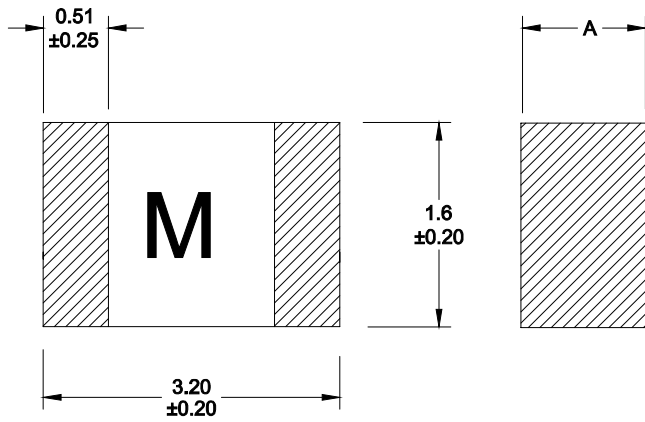
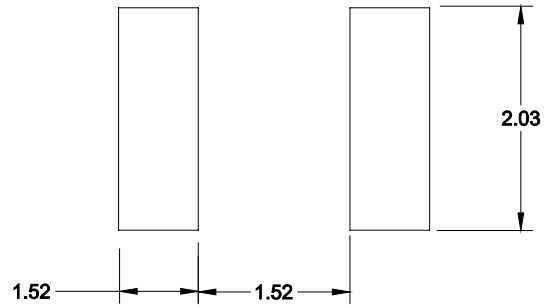


Dimensions—mm



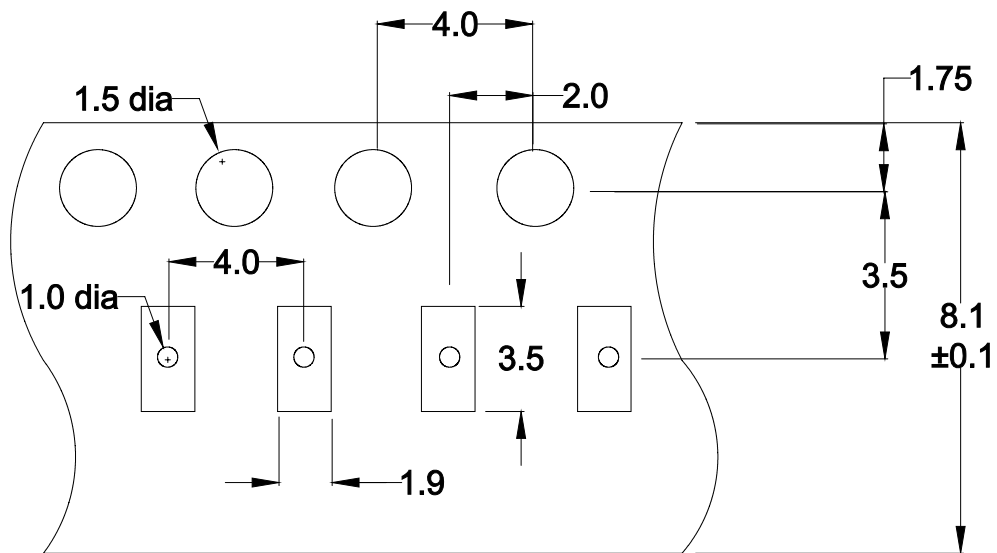
Recommended Pad Layout



| Dimension A      |                  |
|------------------|------------------|
| 250 mA to 500 mA | 750 mA to 30 A   |
| 0.89 +0.20/-0.15 | 0.65 +0.20/-0.15 |

Packaging information- mm

Supplied in tape and reel packaging, 3000 parts per 7" diameter reel.



User Direction of Feed →

I<sup>2</sup>t vs. time curve

