

Features

- 1 & 2 Pole relay interface modules**
- AgCdO contacts for heavy duty switching**
- 49.31-20x0 - 1 Pole 10 A (screw terminal)**
 - 49.52-20x0 - 2 Pole 8 A (screw terminal)**
 - 49.72-20x0 - 2 Pole 8 A (screwless terminal)**
- 15.5 mm wide
 - Ideal interface for PLC and electronic systems
 - AC coils & DC coils
 - Instant ejection of relay using plastic retaining clip
 - Supply status indication and coil suppression module
 - Identification labels
 - 35 mm rail (EN 50022) mounting

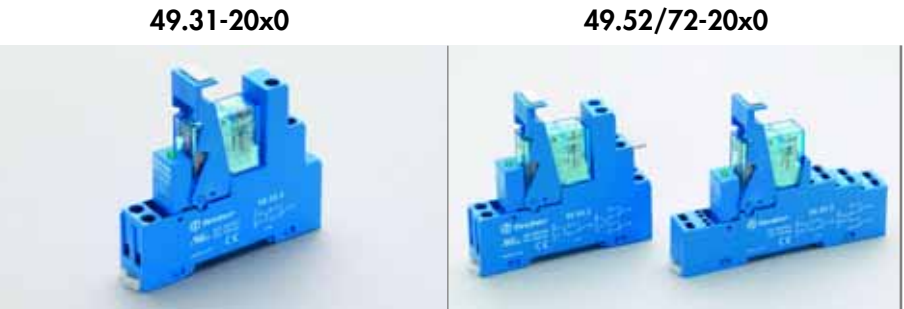
49.31-20x0 / 49.52
Screw terminal

49.72-20x0
Screwless terminal

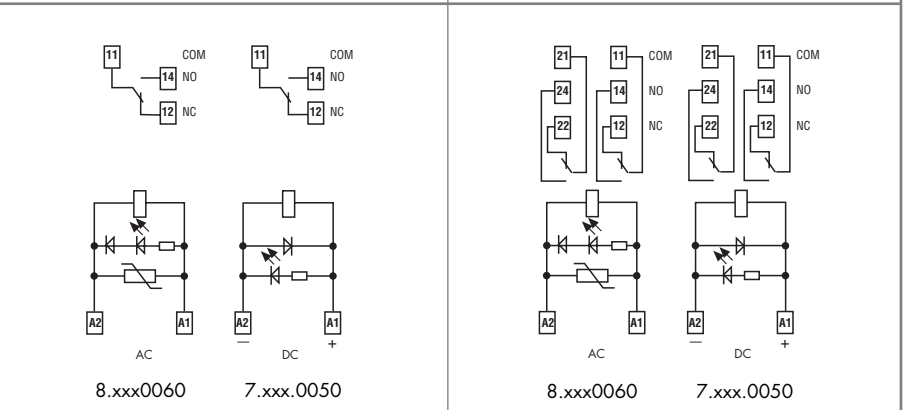


For outline drawing see page 8

Contact specification		49.31-20x0	49.52/72-20x0
Contact configuration		1 CO (SPDT)	2 CO (DPDT)
Rated current/Maximum peak current	A	10/20	8/15
Rated voltage/Maximum switching voltage	V AC	250/400	250/250
Rated load AC1	VA	2,500	2,000
Rated load AC15 (230 V AC)	VA	500	400
Single phase motor rating (230 V AC)	kW	0.37	0.3
Breaking capacity DC1: 30/110/220V	A	10/0.3/0.12	8/0.3/0.12
Minimum switching load	mW (V/mA)	500 (10/5)	500 (10/5)
Standard contact material		AgCdO	AgCdO
Coil specification			
Nominal voltage (U _N)	V AC (50/60 Hz)	12 - 24 - 110 - 120 - 230	12 - 24 - 110 - 120 - 230
	V DC	12 - 24 - 125	12 - 24 - 125
Rated power AC/DC/sens.DC	VA (50 Hz)/W/W	1.2/0.65/0.5	1.2/0.65/0.5
Operating range	AC	(0.8...1.1)U _N	(0.8...1.1)U _N
	DC/sensitiv DC	(0.73...1.5)U _N /(0.73...1.75)U _N	(0.73...1.5)U _N /(0.73...1.75)U _N
Holding voltage	AC/DC	0.8 U _N / 0.4 U _N	0.8 U _N / 0.4 U _N
Must drop-out voltage	AC/DC	0.2 U _N / 0.1 U _N	0.2 U _N / 0.1 U _N
Technical data			
Mechanical life AC/DC	cycles	10 · 10 ⁶ / 20 · 10 ⁶	10 · 10 ⁶ / 20 · 10 ⁶
Electrical life at rated load AC1	cycles	200 · 10 ³	150 · 10 ³
Operate/release time	ms	7/4 (AC) - 12/12 (DC)	7/4 (AC) - 12/12 (DC)
Insulation between coil and contacts (1.2/50 μs)	kV	6 (8 mm)	6 (8 mm)
Dielectric strength between open contacts	V AC	1,000	1,000
Ambient temperature range	°C	-40...+70	-40...+70
Protection category		IP 20	IP 20
Approvals relay (according to type)			



- | | |
|--|--|
| <ul style="list-style-type: none"> • 1 pole, 10 A • AgCdO contact material • Screw terminal • 35 mm rail (EN 50022) mounting | <ul style="list-style-type: none"> • 2 pole, 8 A • AgCdO contact material • Screw terminal and screwless terminal • 35 mm rail (EN 50022) mounting |
|--|--|



8.xxx0060 7.xxx.0050 8.xxx0060 7.xxx.0050

Features

1 Pole relay interface module

AgCdO contacts for heavy duty switching

49.61-20x0 - 1 Pole 16 A (screw terminal)

49.81-20x0 - 1 Pole 16 A (screwless terminal)

AgSnO₂ contacts for heavy duty, high current inrush switching

49.61-40x0 - 1 Pole 16 A (screw terminal)

49.81-40x0 - 1 Pole 16 A (screwless terminal)

- 15.5 mm wide
- Ideal interface for PLC and electronic systems
- AC coils & DC coils
- Instant ejection of relay using plastic retaining clip
- Supply status indication and coil suppression module
- Identification labels
- 35 mm rail (EN 50022) mounting

49.61
Screw terminal



49.81-20x0/40x0
Screwless terminal



For outline drawing see page 8

Contact specification

Contact configuration	1 CO (SPDT)	1 CO (SPDT)
Rated current/Maximum peak current A	16*/30	16*/100 (5 ms)
Rated voltage/Maximum switching voltage V AC	250/400	250/400
Rated load AC1 VA	4,000	4,000
Rated load AC15 (230 V AC) VA	750	750
Single phase motor rating (230 V AC) kW	0.55	0.55
Breaking capacity DC1: 30/110/220V A	16/0.3/0.12	16/0.3/0.12
Minimum switching load mW (V/mA)	500 (5/5)	1,000 (10/10)
Standard contact material	AgCdO	AgSnO ₂

Coil specification

Nominal voltage (U _N)	V AC (50/60 Hz)	12 - 24 - 110 - 120 - 230	12 - 24 - 110 - 120 - 230
	V DC	12 - 24 - 125	12 - 24 - 125
Rated power AC/DC/sens.DC VA (50 Hz)/W/W		1.2/0.65/0.5	1.2/0.65/0.5
Operating range	AC	(0.8...1.1)U _N	(0.8...1.1)U _N
	DC/sensitiv DC	(0.73...1.5)U _N /(0.8...1.5)U _N	(0.73...1.5)U _N /(0.8...1.5)U _N
Holding voltage AC/DC		0.8 U _N /0.4 U _N	0.8 U _N /0.4 U _N
Must drop-out voltage AC/DC		0.2 U _N /0.1 U _N	0.2 U _N /0.1 U _N

Technical data

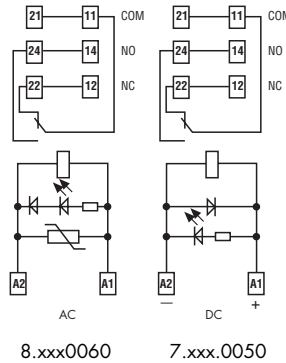
Mechanical life AC/DC	cycles	10 · 10 ⁶ /20 · 10 ⁶	10 · 10 ⁶ /20 · 10 ⁶
Electrical life at rated load AC1	cycles	100 · 10 ³	100 · 10 ³
Operate/release time	ms	7/4 (AC) - 12/12 (DC)	7/4 (AC) - 12/12 (DC)
Insulation between coil and contacts (1.2/50 μs)	kV	6 (8 mm)	6 (8 mm)
Dielectric strength between open contacts V AC		1,000	1,000
Ambient temperature range	°C	-40...+70	-40...+70
Protection category		IP 20	IP 20

Approvals relay (according to type)

49.61/81-20x0



- 1 pole, 16 A
- AgCdO contact material
- Screw terminal and screwless terminal
- 35 mm rail (EN 50022) mounting

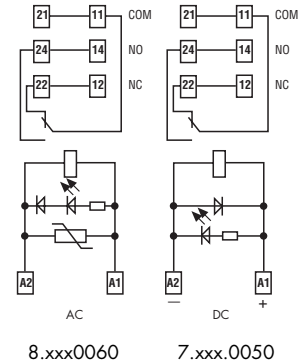


* For currents >10 A, contact terminals must be connected in parallel (21 with 11, 24 with 14, 22 with 12).

49.61/81-40x0



- 1 pole, 16 A
- AgSnO₂ contact material
- Screw terminal and screwless terminal
- 35 mm rail (EN 50022) mounting



* For currents >10 A, contact terminals must be connected in parallel (21 with 11, 24 with 14, 22 with 12).