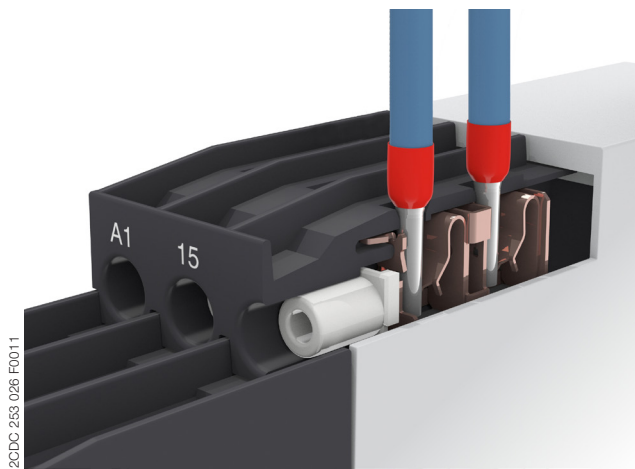


Connection technology

Maintenance free Easy Connect Technology with push-in terminals

Type designation CM-xxS.yyP

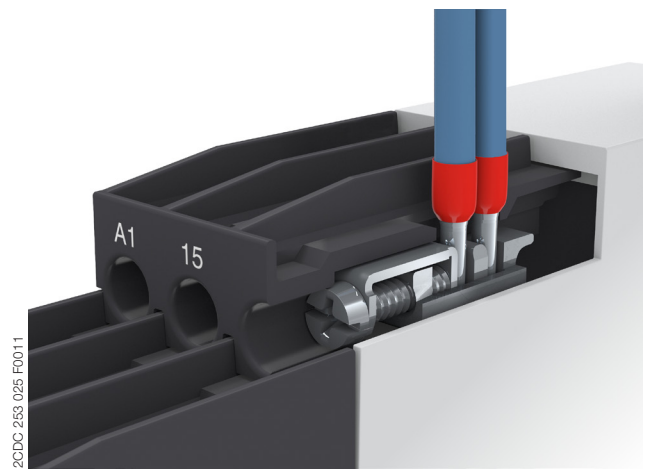


Push-in terminals

- Tool-free connection of rigid and flexible wires with wire end ferrule
- Easy connection of flexible wires without wire end ferrule by opening the terminals
- No retightening necessary
- One operation lever for opening both connecting terminals
- For triggering the lever and disconnecting of wires you can use the same tool (Screwdriver according to DIN ISO 2380-1 Form A 0.8 x 4 mm (0.0315 x 0.157 in), DIN ISO 8764-1 PZ1 \varnothing 4.5 mm (0.177 in))
- Constant spring force on terminal point independent of the applied wire type, wire size or ambient conditions (e. g. vibrations or temperature changes)
- Opening for testing the electrical contacting
- Gas-tight

Approved screw connection technology with double-chamber cage connecting terminals

Type designation CM-xxS.yyS



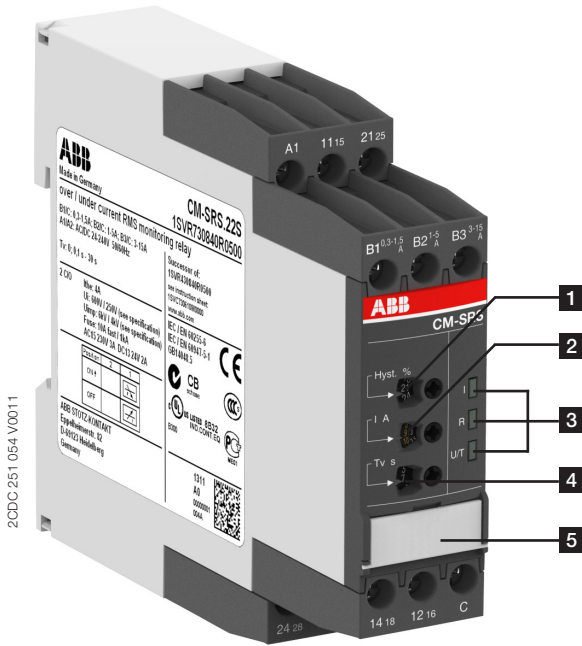
Double-chamber cage connecting terminals

- Terminal spaces for different wire sizes
- One screw for opening and closing of both cages
- Pozidrive screws for pan- or crosshead screwdrivers according to DIN ISO 2380-1 Form A 0.8 x 4 mm (0.0315 x 0.157 in), DIN ISO 8764-1 PZ1 \varnothing 4.5 mm (0.177 in)

Both the Easy Connect Technology with push-in terminals and screw connection technology with double-chamber cage connecting terminals have the same connection geometry as well as terminal position.

Functions

Operating controls



1 Adjustment of the hysteresis (MIN = Default)

2 Adjustment of the threshold value (MIN = Default)

3 Indication of operational states

U/T: green LED – control supply voltage/timing

R: yellow LED – relay status

I: red LED – over- / undercurrent

4 Adjustment of the tripping delay T_V

5 DIP switches (see DIP switch functions)

Application

The current monitoring relays CM-SRS.2 are designed for use in single-phase AC and/or DC systems for over- or undercurrent monitoring. The devices are available with different supply voltage ranges, provide an adjustable tripping delay and work according to the open-circuit principle.

Operating mode

The CM-SRS.2 with 2 c/o (SPDT) contacts are available in 2 versions with 3 measuring ranges: 3-30 mA, 10-100 mA, 0.1-1 A (CM-SRS.21) and 0.3-1.5 A, 1-5 A, 3-15 A (CM-SRS.22). The measuring range is selected by connecting the monitored wire to the corresponding terminal B1/B2/B3-C.

The units are adjusted with front-face operating controls. The selection of over- or undercurrent monitoring is made with a DIP switch. Potentiometers, with direct reading scale, allow the adjustment of the threshold value I , the hysteresis % and the tripping delay T_V . The hysteresis % is adjustable within a range of 3 to 30 % of the threshold value and the tripping delay T_V over a range of instantaneous to a 30 s delay. Timing is displayed by a flashing green LED labelled U/T.