

# PRESSURIZATION AND PURGING SYSTEM F800

## 1.0.0 Function

- 1.1.0 Pressurization and Purging System with Leakage Compensation
- 1.2.0 Pressurization and Purging System with Continuous Flow
- 1.3.0 Controls
  - 1.3.1 "Ready" Indicator Lamp or LED
  - 1.3.2 "On" Indicator Lamp, LED, Switch
  - 1.3.3 "Bypass" Key Switch

## 2.0.0 Operating Mode

- 2.1.0 Leakage
  - 2.1.1 Changing the Pressure Monitor Setting
  - 2.1.2 Nozzle Configuration
  - 2.1.3 Determine Purge Time
  - 2.1.4 Set Purge Time

## 2.2.0 Continuous Flow

- 2.2.1 Nozzle Configuration

## 3.0.0 Installation

- 3.1.0 Pressure Monitor
- 3.2.0 Valve Changeover
- 3.3.0 Control Unit

## 4.0.0 Pressure Switch Test

- 4.1.0 Pressure Switch P2
- 4.2.0 Pressure Switch P3
  - 4.2.1 Continuous Flow
  - 4.2.2 Leakage Compensation
- 4.3.0 Overpressure Switch P1

## 5.0.0 Specifications

## 1.0.0 Function

### 1.1.0 Pressurization and Purging System with Leakage Compensation

The pressurization and purging system (Ex) p is an Ex protection system which provides a possibility to operate unapproved equipment in Ex environments.

It consists of:

- Control Unit FS-810-A or FS-811-A
- Pressure Monitor DW-812
- Solenoid Valve Size A (Nozzle  $\leq$  3 mm Housing  $<$  1000L)  
Size B (Nozzle  $\leq$  6 mm Housing  $<$  5000L)

The non-Ex equipment is built into an enclosure which conforms to protection system IP 55.

When the unit is switched on, voltage is applied to the valve switchover via the Control Unit. The air resp. the inert gas may enter the pressurized enclosure through a large-diameter nozzle. This purging medium also passes through Pressure Monitor DW-812 where Pressure Switch P2 closes and initiates the timing phase in the Control Unit.

The purge time which is controlled by the timing phase depends on the volume of the enclosure, on the existing pre-pressure at the valve, and on the nozzle diameter, and may be read from the purge time diagrams.

After timing-out of the purge cycle the valve is switched to a smaller-diameter nozzle. The resulting ingoing air flow will be sufficient to maintain an overpressure of 0,8 mbar in the enclosure. This overpressure is continuously monitored by the Control Unit via Pressure Switch P3.

The Control Unit will then apply the line voltage to the equipment housed in the pressurized enclosure. If the overpressure in the enclosure should fall below 0,8 mbar, e.g. if the enclosure is being opened, or if the overpressure in the enclosure should exceed 15 mbar (Pressure Switch P1), the line voltage is disconnected from the pressurized equipment, and a new purge cycle is initiated.

The switching state of Pressure Switches P2 and P3 is indicated by LEDs on the Pressure Monitor. In addition, the remaining purge time can be read from a 4-digit display on the control Unit. The air outlet of the Pressure Monitor may lead directly into the hazardous area

### 1.2.0. Pressurization and Purging System with Continuous Flow

This operating mode is used when an explosive atmosphere may be created by built-in analyzers in the enclosure itself.

### 1.3.0 Controls

Controls may be directly built into the pressurized enclosure (Type BT.814.0. and BT.814.1). If this is not possible or desired, a control and indicator panel is available for separate installation (Type BT.813.0 and BT.813.1). This version has the indicator lamps replaced by light-emitting diodes (LEDs) with intrinsically safe drive circuits.

#### 1.3.1 "Ready" Indicator or LED

The "Ready" signal indicates that the purge cycle has been completed and that the pressurized equipment may be switched on.

#### 1.3.2. "On" Indicator Lamp, LED, Switch

The "on" signal indicates that the pressurized unit has been switched on. The "On" switch is only operative with the system in the "Ready" operating state.

#### 1.3.3 "Bypass" Key Switch

The "Bypass" key switch can be used to bypass the automatic control system. This means that the pressurized unit can be switched on for adjustments even when the door of the enclosure is open. Prior to using this possibility always ensure that no explosive atmosphere is present.

## 2.0.0 Operating Mode

### 2.1.0 Leakage Compensation

#### 2.1.1 Changing the Pressure Monitor Setting

The operating mode setting on the Pressure Monitor can be determined from the two screws S1 and S2 after the cover has been removed.

Leakage Compensation

S1 blue

S2 red

Continuous Flow

S1 red

S2 blue

The setting can be changed by simply reversing the two screws. (See page 9).

#### 2.1.2 Nozzle Configuration

Nozzle D1 is 0.7 mm standard. This size can be varied depending on the degree to which the enclosure is airtight. The size of nozzle D2 depends on the volume of the enclosure, on the pre-pressure, and on the purge time. The nozzle size can be determined from the purge time diagram by assuming a possible pre-pressure and the desired purge time (see page 14).

In addition, the relationship between the nozzle diameter and the KV value of the purging medium valve has to be considered. If the KV value is too small, either the nozzle diameter or the solenoid valve type used has to be changed.

Nozzle diameter in mm      Required KV value of the valve

Size A	2	> 4
Valve	3	> 9
	4	~15
Size B	6	> 30
Valve	5	> 22

Dimensions see page 13.

#### 2.1.3 Determine Purge Time

Unless the purge time has not been set as under 2.1.2, it results from the diagram by assuming pre-pressure and nozzle diameter D2, (see page 5)

#### 2.1.4 set Purge Time

The purge time can be set on the Control Unit in seconds increments from 0 to 9999 by means of four rotary switches.

### 2.2.0 Continuous Flow

#### 2.2.1 Nozzle Configuration

Same procedure as under 2.1.2, except that the nozzle diameter should now be chosen depending on the dilution factor desired but should not be less than 2 mm.

Prepressure (bar) (10 <sup>5</sup> Pa)	Flow rate (L/S) (10 <sup>3</sup> m <sup>3</sup> /5) e air = 1,293 Kg/m <sup>3</sup>									
	Nozzle diameter mm									
	p,3	0,5	0,7	1	1,5	2	3	4	5	6
1,5	0,0275	0,076	0,149	0,304	0,693	1,208	2,676	4,653	7,060	9,796
2	0,0338	0,094	0,184	0,374	0,838	1,480	3,270	5,651	8,511	11,098
2,5	0,0391	0,109	0,213	0,433	0,968	1,708	3,759	6,471	9,685	13,199
3	0,0438	0,121	0,238	0,484	1,063	1,908	4,186	7,177	10,682	14,445
3,5	0,0480	0,133	0,261	0,530	1,195	2,087	4,569	7,804	11,554	15,511
4	0,0518	0,144	0,282	0,573	1,280	2,252	4,917	8,370	12,330	16,441
4,5	0,0554	0,154	0,301	0,612	1,367	2,404	5,239	8,883	13,032	17,263

### 3.0.0 Installation

#### 3.1.0 Pressure Monitor

The Pressure Monitor should be mounted to the enclosure such that the distance between purging medium inlet and Pressure Monitor is maximized. This is intended to avoid insufficiently purged zones in the enclosure. The Pressure Monitor is operated in a horizontal position.

#### 3.2.0 Valve Changeover

The two nozzles D1 and D2 serve also for mounting of the 3/2-way valve. If a non-Ex valve is to be mounted inside the enclosure, the valve should be connected in parallel to the "Ready" lamp, and the nozzles D1 and D2 should be reversed.

To ensure reliable operation the valve changeover should be preceded by a pressure reducing valve with an oil and water separator.

#### 3.3.0 Control Unit

The Ex version (FS.811) of the Control Unit may be installed in direct proximity of the enclosure. The non-Ex version (FS.810) is designed for mounting outside the Ex area.

In the latter case the cable connection of the solenoid valve must be extended by means of an Ex-protected junction box.

The wiring diagramm is shown on page 15. Observe the regulations by DIN 57100 and DIN 57165 when establishing the system cable connections.

#### 4.0.0 Pressure Switch Test

##### 4.1.0 Pressure Switch P2 (see page 10)

The Pressure Monitor can be adjusted after the cover has been removed. Set the purge time to > 60 secs on the Control Unit.

Unscrew the two hose connection glands M2 and M3 and connect them to an U-tube

Then slowly increase the pre-pressure by adjusting the pre-pressure reducing valve until the "2.5 mbar" LED lights up. The pressure gauge should now read a differential pressure of 2.5 mbar. If not, the reading may be corrected by adjusting screw P2 (clockwise = faster response; counterclockwise = slower response).

##### 4.2.0 Pressure Switch P3

The operating mode setting of the Pressure Monitor is important for the next step.

##### 4.2.1 Continuous Flow (see page 10)

Unscrew both hose connection glands M2 and M3 and connect them to an U-tube gauge. Then set the purge time to approx. 10 Secs on the Control Unit.

The inflow of pressurised air will then initiate a purge cycle. After 10 secs the solenoid valve changes states with an audible click. If it returns to the purge position immediately, adjust screw P3 clockwise until the solenoid valve remains in its "Ready" state after time-out of the purge cycle. Then slowly reduce the pre-pressure again until the purging medium valve switches back to the purge position. The differential pressure reading of the pressure gauge which has been taken shortly in advance of the switching over corresponds to the switching point of the pressure switch.

If it exceeds 0,8 mbar, adjust screw P3 clockwise. Repeat the procedure after any correcting action until the desired result is achieved.

##### 4.2.2 Leakage Compensation (see page 11 )

Disconnect M3 from the U-tube gauge and close M3. Set the purge time to approx. 10 secs on the Control Unit. The inflow of pressurised air initiates a purge cycle. After 10 secs the solenoid valve changes states with an audible click.

If it returns to the purge position immediately, adjust screw P3 clockwise until the solenoid valve remains in its "Ready" state after timing-out of the purge cycle.

Slowly reduce the pre-pressure again until the purging medium valve switches back to its purge position. The differential pressure reading of the pressure gauge which has been taken shortly in advance of the switching-over corresponds to the switching point of the pressure switch. If it exceeds 0,8 mbar, adjust screw P3 counterclockwise. Repeat the procedure after any correcting action until the desired result is achieved.

##### 4.3.0 Overpressure Switch P1 (see page 12)

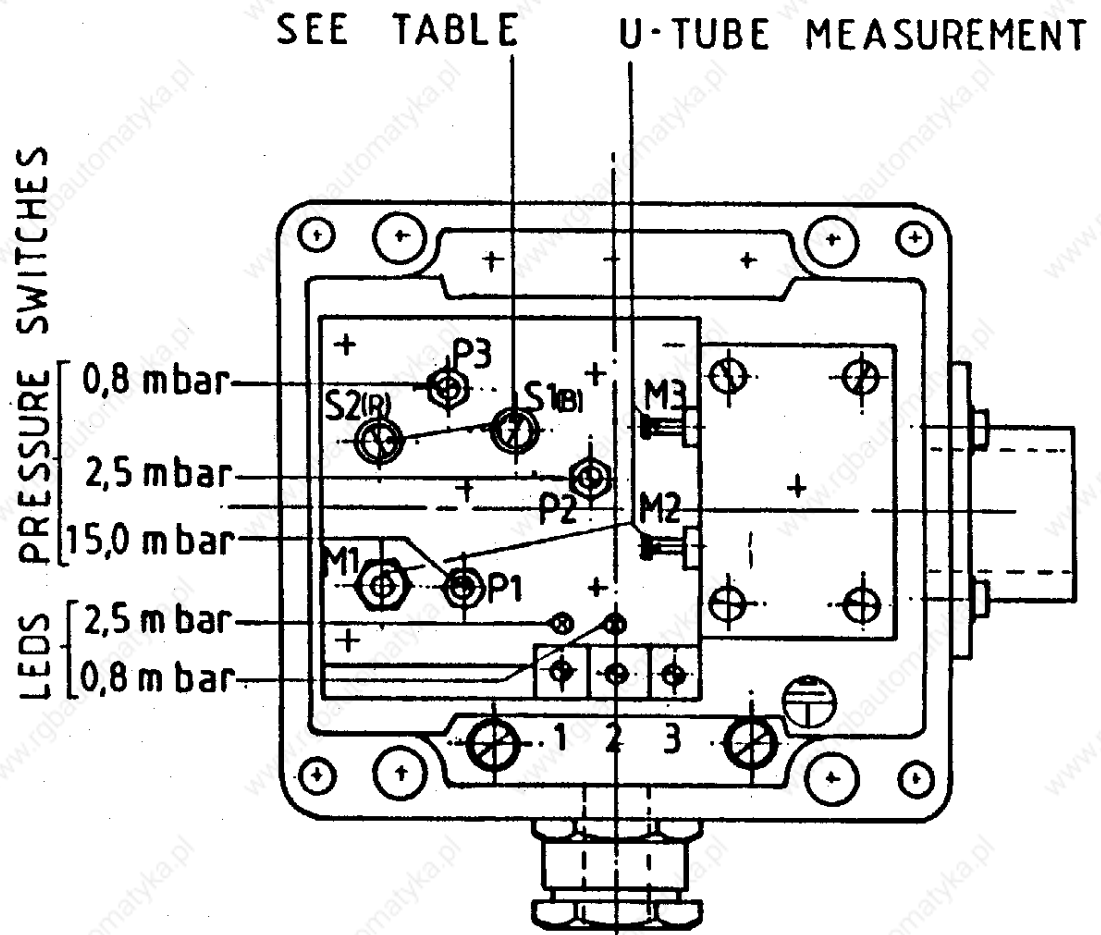
To adjust the Overpressure Switch P1, connect hose plug connection M1 to one side of the U-tube gauge using a T-piece.

Feed air into the third connection of the T-piece via a pressure reducing valve. P1 should be adjusted during the purge cycle of pressurisation. The pressure reduce valve is adjusted so that the U-tube gauge reads 15,0 mbar. At this pressure the two LEDs in the Pressure Monitor should extinguish. If the switching point setting is too high, adjust P1 counterclockwise.

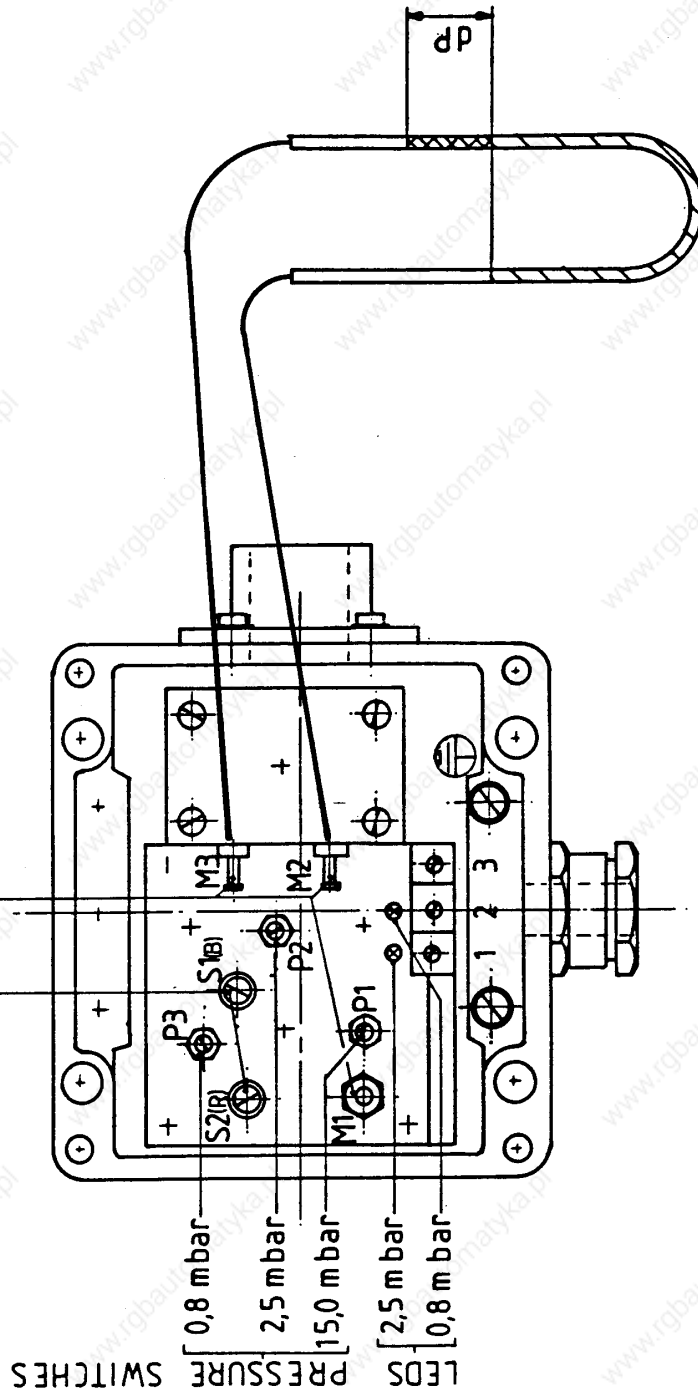
## 5.0.0 Specifications

Control	FS-810-A
Dimensions LxWxH	250x160x90
Material	Makrolon
Protection system	IP 54
Ex protection	(EEx ib) II C T6
Control circuit	
Open circuit	
Voltage	U 10 V
	La $\geq$ 1 mH
	Ca $\geq$ 380nF
	This results in a maximum possible
	distance of 1.9 km between Control
	Unit and Pressure Monitor.
"Ready" LED	For direct LED drive
"On" LED	Forward current 12 mA
Load circuit AC	U = 250 V, $\geq$ 4 A, cos 0.7
DC	U = 60 V, $\geq$ 0.5 A, UR = 200 ms
Installation	outside Ex area
Purge Time	Digitally adjustable to 9999 sec
	Display indication of remaining purge
	time
Power consumption	2.5 VA without external loads
Supply voltage	24 V, 42 V, 110 V, 220 V, 48-62 Hz
Environmental	
temperature range	-20...+50°C

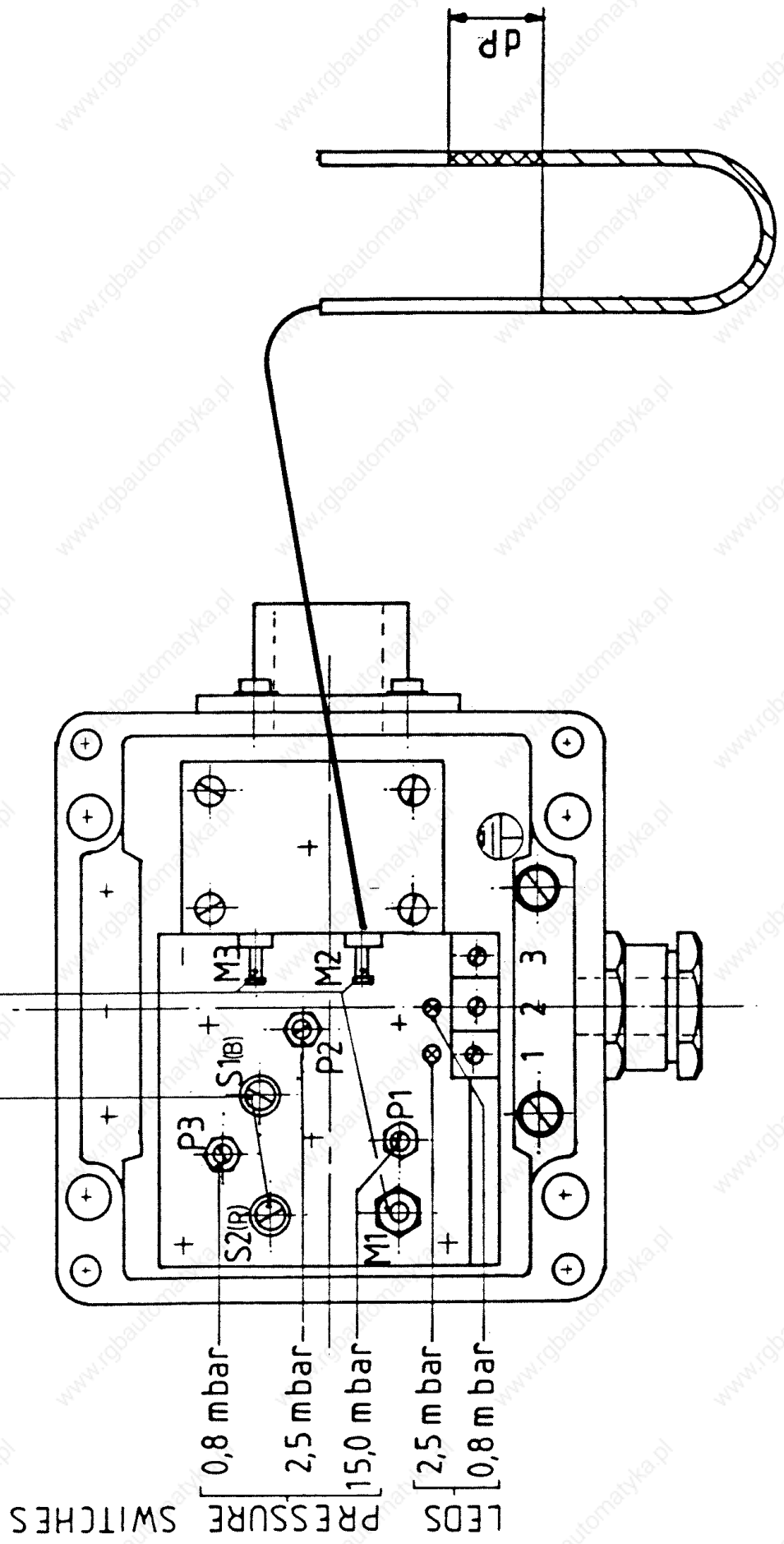




SEE TABLE U-TUBE MEASUREMENT

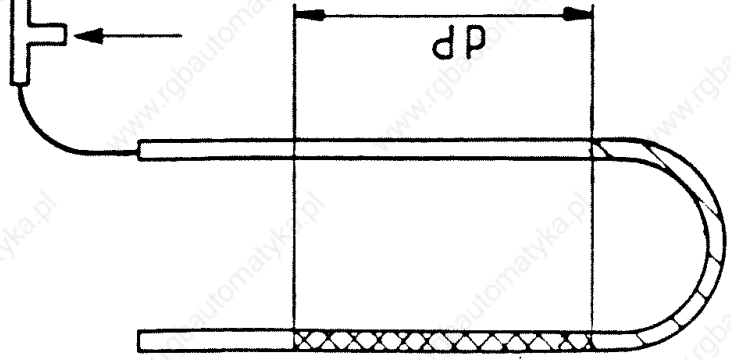
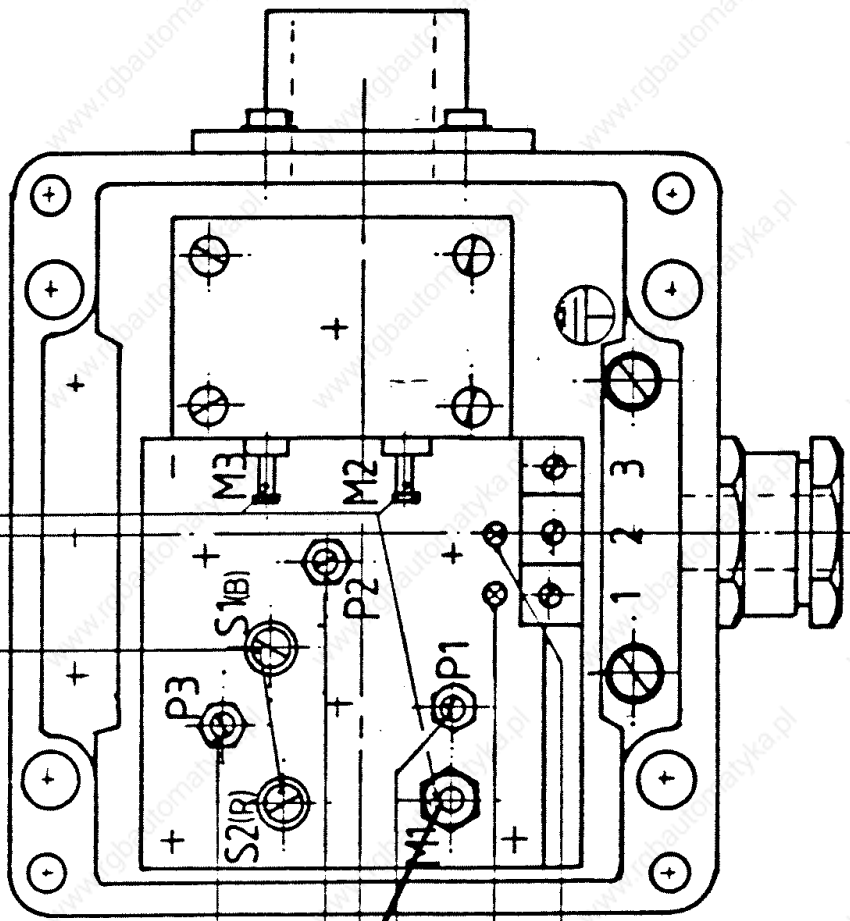


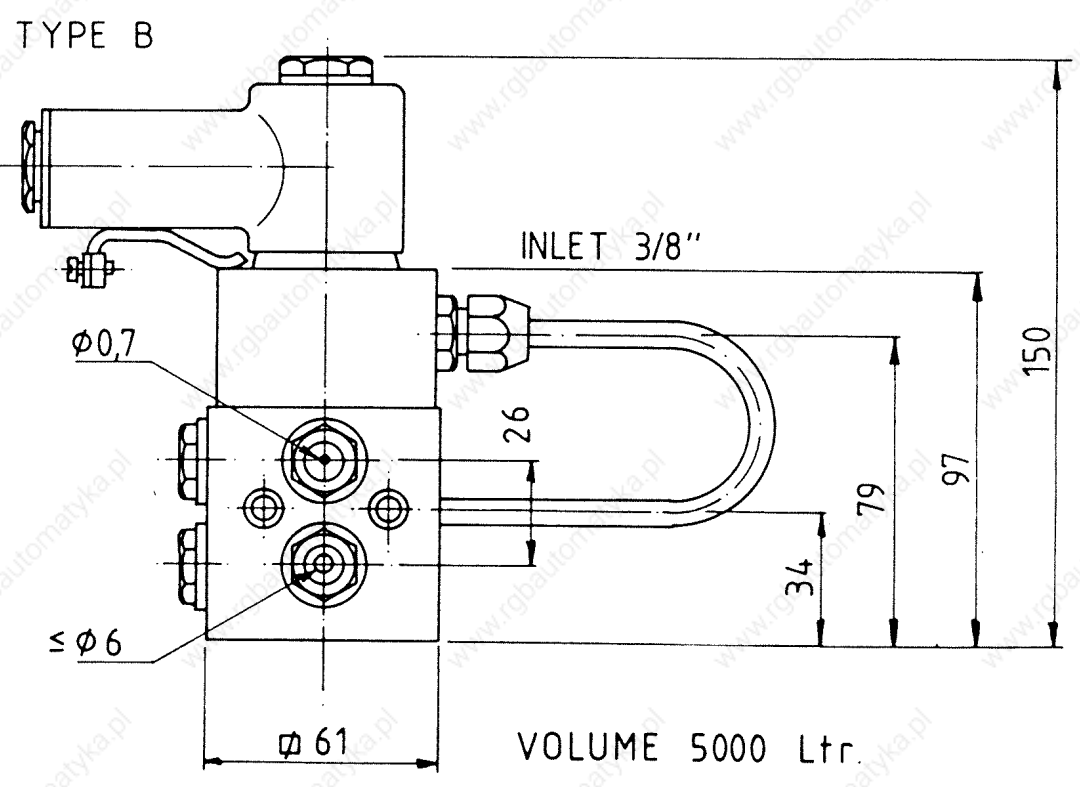
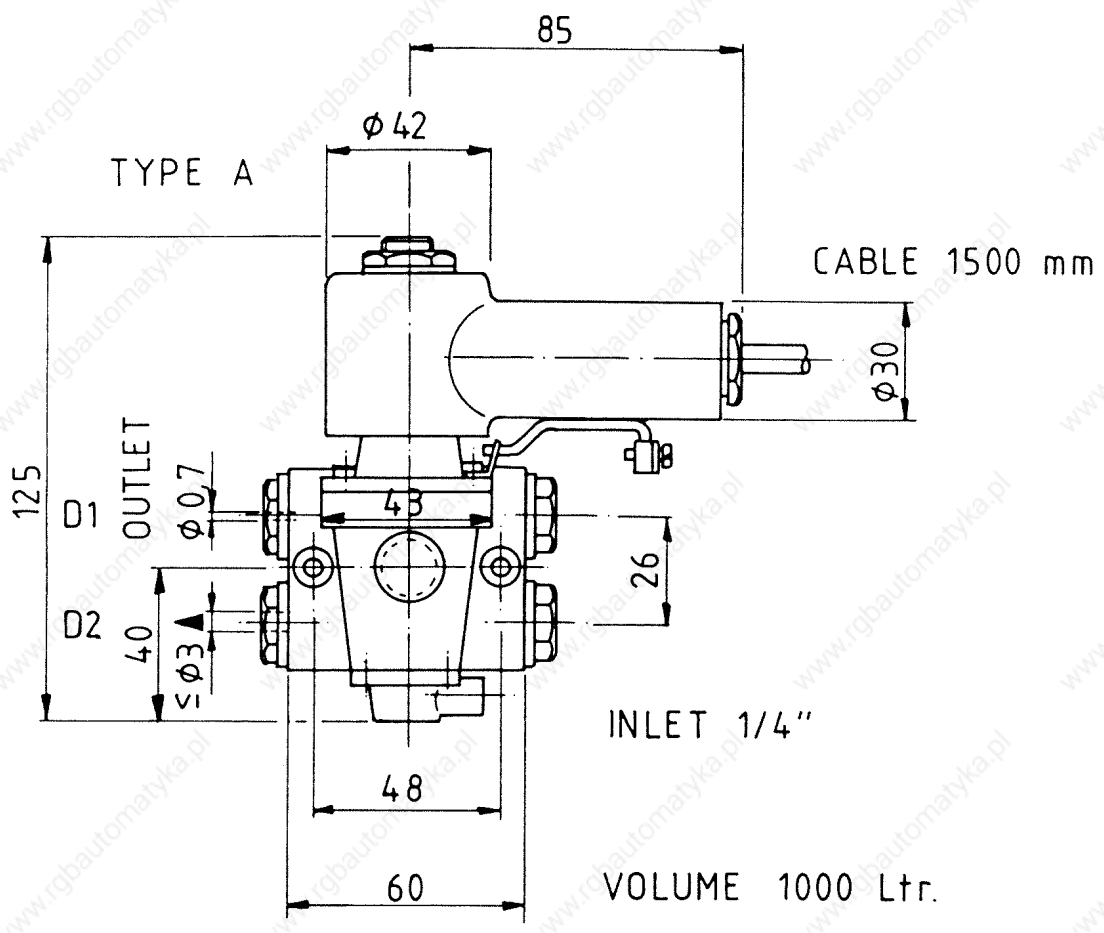
SEE TABLE U-TUBE MEASUREMENT



SEE TABLE U-TUBE MEASUREMENT

LEDS [ 0,8 mbar  
 [ 2,5 mbar  
 [ 15,0 mbar  
 [ 2,5 mbar  
 [ 0,8 mbar ]  
 PRESSURE SWITCHES





WITH SYSTEMS AT CONSTANT FLOW:  
 NOZZLE 0,7 mm TO BE CHANGED BY 2 mm

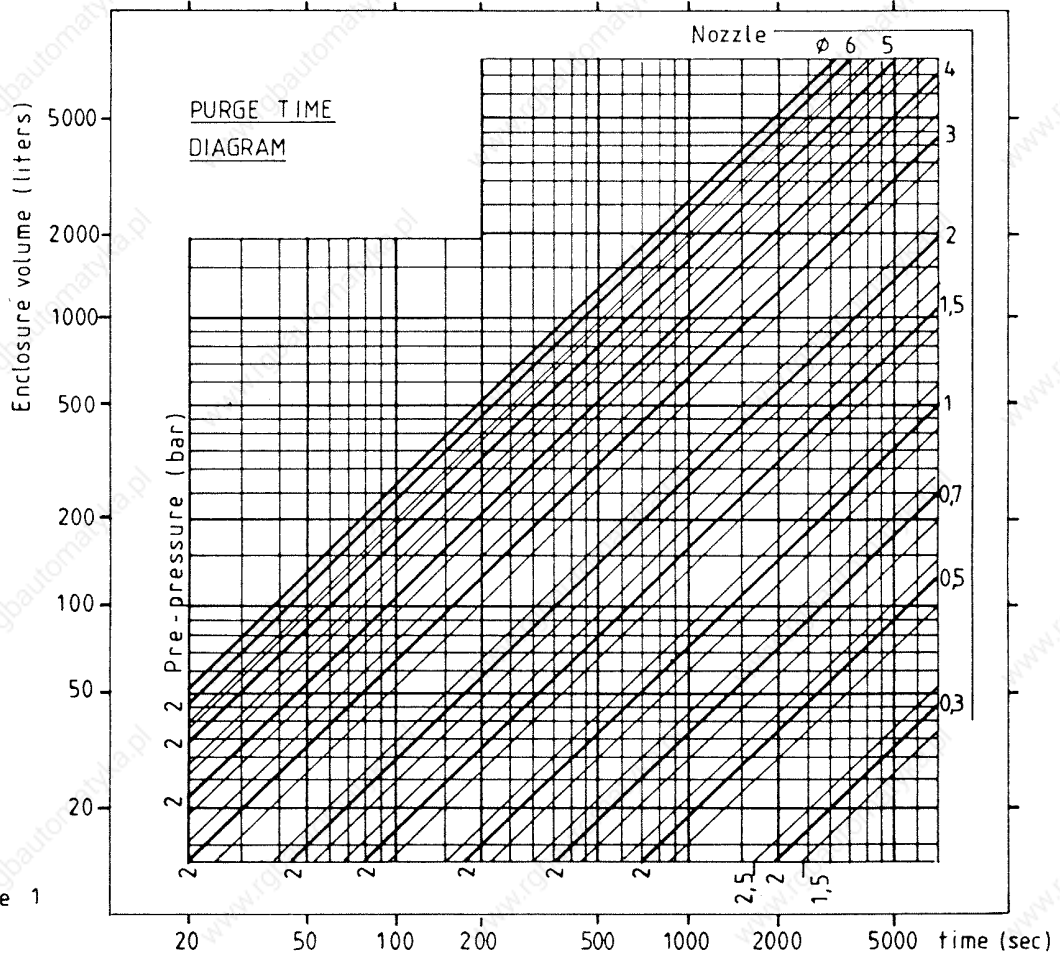


Figure 1

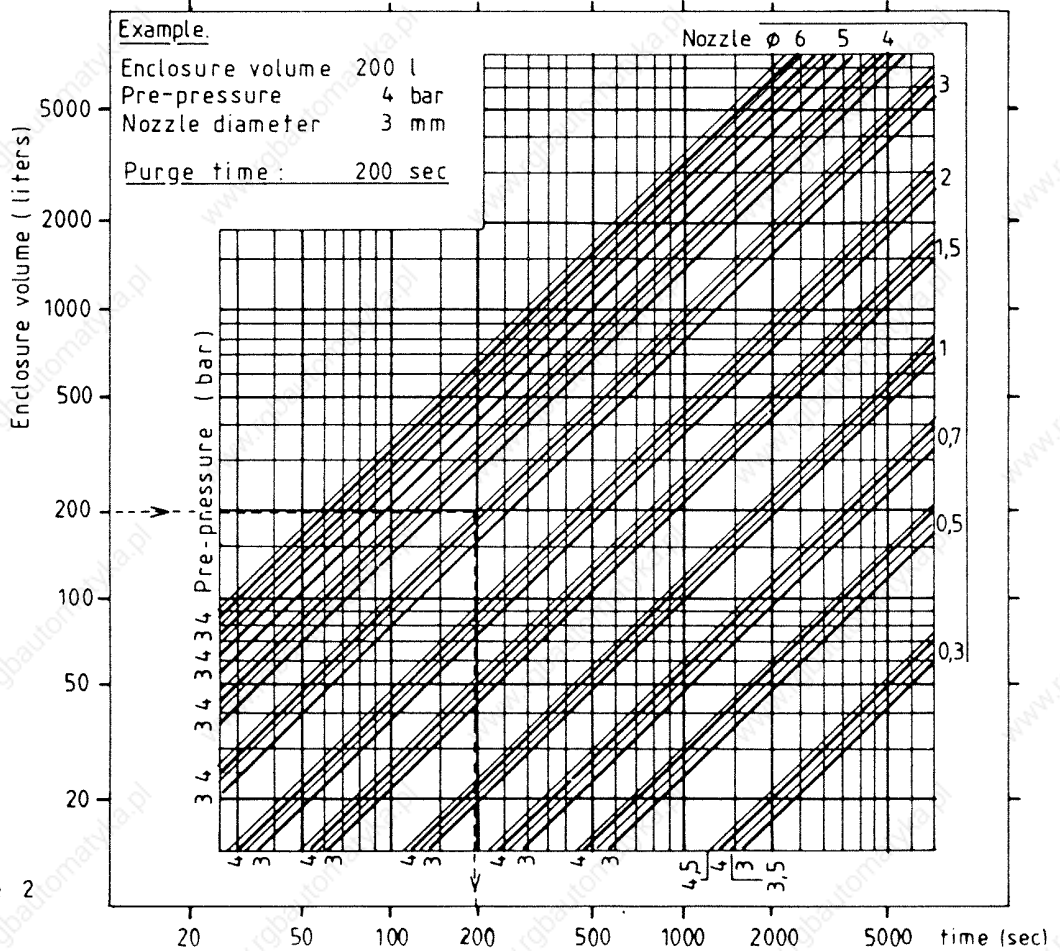


Figure 2

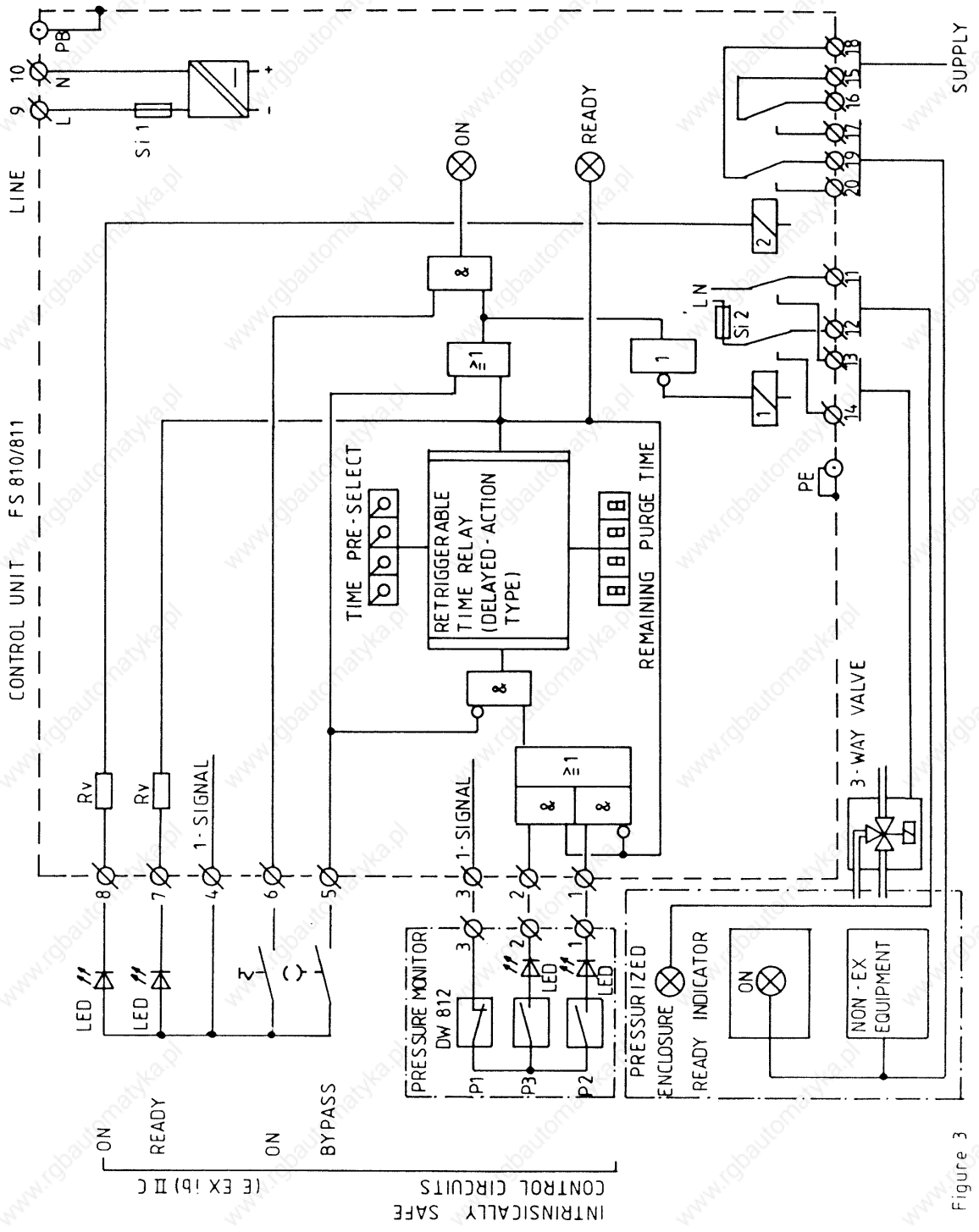


Figure 3

Physikalisch-Technische Bundesanstalt -  
Physico-Technical Federal Board

PARTIAL CERTIFICATE PTB  
Nr.Ex- 82/1107 U

This Certificate is valid for the  
System of Automatic Excess Pressure Enclosure EEx p type F 800  
of Messrs. Hessler Electronic GmbH  
D-6731 Lindenberg/Pf.

Both engineering design and the various admissible motiels of this  
electric equipment are laid dow~ in the annex  
to this Partial Certificate.

The Physikalisch-Technische Bundesanstalt - Physico Technical  
Federal Board - as the testing authority as per item 14 of the  
Regulations of the Council of zne European Communities of 18.  
Decernber 1975 (76/117/EEC) herewith confir~ms the conformity of  
this electric equip ment with the harmonized European standarcis

EN 50 016-1977 / VDE 0171 part 3/5, 78 Excess Pressure  
Enclosure "p" sections 5, 6 and  
Annex A 2b

The automatic excess pressure enclosure will be marked by the  
following designation

PTB No. Ex-82/1107 U

The manufacturer will be held responsible for each com ponent  
marked as above to coincicie in its engineering design with the  
test documents mentioned in this Certi ficate. He will also be  
responsible for its having passed all component tests required.

This Partial Certificate is no certificate on conformity or  
control; it will only serve as a base for issuing the complete  
test certificates.



The system of automatic excess pressure enclosure serves as an auxiliary device necessary for producing, monitoring and safely maintaining excess pressure with excess pressure enclosed electric equipment.

By order

Braunschweig, 29.12.1982

signature

(Dipl.-Ing. Löper)

Physikalisch-Technische Bundesanstalt -  
Physico-Technical Federal Board

A N N E X

to Partial Certificate PTB No. Ex-82/1107 U

Engineering design

System of automatic excess pressure enclosure comprising:

- a) control device optional  
type FS 810 (PTB No. Ex-8212214) for installation  
outside the range subject to explosion hazards  
  
type FS 811 (PTB Ivo. Ex-82/2216) for installation  
inside the range subject to explosion hazards with  
switching circuits of ignition protective design intrinsic  
safety "i" for connection to over pressure indicator type DW  
812
- b) overpressure indicator type Dw 812  
with pressure switch(es) and flow indicator(s) for connection  
to control device  
to be installed at the excess pressure enclosed casing
- c) solenoid valve (acc. to separate Test Certificate) for  
preparing the ignition protective gas

If necessary the pressure indicator type DW 812 may be  
supplemented by a spark-condensing chamber as per EN 50 016 of annex  
2b.

The system of automatic excess pressure enclosure is available for

- a) excess pressure enclosure with permanent rinsing by ignition  
protective gas
- b) excess pressure enclosure with compensation for leakage losses

Test documents

1. Description (4 pages)

Drawing no. DW 812.900.4 (13 pages)	)
DW 812.600.4	)
DW 812.600.4 (parts list)	)
DW 812.400.4	)
DW 812.401.4	) signed on
DW 812.402.4	) 18.11.1982
DW 812.403.4	)
DW 812.500.4	)
DW 812.601.4	)
DW 812.601.4 (parts list)	)
DW 812.404.4	)
DW 812.405.4	)
DW 812.407.4	)

DW 812.408.4 )  
DW 812.602.4 )  
DW 812.602.4 (parts list) )signed on  
DW 812.409.4 )18.11.1982  
DW 812.410.4 )  
DW 812.411.4 )  
DW 812.412.4 )  
DW 812.501.4 )

Physikalisch-Technische Bundesanstalt -  
Physico-Technical Federal Board

### 1. ADDENDUM

to Partial Certificate PTB No. EX-82/1107 U

of Messrs. Hessler Electronic GmbH  
D-6731 Lindenberg/Pf.

Modifications and/or supplements:

1. Modification of the function of the control device type  
FS 810 / FS 811 acc. to drawing No. FS.810.101.3
2. The diaphragm aperture of the pressure indicator type DW 812 can  
be varied within the range of  $\varnothing 2 \dots 25$  mm.

Supplement to the notes:

6. Leading off the ignition protective gas may enã in the range of  
explosion hazards (ãirectly at the pres sure indicator). Due to  
the cesign of the pressure indicator, no spark or no  
ignitable particle can escape anci quick penetration into the  
surrounding atmosphere is efficiently prevented.

#### Test documents

Drawing no. FS.810.101.3	)
FS 810.200.4	)
FS 810.301.4	)signed on
FS 810.301.4 (parts list) (2 p.)	)21.10.1983
DW 812.405.4	)

By order

signature

(Dipl.-Ing.Löper)

Braunschweig, 21.12.1983

Physikalisch-Technische Bundesanstalt -  
Physico-Technical Federal Board

## 2. ADDENDUM

to Partial Certificate PTB no. Ex-82/1107 U

of Messrs. Hessler Elektronik GmbH  
D-6734 Lindenberg/Pf.

### Modifications and supplements

1. Modification of the company's name to read  
Gönnheimer Elektronik GmbH  
D-6734 Lambrecht/Pf.
  
2. Amendment and extension of the engineering design
  - a) control device optional
    - type FS 810 (PTB no. Ex-82/2114) for installation  
outside the range subject to explosion hazards
  
    - type FS 811 (PTB no. Ex-82/2116) for installation  
inside the range subject to explosion hazards
  
    - type FS 821 (PTB no. Ex-88.B.2022) for installation  
inside the range subject to explosion hazards
  
  - b) control panel type BT 813 ... 815  
for connection to control device with circuits of ignition  
protective design intrinsic safety "i"

### Supplement to the notes

7. For designs with "bridging switch", the user will be, duly informed as follows:

Putting the electric equipment "bridging switch" into operation calls for permission of the shop manager or of his deputy. Permission will be granted only after making sure that there exists no explosive atmosphere or when all protective measures against all explosion hazards have been taken ("permit to fire").

### Test document

Certificate of Conformity PTB no. Ex-88.B 2022

By order

Braunschweig, 19.09.88

Signature

Dipl.-Ing. Löper

# Physikalisch-Technische Bundesanstalt



## TEILBESCHEINIGUNG

PTB Nr. Ex-88.B.1019 U

Diese Bescheinigung gilt für die  
Überdruckkapselung EEx p Typ F 800

der Firma Gönzheimer Elektronik GmbH  
D-6734 Lambrecht/Pfalz

Die Bauart dieses elektrischen Betriebsmittels sowie die verschiedenen zulässigen Ausführungen sind in der Anlage zu dieser Teilbescheinigung festgelegt.

Die Physikalisch-Technische Bundesanstalt bescheinigt als Prüfstelle nach Artikel 14 der Richtlinie des Rates der Europäischen Gemeinschaften vom 18. Dezember 1975 (76/117/EWG) die Übereinstimmung dieses elektrischen Betriebsmittels mit den harmonisierten Europäischen Normen.

EN 50 016:1977+A1 (VDE 0170/0171 Teil 3/9.80) Überdruckkapselung "p"  
- Abschnitte 5, 6 und Anhang A 2b -

Der Druckwächter Typ DW 812 ist mit dem folgenden Kennzeichen zu versehen:

**PTB Nr. Ex-88.B.1019 U**

Der Hersteller ist dafür verantwortlich, daß jedes derart gekennzeichnete Betriebsmittel in seiner Bauart mit den in der Anlage zu dieser Bescheinigung aufgeführten Prüfungsunterlagen übereinstimmt und daß die vorgeschriebenen Stückprüfungen erfolgreich bestanden wurden.

Diese Teilbescheinigung ist keine Konformitäts- oder Kontrollbescheinigung; sie dient lediglich als Grundlage zur Ausstellung der vollständigen Prüfbescheinigungen.  
Dieses Bauteil darf nicht mit dem gemeinschaftlichen Unterscheidungszeichen gemäß Anhang II der Richtlinie der Kommission vom 16.01.1984 (84/47/EWG) gekennzeichnet werden.  
Die Überdruckkapselung EEx p Typ F 800 dient als Hilfseinrichtung, die zur Erzeugung, Überwachung und sicheren Aufrechterhaltung des Überdruckes bei überdruckgekapselten elektrischen Betriebsmitteln erforderlich ist.

Im Auftrag

Dipl.-Ing. Löper



Braunschweig, 19.09.88

Prüfbescheinigungen ohne Unterschrift und ohne Dienststempel haben keine Gültigkeit.  
Die Bescheinigungen dürfen nur unverändert weiterverbreitet werden.

Auszüge oder Änderungen bedürfen der Genehmigung der Physikalisch-Technischen Bundesanstalt, Bundesallee 100, Postfach 33 45, D-3300 Braunschweig.

# Physikalisch-Technische Bundesanstalt

## A N L A G E

### zur Teilbescheinigung PTB Nr. Ex-88.B.1019 U

#### Bauart

Überdruckkapselung EEx p Typ F 800 bestehend aus:

a) Steuergerät wahlweise

Typ FS 810 (PTB Nr. Ex-82/2114) für Installation  
außerhalb des explosionsgefährdeten Bereiches

Typ FS 821 (PTB Nr. Ex-88.B.2022) für Installation  
innerhalb des explosionsgefährdeten Bereiches

mit Stromkreisen der Zündschutzart Eigensicherheit "i"  
zum Anschluß an Druckwächter Typ DW 812

b) Druckwächter Typ DW 812

mit Druckschalter(n) und Strömungswächter(n)  
zum Anschluß an Steuergerät

Installation am überdruckgekapselten Gehäuse

c) Magnetventil (nach gesonderter Prüfbescheinigung)

zur Aufbereitung des Zündschutzgases

d) Bedientableau Typ BT 813...815

zum Anschluß an Steuergerät mit Stromkreisen der  
Zündschutzart Eigensicherheit "i"

Das automatische Überdruckkapselsystem kann in Varianten für

a) Überdruckkapselung mit ständiger Durchspülung von  
Zündschutzgas

b) Überdruckkapselung mit Ausgleich der Leckverluste  
ausgeführt werden.

#### Prüfungsunterlagen

1. Beschreibung (13 Blatt) )

2. Zeichnung Nr. DW 812.600.4 )

DW 812.600.4 (St) )

DW 812.400.4 )

DW 812.401.4 )

DW 812.402.4 )

DW 812.403.4 )

DW 812.500.4 )

DW 812.601.4 )

DW 812.601.4 (St) )

DW 812.404.4 )

DW 812.405.4 )

DW 812.406.4 )

DW 812.407.4 )

DW 812.408.4 )

DW 812.602.4 )

DW 812.602.4 (St) )

DW 812.409.4 )

DW 812.410.4 )

DW 812.411.4 )

DW 812.412.4 )

) unterschrieben  
am 18.12.87

# Physikalisch-Technische Bundesanstalt

Anlage zur Teilbescheinigung PTB Nr. Ex-88.B.1019 U

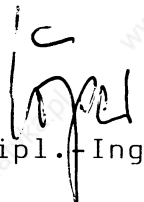
## Hinweise

1. Diese Prüfbescheinigung umfaßt nur die Prüfung von Aufbau und Funktion der Hilfseinrichtung.  
Für das überdruckgekapselte Gehäuse (Betriebsmittel) muß eine getrennte Prüfbescheinigung (Konformitätsbescheinigung) vorliegen, in der Bauart und Temperaturklasse festgelegt sind.
2. Das Steuergerät Typ FS 821 kann innerhalb des explosionsgefährdeten Bereiches eingesetzt werden.
3. Das Steuergerät Typ FS 810 darf nur außerhalb des explosionsgefährdeten Bereiches eingesetzt werden.
4. Für das Magnetventil muß eine gesonderte Prüfbescheinigung vorliegen.
5. Die Betriebsanleitung des Herstellers ist zu beachten.
6. Die Ableitung des Zündschutzgases kann im explosionsgefährdeten Bereich (direkt am Druckwächter) enden. Durch die Bauart des Druckwächters ist das Heraustreten von Funken oder zündfähigen Partikeln verhindert und ein schnelles Eindringen der umgebenden Atmosphäre wirksam verhindert.
7. Bei einer Ausführung mit "Überbrückungsschalter" ist dem Betreiber folgende Information in geeigneter Form mitzuteilen:

Die Inbetriebnahme des elektrischen Betriebsmittels mit "Überbrückungsschalter" bedarf der Genehmigung des Betriebsleiters oder seines Beauftragten. Die Genehmigung darf nur erteilt werden, wenn sichergestellt ist, daß für den Zeitraum der notwendigen Arbeiten keine explosionsfähige Atmosphäre vorhanden ist, oder wenn die notwendigen Schutzmaßnahmen gegen Explosionsgefahr getroffen sind ("Feuererlaubnisschein").

Im Auftrag

Braunschweig, 19.09.88

  
Dipl.-Ing. Löper





# Physikalisch-Technische Bundesanstalt



## KONFORMITÄTSBESCHEINIGUNG

PTB Nr. Ex- 82/2114

Diese Bescheinigung gilt für das elektrische Betriebsmittel

Steuergerät Typ FS 810

der Firma **HESSLER Elektronik GmbH**  
D-6731 Lindenberg

Die Bauart dieses elektrischen Betriebsmittels sowie die verschiedenen zulässigen Ausführungen sind in der Anlage zu dieser Konformitätsbescheinigung festgelegt.

Die Physikalisch-Technische Bundesanstalt bescheinigt als Prüfstelle nach Artikel 14 der Richtlinie des Rates der Europäischen Gemeinschaften vom 18. Dezember 1975 (76/117/EWG) die Übereinstimmung dieses elektrischen Betriebsmittels mit den harmonisierten Europäischen Normen

### **Elektrische Betriebsmittel für explosionsgefährdete Bereiche**

EN 50 014-1977 / VDE 0171 Teil 1/5.78 Allgemeine Bestimmungen  
EN 50 020-1977 / VDE 0171 Teil 7/5.78 Eigensicherheit "i"

nachdem das Betriebsmittel mit Erfolg einer Bauartprüfung unterzogen wurde. Die Ergebnisse dieser Bauartprüfung sind in einem vertraulichen Prüfprotokoll festgelegt.

Das Betriebsmittel ist mit dem folgenden Kennzeichen zu versehen:

[EEEx ib] IIC

Der Hersteller ist dafür verantwortlich, daß jedes derart gekennzeichnete Betriebsmittel in seiner Bauart mit den in der Anlage zu dieser Bescheinigung aufgeführten Prüfungsunterlagen übereinstimmt und daß die vorgeschriebenen Stückprüfungen erfolgreich bestanden wurden.

Das elektrische Betriebsmittel darf mit dem hier abgedruckten gemeinschaftlichen Unterscheidungszeichen gemäß Anhang II der Richtlinie des Rates vom 6. Februar 1979 (79/196/EWG) gekennzeichnet werden.

Im Auftrag

(Dr.-Ing. Schebsdat) /  
Oberregierungsrat



Braunschweig, 24.8.1982

Prüfbescheinigungen ohne Unterschrift und ohne Dienststempel haben keine Gültigkeit.  
Die Bescheinigungen dürfen nur unverändert weiterverbreitet werden.

Auszüge oder Änderungen bedürfen der Genehmigung der Physikalisch-Technischen Bundesanstalt, Bundesallee 100, Postfach 33 45, D-3300 Braunschweig.

# Physikalisch-Technische Bundesanstalt

## A N L A G E

zur Konformitätsbescheinigung PTB Nr. Ex-82/2114

Das Steuergerät dient zur Übertragung von Schaltbefehlen aus dem Steuerstromkreis in die Arbeitsstromkreise.

### Elektrische Daten

Netzanschluß .....	24/42/110/220 V	48...62 Hz	etwa 2 VA
(Klemmen 7, 8)	je nach Ausführung des Netztransformators		
Steuerstromkreis .....	in Zündschutzart Eigensicherheit EEx ib IIC		
(Klemmen 1...6)	Höchstwerte:		
	$U \leq 16 \text{ V}$		
	$I \leq 70 \text{ mA}$		
	$P \leq 280 \text{ mW}$		
	höchstzulässige äußere Induktivität		6 mH
	höchstzulässige äußere Kapazität		380 nF
Arbeitsstromkreise ....	$U_{\sim} \leq 250 \text{ V}, \leq 4 \text{ A}, \cos \varphi \geq 0,7$		
(Klemmen 9,10 und 11,12	$U_{-} \leq 60 \text{ V}, \leq 0,5 \text{ A}, L/R = 200 \text{ ms}$		
und 13,14,15 u.16,17,18,			
Wirkschaltskontakte)			

Der eigensichere Steuerstromkreis ist von den Arbeitsstromkreisen und dem Netzanschluß sicher galvanisch getrennt.

Das Steuergerät wird außerhalb des explosionsgefährdeten Bereiches errichtet.

### Prüfungsunterlagen

1. Beschreibung (17 Blatt)		vom 19.5.1982
2. Zeichnung Nr. FS 810 10 03		vom 4.6.1982
FS 810.300.4		vom 7.6.1982
FS 810.300.4 (St) (2 Blatt)		vom 26.4.1982
FS 810.400.4		vom 1.6.1982
FS8 106 00 3		vom 2.6.1982
FS 810.600.4.St		vom 7.6.1982
FS 810.500.4		vom 1.6.1982
FS 810.501.4		vom 21.5.1982

Im Auftrag



(Dr.-Ing. Schebsdat)  
Oberregierungsrat



Braunschweig, 24.8.1982

# Physikalisch-Technische Bundesanstalt

## 1. N A C H T R A G

zur Konformitätsbescheinigung PTB Nr. Ex-82/2114

der Firma HESSLER Elektronik GmbH  
D-6731 Lindenberg

Das Steuergerät darf künftig auch unter der Bezeichnung  
Typ FS 810-A  
nach den unten aufgeführten Prüfungsunterlagen gefertigt werden.  
Die Änderungen betreffen den inneren Aufbau des Gerätes und die  
elektrischen Daten.

### Elektrische Daten

Steuerstromkreis ..... für Typ FS 810-A  
in Zündschutzart Eigensicherheit EEx ib IIC  
Höchstwerte: U < 16 V  
I < 154 mA  
P < 620 mW  
höchstzulässige äußere Induktivität 1 mH  
höchstzulässige äußere Kapazität 380 nF

Die übrigen elektrische Daten und Angaben bleiben unverändert.

### Prüfungsunterlagen

1. Beschreibung (4 Blatt) )  
)  
2. Zeichnung Nr FS 801.301.4 (St) (4 Blatt) ) unterschrieben  
FS 810.301.4 ) am  
FS.810.200.4 ) 14.10.1982  
FS 810 101 3 )  
FS.810.402.3 )

Im Auftrag

Braunschweig, 14.12.1982



*Schebsdat*  
(Dr.-Ing. Schebsdat)  
Oberregierungsrat

[EEx ib] IIC

Blatt 1/1

# Physikalisch-Technische Bundesanstalt

## 2. N A C H T R A G

zur Konformitätsbescheinigung PTB Nr. Ex-82/2114

der Firma HESSLER Elektronik GmbH  
D-6731 Lindenberg

In die Steuergeräte Typ FS 810 und Typ FS 810-A darf anstatt des bisher verwendeten Relais der Firma E. Haller u. Co. wahlweise das Relais Typ MZP 002..05 der Firma Maluska Elektronik GmbH eingebaut werden.

### Prüfungsunterlage

Teilbescheinigung PTB Nr. Ex-83/2011 U

Im Auftrag

Braunschweig, 15.5.1985



*Schebsdat*  
(Dr.-Ing. Schebsdat)  
Oberregierungsrat

# Physikalisch-Technische Bundesanstalt

## 3. N A C H T R A G

### zur Konformitätsbescheinigung PTB Nr. Ex-82/2114

der Firma Gönnheimner Elektronik GmbH  
D-6730 Neustadt

Das Steuergerät Typ FS 810 darf künftig auch nach den unten aufgeführten Unterlagen gefertigt werden. Die Änderungen betreffen die elektrischen Daten des Gerätes.

Diese lauten künftig:

#### Elektrische Daten

Netzanschluß ..... 24/42/110/120/220/230 V 48...62 Hz  
(Klemmen 7,8) etwa 2 W je nach Ausführung des  
Netztransformators

Alle übrigen Daten bleiben unverändert.


#### Prüfungsunterlagen

unterschrieben am

- |   |            |
|---|------------|
| 1. Beschreibung (1 Blatt)<br>(Nachtrag FS 810 Zeichn.-Nr.: FS 810.900.4)          | 07.02.1990 |
| 2. Zeichnung Nr. FS 810.900.4 (1 Blatt)<br>(Aufbauübersicht Trafo)                | 19.02.1991 |
| 3. Beschreibung (1 Blatt)<br>(Funktionsbeschreibung FS 810.910.4)                 | 27.03.1991 |
| 4. Zeichnung Nr. FS 810.960.4 (1 Blatt)<br>(Blockschaltbild)                      | 27.03.1991 |
| 5. Zeichnung Nr. FS 810.900.4 (1 Blatt)<br>(Prüfbericht Trafo WED 25/7.5 BV 9001) | 07.02.1990 |
| 6. Zeichnung Nr. FS 810.900.4 (1 Blatt)<br>(Prüfbericht Trafo WED 25/7.5 BV 9002) | 07.02.1990 |
| 7. Zeichnung Nr. FS 810.900.4 (1 Blatt)<br>(Erwärmungsprüfung Trafo)              | 07.02.1990 |

Im Auftrag

Braunschweig, 16.05.1991

  
Dr.-Ing. Schebbat  
Regierungsdirektor



## 4. NACHTRAG zur Konformitätsbescheinigung PTB Nr. Ex-82/2114

der Firma Gönzheimer Electronic GmbH  
D-Neustadt

Das Steuergerät Typ FS 810 darf künftig nach den unten aufgeführten Prüfungsunterlagen gefertigt werden.

Die Änderungen betreffen den inneren Aufbau.

Die elektrischen Daten gelten unverändert für diesen Nachtrag.

### Prüfungsunterlagen

alle unterschrieben am 24.10.1994

1. Beschreibung (1 Blatt)
2. Zeichnung Nr. FS 81010  
FS 810.301.4
3. Stückliste Nr. FS 801.301.4 (2 Blatt)  
FS 810 300

Im Auftrag

  
Dr.-Ing. Johannsmeyer  
Oberregierungsrat



Braunschweig, 03.02.1995

# Physikalisch-Technische Bundesanstalt

## Partial Certificate **PTB Nr. Ex-88.B.1019 U**

This certificate is issued for the  
Pressurization and Purging System EEx p Type F 800

of the company Gönzheimer Elektronik GmbH D-  
6734 Lambrecht/Pfalz

The make of this electrical equipment as well as the different allowable executions to this partial certificate are stated in the Annex.

The Physikalisch-Technische Bundesanstalt as the inspecting authority according to Article 14 of the directives of the Council of the European Communities, dated 18 December 1975 (76/117 EWG) certifies the conformity of this electrical equipment with the harmonized European Norm.

EN 50 016:1977+A1 (VDE 0170/0171 Part 3/9.80) Purge/Pressurised "p"  
- paragraphs 5,6 and Annex A 2b - ;

The pressure monitor type DW 812 is to be marked as follows:

**PTB Nr Ex-88.B.1019U**

The manufacturer is responsible that the equipment marked as shown above - in its make - is in conformity with the examined documents and that the obligatory tests of pieces have passed the tests.

This partial certificate is not a certificate of conformity or control, it only serves as the basis for the issuance of the complete Inspection Certificate.

This piece of production may not be marked with the mutual distinctive mark according to Annex II of the directive of the Commission, dated 16 January 1984 (84/47/EWG).

The Pressurization and Purging System EEx p Type F 800 serves as an auxiliary equipment for production, surveillance, and safely keeping-up the Pressurization and Purging-safed equipment.

In behalf

Braunschweig, 19 Sep. 88

Stamp

Löper  
engineer

# Physikalisch-Technische Bundesanstalt

A N N E X  
for partial certificate PTB Nr. EX-88.B.1019 U

**Mak**

The Pressurization and Purging System EEx p Type F 800 consists of:

- a) selective Control Unit  
Type FS 810 (PTB No. Ex-82/2114) for installation outside the Hazardous Area  
Type FS 821 (PTB No. Ex-88.B.2022) for installation within the Hazardous Area  
with intrinsically safe circuits for connection to the pressure monitor DW 812
- b) Pressure monitor DW 812  
with pressure-switches and purging sensor(s) for connection to the Control Unit  
Installation on pressurization and purging capsulated enclosure
- c) Magnet valve (with extra certificate) for preparing the ignition protection gases  
d) Controls Type BT 813..815  
for connection to the Control Unit with intrinsically safe circuits (°i°)

The automatic Pressurization and Purging System can be manufactured in the following variations:

- a) Pressurization and Purging System with Continuous Flow of ignition protection gas
- b) Pressurization and Purging System with Leakage Compensation

<b>Inspection documents</b>		
1. Description (13 sheets)		
2. Drawings No. DW	812.600.4	
	DW 812.600.4	(St)
	DW 812.400.4	
	DW 812.401.4	
	DW 812.402.4	
	DW 812.403.4	
	DW 812.500.4	
	DW 812.601.4	
	DW 812.601.4	(St)
	DW 812.404.4	
	DW 812.405.4	
	DW 812.406.4	
	DW 812.407.4	
	DW 812.408.4	
	DW 812.602.4	
	DW 812.602.4	(St)
	DW 812.409.4	
	DW 812.410.4	
	DW 812.411.4	
	DW 812.412.4	
	allsigned on	18 December 87



# Physikalisch-Technische Bundesanstalt

Annex for partial certificate PTB Nr. Ex-88.B.1019 U

## Remarks

1. This inspection certificate comprise only the inspection of make and function of the auxiliary equipment.

A separate inspection certificate (conformity certificate) must be at hand for the Pressurization and Purging capsulated enclosure (operation means), which are defined for make and temperature classification.

2. The Control Unit, type FS 821 can within the Hazardous Areas be used.

3. The Control Unit, type FS 810 is only allowed for outside the Hazardous Area. 4. The magnet valve must have a separate inspection certificate.

5. The operational directives of the manufacturer must be adhered to.

6. The extension of the ignition protection gase (directly at the pressure monitor) can end in the Hazardous area endangered area. By the make of the pressure monitor anoutcoming of sparks or ignition particles is being avoided and a fast intrusion of the surrounding atmosphere is hindered.

7. For the execution with "Bypass-switch" the operator must be informed of the following:

The start-up of the electrical control with "Bypass-switch" needs the approval of the manager or his authorized assistant. This approval can only be given, if it is guaranteed that during the necessary work there is no atmosphere which could explode or if the necessary protection means are done avoiding any explosion danger ("Fire permission certificate").

in behalf

Löper  
Engineer

Stamp

Braunschweig, 19 Sep. 88

# Physikalisch-Technische Bundesanstalt

(1) Conformity Certificate

(2) **PTB Nr. Ex-88.B.2022**

(3) This certificate concerns electrical equipment

Control Unit Type FS 821

(4) of the Company Gönzheimer Elektronik GmbH D-6734  
Lambrecht

(5) The make of this electrical equipment as well as the different authorized executions are defined in the Annex to this Conformity Certificate.

(6) The Physical-Technical Federal Institution as the Inspecting authority certifies according to Article 14 of the Directive of the Council of the European Communities, dated 18 December 1975 (76/117/EWG) the conformity of this electric equipment with the harmonized European Norms.

EN 50 014:1977 + A1...A4 (VDE 0170/0171 part 1/5.84)
General directives
EN 50 017:1977 + A1 (VDE 0170/0171 part 4/9.80)
Sand/Powder Filling "q" .
EN 50 019:1977 + A1...A2 (VDE 0170/0171 part 6/7.84)
Increased Safety "e"
EN 50 020:1977 + A1 (VDE 0170/0171 part 7/9.80)
Intrinsic Safety "i "

after the equipment of a certain make has been inspected with success. The results of the inspection are defined in a confidential inspection protocol.

(7) The equipment is to be marked with the following:

EEx eq [ib] IIC T6

(8) The manufacturer is responsible to mark each equipment of this make according to this certificate's Annex of the inspection documents so that all is in conformity with the authorized piece inspections.

(9) The electrical equipment may be marked with the here printed mutual distinctive mark according to Annex II of the directive of the Council, dated 6 February 1979 (79/196/EWG).

In behalf

Braunschweig, 11 April 1988

Stamp

Schebsdat Dr.-  
engineer Government  
Director

# Physikalisch-Technische Bundesanstalt

## A N N E X

to the Conformity Certificate PTB Nr. Ex-88.B.2022

The Control Unit, Type FS 821 serves for transmission of signals from the intrinsically safe circuit in a non-intrinsically safe working circuit.

### Electrical details

supply voltage:  $U = 24/42/110/220V$ , ca. 4 VA, 48..62 Hz  
(terminal 9 and 10) depending upon the execution of the transformer

Control Circuits in ignition protection intrinsically safe EEx ib IIC  
(terminal 0..8) highest values:  $U = 9,1 V$   $I_m 90mA$   $P \sim 205 mW$

highest outside inductivity 5 mH highest outside  
capacity 5 NF

Working circuits (terminal 11..20):  $U 5 250V$   $U 5 60 V 154A$  (50,5Acos S **0,7 UR**  
**S 200 ms**

The control circuits are galvanically separated from the supply voltage and the working circuits up to a nominal voltage of 375 V.

### Inspection Documents:

1. Description (16 sheets)	2.	signed	on
Drawind No.		20.12.1987/26./29.02.1988	
FS821.101.3		29.02.1988	
FS821.300.4		29.02.1988	
FS810.900.4	(6 sheets)	20.12.1987	
FS821.902.3		20.12.1987	
FS821.400.3		20.12.1987	
FS821.401.4		20.12.1987	
FS821.402.4		20.12.1987	
FS821.403.4		20.12.1987	
FS821.404.4		20.12.1987	
FS821.500.4		20.12.1987	
FS821.501.4		20.12.1987	
FS821.600.4		26.02.1988	

### 3. Parts list (3 sheets)

in behalf

Schebsdat Dr.-  
engineer. Government  
Director

Stamp

Braunschweig, 11 April 1988

# Physikalisch-Technische Bundesanstalt

(1) **Conformity Certificate**

(2) **PTB Nr. Ex- 82/2114**

(3) This certificate concerns the electrical operation equipment

**Control Device type FS810**

(4) of the company

**Hessler Electronic GmbH**

**D - 6731 Lindenberg**

(5) The make of this electrical operation equipment as well as the different allowable executions are defined in the Annex to this Conformity Certificate.

(6) The Physical-Technical Federal Institution as the Inspecting authority certifies according to Article 14 of the Directive of the Council of the European Communities, dated December 18, 1975 (76/117/EWG) the conformity of this electrical operation equipment with the harmonised European Norms:

**Electrical operation equipment for explosion-endangered areas**

**EN 50 014:1977 + A1 ...A5 (VDE 0170/0171 Teil 1/1.87) General directives  
EN 50 020:1977 + A1 ...A5 (VDE 0170/0171 Teil 7/4.92) Intrinsic Safety 'i'**

after the equipment of a certain make has been inspected with success. The results of the inspection are defined in a confidential inspection protocol.

(7) The operation equipment is to be marked with the following mark:

**[EEx ib] IIC**

(8) The manufacturer is responsible to mark each equipment of this make according to this certificate's Annex of the inspection documents and that the required piece inspections have passed the testing successfully.

(9) The electrical equipment may be marked with the here printed mutual distinctive mark according to Annex II of the directive of the council, dated 6. February 1979 (79/196/EWG).

In behalf

Braunschweig, 24. August 1982

Stamp

Dr.-Ing. Schebsdat  
Oberregierungsrat

## Annex to the Conformity Certificate PTB Nr. Ex-82/2114

The control unit serves to transform switch orders from control current circuit to make circuit.

### Electrical details

Mains connection (Terminals 7,8) 24/42/110/220 V 48 ..62 Hz about 2 VA, according to the accomplishment of the mains transformer.

Control circuit (Terminals 1 ..6) Ignition protection class intrinsic safe EEx ib IIC highest values:

$$U \leq 16 \text{ V}$$

$$I \leq 70 \text{ mA}$$

$$P \leq 280 \text{ mW}$$

maximum external inductivity: 6 mH

maximum external capacity: 380 nF

Make circuits (Terminals 9,10 and 11, 12 and 13,14,15 and 16,17,18, active switch contacts)  $U \leq 250 \text{ VAC}$ ,  $I \leq 4 \text{ A}$ ,  $\cos \varphi \geq 0,7$   
 $U \leq 60 \text{ VDC}$ ,  $I \leq 0,5 \text{ A}$ ,  $L/R = 200 \text{ ms}$

Intrinsic safe control circuit is safe galvanically separated to make circuits as well as to main circuit.

The control unit must be placed outside hazardous area.

### Inspection Documents:

		Date
1. Description	(17 pages)	19.5.1982
2. Drawing No.	FS 810 10 03	4.6.1982
	FS 810.300.4	7.6.1982
	FS 810.300.4 (St) (2 Blatt)	26.4.1982
	FS 810.400.4	1.6.1982
	FS 810.600.3	2.6.1982
	FS 810.600.4 St	7.6.1982
	FS 810.500.4	1.6.1982
	FS 810.501.4	21.5.1982

In behalf

Braunschweig, 24. August 1982

Stamp

Dr.-Ing. Schebsdat  
Oberregierungsrat

**1. Amendment  
to the Conformity Certificate PTB Nr. Ex-82/2114**

of the company

Hessler Elektronik GmbH  
D - 6731 Lindenberg

In future the control device may also be manufactured under the designation of  
type

**FS810-A**

according to the inspection documents mentioned below.

The changes refer to the inside built as well as the electrical details of the device.

**Electrical details**

	For type FS810-A
Control circuit	Ignition protection class intrinsic safe EEx ib IIC highest values: $U \leq 16 \text{ V}$ $I \leq 154 \text{ mA}$ $P \leq 620 \text{ mW}$  maximum external inductivity: 1 mH maximum external capacity: 380 nF

All further details remain unchanged.

**Inspection Documents:**

signed on 14.10.1982

1. Description (4 pages)
2. Drawing No. FS 801.301.4 (ST) (4 pages)  
FS 801.301.4  
FS 801.200.4  
FS 801.101.3  
FS 801.402.3

in behalf

Braunschweig, 14.12.1982

Stamp

Dr.-Ing. Schebsdat  
Oberregierungsrat

[EEx ib] IIC

Page 1/1

**2. Amendment  
to the Conformity Certificate PTB Nr. Ex-82/2114**

of the company

Hessler Electronic GmbH  
D - 6731 Lindenberg

In future the control devices type FS 810 and type FS810-A may also be manufactured using the relay type MZP 002 ..05 of company Maluska Elektronik GmbH instead of the relay of the company E. Haller u. Co.

Inspection documents:

Part certificate                      PTB Nr. Ex-83/2011 U

in behalf

Stamp

Braunschweig, 15.5.1985

Dr.-Ing. Schebsdat  
Oberregierungsrat

**3. Amendment  
to the Conformity Certificate PTB Nr. Ex-82/2114**

of the company

Gönheimer Elektronik GmbH  
D - 6730 Neustadt

In future the control device may also be manufactured according to the inspection documents mentioned below.

The changes refer to the the electrical details of the device. They are from now on:

**Electrical details**

Mains connection                    24/42/110/220/230 V   48 ..62 Hz            about 2 VA, according to the  
(Terminals 7,8)                    accomplishment of the mains transformer.

All further details remain unchanged.

**Inspection Documents:**

signed on

- |  |            |
|--|------------|
| 1. Description (1 page)<br>(Amendment FS 810 Drawing No.: FS 810.900.4)              | 07.02.1990 |
| 2. Drawing No. FS 810.900.4 (1 page)<br>(Construction survey transformer)            | 19.02.1991 |
| 3. Description (1 page)<br>(Function description FS 810.910.4)                       | 27.03.1991 |
| 4. Drawing No. FS 810.960.4 (1 page)<br>(Block diagram)                              | 27.03.1991 |
| 5. Drawing No. FS 810.900.4 (1 page)<br>(Test report transformer WED 25/7.5 BV 9001) | 07.02.1990 |
| 6. Drawing No. FS 810.900.4 (1 page)<br>(Test report transformer WED 25/7.5 BV 9002) | 07.02.1990 |
| 7. Drawing No. FS 810.900.4 (1 page)<br>(Temperature test transformer)               | 07.02.1990 |

in behalf

Braunschweig, 16.05.1991

Stamp

Dr.-Ing. Schebsdat  
Oberregierungsrat



**4. Amendment  
to the Conformity Certificate PTB Nr. Ex-82/2114**

of the company

**Gönheimer Electronic GmbH  
D - Neustadt**

In future the control device FS 810 may also be manufactured according to the inspection documents mentioned below.

The changes refers to the inside built of the device.

Electrical specifications remain unchanged.

Inspection Documents:

all signed on 24.10.1994

1. Description (1 page)
2. Drawing No. FS 81010  
FS 810.301.4
3. Part list No. FS 801.301.4 (2 pages)  
FS 810 300

in behalf

Braunschweig, 03.02.1995

Stamp

Dr.-Ing. Johannsmeyer  
Oberregierungsrat

# Physikalisch-Technische Bundesanstalt



## (1) KONFORMITÄTSBESCHEINIGUNG

(2) PTB Nr. Ex-88.B.2022

(3) Diese Bescheinigung gilt für das elektrische Betriebsmittel

Steuergerät Typ FS 821

(4) der Firma Gönzheimer Electronic GmbH  
D-6734 Lambrecht

(5) Die Bauart dieses elektrischen Betriebsmittels sowie die verschiedenen zulässigen Ausführungen sind in der Anlage zu dieser Konformitätsbescheinigung festgelegt.

(6) Die Physikalisch-Technische Bundesanstalt bescheinigt als Prüfstelle nach Artikel 14 der Richtlinie des Rates der Europäischen Gemeinschaften vom 18. Dezember 1975 (76/117/EWG) die Übereinstimmung dieses elektrischen Betriebsmittels mit den harmonisierten Europäischen Normen

### Elektrische Betriebsmittel für explosionsgefährdete Bereiche

EN 50 014:1977 + A1...A4 (VDE 0170/0171 Teil 1/5.84) Allgemeine Bestimmungen  
EN 50 017:1977 + A1 (VDE 0170/0171 Teil 4/9.80) Sandkapselung "q"  
EN 50 019:1977 + A1...A2 (VDE 0170/0171 Teil 6/7.84) Erhöhte Sicherheit "e"  
EN 50 020:1977 + A1 (VDE 0170/0171 Teil 7/9.80) Eigensicherheit "i"

nachdem das Betriebsmittel mit Erfolg einer Bauartprüfung unterzogen wurde. Die Ergebnisse dieser Bauartprüfung sind in einem vertraulichen Prüfprotokoll festgelegt.

(7) Das Betriebsmittel ist mit dem folgenden Kennzeichen zu versehen:


EEx eq [ib] IIC T6

(8) Der Hersteller ist dafür verantwortlich, daß jedes derart gekennzeichnete Betriebsmittel in seiner Bauart mit den in der Anlage zu dieser Bescheinigung aufgeführten Prüfungsunterlagen übereinstimmt und daß die vorgeschriebenen Stückprüfungen erfolgreich durchgeführt wurden.

(9) Das elektrische Betriebsmittel darf mit dem hier abgedruckten gemeinschaftlichen Unterscheidungszeichen gemäß Anhang II der Richtlinie des Rates vom 6. Februar 1979 (79/196/EWG) gekennzeichnet werden.

Im Auftrag

Braunschweig, 11.04.1988

  
Dr.-Ing. Schebsdat  
Regierungsdirektor

Prüfbescheinigungen ohne Unterschrift und ohne Dienststempel haben keine Gültigkeit.

Die Bescheinigungen dürfen nur unverändert weiterverbreitet werden.

Auszüge oder Änderungen bedürfen der Genehmigung der Physikalisch-Technischen Bundesanstalt, Bundesallee 100, Postfach 33 45, D-3300 Braunschweig.

# Physikalisch-Technische Bundesanstalt

## A N L A G E

### zur Konformitätsbescheinigung PTB Nr. Ex-88.B.2022

Das Steuergerät Typ FS 821 dient zur Übertragung von Signalen aus einem eigensicheren Steuerstromkreis in einen nichteigensicheren Arbeitsstromkreis.

#### Elektrische Daten

Versorgungsspannung .. U = 24/42/110/220 V, ca. 4 VA, 48...62 Hz  
(Klemmen 9 und 10) je nach Ausführung des Transformators

Steuerstromkreise .... in Zündschutzart Eigensicherheit EEx ib IIC  
(Klemmen 0...8)

Höchstwerte: U = 9,1 V  
I = 90 mA  
P = 205 mW

höchstzulässige äußere Induktivität 5 mH  
höchstzulässige äußere Kapazität 5  $\mu$ F

Arbeitsstromkreise ... U  $\leq$  250 V U  $\leq$  60 V  
(Klemmen 11...20) I  $\leq$  4 A I  $\leq$  0,5 A  
cos  $\varphi$   $\leq$  0,7 L/R  $\leq$  200 ms

Die Steuerstromkreise sind von der Versorgungsspannung und den Arbeitsstromkreisen bis zu einem Scheitelwert der Nennspannung von 375 V galvanisch getrennt.

#### Prüfungsunterlagen

unterschrieben am

- |                               |                           |
|-------------------------------|---------------------------|
| 1. Beschreibung (16 Blatt)    | 20.12.1987/26./29.02.1988 |
| 2. Zeichnung Nr. FS 821.101.3 | 29.02.1988                |
| FS 821.300.4                  | 29.02.1988                |
| FS 810.900.4 (6 Blatt)        | 20.12.1987                |
| FS 821.902.3                  | 20.12.1987                |
| FS 821.400.3                  | 20.12.1987                |
| FS 821.401.4                  | 20.12.1987                |
| FS 821.402.4                  | 20.12.1987                |
| FS 821.403.4                  | 20.12.1987                |
| FS 821.404.4                  | 20.12.1987                |
| FS 821.500.4                  | 20.12.1987                |
| FS 821.501.4                  | 20.12.1987                |
| FS 821.600.3                  | 20.12.1987                |
| 3. Stückliste (3 Blatt)       | 26.02.1988                |

Im Auftrag

Braunschweig, 11.04.1988

  
Dr.-Ing. Schebsda  
Regierungsdirektor



# Physikalisch-Technische Bundesanstalt

## 1. NACHTRAG

### zur Konformitätsbescheinigung PTB Nr. Ex-88.B.2022

der Firma Gönheimer Elektronik GmbH  
D-6730 Neustadt

Das Steuergerät Typ FS 821 darf künftig auch nach den unten aufgeführten Unterlagen gefertigt werden. Die Änderungen betreffen die elektrischen Daten des Gerätes.

Diese lauten künftig:

#### Elektrische Daten

Netzanschluß ..... 24/42/110/120/220/230 V 48...62 Hz  
(Klemmen 9,10) etwa 2 W je nach Ausführung des  
Netztransformators

Alle übrigen Daten bleiben unverändert.

#### Prüfungsunterlagen

siehe Konformitätsbescheinigung PTB Nr. Ex-82/2114, 3. Nachtrag

unterschieden am

- |   |            |
|---|------------|
| 1. Beschreibung (1 Blatt)<br>(Nachtrag FS 821 Zeichn.-Nr. : FS 821.900.4) | 07.02.1990 |
| 2. Beschreibung (1 Blatt)<br>(Funktionsbeschreibung FS 821.910.4)         | 27.03.1991 |
| 3. Zeichnung Nr. FS 821.960.4-1 (1 Blatt)<br>(Blockschaltbild)            | 27.03.1991 |

Im Auftrag

Braunschweig, 16.05.1991

  
Dr.-Ing. Schebsdat  
Regierungsdirektor



## 2. NACHTRAG zur Konformitätsbescheinigung PTB Nr. Ex-88.B.2022

der Firma Gönzheimer Electronic GmbH  
D-Neustadt

Das Steuergerät Typ FS 821 darf künftig nach den unten aufgeführten Prüfungsunterlagen gefertigt werden.

Die Änderungen betreffen den inneren Aufbau.

Die elektrischen Daten gelten unverändert für diesen Nachtrag.

### Prüfungsunterlagen

alle unterschrieben am 24.10.1994

1. Beschreibung (1 Blatt)
2. Zeichnung Nr. FS 821.101.3  
FS 821.301.4
3. Stückliste Nr. FS 821 304.4 St (3 Blatt)  
FS 821.902.3

Im Auftrag

  
Dr.-Ing. Johannsmeyer  
Oberregierungsrat



Braunschweig, 03.02.1995