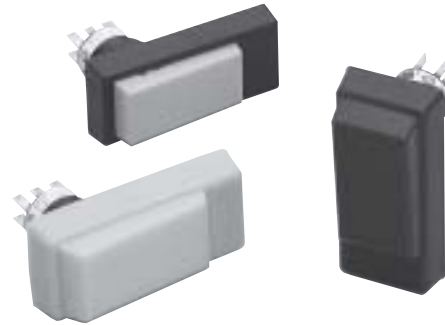


HE3B Series Pushbutton Assembly Enabling Switch

HE3B

Key features include:

- 3 position functionality (OFF – ON – OFF) as required for manual robotic control
- Provides a high level of safety based on human behavioral studies that determine personnel may squeeze OR let go when presented with a panic situation
- Contacts will not re-close when released from Off→On (3→1) (per IEC60204-1; 9.2.5.8)
- Multiple contacts for enhanced reliability
- Snap acting contacts from position 1 to 2
- Available with or without rubber cover





B
 Safety Products

Specifications	Conforming to Standards		IEC60947-5-1, EN60947-5-1, JIS C8201-5-1, UL508, CSA C22.2 No 14
	Approvals		ISO12100/EN292, IEC60204-1/EN60204-1, ISO11161/prEN11161, ISO10218/EN775, ANSI/RIA R15.06
	Operating Temperature		-25 to +60°C (no freezing)
	Operating Humidity		45 to 85% RH maximum (no condensation)
	Storage Temperature		-40 to +80°C (no freezing)
	Pollution Degree		3
	Contact Resistance		50mΩ maximum (beginning stage)
	Insulation Resistance		Between live & dead metal parts: 100MΩ maximum (at 500VDC mega)
			Between positive & negative live parts: 100MΩ minimum (at 500VDC mega)
	Impulse Withstand Voltage		1.5kV
	Operating Frequency		1200 operations/hour
	Mechanical Life		Position 1→2 1 million minimum
			Position 1→2→3→1: 100 thousand minimum
	Electrical Life		100,000 minimum at rated load
	Shock Resistance	Operating Extremes	100m/s ²
		Damage Limits	1000m/s ²
	Vibration Resistance	Operating Extremes	5 to 55Hz, amplitude 0.5mm minimum
		Damage Limits	16.7Hz, amplitude 1.5mm minimum
	Terminal		0.110" quick connect / solder terminal
	Recommended Wire Size		0.5mm ² maximum / 1 line
Solder Heat Resistance		260°C / 3 seconds maximum	
Terminal Pulling Strength		20N minimum	
Recommended Screw Torque		0.68 to 0.88N • m	
Degree of Protection		with rubber cover: IP65, without rubber cover: IP40 (IEC 60529),	
Conditional Short-Circuit Current		50A (125V)	
Recommended Short Circuit Protection		125V/10A fast blow fuse (IEC 60127-1)	
Weight		without rubber cover - Approx. 14g with rubber cover - Approx. 18g	
Circuit Opening Force		500N minimum	

Part Numbers

Part Numbers

Type	No of Contacts	Part Numbers
 Without Rubber Cover	2 (3 Position Switch)	HE3B-M2
 With Rubber Cover		HE3B-M2P①

B



In place of ① specify the rubber cover color code:
Y: yellow, B: black

Ratings

Contact Ratings

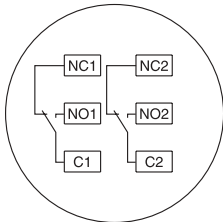
Rated Insulation Voltage (Ui)		125V	
Thermal Current (Ith)		3A	
Rated Operating Voltage (Ue)		30V	125V
Rated Operating Current (Ie)	AC	Resistive Load (AC-12)	1A
		Inductive Load (AC-15)	0.7A
	DC	Resistive Load (DC-12)	0.2A
		Inductive Load (DC-13)	0.1A
Contact Structure (3 Position Switch)		2 contacts	



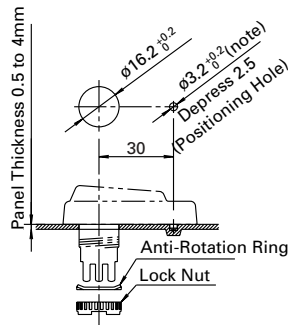
The minimum applicable load (reference) = AC/DC3V • 5mA

Circuit Diagrams

Terminal Circuit Diagrams (bottom view)



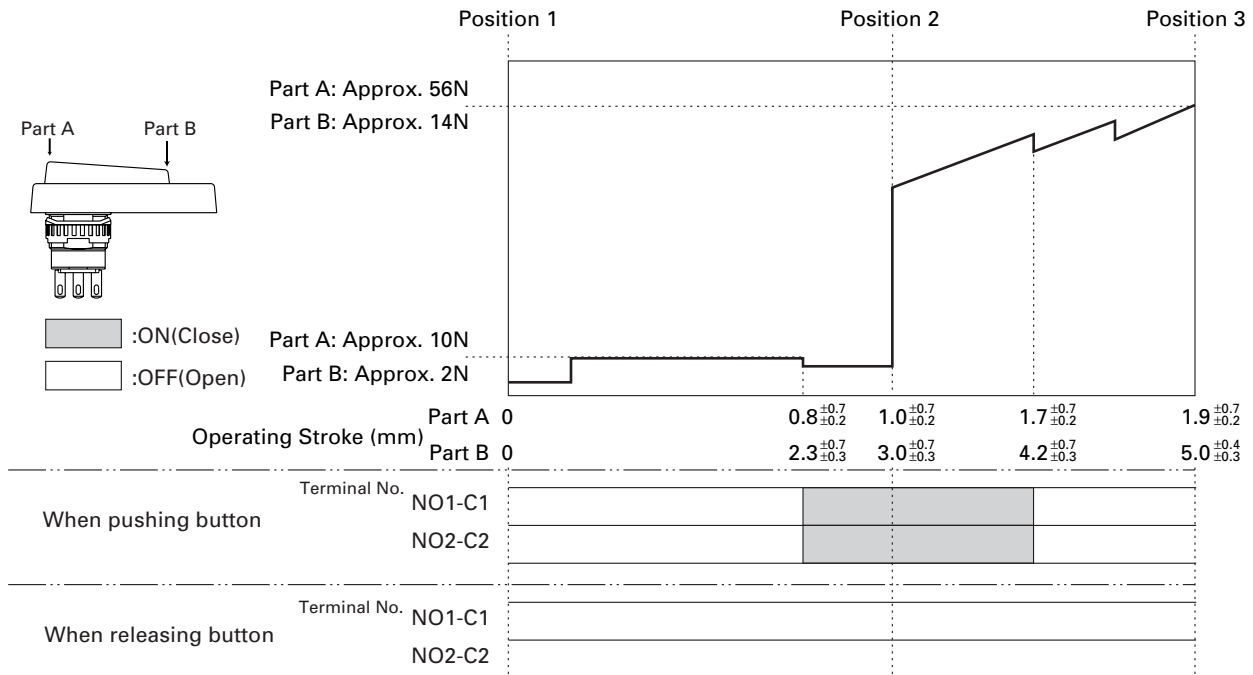
1. 3 position switch: 2 contacts, terminal no. = between NO1-C1, between NO2-C2
2. Use between NO-C for OFF → On → OFF 3 position switch (NC is not used).



1. Recommended Lock Nut Torque: 0.68 to 0.88N • m.
2. Use a lock nut tool to screw on the lock nut (see page B-47).
3. To retain the switches waterproof performance, do not penetrate the positioning hole.
4. Remove the rubber cover projection if you do not want a positioning hole. (Do not penetrate the rubber cover).

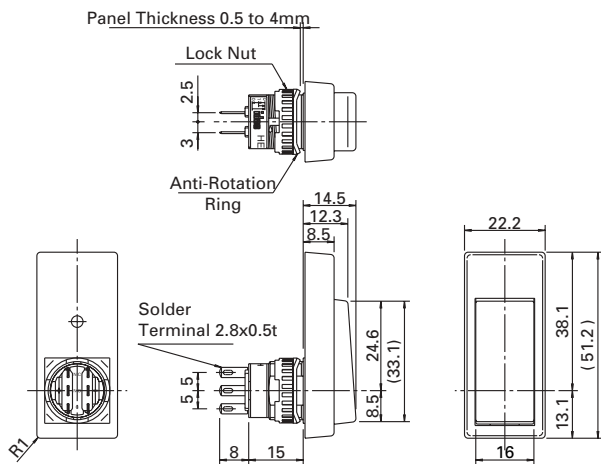
Operating Characteristics

Operating Characteristics (without rubber cover/pushing button part A and B)

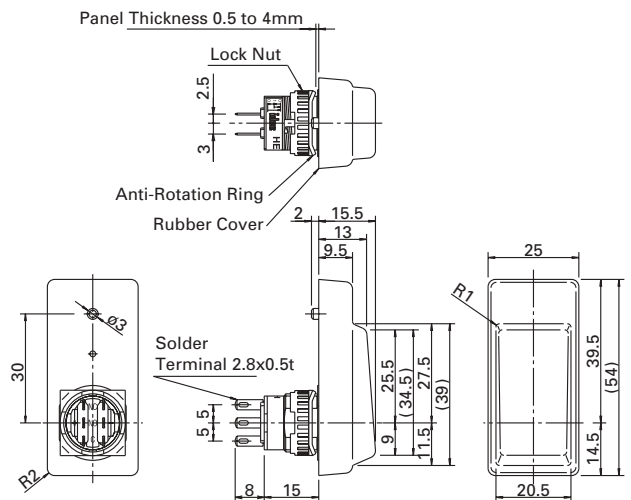


Dimensions

Without Rubber Cover



With Rubber Cover



Accessories

Part Numbers: Replacement Rubber Cover

Appearance	Part Number	Material
	HE9Z-D3①	Silicon Rubber



In place of ① specify rubber cover color:
Y: yellow and B: black.

Part Numbers: Lock Nut Tool

Appearance	Part Number	Material
	MT-001	Metal

General Information for Enabling Switches

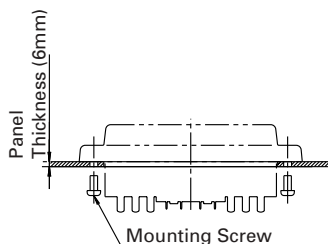
Safety Precautions

- In order to avoid electric shock or fire, turn power off before installation, removal, wire connection, maintenance or inspection of switch.
- Follow specification when installing. Improper electrical load may damage switch, cause electric shock, or fire.
- Use proper wire diameter to meet voltage and current requirements. Using improper wires or incomplete soldering may cause fire due to abnormal heat generation.

Installation Precautions

HE2B

- M3 nut is inside the rubber cover.



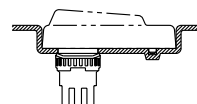
HE2B/HE3B

- A change in internal air pressure may cause the rubber boot to expand and shrink on an enabling switch that has the rubber boot sealed. This may affect the performance of the switch. Periodically check to ensure that the enabling switch is operating correctly.

- If the panel is not level when mounting an enabling switch, the waterproof feature cannot be guaranteed.

HE3B

- The rubber boot has a tab to be used for orientation. When making a positioning hole in a panel, do not make a hole in the rubber boot, or the waterproof feature cannot be guaranteed. When the positioning hole is not on the panel, remove the tab, but do not make a hole in the rubber boot.
- When tightening the locking ring, secure the flange to prevent the enabling switch from rotating. In applications where the enabling switch is to be rotated, mount the switch in a recess on the panel as shown.



Wiring Precautions

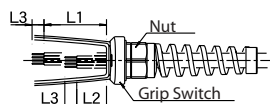
HE1B/HE2B/HE3B

- Applicable wire size is 0.5mm (maximum) / 1 line.
- When soldering the terminal, solder at a temperature of 260°C within 3 seconds. Use non-corrosive liquid rosin as soldering flux.

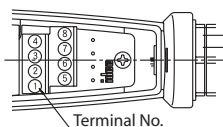
HE1G

- Wire Stripping Information

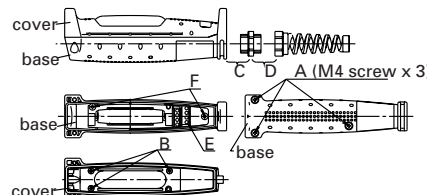
Wire Length	Terminal No. 1-4	Terminal No. 5-8
L1, L2 (mm)	L1=40mm	L2=27mm
L3 (mm)	L3=6mm	



- Applicable Wire Size: 0.14 to 1.5mm² (one wire per terminal)



- Recommended Torque (wire diameter range .276 - .512")



	See Drawing Above	Recommended Torque
Case Installation	A	1.2±0.1N • m
Rubber Installation	B	.09±0.1N • m
Connector	C	3.0±0.3N • m
Strain Relief	D	6.0±0.3N • m
Wire terminals	E	0.3±0.2N • m
Do Not Remove	F	—



The above values apply when using IDEC strain relief. If using other, contact manufacturer.

Use Precautions

HE2B/HE3B/HE1G

- To ensure the highest level of reliability connect both contacts to a monitoring device such as a safety relay.

HE1B/HE2B/HE3B

- When installing the enabling switch ensure that it cannot be accidentally activated. For example, a protrusion from a teaching pendant could cause the enabling switch to be activated by the weight of the teaching pendant.

IDEC Oiltight Emergency Stop Pushbuttons

Pushlock Turn Resets

L6 Series

Safety Products

B

(see page A38 for more information)



HA1B ø25 mm

- ø25 mm red button
- Mounting hole: ø16.2 mm
- Solder or PC board terminal
- 1NC or 2NC contacts
- Contact rating: 250V AC/1.5A
- Positive action contacts
- Degree of protection: IP65

HW Series

(see page A75 for more information)

HW1B ø 29 mm

- ø29 mm red button
- Mounting hole: ø22.3 mm
- 1NO-1NC, 1NC, 1NO-1NC, or 2NC contacts
- Contact rating: 220V AC/3A
- EN418 compliance
- Degree of protection: IP65



HW1E ø 40 mm Unibody

- ø40 mm red button
- Mounting hole ø22.3 mm
- 1NO-1NC, 1NC, 1NO-1NC, or 2NC contacts
- Contact rating: 220V AC/3A
- EN418 compliance
- Degree of protection: IP65



HW1X E-stop Station

- ø40 mm red button
- 1NO-1NC, 1NC, 1NO-1NC, or 2NC contacts
- Contact rating: 220V AC/3A
- Box color: Yellow (top), Black (bottom)
- EN418 compliance
- Degree of protection: IP65

