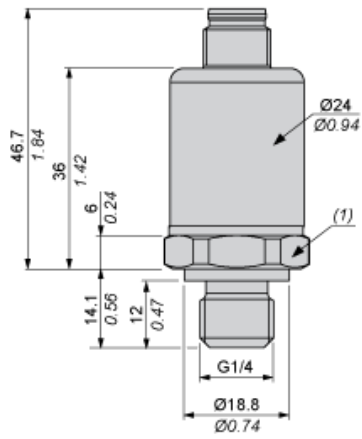


Dimensions

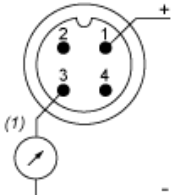
mm
in.



(1) SW24, tightening torque # 24 N-m / 212 lb-in

Connections and Schema

Connector Wiring



(1) I out
Pins 2 and 4 not connected