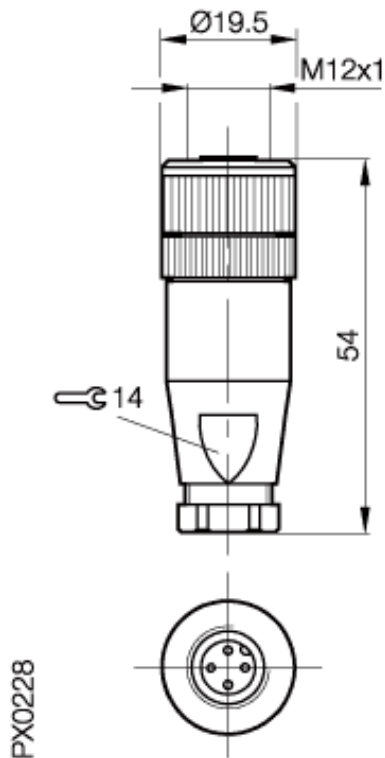


Accessories: Connectors BKS-S 10-4



Common Data

Version
Usable with
PNP, M12)
Manufacturer
Ambient temperature
Function display
Supply voltage display

Connector, straight, 4-pin
on Sensors with connection S4(DC,

Binder
-40°C...+85°C°C
yes
yes

Mechanical Data

Measurements WxHxD or Dia x D
Material
Weight
Protection class per IEC 60529
Conductor cross section

54 x 19,5mm
PBTP GV
12g
67IP
max. 0,75mm²mm²

Electrical Data

Supply voltage

10...30VDCV



Datasheet number::

Definitions see general catalog.
If not otherwise noted, ratings according to
IEC 60947-5-2 (DIN EN60947-5-2)

Balluff GmbH
P.O.Box 1160
73761 Neuhausen Germany
Phone (07158) 173-0 Fax (07158) 5010