

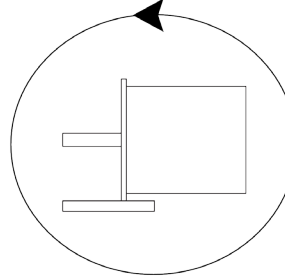
**Part Number: AU2400-1**  
**Movement / Vibration Sensor**  
**Product Data Sheet**

## PICTURE



✓ **RoHS Compliant**

## OPERATION

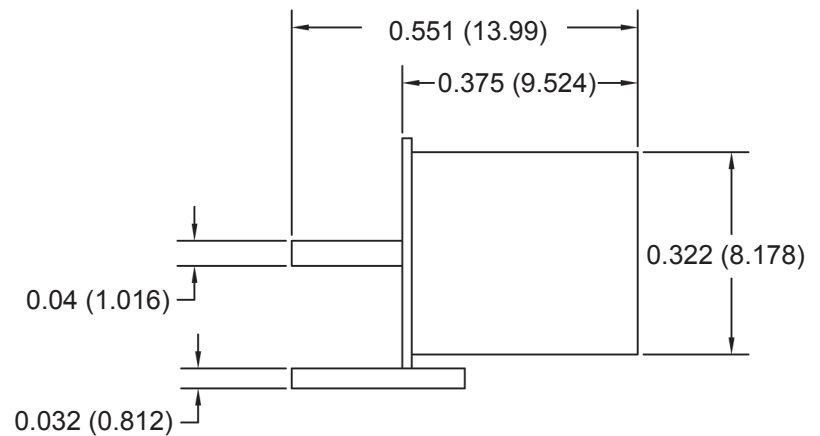
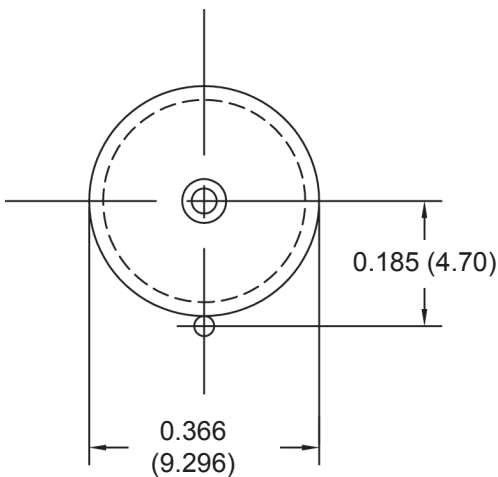


SWITCH MAY BE ON OR OFF IN ANY POSITION. WILL EXHIBIT CHANGE OF STATE UPON MOVEMENT.

## FEATURES

- Resistant to Ambient Environmental Conditions
- Case Material : Gold Plated
- Mechanical Stress Resistant
- Hermetically Sealed & Inert Gas Filled

## DIMENSIONS



Drawings not to scale.  
 All dimensions in inches (mm) nominal.

## SPECIFICATION

|                       |                       |
|-----------------------|-----------------------|
| Contact Capacity      | 25 mA MAX, 24 VDC MAX |
| Contact Resistance    | 100 Ohms              |
| Operating Temperature | -37° +100°C           |

As part of the company policy of continued product improvement, specifications may change without notice. Our sales office will be pleased to help you with the latest information on this product range and the details of our full design and manufacturing service. All products are supplied to our standard conditions of sale unless otherwise agreed in writing.

**Phone: (1) 973 777 6900**

**www.comus-intl.com**

**Fax: (1) 973 777 8405**