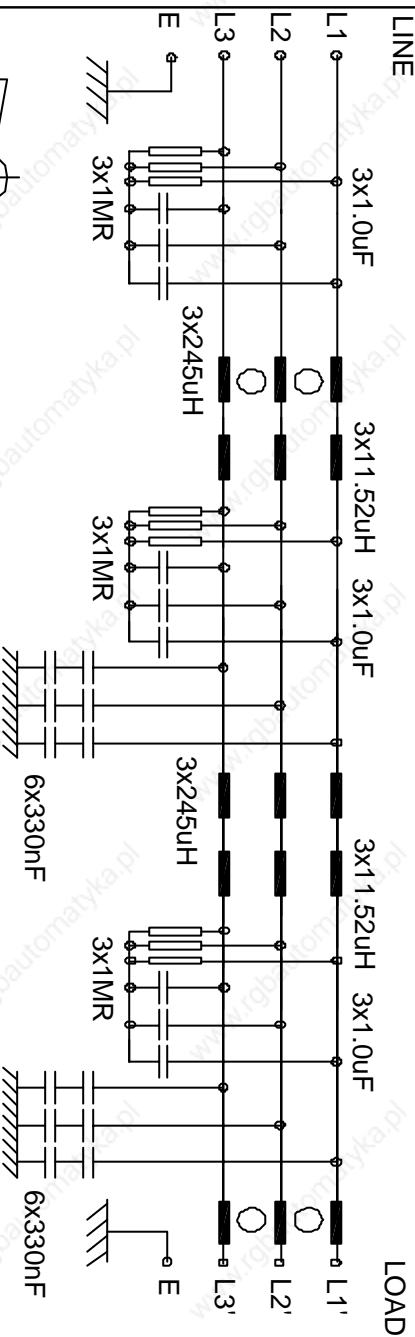


SPECIFICATION

- VOLTAGE 520VAC
- FREQUENCY 50/60Hz
- CURRENT 30A @ 50 deg C
- OVERLOAD CURRENT 150%, 1MIN. 200%, 1SEC
- TEMPERATURE -25 TO 85 deg C
- LEAKAGE CURRENT:-
- AS PER IEC950 = 24mA @ 500V 50Hz
- WORST CASE NOMINAL @ V+10% = 1.6mA
- HUMIDITY 90% RH
- VIBRATION 10-200Hz 1.8G
- SURGE 4kV 1.2/50uS
- ELECTRIC STRENGTH 2500VAC/1min.
- POWER LOSS (FULL LOAD) = 51W
- WEIGHT 1.8kg
- BACK MOUNTING 4x M5
- SIDE MOUNTING 2x M8
- ATTENUATION
- COMMON MODE - 80dB AT 150kHz
- DIFFERENTIAL MODE - 50dB AT 150kHz
- DESIGNED TO MEET EN5622B (DOMESTIC)
- WHEN SCREENED MOTOR CABLE USED
- CONSTRUCTION**
- PERFORATED ALUMINIUM BODY FOR AIR COOLING,
- ALUMINIUM BASE WITH CAPACITOR NETWORKS
- PCB MOUNTED, CHOKES AIR COOLED FIXED TO
- BASE PLATE, INSULATING TERMINAL BOOTS
- SUPPLIED WITH FILTER.



ALL DIMENSIONS IN MM / ANGLES IN DECIMAL DEGREES

DrgNo MIF330—GS

TITLE THREE PHASE 500V 30A MAINS FILTER



GENERAL SPECIFICATION FOR MIF330

CUSTOMER FILTER REF