

Programmable Control Products

***Series 90*PLC
Serial Communications***

User's Manual

GFK-0582D

April 2010



Warnings, Cautions, and Notes as Used in this Publication

Warning

Warning notices are used in this publication to emphasize that hazardous voltages, currents, temperatures, or other conditions that could cause personal injury exist in this equipment or may be associated with its use.

In situations where inattention could cause either personal injury or damage to equipment, a Warning notice is used.

Caution

Caution notices are used where equipment might be damaged if care is not taken.

Note: Notes merely call attention to information that is especially significant to understanding and operating the equipment.

This document is based on information available at the time of its publication. While efforts have been made to be accurate, the information contained herein does not purport to cover all details or variations in hardware or software, nor to provide for every possible contingency in connection with installation, operation, or maintenance. Features may be described herein which are not present in all hardware and software systems. GE Intelligent Platforms assumes no obligation of notice to holders of this document with respect to changes subsequently made.

GE Intelligent Platforms makes no representation or warranty, expressed, implied, or statutory with respect to, and assumes no responsibility for the accuracy, completeness, sufficiency, or usefulness of the information contained herein. No warranties of merchantability or fitness for purpose shall apply.

* indicates a trademark of GE Intelligent Platforms, Inc. and/or its affiliates. All other trademarks are the property of their respective owners.

Contact Information

If you purchased this product through an Authorized Channel Partner, please contact the seller directly.

General Contact Information

Online technical support and GlobalCare	http://www.ge-ip.com/support
Additional information	http://www.ge-ip.com/
Solution Provider	solutionprovider.ip@ge.com

Technical Support

If you have technical problems that cannot be resolved with the information in this guide, please contact us by telephone or email, or on the web at www.ge-ip.com/support

Americas

Online Technical Support	www.ge-ip.com/support
Phone	1-800-433-2682
International Americas Direct Dial	1-780-420-2010 (if toll free 800 option is unavailable)
Technical Support Email	support.ip@ge.com
Customer Care Email	customercare.ip@ge.com
Primary language of support	English

Europe, the Middle East, and Africa

Online Technical Support	www.ge-ip.com/support
Phone	+800-1-433-2682
EMEA Direct Dial	+352-26-722-780 (if toll free 800 option is unavailable or if dialing from a mobile telephone)
Technical Support Email	support.emea.ip@ge.com
Customer Care Email	customercare.emea.ip@ge.com
Primary languages of support	English, French, German, Italian, Czech, Spanish

Asia Pacific

Online Technical Support	www.ge-ip.com/support
Phone	+86-400-820-8208
	+86-21-3217-4826 (India, Indonesia, and Pakistan)
Technical Support Email	support.cn.ip@ge.com (China)
	support.jp.ip@ge.com (Japan)
	support.in.ip@ge.com (remaining Asia customers)
Customer Care Email	customercare.apo.ip@ge.com
	customercare.cn.ip@ge.com (China)

What's new in this Manual

Information has been added about the following products and features:

- Series 90 Serial Port Communications Capabilities table (Chapter 1)
- IC693CPU363 and Series 90–70 CPU serial ports (Chapter 3)
- Break-Free SNP (Chapter 3)
- Serial I/O protocol (Chapters 3 and 9)
- Port Isolator IC690ACC903 (Appendix G)
- SNP multidrop (Appendix H)
- Use of modems (Appendices I, J, and K)
- RTU wiring methods (Chapter 8)

Content of this Manual

This manual describes serial communications products for the Series 90 Programmable Logic Controller (PLC).

For a list of product standards, refer to the latest version of data sheet GFK-0867, *GE Intelligent Platforms Approvals, Standards, General Specifications*.

Installation instructions in this manual are provided for installations that do not require special procedures for noisy or hazardous environments. For installations that must conform to more stringent requirements (such as CE Mark), see GE Intelligent Platforms manual GFK-1179, *Installation Requirements for Conformance to Standards*.

A summary of this manual's contents is provided here:

- Chapter 1. Introduction:** Provides an overview of the manual. Includes a table that matches products with communication features that they support.
- Chapter 2. The CMM - Description, Installation, and Configuration:** Describes how to install and configure the Series 90 Communications Coprocessor Modules (IC693CMM311, IC697CMM711). Includes a description of the modules and how they operate in the system.
- Chapter 3. Series 90 CPU Serial Ports:** Describes the serial ports on the Series 90-30 models CPU351, 352, and 363 CPUs and the Series 90–70 models CPX772, 782, 928, 935, and CGR772 and 935 CPUs .
- Chapter 4. Initiating Communications - The COMMREQ:** Explains how to initiate communications from the ladder logic. The structure of the COMMREQ ladder instruction is described in detail.
- Chapter 5. CCM Service:** Defines the CCM service commands; explains how the parameters of the service commands are included in the Data Block of the COMMREQ. Numerous ladder programming examples are given.

- Chapter 6. SNP Service:** Defines the SNP and SNP-X service commands; explains how the parameters of the service commands are included in the Data Block of the COMMREQ. Numerous ladder programming examples are given.
- Chapter 7. Protocol Definitions - CCM, RTU, SNP, SNP-X:** Describes the CCM, RTU, SNP, and SNP-X Protocols.
- Chapter 8. Cable Connection Diagrams:** Describes how to construct serial communications cables and wire them to serial devices. Includes new section on RTU 2/4-wire, and data sheets for the IC693CBL316 serial “Station Manager” cable and the IC690CBL714A serial Multidrop cable.
- Chapter 9. Serial I/O Protocol:** Describes how to use this feature to write custom protocols for communicating with devices such as bar code readers and papers.
- Appendix A. Glossary:** Contains a concise, alphabetized listing of communications terms and acronyms.
- Appendix B. ASCII Code List:** Contains a complete ASCII Code List.
- Appendix C. CCM Compatibility:** Provides a comparison among the Series 90, Series Six, Series Five, and Series One PLC CCM protocol implementations.
- Appendix D. RTU Compatibility:** Provides a comparison among the Series 90, Series Six, and Series Five PLC RTU implementations.
- Appendix E. Serial Line Interface:** Describes the Serial Line Interface as implemented by the Series 90 PLCs.
- Appendix F. Communication Networks:** Describes the types of communications networks that can be used to interconnect Series 90 PLCs.
- Appendix G. IC690ACC903 Port Isolator:** Data sheet for the Port Isolator product.
- Appendix H. SNP Multidrop:** Describes various configurations of SNP multidrop for Series 90 products. Discusses cables and troubleshooting.
- Appendix I. General Modem Information:** Modem recommendations, operating tips, and sample diagram.
- Appendix J. Using Modems with LM90:** Describes how to set communications parameters in Logicmaster when using modems.
- Appendix K. Modem Setup with VersaPro and Control:** Describes how to set communications parameters in VersaPro or Control when using modems.
- Appendix L. Getting Help:** Lists phone numbers and web addresses where you can obtain help for a variety of serial communications problems.
- Appendix M. Series 90 Micro Serial Ports:** Describes the capabilities of the Series 90 Micro PLC serial ports.

- Appendix N. IC655CCM590 Isolated Repeater Converter (Obsolete Product):** Provides a data sheet for this product.
- Appendix O. IC690ACC901 Miniconverter/Cable Kit:** Provides a data sheet for this product.

Related Publications

- GFK-0255 *Series 90™ Programmable Coprocessor Module and Support Software User's Manual*
- GFK-0487 *Series 90™ Programmable Coprocessor Module Reference Manual*
- GFK-0263 *Logicmaster™ 90-70 Programming Software User's Manual*
- GFK-0265 *Logicmaster 90™-70 Programmable Controller Reference Manual*
- GFK-0466 *Logicmaster™ 90 Series 90™-30/20/Micro Programming Software User's Manual*
- GFK-0467 *Logicmaster 90™-30/20/Micro Programmable Controller Reference Manual*
- GFK-0402 *Hand-Held Programmer for Series 90™-30/20/Micro programmable Controllers User's Manual*
- GFK-0262 *Series 90™-70 Programmable Controller Installation Manual*
- GFK-0356 *Series 90™-30 Programmable Controller Installation Manual*

Chapter 1	Introduction	1-1
	Quick Guide to the Manual	1-1
	Series 90 Serial Port Communications Capabilities	1-2
	Series 90 Micro PLC Serial Communications Protocol Support	1-3
	Serial Communications Protocol Overview	1-3
 Chapter 2	 The Communications Coprocessor Modules	 2-1
	Overview of the CMM	2-1
	Section 1: Description of CMM Hardware and Operation	2-2
	LED Indicators	2-3
	Restart/Reset Pushbutton	2-4
	Serial Ports	2-4
	Section 2: Installing and Configuring the CMM	2-7
	What you will Need	2-7
	Installing the CMM Hardware	2-8
	Configuring the CMM	2-10
	I/O Rack Configuration	2-10
	CMM Configuration Modes	2-10
	Description of Communications Parameters	2-12
 Chapter 3	 Series 90 CPU Serial Ports	 3-1
	Overview	3-1
	Series 90-30 CPU Serial Ports	3-2
	Standard SNP Port (Accessed Through Power Supply Connector)	3-5
	Series 90-70 CPU Serial Ports	3-6
	Features Supported on Series 90-70 CPU Serial Ports	3-7
	General Series 90 CPU Serial Communication Information	3-9
	Configuring Serial Ports 1 and 2 with a COMMREQ	3-15
 Chapter 4	 Initiating Communications - The COMMREQ	 4-1
	Section 1: The Communications Request	4-2
	Structure of a Serial Communications Request	4-2
	Operation of the Communications Request	4-3
	Timing for Processing CMM Communications Requests	4-4

	Section 2: The COMMREQ Ladder Instruction	4-5
	Section 3: The COMMREQ Command Block	4-7
Chapter 5	CCM Service	5-1
	Section 1: The CCM COMMREQ Data Block	5-2
	Structure of the CCM Data Block	5-2
	Data Block Summary for CCM Commands	5-3
	CCM Memory Types	5-5
	The CCM Scratch Pad (Memory Type 6)	5-6
	Diagnostic Status Words	5-8
	CCM Memory Addressing and Data Lengths	5-9
	CCM Memory Addresses	5-9
	CCM Data Lengths	5-10
	Section 2: The CCM COMMREQ Status Word	5-11
	Section 3: CCM COMMREQ Programming Examples	5-14
	Ladder Program Example	5-14
	CCM Command Examples	5-16
	Set Q Response: 06001 (1771)	5-16
	Clear CCM Diagnostic Status Words: 06002 (1772)	5-17
	Read CCM Diagnostic Status Words to Source Registers: 06003 (1773) ...	5-17
	Software Configuration Command: 06004 (1774)	5-18
	Read Target to Source Memory: 06101-06103 (17D5-17D7)	5-19
	Read Q-Response to Source Register Table: 06109 (17DD)	
	5-20
	Single Bit Write: 06110 (17DE)	5-21
	Write to Target from Source: 06111-06113 (17DF-17E1)	5-22
Chapter 6	SNP Service	6-1
	Section 1: The SNP COMMREQ Data Block	6-2
	SNP Memory Types and Addressing	6-3
	Section 2: The SNP Status Word	6-4
	SNP Major Error Codes	6-5
	SNP Minor Error Codes	6-6

Section 3: SNP COMMREQ Programming Example	6-16
Ladder Program Example	6-16
SNP Commands	6-20
Clear Diagnostic Status Words: 07000 (1B58)	6-21
Read Diagnostic Status Words: 07001 (1B59)	6-22
Change SNP ID: 07002 (1B5A)	6-24
Set X-Status Bits Address: 07003 (1B5B)	6-25
Disable Break-Free SNP Slave Operation: 07004 (1B5C)	6-27
Enable Break-Free SNP Slave Operation COMMREQ: 7005 (1B5D)	6-29
X-Read: 07101 (1BBD)	6-30
X-Write: 07102 (1BBE)	6-32
Attach: 07200 (1C20)	6-34
Change Privilege Level: 07201 (1C21)	6-38
Read System Memory: 07202 (1C22)	6-40
Write System Memory: 07203 (1C23)	6-41
Read Task Memory: 07204 (1C24)	6-42
Write Task Memory: 07205 (1C25)	6-43
Read Program Block Memory: 07206 (1C26)	6-44
Write Program Block Memory: 07207 (1C27)	6-45
PLC Short Status: 07208 (1C28)	6-46
Return Control Program Name: 07209 (1C29)	6-48
Return Controller Type and ID Information: 07210 (1C2A)	6-50
Return PLC Time/Date: 07211 (1C2B)	6-52
Return Fault Table: 07212 (1C2C)	6-53
Set PLC Time/Date: 07213 (1C2D)	6-55
Toggle Force System Memory: 07214 (1C2E)	6-56
Establish Datagram: 07215 (1C2F)	6-58
Update Datagram: 07216 (1C30)	6-61
Cancel Datagram: 07217 (1C31)	6-62
Update Real-Time Datagram: 07218 (1C32)	6-63
Long Attach: 07300 (1C84)	6-65
Autodial Command: 07400 (1CE8)	6-68
 Chapter 7 Protocol Definition - CCM, RTU, SNP/SNP-X	 7-1
Section 1: CCM Protocol	7-2
Overview of CCM Protocol	7-2
CCM Peer-to-Peer Mode	7-7
CCM Master-Slave Mode	7-9
Protocol Timing and Retry Specifications	7-11
CCM Protocol State Tables	7-13
CCM Peer State Table	7-14
CCM Master State Table	7-16
CCM Master Actions	7-17
CCM Slave State Table	7-18
CCM Slave Actions	7-19

Section 2: RTU Protocol	7-20
Introduction	7-20
Message Format	7-20
Message Types	7-21
Message Fields	7-22
Message Length	7-24
Character Format	7-24
Message Termination	7-24
Timeout Usage	7-24
Cyclic Redundancy Check (CRC)	7-25
Calculating the CRC-16	7-26
Example CRC-16 Calculation	7-26
Calculating the Length of Frame	7-28
Message Descriptions	7-29
Communication Errors	7-44
Invalid Query Message	7-44
Serial Link Timeout	7-45
Invalid Transactions	7-46
Section 3: SNP Protocol	7-47
Overview of SNP Protocol	7-47
SNP Master-Slave Operation	7-47
SNP Timers	7-50
SNP Datagrams	7-54

Section 4: SNP-X Protocol	7-57
Overview of SNP-X Protocol	7-57
SNP-X Communication Session	7-57
Error Handling	7-58
Broadcast Capability	7-58
Modem Support	7-58
Slave PLC Status Word	7-59
Slave Memory Access Bits (X-Status Bits)	7-59
Timers	7-60
Block Check Code (BCC)	7-62
SNP-X Protocol Sequence	7-63
Establish Session	7-64
Directed Commands	7-64
Broadcast Commands	7-65
SNP-X Message Structure	7-67
X-Request Message Structure	7-67
X-Response Message Structure	7-69
X-Buffer Message Structure	7-71
SNP-X Commands	7-72
X-Attach Command	7-72
X-Read Command	7-75
X-Write Command	7-77
SNP-X State Tables	7-84
SNP-X Master State Table	7-84
SNP-X Master Actions	7-85
SNP-X Slave State Table	7-86
SNP-X Slave Actions	7-87
Chapter 8 Cable Connection Diagrams	8-1
Section 1: Cable Assembly Specifications	8-2
Section 2: RS-232 Cable Diagrams	8-3
Section 3: RS-422/RS-485 Cable Diagrams	8-5
RS-422/RS-485 Interface and Cabling Information	8-5
RS-422/RS-485 Cable Diagrams	8-6
2-Wire and 4-Wire RTU RS422/RS485 Cable Connections	8-10
2-Wire and 4-Wire RS-422/RS-485 Serial I/O Connections	8-14

Section 4: IC693CBL316 Serial Cable	8-16
Section 5: IC690CBL714A Multidrop Cable	8-17
Chapter 9 Serial I/O Protocol	9-1
Overview of Serial I/O Protocol Communications	9-2
Serial Communications Sequence of Operations	9-3
Format of the Communication Request Function	9-4
Command Block for the COMMREQ Function	9-5
Example of a Serial I/O COMMREQ Instruction	9-6
Configuring Serial Ports Using the COMMREQ Function	9-8
RTU Slave/SNP Slave Operation With Programmer Attached	9-9
COMMREQ Command Block for Configuring SNP Protocol	9-10
COMMREQ Data Block for Configuring RTU Protocol	9-11
COMMREQ Data Block for Configuring Serial I/O Protocol	9-12
Calling Serial I/O COMMREQs from the PLC Sweep	9-13
Serial I/O COMMREQ Status Word Codes	9-14
Serial I/O COMMREQ Commands	9-16
COMMREQ Overlap Considerations	9-17
Initialize Port Function (4300)	9-18
Set Up Input Buffer Function (4301)	9-19
Flush Input buffer Function (4302)	9-20
Read port status Function (4303)	9-21
Port Status Words	9-22
Write port control Function (4304)	9-23
Cancel COMMREQ Function (4399)	9-24
Autodial Function (4400)	9-25
Autodial Command Block	9-26
Write bytes Function (4401)	9-27
Read bytes Function (4402)	9-28
Return Data Format for the Read Bytes Function	9-29
Read String Function (4403)	9-30
Return Data Format for the Read String Function	9-31
Appendix A Glossary A-1	
Commonly used Acronyms and Abbreviations	A-2
Glossary of Terms	A-3

Appendix B	ASCII Code List	B-1
Appendix C	CCM Compatibility	C-1
Appendix D	RTU Compatibility	D-1
Appendix E	Serial Line Interface	E-1
	Information Codes	E-1
	Transmission Errors and Detection	E-2
	Noise Errors	E-2
	Transmission Timing Errors	E-3
	Asynchronous Transmission	E-4
	Serial Communications Line	E-5
	Modems	E-5
	Interface Standards	E-6
Appendix F	Communication Networks	F-1
	Point-To-Point	F-1
	Multidrop	F-2
	Modem Transmission	F-3
Appendix G	IC690ACC903 Port Isolator	G-1
Appendix H	SNP Multidrop	H-1
	SNP Multidrop Overview	H-1
	Cable and Connector Specifications	H-2
	SNP Multidrop Examples	H-4
	Configuring and Connecting a Programmer to a Multidrop Network	H-5
	SNP Multidrop Troubleshooting	H-6
Appendix I	General Modem Information	I-1
	Introduction	I-1
	Example Modem Application	I-2
	I-2
	Modem Recommendations	I-3
	General Modem Issues	I-4
	Modem Operating Notes	I-5
Appendix J	Using Modems with Logicmaster	J-1
	Introduction	J-1
	Setting PLC CPU Communications Parameters in Logicmaster	J-2
	Using Logicmaster's Auto-Dialer Utility	J-4
	Using Windows) HyperTerminal	J-7

Contents

Appendix K Using Modems with VersaPro and Control	K-1
Introduction	K-1
Contents of this Appendix	K-1
PLC CPU Configuration	K-2
Installing a Modem in Windows	K-3
Setting Up the Communications Configuration Utility (CCU)	K-6
Connecting to the PLC	K-9
Using HyperTerminal to Establish Connection	K-10
Appendix L Getting Help	L-1
Getting Additional Help and Information	L-1
Series 90 Product Repair	L-2
Modem Support	L-2
EIA Standards	L-2
Appendix M Series 90 Micro PLC Serial Ports	M-1
Appendix N IC655CMM590 Isolated Repeater/Converter	N-1
Description of the Isolated Repeater/Converter	N-1
System Configurations	N-5
Cable Diagrams for IC655CMM590 Converter	N-7
Appendix O IC690ACC901 Miniconverter and Cable Kit	O-1

Chapter 1

Introduction

This chapter includes a quick reference to the manual and provides a summary of the serial communications capabilities of the Series 90 products.

Quick Guide to the Manual

The purpose of this manual is to describe how to use the serial communications features of the Series 90 Communications Coprocessor Modules (CMMs) and CPUs. Hardware topics include installing the modules and constructing and installing the serial communications cables. Software topics include configuring the modules using GE PLCs Software and programming serial communications requests (COMMREQs) in ladder diagrams.

Topics	Where to go in the Manual
Communications Capabilities Table and protocol overview	Chapter 1: Introduction
Hardware	
- The Communications Coprocessor Module (CMM)	Chapter 2: The CMM - Description, Installation, and Configuration
- Description of Series 90 CPU Serial Ports	Chapter 3: Series 90 CPU Serial Ports
- Communications Cables, Isolated Repeater/Converter, Miniconverter Port Isolator	Chapter 8: Serial cables, isolators, and converters
- Modems	Appendix I, J, and K: Modem basics, setting modem parameters
Software	
- Module Configuration	Chapter 2: CMM Configuration Chapter 3: CPU Configuration
- Ladder Programming (COMMREQ)	Chapter 4: Initiating Communications - The COMMREQ Chapter 5: CCM Service Chapter 6: SNP Service
- Protocol Descriptions	Chapter 7: Protocol Definition - CCM, RTU, SNP, SNP-X
- Serial I/O Protocol	Chapter 9: Protocol definition, programming example

Series 90 Serial Port Communications Capabilities

Series 90 Serial Port Communications Capabilities				
Protocol or Feature	Series 90–30 CPU Ports 1 and 2 ⁶	Series 90–70 CPUs	Series 90 PCMs	Series 90 CMMs
SNP (slave)	Yes	Yes	Yes ³ (with C file)	Yes
SNP (master)	Yes ¹	No	Yes ³ (with C file)	Yes
Break-Free SNP	Yes ¹	Yes ¹	No	No
SNP–X (slave)	Yes	No	Yes ³ (with C file)	Yes
SNP–X (master)	No	No	Yes ³ (with C file)	Yes
RTU (slave)	Yes ²	No	Yes ³ (with Megabasic file)	Yes
RTU (master)	No	No	Yes ³ (with Megabasic file)	No
CCM (slave)	No	No	Yes	Yes
CCM (master & peer)	No	No	Yes	Yes
Serial I/O Read	Yes ⁴	No	No	No
Serial I/O Write	Yes ²	No	No	No
MegaBasic programming	No	No	Yes	No
C programming	Yes ⁵	Yes	Yes	No
Datagrams	Yes ¹	Yes	Yes ³ (with C file)	Yes
C programmer “printf” support	No	Yes ¹	Yes	No
C–Debugger support	No	Yes ¹	No	No
RS–232	Port 1	Port 1	All ports except for Port 2 of PCM300	All ports
RS–422/485	Ports 2 and 3, and Standard SNP port on single port CPUs	Ports 2 and 3, and Standard SNP port on single port CPUs	Port 2 of PCM300, PCM301, and PCM311 Both ports of PCM711	Port 2 of CMM311 Both ports of CMM711

- 1 Not available for all CPU firmware releases and may not be supported by all releases of Logicmaster, VersaPro, or Control PLC programming software. See Chapter 3 for details on CPU capabilities.
- 2 Only available on Ports 1 and 2 of CPUs 351 (firmware release 8.00 and later), 352 (firmware release 8.00 and later), and 363 (all versions), starting with firmware release 8.00. See Chapter 3 for additional information.
- 3 Requires an application file, which can be downloaded free of charge from the GE Intelligent Platforms Technical Support web site (<http://www.ge-ip.com/support>).
- 4 Only available on CPUs 352 and 363 starting with firmware release 10.00. See Chapter 3 for additional information.
- 5 Only available on CPUs 350 and higher.
- 6 Only CPUs 351, 352, and 363 have Ports 1 and 2. The Standard SNP port on all Series 90–30 CPUs (accessed through the power supply connector) only supports SNP slave and SNP–X slave protocols.

Series 90 Micro PLC Serial Communications Protocol Support

Micro PLCs	SNP/SNPX Slave	SNP/SNPX Master*	4-Wire RTU Slave*	2-Wire RTU Slave*
14-point	Port 1 All releases	not supported	Port 1 Rel. 3.00 and later	Port 1 Rel. 3.10 and later
23-point	Ports 1 and 2, Rel. 3.00 and later	Port 2 Rel. 3.00 and later	Port 2 Rel. 3.00 and later	Port 2 Rel. 3.10 and later
28-point	Ports 1 and 2, Rel. 2.01 and later	Port 2 Rel. 3.00 and later	Port 2 Rel. 3.00 and later	Port 2 Rel. 3.10 and later

*Also requires the following versions or later hardware: IC693UDR001LP1, IC693UDR002LP1, IC693UAA003JP1, IC693UDR005JP1, IC693UAL006BP1, IC693UAA007HP1, and IC693UDR010BP1.

Serial Communications Protocol Overview

SNP and SNP-X Protocols

The SNP protocol is a proprietary communications protocol developed by GE Intelligent Platforms. It is the native communications protocol for all models of the Series 90 PLC product line.

The SNP-X protocol is a highly optimized extension of SNP. While it offers fewer functions than SNP, SNP-X is simpler to use and provides a significant performance improvement over SNP. It does not support PLC programming or configuration operations.

The SNP and SNP-X protocol allows for the following types of operation:

- *Master* - the initiating device in a Master/Slave system (only available on CMM and PCM modules).
- *Slave* - the responding device in a Master/Slave system.

The SNP master and slave as implemented on the CMM module do not support PLC programming or configuration functions. Logicmaster 90 may be connected to a CMM serial port configured as an SNP slave for data display and modification only. (The SNP-X protocol does not support PLC programming or configuration under any circumstances.)

The SNP and SNP-X protocols can be enabled on none, one, or both serial ports of the CMM module using either the RS-232 or RS-422/RS-485 electrical standard. Essentially, any combination of protocols, ports, and electrical standards are available with one exception: The Series 90-30 CMM cannot support RS-422/RS-485 on port 1. Port selection, data rate, parity, flow control, number of stop bits, timeouts, and turnaround delay values can be configured.

CCM Protocol

CCM protocol is included in the EPROM firmware for both the Series 90-70 and Series 90-30 CMM modules. The CCM protocol was originally developed for the Series Six Communications Control Module (CCM) and is available on most GE PLCs. It is available on the CMM and PCM modules, but not on Series 90 CPU serial ports.

The CCM protocol allows for the following types of operation:

- *Master* - the initiating device in a Master/Slave system.
- *Slave* - the responding device in a Master/Slave system.

- *Peer* - initiates and responds to another Peer device.

The CCM protocol can be enabled on none, one, or both of the serial ports of the CMM module using either the RS-232 or RS-422/RS-485 electrical standard. Essentially, any combination of protocols, ports, and electrical standards are available with one exception: The Series 90-30 CMM *cannot* support RS-422/RS-485 on port 1. Port selection, data rate, parity, flow control, timeouts, turnaround delay, station address/CPU ID, and retry values can be configured.

RTU Protocol

RTU protocol is available on the Series 90-30 CPU ports, 351, 352 and 363 serial ports, and the Series 90-70 and Series 90-30 CMM modules. RTU protocol as implemented on the CMM is a subset of the Modbus™ Remote Terminal Unit (RTU) serial communications protocol.

RTU is a half-duplex protocol. It is commonly wired in either of two configurations: 2-Wire or 4-Wire. For details on this subject, please refer to the section “2-Wire and 4-Wire RTU” in Chapter 7.

The RTU protocol as implemented on the CMMs and CPUs provides for Slave operation only. However, a MegaBasic application file is available that enables a PCM module to support the RTU Master or Slave implementation. This file is available for free download from the GE Intelligent Platforms technical Support site. See Appendix G, “Getting Help,” for information on the GE Intelligent Platforms web site.

- *Master* - the initiating device in a Master/Slave system.
- *Slave* - the responding device in a Master/Slave system.

The RTU protocol can be enabled on none, one, or both of the serial ports of the CMM module, on several CPU serial ports, and on PCM serial ports (using the MegaBasic application file) using either the RS-232 or RS-422/RS-485 electrical standard. Essentially, any combination of protocols, ports, and electrical standards are available with one exception: The Series 90-30 CMM *cannot* support RS-422/RS-485 on port 1. Port selection, station address, data rates, flow control, and parity values can be configured.

Additional RTU Solutions

- Horner Electric makes RTU master modules for the Series 90–30 (HE693RTM705) and Series 90–70 (HE697RTM700) PLCs. Contact your GE Intelligent Platforms distributor or Horner Electric (see Chapter L for information).
- The Series 90 PCM modules can serve as an RTU master by using the MegaBasic application file that can be downloaded free of charge from the GE Intelligent Platforms Technical Support web site (<http://www.ge-ip.com/support>).

™ Modbus is a trademark of Gould, Inc.

Chapter 2

The Communications Coprocessor Modules

This chapter describes the Communications Coprocessor modules (CMM311, CMM711) and explains how to install and configure the modules. Also included is a discussion of the system operation of the modules in the Series 90 PLC:

The chapter is divided into two sections.

- Section 1: Description of CMM Hardware and Operation
- Section 2: Installing and Configuring the CMM

Overview of the CMM

The Communications Coprocessor Module (CMM) is a high-performance microcomputer designed to perform communications functions in a Series 90 PLC system.

The CMM is closely coupled to the Series 90 PLC and may be configured to behave as two independent communications ports. For many applications, each port behaves like an independent window into the PLC for access by other devices, such as industrial computers and color graphic terminals. Many applications, which accessed the Series Six PLC user reference tables using CCM or RTU protocols, can now support the Series 90 PLC with little or no change. Many applications, which access the Series 90 PLC via the built-in serial port on the PLC CPU using SNP protocol, can now access the PLC via the CMM module.

Each CMM occupies a single slot in a Series 90 PLC rack. Up to 28 CMMs may be installed in a single Series 90-70 PLC system to improve access to serial I/O devices and to access PLC memory. In Series 90-30 PLCs, up to 4 CMMs may be installed in the main rack (baseplate).

Section 1: Description of CMM Hardware and Operation

This section covers the following topics for both the CMM711 for the Series 90-70 PLC and the CMM311 for the Series 90-30 PLC.

- LED Indicators
- Restart/Reset Pushbutton
- Serial Connectors
- System Operation

The figures below show the layout of the CMM modules:

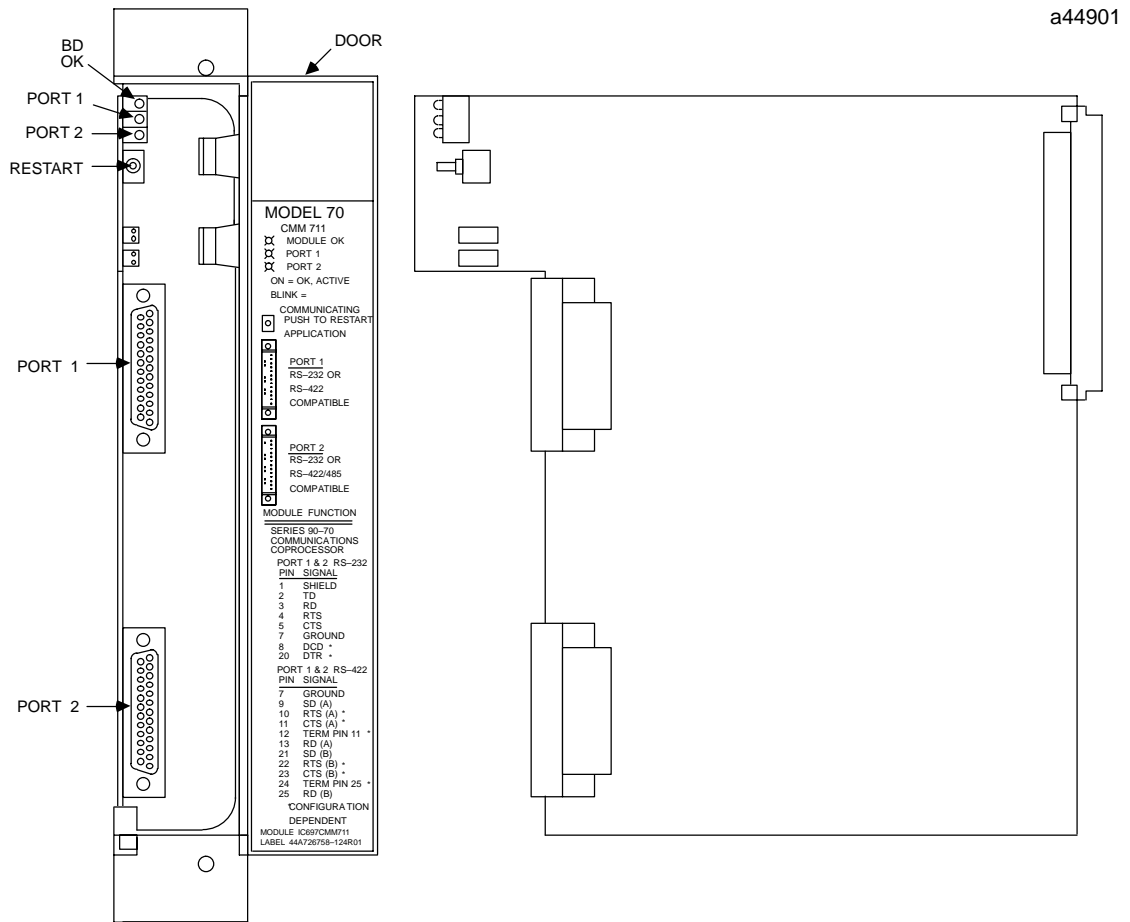


Figure 2-1. Series 90-70 CMM (CMM711)

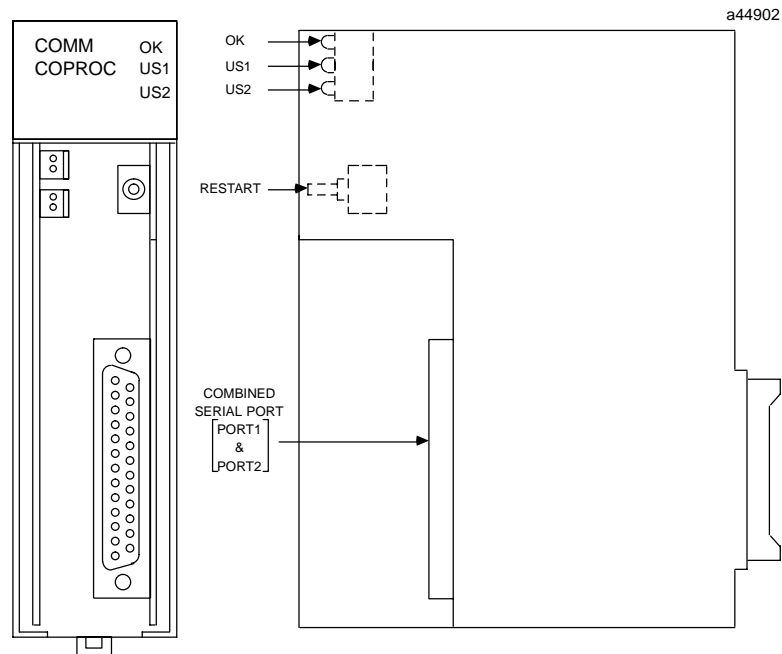


Figure 2-2. Series 90-30 CMM (CMM311)

Except for the serial port connectors, the user interfaces for the CMM311 and CMM711 are the same. The Series 90-70 CMM711 has two serial port connectors. The Series 90-30 CMM311 has a single serial port connector supporting two ports. Each of the user interfaces are discussed below in detail.

LED Indicators

The three LED indicators, as shown in the figures above, are located along the top front edge of the CMM board.

Module OK LED

The MODULE OK LED indicates the current status of the CMM board. It has three states:

Off: When the LED is off, the CMM is not functioning. This is the result of a hardware malfunction (that is, the diagnostic checks detect a failure, the CMM fails, or the PLC is not present). Corrective action is required in order to get the CMM functioning again.

On: When the LED is steady on, the CMM is functioning properly. Normally, this LED should always be on, indicating that the diagnostic tests were successfully completed and the configuration data for the module is good.

Flashing: The LED flashes during power-up diagnostics.

Serial Port LEDs

The remaining two LED indicators, PORT1 and PORT2 (US1 and US2 for the Series 90-30 CMM311) blink to indicate activity on the two serial ports. PORT1 (US1) blinks when port 1 either sends or receives data; PORT2 (US2) blinks when port 2 either sends or receives data.

Restart/Reset Pushbutton

If the Restart/Reset pushbutton is pressed when the MODULE OK LED is on, the CMM will be re-initialized from the Soft Switch Data settings.

If the MODULE OK LED is off (hardware malfunction), the Restart/Reset pushbutton is inoperative; power must be cycled to the entire PLC for CMM operation to resume.

Serial Ports

The serial ports on the CMM are used to communicate with external devices. The Series 90-70 CMM (CMM711) has two serial ports, with a connector for each port. The Series 90-30 CMM (CMM311) has two serial ports, but only one connector. The serial ports and connectors for each PLC are discussed below.

Serial Ports for the CMM711

The Series 90-70 CMM has two serial ports, each of which support both RS-232 and RS-485 modes. The pin assignments of the serial ports are identical.

Note

When using the RS-485 mode, the CMM can be connected to RS-422 devices as well as RS-485 devices.

The connector pin assignments for both ports of the Series 90-70 CMM are shown below:

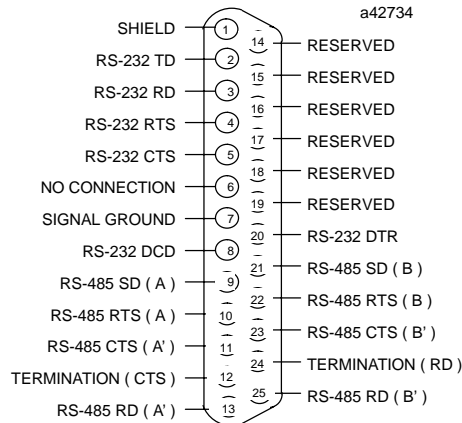


Figure 2-3. Serial Port Pin Assignments for the Series 90-70 CMM

Note

In the figure above, SD (Send Data) and RD (Receive Data) are the same as TXD and RXD (used in the Series Six™ PLC). (A) and (B) are the same as – and +. A' and B' denote inputs, and A and B denote outputs. To terminate the RS-485 CTS input signal, jumper pins 11 and 12; to terminate the RD input signal, jumper pins 24 and 25.

Serial Ports for the IC693CMM311

The Series 90-30 CMM has a single serial connector which supports two ports. Port 1 applications must use the RS-232 interface. Port 2 applications can select either the RS-232 or RS-485 interface.

NOTE

When using the RS-485 mode, the CMM can be connected to RS-422 devices as well as RS-485 devices.

The connector pin assignments for the Series 90-30 CMM are shown below.

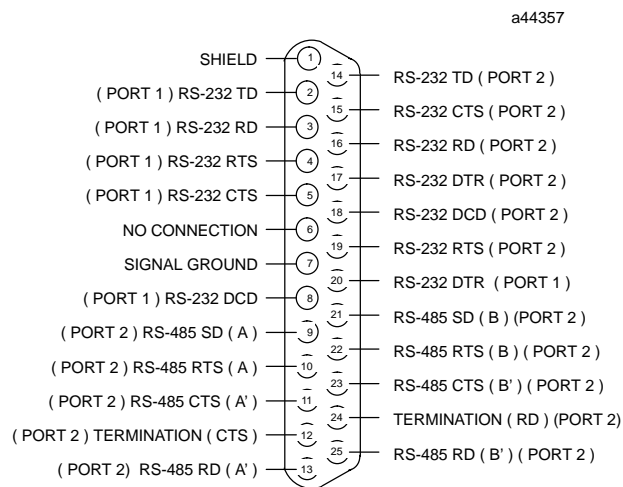


Figure 2-4. Serial Port Pin Assignments for the IC693CMM311

The RS-485 signals for port 2 and the RS-232 signals for port 1 are assigned to the standard connector pins. The RS-232 signals for port 2 are assigned to normally unused connector pins.

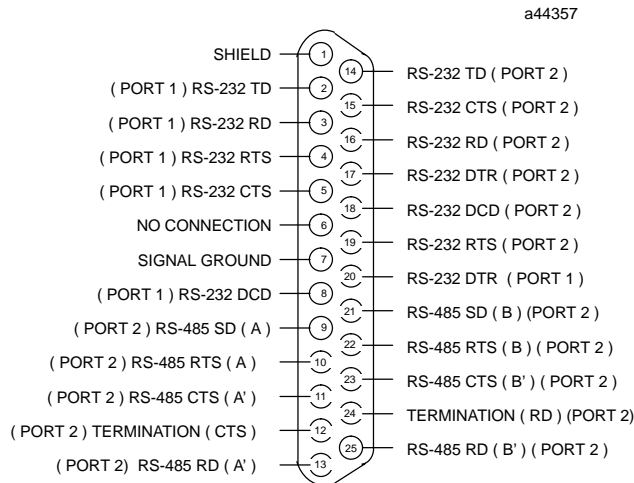
IC693CBL305 Wye Cable

A Wye cable (IC693CBL305) is supplied with each Series 90-30 CMM and PCM module. The purpose of the Wye cable is to separate the two ports from a single physical connector (that is, the cable separates out the signals). In addition, the Wye cable makes cables used with the Series 90-70 CMM fully compatible with the Series 90-30 CMM and PCM modules.

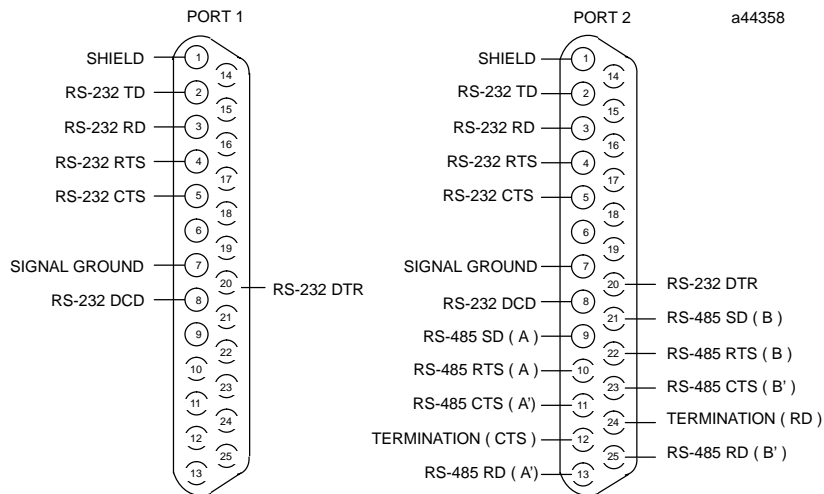
The IC693CBL305 Wye cable is 1 foot in length and has a right angle connector on the end that connects to the serial port on the CMM module. The other end of the cable has dual connectors; one connector is labeled **PORT 1**, the other connector is labeled **PORT 2** (see figure below).

The IC693CBL305 Wye cable routes the Port 2, RS-232 signals to the RS-232 designated pins. If you do not use the Wye cable, you will need to make a special cable to connect RS-232 devices to Port 2.

See the following figure for IC693CBL305 cable connection information.



Single Connector End



Wye Connector End

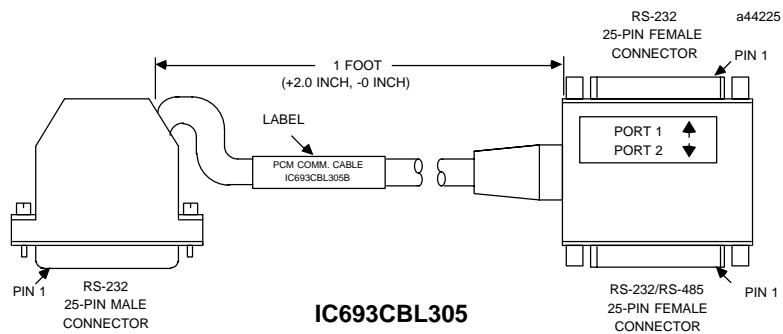


Figure 2-5. IC693CBL305 Wye Cable Connections

Section 2: Installing and Configuring the CMM

This section explains how to install the CMM in the rack (Series 90-70) or baseplate (Series 90-30) and how to configure the module using Logicmaster 90 or the windows-based programming software. Topics covered are:

- What you will Need
- Installing the CMM
- Configuring the CMM

What you will Need

Before you can begin the installation procedure, you must have the following equipment and software packages:

- A Series 90-70 or Series 90-30 Programmable Logic Controller (PLC).
(For Series 90-30, the CPU must be a model CPU331 or higher.)
- A Communications Coprocessor Module (CMM) to install and test:
 - IC697CMM711 for a Series 90-70 CMM
 - IC693CMM311 for a Series 90-30 CMM

If this application uses CCM protocol with standard default settings for a Series 90-30 CMM (CMM 311), no other equipment is required.

For other applications, you will also need the following:

- A computer with a hard disk.
- Programming software (either Logicmaster 90 or windows-based programming software).

Installing the CMM Hardware

The first step in the installation procedure is to physically install the CMM hardware and verify that it is working properly.

Overview

In a single rack system, the CMM resides in the same rack as the CPU. In a Series 90-70 multiple rack system, the CMM can reside in either the CPU rack or in an expansion rack. The Series 90-30 CMM must reside in the same rack as the CPU.

The following illustration shows one possible system configuration for installing a Series 90-70 CMM in a local or expansion rack:

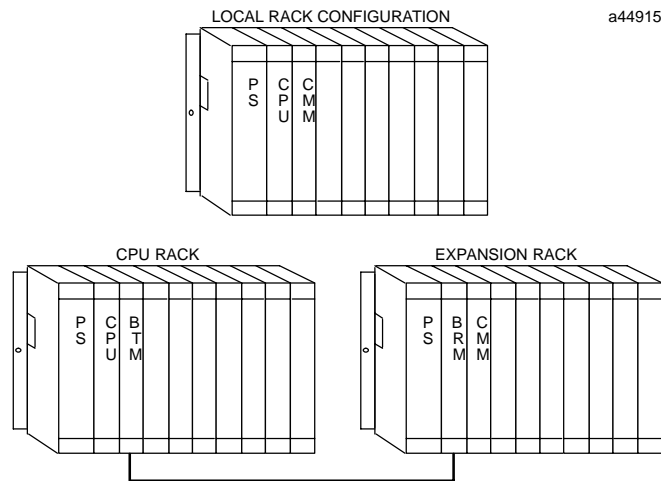


Figure 2-6. Series 90-70 CMM Configurations

The power supply, CPU, and Series 90-70 Bus Expansion Module must reside in specific slots within the rack. The term Bus Expansion Module includes both Bus Transmitter Modules and Bus Receiver Modules. The CPU Module must be located in slot 1 of rack 0.

The Series 90-70 system usually includes a Bus Transmitter Module (BTM). Version A of the Bus Transmitter Module must be located to the right of all other GE boards; version B must be located in slot 2 of rack 0. If the PLC system will have more than one rack, a Bus Receiver Module (BRM) must be located in slot 1 of each expansion rack.

The CMM can be placed in any slot not already allocated in any rack, with the following cautions:

- The configuration files created by the LogiMaster 90 configuration software must match the physical configuration of the modules. If they do not, the controller may not operate as expected. Any faults will be logged in the PLC fault table.
- When CMMs are in a Series 90-70 rack, all the slots between the CMM and the PLC CPU must be occupied. If any of these slots are empty, the CMM will not be able to communicate across the backplane to the Series 90-70 PLC CPU.
- The Series 90-30 CMM must be in the main rack (baseplate) with the PLC CPU.

Installing the CMM in the Rack

To install the CMM in the rack, follow these steps:

1. Set the PLC CPU to STOP. This will prevent the local PLC application program, if any, from initiating any command that may affect the operation of the module.
2. Power down the Series 90 PLC system.
3. Locate the desired rack and slot.
4. Slide the CMM completely into the slot. The three LEDs will be at the top of the board.
5. Press down firmly to lock the board in place, but do not use excessive force.
6. Power up the PLC rack. The top LED (MODULE OK) of the Series 90-70 CMM will flash during power-up diagnostics. It continues to flash while waiting for configuration data from the CPU. If no signal is received across the backplane for 30 seconds, the Series 90-70 CMM will assume the CPU is not there and continue to power up without it. Once the CMM is ready, this LED should stop flashing and remain ON.

Note

The top LED (MODULE OK) of the Series 90-30 CMM will not light if the PLC is not present, or if the CMM fails its power-up diagnostics.

7. Repeat this procedure for each CMM.

Troubleshooting

After completing the above steps to install the CMM, the MODULE OK (BD OK) LED should be on continuously. If it is not, the problem may be either that the LED is burned out, or the board has not passed diagnostics. Follow this procedure to determine the cause of the problem:

1. Make sure that power to the rack is on, the PLC is okay, and that the CMM is seated properly.
2. Check the PLC fault table using the programming software. If there is a *bad or missing module* fault, the board may be defective; otherwise, contact the GE Intelligent Platforms Technical Support Hotline for assistance. The GE Intelligent Platforms Technical Support Hotline can be reached at 1-800-433-2682, or International direct dial 1-780-420-2010. (if toll free 800 option is unavailable)
3. Change the CMM config to *SNP* (RS-232 is needed), and run the programming software through the CMM using either the IC690CBL702 (9-pin AT) or IC690CBL705 (25-pin PS-2) cable.

Configuring the CMM

Configuring the CMM through the programming software is a two-part procedure:

- I/O Rack Configuration
- Module Configuration (Soft Switch Data)

I/O Rack Configuration

The Series 90 I/O Rack Configuration software is used to define the type and location of all modules present in the PLC racks. This is done by completing setup screens which represent the modules in a rack. Specific configuration settings for individual modules can then be selected. The configuration data is saved in a configuration file which is then stored to the Series 90 PLC.

Series 90-70 PLCs

A rack in the Series 90-70 PLC can be used as a main CPU rack or as an expansion rack. Racks are available that have either 5 or 9 slots for modules, plus provision for a power supply or power supply connection in the leftmost slot. The rack shown in the previous illustration has 9 slots for modules.

The rack in which the CPU resides requires a power supply in slot PS and a CPU module in slot 1. Slot 1 in the CPU rack is reserved for the CPU module; in an expansion rack, slot 1 is reserved for the Bus Receiver Module (BRM). A Bus Transmitter Module must be installed in slot 2 of rack 0 if it is a version B (or later) module; version A of the BTM must be located to the right of all other GE boards. The BTM is required for parallel communications with the programmer, or if multiple racks are to be in a system.

The remaining slots can contain combinations of I/O or intelligent modules to suit the application program. The CMM can be installed in any slot, except for slot 1, in any rack in the system. There can be no empty slots to the left of option modules or I/O modules using interrupts (unless a Blank Slot Interrupt Jumper is installed in the empty slot) in a Series 90-70 PLC system. If more I/O is required in the system than can be contained in a single rack, additional racks can be added to the system, up to a maximum of eight racks (including the CPU rack).

Series 90-30 PLCs

For Series 90-30 PLCs, the CMM must reside in the CPU rack (baseplate). There is a slot for the power supply and slot 1 is reserved for the CPU module; the CMM can reside in any other slot. There are no Bus Expansion Modules as there are for the Series 90-70 PLCs.

CMM Configuration Modes

The CMM configuration mode selects the communication protocol for each serial port on the module. There are nine possible configuration modes for the CMM module:

- CCM ONLY - CCM protocol on both ports
- CCM/RTU - CCM protocol on port 1, RTU protocol on port 2
- RTU/CCM - RTU protocol on port 1, CCM protocol on port 2

- RTU ONLY - RTU protocol on both ports
- SNP ONLY - SNP and SNP-X protocols on both ports
- SNP/CCM - SNP and SNP-X protocols on port 1, CCM protocol on port 2
- CCM/SNP - CCM protocol on port 1, SNP and SNP-X protocols on port 2
- SNP/RTU - SNP and SNP-X protocols on port 1, RTU protocol on port 2
- RTU/SNP - RTU protocol on port 1, SNP and SNP-X protocols on port 2

A different Soft Switch Data Screen is displayed for each configuration mode.

The factory default is CCM protocol on both ports. Make sure that the proper protocol is selected. If you are using SNP multidrop, make sure that the proper SNP ID has been stored to the PLC CPU. Note: If you change the CMM's SNP ID via the programming software, it is necessary to reset the CMM in order for the new SNP ID to take effect. Resetting the CMM can be done by either pressing the CMM's "Restart" pushbutton, or by power-cycling the PLC rack that contains the CMM.

Description of Communications Parameters

The tables below describe the communications parameters available for each serial protocol on the CMM module:

Table 2-1. CCM Communications Parameters

Field	Range	Default
CCM Enable	YES, NO	YES
CCM Mode	SLAVE, MASTER, PEER	SLAVE
Interface ¹	RS232, RS485	RS232
Data Rate	300, 600, 1200, 2400, 4800, 9600, 19200	19200
Flow Control	NONE, HARDWARE	NONE
Parity	ODD, NONE	ODD
Retry Count	NORMAL, SHORT	NORMAL
Timeout	LONG, MEDIUM, SHORT, NONE	LONG
Modem Turnaround Delay	NONE, 10 ms, 100 ms, 500 ms	NONE
CCM CPU ID	1-254	1

Table 2-2. RTU Communications Parameters

Field	Range	Default
RTU Enable	YES, NO	YES
Interface ¹	RS232, RS485	RS232
Data Rate	300, 600, 1200, 2400, 4800, 9600, 19200	19200
Flow Control	NONE, HARDWARE	NONE
Parity	ODD, EVEN, NONE	ODD
Station Address	1 - 247	1

Table 2-3. SNP Communications Parameters

Field	Range	Default
SNP Enable	YES, NO	YES
SNP Mode	SLAVE, MASTER	SLAVE
Interface ¹	RS485, RS232	RS485
Data Rate	300, 600, 1200, 2400, 4800, 9600, 19200	19200
Flow Control	NONE, HARDWARE	NONE
Parity	ODD, EVEN, NONE	ODD
Stop Bits	1, 2	1
Timeout	LONG, MEDIUM, SHORT, NONE	LONG
Modem Turnaround Delay	NONE, 10 ms, 100 ms, 500 ms	NONE

¹ For the CMM311 module, port 1 is RS-232 only.

Notes on Communication Parameters

Interface. (CCM, RTU, and SNP) The *Interface* field specifies the type of electrical interface used at this serial port. Valid selections are RS-485 or RS-232. Note that for the CMM311 module, port 1 operates as RS-232 only.

Flow Control. (CCM, RTU, and SNP) The *Flow Control* field specifies the method of flow control to use at this serial port. Valid selections are NONE or HARDWARE. The timing diagrams below illustrate the state of the flow control lines for flow control = NONE and HARDWARE. **Note: The CMM modules do not support hardware flow control when used with an RS-485 interface.**

The NONE selection makes use of the signals Transmit Data (TD) and Receive Data (RD) only. The signal Request to Send (RTS), however, is used as a modem keying signal. The RTS signal is energized for the Modem Turnaround Delay interval and during the character transmission; the RTS signal is then immediately de-energized.

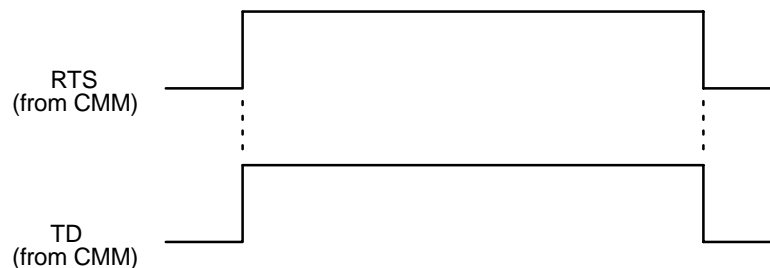


Figure 2-7. Flow Control = NONE, MODEM TURNAROUND DELAY=0

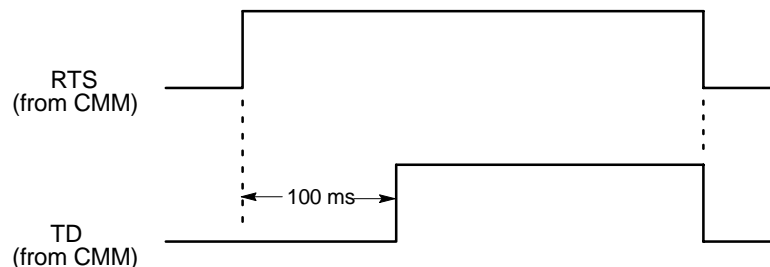


Figure 2-8. Flow Control = NONE, MODEM TURNAROUND DELAY=100 ms

The HARDWARE selection makes use of the Transmit Data (TD), Receive Data (RD), Request to Send (RTS, Clear to Send (CTS), Data Carrier Detect (DCD), and Data Terminal Ready (DTR). The signals are used in the manner specified by the RS-232 and RS-422/RS-485 electrical standards; these signals are described below:

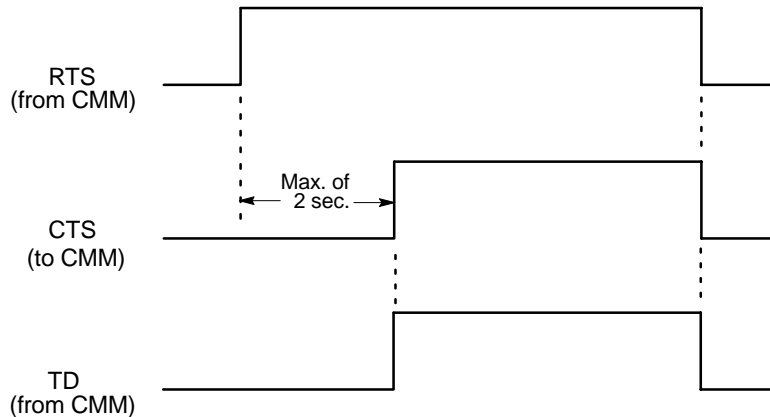


Figure 2-9. Flow Control = HARDWARE

Request to Send (RTS) and Clear to Send (CTS). These signals are used to control the transmission of data to the remote device. The RTS signal is asserted at the beginning of each transmission by the CMM. The actual characters are not transmitted, however, until the CTS signal is returned. Once the characters are transmitted, the RTS signal is immediately removed. As in the case of NONE flow control, a nonzero Modem Turnaround Delay is NOT used to control the operation of the RTS signal. It is simply used to adjust the appropriate protocol timers for any delay in receiving the CTS signal once the RTS signal is asserted.

Data Carrier Detect (DCD) and Data Terminal Ready (DTR). These signals are used to control the reception of data from the remote device. The DCD signal, when received from the remote device, essentially forms a request to the CMM to prepare for reception of data. The CMM, in turn, asserts the DTR signal when it is prepared to receive the data. In the CMM, DTR is always asserted; it is never turned off.

Timeout. (CCM) The *Timeout* field displays the length of timeouts used for CCM on the target port. Valid selections are LONG, MEDIUM, SHORT, or NONE.

Timeout. (SNP) The *Timeout* field specifies a set of values for each of the SNP timers. Valid selections include LONG, MEDIUM, SHORT, or NONE. The SNP Timeout selections and the related timer values are specified in the following table. The timers in the second half of the table are derived from earlier timer values via the specified equation.

Modem Turnaround Delay. (CCM and SNP Only) The *Modem Turnaround Delay* field specifies the length of time required by the intervening modems to turn the link around. In the case that NONE flow control is selected, the Modem Turnaround Delay also specifies the length of time that the Request to Send (RTS) signal is asserted before any characters are transmitted. Valid selections are NONE, 10 ms, 100 ms, or 500 ms.

Note

Timeout values used by Logicmaster 90 software and the Series 90-70 and 90-30 CPUs are also listed for comparison.

Table 2-4. SNP Timer Values for Timeout Selections

SNP Timer	None	Short	Medium	Long	LM90	90-30	90-70
T1	5 ms	5 ms	5 ms	5 ms	10 ms	5 ms	5 ms
T2	2 sec	500 ms	1 sec	2 sec	3 sec	1 sec	500 ms
T3'	Disabled	5 sec	10 sec	10 sec	10 sec	10 sec	10 sec
T4	50 ms	50 ms	50 ms	50 ms	100 ms	N/A	N/A
T5	Disabled	2 sec	5 sec	Disabled	10 sec	10 sec	10 sec
Transmission Delay ¹	0 sec	0 sec	0 sec	0 sec	0 sec	0 sec	0 sec
COMMREQ timeout ²	30 sec	30 sec	30 sec	30 sec	N/A	N/A	N/A
T3	T3' - 80 character times						
T3''	T3 + 65 seconds						
T5'	T5 + 80 character times						
T5''	T5 + Transmission Delay + twice next message transmission time.						

- ¹ The *Transmission Delay* specifies the length of time required for the data to transfer from the initiating device to the responding device. This duration is also referred to as the *wire time*. Examples where this value may be changed to a non-zero value include instances where satellite links are used to transfer data.
- ² The *COMMREQ Timeout* specifies the maximum length of time that a COMMREQ can remain in process. If the COMMREQ command cannot be completed before this time interval, the COMMREQ processing is terminated, and an error code is returned in the COMMREQ Status Word indicating that a COMMREQ timeout has occurred.

See the “SNP Timers” section of Chapter 7, *Protocol Definition*, for a complete description of the SNP timers.

Chapter 3

Series 90 CPU Serial Ports

Overview

This chapter describes the serial communications ports on the Series 90–30 and Series 90–70 CPU models. This chapter is divided into the following main topics:

- Series 90–30 CPU Serial Ports
- Series 90–70 Serial Ports
- General Series 90 CPU Serial Communication Information
- Configuring Serial Ports 1 and 2 with a COMMREQ

Series 90–30 CPU Serial Ports

- All Series 90–30 CPUs have a built-in serial port that is accessed through a connector on the PLC power supply.
- CPUs 351, 352, and 363 each have two additional serial ports that are accessed by connectors on their faceplates. See Figure 2–1 below.

Serial Communications Features of CPUs 351, 352, and 363

This manual only discusses the serial communications features of these CPUs. A detailed description of their other hardware features can be found in the “CPUs” chapter of the *Series 90-30 Programmable Controller Installation and Hardware Manual*, GFK-0356P (or later versions).

These three CPUs (IC693CPU351/352/363) have three serial ports. The standard SNP port is accessed through the power supply connector. Ports 1 and 2 are accessed by connectors on the front of the module (shown in the figure below). For many applications, each port serves as an independent window into the PLC for communicating with other devices, such as industrial computers, pagers, and operator interface terminals.

These serial ports are configurable using GE Intelligent Platforms LogiMaster, Control, or VersaPro PLC software. Ports 1 and 2 can also be configured using a Communications Request (COMM-REQ) Instruction in a ladder logic program.

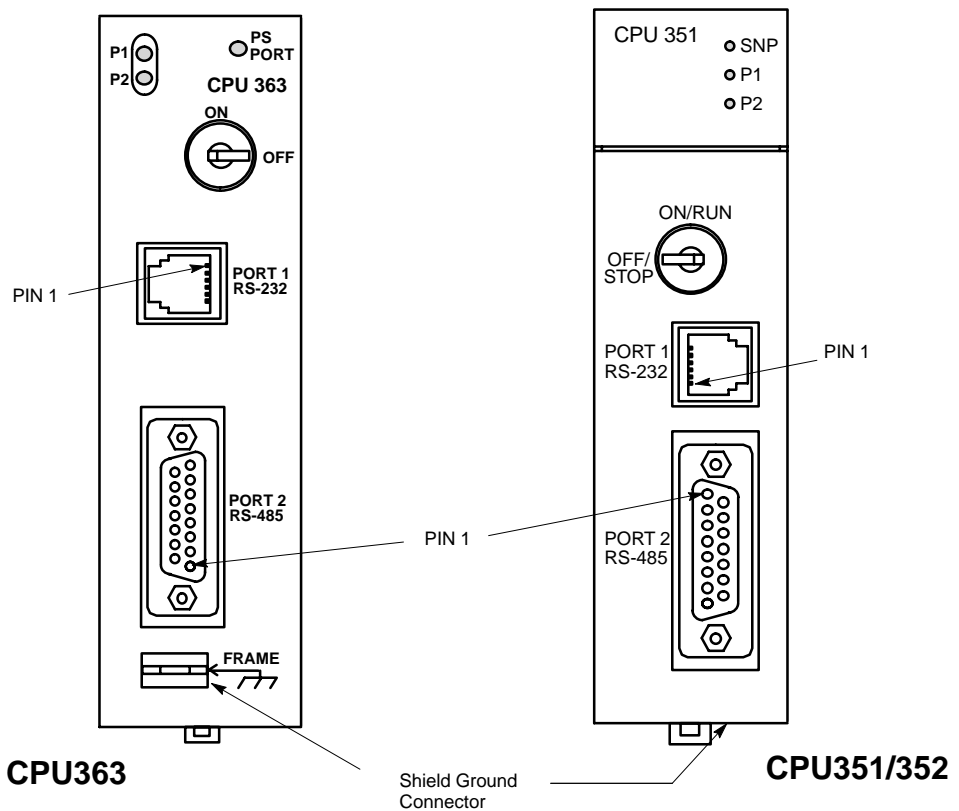


Figure 3-1. CPU Features (CPUs 351 and 352 look identical except for labeling)

Serial Ports Details

These ports can be used for serial interfaces to Operator Interface terminals (OIs), Human to Machine Interface terminals (HMIs), pagers, programmers, modems, and other serial communications devices. Also, CPU352 and CPU363 support the Serial I/O Read function that enables them to read input from devices such as bar code readers. This function is not supported on the CPU351.

- **Port 1**, the top port on these CPUs, is a non-isolated RS-232 compatible port. Port 1 is accessed through a 6-pin RJ-11 connector on the front of the module. This connector has female contacts and is similar to modular jacks commonly used for telephones and modems. GE Intelligent Platforms serial cable, part number IC693CBL316, is a convenient way to connect to this port. Chapter 8 of this manual contains a data sheet on this cable.
- **Port 2**, the bottom port, is an isolated, RS-485 compatible port. It is accessed through a female, 15-pin, D-shell connector on the front of the module.
- **Standard SNP Port**, accessed through the female, 15-pin, D-shell connector on the PLC power supply, is a non-isolated RS-485 compatible port.

LED Indicators

The CPUs 351, 352, and 363 have three LED indicators which enable you to determine the status of the serial port activity on the CPU 351/352 without having a terminal connected.

- The **SNP** or **PS** LED (top LED) is ON when data is being transferred through the Standard SNP serial port, whose connector (RS-422/485) is located on the PLC power supply.
- The **P1** LED (middle LED), will be ON when data is being transferred through Port 1, the RS-232 port.
- The **P2** LED (bottom LED), will be ON when data is being transferred through Port 2, the RS-422/485 port.

Serial Communications Features and Protocol Support

Serial Ports 1 and 2 on CPUs 351, 352, and 363 and the standard SNP serial port (accessed through connector on PLC power supply) have different features and are discussed separately. Ports 1 and 2 are accessed by connectors on the front of the CPU. Port 3 is accessed through a connector on the PLC power supply. Features available on Ports 1 and 2 were added over a period of time in various firmware releases. Firmware releases pertaining to communications features are documented in the following tables. A complete firmware release history is available on the technical support section of the GE Intelligent Platforms web site:

<http://www.ge-ip.com/support>

Table 3-1. Features of CPU351 Serial Ports 1 and 2

Feature	Firmware Release 6.52	Firmware Release 8.00	Firmware Release 9.00	Firmware Release 10.00
SNP Master/Slave	Yes*	Yes	Yes	Not Available**
SNP-X Master/Slave	Yes*	Yes	Yes	Not Available**
RTU Slave	No	Yes*	Yes	Not Available**
Break-Free SNP	No	No	Yes*	Not Available**
Serial I/O Write	No	Yes*	Yes*	Not Available**
Serial I/O Read	No	No	No	Not Available**

* Indicates CPU firmware release in which the feature was first available. When CPU351 was initially released, it was equipped with firmware release 6.00.

** The latest firmware available for CPU351 is release 9.11. It is not planned to upgrade the CPU351 beyond that release.

Table 3-2. Features of CPU352 Serial Ports 1 and 2

Feature	Firmware Release 7.00	Firmware Release 8.00	Firmware Release 9.00	Firmware Release 10.00
SNP Master/Slave	Yes*	Yes	Yes	Yes
SNP-X Master/Slave	Yes*	Yes	Yes	Yes
RTU Slave	No	Yes*	Yes	Yes
Break-Free SNP	No	No	Yes*	Yes
Serial I/O Write	No	Yes*	Yes	Yes
Serial I/O Read	No	No	No	Yes*

* Indicates CPU firmware release in which the feature was first available. When CPU352 was initially released, it was equipped with firmware release 7.00.

Table 3-3. Features of CPU363 Serial Ports 1 and 2

Feature	Firmware Release 9.00**	Firmware Release 10.00
SNP Master/Slave	Yes	Yes
SNP-X Master/Slave	Yes	Yes
RTU Slave	Yes	Yes
Break-Free SNP	Yes*	Yes
Serial I/O Write	Yes	Yes
Serial I/O Read	No	Yes*

* Indicates CPU firmware release in which the feature was first available.

** When CPU363 was initially released, it was equipped with firmware release 9.00.

Standard SNP Port (Accessed Through Power Supply Connector)

All Series 90–30 CPUs have a standard SNP serial port that is accessed through a connector on the PLC power supply. This serial port only supports the SNP Slave and SNP–X Slave protocols. Break–Free SNP became the default protocol on this port, starting with firmware release 8.20 for CPUs 311 – 341 and 9.00 for CPUs 350 – 364. For CPUs equipped with firmware earlier than those two releases, the default protocol is standard (Break–Enabled) SNP. Break–Free SNP protocol is discussed in a later section of this chapter.

The most common use for this port is communicating with a personal computer running the PLC programming software; however, it is capable of other uses, such as communicating with an operator interface device. In either case, the personal computer or operator interface device would act as the master and the PLC as the slave because this port only supports the slave versions of the SNP and SNP–X protocols.

Series 90–70 CPU Serial Ports

- All Series 90–70 CPUs have at least one built-in serial port, the standard SNP port. It is called Serial Port 3 on CPUs that have three serial ports.
- CPUs CPX772, CPX782, CPX928, and CPX935 each have two additional serial ports, Ports 1 and 2, that were first activated in firmware release 7.80. CPUs CGR772 and CGR775 each have two additional serial ports, Ports 1 and 2, that were first activated in firmware release 7.85. The following figure shows the location of these ports.

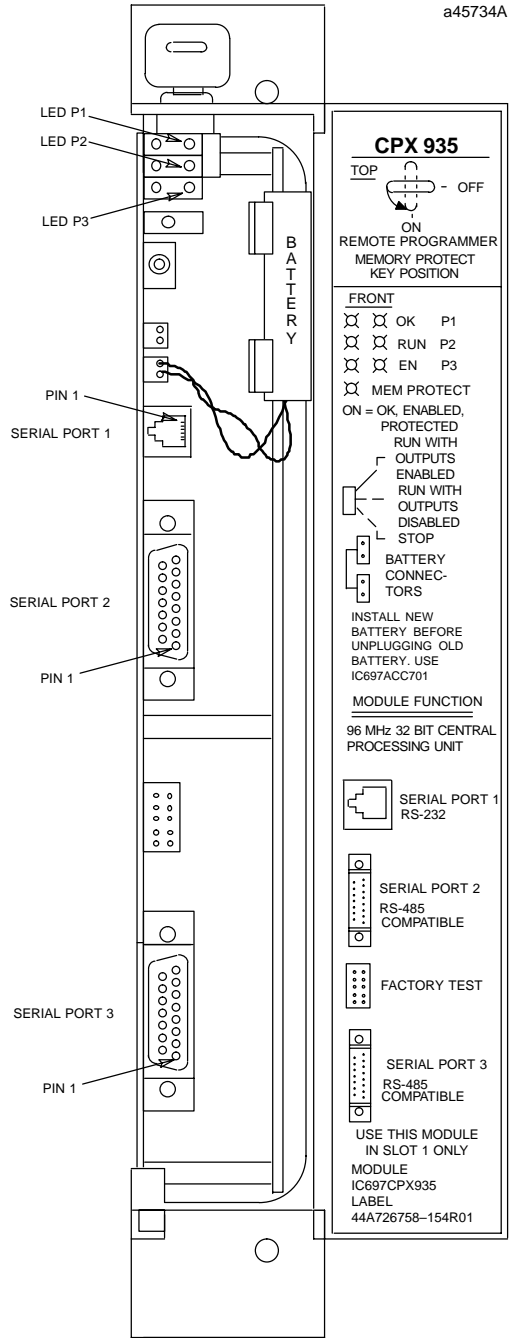


Figure 3-2. Example of a Series 90–70 CPU with Three Serial Ports

Series 90–70 CPU Serial Ports Details

- **Port 1**, the top port on these CPUs, is RS-232 compatible. It has a 6-pin, female RJ-11 connector. This connector looks similar to the smaller modular jacks commonly used for telephones and modems. GE’s serial cable, part number IC693CBL316, is a convenient way to connect to this port. Chapter 8 of this manual contains a data sheet for cable IC693CBL316.
- **Port 2**, the middle port, is RS-485 compatible, and is isolated through an optocoupler. It has a 15-pin, female D-shell connector.
- **Port 3 (Standard SNP Port)**, the bottom port, is also RS-485 compatible, but is not isolated. It has a 15-pin, female D-shell connector.

Series 90–70 CPU LED Indicators

These CPUs have three serial port LED indicators, labeled P1, P2, and P3, which enable you to determine the status of serial port activity on the CPUs without having a terminal connected. For location of these LEDs, please see the previous figure.

- The **P1** LED (top LED) is ON when data is being transferred through Port 1.
- The **P2** LED (middle LED) is ON when data is being transferred through Port 2.
- The **P3** LED (bottom LED), is ON when data is being transferred through Port 3.

Features Supported on Series 90–70 CPU Serial Ports

Table 3-4. Serial Port Features for CPX CPUs

Serial Port Features Supported on CPUs CPX772, CPX782, CPX928, and CPX935		
Feature	Ports 1 and 2	Port 3
SNP (slave) protocol	Yes, starting with Firmware Release 7.80	Yes
SNP (master) protocol	No	No
Break-Free SNP protocol	Yes, starting with Firmware Release 8.00	No
SNP-X protocol (slave or master)	No	No
RTU protocol	No	No
CCM protocol	No	No
Serial I/O	No	No
Program Load/Store	Yes, starting with Firmware Release 8.00	Yes
Datagrams	Yes, starting with Firmware Release 8.00	Yes
MSG Mode for C programmer “printf” support	No	Yes
C-Debugger support	No	Yes
RS-232	Port 1 only	No
RS-422/485	Port 2 only	Yes
Configurable with COMMREQ	Yes	No
Electrical Isolation	Port 2 only	No

Table 3-5. Serial Port Features for CGR CPUs

Serial Port Features Supported on CPUs CGR772 and CGR935		
Feature	Ports 1 and 2	Port 3
SNP (slave) protocol	Yes, starting with Firmware Release 7.85	Yes
SNP (master) protocol	No	No
Break-Free SNP protocol	No	No
SNP-X protocol (slave or master)	No	No
RTU protocol	No	No
CCM protocol	No	No
Serial I/O	No	No
Program Load/Store	No	Yes
Datagrams	No	Yes
MSG Mode for C programmer “printf” support	No	Yes
C-Debugger support	No	Yes
RS-232	Port 1 only	No
RS-422/485	Port 2 only	Yes
Configurable with COMMREQ	Yes	No
Electrical Isolation	Port 2 only	No

General Series 90 CPU Serial Communication Information

Pin Assignments for CPU Serial Ports 1 and 2

The pin assignments in the next two tables only apply to the following CPUs:

- **Series 90–30:** CPU351, CPU352, and CPU363
- **Series 90–70:** CPX772, CPX782, CPX928, CPX935, CGR772, and CGR935

Table 3-6. Port 1 (Non-Isolated) RS-232 Signals

Pin Number	Signal Name	Description
1 *	CTS	Clear To Send
2	TXD	Transmit Data
3	0V	Signal Ground
4	0V	Signal Ground
5	RXD	Receive Data
6	RTS	Request to Send

* See the previous figures for location of pin 1.

Table 3-7. Port 2 (Isolated) RS-485 Signals

Pin Number	Signal Name	Description
1*	Shield	Cable Shield
2	NC	No Connection
3	NC	No Connection
4	NC	No Connection
5	+5VDC	Logic Power **
6	RTS(A)	Differential Request to Send
7	SG	Signal Ground
8	CTS(B')	Differential Clear To Send
9	RT	Resistor Termination
10	RD(A')	Differential Receive Data
11	RD(B')	Differential Receive Data
12	SD(A)	Differential Send Data
13	SD(B)	Differential Send Data
14	RTS(B')	Differential Request To Send
15	CTS(A')	Differential Clear To Send

* See the previous figures for location of pin 1.

** Note that Pin 5 provides Isolated +5 VDC power (100 mA maximum) for powering external options.

Series 90 PLC Standard, (Non-Isolated) SNP Serial Port

The standard Series 90 PLC serial port has a 15-pin D-type female connector and is RS-422/485 compatible. An RS-232 to RS-422 converter is required to interface to systems that provide RS-232 compatible interfaces. It is found on all Series 90 PLCs:

- **Series 90-70 PLC** – Found on all Series 90-70 CPUs. This is the only port on most CPUs. On CPUs with three ports, this port is called Serial Port 3.
- **Series 90-30 PLC** – Found on all Series 90-30 CPUs. Accessed through connector on PLC power supply on all CPUs (see next figure).

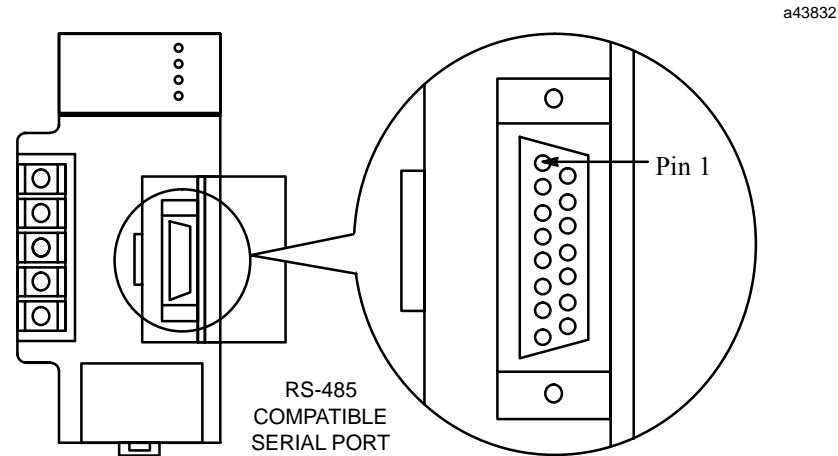


Figure 3-3. Series 90-30 CPU Serial Port Connector on Power Supply

- This serial port is RS-485 compatible, and uses the GE SNP (Series Ninety Protocol) protocol (slave only). The IC690ACC901 Miniconverter is usually used to connect this port to a personal computer's RS-232 serial port. Break-Free SNP became the default protocol on all serial ports on the Series 90-30 CPUs, starting with Firmware Release 9.00 for CPUs 350 - 364, and Firmware Release 8.20 for CPUs 311 - 341. BreakFree SNP is discussed in a later section of this chapter.
- The serial port connector is only functional in a power supply that is installed in a baseplate that also contains the CPU. It is not functional on a power supply that is installed in an expansion or remote baseplate.
- Any device connected to the serial port that uses +5 VDC power from the Series 90-30 power supply **must be included** in the calculation for maximum power consumption (see the heading "Power Supply Loading Calculations" in Chapter 12 of GFK-0356 for details).

Caution

Care must be taken that common mode voltage specifications are met for connections to this non-isolated serial port. Common mode conditions that exceed those specified will result in errors in transmission and/or damage to Series 90 PLC components. Common mode specifications are discussed in Appendix C. When the common mode voltage specification is exceeded, a port isolator such as the GE Intelligent Platforms IC690ACC903 must be used. See Appendix G for details on this port isolator.

Series 90 PLC Standard SNP Serial Port Connector Pin-Out

The figure below shows the serial port orientation and connector layout for the Series 90 CPUs, and the following table shows the pin numbering and signal assignment for these connectors.

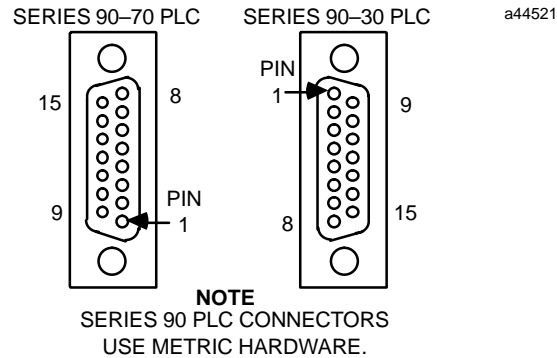


Figure 3-4. Series 90 PLC, RS-422 Serial Port Connector Configuration

Table 3-8. Pin-out for Standard SNP Serial Port Connectors

Pin Number	Signal Name	Description
1	Shield	
2		No Connection
3		No Connection
4	ATCH *	Hand-Held Programmer attach signal
5	+5V *	+5V Power for: HHP and RS-232/485 Converter
6	RTS (A)	Request To Send
7	Signal Ground	Signal Ground, OV
8	CTS (B')	Clear To Send
9	RT *	Terminating Resistor for RD **
10	RD (A')	Receive Data
11	RD (B')	Receive Data
12	SD (A)	Send Data
13	SD (B)	Send Data
14	RTS (B)	Request To Send
15	CTS (A')	Clear To Send

* Signals available at the Connector but are not included in the RS-422 specification. SD (Send Data) and RD (Receive Data) are the same as TXD and RXD (used in the Series Six PLC). (A) and (B) are the same as - and +. A and B denote outputs, and A' and B' denote inputs.

** Termination resistance for the Receive Data (RD) signal needs to be connected only on units at the end of the lines. This termination is made on the Series 90 PLC products by connecting a jumper between pins 9 and 10 inside the 15-pin D-shell with the following exception. For Series 90-70 PLCs with Catalog Numbers IC697CPU731J, and IC697CPU771G and earlier the termination for RD at the PLC is implemented by a jumper between pins 9 and 11.

Break-Free SNP Protocol

Break-Free SNP has become the default protocol on some of the Series 90 CPUs. The table below identifies which products support this feature. The purpose of this feature is to improve serial communications when modems are used. Break-Free SNP simplifies modem communications with Series 90 PLCs by eliminating the requirement for a serial break at the start of each SNP and SNP-X session. Consequently, modem pairs that alter the timing or characteristics of breaks from SNP/SNP-X masters may be used successfully.

Break-Free operation is completely transparent to the user. When normal breaks are received, SNP/SNP-X communications operate identical to standard SNP communications. When Attach and X-Attach messages are received, these are also recognized without a preceding break. Modified breaks (for example, breaks transformed to a single ASCII NUL character, with or without a framing error) are ignored.

The Break-Free feature requires data rates of 1200 baud and higher. Breaks are required at 300 and 600 baud rates. The PLC's auto-baud feature also requires breaks. Auto-baud permits Series 90-30 CPUs with no stored configuration to communicate at either 9600 or 19,200 baud, odd parity, and one stop bit. Note that auto-baud is incompatible with modem communications because a stored configuration is required to set the serial port for NO PARITY.

Break-Free SNP is compatible with existing SNP master units such as computers running PLC programming software, or PCM modules. In a few applications, primarily where a combination of multi-drop SNP communications and very short PLC sweep times are used, users may desire, for performance reasons, to disable Break-Free SNP. Break-Free SNP can be disabled and re-enabled via Communications Request (COMMREQ) instructions 7004 and 7005, which are detailed in Chapter 6 of this manual.

This feature can be added to older versions of the applicable CPUs through a firmware upgrade – contact your GE Intelligent Platforms distributor for information.

Table 3-9. Series 90 Products Supporting Break-Free SNP Feature

Product	Break-Free SNP
Series 90-30 CPU350 – 364	Supported on all serial communications ports starting with firmware release 9.00
Series 90-30 CPU311, 313, 323, 331, 341	Supported starting with firmware release 8.20
Series 90-70 CPX772, 782, 928, 935	Supported only on Ports 1 and 2 starting with firmware release 8.00
Series 90-30 CPU340 Series 90-70 CPU731 – 927 Series 90-70 CGR772, 935	Not supported

Serial I/O Protocol

The Serial I/O protocol allows users to write a custom protocol for communicating with various serial devices such as bar code readers or pagers (not all CPUs support both Serial I/O modes – see table below). Serial I/O has two modes: Read and Write. Support for Serial I/O is detailed in the table below. Chapter 9 of this manual explains how to use this protocol. Serial I/O can be added to older versions of CPU351, 352, and 363 through a firmware upgrade – contact your GE Intelligent Platforms distributor for information.

Table 3-10. Products Supporting the Serial I/O Feature

Product	Serial I/O Write	Serial I/O Read**
CPU351, Ports 1 and 2	Supported starting with firmware release 8.00	Not available*
CPU352, CPU363, Ports 1 and 2	Supported starting with firmware release 8.00	Supported, starting with firmware release 10.00**
CPU351, CPU352, CPU363, Standard SNP port (via power supply connector)	Not supported	Not supported
Series 90–30 CPUs: 311–341 Series 90–70 CPUs: All	Not supported	Not supported

* Firmware 10.00, required for Serial I/O Read, will not be made available for CPU351.

** The Serial I/O Read feature requires the use of VersaPro 1.1 (or later version) PLC programming software. It is currently not supported by other programming software.

Serial Communications Problems and Restrictions

Known problems, restrictions, and work-around solutions are documented in the Important Product Information (IPI) sheet that comes with a new CPU module. The IPI also documents the latest information on new features and problem corrections that may be too recent to be in this manual. It also contains information on upgrading older versions of the product. We recommend you read these IPIs, then retain them as part of your PLC documentation. IPIs can also be found on the GE Intelligent Platforms InfoLink PLC documentation CD and on the GE Intelligent Platforms web site support area (<http://www.ge-ip.com/support>).

Version Support of Product Features

As noted in many of the tables in this chapter, not all versions of a product and not all versions of the PLC programming software support the various features. If you are using older versions of the products or software but need or desire to use a later feature not supported, you should contact your GE Intelligent Platforms distributor for information on upgrading to a new version. The Important Product Information (IPI) sheet that comes with the product usually contains upgrade information as well (see the previous paragraph). Some firmware upgrades may be downloaded for free from the GE Intelligent Platforms web site support area (<http://www.ge-ip.com/support>) Or, an upgrade kit can be ordered for a nominal cost.

Where to Find Additional Information

The GE Intelligent Platforms web site support area (<http://www.ge-ip.com/support>) has additional information on many PLC subjects including serial communications. This site offers such thing as an-

swers to Frequently Asked Questions (FAQs), product revision histories, online versions of recently revised publications, an online version of InfoLink, and downloadable files and upgrades.

CPU Diagnostic Error Codes

If any power-up diagnostic tests fail, one or more diagnostic error codes will be generated. On both the Series 90–30 and Series 90–70 CPUs, error codes will be displayed on serial port LEDs P1 and P2. P1 will repeatedly flash the number of times that corresponds to the most significant digit of the error code, and P2 will repeatedly flash the number of times that corresponds to the least significant digit of the error code. For example, if P1 flashes two times, then pauses, then flashes two times, etc., it indicates that the most significant digit of the error code is two. If P2 flashes three times, then pauses, then flashes three times, etc., it indicates the least significant digit of the error code is three. Therefore, the error code 23 would be indicated.

Table 3-11. Error Code Table

Error Code	Error Description
11	Bad Processor Flags
12	Bad Processor Register
13 or 14	Bad Stack Area
15	DMA Channel 0 not working
16	DMA Channel 1 not working
17	DMA Channel 2 not working
18	DMA Channel 3 not working
19	Address Lines not working
21	H8 Timers not working
22	Bad Interrupt Vector Table
23	Bad Diagnostic RAM Area
24	Bad H8 Cache RAM
25	Unexpected Interrupt
26	Bad System RAM
27	Bad CRC Checksum
28	Bad Dualport RAM
29	Serial Port 1 Loopback failed
31	Watchdog Timer Expired
99	Unspecified Diagnostic Error

Configuring Serial Ports 1 and 2 with a COMMREQ

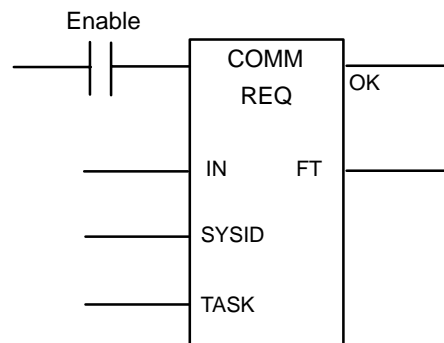
Only Ports 1 and 2 on the CPU351, CPU352, CPU363, CPX772, CPX782, CPX928, CPX935, CGR772, and CGR935 CPUs may be configured with a COMMREQ. When these CPUs are powered-up, their serial ports are given a default configuration. These default settings remain in effect unless you change them using your programming software configurator function. You can also temporarily change the active settings on one of these ports by initiating a *Serial Port Setup* COMMREQ, although this will not permanently change the configuration values set by default or set with configuration software.

Caution

Both serial ports will be returned to their configuration values (set by default or with configuration software) when power is cycled to the PLC. If power is cycled and you have previously initiated a COMMREQ to change any serial port settings, you will need to again initiate the COMMREQ upon power-up if you wish to reinstate the settings commanded by the COMMREQ.

Using the Serial Port Setup COMMREQ

The PLC COMMREQ ladder instruction is a general purpose instruction used for many different communication functions and with a wide variety of devices. (General information on this instruction is found in GFK-0467, the *Series 90-30/20/Micro PLC CPU Instruction Set Reference Manual*, and GFK-0265, the *Series 90-70 PLC Reference Manual*.) In order to specify what function the instruction will be performing and with what device, applicable codes are specified for the COMMREQ's SYSID and TASK ID inputs. For configuring CPU serial ports, the SYSID must be **0001** (which represents the CPU location: Rack 00, Slot 01) and the TASK ID either **19** decimal (Port 1) or **20** decimal (Port 2). Length of the data block is 12 words (24 bytes). The format for the data block of the Serial Port Setup COMMREQ is shown in the next table.



- IN:** Address of Data Block First Word
- SYSID:** Rack and Slot Number of CPU
(Always 0001 hex)
- TASK:** 19 (13hex) = Serial Port 1
20 (14hex) = Serial Port 2
- FT:** Fault output. Goes High for COMMREQ Fault.
- OK:** (Only available on the Series 90-70.) Goes high if the COMMREQ passes power flow.

Figure 3-5. The COMMREQ Ladder Instruction

COMMREQ Data Block

Table 3-12. Serial Port Setup COMMREQ Data Block

Word	Parameter*	Word	Parameter*
Start address +0	Command = FFF0 (hex)	Start address +8	Bits per Character
Start Address +1	Protocol	Start Address +9	Stop Bits
Start Address +2	Port Mode	Start Address +10	Interface
Start Address +3	Data Rate	Start Address +11	Duplex Mode
Start Address +4	Parity	Start Address +12	Device Identifier <i>bytes 1 and 2</i>
Start Address +5	Flow Control	Start Address +13	Device Identifier <i>bytes 3 and 4</i>
Start Address +6	Turnaround Delay	Start Address +14	Device Identifier <i>bytes 5 and 6</i>
Start Address +7	Timeout	Start Address +15	Device Identifier <i>bytes 7 and 8</i>

*The values for these parameters can be selected from the choices in the following table.

Note: The SNP ID can also be changed by sending an SNP COMMREQ with the *Change SNP ID* command (7002).

COMMREQ Timing Consideration

The Serial Port Setup COMMREQ can be sent any time that the system is running, thereby allowing you to configure a single port without interrupting the other port's current activity. After sending a valid Serial Port Setup COMMREQ, you should wait a minimum of two seconds before issuing another COMMREQ to the port that has just been configured.

COMMREQ Parameter Description

Note

The validity of values for various parameters in the table below depends on the type of protocol configured and the availability of options supported by the firmware version of the CPU.

For example, the Series 90–70 CPUs do not support SNP Master , so the combination of Protocol parameter = 1 (SNP) and Port Mode = 1 (Master) is not a valid choice.

The user should consult the tables earlier in this chapter to determine the features supported by the CPU to be targeted by the COMMREQ.

Table 3-13. Description of COMMREQ Parameters

Parameter	Values	Default
Protocol	0 = DISABLED 1 = SNP 2 = Reserved 3 = RTU 4 = Reserved 5 = Serial I/O	SNP
Port Mode	0 = SLAVE 1 = MASTER 2 = PEER	SLAVE
Data Rate	0 = 300 1 = 600 2 = 1200 3 = 2400 4 = 4800 5 = 9600 6 = 19200	19200
Parity	0 = NONE 1 = ODD 2 = EVEN	ODD
Flow Control	0 = HARDWARE 1 = NONE 2 = SOFTWARE	NONE
Turnaround Delay	0 = NONE 1 = 10 ms 2 = 100ms 3 = 500ms	NONE
Timeout	0 = LONG 1 = MEDIUM 2 = SHORT 3 = NONE	LONG
Bits per Character	0 = 7 bits 1 = 8 bits	8 bits
Stop Bits	0 = 1 stop bit 1 = 2 stop bits	1 stop bit
Interface	0 = RS232 (default for Port 1) 1 = RS485 (default for Port 2)	RS232 (P1) RS485 (P2)
Duplex Mode	0 = 2-wire 1 = 4-wire 2 = point-to-point	4-wire
Device Identifier (8 bytes in length)	This is an identifier that distinguishes this device from others on the same network (for example: SNP ID, STA ADDR). <i>Note that for devices that use an SNP ID of 1, enter 49 decimal (31 hexadecimal).</i>	NULL

Chapter 4

Initiating Communications - The COMMREQ

This chapter describes how to initiate communications in ladder programs created with Logic-master software. The chapter is divided into 3 sections:

- Section 1: The Communications Request
- Section 2: The COMMREQ Ladder Instruction
- Section 3: The COMMREQ Command Block

Section 1 describes the structure and operation of the Communications Request. Section 2 describes the format and content of the COMMREQ Ladder Instruction. Section 3 describes the format and content of the COMMREQ Command Block.

Note

This chapter pertains only to the CCM, SNP, and SNP-X Protocols, which protocols can be used to initiate communications. The RTU Protocol as implemented on the CMM is slave only and cannot initiate communications.

The Serial I/O Protocol COMMREQs are discussed in detail in Chapter 9.

Section 1: The Communications Request

The Communications Request can be used for a wide variety of PLC communications tasks. **This publication primarily describes its use for serial communications**. The Communications Request is initiated by a *COMMREQ Ladder Instruction*, which has an associated *Command Block* to define the characteristics of the request. An associated *Status Word* reports the progress and results of each request.

This section describes the structure and operation of the Communications Request.

Structure of a Serial Communications Request

The Communications Request is made up of three main parts which are important to the user. These parts are:

- The COMMREQ Ladder Instruction
- The Command Block
- The Status Word

The figure below illustrates the relationship of these parts:

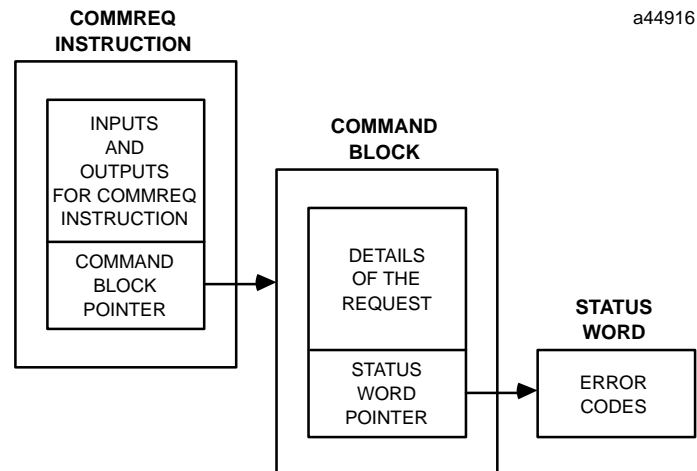


Figure 4-1. Structure of the COMMREQ

The COMMREQ Ladder Instruction: The COMMREQ Ladder Instruction is the main structure used to enter specific information about a communications request. This information includes the rack and slot location of the device (CMM or CPU) associated with the request and the port on which to execute the request. Also, the COMMREQ Ladder Instruction points to the location in memory where the first word of the Command Block is located.

The Command Block: The Command Block is a block of PLC memory that contains additional information about the communications request. This information includes timing parameters, a pointer to the Status Word, and a Data Block. The Data Block describes the direction of the data transfer and location and type of data being transferred.

The Status Word: The Status Word reports on the results of the communications request. For more information on the CCM Status Word, refer to Chapter 5, *CCM Service*. For more information on the SNP Status Word, refer to Chapter 6, *SNP Service*.

Operation of the Communications Request

The figure and text below describe generally what happens when a serial Communications Request is initiated. In the example shown, a CMM module is used for the serial communications:

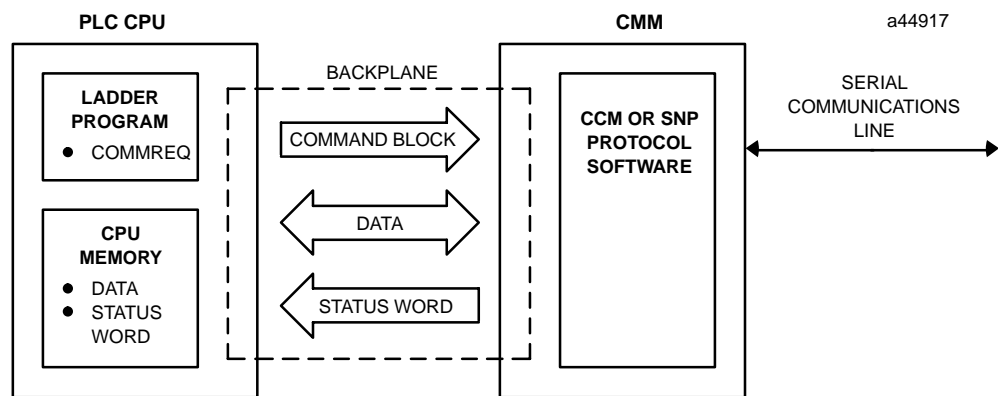


Figure 4-2. Communications Request Example

A Communications Request is initiated when a COMMREQ ladder instruction is activated. At that time, the PLC CPU sends details (which are contained in the COMMREQ Command Block) of the Communications Request to the target device. How the information is transferred to the target device depends upon whether the request is a local or remote request.

- **Local Requests.** In a local request, communications take place within the PLC, from module to module. They take place over the PLC backplane if the targeted module is in the CPU baseplate. Or, if the targeted module is mounted in an expansion or remote rack, communications take place over the Bus Expansion system. No data is communicated over a serial port if a local request is used. An example of a local request is a COMMREQ that clears the Serial Port buffer.
- **Remote Requests.** Remote requests result in communication through a serial port. In this case, the COMMREQ Command Block contains instructions that determine the parameters of the communications over the serial port. These instructions determine such things as what port will be used, if a Read or Write will be performed, how much data will be transferred, etc.

At the conclusion of every request, the status of the request is reported to a particular memory location indicated by the Status Word Pointer in the Command Block.

Timing for Processing CMM Communications Requests

If the CMM receives Communications Requests from the PLC faster than they can be processed by the CMM, the CMM may eventually log a QUEUE FULL application fault in the PLC fault table:

MOD: Other S/W error COMMREQ MB FULL START

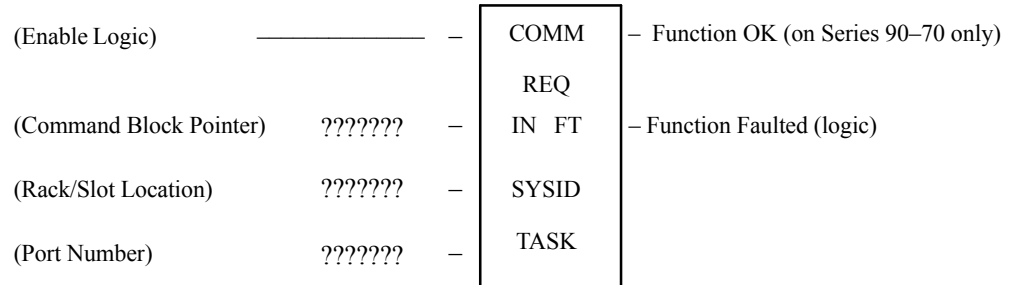
This fault can also occur if the CMM has stopped functioning

Additionally, COMMREQs can be issued so quickly that the PLC CPU cannot send them fast enough. This results in the application fault “Com Request not processed due to PLC memory limitation.” This will occur in a Series 90–30 system if the COMMREQ is issued every scan. Using a contact from a transition coil to enable the COMMREQ will help avoid this problem, and a timer instruction can be used to produce a delay between COMMREQ executions.

The first Communications Request sent to a CMM after a power cycle or ACFAIL must be delayed until the CMM has finished power-up initialization. A general rule of thumb is to wait five seconds after the first scan before trying to initiate a Communications Request.

Section 2: The COMMREQ Ladder Instruction

The Communications Request begins when the COMMREQ Ladder Instruction is activated. The COMMREQ Ladder Instruction has four inputs and one (Series 90–30) or two (Series 90–70) outputs:



Each of the inputs and outputs are discussed in detail below. It is important to understand that the Command Block Pointer input points to another location in memory where you must enter additional information about the Communications Request.

Enable Logic: This is a discrete contact input used to enable the COMMREQ. As a general rule we recommend using a contact from a transition (“one-shot”) coil to enable a COMMREQ. This is to avoid sending the COMMREQ every scan (sending the COMMREQ every scan could cause a fault).

IN: The location of the Command Block. It can be any valid address within a word-oriented area of memory: %P, %L, %R, %AI, or %AQ (only Series 90–70 supports %P and %L)

SYSID: A hexadecimal value that gives the rack and slot location of the module associated with this COMMREQ Instruction.

For the Series 90–70, if the SYSID is incorrectly programmed for a rack and slot that does not contain a CMM or applicable CPU, the function OK output is not activated. The Series 90–30 COMMREQ instruction does not have an OK output.

SYSID Examples:

Rack	Slot	Hex Word Value
0	4	0004h
3	4	0304h
2	9	0209h
7	2	0702h

For a Series 90 CPU, the SYSID is always 0001h for rack 0, slot 1 .

TASK: For a serial communications COMMREQ, the TASK parameter specifies the serial port on the CMM module or CPU to be used by this COMMREQ.

The following table lists the valid task numbers for the CMM modules:

Task Number	Description
1	Port 1 Protocol
2	Port 2 Protocol

The next table lists the valid task numbers for the CPU serial ports:

Task Number	Description
19	Port 1
20	Port 2

If the task number programmed for the CMM or the CPU serial ports is not valid, an application fault will be logged in the fault table: *COMMREQ BAD TASK ID*. This can occur if the task on the COMMREQ Instruction is misprogrammed or if a CMM has been configured without a communications protocol enabled on the targeted serial port.

OK and FT Outputs: The function’s OK (Series 90–70 only) and FT outputs can provide power flow to optional logic which can verify successful completion of the Communications Request. The OK and FT outputs can have these states:

ENable	Error?	OK output (Series 90–70 Only)	FT output
active	no	true	false
active	yes	false	true
not active	no execution	false	false

Power Flow: The COMMREQ Instruction passes power flow without delay to the OK output (only the Series 90–70 has an OK output) in NOWAIT mode. In WAIT mode, the function passes power flow to the OK output unless the timeout period is exceeded, or if a 0 timeout period has been specified. Then, the OK output is set to false and the FT output is set to true. WAIT/NOWAIT modes are discussed in detail in Section 3: “The COMMREQ Command Block.”

The FT output can also be set true and OK set to false if:

- The specified target address is not present.
- The specified task is not valid for the device.
- Data length is 0.

In addition to the FT output, which is a discrete bit, the COMMREQ instruction also has a Status Word that reports fault information codes if a problem occurs.

Section 3: The COMMREQ Command Block

The Command Block contains the details of a Communications Request. The address of the Command Block is specified by the IN input of the COMMREQ Ladder Instruction. This address can be in any word-oriented area of memory (%P, %L, %R, %AI, or %AQ). The Command Block structure can be placed in the designated memory area using an appropriate programming instruction (the BLOCK MOVE instruction is recommended).

The Command Block has the following structure:

Data Block Length	Word 1
WAIT/NOWAIT Flag	Word 2
Status Pointer Memory Type	Word 3
Status Pointer Offset	Word 4
Idle Timeout Value	Word 5
Maximum Communication Time	Word 6
Data Block	Words 7 up to 134

When entering information for the Command Block, refer to these definitions:

Data Block Length (Word 1): This is the length of the Data Block portion of the Command Block (1 to 128 words). The Data Block portion starts at Word 7 of the Command Block. The length is measured from the beginning of the Data Block at Word 7, not from the beginning of the Command Block.

WAIT/NOWAIT Flag (Word 2): This flag determines whether the Series 90 PLC will wait until the CMM, or CPU 351 or CPU 352 serial ports receive the intended data before continuing. Valid values are:

0 = NOWAIT

1 = WAIT for reply

The request can either send a message and wait for a reply, or send a message and continue without waiting for a reply. If the Command Block specifies that the program will *not* wait for a reply, the Command Block contents are sent to the CMM and ladder program execution resumes immediately. This is referred to as NOWAIT mode.

If the Command Block specifies that the program *will* wait for a reply, the Command Block contents are sent to the targeted device and the CPU waits for a reply. The maximum length of time the PLC will wait for the device to respond is specified in the Command Block. If the device does not respond in that time, ladder program execution resumes. This is referred to as WAIT mode.

Caution

When using the CCM Protocol, it is recommended that this flag be set to NO-WAIT. Otherwise, the time spent by the CCM Protocol could negatively impact the CPU sweep.

When using the SNP Protocol, this flag *must* be set to NOWAIT. Any SNP COMMREQ with the WAIT flag set will be immediately returned with an error.

Status Word Pointer Memory Type (Word 3): The Status Word is written into PLC CPU memory at the location specified by Command Block Word 3 and Word 4. The format of this location includes memory type (Word 3) and offset (Word 4).

Abbreviation	Memory Type	Value to Enter	
		Decimal	Hexadecimal
%I	Discrete input table	70	46h
%Q	Discrete output table	72	48h
%R	Register memory	8	08h
%AI	Analog input table	10	0Ah
%AQ	Analog output table	12	0Ch

Status Word Pointer Offset (Word 4): This word contains the offset within the memory type selected. *The status word pointer offset is a zero-based number.* For example, if you want %R1 as the location of the Status Word, you must specify a zero for the offset. The offset for %R100 would be 99.

For information on the contents of the CCM Status Word, see *Chapter 5, CCM Service*.

For information on the contents of the SNP Status Word, see *Chapter 6, SNP Service*.

Idle Timeout Value (Word 5): The idle timeout value is the maximum time the PLC waits for the CMM to acknowledge receipt of the request. For NOWAIT, this value is not used. (Any timeout value is ignored; it can be zero.) If WAIT is selected, this word specifies the idle time-out period, in 100-microsecond increments.

Maximum Communication Time (Word 6): This word contains the maximum amount of time the program should hold the window open when the CMM is busy. For NOWAIT, this value is not used. (Any timeout value is ignored; it can be zero.) If WAIT is selected, this word specifies the maximum time in 100 microsecond increments.

Data Block (Words 7 - 134): The Data Block contains information about the request in a format that depends on the communication protocol being used.

For Data Block information on the CCM protocol, see *Chapter 5, CCM Service*. The CCM Data Block is a maximum of 6 words long.

For Data Block information on the SNP protocol, see *Chapter 6, SNP Service*. The SNP Data Block length depends upon the particular SNP command.

Chapter 5

CCM Service

This chapter describes the CCM serial communications service. Before proceeding with this chapter, it is important to be familiar with the information presented in Chapter 4, Initiating Communications - The COMMREQ.

This chapter contains the following sections:

- Section 1: The CCM COMMREQ Data Block
- Section 2: The CCM COMMREQ Status Word
- Section 3: CCM COMMREQ Programming Examples

Comparisons among the Series 90, Series Six, Series Five, and Series One PLC CCM implementations are provided in Appendix C to assist those experienced in the operation of CCM on GEs programmable controllers.

The CCM serial communications service is not supported on any Series 90 CPU serial port. You must use CMM or PCM modules for CCM support.

Section 1: The CCM COMMREQ Data Block

The CCM COMMREQ Data Block is the part of the COMMREQ Command Block that identifies which CCM Command is to be executed and provides specific parameters for that CCM Command.

In describing the CCM COMMREQ Data Block, the following topics are discussed:

- Structure of the CCM Data Block
- Data Block Summary for CCM Commands
- CCM Memory Types
- CCM Memory Addressing and Data Lengths

Structure of the CCM Data Block

The CCM Data Block has the following structure:

Description	Command Block Word
CCM Command Word	Word 7
Target ID	Word 8
Target Memory Type	Word 9
Target Memory Address	Word 10
Data Length	Word 11
Source Memory Address	Word 12

Each of the elements of the CCM Data Block are explained below:

CCM Command Number (Word 7): This word identifies which CCM Command is to be executed. There are two categories of CCM Commands, local commands and remote commands. The local commands take place between the initiating CPU and its associated CMM only. They are not sent over the serial line. The remote commands, Read/Write commands, are sent over the serial line. A complete list of CCM Commands is provided later in this section under the heading, Data Block Summary for CCM Commands.

Target ID (Word 8): To execute a transfer of data between CCM devices, one CCM device must request the transfer and the other must comply with the request. The device requesting or initiating the transfer is the *source*; the device complying with, but not initiating, the request is the *target*. Data can flow from source to target, as well as from target to source.

The Target ID is the identification number of the target device; for Series 90 CCM, it is the CPU ID number. Each CMM port can be configured with the same or a different CPU ID number. This number is assigned using the GE Intelligent Platforms configuration software. If not familiar with how to do set this number, consult your software's user's manual or on-line help system for details. On the Series 90-30, if you are using a CPU331 or higher, a default CPU ID is assigned by the

PLC's CPU. This default CPU ID is a value of 1 on both CMM ports. CPU ID of value 1 is also the initial Logicmaster 90 default configuration value.

The value of the target ID number can be from 1 to 255 in peer-to-peer mode or from 1 to 90 in master-slave mode. Target ID 0 is reserved. *Any peer CCM device, regardless of its ID, will respond to target ID 255.*

Target Memory Type (Word 9): This is the type of memory being accessed in the CCM target device. There are nine accessible Series 90 target memory types (1, 2, 3, 6, 9, 13, 14, 17, and 18). The memory types are discussed later in this section under the heading, CCM Memory Types. Other CCM devices support different types ranges, see Appendix D.

Target Memory Address (Word 10): The Target Memory Address specifies the address within the CCM target device where the data transfer is to begin. The address range for each Series 90 memory type and addressing examples are provided later in this section under the heading, CCM Memory Addressing and Data Lengths.

Note

For both target memory type and target memory address, the error checking is done by the responding device, and not by the initiating CMM. Target memory types and target memory addresses, which may be invalid for the initiating CPU, may be valid for the responding CCM device.

Data Length (Word 11): This is the length of the data transfer. The units are determined by the source memory type, which is specified by the command number. The unit length and accessible increment for each memory type is described with examples under the heading, CCM Memory Addressing and Data Lengths, later in this section.

Source Memory Address (Word 12): The source memory address specifies the address within the Series 90 CPU where the data transfer is to begin. The address range for each Series 90 memory type and addressing examples are provided later in this section under the heading, CCM Memory Addressing and Data Lengths.

Data Block Summary for CCM Commands

The first word of the Data Block (Command Block Word 8) must be a command in the range of 6000 to 6199 (decimal) and is similar to the commands used by the Series Six™ CCM modules.

A subrange of 6000 to 6099 is reserved for general utility type functions that only involve local data storage on the CMM (local commands) and generally are used in all CCM modes (master, slave, peer-responder, and peer-initiator).

The subrange 6100 to 6199 is used for operations that require initiating communication over the serial line (remote commands) and are generally restricted to CCM modes of master and peer-initiator.

The following table lists the command words and the required parameters for each. For more detailed information and examples of each command, refer to Section 3 of this chapter.

Table 5-1. COMMREQ Data Block Summary for CCM Commands

Command Description	Data Block Size	Data Block Registers (X indicates Required; — indicates Not Used)					
		Command Word Word 7	Target ID Word 8	Target Memory Type Word 9	Target Memory Address Word 10	Data Length Word 11	Source Memory Address Word 12
Set Q Response ^{1,2} (Slave mode only)	3 words	6001 (1771h)	X ^{3a}	X ^{3b}	—	—	—
Clear CCM Diagnostic ¹ Status Words	1 word	6002 (1772h)	—	—	—	—	—
Read CCM Diagnostic ¹ Status Words to Source Registers	6 words (2 words unused)	6003 (1773h)	—	—	X	X	X
Software Configuration ¹	15 words	6004 (1774h)	See Section 3 for details				
Read from Target to Source Register Table	6 words	6101 (17D5h)	X	X	X	X	X
Read from Target to Source Input Table	6 words	6102 (17D6h)	X	X	X	X	X
Read from Target to Source Output Table	6 words	6103 (17D7h)	X	X	X	X	X
Read Q-Response to Source Register Table	6 words (3 used)	6109 (17DDh)	X	—	—	—	X ⁴
Single Bit Write	4 words	6110 (17DEh)	X	X	X	—	—
Write to Target from Source Register Table	6 words	6111 (17DFh)	X	X	X	X	X
Write to Target from Source Input Table	6 words	6112 (17E0h)	X	X	X	X	X
Write to Target from Source Output Table	6 words	6113 (17E1h)	X	X	X	X	X

¹ Internal Command (no communications across the serial port).

² The Q Response can be set via command 6001, and the CCM slave will respond to a Q Sequence Enquiry received from an external device on the serial port. For a description of the Q Sequence, refer to Section 3 of this chapter.

^{3a} Data bytes 1 and 2.

^{3b} Data bytes 3 and 4.

⁴ Source Register Memory (%R) address.

CCM Memory Types

The tables below list the memory types supported by the Series 90 CCM. The memory types for the CCM single bit set and clear are logical memory types. They map to the same input and output tables as memory types 1 and 2, but are assigned unique memory type numbers because they are used to perform the bit set and bit clear special operations on the input and output tables.

Table 5-2. Memory Types Supported by Series 90 CCM

CCM Memory Type	CCM Target Table	Operation
1	Register Table	Read/Write
2	Input Table	Read/Write
3	Output Table	Read/Write
6	CCM Scratch Pad	Read
9	Diagnostic Status Words	Read
13	Input Table	Bit Set
14	Output Table	Bit Set
17	Input Table	Bit Clear
18	Output Table	Bit Clear

The CCM Scratch Pad (Memory Type 6)

The entire scratch pad is updated every time an external READ request is received by CCM. All scratch pad locations are *read only*. The scratch pad is a byte-oriented memory type.

Table 5-3. CCM Scratch Pad Memory Allocation

SP Address	Field Identifier	Bits							
		7	6	5	4	3	2	1	0
00	CPU Run Status	0	0	0	0	See Note (1)			
01	CPU Command Status	Bit pattern same as SP(00)							
02 03	CPU Type	Major ^{2a} (in hexadecimal) Minor ^{2b} (in hexadecimal)							
04-0B	CPU SNP ID	7 ASCII characters + termination character = (00h)							
0C 0D	CPU Firmware Revision No.	Major (in BCD) Minor (in BCD)							
0E 0F	PCM/CMM Firmware Revision No.	Major (in BCD) Minor (in BCD)							
10-11	Reserved	(00h)							
12 ³	Node Type Identifier	(90-70: 0Ch; 90-30/35: 0Dh)							
13-15	Reserved	(00h)							
16	CCM CPU ID	Master/Slave: 1-90 (Decimal) Peer-to-Peer: 1-254							
17	Reserved	(00h)							
18-33	Sizes of Memory Types	See Note (4)							
18-1B	Register Memory	%R size							
1C-1F	Analog Input Table	%AI size							
20-23	Analog Output Table	%AQ size							
24-27	Input Table	%I size							
28-2B	Output Table	%Q size							
2C-2F	Internal Discrete Memory	%M size							
30-33	User Program Code	See Note (5)							
34-FF	Reserved	(00h)							

Scratch Pad Memory Allocation Footnotes

- 1 0000 = Run_Enabled 0100 = Halted
 0001 = Run_Disabled 0101 = Suspended
 0010 = Stopped 0110 = Stopped_IO_Enabled
 0011 = Stopped_Faulted

- 2a PLC CPU Major Type Codes:
 S9070_PLC_CPU 12 (0Ch) Series 90-70 PLC CPU
 S9030_PLC_CPU 16 (10h) Series 90-30 PLC CPU

- 2b Minor CPU Type Codes:

Minor Type Codes for Series 90–30 CPUs		
35 (23h) for CPU331	44 (2Ch) for CPU350	40 (28h) for CPU360
38 (26h) for CPU340	37 (25h) for CPU351	41 (29h) for CPU363
36 (24h) for CPU341	39 (27h) for CPU352	42 (2Ah) for CPU364

Minor Type Codes for Series 90–70 CPUs		
84 (54h) for CFR782	80 (50h) for CPU780	24 (18h) for CPU924
29 (1Dh) for CFR928	81 (51h) for CPU781	25 (19h) for CPU925
74 (4Ah) for CGR772	82 (52h) for CPU782	73 (49h) for CPX772
36 (24h) for CGR935	88 (58h) for CPU788	83 (53h) for CPX782
31 (1Fh) for CPU731	89 (59h) for CPU789	28 (1Ch) for CPX928
32 (20h) for CPU732	90 (5Ah) for CPU790	35 (23h) for CPX935
71 (47h) for CPU771	92 (5Ch) for CPU914	
72 (48h) for CPU772	15 (0Fh) for CPU915	

- 3 Located in the same position as in the Series Six scratch pad. Series One, Three, and Five PLC users who need to determine the node type, should note this location and make drive modifications where necessary.
- 4 Scratch Pad Bytes 18h–33h

Bytes	Length of Memory	Size Returned In
18-1B	%R Register Memory	Words
1C-1F	%AI Analog Input Table	Words
20-23	%AQ Analog Output Table	Words
24-27	%I Input Table	Points (Bits)
28-2B	%Q Output Table	Points (Bits)
2C-2F	%M Internal Discrete Memory	Points (Bits)
30-33	User Program Code	Bytes

Note: Four bytes hold the hexadecimal length of each memory type with the most significant word reserved for future expansion. For example, the 731 default register memory size of 1024 words (0400h) would be returned in the following format:

Word	Least Significant		Most Significant	
SP Byte	18	19	1A	1B
contains	00	04	00	00

- ⁵ The amount of program memory occupied by the logic program. Also appears on the Logicmaster 90 PLC Memory Usage screen in the User Program field.

Diagnostic Status Words

In addition to the CCM Status Word which is automatically transferred from the CMM to the CPU, there are 20 Diagnostic Status Words which are maintained and updated within the CMM. The Diagnostic Status Words are not automatically transferred to the CPU; the internal COMMREQ command 6003 (Read Diagnostic Status Words to Source Registers) is used to transfer these status words to the CPU. An external device can access these status words using a READ command with target memory type 9. The table below explains the purpose of each Diagnostic Status Word.

When two CCM ports are running concurrently, each has its own copy of Diagnostic Status Words. Neither can report on the status of the other.

The Series Six Diagnostic Status Words contained data referring to both ports. The Series 90 maintains two separate sets of Diagnostic Status Words as outlined in the following table. The software version number remains in the same location as it was in the Series Six PLC.

Table 5-4. CCM Diagnostic Status Word Definitions

Diagnostic Status Word	Word Contents	
	Byte 2	Byte 1 (LSB)
1	00h	Serial Port Error Code ¹
2	Number of Successful Conversations ²	
3	Number of Aborted Conversations ²	
4	Number of Header Retries	
5	Number of Data Block Retries	
6	Number of Q-Sequence Successes	
7	Number of Peer-to-Peer Collisions	
8-11	Reserved (00h)	
12	PCM/CMM Software Version Number ³	
13	COMMREQ Status Word ⁴	
14	Reserved (00h)	
15-20	COMMREQ Data Block Contents	

- ¹ Refer to Section 2 of this chapter for a list of the possible error codes and their definitions.
- ² Internal commands will not modify this count. The term *conversation* refers to serial communications across the serial port.
- ³ Same as the PCM/CMM Firmware Revision Number in the scratch pad (0E-0F). This value will always remain in word 12 of the diagnostic status words, even when the diagnostic status words are cleared by issuing internal command 6002 or by an external device request.
- ⁴ Refer to Section 2 of this chapter for a description of the returned Status Word for a CCM COMMREQ.

CCM Memory Addressing and Data Lengths

In order to carry out a data transfer, the CCM protocol must be given the address at which the transfer is to begin and the length of the data to be transferred. The starting address plus the length must not exceed the end of a table boundary. The requirements for specification of the starting address and data length are explained in this section, followed by general guidelines for replacing a Series One, Three, Five or Six PLC with a Series 90 PLC in an application using CCM protocol.

CCM Memory Addresses

The memory addresses in the following table are target addresses when the *responding* device is a Series 90 PLC. These addresses are source addresses when the *initiating* device is a Series 90 PLC.

Table 5-5. Target/Source Memory Addresses

Memory Type	Description	Address Ranges ¹
1 Register	Specifies the register with which the data transfer is to begin.	1-Maximum Units
2 Input Table 3 Output Table	Specifies the input or output point with which the data transfer is to begin. Source memory address must be on a byte boundary (that is, 1, 9, 17 ...). ²	1-Maximum Units
6 CCM Scratch Pad Memory ³	Specifies the scratch pad byte with which the data transfer is to begin.	0-255
9 CCM Diagnostic Status Words ³	Specifies the diagnostic status word with which the data transfer is to begin.	1-20
13 Bit Set Input 14 Bit Set Output	Specifies the input or output point to be set.	1-Maximum Units
17 Bit Clear Input 18 Bit Clear Output	Specifies the input or output point to be cleared.	1-Maximum Units

- ¹ The maximum addressable ranges for each memory type depends on the model of CPU and memory configuration.
- ² For I/O references, the Series 90 and Series Six CCM implementations use point-oriented addressing, rather than the byte-oriented addressing of the Series One, Three and Five PLCs. The starting address is interpreted by the Series 90 PLC as the bit number at which the transfer is to begin. Series 90 source memory addresses must be on a byte boundary. (See the examples that follow.)
Software packages which use the byte-oriented addressing method to interface with a Series One, Three, or Five PLC may need to be modified for the Series 90 PLC.
- ³ Scratch pad and diagnostic status words are resident in PCM/CMM memory.

Examples:

Example 1: To read target Series 90 inputs 9 through 16 into source Series 90 inputs 17 through 24, the source address is 17, the target address is 9, and the data length is 8.

Example 2: To read target Series One inputs 9 through 16 into source Series 90 inputs 17 through 24, the source address is 17, the target address is 2 (Series One I/O addressing is byte-oriented), and the data length is 8.

Example 3: To read target Series 90 input 27 into source Series 90 input 3, you must specify a source address of 1, a target address of 25, and a data length of 8. Inputs 1 through 8 of the source input table will be overwritten with the values of inputs 25 through 32 of the target input table.

Example 4: To read target Series One input 27 into source Series 90 input 3, you must specify a source address of 1, a target address of 4, and a data length of 8. Inputs 1 through 8 of the source input table will be overwritten with the values of inputs 25 through 32 of the target input table.

CCM Data Lengths

The data length refers to the length of the data transfer. The units are determined by the source memory type and are listed in the following table.

Table 5-6. Unit Lengths of Series 90 CCM Memory Types

Memory Type	Unit Length	Length Accessible
1: Registers	1 Register=16 bits	Register(s)
2,3: Inputs and Outputs	1 Point = 1 bit	Multiple(s) of 8 Points
6: Scratch Pad	1 Byte = 8 bits	Byte(s)
9: Diagnostic Status Words	1 Word = 16 bits	Word(s)
13,14: Bit Set Input/Outputs 17,18: Bit Clear Inputs/Outputs	1 Point = 1 bit	Point

Examples:

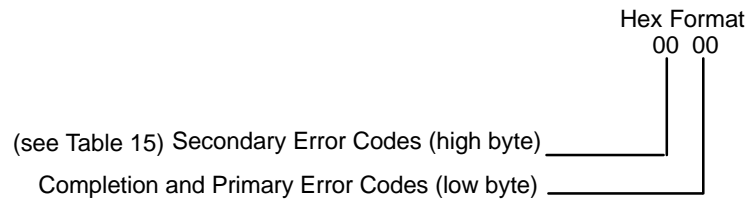
Example 1: To read 12 bytes of the target Series 90 scratch pad into Series 90 (or Series Six) registers, the data length is 6 since the unit length for the source memory type (registers) is a register. To read 12 diagnostic status words into the registers, the data length would be 12 because both registers and diagnostic status words have equivalent unit lengths (register = word = 2 bytes).

Example 2: To read 8 target Series 90 inputs into Series 90 (or Series Six) inputs, the data length is 8 points since the unit length is the same for each. CCM memory types 2 and 3 (inputs and outputs) can only be accessed in multiples of 8.

Example 3: To read 8 target Series 90 registers into Series 90 (or Series Six) inputs, the data length is 8 registers times 16 points per register = 128 points.

Section 2: The CCM COMMREQ Status Word

The CCM COMMREQ Status Word reports on the progress and results of a CCM request. The memory address to which the Status Word is written by the CMM is specified in Words 3 and 4 of the Command Block. The contents of the CCM Status Word are defined as:



There are several points to remember when interpreting the contents of the CCM COMMREQ Status Word:

1. CCM will never send a zero for the CCM Status Word to the PLC CPU. If the user program needs to know if the command is complete, it can zero the CCM Status Word before issuing the COMMREQ and then check it for being non-zero.
2. A status code of 1 in the low byte indicates that the request was completed without errors. Refer to the table below for a complete listing of secondary error codes for CCM.
3. Display the CCM Status Word in hexadecimal format to read the two bytes of data. When an error occurs, the low byte will be greater than 1.

The following table lists the CCM error codes that are reported (as secondary error codes) in the high byte of the CCM Status Word after the execution of a CCM COMMREQ. These codes also appear in the low byte of CCM Diagnostic Status Word (DSW) 1.

Table 5-7. CCM Secondary Error Codes (High Byte of COMMREQ Status Word, Low Byte of DSW)

Error Code		Description
Decimal	Hexadecimal	
0	00	Successful transfer.
1	01	A timeout occurred on the serial link.
2	02	A COMMREQ attempted to write data to a section of the CCM scratch pad that is permanently write-protected by CCM.
3	03	A COMMREQ attempted to read or write a non-existent I/O point.
4	04	A COMMREQ attempted to access more data than is available in a particular memory type.
5	05	A COMMREQ attempted to read or write an odd number of bytes to register memory or the diagnostic status words.
6	06	A COMMREQ attempted to read or write one or more non-existent registers.
7	07	A COMMREQ specified the transfer of zero data bytes.
8	08	A COMMREQ attempted to write to protected memory.
9	09	A COMMREQ attempted to transfer data to or from an invalid memory type or absolute source address.
10	0A	A COMMREQ attempted to read or write one or more non-existent diagnostic status words.
11	0B	A COMMREQ attempted to transfer data beginning at an invalid scratch pad address or an input/output table address not on a byte boundary (that is, 1, 9, 17 ...).
12	0C	Serial communication was aborted after a data block transfer was retried three times, or a number specified by the configuration.
13	0D	Serial communication was aborted after a header transfer was retried three times, or a number specified by the configuration.
14	0E	Serial communication was aborted after a Q-Request was retried three times, or a number specified by the configuration.
15	0F	An attempt was made to set the Q-Response data on a device not configured as a slave.
20	14	One or more of the following errors occurred during a data block transfer: <ul style="list-style-type: none"> a. An invalid STX character was received. b. An invalid ETB character was received. c. An invalid ETX character was received. d. An invalid LRC character was received. e. A parity, framing, or overrun error occurred.

Table 5-7 (Continued)

Error Code		Description
Decimal	Hexadecimal	
21	15	CCM expected to receive an EOT character from an external device and did not receive it.
22	16	CCM expected to receive an ACK or NAK character and did not receive either one.
23	17	Communication was aborted when CCM did not receive a valid acknowledge to a master enquire sequence after 32 attempts, or a number specified by the configuration.
24	18	Communication was aborted after a peer enquire was NAKed 32 times by the external device, or a number specified by the configuration.
25	19	Communication was aborted when CCM did not receive a valid response to a peer enquire after 32 attempts, or a number specified by the configuration.
26	1A	A timeout occurred during an attempt to transmit on a port due to CTS being in an inactive state too long.
29	1D	An error occurred when data was being transferred between CCM and the Series 90 CPU.
30	1E	A parity, framing, or overrun error occurred during a serial header transfer.
31	1F	A parity, framing, or overrun error occurred during a serial data block transfer.
34	22	Bad Q-Response received.
48	30	A COMMREQ attempted to initiate a conversation on a port in use.
65	41	The COMMREQ command number is invalid.
66	42	An invalid COMMREQ data block length was specified.
68	44	The COMMREQ is invalid on a peer port.
69	45	The COMMREQ is invalid on a slave port.
70	46	The COMMREQ is valid only on a master port.
71	47	The COMMREQ target ID is invalid.
72	48	The COMMREQ data block values are out of range.
127	7F	Generic miscellaneous error.

Section 3: CCM COMMREQ Programming Examples

This section provides an explanation and example of each CCM Command. Each example includes values for the Command Block. A ladder program example is also presented here for your convenience.

Before attempting to execute the CCM Command examples make sure you have first done the following:

- Installed the CMM in the desired rack (see Chapter 2), and connected a cable between the Logicmaster 90 or Hand Held Programmer and the PLC.
- Performed Rack Configuration and selected the desired communications parameters for the CMM. (See Chapter 2). Verified that configuration is valid.
- Stored the configuration to the PLC. (See Chapter 2).
- Installed the serial communications cable, if you are executing a remote command. (See Chapter 8 for cable diagrams).
- Written and Stored the ladder program below or a similar program.

Ladder Program Example

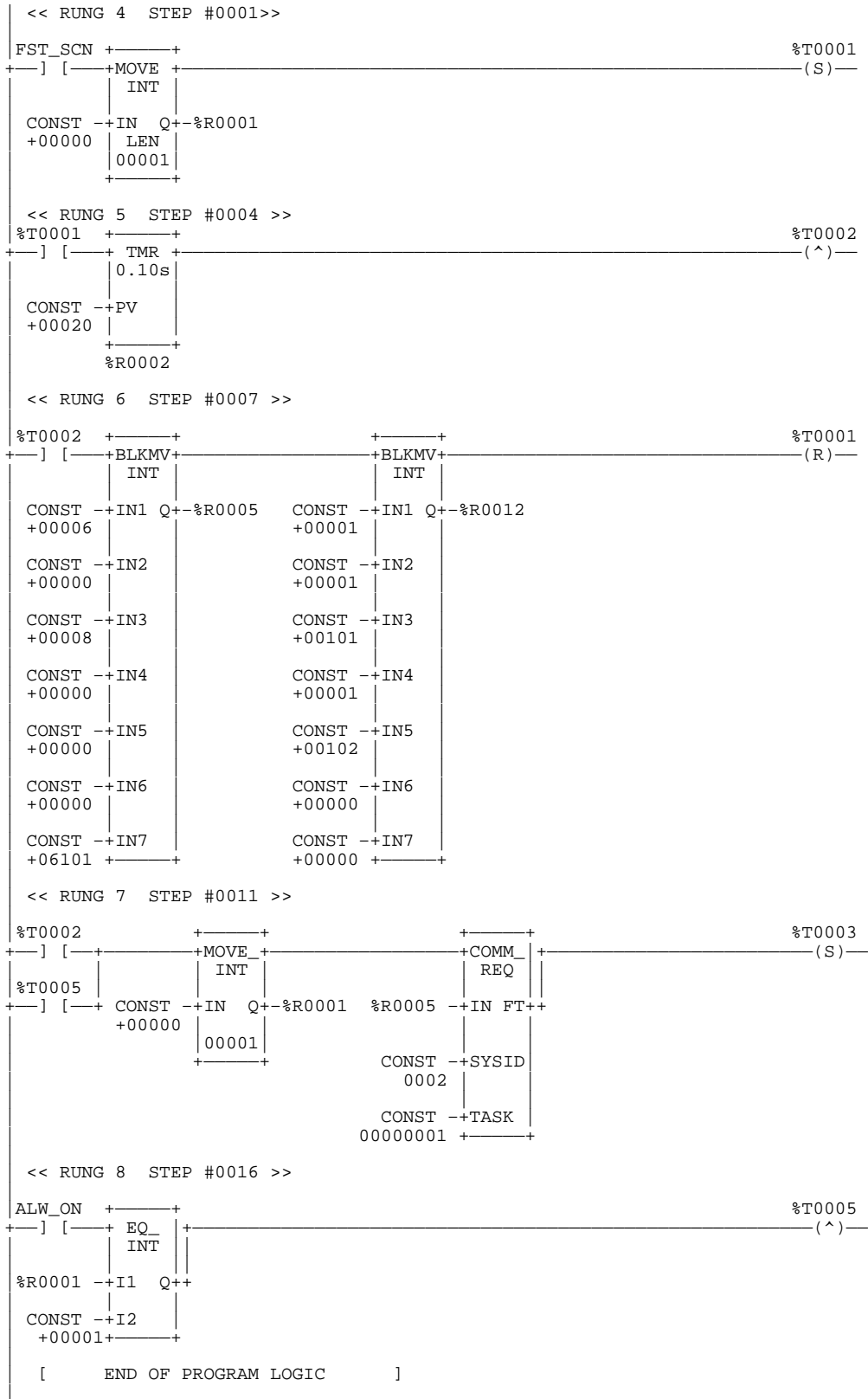
Use the following ladder program to become familiar with programming CCM Commands and to verify that your system is connected and operating properly.

In the CCM Command examples that follow, simply substitute the values of the provided Command Block into the BLOCK MOVE instructions of the ladder program example below. Then place the PLC in RUN mode. You can check the Status Word and appropriate data tables to see if the command executed properly.

In the ladder program example, the COMMREQ inputs are defined as follows:

- The IN input assigns Register %R0005 as the beginning of the Command Block.
- The SYSID input indicates that the location of the associated CMM is in rack 0, slot 2. Make sure this value matches your system configuration.
- The TASK input indicates that commands will be executed by port 1 of the CMM.

Ladder Program Example



CCM Command Examples

Note

In each of the following examples, NOWAIT mode is selected and the Status Word is assigned to Register 10 (%R00010).

Set Q Response: 06001 (1771)

Description

Local Command. The Set Q Response command is for a CMM configured in slave mode only. The command is used to pass four bytes of data in Q sequence format from the PLC CPU to the CMM. A remote master device will then poll this slave CMM with a Read Q Sequence command to obtain the data. The Q Sequence operation avoids the 17-byte header included in Read/Write commands.

- In this command, Words 8 and 9 of the Command Block have a special purpose:

Word 8:	Data bytes 1 and 2 of Q Response
Word 9:	Data bytes 3 and 4 of Q Response

- Data byte format:

	<u>High Byte</u>	<u>Low Byte</u>
Word 8:	Data Byte 2	Data Byte 1
Word 9:	Data Byte 4	Data Byte 3

Example:

Set Q response with the numbers 1, 2, 3, 4.

Word 1:	0003 (0003)	Data Block Length
Word 2:	0000 (0000)	NOWAIT Mode
Word 3:	0008 (0008)	Status Word Memory Type (Register)
Word 4:	0009 (0009)	Status Word Address minus 1 (Register 10)
Word 5:	0000 (0000)	Not used in NOWAIT Mode
Word 6:	0000 (0000)	Not used in NOWAIT Mode
Word 7:	06001 (1771)	Command Number
Word 8:	00513 (0201)	Data Bytes 1 and 2
Word 9:	01027 (0403)	Data Bytes 3 and 4

Clear CCM Diagnostic Status Words: 06002 (1772)

Description

Local Command. This command requires only the command number, Word 7.

Example:

Clear CCM Diagnostic Status Words

Word 1:	00001 (0001)	Data Block Length
Word 2:	00000 (0000)	NOWAIT Mode
Word 3:	00008 (0008)	Status Word Memory Type (Register)
Word 4:	00009 (0009)	Status Word Address minus 1 (Register 10)
Word 5:	00000 (0000)	Not used in NOWAIT Mode
Word 6:	00000 (0000)	Not used in NOWAIT Mode
Word 7:	06002 (1772)	Command Number

Read CCM Diagnostic Status Words to Source Registers: 06003 (1773)

Description

Local Command. There are 20 consecutively numbered CCM Diagnostic Status Words which can be read by the PLC CPU. A transfer of all or part of the Diagnostic Status Words can be made to the CPU as long as they are in a consecutive block.

Example

Read the first five Diagnostic Status Words to source registers %R00050-%R00054.

Word 1:	00006 (0006)	Data Block Length
Word 2:	00000 (0000)	NOWAIT Mode
Word 3:	00008 (0008)	Status Word Memory Type (Register)
Word 4:	00009 (0009)	Status Word Address minus 1 (Register 10)
Word 5:	00000 (0000)	Not used in NOWAIT Mode
Word 6:	00000 (0000)	Not used in NOWAIT Mode
Word 7:	06003 (1773)	Command Number
Word 8:	00000 (0000)	Not used
Word 9:	00000 (0000)	Not used
Word 10:	00001 (0001)	Target Memory Address
Word 11:	00005 (0005)	Data Length (words)
Word 12:	00050 (0032)	Source Register

Software Configuration Command: 06004 (1774)

Description:

Local command. This command allows the PLC Ladder application program to reconfigure a CCM port with specific settings for timers and retry counters. This command, when issued, will override the configuration specified by Logicmaster 90. Specifying the value 65535 (FFFFh) for any parameter will indicate that the current setting for that parameter should remain in effect. The initial parameter settings are configured with Logicmaster 90.

Example:

Change the turnaround delay to 1000ms and the ENQ retry count to 16.

Word 1:	00015 (000F)	CCM Data Block Length
Word 2:	00000 (0000)	NOWAIT Mode
Word 3:	00008 (0008)	Status Word Memory (%R)
Word 4:	00009 (0009)	Status Word Address minus 1 (Register 10)
Word 5:	00000 (0000)	Not used
Word 6:	00000 (0000)	Not used
Word 7:	06004 (1774)	Command Number
Word 8:	01000 (03E8)	Turnaround Delay (0-65534ms)
Word 9:	65535 (FFFF)	ENQ_ACK_TIMER (0-65534ms)
Word 10:	65535 (FFFF)	SOH_TIMER (0-65534ms)
Word 11:	65535 (FFFF)	HEADER_TIMER (0-65534ms)
Word 12:	65535 (FFFF)	HEADER_ACK_TIMER (0-65534ms)
Word 13:	65535 (FFFF)	STX_TIMER (0-65534ms)
Word 14:	65535 (FFFF)	DATA_TIMER (0-65534ms)
Word 15:	65535 (FFFF)	DATA_ACK_TIMER (0-65534ms)
Word 16:	65535 (FFFF)	EOT_TIMER (0-65534ms)
Word 17:	00016 (0010)	ENQ_COUNT (0-50)
Word 18:	65535 (FFFF)	HEADER_COUNT (0-50)
Word 19:	65535 (FFFF)	DATA_BLK COUNT (0-50)
Word 20:	65535 (FFFF)	RS-485 operating mode (2, 4, or FFFF)
Word 21:	65535 (FFFF)	Re-enable RS-485 receiver delay (0-65534 ms)

See Chapter 7, CCM Protocol, for a description of the use and value of each CCM timer and counter.

The *RS-485 operating mode* parameter allows the RS-485 driver to be configured to operate either as a 2-wire or 4-wire transmitter. 4-wire is the default operating mode. Specifying 2-wire operation disables the RS-485 receiver while the RS-485 driver is transmitting. The RS-485 receiver is re-enabled once the transmitter completes and any re-enable receiver delay has expired.

The *Re-enable receiver delay* parameter allows the RS-485 driver to delay the re-enabling of the RS-485 receivers once the transmitter completes a transmission. The delay is specified in units of milliseconds in the range 0-65534 ms.

Read Target to Source Memory: 06101-06103 (17D5-17D7)

Description

Remote Command. This set of commands is used to read information from the target device to one of the three source memory types listed below:

Source Memory Type	Command Number
Register Table	06101
Input Table	06102
Output Table	06103

The target memory types which can be accessed are:

Target Memory Type	Type Number
Register Table	1
Input Table	2
Output Table	3
CCM Scratch Pad	6
Diagnostic Status Words	9

Example

Read from target CCM Diagnostic Status Words 1-9 to source registers %R00936-%R00944. The target CPU ID is 36.

Word 1:	00006 (0006)	Data Block Length
Word 2:	00000 (0000)	NOWAIT Mode
Word 3:	00008 (0008)	Status Word Memory Type (Register)
Word 4:	00009 (0009)	Status Word Address minus 1 (Register 10)
Word 5:	00000 (0000)	Not used in NOWAIT Mode
Word 6:	00000 (0000)	Not used in NOWAIT Mode
Word 7:	06101 (17D5)	Command Number
Word 8:	00036 (0024)	Target CPU ID
Word 9:	00009 (0009)	Target Memory Type
Word 10:	00001 (0001)	Target Memory Address
Word 11:	00009 (0009)	Data Length
Word 12:	00936 (03A8)	Source Memory Address

Note

When using the Input and Output tables, the memory address must begin on a byte boundary and the data length must be a multiple of 8.

Read Q-Response to Source Register Table: 06109 (17DD)

Description

Remote command. This command allows the PLC programmer to read the Q-Response buffer of a remote device and store the data into a specific location of the Register Table. A Q-Response buffer contains exactly 2 registers of data.

Example

Read the Q-Response from CCM slave device 5 into registers %R00100-%R00101.

Word 1:	00006 (0006)	CCM Data Block Length
Word 2:	00000 (0000)	NOWAIT Mode
Word 3:	00008 (0008)	Status Word Memory (%R)
Word 4:	00009 (0009)	Status Word Address minus 1 (Register 10)
Word 5:	00000 (0000)	Not used in NOWAIT mode
Word 6:	00000 (0000)	Not used in NOWAIT mode
Word 7:	06109 (17DD)	Command Number
Word 8:	00005 (0005)	Target CPU ID (Slave ID=5)
Word 9:	00000 (0000)	Not used
Word 10:	00000 (0000)	Not used
Word 11:	00000 (0000)	Not used
Word 12:	00100 (0064)	Source Memory Address (Register 100)

Single Bit Write: 06110 (17DE)

Description

Remote Command. This command allows the user to set or clear a single bit in the input or output table of another CPU.

The target memory types/bit write functions are:

Target Memory Type	Type Number	Bit Function
Input Table	13	Bit Set
Output Table	14	Bit Set
Input Table	17	Bit Clear
Output Table	18	Bit Clear

Example

Clear Output %Q00713 in the target Series 90 PLC. The target CPU ID is 25.

Word 1:	00004 (0004)	Data Block Length
Word 2:	00000 (0000)	NOWAIT Mode
Word 3:	00008 (0008)	Status Word Memory Type (Register)
Word 4:	00009 (0009)	Status Word Address minus 1 (Register 10)
Word 5:	00000 (0000)	Not used in NOWAIT Mode
Word 6:	00000 (0000)	Not used in NOWAIT Mode
Word 7:	06110 (17DE)	Command Number
Word 8:	00025 (0019)	Target CPU ID
Word 9:	00018 (0012)	Target Memory Type/Function
Word 10:	00713 (02C9)	Target Memory Address

Write to Target from Source: 06111-06113 (17DF-17E1)

Description

Remote Command. This set of commands is used to write information to the target device from one of the three source memory types listed below:

Source Memory Type	Command Number
Register Table	06111
Input Table	06112
Output Table	06113

The target memory types which can be written to are:

Target Memory Type	Type Number
Register Table	1
Input Table	2
Output Table	3

Example

Write to target registers %R00200-%R00249 from source registers %R00001-%R00050. The target CPU ID is 10.

Word 1:	00006 (0006)	Data Block Length
Word 2:	00000 (0000)	NOWAIT Mode
Word 3:	00008 (0008)	Status Word Memory Type (Register)
Word 4:	00009 (0009)	Status Word Address minus 1 (Register 10)
Word 5:	00000 (0000)	Not used in NOWAIT Mode
Word 6:	00000 (0000)	Not used in NOWAIT Mode
Word 7:	06111 (17DF)	Command Number
Word 8:	00010 (000A)	Target CPU ID
Word 9:	00001 (0001)	Target Memory Type
Word 10:	00200 (00C8)	Target Memory Address
Word 11:	00050 (0032)	Data Length
Word 12:	00001 (0001)	Source Memory Address

Note

When using the Input, and Output tables, the memory address must begin on a byte boundary and the data length must be a multiple of 8.

Chapter 6

SNP Service

This chapter describes the SNP serial communications service. Before proceeding with this chapter, it is important to be familiar with the information presented in Chapter 4, *Initiating Communications - The COMMREQ*.

This chapter contains the following sections:

- Section 1: The SNP COMMREQ Data Block
- Section 2: The SNP COMMREQ Status Word
- Section 3: SNP COMMREQ Programming Examples

Section 1: The SNP COMMREQ Data Block

The SNP COMMREQ Data Block is the part of the COMMREQ Command Block that identifies which SNP Command is to be executed and provides specific parameters for that SNP Command.

In describing the SNP COMMREQ Data Block, the following topics are discussed:

- Structure of the SNP Data Block
- SNP Memory Types And Addressing

SNP Memory Types and Addressing

Many of the parameters of the COMMREQ require the specification of a PLC Memory Type. These parameters are used to specify the master and slave memory areas read or written. The following table identifies the valid set of PLC Memory Types, the access codes and unit lengths by which each type can be accessed, and the valid ranges of each type. The valid ranges may vary for different Series 90 PLC CPU models.

Table 6-1. Memory Types, Unit Lengths, and Valid Ranges

PLC Memory Type	Type Code		Unit Length	Valid Range ¹
	Dec	Hex		
Registers (%R)	08	08h	word	1-maximum units
Analog Inputs (%AI)	10	0Ah	word	1-maximum units
Analog Outputs (%AQ)	12	0Ch	word	1-maximum units
Discrete Inputs (%I)	70	46h	bit	1-maximum units
	16	10h	byte	1-maximum units ²
Discrete Outputs (%Q)	72	48h	bit	1-maximum units
	18	12h	byte	1-maximum units ²
Discrete Temporaries (%T)	74	4Ah	bit	1-maximum units
	20	14h	byte	1-maximum units ²
Discrete Internals (%M)	76	4Ch	bit	1-maximum units
	22	16h	byte	1-maximum units ²
Discretets (%SA)	78	4Eh	bit	1-maximum units
	24	18h	byte	1-maximum units ²
Discretets (%SB)	80	50h	bit	1-maximum units
	26	1Ah	byte	1-maximum units ²
Discretets (%SC)	82	52h	bit	1-maximum units
	28	1Ch	byte	1-maximum units ²
Discretets (%S) (read only)	84	54h	bit	1-maximum units
	30	1Eh	byte	1-maximum units ²
Genius Global Data (%G)	86	56h	bit	1-maximum units
	56	38h	byte	1-maximum units ²

¹ The maximum addressable ranges for each memory type depends on the model of CPU and memory configuration.

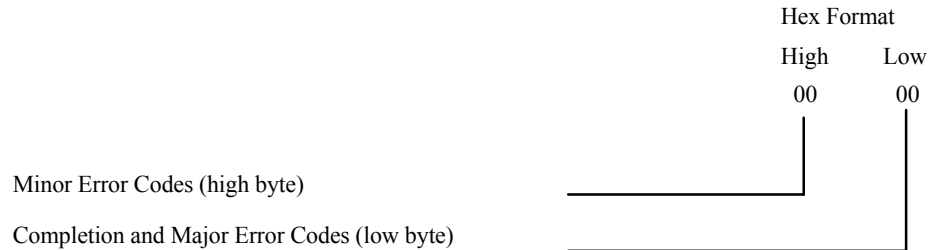
² When using a byte-oriented memory type, the corresponding memory address offsets and number of elements are expressed in bytes, not bits.

Note

There is no difference between bit and byte-oriented memory types in terms of processing speed, message length or message transfer time. Special memory type restrictions apply in Datagram Point Formats.

Section 2: The SNP Status Word

The SNP COMMREQ Status Word reports on the progress and results of an SNP communications request. The memory address to which the Status Word is written by the CMM is specified in Words 3 and 4 of the Command Block. The contents of the SNP Status Word are defined as:



There are several points to remember when interpreting the contents of the SNP COMMREQ Status Word:

1. The CMM will never send a zero for the SNP Status Word to the PLC CPU. If the user program needs to know if the command is complete, it can zero the SNP Status Word before issuing the COMMREQ and then check it for being non-zero.
2. A status code of 1 in the low byte and 0 in the high byte indicates that the request was completed without errors. All other non-zero values indicate errors. Refer to the tables below for a complete listing of major and minor error codes for SNP.
3. Display the SNP Status Word in hexadecimal form to read the two bytes of data.
4. When an error occurs, the low byte (major error code) will be greater than 1.
5. The high byte will contain any applicable minor error code.

The following tables list the SNP error codes that are reported in the SNP Status Word after the execution of an SNP COMMREQ. When an error occurs, these codes also appear in the first word of the SNP Diagnostic Status Words (DSW 1).

SNP Major Error Codes

Table 6-2. Major Error Codes for SNP

Error Status		Major Error Description
Decimal	Hexadecimal	
1	01h	Successful Completion. (This is the expected completion value in the COMMREQ Status Word.)
2	02h	Insufficient Privilege. For Series 90-70 PLC, the minor error code contains the privilege level required for the service request.
4	04h	Protocol Sequence Error. The CPU has received a message that is out of order.
5	05h	Service Request Error. The minor error code contains the specific error code. See table of Minor Error Codes below.
6	06h	Illegal Mailbox Type. Service request mailbox type is either undefined or unexpected.
7	07h	The PLC CPU's Service Request Queue is full. The master should retry later. It is recommended that the master wait a minimum of 10 msec before sending another service request.
10	0Ah	SNP DOS Driver Error. The minor error code contains the specific error code. See table of Minor Error Codes below.
11	0Bh	Illegal Service Request. The requested service is either not defined or not supported. (This value is returned in lieu of the actual 01h value passed in the SNP error message, to avoid confusion with the normal successful COMMREQ completion.)
12	0Ch	Local SNP/SNP-X Error. An error occurred within the SNP task in the CMM module in this PLC. This error may occur in either an SNP master or an SNP slave. The minor error code contains the specific error code. See table of Minor Error Codes below.
13	0Dh	Remote SNP Error. An error occurred within the SNP slave task in the CMM module in the remote PLC. The minor error code contains the specific error code. See table of Minor Error Codes below.
14	0Eh	Autodial Error. An error occurred while attempting to send a command string to an attached external modem. The minor error code contains the specific error code. See table of Minor Error Codes below.
15	0Fh	SNP-X slave error. An error occurred within the SNPX task in the remote slave device. The minor error code contains the specific error code. See the table of Minor Error Codes below.
19	13h	Port configurator error.
80	50h	Problem with sending mail to the slave Service Request task. (Series 90-70 PLC CPUs only).
81	51h	Problem with getting mail from the slave Service Request task. (Series 90-70 PLC CPUs only).
85	55h	Slave SNP task timed out before receiving an SRP response. (Series 90-70 PLC CPUs only).
86	56h	Slave SNP task could not find the requested datagram connection. (Series 90-70 PLC CPUs only).
87	57h	Slave SNP task encountered an error in trying to write the datagram. (Series 90-70 PLC CPUs only).
88	58h	Slave SNP task encountered an error in trying to update the datagram. (Series 90-70 PLC CPUs only).

SNP Minor Error Codes

The meaning of each Minor Error Code depends upon the Major Error Code for which it is defined. Consult the appropriate Minor Error Code table for the indicated Major Error Code.

Table 6-3. Minor Error Codes for Major Error Code 5

Error Status		Service Request Error Description
Decimal	Hexadecimal	
-1	FFh	Service request has been aborted.
-2	FEh	No privilege for attempted operation.
-3	FDh	Unable to perform auto configuration.
-4	FCh	I/O configuration is invalid.
-5	FBh	Cannot clear I/O configuration.
-6	FAh	Cannot replace I/O module.
-7	F9h	Task address out of range.
-8	F8h	Invalid task name referenced.
-9	F7h	Required to log in to a task for service.
-10	F6h	Invalid sweep state to set.
-11	F5h	Invalid password.
-12	F4h	Invalid input parameter in request.
-13	F3h	I/O configuration mismatch.
-14	F2h	Invalid program cannot log in.
-15	F1h	Request only valid from programmer.
-16	F0h	Request only valid in stop mode.
-17	EFh	Programmer is already attached.
-18	EEh	Could not return block sizes.
-19	EDh	VME bus error encountered.
-20	ECh	Task unable to be created.
-21	EBh	Task unable to be deleted.
-22	EAh	Not logged in to process service request.
-23	E9h	Memory Type selector not valid in context.
-24	E8h	No user memory is available to allocate.
-25	E7h	Configuration is not valid.
-26	E6h	CPU model number does not match.
-27	E5h	DOS file area not formatted.
-28	E4h	Memory Type for this selector does not exist.
-29	E3h	CPU revision number does not match.
-30	E2h	IOS could not delete configuration or bad type.
-31	E1h	No I/O configuration to read or delete.
-32	E0h	Service in process cannot login.
-33	DFh	Invalid datagram connection address.
-34	DEh	Size of datagram connection invalid.
-35	DDh	Unable to locate given datagram connection ID.
-36	DCh	Unable to find connection address.

Table 6-3. Minor Error Codes for Major Error Code 5 (Continued)

Error Status		Service Request Error Description
Decimal	Hexadecimal	
-37	DBh	Invalid Memory Type selector in datagram.
-38	DAh	Null pointer to data in Memory Type selector.
-39	D9h	Transfer type invalid for this Memory Type selector.
-40	D8h	Point length not allowed.
-41	D7h	Invalid datagram type specified.
-42	D6h	Total datagram connection memory exceeded.
-43	D5h	Invalid block name specified in datagram.
-44	D4h	Mismatch of configuration checksum.
-45	D3h	User Program Module (UPM) read or write exceeded block end.
-46	D2h	Invalid write mode parameter.
-47	D1h	Packet size or total program size does not match input.
-48	D0h	One or more PLC modules configured have unsupported revision.
-49	CFh	Specified device is not available in the system (not present).
-50	CEh	Specified device has insufficient memory to handle request.
-51	CDh	Attempt was made to read a device but no data has been stored on it.
-52	CCh	Data stored on device has been corrupted and is no longer reliable.
-53	CBh	A comm or write verify error occurred during save or restore.
-54	CAh	Device is write-protected.
-55	C9h	Login using non-zero buffer size required for block commands.
-56	C8h	Password(s) already enabled and cannot be forced inactive.
-57	C7h	Passwords are set to inactive and cannot be enabled or disabled.
-58	C6h	Control Program (CP) tasks exist but requestor not logged into main CP.
-59	C5h	No task-level Rack/Slot configuration to read or delete.
-60	C4h	Verify with FA Card or EEPROM failed.
-61	C3h	Text length does not match traffic type.
-62	C2h	The OEM key is NULL (inactive).
-63	C1h	Invalid block state transition.

Table 6-4. Minor Error Codes for Major Error Code 10 (0Ah)

Error Status		SNP DOS Driver Error Description
Decimal	Hexadecimal	
-110	92h	No SNP communication. Either communication has been lost or a communication session has not been established.
-111	91h	Bad SNP communication. Transmission was aborted after maximum retries due to serial errors (that is, parity, overrun, or framing errors).
-112	90h	Bad SNP BCC encountered. Transmission was aborted after maximum retries due to a bad Block Check Code.
-113	8Fh	Out-of-Sequence SNP message. SNP message type received was not the type expected.
-114	8Eh	PC Serial port configured for SNP Master driver is not open; no communication can take place.
-115	8Dh	Bad DOS Version. Must have DOS 2.0, or later, to support the SNP DOS Driver.

Note

Minor Error Codes 1-31 indicate non-fatal errors; SNP or SNP-X communication is not terminated.

Table 6-5. Minor Error Codes for Major Error Code 12 (0Ch)

Error Status		Local SNP/SNP-X Error Description
Decimal	Hexadecimal	
1	01h	WAIT-type COMMREQ is not permitted. Must use NOWAIT-type.
2	02h	COMMREQ command is not supported.
3	03h	SNP communication is not active. Must initiate a new SNP communication by sending an Attach or Long Attach COMMREQ.
4	04h	SNP slave did not respond to Attach message from master.
5	05h	Unable to write SNP Status Word to local PLC memory. May be due to invalid Status Word memory type or address.
6	06h	Master device memory type is not valid in this PLC.
7	07h	Master device memory address or length is zero.
8	08h	Unable to read or write master device memory locations specified in COMMREQ. Usually caused by invalid memory address for this PLC. SNP message exchange may have taken place.
9	09h	Master device memory data length exceeds maximum data size of CMM module (2048 bytes). Must use a smaller data length. Use multiple COMMREQs if total data length exceeds this maximum value.
10	0Ah	Slave device memory type is missing or not valid.
11	0Bh	Slave device memory address is missing or zero.
12	0Ch	COMMREQ Data Block Length is too small. (When expected COMMREQ length is 6 words or less, an improper length may cause other minor error codes 6-11.)
13	0Dh	Invalid Diagnostic Status Word (DSW) starting word or length.
14	0Eh	Invalid maximum SNP message data size. Must be an even value from 42 to 2048 bytes.
15	0Fh	Invalid Privilege Level. Must be 0 through 4 or -1.
16	10h	Invalid Fault Table selector. Must be 1 for I/O Fault Table or 2 for PLC Fault Table.
17	11h	Invalid Fault Table starting index. Must be 1-32 for I/O Fault Table or 1-16 for PLC Fault Table.
18	12h	Invalid fault count. Must be 1-32 for I/O Fault Table or 1-16 for PLC Fault Table.
19	13h	Invalid Set PLC Date/Time mode. Must be 1-4.
20	14h	Invalid Set PLC Date/Time date, time, or day-of-week value.
21	15h	Unable to retrieve master device PLC time/date from PLC CPU.
22	16h	Invalid slave PLC type. Must be 0 for Series 90-70 or 1 for Series 90-30 or Series 90-20.
23	17h	Invalid datagram type. Must be 01h for normal datagram or 81h (129) for permanent datagram.
24	18h	Missing or too many datagram point formats. Must be 1-32.
25	19h	Invalid datagram point format data.
26	1Ah	Datagram area size is too small to include data for all specified point formats.
27	1Bh	Invalid number of Control Program Names. Must be 1-8.

Table 6–5. Minor Error Codes for Major Error Code 12 (0Ch) (Continued)

Error Status		Local SNP/SNP-X Error Description
Decimal	Hexadecimal	
28	1Ch	SNP-X Request exceeds maximum data size (1000 bytes). Must use a smaller data length. Use multiple COMMREQs if necessary.
29	1Dh	Invalid SNP-X communication session type. Must be 0 for a single slave device, or 1 for multiple slave devices.
30	1Eh	Illegal destination SNP ID specified for SNP-X slave. Must be 0-7 ASCII characters, plus a terminating null character (00h). The Null SNP ID (eight bytes of 00h) may be used to specify any single device. The Broadcast SNP ID (eight bytes of FFh) may be used to specify <i>all</i> slave devices on the serial link.
31	1Fh	Destination SNP ID does not match SNP-X session type. The Broadcast SNP ID is not permitted in a single-slave SNP-X session. The Null SNP ID is not permitted in a multiple-slave SNP-X session.

Note

Minor Error Codes 32-118 indicate fatal errors; subsequent communication must be initiated with an Attach or Long Attach COMMREQ, or any remote SNP-X COMMREQ.

Table 6–5. Minor Error Codes for Major Error Code 12 (0Ch) (Continued)

Error Status		Local SNP/SNP-X Error Description
Decimal	Hexadecimal	
32	20h	Inactivity timeout (T3'). The SNP slave has not received any new SNP messages within the configured T3' time interval.
33	21h	A Parity error has occurred on an Attach, Attach Response, or Update Real-time Datagram message. Communications have not been established.
34	22h	A BCC (Block Check Code) error has occurred on an Attach, Attach Response, or Update Realtime Datagram message. Communications have not been established.
35	23h	A Framing or Overrun serial error has occurred on an Attach, Attach Response, or Update Realtime Datagram message. Communications have not been established.
36	24h	An invalid SNP message type was received when an Attach, Attach Response, or Update Realtime Datagram message was required. Communications have not been established.
37	25h	An invalid <i>next message length</i> value was specified in an Attach, Attach Response, or Update Realtime Datagram message. Communications have not been established.
38	26h	An unexpected SNP message type was received when an Attach, Attach Response, or Update Realtime Datagram was required. Communications have not been established.
39	27h	Another Break was received while SNP slave was waiting for an Attach or Update Realtime Datagram message.
40	28h	An SNP message has been sent and retried the maximum number of times. A maximum of two retries are permitted. A retry is caused by a NAK from from the remote SNP device.

Table 6–5. Minor Error Codes for Major Error Code 12 (0Ch) (Continued)

Error Status		Local SNP/SNP-X Error Description
Decimal	Hexadecimal	
41	29h	A received SNP message has been NAKed the maximum number of two times. The NAKed message may be retransmitted a maximum of two times.
42	2Ah	An unknown message was received when an acknowledge (ACK or NAK) was required.
43	2Bh	Sequence Error. An unexpected SNP message type was received.
44	2Ch	A received SNP message contains bad <i>next message length</i> value.
45	2Dh	Acknowledge timeout. An acknowledge (ACK or NAK) was not received within the configured T2 time interval. A slave device may generate this error if the master device has aborted after maximum response NAKs and does not NAK the next response retry.
46	2Eh	Response timeout. The SNP Master did not receive an SNP Response message within the configured T5' time interval.
47	2Fh	Buffer message timeout. An expected Text Buffer or Connection Data message was not received within the configured T5'' time interval.
48	30h	Serial output timeout. The CMM module was unable to transmit a Break, an SNP message, or SNP acknowledge (ACK or NAK) from the serial port. (May be due to missing CTS signal when the CMM module is configured to use hardware flow control.)
49	31h	SNP slave did not receive a response from the Service Request Processor in the PLC CPU.
50	32h	COMMREQ timeout. The COMMREQ did not complete within the configured time interval.
51	33h	An SNP Request or Response was aborted prior to completion due to reception of a Break.
52	34h	PLC backplane communications error.
53	35h	Invalid Piggyback Status data memory type or address. Communications have not been established.
54	36h	Invalid SNP Slave SNP ID. Must be a 0-7 ASCII characters, plus a terminating null character (00h). The Null SNP ID (eight bytes of 00h) may be used to specify any single slave device.
55	37h	The SNP master has received an response message containing an unexpected data length. Usually indicates a problem with the remote SNP slave device. May occur when Series 90-70 commands (Task Memory or Program Block Memory Read/Write) are issued to a Series 90-30 slave device.
56	38h	Response code in received SNP-X response message does not match expected value. (Response code must equal the request code +80h.)
57	39h	SNP-X Response message exceeds maximum data size (decimal 1000 bytes). Data in the Response is ignored.

Table 6–5. Minor Error Codes for Major Error Code 12 (0Ch) (Continued)

Error Status		Local SNP/SNP-X Error Description
Decimal	Hexadecimal	
64	40h	A parity error has occurred on an X-Attach Response message when establishing a new SNP-X communication session. Communications have not been established.
65	41h	A framing or overrun error has occurred on an X-Attach Response message when establishing a new SNP-X communication session. Communications have not been established.
66	42h	A BCC (Block Check Code) error has occurred on an X-Attach Response message when establishing a new SNP-X communication session. Communications have not been established.
67	43h	An invalid message type was received when an X-Attach Response was required when establishing a new SNP-X communication session. Communications have not been established.
68	44h	An invalid <i>next message type</i> value was detected in an X-Attach Response message when establishing a new SNP-X communication session. Communications have not been established.
69	45h	An invalid response code was detected in an X-Attach Response message when establishing a new SNP-X communication session. Communications have not been established.
70	46h	An expected X-Attach Response message was not received within the response timeout interval when establishing a new SNP-X communication session. The master has retried the X-Attach message twice without receiving a response. Communications have not been established.
80	50h	A parity error has occurred on an X-Attach Response message when reestablishing an existing SNP-X communication session. Communications have not been established.
81	51h	A framing or overrun error has occurred on an X-Attach Response message when reestablishing an existing SNP-X communication session. Communications have not been established.
82	52h	A BCC (Block Check Code) error has occurred on an X-Attach Response message when reestablishing an existing SNP-X communication session. Communications have not been established.
83	53h	An invalid message type was received when an X-Attach Response was required when reestablishing an existing SNP-X communication session. Communications have not been established.
84	54h	An invalid <i>next message type</i> value was detected in an X-Attach Response message when reestablishing an existing SNP-X communication session. Communications have not been established.
85	55h	An invalid response code was detected in an X-Attach Response message when reestablishing an existing SNP-X communication session. Communications have not been established.
86	56h	An expected X-Attach Response message was not received within the response timeout interval when reestablishing an existing SNP-X communication session. The master has retried the X-Attach message twice without receiving a response. Communications have not been established.

Table 6-5. Minor Error Codes for Major Error Code 12 (0Ch) (Continued)

Error Status		Local SNP/SNP-X Error Description
Decimal	Hexadecimal	
96	60h	A parity error has occurred on an X-Response message.
97	61h	A framing or overrun error has occurred on an X-Response message.
98	62h	A BCC (Block Check Code) error has occurred on an X-Response message.
99	63h	An invalid message type was received when an X-Response message was required.
100	64h	An invalid <i>next message type</i> value was detected in an X-Response message.
101	65h	An invalid response code was detected in an X-Response message.
102	66h	An expected X-Response message was not received within the response timeout interval.
112	70h	A parity error has occurred on an Intermediate Response message.
113	71h	A framing or overrun error has occurred on an Intermediate Response message.
114	72h	A BCC (Block Check Code) error has occurred on an Intermediate Response message.
115	73h	An invalid message type was received when an Intermediate Response message was required.
116	74h	An invalid <i>next message type</i> value was detected in an Intermediate Response message.
117	75h	An invalid response code was detected in an Intermediate Response message.
118	76h	An expected Intermediate Response message was not received within the response timeout interval.

Table 6-6. Minor Error Codes for Major Error Code 13 (0Dh)

Error Status		Remote SNP Error Description
Decimal	Hexadecimal	
64	40h	The requested service is not supported by the SNP slave.
65	41h	SNP slave on CMM module requires PLC CPU privilege level 2 to operate. The SNP slave has rejected a request to change to a higher or lower privilege level.
66	42h	SNP Request or Response message exceeds maximum data length of the CMM module. (Total data length for Mailbox and all following Buffer messages is 2048 bytes.) The master must use a smaller data length. Use multiple requests if total data length exceeds the maximum value.
67	43h	Improper Write Datagram message format. Series 90-70 slave devices use a different format for this message than Series 90-30 or Series 90-20 slave devices. The master must use the proper message format for this SNP slave device. (The SNP master in the CMM module sends this message as part of the Establish Datagram COMMREQ command. The datagram has been partially established, but is not usable; the datagram should be cancelled by using the Datagram ID returned by the COMMREQ.)
68	44	A datagram error occurred in a Series 90-70 slave device (dual-port error).

Table 6-7. Minor Error Codes for Major Error Code 14 (0Eh)

Error Status		Autodial Error Description
Decimal	Hexadecimal	
1	01h	Not used.
2	02h	The modem command string length exceeds 250 characters.
3	03h	COMMREQ Data Block Length is too small. Output command string data is missing or incomplete.
4	04h	Serial output timeout. The CMM module was unable to transmit the modem autodial output from the serial port. (May be due to missing CTS signal when the CMM is configured to use hardware flow control.)
5	05h	Response was not received from modem. Check modem and cable.
6	06h	Modem responded with <i>BUSY</i> . Modem is unable to complete the requested connection. The remote modem is already in use; retry the connection request at a later time.
7	07h	Modem responded with <i>NO CARRIER</i> . Modem is unable to complete the requested connection. Check the local and remote modems and the telephone line.
8	08h	Modem responded with <i>NO DIALTONE</i> . Modem is unable to complete the requested connection. Check the modem connections and the telephone line.
9	09h	Modem responded with <i>ERROR</i> . Modem is unable to complete the requested command. Check the modem command string and modem.
10	0Ah	Modem responded with <i>RING</i> , indicating that the modem is being called by another modem. Modem is unable to complete the requested command. Retry the modem command at a later time.
11	0Bh	An unknown response was received from the modem. Modem is unable to complete the requested command. Check the modem command string and modem. The modem response is expected to be either <i>CONNECT</i> or <i>OK</i> .

Note

Minor Error Codes 1-21 indicate non-fatal errors; the SNP-X communication session is not terminated.

Table 6-8. Minor Error Codes for Major Error Code 15 (0Fh)

Error Status		SNP-X Slave Error Description
Decimal	Hexadecimal	
1	01h	The service request code in an X-Request message is unsupported or invalid at this time. This error may occur if an SNP-X communication session has not been successfully established at the slave device.
2	02h	Insufficient privilege level in the slave PLC CPU for the requested SNP-X service. Password protection at PLC CPU may be preventing the requested service.
3	03h	Invalid slave memory type in X-Request message.
4	04h	Invalid slave memory address or range in X-Request message.
5	05h	Invalid data length in X-Request message. Data length must be non-zero and may not exceed decimal 1000 bytes.
6	06h	X-Buffer data length does not match the service request in X-Request message. The X-Buffer message length is obtained from the <i>Next Message Length</i> field in the X-Request message; the length of the data within the buffer message is always the message length minus 8 bytes.
7	07h	<i>Queue Full</i> indication from Service Request Processor in slave PLC CPU. The slave is temporarily unable to complete the service request; the master should try again later. It is recommended that the master wait at least 10 msec before repeating the X-Request. (This error applies to CMM module only.)
8	08h	Service Request Processor response exceeds 1000 bytes; the SNP-X slave device cannot return the data in an X-Response message. (This error applies to CMM module only.)
16	10h	Unexpected Service Request Processor error. (This error applies to CMM module only; the unexpected SRP error code is saved in the Diagnostic Status Words in the CMM module.)
21	15h	Requested service is not permitted in a Broadcast request. The master must direct the X-Request message to a specific SNP-X slave device.

Note

Minor Error Codes 32-35 indicate fatal errors; subsequent SNP-X communication must be initiated with an X-Attach message. The SNP-X slave device returns these error codes in an X-Response message.

Table 6-8. Minor Error Codes for Major Error Code 15 (0Fh) (Continued)

Error Status		SNP-X Slave Error Description
Decimal	Hexadecimal	
32	20h	Invalid <i>Message Type</i> field in a received X-Request message. The message type of an X-Request message must be 58h = 'X'.
33	21h	Invalid <i>Next Message Type</i> or <i>Next Message Length</i> field in a received X-Request message. If this request does not use a buffer (0-2 bytes of data), the Next Message Type must be zero. If this request will be followed with a buffer message (more than 2 bytes of data), the Next Message Type must be 54h = 'T', and the Next Message Length must specify the length of the X-Buffer message. Valid X-Buffer message lengths are 9-1008 bytes (data length plus 8 bytes).
34	22h	Invalid <i>Message Type</i> field in a received X-Buffer message. The message type of an X-Buffer message must be 54h = 'T'.
35	23h	Invalid <i>Next Message Type</i> field in a received X-Buffer message. Since an X-Buffer message is never followed by another message, the Next Message Type must always be zero.

Note

Minor Error Codes 64-115 indicate fatal errors; subsequent SNP-X communication must be initiated with an X-Attach message. The SNP-X slave device is unable to return an X-Response message; these error codes are available only in the Diagnostic Status Words maintained for each serial port on the CMM module.

Table 6–8. Minor Error Codes for Major Error Code 15 (0Fh) (Continued)

Error Status		SNP-X Slave Error Description
Decimal	Hexadecimal	
64	40h	Serial output timeout. The slave was unable to transmit an SNP-X message from the serial port. (May be due to missing CTS signal when the CMM module is configured to use hardware flow control.)
65	41h	An SNP-X request was aborted prior to completion due to reception of a Break.
66	42h	An X-Buffer message was received containing greater than 1000 bytes of data. The data is ignored.
67	43h	The SNP-X slave did not receive a response from the Service Request Processor in the PLC CPU.
68	44h	PLC backplane communications error.
80	50h	A parity error has occurred in a received X-Attach message.
81	51h	A framing or overrun error has occurred in a received X-Attach message.
82	52h	A BCC (Block Check Code) error has occurred in a received X-Attach message.
83	53h	An invalid Message Type was received when an X-Attach message was required. (For an X-Attach message, the message type must be 58h = 'T'.)
84	54h	An invalid <i>Next Message Type</i> value was detected in a received X-Attach message. (For an X-Attach message, the Next Message Length must be zero.)
85	55h	An invalid request code was detected in a received X-Attach message.
96	60h	A parity error has occurred in a received X-Request message.
97	61h	A framing or overrun error has occurred in a received X-Request message.
98	62h	A BCC (Block Check Code) error has occurred in a received X-Request message.
112	70h	A parity error has occurred in a received X-Buffer message.
113	71h	A framing or overrun error has occurred in a received X-Buffer message.
114	72h	A BCC (Block Check Code) error has occurred in a received X-Buffer message.
115	73h	An expected X-Buffer message was not received.

Table 6-9. Minor Error Codes for Major Error Code 19 (13h)

Error Status		Port Configurer Error Description
Decimal	Hexadecimal	
2	02h	Unsupported COMMREQ. These errors are only generated when there is no protocol currently being run on a port and the port receives a COMMREQ. (The port may be disabled or an error has occurred in processing a new configuration).
3	03h	Invalid COMMREQ length.
4	04h	Invalid COMMREQ status word location.
5	05h	Invalid COMMREQ data.

Section 3: *SNP COMMREQ Programming Example*

This section provides an explanation and example of each SNP command. Each example includes values for the Command Block. A ladder program example is also presented here for convenience.

Before attempting to execute the SNP command examples, make sure that the following steps have been performed:

- The CMM module has been installed in the desired PLC rack (see Chapter 2).
- The rack configuration has been performed and the desired communications parameters have been selected for the CMM module, using the Logicsmaster 90 configuration software or the Hand Held Programmer (see Chapter 2).
- The rack configuration has been verified and is valid.
- The rack configuration has been stored into the PLC (see Chapter 2). If using Logicsmaster 90, the configuration in the PLC has been verified equal to the Logicsmaster 90 configuration.
- The serial communications cable has been installed between the master and slave devices for operation of any remote commands. (See Chapter 8 for cable diagrams).
- The ladder application program below or a similar program has been written and stored into the PLC.

Note

In the examples below, the CMM module has been installed in and configured for Rack 0, Slot 2 with SNP operation on Port 1. If your configuration is different than this, you will need to change the COMMREQ fields for Rack/Slot (SYSID field) and /or Port Number (TASK field) to match your configuration.

Ladder Program Example

Use the following ladder program to become familiar with programming SNP commands and to verify that the system is connected and operating properly.

The ladder program example below initiates point-to-point SNP communication with any SNP slave device by issuing a single Attach command shortly after the ladder is started, and then repeatedly issues Read System Memory commands to the connected slave device.

To use other commands in the example ladder, simply substitute the example Command Block values provided for each command into the BLOCK MOVE instructions in Rung 6 or Rung 9 of the ladder. (Rung 6 prepares the initial Attach command; Rung 9 prepares the repeated command that follows the initial Attach.) The example ladder loads up to 8 words into the COMMREQ Data Block; add BLOCK MOVE instructions into the ladder if the desired command requires more data.

Ladder Program Example Operation

The first two rungs (**Rung 4** and **Rung 5**) provide a 2.0 second delay when the ladder is started. This allows more than enough time for the CMM module to initialize upon system powerup. When the startup delay is complete, one-shot %T0002 fires to load the Attach command.

Rung 6 loads the COMMREQ Command Block with an Attach command (07200) after the startup delay. This command uses a null Slave SNP ID, to permit communication with any slave device. (Piggyback Status reporting is not enabled.)

Rung 7 activates the COMMREQ to send the SNP command to the CMM module. The Command Block has been previously setup in registers %R0005 and up. The SNP Status Word in %R0001 is cleared; the SNP Status Word will be updated by the CMM when the command is complete.

Rung 8 monitors the SNP Status Word. When the SNP Status Word is changed to 0001 (denoting successful completion), one-shot %T0004 fires to load the repeating SNP command.

Rung 9 loads the COMMREQ Command Block with a Read System Memory command (07202) when the previous command is complete. This command reads register %R101 from the slave device into register %R102 in the master device.

In the ladder program example, the COMMREQ Ladder Instruction inputs are defined as follows:

- The IN input assigns Register %R00005 as the beginning of the Command Block.
- The SYSID input indicates that the command is for CMM module in rack 0, slot 2.
- The TASK input indicates that the command is for port 1 on the CMM module.

Make sure that the SYSID and TASK values match the system configuration and that the specified CMM port is properly configured for operation as an SNP master.


```

<< RUNG 8 STEP #0016 >>
ALW_ON +-----+
+--] [---+ EQ_ +-----+ %T0004
      |    | INT |-----+ (^)---
      |    |    |
%R0001 --+I1 Q++
      |
CONST --+I2
      +00001+-----+

<< RUNG 9 STEP #0019 >>

%T0004 +-----+
+---] [---+BLKMV+-----+ %T0005
      |    | INT |-----+ (^)---
      |    |    |
CONST --+IN1 Q+-%R0005  CONST --+IN1 Q+-%R0012
+00006 |          +00008
      |          |
CONST --+IN2          CONST --+IN2
+00000 |          +00101
      |          |
CONST --+IN3          CONST --+IN3
+00008 |          +00001
      |          |
CONST --+IN4          CONST --+IN4
+00000 |          +00008
      |          |
CONST --+IN5          CONST --+IN5
+00000 |          +00102
      |          |
CONST --+IN6          CONST --+IN6
+00000 |          +00000
      |          |
CONST --+IN7          CONST --+IN7
+07202 +-----+ +00000 +-----+

[      END OF PROGRAM LOGIC      ]

```

SNP Commands

The following table lists the SNP commands that can be initiated by a COMMREQ. Most can be issued only to a serial port configured as an SNP master. Remote commands provide communication between a master and slave. Unless otherwise indicated, the master may send any remote command to any Series 90 slave; certain remote commands are valid only when communicating with a Series 90-70 slave. Local commands are executed without communication to a remote device.

Note

The first COMMREQ issued to a CMM module after PLC powerup must be delayed; the CMM cannot accept COMMREQs when the PLC application is started. A delay of 2 seconds past first scan is recommended.

Table 6-10. SNP Commands

SNP Command	Command Number		Master	Slave
	Decimal	Hexadecimal		
Local Commands				
Clear Diagnostic Status Words	7000	(1B58)	X	X
Read Diagnostic Status Words	7001	(1B59)	X	X
Change SNP ID	7002	(1B5A)		X
Set X-Status Bits Address	7003	(1B5B)		X
Disable Break-Free SNP Slave Operation	7004	(1B5C)		X
Enable Break-Free SNP Slave Operation	7005	(1B5D)		X
Remote SNP-X Commands				
X-Read	7101	(1BBD)	X	
X-Write	7102	(1BBE)	X	
Remote SNP Commands				
Attach	7200	(1C20)	X	
Change Privilege Level	7201	(1C21)	X	
Read System Memory	7202	(1C22)	X	
Write System Memory	7203	(1C23)	X	
Read Task Memory	7204	(1C24)	to 90-70 only ¹	
Write Task Memory	7205	(1C25)	to 90-70 only ¹	
Read Program Block Memory	7206	(1C26)	to 90-70 only ¹	
Write Program Block Memory	7207	(1C27)	to 90-70 only ¹	
PLC Short Status	7208	(1C28)	X	
Return Control Program Name	7209	(1C29)	X	
Return Controller Type and ID	7210	(1C2A)	X	
Return PLC Time/Date	7211	(1C2B)	X	
Return Fault Table	7212	(1C2C)	X	
Set PLC Time/Date	7213	(1C2D)	X	
Toggle Force System Memory	7214	(1C2E)	X	
Establish Datagram	7215	(1C2F)	X	
Update Datagram	7216	(1C30)	X	
Cancel Datagram	7217	(1C31)	X	
Update Real-Time Datagram	7218	(1C32)	X	
Long Attach	7300	(1C84)	X	
Special Purpose Commands				
Autodial	7400	(1CE8)	X	

¹ This Command is valid only when communicating with a Series 90-70 slave device.

All SNP command examples in this section return the COMMREQ Status Word to Register %R00001.

Clear Diagnostic Status Words: 07000 (1B58)

Available Modes: Master and Slave

Description:

Local command. This command clears the SNP Diagnostic Status Words maintained within the module. A complete set of Diagnostic Status Words is maintained for each serial port of the module.

Example Command Block:

Clear the local Diagnostic Status Words in the module for the serial port specified by the TASK field of the issuing COMMREQ.

Note: The Diagnostic Status Words (see next page for a list of these words) are for reporting the applicable serial port's communications status and should not be confused with the COMMREQ Status Word (below, in Words 3 and 4) that reports on the status of the COMMREQ.

Word 1:	00001 (0001)	SNP Data Block Length
Word 2:	00000 (0000)	NOWAIT Mode
Word 3:	00008 (0008)	COMMREQ Status Word Memory Type (%R)
Word 4:	00000 (0000)	COMMREQ Status Word Address minus 1 (Register 1)
Word 5:	00000 (0000)	Not Used
Word 6:	00000 (0000)	Not Used
Word 7:	07000 (1B58)	SNP Command Number

Read Diagnostic Status Words: 07001 (1B59)

Available Modes: Master and Slave (CPU 351 and CPU 352 serial ports only support the Master mode).

Description:

Local command. This command returns the SNP Diagnostic Status Words maintained within the CMM module into the PLC memory area specified by the COMMREQ. A complete set of Diagnostic Status Words is maintained for each serial port of the CMM module.

Example Command Block:

Read all 20 local Diagnostic Status Words from the CMM and place them into Register Memory (%R), Registers 181-200. The desired serial port is specified by the TASK field of the issuing COMMREQ.

- Word 1: 00005 (0005) SNP Data Block Length
- Word 2: 00000 (0000) NOWAIT Mode
- Word 3: 00008 (0008) Status Word Memory Type (%R)
- Word 4: 00000 (0000) Status Word Address minus 1 (Register 1)
- Word 5: 00000 (0000) Not Used
- Word 6: 00000 (0000) Not Used
- Word 7: 07001 (1B59) SNP Command Number

- Word 8: 00001 (0001) First Diagnostic Status Word to read (DSW 1)
- Word 9: 00020 (0014) Number of Diagnostic Status Words to read (20 DSWs)
- Word 10: 00008 (0008) Memory Type to store Diagnostic Status Words (%R)
- Word 11: 00181 (00B5) Address to store Diagnostic Status Words (Register 181)

The *Memory Type and Address to store Diagnostic Status Words* fields must be selected to accommodate the requested number of Diagnostic Status Words. See Table 6-1, “Memory Types, Unit Lengths, and Valid Ranges,” for valid memory types and addresses.

SNP Diagnostic Status Words:

The following table specifies the contents of the SNP Diagnostic Status Words:

Table 6-11. SNP Diagnostic Status Words Definitions

Word Number	Contents
Word 1	Error SNP Status Word
Word 2	Number of Successful Requests/Responses
Word 3	Number of Error Requests
Word 4	Number of Aborts
Word 5	Number of Retries sent
Word 6	Number of NAKs sent
Word 7	Number of Break Sequences Received
Words 8-13	Reserved (00h)
Word 14	SNP Software Version Number
Words 15-20	First 6 words of error COMMREQ Data Block

Error SNP Status Word. This word indicates the major and minor error code values of the most recent COMMREQ error or internal SNP error. This word follows the format and contents of the SNP Status Word. (See Section 2, SNP Status Word, for complete details.)

Number of Successful Requests/Responses. This word indicates the number of successful COMMREQ completions or SNP responses. For a master device, this value indicates the number of successful COMMREQ completions; this value also includes any additional messages exchanged to keep the SNP communications alive. For a slave device, this value indicates the number of SNP responses successfully sent to the remote master; this value also includes any messages sent to keep the SNP communication alive, as well as successful local COMMREQ completions.

Number of Error Requests. This word indicates the number of COMMREQs that have failed at this SNP device. This value counts non-fatal errors only; the SNP communication is maintained. For an SNP slave device, this value also counts error responses returned to the master.

Number of Aborts. This word indicates the number of fatal errors at this SNP device; the SNP communication is terminated. An abort may occur at either a master or slave device. After an abort, the master device must establish new SNP communications. Aborts may be caused by failure to receive an expected message or acknowledgement, certain protocol errors, failure to read or write to the serial port, or a communication failure to the local PLC. Inactivity timeouts, which do terminate SNP communication, are not counted as aborts; an inactivity timeout occurs at the slave device when the slave receives no further messages from the master.

Number of Retries Sent. This word indicates the number of message retries performed by this SNP device. A master or slave device retries a message when the acknowledgement to that message indicates a recoverable transmission error. A maximum of two retries are permitted to any SNP message; if the message is still not correctly acknowledged, a fatal error occurs and the SNP communication is aborted. For SNP-X operation, this word indicates the number of X-Attach retries to establish the SNP-X session, as well as any repeated SNP-X request after a session has been reestablished.

Number of NAKs Sent. This word indicates the number of negative acknowledgements (NAKs) returned by this SNP device. A NAK is sent when an error (recoverable or fatal) is detected in a received SNP message. If the error is recoverable, a retry is expected; if the error is fatal, the SNP communication is aborted.

Number of Break Sequences Received. This word indicates the number of Break sequences received by this SNP device. Used by slave devices only. When a Break sequence is received, any existing SNP communication is aborted. The Break sequence immediately precedes each new SNP communication.

SNP Software Version Number. This word indicates the version number of the communication firmware in this CMM module. The version number consists of two hexadecimal numbers (high byte, low byte).

Error COMMREQ Data Block. These 6 words contain the first 6 words of the COMMREQ Data Block from the most recent COMMREQ failure. Used by both master and slave devices (slave devices perform local COMMREQ commands only). This data can help to identify the COMMREQ which has failed.

Change SNP ID: 07002 (1B5A)

Available Modes: Slave

Description:

Local command. The slave device in the CMM module defaults to the same SNP ID as the built-in slave device in the PLC CPU. This command changes the SNP ID of the CMM slave device to a specified value. Different SNP IDs are required to differentiate between multiple SNP slave devices in a multi-drop arrangement.

The SNP slave in the CMM module reverts to the default SNP ID (that is, the SNP ID of the PLC CPU) whenever the PLC is powered up or the CMM is manually restarted.

Example Command Block:

Change the SNP ID of the SNP slave device in the CMM module to *NEWIDI*.

Word 1:	00005 (0005)	SNP Data Block Length
Word 2:	00000 (0000)	NOWAIT Mode
Word 3:	00008 (0008)	Status Word Memory Type (%R)
Word 4:	00000 (0000)	Status Word Address minus 1 (Register 1)
Word 5:	00000 (0000)	Not Used
Word 6:	00000 (0000)	Not Used
Word 7:	07002 (1B5A)	SNP Command Number
Word 8:	17742 (454E)	Characters 1 and 2 of Slave SNP ID: N (4Eh), E (45h)
Word 9:	18775 (4957)	Characters 3 and 4 of Slave SNP ID: W (57h), I (49h)
Word 10:	12612 (3144)	Characters 5 and 6 of Slave SNP ID: D (44h), 1 (31h)
Word 11:	00000 (0000)	Characters 7 and 8 of Slave SNP ID: null, null

The *Slave SNP ID* field specifies the new SNP ID of this slave device. The SNP ID field is 8 bytes long. For the Series 90-30 and Series 90-70 PLCs, the SNP ID can be a maximum of 7 bytes followed by a null character (0) and can include any ASCII character. A null SNP ID (Character 1 = 0) is not permitted.

Set X-Status Bits Address: 07003 (1B5B)

Available Modes: Slave

Description:

Local Command. This command specifies the local PLC bit memory to be updated by the slave device during SNP-X operation. Three contiguous memory bits, called the X-Status Bits, indicate X-command activity by the slave device. The X-Status Bits may be examined at any time from the PLC ladder application. The CMM slave X-Status Bits are updated only when a valid PLC memory address has been defined via this command. (When an error occurs for this COMMREQ, the X-Status Bits address is undefined; X-Status Bits data will not be updated into the local PLC memory until this COMMREQ is successfully completed.)

The X-Status Bits used by the slave device on the CMM module are similar to the X-Status Bits defined in %S memory (%S17-%S19) for use by the slave device on the Series 90-20 and Series 90-30 PLC built-in serial port. (See the Note below.)

The X-Status Bits consist of three contiguous bits. The address of the lowest bit (X_ACTIVE) is specified in the COMMREQ Data Block; the remaining two X-Status Bits are always located at the two next higher memory locations. The X-Status Bits may be defined only in the %I, %Q, %T, or %M *bit-oriented* Memory Types.

The following example defines the X-Status Bits in Discrete Internal Memory (%M, bit mode), bits 101-103.

Word 1:	00003 (0003)	SNP Data Block Length
Word 2:	00000 (0000)	NOWAIT Mode
Word 3:	00008 (0008)	Status Word Memory Type (%R)
Word 4:	00000 (0000)	Status Word Address minus 1 (Register 1)
Word 5:	00000 (0000)	Not Used
Word 6:	00000 (0000)	Not Used
Word 7:	07003 (1B5B)	SNP-X Command Number
Word 8:	00076 (004C)	Slave Memory Type of X-Status Bits (%M, bit mode)
Word 9:	00101 (0065)	Slave Address of X-Status bits (%M101)

The *Slave Memory Type and Address of X-Status Bits* fields must be selected to allow enough room for the three X-Status Bits. Only the %I, %Q, %M, or %T *bit-oriented* memory types are permitted; see the Memory Type table, Table 6-1. If the X-Status Bits location is not specified (both the memory type and address values are 0), the X-Status Bits information is not written to the PLC.

The layout of the X-Status Bits is specified below:

(bit n+2)	(bit n+1)	(bit n)
X_WRITE	X_READ	X_ACTIVE

The X_ACTIVE bit indicates that an SNP-X communication session is active; this slave device is able to receive data transmission X-requests while this bit is set. This bit is set when a new SNP-X communication session is established; this bit is cleared whenever a Break is received, or a fatal error occurs.

The X_READ and X_WRITE bits indicate that a remote X-request has been successfully completed by this slave device. The appropriate bit is set after completion of each successful re-

mote read or write X-request. The PLC application ladder must detect the X_READ and X_WRITE bits in every sweep. Upon detection, each bit must be immediately cleared in order to correctly detect the next remote X-request completion.

Note

The X-Status Bits operate slightly differently for slave devices on CMM modules, the Series 90 CPU Serial Ports 1 and 2, and on the Series 90 CPU standard SNP serial port. For the Series 90 CPU standard SNP port, the X-Status Bits are located at predefined memory locations and are always updated after SNP-X slave operation. The X_READ and X_WRITE bits remain set for exactly one sweep and may not be cleared by the PLC ladder application.

Disable Break-Free SNP Slave Operation: 07004 (1B5C)

Available Modes: Slave

Description:

Local Command. This command **disables** the break-free SNP feature in Series 90-30 CPUs that support this feature (see Chapter 3 for feature support information). Break-independent operation improves serial communications using modems, as certain modems alter the timing of the break or interpret it as a modem command. Break-free SNP eliminates the requirement for a serial break at the start of each SNP and SNP-X session.

The following points should be considered when incorporating this COMM_REQ command into your control application:

- This command disables break-free operation and eliminates its impact on PLC sweep time.
- Break-free operation remains disabled until the next time the PLC is power-cycled or until command 7005 is executed.
- If a communication session is in progress when the command is executed, communication will continue, but detection of no-break Attach/X-Attach messages will stop immediately.
- This COMM_REQ command may be executed on the first PLC sweep (FST_SCN).

If the COMM_REQ status word location specified in words 3 and 4 of the command block is not a valid %R, %AI or %AQ reference, the fault output (FT) will be energized when the COMM_REQ attempts to execute. Otherwise, the status word is updated, based to indicate if the COMM_REQ was successful, as listed below:

0001	Command successful.
010Ch	WAIT-mode COMMREQ is not permitted; must use NOWAIT.
020Ch	Command not supported; the port is either not configured as an SNP slave or does not support break-free operation.

Sending this command when break-free SNP is already disabled has no effect; however, the COMMREQ status location will be set to 1, indicating success. Sending this command to a PLC CPU built-in serial port that does not support break-free SNP will set the fault output of the COMMREQ.

Note

Break-free SNP on built-in slave ports in PLC CPUs uses a small fraction of the CPU processing bandwidth. For most applications the impact on CPU performance is negligible. However, applications that use multi-drop SNP or SNP-X communication can incur noticeable increases in PLC sweep times because all slave units must examine every received message. If your application requires a very small or predictable sweep time and you have a multi-drop SNP network, you may need to disable break-free SNP on the port.

COMMREQ Parameters SYSID and Task are set based on the active CPU and Serial Port

SYSID: CPU311, CPU313, CPU323: 0000
CPU331– CPU364 : 0001
Task: Power Supply Port (all CPUs) 00031 (001F hex)
Port 1 (CPUs 351/352/363 only) 00019 (0013 hex)
Port 2 (CPUs 351/352/363 only) 00020 (0014 hex)

Example Command Block:

Word 1: 00001 (0001) SNP Data Block Length
Word 2: 00000 (0000) NOWAIT Mode
Word 3: 00008 (0008) Status Word Memory Type (%R)
Word 4: 00000 (0000) Status Word Address minus 1 (Register 1)
Word 5: 00000 (0000) Not Used
Word 6: 00000 (0000) Not Used
Word 7: 07004 (1B5C) SNP Command Number: Disable break-free SNP

Enable Break-Free SNP Slave Operation COMMREQ: 7005 (1B5D)

Available Modes: Slave

Description:

Local command. This command enables the break-free SNP feature in Series 90–30 CPUs that support this feature (see Chapter 3 for feature support information). See command 7004 for a discussion of break-free SNP.

Because break-free operation is enabled when the PLC is powered on, this command has no effect unless command 7004 was previously executed. If a communication session is in progress when this command is executed, communication will continue, and detection of no-break Attach/X-Attach messages will begin when the current session is ended by a link-idle time-out.

The COMMREQ that sends this command may be executed on the first PLC sweep.

If the COMM_REQ status word location specified in words 3 and 4 of the command block is not a valid %R, %AI or %AQ reference, power flow into the COMM_REQ function block will cause power flow to its fault (FT) output. Otherwise, the value one (1) is written to the status word when the command succeeds. When unsuccessful, one of these values is returned:

010Ch WAIT-mode COMMREQ is not permitted; must use NOWAIT.

020Ch Command not supported; the port is either not configured as an SNP slave or does not support break-free operation.

Sending this command when break-free SNP is already enabled has no effect; however, the COMMREQ status location will be set to 1, indicating success. Sending this command to a PLC CPU built-in serial port that does not support break-free SNP will set the fault output of the COMMREQ.

COMMREQ Parameters SYSID and Task are set based on the active CPU and Serial Port

SYSID: CPU311, CPU313, CPU323:	0000
CPU331– CPU364	: 0001
Task: Power Supply Port (all CPUs)	00031 (001F hex)
Port 1 (CPUs 351/352/363 only)	00019 (0013 hex)
Port 2 (CPUs 351/352/363 only)	00020 (0014 hex)

Example Command Block:

Word 1:	00001 (0001)	SNP Data Block Length
Word 2:	00000 (0000)	NOWAIT Mode
Word 3:	00008 (0008)	Status Word Memory Type (%R)
Word 4:	00000 (0000)	Status Word Address minus 1 (Register 1)
Word 5:	00000 (0000)	Not Used
Word 6:	00000 (0000)	Not Used
Word 7:	07005 (1B5D)	SNP Command Number: Enable break-free SNP

X-Read: 07101 (1BBD)

Available Modes: Master

Description:

Remote command. The master establishes a new SNP-X communication session with the slave device if the proper session is not already active. The master then sends an X-Read request to the slave device; the slave responds with data. This service is provided to permit quick read access to various reference tables within the slave PLC. This command reads enough data from the slave reference table to fill the specified number of elements in the master reference table. When the memory types of the slave and master reference tables differ, the data will be transferred from the slave reference table beginning with the least significant bit. The X-Read command may not use the broadcast SNP ID.

This X-command requires at least 11 words in the COMMREQ Data Block. From 2 to 6 additional words may be supplied containing optional parameters.

The following example establishes a direct single-session communication session to the slave device via the null SNP ID, then reads slave device Register Memory (%R), register 201, and deposits the 10 least significant bits into master device Input Memory (%I), Inputs 1-10. The PLC Status Word returned from the slave device is updated into master device Register Memory (%R), Register 32.

Word 1:	00017 (0011)	SNP Data Block Length
Word 2:	00000 (0000)	NOWAIT Mode
Word 3:	00008 (0008)	Status Word Memory Type (%R)
Word 4:	00000 (0000)	Status Word Address minus 1 (Register 1)
Word 5:	00000 (0000)	Not Used
Word 6:	00000 (0000)	Not Used
Word 7:	07101 (1BBD)	SNP-X Command Number
Word 8:	00000 (0000)	Characters 1 and 2 of Slave SNP ID: null, null
Word 9:	00000 (0000)	Characters 3 and 4 of Slave SNP ID: null, null
Word 10:	00000 (0000)	Characters 5 and 6 of Slave SNP ID: null, null
Word 11:	00000 (0000)	Characters 7 and 8 of Slave SNP ID: null, null
Word 12:	00000 (0000)	Communication Session type (0 = single-session; 1 = multi-session)
Word 13:	00008 (0008)	Slave Memory Type from which to read data (%R)
Word 14:	00201 (00C9)	Slave Address from which to read data (Register 201)
Word 15:	00010 (000A)	Number of Master Memory Type elements to read
Word 16:	00070 (0046)	Master Memory Type to store data (%I)
Word 17:	00001 (0001)	Master Address to store data (Input 1)
Word 18:	00008 (0008)	Master Memory Type to store Slave PLC Status Word (%R)
Word 19:	00032 (0020)	Master Address to store Slave PLC Status Word (Register 32)
Word 20:	00000 (0000)	Response Timeout (in msec; 0 = use default)
Word 21:	00000 (0000)	Broadcast Delay (in msec; 0 = use default)
Word 22:	00000 (0000)	Modem Turnaround Time (in msec)
Word 23:	00000 (0000)	Transmission Delay (in msec)

The *SNP ID* field specifies the slave device from which data will be retrieved. The null SNP ID (all bytes **00h**) may be used only when the single-session Communication Session type is selected. The broadcast SNP ID (all bytes **FFh**) may not be used by this command.

The *Communication Session type* field specifies whether the communication session is single-session or multi-session. The master uses this value, together with the SNP ID value, to determine whether the proper communication session is already active, or if a new session must be established prior to the actual data transfer. For single-session operation, the communication session is established with only the slave device specified by the SNP ID. For multi-session operation, the communication session is established with all slave devices on the serial link. In either case, once the proper communication session exists, the master sends the data transfer command to the slave specified by the SNP ID. When communicating with a single slave device, single-session provides the fastest performance. When communicating with multiple slave devices on a multidrop serial link, multi-session provides the fastest performance.

The *Number of Master Memory Type elements to read* field is specified in units consistent with the access mode of the Master Memory Type. A maximum of 1000 bytes of data may be transferred in one X-Read command; use multiple commands to transfer more data.

Note

The following command parameters are optional. The COMMREQ Data Block length (Word 1) must include all parameters in use.

The optional *Master Memory Type and Address to store Slave PLC Status Word* fields specify a location in the master PLC memory that is updated with the PLC Status Word from the slave device upon successful completion of this command. If both fields are not programmed, or are set to zero, the slave PLC Status Word is not updated into master PLC memory.

The optional *Response Timeout* field specifies a new value for the Response Timeout timer. This time is the maximum time that the master will wait for an X-response from the slave. The new value is specified in milliseconds and is in effect for this COMMREQ only. If not programmed or set to zero, the master uses the T2 timer value, as selected by the **Timeouts** configuration parameter.

The optional *Broadcast Delay* field specifies a new value for the Broadcast Delay timer. This time is the interval that the master must wait for all slave devices to establish an SNP-X communication session, or to process a broadcast X-command, since the slave devices do not return a response to any broadcast message. The new value is specified in milliseconds and is in effect for this COMMREQ only. If not programmed or set to zero, the master uses the T2 timer value, as selected by the **Timeouts** configuration parameter.

The optional *Modem Turnaround Time* field specifies a new Modem Turnaround Time value. This is the time interval required by a connected modem to turn the link around. The new value is specified in milliseconds and is in effect for this COMMREQ only. If not programmed, the master uses the value selected by the **Modem Turnaround Delay** configuration parameter.

The optional *Transmission Delay* field specifies a new Transmission Delay value. This time interval accounts for unusually long time delays in transmission between the master and slave devices. Such unusually long delays are typical of communications via satellite. The new value is specified in milliseconds and is in effect for this COMMREQ only. If not programmed, the master uses the value selected by the **Timeouts** configuration parameter.

X-Write: 07102 (1BBE)

Available Modes: Master

Description:

Remote command. The master establishes a new SNP-X communication session with the slave device if the proper session is not already active. The master then sends an X-Write request with data to the slave device. This service is provided to permit quick write access to various reference tables within the slave PLC. This command writes the specified number of elements from the master reference table into the slave reference table. When the memory types of the slave and master reference tables differ, the data will be padded with the value 0 as necessary. In multi-session operation, the broadcast SNP ID may be used to write data to all slave devices on the serial link.

This X-command requires at least 11 words in the COMMREQ Data Block. From 2 to 6 additional words may be supplied containing optional parameters.

The following example establishes a direct single-session communication session to the slave device via the null SNP ID, and then writes master device Input Memory (%I), Inputs 1-10, into slave device Register Memory (%R), register 201. The PLC Status Word returned from the slave device is updated into master device Register Memory (%R), Register 32.

Word 1:	00017 (0011)	SNP Data Block Length
Word 2:	00000 (0000)	NOWAIT Mode
Word 3:	00008 (0008)	Status Word Memory Type (%R)
Word 4:	00000 (0000)	Status Word Address minus 1 (Register 1)
Word 5:	00000 (0000)	Not Used
Word 6:	00000 (0000)	Not Used
Word 7:	07102 (1BBE)	SNP-X Command Number
Word 8:	00000 (0000)	Characters 1 and 2 of Slave SNP ID: null, null
Word 9:	00000 (0000)	Characters 3 and 4 of Slave SNP ID: null, null
Word 10:	00000 (0000)	Characters 5 and 6 of Slave SNP ID: null, null
Word 11:	00000 (0000)	Characters 7 and 8 of Slave SNP ID: null, null
Word 12:	00000 (0000)	Communication Session type (0 = single-session; 1 = multi-session)
Word 13:	00008 (0008)	Slave Memory Type to store data (%R)
Word 14:	00201 (00C9)	Slave Address to store data (Register 201)
Word 15:	00010 (000A)	Number of Master Memory Type elements to write
Word 16:	00070 (0046)	Master Memory Type from which to write data (%I)
Word 17:	00001 (0001)	Master Address from which to write data (Input 1)
Word 18:	00008 (0008)	Master Memory Type to store Slave PLC Status Word (%R)
Word 19:	00032 (0020)	Master Address to store Slave PLC Status Word (Register 32)
Word 20:	00000 (0000)	Response Timeout (in msec; 0 = use default)
Word 21:	00000 (0000)	Broadcast Delay (in msec; 0 = use default)
Word 22:	00000 (0000)	Modem Turnaround Time (in msec)
Word 23:	00000 (0000)	Transmission Delay (in msec)

The *SNP ID* field specifies the slave device(s) to which data will be written. The null SNP ID (all bytes **00h**) may be used only when the single-session Communication Session type is se-

lected. The broadcast SNP ID (all bytes **FFh**) may be used only when the multi-session Communication Session type is selected.

The *Communication Session type* field specifies whether the communication session is single-session or multi-session. The master uses this value, together with the SNP ID value, to determine whether the proper communication session is already active, or if a new session must be established prior to the actual data transfer. For single-session operation, the communication session is established with only the slave device specified by the SNP ID. For multi-session operation, the communication session is established with all slave devices on the serial link. In either case, once the proper communication session exists, the master sends the data transfer command to the slave specified by the SNP ID. When communicating with a single slave device, single-session provides the fastest performance. When communicating with many slave devices on a multidrop serial link, multi-session provides the fastest performance.

The *Number of Master Memory Type elements to write* field is specified in units consistent with the access mode of the Master Memory Type. A maximum of 1000 bytes of data may be transferred in one X-Write command; use multiple commands to transfer more data.

Note

Where data types do not match, zero fill will take place.

The remaining COMMREQ parameters are optional. The COMMREQ Data Block length (Word 1) must include all parameters in use.

The optional *Master Memory Type and Address to store Slave PLC Status Word* fields specify a location in the master PLC memory that is updated with the PLC Status Word from the slave device upon successful completion of this command. If both fields are not programmed, or are set to zero, the slave PLC Status Word is not updated into master PLC memory.

The optional *Response Timeout* field specifies a new value for the Response Timeout timer. This time is the maximum time that the master will wait for an X-response from the slave. The new value is specified in milliseconds and is in effect for this COMMREQ only. If not programmed or set to zero, the master uses the T2 timer value, as selected by the **Timeouts** configuration parameter.

The optional *Broadcast Delay* field specifies a new value for the Broadcast Delay timer. This time is the interval that the master must wait for all slave devices to establish an SNP-X communication session, or to process a broadcast X-command, since the slave devices do not return a response to any broadcast message. The new value is specified in milliseconds and is in effect for this COMMREQ only. If not programmed or set to zero, the master uses the T2 timer value, as selected by the **Timeouts** configuration parameter.

The optional *Modem Turnaround Time* field specifies a new Modem Turnaround Time value. This is the time interval required by a connected modem to turn the link around. The new value is specified in milliseconds and is in effect for this COMMREQ only. If not programmed, the master uses the value selected by the **Modem Turnaround Delay** configuration parameter.

The optional *Transmission Delay* field specifies a new Transmission Delay value. This time interval accounts for unusually long time delays in transmission between the master and slave devices. Such unusually long delays are typical of communications via satellite. The new value is specified in milliseconds and is in effect for this COMMREQ only. If not programmed, the master uses the value selected by the **Timeouts** configuration parameter.

Attach: 07200 (1C20)

Available Modes: Master

Description:

Remote command. The Attach command establishes a communication session with a slave device. The Attach command can be issued at any time. The master sends a Break sequence, followed by an Attach request; the specified slave responds with an Attach response. The Break sequence is initiated to all slave devices sharing the same communication link. The detection of the Break sequence by a slave device immediately aborts any communication session currently in process and places all slave devices into a state waiting for a valid Attach request. The master device waits the length of the T4 timer before sending the Attach request to the slave devices. Only the slave device with the matching SNP ID responds with an Attach response. The non-matching slaves return to a state waiting for a Break sequence. The master, upon receiving a valid Attach response, completes the COMMREQ with a successful status. No response or an invalid response completes the COMMREQ with an error status.

Having negotiated a successful Attach to a slave PLC, the master device is accorded the default privilege level at the slave device. For the built-in CPU port in a Series 90-70 PLC, the default slave privilege level is Level 0; Level 0 prevents any read or write of the PLC memory. For the standard SNP port in a Series 90-30 or Series 90-20 PLC, the default slave privilege level is Level 1; Level 1 permits read but not write of the PLC memory. For an SNP slave device on a CMM module in any Series 90 PLC, the slave privilege is always Level 2 and cannot be changed; Level 2 permits read and write of the PLC memory.

If the master device requires additional privileges, see the Change Privilege Level command for further information.

The Attach command also enables or disables Piggyback Status reporting for the duration of the SNP communication. When enabled, Piggyback Status data is updated after each successful command.

If a particular installation requires configuration parameter values different from those specified with the programming software or the Hand Held Programmer, the Long Attach command must be used. The Long Attach command adds some overhead to the communications process and should only be used if necessary. Examples of cases which may require the Long Attach include:

- Satellite communications
- Modem communications with setup times > 500ms
- Communications in high noise environments
- Specific error detection/recovery requirements

Example Command Block:

Attach to a slave device whose SNP ID is *SNPID1*. Enable Piggyback Status update on this and all following commands; store the 6 bytes of Piggyback Status data into master device Register Memory (%R), Registers 171-173.

Word 1:	00007 (0007)	SNP Data Block Length
Word 2:	00000 (0000)	NOWAIT Mode
Word 3:	00008 (0008)	Status Word Memory Type (%R)
Word 4:	00000 (0000)	Status Word Address minus 1 (Register 1)
Word 5:	00000 (0000)	Not Used
Word 6:	00000 (0000)	Not Used
Word 7:	07200 (1C20)	SNP Command Number
Word 8:	20051 (4E53)	Characters 1 and 2 of Slave SNP ID: S (53h), N (4Eh)
Word 9:	18768 (4950)	Characters 3 and 4 of Slave SNP ID: P (50h), I (49h)
Word 10:	12612 (3144)	Characters 5 and 6 of Slave SNP ID: D (44h), 1 (31h)
Word 11:	00000 (0000)	Characters 7 and 8 of Slave SNP ID: null, null
Word 12:	00008 (0008)	Master Memory Type to store Piggyback Status (%R)
Word 13:	00171 (00AB)	Master Address to store Piggyback Status (Register 171)

The *Slave SNP ID* field specifies the SNP ID of the desired slave device. The SNP ID field is 8 bytes long. For Series 90–30 and Series 90-70 PLCs, the SNP ID can be a maximum of 7 bytes followed by a null character (0) and can include any ASCII character.

A null SNP ID (Character 1 = 0) can be used to Attach to any slave SNP device regardless of its assigned SNP ID. It should be noted that a null SNP ID can *only* be successful in a point-to-point wiring configuration. In a multidrop wiring configuration, all SNP slave devices would respond to any Attach specifying a null SNP ID. This procedure will produce unpredictable results and should not be attempted.

The *Master Memory Type and Address for Piggyback Status* fields are optional. If the Piggyback Status memory type and address values are 0 (that is, a Piggyback area is not specified), the Piggyback Status information is ignored and is not provided to the PLC ladder application program. If a Piggyback Status location is specified, an area must be provided which can accommodate the 6 bytes of Piggyback Status information described below. The Piggyback Status information is returned with every SNP response message sent by the slave device. Once the Piggyback Status area is specified, the Piggyback Status information is written there as each successful SNP response message is received, for as long as the connection remains established. See Table 6–1 for valid memory types and addresses.

Piggyback Status:

The table below describes the Piggyback Status information:

Table 6-12. Piggyback Status Data

Piggyback Status Storage Area		Description
Word Location	Byte Location	
Word 1 (low byte)	Byte 1	Control Program Number
Word 1 (high byte)	Byte 2	Current Privilege Level
Word 2 (low byte)	Byte 3	Last sweep time
Word 2 (high byte)	Byte 4	Last sweep time
Word 3 (low byte)	Byte 5	Slave PLC Status Word
Word 3 (high byte)	Byte 6	Slave PLC Status Word

Control Program Number. This value represents the number of the control program task the SNP master is currently logged into. The valid values in today’s implementations are -1 and 0 as follows:

1	SNP master is not logged into a control program task.
0	SNP master is logged into control program task 0.

Privilege Level. Current privilege level of the SNP master device. Valid values are 0 through 4 for Series 90-70 PLCs, and 1 through 4 for Series 90-30 PLCs.

Last Sweep Time. This value is equal to the time taken by the last complete sweep for the main control program task. The value is in 100 microsecond increments and is measured from Start of Sweep (X-1) to Start of Sweep (X).

PLC Status Word. The bits in this word are defined in the following table, where bit 0 is the least significant bit, and bit 15 is the most significant bit.

Recalling the convention of byte ordering within a word, byte 5 is the least significant byte (containing bits 0 through 7) and byte 6 is the most significant byte (containing bits 8 through 15), as shown below:

Byte 6	Byte 5
Bits 15-8	Bits 7-0

The PLC Status Word bit assignments are described in the following table:

Table 6-13. Slave PLC Status Word Data

Bit Number	Description
Bit 0	Oversweep flag; meaningful only when constant sweep mode is active. 1 = Constant Sweep value exceeded. 0 = No oversweep condition exists.
Bit 1	Constant Sweep Mode. 1 = Constant Sweep Mode active. 0 = Constant Sweep Mode is not active.
Bit 2	PLC Fault Entry since last read. 1 = PLC fault table has changed since last read by this device. 0 = PLC fault table unchanged since last read.
Bit 3	I/O Fault Entry since last read. 1 = I/O fault table has changed since last read by this device. 0 = I/O fault table unchanged since last read.
Bit 4	PLC Fault Entry Present. 1 = One or more fault entries in PLC fault table. 0 = PLC fault table is empty.
Bit 5	I/O Fault Entry Present. 1 = One or more fault entries in I/O fault table. 0 = I/O fault table is empty.
Bit 6	Programmer attachment flag. 1 = Programmer attachment found. 0 = No programmer attachment found.
Bit 7	Front panel ENABLE/DISABLE switch setting. 1 = Outputs disabled. 0 = Outputs enabled.
Bit 8	Front panel RUN/STOP switch setting. 1 = RUN, 0 = STOP
Bit 9	OEM protected bit. 1 = OEM protection in effect. 0 = No OEM protection.
Bit 10	CP Changed
Bit 11	Not used.
Bits 12-15	PLC State: 0 = Run I/O enabled. 1 = Run I/O disabled. 2 = Stop I/O disabled. 3 = CPU stop faulted. 4 = CPU halted. 5 = CPU suspended. 6 = Stop I/O enabled.

Change Privilege Level: 07201 (1C21)

Available Modes: Master

Description:

Remote command. The slave device must be attached before executing this command; see Attach command. The master sends a Change Privilege Level request; the slave responds. This service provides the master with the capability of changing its access privilege level at the slave PLC if the proper password is provided. This command is only necessary if the master is not accorded sufficient privileges as a result of the Attach command.

Example Command Block:

Request privilege level change at attached slave device to level 2. The Slave device password is *PASSI*.

Word 1:	00006 (0006)	SNP Data Block Length
Word 2:	00000 (0000)	NOWAIT Mode
Word 3:	00008 (0008)	Status Word Memory Type (%R)
Word 4:	00000 (0000)	Status Word Address minus 1 (Register 1)
Word 5:	00000 (0000)	Not Used
Word 6:	00000 (0000)	Not Used
Word 7:	07201 (1C21)	SNP Command Number
Word 8:	00002 (0002)	Requested Privilege Level
Word 9:	16720 (4150)	Password (bytes 1 and 2): P (50h), A (41h)
Word 10:	21331 (5353)	Password (bytes 3 and 4): S (53h), S (53h)
Word 11:	00049 (0031)	Password (bytes 5 and 6): 1 (31h)
Word 12:	00000 (0000)	Password (bytes 7 and 8): null, null

The *Requested Privilege Level* field is a value between 0 and 4 for Series 90-70 PLCs, and between 1 and 4 for Series 90-30 or Series 90-20 PLCs. In addition, the privilege level can be set to a value of -1. When the value of -1 is specified, the highest privilege level with the provided password is accorded the requestor.

The *Password* field specifies the password required for access to the desired privilege level. If a password is not entered, set all bytes in this field to null (0).

Note

The CMM module requires privilege level 2 at the PLC CPU for correct operation. To avoid incompatibility with existing SNP master implementations, an SNP slave in the CMM module will accept any privilege level and password in a Change Privilege Level request; the CMM slave device will always remain at privilege level 2.

The following table describes the meaning of each privilege level:

Table 6-14. Description of PLC Privilege Levels

Level	Meaning
Level 4	Write to all configuration or logic. Configuration may only be written in STOP mode; logic may be written in STOP or RUN mode. Display, set, or delete passwords for any level.
Level 3	Write to any configuration or logic, including word-for-word changes, the addition/deletion of program logic, and the overriding discrete I/O.
Level 2	Write to any data memory, except overriding discrete I/O. The PLC can be started or stopped. PLC and I/O fault tables can be cleared.
Level 1	Read any data memory. Write to memory is prohibited. The PLC cannot be started or stopped.
Level 0	(Series 90-70 PLC only.) Read and Write of PLC system memory is prohibited.

The following table indicates the minimum privilege level required at the slave device to perform each request from the SNP master:

Table 6-15. Required PLC Privilege Levels

Service Request	Minimum Privilege Level	
	Series 90-20, Series 90-30, or Series 90 Micro PLCs	Series 90-70 PLC
Change Privilege Level	1	0
Read System Memory	1	1
Read Task Memory	n/a	1
Read Program Block Memory	n/a	1
Write System Memory	2	2
Write Task Memory	n/a	2
Write Program Block Memory	n/a	2
Toggle Force System Memory	2	2
Return Fault Table	1	1
Return Control Program Name	1	0
Return Controller Type and ID	1	1
Return PLC Time/Date	1	1
PLC Short Status	1	0
Set PLC Time/Date	2 ¹	2
Establish Datagram	1	1
Update Datagram	1	1
Cancel Datagram	1	1
Update Real-Time Datagram	1	0

¹ For Series 90-30 PLCs with Release 1.x CPU firmware, privilege level 3 is required.

Read System Memory: 07202 (1C22)

Available Modes: Master

Description:

Remote command. The slave device must be attached before executing this command; see Attach command. The master sends a Read request; the slave responds with the data. This service is provided to permit the access to various reference tables within the slave PLC. (See Table 6–1 for the slave memory types supported.) This command reads enough data from the slave reference table to fill the specified number of elements in the master reference table. When the access modes of the slave and master reference tables differ, the data will be transferred from the slave reference table beginning with the least significant bit.

Example Command Block:

Read attached slave device Register Memory (%R), Register 1, and place the 10 least significant bits into master device Input Memory (%I), Inputs 1-10.

Word 1:	00006 (0006)	SNP Data Block Length
Word 2:	00000 (0000)	NOWAIT Mode
Word 3:	00008 (0008)	Status Word Memory Type (%R)
Word 4:	00000 (0000)	Status Word Address minus 1(Register 1)
Word 5:	00000 (0000)	Not Used
Word 6:	00000 (0000)	Not Used
Word 7:	07202 (1C22)	SNP Command Number
Word 8:	00008 (0008)	Slave Memory Type from which to read data (%R)
Word 9:	00001 (0001)	Slave Memory Address from which to read data (Register 1)
Word 10:	00010 (000A)	Number of Master Memory Type elements to read
Word 11:	00070 (0046)	Master Memory Type to store data (%I)
Word 12:	00001 (0001)	Master Address to store data (Input 1)

The *Number of Master Memory Type elements to read* field is specified in units consistent with the unit length of the Master's Memory Type. See Table 6–1 for valid memory types and addresses.

Note

The SNP master on the CMM module, and CPU 351, CPU 352, and CPU363 serial ports limit this command to a total data length of 2048 bytes (1024 words).

Write System Memory: 07203 (1C23)

Available Modes: Master

Description:

Remote command. The slave device must be attached before executing this command; see Attach command. The master sends a Write request with data; the slave responds. This service is provided to permit the access to various reference tables within the slave PLC. (See Table 6–1 for the slave memory types supported.) This command transfers the specified number of elements from the master reference table into the slave reference table. When the memory types of the slave and master reference tables differ, the slave reference table will be padded with the value 0 as necessary.

Example Command Block:

Write to the attached slave device Register Memory (%R), Register 201, from master device Input Memory (%I), Inputs 1-10. (The least significant 10 bits of %R201 in the slave device are filled with data from the master device; the remaining bits of %R201 in the slave device are set to 0.)

Word 1:	00006 (0006)	SNP Data Block Length
Word 2:	00000 (0000)	NOWAIT Mode
Word 3:	00008 (0008)	Status Word Memory Type (%R)
Word 4:	00000 (0000)	Status Word Address minus 1 (Register 1)
Word 5:	00000 (0000)	Not Used
Word 6:	00000 (0000)	Not Used
Word 7:	07203 (1C23)	SNP Command Number
Word 8:	00008 (0008)	Slave Memory Type to store data (%R)
Word 9:	00201 (00C9)	Slave Address to store data (Register 201)
Word 10:	00010 (000A)	Number of Master Memory Type elements to write
Word 11:	00070 (0046)	Master Memory Type from which to write data (%I)
Word 12:	00001 (0001)	Master Address from which to write data (Input 1)

The *Number of Master Memory Type elements to write* field is specified in units consistent with the unit length of the Master Memory Type. See Table 6–1 for valid memory types and addresses.

Note

The SNP master on the CMM module, and CPU 351 and CPU 352 serial ports limit this command to a total data length of 2048 bytes (1024 words).

Note

When master and slave memory types do not match, zero fill will take place.

Read Task Memory: 07204 (1C24)

Available Modes: Master (for communication with Series 90-70 slave device only)

Description:

Remote command. The slave device must be attached before executing this command; see Attach command. The master sends a Read request; the slave responds with the data. This service provides the master with the capability to read the Main Data segment (%P reference table) of the slave's main control program task. Only a Series 90-70 PLC slave device supports this service; a Series 90-20 or Series 90-30 slave device will produce unpredictable results.

Example Command Block:

Read attached slave device Main Control Program Task Memory (%P), Word 1, and store in master device Input Memory (%I), Inputs 1-10. Slave device Main Program name = *_MAIN*. Words 12-15 contain the Main Program name of the slave device.

Word 1:	00009 (0009)	SNP Data Block Length
Word 2:	00000 (0000)	NOWAIT Mode
Word 3:	00008 (0008)	Status Word Memory Type (%R)
Word 4:	00000 (0000)	Status Word Address minus 1 (Register 1)
Word 5:	00000 (0000)	Not Used
Word 6:	00000 (0000)	Not Used
Word 7:	07204 (1C24)	SNP Command Number
Word 8:	00001 (0001)	Slave Task Memory Address (%P1)
Word 9:	00010 (000A)	Number of Master Memory Type elements to read
Word 10:	00070 (0046)	Master Memory Type to store data (%I)
Word 11:	00001 (0001)	Master Address to store data (Input 1)
Word 12:	16717 (414D)	Characters 1 and 2: M (4Dh), A (41h)
Word 13:	20041 (4E49)	Characters 3 and 4: I (49h), N (4Eh)
Word 14:	00049 (0031)	Characters 5 and 6: 1 (31h), null
Word 15:	00000 (0000)	Characters 7 and 8: null, null

The *Number of Master Memory Type elements to read* field is specified in units consistent with the unit length of the Master Memory Type. See Table 6-1 for valid memory types and addresses.

Note

The SNP master on the CMM module, and CPU 351 and CPU 352 serial ports limit this command to a total data length of 2048 bytes (1024 words).

Write Task Memory: 07205 (1C25)

Available Modes: Master (for communication with Series 90-70 slave device only)

Description:

Remote command. The slave device must be attached before executing this command; see Attach command. The master sends a Write request with data; the slave responds. This service provides the master with the capability to write the Main Data segment (%P reference table) of the slave's main control program task. When the memory type of the master reference table does not specify word access, the slave data will be padded with the value 0 as necessary. Only a Series 90-70 PLC slave device supports this service; a Series 90-20 or Series 90-30 slave device will produce unpredictable results.

Example Command Block:

Write to the attached slave device Main Control Program Task Memory (%P), Word 1, from master device Input Memory (%I), Inputs 1-10. Slave device Main Program name = *_MAIN*. Words 12-15 contain the Main Program name of the slave device.

Word 1:	00009 (0009)	SNP Data Block Length
Word 2:	00000 (0000)	NOWAIT Mode
Word 3:	00008 (0008)	Status Word Memory Type (%R)
Word 4:	00000 (0000)	Status Word Address minus 1 (Register 1)
Word 5:	00000 (0000)	Not Used
Word 6:	00000 (0000)	Not Used
Word 7:	07205 (1C25)	SNP Command Number
Word 8:	00001 (0001)	Slave Task Memory Address (%P1)
Word 9:	00010 (000A)	Number of Master Memory Type elements to write
Word 10:	00070 (0046)	Master Memory Type to write data from(%I)
Word 11:	00001 (0001)	Master Address to write data from (Input 1)
Word 12:	16717 (414D)	Characters 1 and 2: M (4Dh), A (41h)
Word 13:	20041 (4E49)	Characters 3 and 4: I (49h), N (4Eh)
Word 14:	00049 (0031)	Characters 5 and 6: 1 (31h), null
Word 15:	00000 (0000)	Characters 7 and 8: null, null

The *Number of Master Memory Type elements to write* field is specified in units consistent with the unit length of the Master Memory Type. See Table 6–1 for valid memory types and addresses.

Note

The SNP master on the CMM module, and CPU 351 and CPU 352 serial ports limit this command to a total data length of 2048 bytes (1024 words).

Read Program Block Memory: 07206 (1C26)

Available Modes: Master (for communication with Series 90-70 slave device only)

Description:

Remote command. The slave device must be attached before executing this command; see Attach command. The master sends a Read request; the slave responds with the data. This service provides the master with the capability to read the Local Subblock Data segment (%L reference table) of a specified Program Block in the slave. Only a Series 90-70 PLC slave device supports this service; a Series 90-20 or Series 90-30 slave device will produce unpredictable results.

Example Command Block:

Read attached slave device Program Block Memory (%L), Words 1-10, and store to master device Register Memory (%R), Registers 201-210. Slave device Main Program name = *_MAIN*; slave device Program Block name = *PBLOCK1*. Words 12-15 contain the slave device Main Program name; words 16-19 contain the slave device Program Block name.

Word 1:	00013 (000D)	SNP Data Block Length
Word 2:	00000 (0000)	NOWAIT Mode
Word 3:	00008 (0008)	Status Word Memory Type (%R)
Word 4:	00000 (0000)	Status Word Address minus 1 (Register 1)
Word 5:	00000 (0000)	Not Used
Word 6:	00000 (0000)	Not Used
Word 7:	07206 (1C26)	SNP Command Number
Word 8:	00001 (0001)	Slave Program Block Address (%L1)
Word 9:	00010 (000A)	Number of Master Memory Type elements to read
Word 10:	00008 (0008)	Master Memory Type to store data (%R)
Word 11:	00201 (00C9)	Master Address to store data (Register 201)
Word 12:	16717 (414D)	Characters 1 and 2: M (4Dh), A (41h)
Word 13:	20041 (4E49)	Characters 3 and 4: I (49h), N (4Eh)
Word 14:	00049 (0031)	Characters 5 and 6: 1 (31h), null
Word 15:	00000 (0000)	Characters 7 and 8: null, null
Word 16:	16976 (4250)	Characters 1 and 2: P (50h), B (42h)
Word 17:	20300 (4F4C)	Characters 3 and 4: L (4Ch), O (4Fh)
Word 18:	19267 (4B43)	Characters 5 and 6: C (43h), K (4Bh)
Word 19:	00049 (0031)	Characters 7 and 8: 1 (31h), null

The *Number of Master Memory Type elements to read* field is specified in units consistent with the unit length of the Master Memory Type. See Table 6-1 for valid memory types and addresses.

Note

The SNP master on the CMM module, and CPU 351 and CPU 352 serial ports limit this command to a total data length of 2048 bytes (1024 words).

Write Program Block Memory: 07207 (1C27)

Available Modes: Master (for communication with Series 90-70 slave device only)

Description:

Remote command. The slave device must be attached before executing this command; see Attach command. The master sends a Write request with data; the slave responds. This service provides the master with the capability to write the Local Subblock Data segment (%L reference table) of a specified Program Block in the slave. When the memory type of the master reference table does not specify word access, the slave data will be padded with the value 0 as necessary. Only a Series 90-70 PLC slave device supports this service; a Series 90-20 or Series 90-30 slave device will produce unpredictable results.

Example Command Block:

Write to the attached slave device Program Block Memory (%L), Words 1-10, from master device Register Memory (%R), Registers 201-210. Slave device Main Program name = *_MAIN*; slave device Program Block name = *PBLOCK1*. Words 12-15 contain the slave device Main Program name; words 16-19 contain the slave device Program Block name.

Word 1:	00013 (000D)	SNP Data Block Length
Word 2:	00000 (0000)	NOWAIT Mode
Word 3:	00008 (0008)	Status Word Memory Type (%R)
Word 4:	00000 (0000)	Status Word Address minus 1 (Register 1)
Word 5:	00000 (0000)	Not Used
Word 6:	00000 (0000)	Not Used
Word 7:	07207 (1C27)	SNP Command Number
Word 8:	00001 (0001)	Slave Program Block Memory Address (%L1)
Word 9:	00010 (000A)	Number of Master elements to write
Word 10:	00008 (0008)	Master Memory Type to write data from (%R)
Word 11:	00201 (00C9)	Master Address to write data from (Register 201)
Word 12:	16717 (414D)	Characters 1 and 2: M (4Dh), A (41h)
Word 13:	20041 (4E49)	Characters 3 and 4: I (49h), N (4Eh)
Word 14:	00049 (0031)	Characters 5 and 6: 1 (31h), null
Word 15:	00000 (0000)	Characters 7 and 8: null, null
Word 16:	16976 (4250)	Characters 1 and 2: P (50h), B (42h)
Word 17:	20300 (4F4C)	Characters 3 and 4: L (4Ch), O (4Fh)
Word 18:	19267 (4B43)	Characters 5 and 6: C (43h), K (4Bh)
Word 19:	00049 (0031)	Characters 7 and 8: 1 (31h), null

The *Number of Master Memory Type elements to write* field is specified in units consistent with the Unit Length of the Master Memory Type. See Table 6–1 for valid memory types and addresses.

Note

The SNP master on the CMM module, and CPU 351 and CPU 352 serial ports limit this command to a total data length of 2048 bytes (1024 words).

PLC Short Status: 07208 (1C28)

Available Modes: Master

Description:

Remote command. The slave device must be attached before executing this command; see Attach command. The master sends a PLC Short Status request; the slave responds with data. This service provides the master with the capability to read the status of the slave PLC.

Example Command Block:

Read the attached slave device short status and store in master device Register Memory (%R), Register 201.

Word 1:	00003 (0003)	SNP Data Block Length
Word 2:	00000 (0000)	NOWAIT Mode
Word 3:	00008 (0008)	Status Word Memory Type (%R)
Word 4:	00000 (0000)	Status Word Address minus 1 (Register 1)
Word 5:	00000 (0000)	Not Used
Word 6:	00000 (0000)	Not Used
Word 7:	07208 (1C28)	SNP Command Number
Word 8:	00008 (0008)	Master Memory Type to store Status (%R)
Word 9:	00201 (00C9)	Master Address to store Status (Register 201)

The *Master Memory Type and Address* fields must be selected to allow enough room to accommodate the 12 bytes of short status information returned from the slave PLC. The following table describes most of the PLC Short Status information. The short status information includes the 6 bytes of Piggyback Status information carried on each response from the slave device. See Table 6–1 for valid memory types and addresses. See Table 6–13 for a detailed description of the Slave PLC Status Word.

The table below includes information on the PLC Short Status:

Table 6-16. PLC Short Status

Status Storage Area		Description	
Word Location	Byte Location		
Word 1	(low byte)	Byte 1	Number of Control Programs. 0 = No program tasks currently defined. 1 = One program task defined for the PLC CPU.
	(high byte)	Byte 2	Programmer Flags. Set of boolean flags indicating which control program tasks have programmers currently attached to them. Each bit position corresponds to a control program task (0 = no programmer attached; 1 = programmer attached), where bit 0 corresponds to control program 0. Since at most one control program is currently allowed, this byte is either zero or one.
Word 2	(low byte)	Byte 3	Login Types. 2-bit codes indicating the type of login associated with each control program. The 2-bit field beginning at bit 0 corresponds to control program 0. Since there can be at most one control program in the current implementation, only bit 0 and bit 1 have meaning. The codes below are for Series 90-70 PLCs Only. 03h = Parallel Work Station Interface (WSI) attached 02h = Serial device attached at PLC CPU 01h = Non-dedicated programmer attached 00h = No programmer attached.
	(high byte)	Byte 4	
Word 3	(low byte)	Byte 5	Auxiliary Status. Only the highest bit is defined, and only for the Series 90-70. Bit 7 indicates Programmer window status: 0 = Programmer window closed 1 = Programmer window open
	(high byte)	Byte 6	Not used (00h)
Word 4	(low byte)	Byte 7	Control Program Number
	(high byte)	Byte 8	Current Privilege Level
Word 5	(low byte)	Byte 9	Last sweep time (in 0.1 msec units)
	(high byte)	Byte 10	Last sweep time (in 0.1 msec units)
Word 6	(low byte)	Byte 11	PLC Status Word (bits 0-7)
	(high byte)	Byte 12	PLC Status Word (bits 8-15)

Return Control Program Name: 07209 (1C29)

Available Modes: Master

Description:

Remote command. The slave device must be attached before executing this command; see Attach command. The master sends a Return Control Program Name request; the slave responds with data.

Example Command Block:

Read the Control Program name from the attached slave device and store in master Register Memory (%R), Registers 201-205.

Word 1:	00004 (0004)	SNP Data Block Length
Word 2:	00000 (0000)	NOWAIT Mode
Word 3:	00008 (0008)	Status Word Memory Type (%R)
Word 4:	00000 (0000)	Status Word Address minus 1 (Register 1)
Word 5:	00000 (0000)	Not Used
Word 6:	00000 (0000)	Not Used
Word 7:	07209 (1C29)	SNP Command Number
Word 8:	00008 (0008)	Master Memory Type to store Control Program data (%R)
Word 9:	00201 (00C9)	Master Address to store Control Program data (Register 201)
Word 10:	00001 (0001)	Number of Control Program Names to retrieve (always set to 1)

The *Master Memory Type and Address* fields must be selected to allow enough room to accommodate the data returned in the *Control Program Area*. See Table 6–1, “Memory Types, Unit Lengths, and Valid Ranges,” for valid memory types and addresses.

The *Number of Control Program Names* field should always be set to one. When this field is set to one, the size of the *Control Program area* is equal to five words.

The following table describes the format of the Control Program Area returned by the Return Control Program command:

Table 6-17. Control Program Area

Control Program Area	Description
Word 1	Number of Control Programs
Word 2	Characters 1 and 2 of Control Program Name 1
Word 3	Characters 3 and 4 of Control Program Name 1
Word 4	Characters 5 and 6 of Control Program Name 1
Word 5	Characters 7 and 8 of Control Program Name 1

The *Number of Control Programs* field should always be set to one.

The *Control Program Name* words contain the ASCII name (limited to eight characters) of the control program.

Return Controller Type and ID Information: 07210 (1C2A)

Available Modes: Master

Description:

Remote command. The slave device must be attached before executing this command; see Attach command. The master sends a Return Controller Type and ID request; the slave responds with data. This service provides the master with the capability to retrieve the SNP ID, PLC Controller Type, number of control programs, program name, etc., from the slave device PLC CPU.

Example Command Block:

Read the attached slave device Controller Type and ID information and store in master device Register Memory (%R), Registers (201-220).

Word 1:	00003 (0003)	SNP Data Block Length
Word 2:	00000 (0000)	NOWAIT Mode
Word 3:	00008 (0008)	Status Word Memory Type (%R)
Word 4:	00000 (0000)	Status Word Address minus 1 (Register 1)
Word 5:	00000 (0000)	Not Used
Word 6:	00000 (0000)	Not Used
Word 7:	07210 (1C2A)	SNP Command Number
Word 8:	00008 (0008)	Master Memory Type to store Control Information (%R)
Word 9:	00201 (00C9)	Master Address to store Control Information (Register 201)

The *Master Memory Type and Address* fields must be selected to allow enough room to accommodate the 40-byte Control Information Area. See Table 6-1, “Memory Types, Unit Lengths, and Valid Ranges,” for valid memory types and addresses.

The following table describes the format of the Control Information Area returned by the Return Controller Type and ID command:

Control Information Area	Description
Word 1	Characters 1 and 2 of SNP ID of PLC CPU
Word 2	Characters 3 and 4 of SNP ID of PLC CPU
Word 3	Characters 5 and 6 of SNP ID of PLC CPU
Word 4	Characters 7 and 8 of SNP ID of PLC CPU
Word 5	Series 90 PLC Major/Minor Type (High byte/Low byte)
Word 6	Number of Control Programs (Low byte only)
Word 7	Characters 1 and 2 of Main Control Program Name
Word 8	Characters 3 and 4 of Main Control Program Name
Word 9	Characters 5 and 6 of Main Control Program Name
Word 10	Characters 7 and 8 of Main Control Program Name
Word 11	Number of Control Program Blocks
Word 12	Total Length of Program Blocks (LSW)
Word 13	Total Length of Program Blocks (MSW)
Word 14	Sum of Program Block Additive Checksums
Word 15	Sum of Program Block CRC Checksums (LSW)
Word 16	Sum of Program Block CRC Checksums (MSW)
Word 17	Length of Configuration Records
Word 18	Sum of Configuration Records Additive Checksums
Word 19	Sum of Configuration Records CRC Checksums (LSW)
Word 20	Sum of Configuration Records CRC Checksums (MSW)

PCL CPU Major Type Codes

- Series 90-70 PLC CPUs: 12 (0Ch)
- Series 90-20 and Series 90-30 PLC CPUs: 16 (10h)

PLC CPU Minor Type Codes

- Series 90-20 PLC CPU211: 31 (1Fh)

Minor Type Codes for Series 90-30 CPUs		
35 (23h) for CPU331	44 (2Ch) for CPU350	40 (28h) for CPU360
38 (26h) for CPU340	37 (25h) for CPU351	41 (29h) for CPU363
36 (24h) for CPU341	39 (27h) for CPU352	42 (2Ah) for CPU364

Minor Type Codes for Series 90-70 CPUs		
84 (54h) for CFR782	80 (50h) for CPU780	24 (18h) for CPU924
29 (1Dh) for CFR928	81 (51h) for CPU781	25 (19h) for CPU925
74 (4Ah) for CGR772	82 (52h) for CPU782	73 (49h) for CPX772
36 (24h) for CGR935	88 (58h) for CPU788	83 (53h) for CPX782
31 (1Fh) for CPU731	89 (59h) for CPU789	28 (1Ch) for CPX928
32 (20h) for CPU732	90 (5Ah) for CPU790	35 (23h) for CPX935
71 (47h) for CPU771	92 (5Ch) for CPU914	
72 (48h) for CPU772	15 (0Fh) for CPU915	

Return PLC Time/Date: 07211 (1C2B)

Available Modes: Master

Description:

Remote command. The slave device must be attached before executing this command; see Attach command. The master sends a Return PLC Time/Date request; the slave responds with data. This service provides the master with the capability to retrieve the current time and date from the slave device. The Series 90-70 PLC and Series 90-30 PLC Models 331, 340, 341, 351, and 352 support time, date, and day of week. The Series 90-30 PLC Models 311, 313, 323 and Series 90-20 PLC do not support time, date, or day of week. Unsupported return values are meaningless and should not be used.

Example Command Block:

Read attached slave device PLC Time/Date and store in master device Register Memory (%R), Registers 201-204.

Word 1:	00003 (0003)	SNP Data Block Length
Word 2:	00000 (0000)	NOWAIT Mode
Word 3:	00008 (0008)	Status Word Memory Type (%R)
Word 4:	00000 (0000)	Status Word Address minus 1 (Register 1)
Word 5:	00000 (0000)	Not Used
Word 6:	00000 (0000)	Not Used
Word 7:	07211 (1C2B)	Command Number
Word 8:	00008 (0008)	Master Memory Type to store PLC Time/Date (%R)
Word 9:	00201 (00C9)	Master Address to store PLC Time/Date (Register 201)

The *Master Memory Type and Address* fields must be selected to allow enough room to accommodate the 8 bytes of data necessary to represent the PLC Time/Date returned from the slave PLC. See Table 6–1 for valid memory types and addresses. All data are returned in a packed BCD format. The *Day of Week* field indicates the day of the week, where Sunday = 1 and Saturday = 7. The Time/Date data is returned in the following format:

PLC Time/Date Area		Description
Word Location	Byte Location	
Word 1 (low byte)	Byte 1	Year (in BCD)
Word 1 (high byte)	Byte 2	Month (in BCD)
Word 2 (low byte)	Byte 3	Day (in BCD)
Word 2 (high byte)	Byte 4	Hour (in BCD)
Word 3 (low byte)	Byte 5	Minutes (in BCD)
Word 3 (high byte)	Byte 6	Seconds (in BCD)
Word 4 (low byte)	Byte 7	Day of Week (Sunday=1, Saturday=7)
Word 4 (high byte)	Byte 8	Unused

Return Fault Table: 07212 (1C2C)

Available Modes: Master

Description:

Remote command. The slave device must be attached before executing this command; see Attach command. The master sends a Return Fault Table request; the slave responds with data. This service provides the master with the capability to retrieve all or any part of the I/O or PLC Fault Tables from the slave device. The I/O Fault Table can contain up to 32 entries; the PLC Fault Table can contain up to 16 entries. *For detailed information on the fault tables, refer to the applicable Programmable Controller Reference Manual; GFK-0265 for Series 90-70 or GFK-0467 for Series 90-30.*

Example Command Block:

Read the attached slave device I/O Fault Table, Entry 1 only, and store in master device Register Memory (%R), Registers 201-227.

Word 1:	00006 (0006)	SNP Data Block Length
Word 2:	00000 (0000)	NOWAIT Mode
Word 3:	00008 (0008)	Status Word Memory Type (%R)
Word 4:	00000 (0000)	Status Word Address minus 1 (Register 1)
Word 5:	00000 (0000)	Not Used
Word 6:	00000 (0000)	Not Used
Word 7:	07212 (1C2C)	Command Number
Word 8:	00001 (0001)	Selected Fault Table (I/O = 1, PLC = 2)
Word 9:	00001 (0001)	Beginning Fault Table Entry (I/O = 1-32, PLC = 1-16)
Word 10:	00001 (0001)	Number of faults entries requested (I/O = 1-32, PLC = 1-16)
Word 11:	00008 (0008)	Master Memory Type to store Fault Table (%R)
Word 12:	00201 (0001)	Master Address to store Fault Table (Register 201)

The *Master Memory Type and Address* fields must be selected to allow enough room to accommodate the 12 bytes of data necessary to represent the table header plus 42 bytes for each fault requested from the slave PLC. This size requirement applies to both I/O and PLC Fault Table retrieval. See Table 6-1 for valid memory types and addresses. The Fault Table area is returned in the following format:

Fault Table Area	Description
	Timestamp of last clear
Word 1 (low byte)	Seconds (in BCD)
Word 1 (high byte)	Minutes (in BCD)
Word 2 (low byte)	Hours (in BCD)
Word 2 (high byte)	Day (in BCD)
Word 3 (low byte)	Month (in BCD)
Word 3 (high byte)	Year (in BCD)
Word 4	Faults since last clear
Word 5	Faults in the table
Word 6	Faults in this response
Word 7-27	Fault table entry #1
...	
Word 322-342	Fault table entry #16
...	
Word 658-678	Fault table entry #32

The format of each I/O Fault Table entry is described in the following table:

I/O Fault Table Area	Description
Byte 1	Spare (unused)
Byte 2-4	Reference address
Byte 5	Rack number
Byte 6	Slot number
Byte 7	I/O Bus number
Byte 8	Bus address
Byte 9-10	Point address
Byte 11	Fault group
Byte 12	Fault action
Byte 13	Fault category
Byte 14	Fault type
Byte 15	Fault description
Byte 16-36	Spare (unused)
Byte 37	Timestamp: Seconds (in BCD)
Byte 38	Minutes (in BCD)
Byte 39	Hours (in BCD)
Byte 40	Day (in BCD)
Byte 41	Month (in BCD)
Byte 42	Year (in BCD)

The format of each PLC Fault Table entry is described in the following table:

PLC Fault Table Area	Description
Byte 1-4	Spare (unused)
Byte 5	Rack number
Byte 6	Slot number
Byte 7	Unit number
Byte 8	Spare (unused)
Byte 9	Fault group
Byte 10	Fault action
Byte 11-12	Fault error code
Byte 13-36	Spare (unused)
Byte 37	Timestamp: Seconds (in BCD)
Byte 38	Minutes (in BCD)
Byte 39	Hours (in BCD)
Byte 40	Day (in BCD)
Byte 41	Month (in BCD)
Byte 42	Year (in BCD)

Set PLC Time/Date: 07213 (1C2D)

Available Modes: Master

Description:

Remote command. The slave device must be attached before executing this command; see Attach command. The master sends a Set PLC Time/Date request with data; the slave responds. This service provides the master with the capability to set the current system time and date clock of the slave device. The master is provided several options. The master may specify and set the date and/or time explicitly. The master may also specify that the master PLC's system date/time be used to set the slave. This option is useful in synchronizing the slave's date/time with the master's date/time.

The Series 90-70 PLC and Series 90-30 PLC Models 331– 364 support time, date, and day of week. The Series 90-30 PLC Models 311, 313, 323 and Series 90-20 PLC do not support time, date, or day of week.

Example Command Block:

Set the date for the attached slave Series 90-70 PLC to Sunday, January 19, 1992.

Word 1:	00006 (0006)	SNP Data Block Length
Word 2:	00000 (0000)	NOWAIT Mode
Word 3:	00008 (0008)	Status Word Memory Type (%R)
Word 4:	00000 (0000)	Status Word Address minus 1 (Register 1)
Word 5:	00000 (0000)	Not Used
Word 6:	00000 (0000)	Not Used
Word 7:	07213 (1C2D)	Command Number
Word 8:	00003 (0003)	Set mode (time/date=1, time only=2, date only=3, synchronize=4)
Word 9:	00402 (0192)	Year (low byte)/month (high byte)
Word 10:	00025 (0019)	Day of month (low byte)/hours (high byte)
Word 11:	00000 (0000)	Minutes (low byte)/seconds (high byte)
Word 12:	00001 (0001)	Day of week (low byte)/0 (high byte)

The *Set mode* field specifies what parts of the date and time are to be set in the slave device. If *time only* is selected, the values for date and day of week are not used. If *date only* is selected, the values for time are not used. If *synchronize* is selected, the master PLC's system time and date is used in lieu of the time and date fields in the COMMREQ Command Block.

The Year, Month, Day of month, Hours, Minutes, Seconds, and Day of week are specified in a packed BCD format. The Hours value is entered in 24-hour format (0-23). The Day of week value specifies day of the week, where Sunday = 1 and Saturday = 7.

Toggle Force System Memory: 07214 (1C2E)

Available Modes: Master

Description:

Remote command. The slave device must be attached before executing this command; see Attach command. The master sends a Toggle Force System Memory request with data; the slave responds. This service provides the master with the capability to toggle a single status, override, or transition bit in the slave device to the opposite state (that is, from *set* to *reset*, or from *reset* to *set*).

Example Command Block:

Toggle the attached slave device Input Memory (%I), Input 1, to the opposite state.

Word 1:	00003 (0003)	SNP Data Block Length
Word 2:	00000 (0000)	NOWAIT Mode
Word 3:	00008 (0008)	Status Word Memory Type (%R)
Word 4:	00000 (0000)	Status Word Address minus 1 (Register 1)
Word 5:	00000 (0000)	Not Used
Word 6:	00000 (0000)	Not Used
Word 7:	07214 (1C2E)	SNP Command Number
Word 8:	00070 (0046)	Slave Memory Type to toggle (%I)
Word 9:	00001 (0001)	Slave Address to toggle (Input 1)

The *Slave Memory Type and Address* fields specify the reference table bit in the slave device to be toggled. Only bit-oriented memory types are allowed. (See the following table for the memory types supported by this command.)

The following table lists the valid slave device Memory Types for the Toggle Force System Memory command:

Table 6-18. Valid Memory Types

Memory Type		Description
Decimal	Hexadecimal	
70	46h	%I memory in bit mode.
72	48h	%Q memory in bit mode.
74	4Ah	%T memory in bit mode.
76	4Ch	%M memory in bit mode.
78	4Eh	%SA memory in bit mode.
80	50h	%SB memory in bit mode.
82	52h	%SC memory in bit mode.
84	54h	%S memory in bit mode.
86	56h	%G memory in bit mode.
150	96h	%I override table in bit mode. ¹
152	98h	%Q override table in bit mode. ¹
154	9Ah	%T override table in bit mode. ¹
156	9Ch	%M override table in bit mode. ¹
166	A6h	%G override table in bit mode. ¹
168	A8h	%I transition table in bit mode.
170	AAh	%Q transition table in bit mode.
172	ACh	%T transition table in bit mode.
174	A Eh	%M transition table in bit mode.
176	B0h	%SA transition table in bit mode.
178	B2h	%SB transition table in bit mode.
180	B4h	%SC transition table in bit mode.
182	B6h	%S transition table in bit mode.
184	B8h	%G transition table in bit mode.

¹ Access to these reference tables requires privilege level 3. Since privilege level 3 cannot be attained in the Series 90 CMM modules, these reference tables cannot be accessed via the CMM.

Establish Datagram: 07215 (1C2F)

Available Modes: Master

Description:

Remote command. The slave device must be attached before executing this command; see Attach command. The master sends an Establish Datagram request with data; the slave responds with a unique Datagram ID. The master then sends a Write Datagram request with additional data; the slave again responds. This service provides the master with the capability to define a datagram - an area within the slave device to be used to gather a mixed set of reference table data. Once established, the datagram area may be retrieved via the Datagram ID by using an Update Datagram or Update Real-Time Datagram command.

Example Command Block:

Establish a permanent datagram in the attached Series 90-70 slave device. Place the Datagram ID returned from the slave device into master device Register Memory (%R), Register 161. The slave device Main Program name is not required. Set up the datagram for 2 point formats. Point format 1 contains slave (%R) Registers 201-210, and point format 2 contains slave (%I) Inputs 1-16. Note that the Input memory is accessed in byte-mode to overcome bit-mode restrictions in Series 90-70 PLCs. The total datagram data size for all point formats is thus 10 registers (20 bytes) plus 16 inputs (2 bytes), or 22 bytes.

Word 1:	00017 (0011)	SNP Data Block Length (must include all Point Formats)
Word 2:	00000 (0000)	NOWAIT Mode
Word 3:	00008 (0008)	Status Word Memory Type (%R)
Word 4:	00000 (0000)	Status Word Address minus 1 (Register 1)
Word 5:	00000 (0000)	Not Used
Word 6:	00000 (0000)	Not Used
Word 7:	07215 (1C2F)	SNP Command Number
Word 8:	00000 (0000)	Slave Device Type (90-70=0, 90-30/90-20=1)
Word 9:	00129 (0081)	Datagram Type (Normal=1, Permanent=81H)
Word 10:	00022 (0016)	Size of Datagram area in bytes (22 bytes)
Word 11:	00008 (0008)	Master Memory Type for Datagram ID (%R)
Word 12:	00161 (00A1)	Master Address for Datagram ID (Register 161)
Word 13:	00000 (0000)	Characters 1 and 2 of Local Subblk or Main Pgm name: null
Word 14:	00000 (0000)	Characters 3 and 4 of Local Subblk or Main Pgm name: null
Word 15:	00000 (0000)	Characters 5 and 6 of Local Subblk or Main Pgm name: null
Word 16:	00000 (0000)	Characters 7 and 8 of Local Subblk or Main Pgm name: null
Word 17:	00002 (0002)	Number of Point Formats to follow
Word 18:	00008 (0008)	Slave Point format (1) Memory Type (%R)
Word 19:	00201 (00C9)	Slave Point format (1) Address (%R201)
Word 20:	00010 (000A)	Slave Point format (1) count (10 registers: %R201-%R210)
Word 21:	00016 (0010)	Slave Point format (2) Memory Type (%I in byte mode)
Word 22:	00001 (0001)	Slave Point format (2) Address (byte 1 = %I1)
Word 23:	00002 (0002)	Slave Point format (2) count (2 bytes = 16 Inputs: %I1-%I16)

The *Slave Device Type* field specifies whether the slave device is in a Series 90-70 or in a Series 90-30/90-20 PLC. Unpredictable operation will result if this value specifies the wrong slave device type.

The *Datagram Type* field designates the datagram to be established as either a normal or permanent datagram. A normal datagram remains established in the slave PLC for the life of the communication (that is, until another SNP Attach or Update Real-Time Datagram service is performed). A permanent datagram remains established in the slave PLC for the life of the PLC (that is, until the datagram is cancelled, power is cycled to the PLC, or the datagram's control program is deleted).

The *Size of the Datagram area* field specifies in bytes the size of the datagram data area. This area represents the combined sizes of all of the data areas specified by the point formats. Each point format defines data whose size depends upon the memory type and element count for that format. For example, a point format specifying 19 bits of the Input Table requires 3 bytes to represent it. Two registers require 4 bytes.

The *Master Memory Type and Address for Datagram ID* fields specify the location in the master PLC memory where this COMMREQ returns the 1-byte Datagram ID. The Datagram ID is obtained from the slave device when the datagram is successfully established. The Datagram ID must be used by the master to identify this datagram in all subsequent commands. See 6-1 for valid memory types and addresses.

If the datagram is designed to access Local Subblock Memory (%L) or Main Program Memory (%P) in a Series 90-70 slave device, the *Local Subblk or Main Pgm name* field must contain the Main Program name (for %P) or Local Subblock name (for %L) as an ASCII string. Otherwise, this field is set to null (0).

Each datagram consists of one or more Point Formats. A Point Format defines a memory range within the slave device. The *Number of Point Formats* field contains the number of Point Formats being defined. Each Point Format consists of 3 words; the memory type, the memory address, and the count of memory elements to be read. See Table 6-1, and the Notes below, for memory types and address. The memory element count may range from 1 to 256 only. Examples of Point Formats are shown above in Words 18-20 and in Words 21-23. A 3-word Point Format is required for each Point Format counted in Word 17. A maximum of 32 point formats is allowed in a datagram.

Note

It is **strongly recommended** that byte-oriented memory types be used in Point Formats instead of bit-oriented memory types.

A Series 90-70 slave device does *not* permit bit-oriented memory types in a datagram Point Format under any circumstances.

Bit-oriented memory types are permitted in datagram Point Formats for a Series 90-30 slave device, with the following restriction: The entire bit-type Point Format must fit within a single aligned byte of memory. A permissible byte of bit-oriented memory contains only 8 memory elements (#1 to #8, #9 to #16, ..., #(N*8)+1 to #(N*8)+8, etc.). The Point Format may begin with any element, but its length must not extend beyond the same memory byte as the starting element.

For example, a Series 90-30 datagram can contain a 6-bit Point Format containing Inputs %I33 to %I38, but not Inputs %I37 to %I42. The latter Point Format exceeds a single aligned memory byte (%I33 to %I40).

Note

The length of the SNP COMMREQ Data Block varies with the number of Point Formats defined in the Establish Datagram command. The COMMREQ Data Block Length (Word 1 of the COMMREQ) must be equal to $(3 * \text{Word 17}) + 11$.

Update Datagram: 07216 (1C30)

Available Modes: Master

Description:

Remote command. The slave device must be attached and a datagram must have been established before issuing this command; see Attach and Establish Datagram commands. The master sends an Update Datagram request; the slave responds with data. This service provides the master with the capability to retrieve a pre-defined datagram area from the slave device. Once the datagram is established, the datagram can be retrieved by its Datagram ID as often as necessary until the datagram is cancelled or, if a normal datagram, until the slave device is detached. If the datagram is a permanent datagram and the slave device is detached, the datagram does not have to be re-established before issuing the Update Datagram command.

Example Command Block:

Update the permanent datagram with Datagram ID=1 in the attached slave device and store the returned data in master device Register Memory (%R), beginning at Register 201.

Word 1:	00005 (0005)	SNP Data Block Length
Word 2:	00000 (0000)	NOWAIT Mode
Word 3:	00008 (0008)	Status Word Memory Type (%R)
Word 4:	00000 (0000)	Status Word Address minus 1 (Register 1)
Word 5:	00000 (0000)	Not Used
Word 6:	00000 (0000)	Not Used
Word 7:	07216 (1C30)	SNP Command Number
Word 8:	00001 (0001)	Datagram ID
Word 9:	00129 (0081)	Datagram Type (Normal=1, Permanent=81h)
Word 10:	00008 (0008)	Master Memory Type to store Datagram (%R)
Word 11:	00201 (00C9)	Master Address to store Datagram (Register 201)

The *Datagram ID* field specifies the particular datagram to retrieve. This value was previously returned to the PLC application program upon successful completion of the Establish Datagram command.

The *Datagram Type* field designates a normal or permanent datagram. This value must match the type specified when the datagram was established.

The *Master Memory Type and Address* fields must be selected to allow enough room to accommodate the datagram area returned from the slave. This area is of the size specified in the Establish Datagram command which defined the size and format of the datagram. See Table 6-1 for valid memory types and addresses.

Cancel Datagram: 07217 (1C31)

Available Modes: Master

Description:

Remote command. The slave device must be attached and a datagram established before executing this command; see Attach and Establish Datagram commands. This service provides the master with the capability to cancel a previously established normal or permanent datagram in the slave device.

Example Command Block:

Cancel the permanent datagram with Datagram ID=1 in the attached slave device.

Word 1:	00003 (0003)	SNP Data Block Length
Word 2:	00000 (0000)	NOWAIT Mode
Word 3:	00008 (0008)	Status Word Memory Type (%R)
Word 4:	00000 (0000)	Status Word Address minus 1 (Register 1)
Word 5:	00000 (0000)	Not Used
Word 6:	00000 (0000)	Not Used
Word 7:	07217 (1C31)	SNP Command Number
Word 8:	00001 (0001)	Datagram ID
Word 9:	00129 (0081)	Datagram Type (Normal=1, Permanent=81h)

The *Datagram ID* field specifies the particular datagram to cancel. This value was returned to the PLC application program upon successful completion of the Establish Datagram command. The special value of -1 specifies that all datagrams of the selected datagram type be cancelled.

The *Datagram Type* field designates a normal or permanent datagram. This value must match the type specified when the datagram was established.

Note

If the slave device is a CMM311 module (Series 90-30) with both ports configured as SNP slaves, a Cancel Datagram command with the special Datagram ID of -1 will cancel all datagrams of the specified Datagram Type established on *both* ports. **This note does not apply to the CMM71 1.**

Update Real-Time Datagram: 07218 (1C32)

Available Modes: Master

Description:

Remote command. A permanent datagram must have been established before executing this command. This service provides the master with the capability to Attach to the slave and retrieve a specified permanent datagram area by issuing a single command. This service differs from the Update Datagram service in that communication with the slave device need not have been previously established by an Attach or Long Attach in order to perform this service. Update Real-Time Datagram commands may be issued as desired; separate Attach commands to establish communications with the desired slave devices are not required. This service is provided to allow for the fastest possible retrieval of data from a slave device, particularly in a multi-drop polling application. This command may be used to retrieve permanent datagrams only.

Example Command Block:

Update (using the Update Real-Time Datagram service) the permanent datagram with Datagram ID=1 in the slave device whose SNP ID is *SNPID1*. Store the returned datagram data in master Register Memory (%R), beginning at Register 201. Store the 6 bytes of Piggyback Status data in master device Register memory (%R), Registers 171-173.

Word 1:	00010 (000A)	SNP Data Block Length
Word 2:	00000 (0000)	NOWAIT Mode
Word 3:	00008 (0008)	Status Word Memory Type (%R)
Word 4:	00000 (0000)	Status Word Address minus 1 (Register 1)
Word 5:	00000 (0000)	Not Used
Word 6:	00000 (0000)	Not Used
Word 7:	07218 (1C32)	SNP Command Number
Word 8:	00001 (0001)	Datagram ID
Word 9:	20051 (4E53)	Characters 1 and 2 of Slave SNP ID: S (53h), N (4Eh)
Word 10:	18768 (4950)	Characters 3 and 4 of Slave SNP ID: P (50h), I (49h)
Word 11:	12612 (3144)	Characters 5 and 6 of Slave SNP ID: D (44h), 1 (31h)
Word 12:	00000 (0000)	Characters 7 and 8 of Slave SNP ID: null, null
Word 13:	00008 (0008)	Master Memory Type to store Datagram (%R)
Word 14:	00201 (00C9)	Master Address to store Datagram (Register 201)
Word 15:	00008 (0008)	Master Memory Type to store Piggyback Status (%R)
Word 16:	00171 (00AB)	Master Address to store Piggyback Status (Register 171)

The *Datagram ID* field specifies the particular permanent datagram to retrieve. This value was previously returned to the PLC application program upon successful completion of the Establish Datagram command.

The *Slave SNP ID* field specifies the SNP ID of the desired slave device. The SNP ID field is 8 bytes long. For a Series 90–30 or Series 90-70 PLC slave device, the SNP ID can be a maximum of 7 bytes followed by a null character (0) and can include any ASCII character. (Note that Logicmaster only supports a 6–byte SNP ID for a Series 90–30.) For a Series 90-20 PLC slave device, the SNP ID is restricted to a maximum of 6 bytes followed by a null character (0).

A null SNP ID (Character 1 = 0) can be used to select to any slave SNP device regardless of its assigned SNP ID. It should be noted that a null SNP ID can *only* be successful in a point-to-point wiring configuration. In a multidrop wiring configuration, all SNP slave devices would respond to any Long Attach specifying a null SNP ID. This procedure will produce unpredictable results and should not be attempted.

The *Master Memory Type and Address* fields must be selected to allow enough room to accommodate the datagram area returned from the slave. This area is of the size specified in the Establish Datagram command which defined the size and format of the datagram. See Table 6–1, “Memory Types, Unit Lengths, and Valid Ranges,” for valid memory types and addresses.

The *Master Memory Type and Address for Piggyback Status* fields are optional. If specified, an area must be provided which can accommodate the 6 bytes of Piggyback Status information. The Piggyback Status information is returned with every SNP response message sent by the slave device. Once the Piggyback Status area is specified, the Piggyback Status information is written there as each successful SNP response message is received, for as long as the connection remains established. If the Piggyback Status memory type and address values are 0 (that is, a Piggyback area is not specified), the Piggyback Status information is ignored and is not provided to the PLC ladder application program. (See Table 6–11 for a description of the Piggyback Status Data area.) See Table 6–1, “Memory Types, Unit Lengths, and Valid Ranges,” for valid memory types and addresses.

Note

The Update Real-Time Datagram command may be sent to any slave device, as specified by the slave SNP ID. This command issues a Break sequence, which will cancel any previous Attach or Long Attach command and abort any existing SNP communication. A new Attach or Long Attach command must be issued to re-establish normal SNP communication after all Update Real-Time Datagram commands have been completed.

Long Attach: 07300 (1C84)

Available Modes: Master

Description:

Remote command. The Long Attach command provides the capability to specify a host of additional parameters to fine tune the communications between the master and the slave device. The Long Attach command can be issued at any time. When issued, a Break sequence is initiated to all slave devices. The detection of the Break sequence by a slave device immediately aborts any communication session currently in process and places the slave device into a state waiting for a valid Attach request. The master waits the length of the T4 timer before sending the Attach request to the slave devices. The master then waits for the Attach response. Only the slave device with the matching SNP ID responds. The other slaves return to a state waiting for a Break sequence.

In addition to the exchange of the Attach request/response, an exchange of an SNP Parameter Select request/response also occurs. The SNP Parameter Select request is issued by the master SNP device to negotiate the T2 and T3' timer values, the Modem Turnaround Delay, the Transmission Time Delay, and the Maximum SNP Data Size with the slave SNP device.

Having negotiated a successful Long Attach to a slave PLC, the master device is accorded the default privilege level at the slave device. For the built-in CPU port in a Series 90-70 PLC, the default slave privilege level is Level 0; Level 0 prevents any read or write of the PLC memory. For the standard SNP CPU port in a Series 90-30 or Series 90-20 PLC, the default slave privilege level is Level 1; Level 1 permits read but not write of the PLC memory. For an SNP slave device on a CMM module in any Series 90 PLC, the slave privilege is always Level 2 and cannot be changed; Level 2 permits read and write of the PLC memory.

If the master device requires additional privileges, see the Change Privilege Level command for further information.

The Long Attach command also enables or disables Piggyback Status reporting for the duration of the SNP communication. When enabled, Piggyback Status data is updated after each successful command.

Example Command Block:

Issue a Long Attach command to a slave device whose SNP ID is *SNP ID1*. Store the 6 bytes of Piggyback Status data in master device Register memory (%R), Registers 171-173. Disable the T3' timer to eliminate *keep alive* message traffic. Change the T4 timer to 100 msec. Set all other SNP timers to the default configured values. Set the modem turnaround delay to 10 milliseconds for modem communication, and reduce the maximum SNP message size to 256 bytes for communication in a noisy environment.

Word 1:	00015 (000F)	SNP Data Block Length
Word 2:	00000 (0000)	NOWAIT Mode
Word 3:	00008 (0008)	Status Word Memory Type (%R)
Word 4:	00000 (0000)	Status Word Address minus 1 (Register 1)
Word 5:	00000 (0000)	Not Used
Word 6:	00000 (0000)	Not Used
Word 7:	07300 (1C84)	SNP Command Number
Word 8:	20051 (4E53)	Characters 1 and 2 of Slave SNP ID: S (53h), N (4Eh)
Word 9:	18768 (4950)	Characters 3 and 4 of Slave SNP ID: P (50h), I (49h)
Word 10:	12612 (3144)	Characters 5 and 6 of Slave SNP ID: D (44h), 1 (31h)
Word 11:	00000 (0000)	Characters 7 and 8 of Slave SNP ID: null, null
Word 12:	00008 (0008)	Master Memory Type to store Piggyback Status (%R)
Word 13:	00171 (00AB)	Master Address to store Piggyback Status (Register 171)
Word 14:	00005 (0005)	T1 (5 msec; default = 5 msec)
Word 15:	02000 (07D0)	T2 (0 = disabled) (2 sec; default = 2 sec)
Word 16:	00000 (0000)	T3' (0 = disabled; default = 10 sec)
Word 17:	00100 (0064)	T4 (100 msec; default = 50 msec)
Word 18:	00000 (0000)	T5 (0 = disabled; default = disabled)
Word 19:	00010 (000A)	Modem Turnaround Delay (10 msec; default = 0 msec)
Word 20:	00000 (0000)	Transmission Time Delay (0 msec; default = 0 msec)
Word 21:	00256 (0100)	Maximum SNP Data Size (256 bytes; default = 1000 bytes)

The *Slave SNP ID* field specifies the SNP ID of the desired slave device. The SNP ID field is 8 bytes long. For a Series 90–30 or Series 90-70 PLC slave device, the SNP ID can be a maximum of 7 bytes followed by a null character (0) and can include any ASCII character. For a Series 90-20 PLC slave device, the SNP ID is restricted to a maximum of 6 bytes followed by a null character (0); the 6 bytes must be the ASCII characters **0** through **9** inclusive and upper case **A** through **F** inclusive.

A null SNP ID (Character 1 = 0) can be used to Attach to any slave SNP device regardless of its assigned SNP ID. It should be noted that a null SNP ID can *only* be successful in a point-to-point wiring configuration. In a multidrop wiring configuration, all SNP slave devices would respond to any Long Attach specifying a null SNP ID. This procedure will produce unpredictable results and should not be attempted.

The *Master Memory Type and Address for Piggyback Status* fields are optional. If specified, an area must be provided which can accommodate the 6 bytes of Piggyback Status information. The Piggyback Status information is returned with every SNP response message sent by the slave device. Once the Piggyback Status area is specified, the Piggyback Status information is written there as each successful SNP response message is received, for as long as the connection remains established. If the Piggyback Status memory type and address values are 0 (that is, a Piggyback area is not specified), the Piggyback Status information is ignored and is not provided to the PLC ladder application program. (See Table 6–11 for a description of the Piggyback Status Data area.) See Table 6–1 for valid memory types and addresses.

The *T1*, *T2*, *T3*, *T4*, and *T5* fields specify the new values of the various SNP timers. All SNP timer values are specified in milliseconds. The *T1*, *T2*, and *T3*' timer values will be negotiated between the master and slave devices. (See Chapter 7, Protocol Definition, Section 3, SNP Protocol for an explanation of the SNP timers and their usage.) In this COMMREQ, specifying the value of 0 for any timer disables the timer.

When a modem is being used, the *T4* timer should be set to 600 msec or greater to allow the Break to be transmitted correctly.

The *Modem Turnaround Delay* field specifies the duration of time required by the modem to turn the communication link around. The duration is specified in milliseconds and the default value is 0.

The *Transmission Delay Time* field specifies a time period in seconds to account for unusually long delays in transmission between SNP devices. Unusually long delays are typical of communications via satellite. This value is specified in seconds and the default value is 0.

The *Maximum SNP Data Size* field provides the ability to reduce the size of SNP data messages transmitted over the wire. Communications in noisy environments may require a smaller message size to minimize transmission errors. This value must fall in the range of 42 to 1000 bytes and be an even number of bytes. The default value is 1000.

Autodial Command: 07400 (1CE8)

Available Modes: Master

Description:

Local command. This command allows a string of data to be output to an external telephone modem attached to the serial port; this provides the ability to autodial the attached modem by issuing modem commands. The modem command strings follow the Hayes convention. Modem command strings are not part of the SNP protocol.

Upon issuing the Autodial command, an Escape sequence is transmitted to the attached modem. The Escape sequence assures that the modem is returned to the command state. The Escape sequence consists of 2 seconds of silence followed by 3 plus (+) characters followed by another 2 seconds of silence. The modem command string specified in the Autodial COMMREQ will then be transmitted immediately following the Escape sequence. The format of the modem command string is dependent on the attached modem and the desired operation. Once the phone connection has been established, it is the responsibility of the PLC application program to hang up the phone connection. This is accomplished by reissuing the Autodial command and sending the appropriate hang up command string.

Each modem command string must end with the ASCII carriage return character (0Dh) for proper recognition by the modem. This character must be included in the command string data and length.

The SNP Data Block Length must include the entire modem command string. The Data Block Length will vary with the size of the modem command string. The COMMREQ Data Block Length (Word 1 of the COMMREQ) must be equal to $((\text{Word } 9 + 1) / 2) + 3$.

Command Block Example:

Dial the number 234-5678. The modem command string used is *ATDT2345678<CR>*. The maximum modem response time is 30 seconds. (The modem response will be checked.) The modem command string data begins at Word 10.

Word 1:	00009 (0009)	SNP Data Block Length (includes command string)
Word 2:	00000 (0000)	NOWAIT Mode
Word 3:	00008 (0008)	Status Word Memory Type (%R)
Word 4:	00000 (0000)	Status Word Address minus 1 (Register 1)
Word 5:	00000 (0000)	Not Used
Word 6:	00000 (0000)	Not Used
Word 7:	07400 (1CE8)	SNP Command Number
Word 8:	00030 (001E)	Modem Response Timeout (30 seconds)
Word 9:	00012 (000C)	Number of bytes in command string
Word 10:	21569 (5441)	A (41h), T (54h)
Word 11:	21572 (5444)	D (44h), T (54h)
Word 12:	13106 (3332)	2 (32h), 3 (33h)
Word 13:	13620 (3534)	4 (34h), 5 (35h)
Word 14:	14134 (3736)	6 (36h), 7 (37h)
Word 15:	03384 (0D38)	8 (38h), <CR>(0Dh)

The *Modem Response Timeout* field specifies the maximum time interval that the COMMREQ will wait for the entire response string from the modem after the modem command has been sent. The time interval is specified in seconds. If the modem response timeout value is zero, modem response checking is disabled; the COMMREQ completes as soon as the command string is sent to the modem. If the modem response timeout value is non-zero, modem response checking is enabled; the COMMREQ waits for the modem response. When the modem response is received, it is checked for successful completion of the modem command; if the response is not received within this time interval, an error code is generated.

The *Number of bytes in command string* field specifies the length of the command string to send to the modem. This length includes all characters, including any spaces, and must include the terminating ASCII carriage return character <CR>. The modem command string can be from 1 to 250 bytes in length.

Examples of commonly used modem command strings issued to a Hayes-compatible modem are provided below:

Command String	Length	Function
ATDP15035559999<CR>	16 (10h)	Pulse dial the number 1-(503) 555-9999
ATDT15035559999<CR>	16 (10h)	Tone dial the number 1-(503) 555-9999
ATDT9,15035559999<CR>	18 (12h)	Tone dial using outside line with pause
ATH0<CR>	5 (05h)	Hang up the phone
ATZ<CR>	4 (04h)	Restore modem configuration to internally-saved values.

Chapter 7

Protocol Definition - CCM, RTU, SNP/SNP-X

This chapter is divided into the following sections:

- Section 1: CCM Protocol
- Section 2: RTU Protocol
- Section 3: SNP Protocol
- Section 4: SNP-X Protocol

Section 1: CCM Protocol

This section contains a complete description of the CCM protocol for users writing a CCM serial communications driver. Topics covered include protocol flow for peer-to-peer and master-slave mode and protocol timing and retry specifications. State tables are provided at the end of the section to clearly define what occurs throughout the protocol exchange for peer and master-slave modes. Separate tables are provided for the CCM Peer, CCM Master and CCM Slave.

The CCM Protocol transfers data using the asynchronous serial data format. For background information on serial data transmission and the asynchronous format, refer to Appendix E. *The Serial Line Interface*. The following topics are covered in this section:

- Overview of CCM Protocol
- CCM Peer-to-Peer Mode Description
- CCM Master-Slave Mode Description
- Protocol Timing and Retry Specifications
- CCM Protocol State Tables

Overview of CCM Protocol

The CCM Protocol is based on the ANSI Standard X3.28, implementing asynchronous character transfer using an 8-bit binary or ASCII format with optional parity bit. Parity may be specified as odd or none.

Modes of Operation

The CCM Protocol has two modes of operation: Peer-to-Peer and Master-Slave.

Peer-to-peer mode is a point-to-point configuration where only two devices share a single communication line. Either device on the line may initiate communications. The initiating device is called the source and the responding device is called the target.

Master-slave mode is used in a multidrop configuration with one master and one or more slaves. Only the master can initiate communications.

CCM Control Characters

The CCM Protocol uses special ASCII control characters for both peer-to-peer and master-slave modes. The table below lists the ASCII control characters used by the CCM Protocol:

Table 7-1. Control Characters Used in CCM Protocol

Chapter	Hex Value	Meaning
ENQ	05	Enquire
ACK	06	Acknowledge
NAK	15	Negative Acknowledge
SOH	01	Start of Header
ETB	17	End of Block
STX	02	Start of Text
ETX	03	End of Text
EOT	04	End of Transmission

CCM Protocol Flow

This section provides an overview of the message exchange that takes place using the CCM Protocol. The message flow is the same for both master-slave and peer-to-peer mode; however, the characters transferred during the ENQ sequence are slightly different. These differences will be detailed later in this section.

Enquiry Sequence. The enquiry sequence is a request to initiate communications, and is sent from a master or peer device. If the target device is not busy, it sends a positive acknowledge (ACK). If it is busy, it sends a negative acknowledge (NAK).

Header Transfer. After receiving a positive acknowledge to the enquire sequence, the initiating device sends a 17-character message called the header. The header block specifies direction, memory type and address, and length of data transfer. All bytes in the header, except for the CCM control characters, are in ASCII-coded hexadecimal format.

If the header is correct, the target station will respond with a positive acknowledge (ACK). If the header is incorrect, the target will respond with a negative acknowledge (NAK).

The header format and descriptions of the fields within the header are shown below:

S O H	Target ID	Data Flow Dir & Tgt Mem	Target Memory Type	Target Memory Address MSB	Target Memory Address LSB	No. of Complete Data Blocks	No of Bytes in Last Block	Source ID	E T B	L R C
1	2 3	4	5	6 7	8 9	10 11	12 13	14 15	16	17

Table 7-2. Header Block Description

Field	Byte	Description	Valid Range
SOH	1	Start of Header control character	01h
Target ID	2,3	Identification number of the target device. Value is represented as ASCII coded hexadecimal. In peer-to-peer mode, a value of FFh (255 decimal) is recognized accepted by any device.	1-255 decimal (peer-peer) 1-90 decimal (master-slave)
Data Flow Direction/ Target Memory Type	4,5	Bytes 4 and 5 supply target memory type. Byte 4 also specifies data direction (read or write). Value is represented as ASCII coded hexadecimal.	Will vary depending on target device. See Table 33.
Target Memory Address	6-9	This field specifies the starting address for the data transfer. Value is represented as ASCII coded hexadecimal.	Will vary depending on target device. See Table 13.
Complete Data Block Count	10,11	The number of complete (256 byte) data blocks to be transferred. Value is represented as ASCII coded hexadecimal.	0-255 decimal
Last Block Byte Count	12,13	The number of bytes (less than 256 bytes) in the final or only data block. Value is represented as ASCII coded hexadecimal.	0-255 decimal
Source ID	14,15	Identification number of source device. Value is represented as ASCII coded hexadecimal.	1-255 decimal (peer-peer) 1-90 decimal (master-slave)
ETB	16	End of Block control character	17h
LRC	17	Longitudinal Redundancy Check. This is an Exclusive Or (XOR) of bytes 2 through 15.	n/a

ASCII Coded Hexadecimal Example

Most values are expressed as ASCII coded hexadecimal. Each hexadecimal digit is converted into an ASCII character. For example, if the target memory address is 00986 (03DAh), each hexadecimal digit is converted to ASCII coded hexadecimal as shown below.

<i>Byte</i>	6	7	8	9
Target Memory Address. (hexadecimal)	0	3	D	A
Target Memory Address. (ASCII coded hexadecimal)	30	33	44	41

Table 7-3. Target Memory Types for CCM Services

Target Mem. Type (Decimal)	Byte 4 ²		Byte 5		Target Memory Type
	(Hex) Rd/Wr	(ASCII) Rd/Wr	(Hex) Rd/Wr	(ASCII) Rd/Wr	
0	30/38	0/8	30	0	CPU Absolute Memory Address
1	30/38	0/8	31	1	CPU Register Table ¹
2	30/38	0/8	32	2	CPU Input Table ¹
3	30/38	0/8	33	3	CPU Output Table ¹
4	30/38	0/8	34	4	CPU Input Override Table
5	30/38	0/8	35	5	CPU Output Override Table
6	30/38	0/8	36	6	CPU Scratchpad ¹
7	30/38	0/8	37	7	CPU User Logic
8	30/38	0/8	38	8	CCM Quick Access Buffer
9	30/38	0/8	39	9	CCM Diagnostic Status Words ¹
13	38	8	44	D	Input Table Bit Set ¹
14	38	8	45	E	Output Table Bit Set ¹
15	38	8	46	F	Input Override Table Bit Set
16	39	9	30	0	Output Override Table Bit Set
17	39	9	31	1	Input Table Bit Clear ¹
18	39	9	32	2	Output Table Bit Clear ¹
19	39	9	33	3	Input Override Table Bit Clear
20	39	9	34	4	Output Override Table Bit Clear
21	39	9	35	5	Input Table Bit Toggle
22	39	9	36	6	Output Table Bit Toggle

¹ Valid memory types when referencing Series 90 PLCs.

² Bit functions can only be write requests.

CCM Header Example. In the following example, the source device (ID = 02) reads 10 registers beginning at Register %R00986 from the target device ID = 01.

Table 7-4. CCM Header Example Data

Byte	Field	Binary	Hex	ASCII
1	Start of Header	0000 0001	01	SOH
2	Target ID - MSB	0011 0000	30	0
3	Target ID - LSB	0011 0001	31	1
4	Data Direction (Read)	0011 0000	30	0
5	Target Memory Type (Register)	0011 0001	31	1
6	Target Memory Address - MSB	0000 0000	30	0
7	Target Memory Address - NMSB	0011 0011	33	3
8	Target Memory Address - NMSB	0100 0100	44	D
9	Target Memory Address - LSB	0100 0001	41	A
10	Complete Block Count- MSB	0011 0000	30	0
11	Complete Block Count- LSB	0011 0000	30	0
12	Bytes Last Block - MSB	0011 0001	31	1
13	Bytes Last Block - LSB	0011 0100	34	4
14	Source ID - MSB	0011 0000	30	0
15	Source ID - LSB	0011 0010	32	2
16	End Transfer Block	0001 0111	17	ETB
17	Block Check Character (LRC)	0000 0001	01	-

* The LRC value is the vertical XOR (Exclusive OR) result of bytes 2 - 15. Any like numbers cancel each other to zero.

Data Transfer. After receiving a positive acknowledge (ACK) to the header sequence, data transfer will start. Data will be written to or read from the responder, depending on the data direction bit specified in the header.

If data byte size is less than or equal to 256 bytes, data transfer will require only one data block. If the data byte size is greater than 256 bytes, the transfer will require multiple blocks.

The data block format and a description of the fields are shown below:

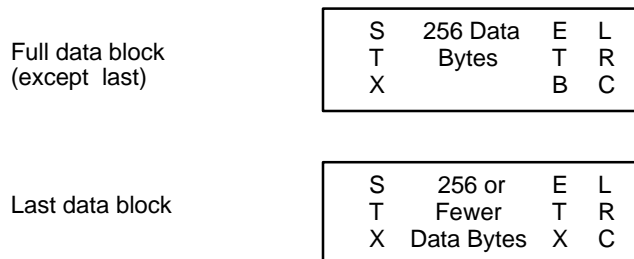


Figure 7-1. Data Block Format

Table 7-5. Data Block Description

Field	Description	Valid Range
STX	Start of Text control character	02h
Data	1-256 data characters.	-
ETB/ ETX	End of Block control character used if data block is not last block. End of Text Block control character used if final data block.	17h 03h
LRC	Longitudinal Redundancy Check on all data characters in block.	-

Protocol Termination. After the final data block is transferred successfully, an EOT control character is used to terminate the connection between peer devices or between master and slave.

In both peer-to-peer and master-slave modes, the station transmitting the final data block sends the EOT after receiving the ACK to the final data block. In addition, in master-slave mode, the master always sends an EOT to terminate a transaction.

The EOT control character is also used to abort a connection if any portion of the CCM Protocol cannot be completed successfully.

CCM Peer-to-Peer Mode

This section describes the protocol flow and enquiry collision sequence for CCM peer-to-peer mode.

Peer-to-Peer Protocol Flow

The figures below show the general format of a successful communications exchange in peer-to-peer mode. The first figure illustrates a data transfer from the source device to the target device (data write). The next figure illustrates a data transfer from the target device to the source device (data read).

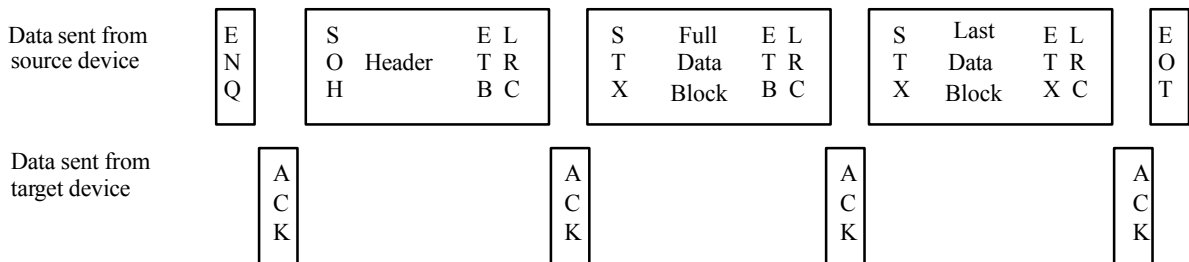


Figure 7-2. Data Transfer from Source to Target (Write, Peer-To-Peer)

This delay is called the back-off time. This back-off time is based on the device’s own ID. Since each device has a unique device ID, one side will eventually be able to transmit the ENQ character without a collision occurring.

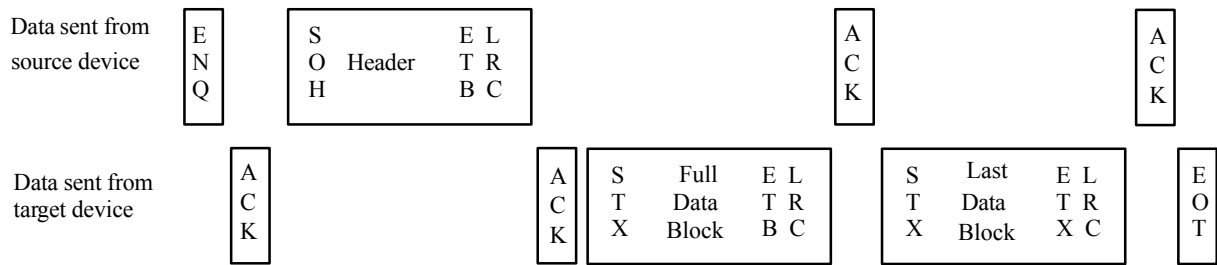


Figure 7-3. Data Transfer from Target to Source (Read, Peer-To-Peer)

Collision Detection and Correction

In peer-to-peer mode, a collision may occur when both devices attempt to initiate communications at the same time. This is known as an Enquiry Collision. If this occurs, each side delays a certain amount of time (ENQ_ACK_TIMER) to listen for an ENQ from the other side before attempting to send another ENQ character. A collision is assumed to occur even if an ENQ character is not received from the other device.

The table below shows the back-off times used for collision handling:

Table 7-6. Collision Back-Off Times for ENQ_ACK_TIMER

Data Rate	ID Bit = 0 (Time in milliseconds)	ID Bit = 1 (Time in milliseconds)
300	300	440
600	140	220
1200	80	120
2400	80	120
4800	80	120
9600	80	120
19200	80	120

The illustration below shows the sequence for setting the back-off time by comparing the bits of the device IDs:

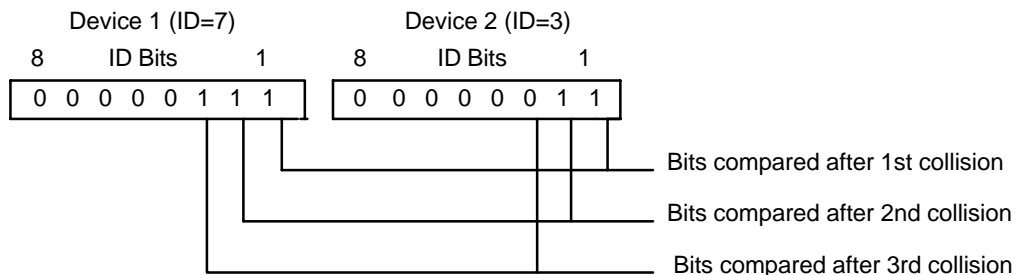


Figure 7-4. Sequence for Setting Back-Off Time

CCM Master-Slave Mode

This section describes the normal protocol flow in master-slave mode and a special Q-sequence protocol exchange available only in master-slave mode.

Normal Sequence Protocol Flow

In Normal sequence master-slave communications, the master ENQ sequence is 3 characters. The format and description of the characters is shown below:

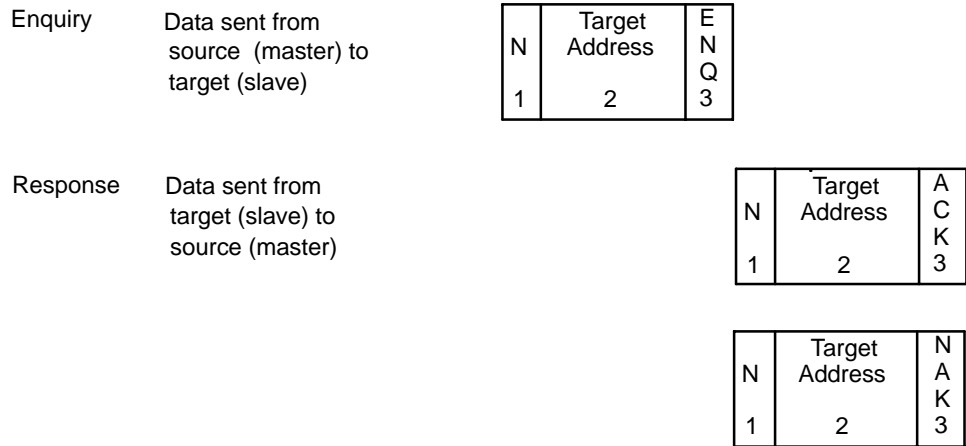


Figure 7-5. Enquiry Format (Master-Slave, Normal Sequence)

The fields in the enquiry sequence are described below:

Table 7-7. Enquiry Description (Master-Slave, Normal Sequence)

Field	Byte	Description	Valid Range
N	1	ASCII coded 'N' used to specify Normal-Sequence operation.	4Eh
Target Address	2	ID number of target slave + 20h. Example: Slave ID is 37h. 37h+20h=57h='W'	21h through 7Ah
ENQ	3	Third character of 3-character enquiry sequence.	05h
ACK/NAK	3	Response from slave indicating positive or negative acknowledge.	06h = ACK 15h = NAK

The first figure below shows a data transfer from the master to the slave (data write). The next figure shows a data transfer from the slave to the master (data read).

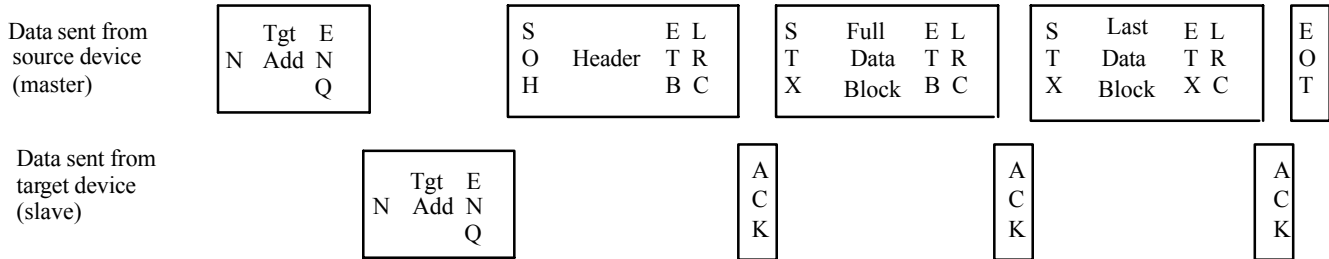


Figure 7-6. Data Transfer from Master to Slave (Write, Master-Slave Normal Sequence)

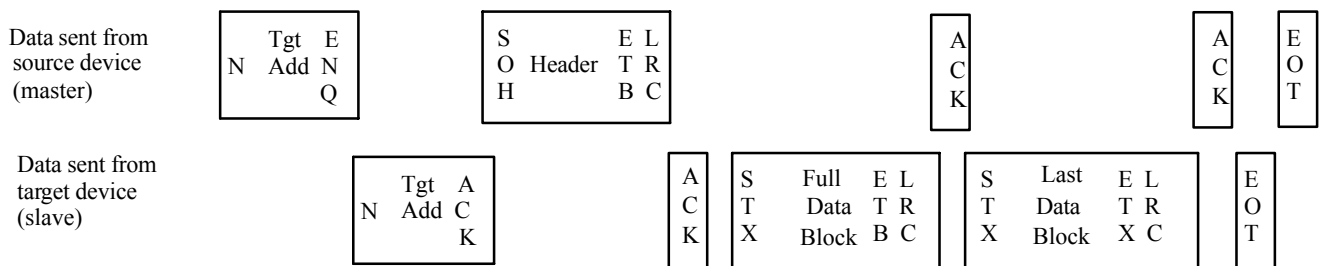


Figure 7-7. Data Transfer from Slave to Master (Read, Master-Slave Normal Sequence)

Q-Sequence Protocol Flow

The Q-Sequence is a special master-slave protocol exchange that allows the master to retrieve 4 bytes of data from a slave without issuing the 17-byte header. In Q-Sequence master-slave communications, the master-ENQ sequence is 3 characters long. The slave-ACK response is 8 characters long. The Enquiry/Data transfer format and description for the Q-Sequence follows:

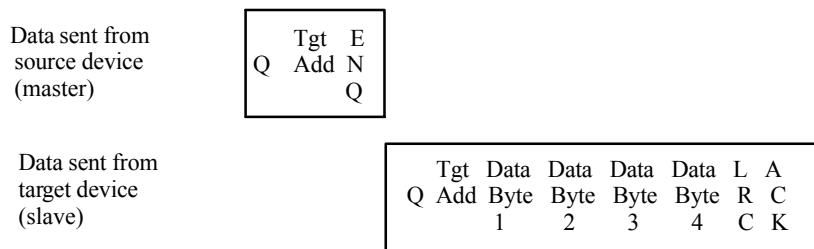


Figure 7-8. Data Transfer from Slave to Master (Master-Slave Q-Sequence)

The following tables describe the individual fields in the communication blocks:

Table 7-8. Master Enquiry Description (Master-Slave, Q-Sequence)

Field	Byte	Description	Valid Range
Q	1	ASCII coded 'Q' used to specify Q-Sequence operation.	51h
Target Address	2	ID number of target slave + 20h. Example: Slave ID is 37h. 37h+20h = 57h = 'W'.	21h through 7Ah
ENQ	3	Third character of 3-character enquiry sequence.	05h

Table 7-9. Slave Response Description (Master-Slave, Q-Sequence)

Field	Byte	Description	Valid Range
Q	1	ASCII coded 'Q' used to specify Q-Sequence operation.	51h
Target Address	2	ID number of target slave + 20h. Example: Slave ID is 37h. 37h+20h = 57h = 'W'.	21h through 7Ah
Data	3-6	Data in Q-Sequence response	--
LRC	7	Longitudinal Redundancy Check. This is an Exclusive OR (XOR) of bytes 3-6	--
ACK	8	ACK control character	06h

Protocol Timing and Retry Specifications

The CCM Protocol defines a set of time ranges and retry ranges for various portions of the protocol exchange. Default values have been defined for the protocol. Some devices, like the Series Six CCM and the Series 90-70 CMM, have added capabilities to modify the default values. If the default values are to be modified, it is important that the values match for both the source and target devices.

CCM Serial Link Timeouts

Timeout conditions are used for error detection and error recovery. Whenever a serial link timeout occurs, the side detecting the timeout will abort the communications and send an EOT to the other device.

The timeouts defined for the CCM Protocol are listed in the table below. If a turn-around delay is used, it is added to the CCM timeout for that portion of the protocol exchange. Each communications driver must adhere to the timeouts defined below:

Table 7-10. Timeouts for CCM Protocol

Timer Name	Description	None	Short	Medium	Long (Default)
ENQ_ACK_TIMER	Wait on ACK/NAK to master ENQ	0	50	400	800
	Wait on ACK/NAK to 1st peer ENQ	0	50	400	800
	Wait on ACK/NAK to retransmitted peer ENQ ¹				
	300	0	300/440	300/440	300/440
	600	0	140/220	140/220	140/220
	1200	0	80/120	80/120	80/120
	.				
	19200	0	80/120	80/120	80/120
SOH_TIMER	Wait on SOH	0	50	400	800
HEADER_TIMER	Wait on End of Header				
	300	0	2670	2670	2670
	600	0	1340	1340	1340
	1200	0	670	670	670
	.				
	19200	0	670	670	670
HEADER_ACK_TIMER	Wait on ACK to Header	0	50	1000	2000
STX_TIMER	Wait on STX	0	50	10000	20000
DATA_TIMER	Wait on End of Data Block				
	300	0	33340	33340	33340
	600	0	16670	16670	16670
	1200	0	8340	8340	8340
	.				
	19200	0	8340	8340	8340
DATA_ACK_TIMER	Wait on ACK to Data Block	0	50	10000	20000
EOT_TIMER	Wait on EOT	0	50	400	800
DELAY_ACK_TIMER	Delay Slave ACK to master ENQ	10 milliseconds + 4 character times			
WAIT_FOR_CTS	Wait for CTS signal	2 seconds			

The following table defines 4 character times for each data rate selection:

Data Rate	4 Character Times
300	147 milliseconds
600	74 milliseconds
1200	37 milliseconds
2400	19 milliseconds
4800	10 milliseconds
9600	5 milliseconds
19200	3 milliseconds

¹. Value depends upon backoff algorithm detection of bit in CPU ID.
(for example, at 19200 bps, a 0-bit waits 80 milliseconds; a 1-bit waits 120 milliseconds.)

CCM Retries

The CCM Protocol provides a retry mechanism for different parts of the protocol exchange. This mechanism allows one side to retransmit ENQ sequences, headers or data blocks if they were previously NAKed.

The retry mechanism may not be used if an EOT is received for any portion of the protocol exchange. The table below lists the default retry values for each portion of the protocol exchange:

Table 7-11. Retry Values for CCM Protocol

Retry Counter Names	Description	Normal (Default)	Short
ENQ_COUNT	Peer-to-peer or master-slave ENQ Retry Count	32	3
QSEQ_COUNT	Q-Sequence Retry	3	1
HEADER_COUNT	Header Retry Count	3	1
DATA_BLK COUNT	Data Block Retry	3	1

CCM Protocol State Tables

The following state tables illustrate the CCM Protocol for peer, master, and slave devices. Pseudo-code describes the actions to be performed while in a particular state. Separate state tables and actions are provided for peer, master, and slave implementations. The timer and counter names used in the pseudo-code match the timer and counter names listed in the Time-out and Retry Value tables presented above.

CCM Peer State Table

State/ Event	Idle (1)	Wait for ACK to ENQ (2)	Wait for SOH (3)	Wait for Header (4)	Wait for ACK to Header (5)	Wait for ACK to Data (6)	Wait for STX (7)	Wait for Data (8)	Wait for EOT (9)	Wait for Q-RSP (10)	ENQ- Collis- ion (11)
Receive ENQ	Send ACK State (3) A	State (11) B	Send EOT State (1) K	–	–	–	Send EOT State (1) K	–	Send EOT State (1) K	–	Send ACK State (3) A
COMM REQ	Send ENQ State (2) C	–	–	–	–	–	–	–	–	–	–
Receive PLC Data	–	–	–	–	–	Send data State (6) D	–	–	–	–	–
Receive ACK	–	Send Header State (5) E	Send EOT State (1) K	–	State (6/7) F	State (1/6) G	Send EOT State (1) K	–	Send EOT State (1) K	–	Send Header State (5) E
Receive NAK	–	State (1/2) H	Send EOT State (1) K	–	State (1/5) I	State (1/6) J	Send EOT State (1) K	–	Send EOT State (1) K	–	State (1/11) H
Receive EOT	–	State (1) L	State (1) L	–	State (1) L	State (1) L	State (1) L	–	State (1) L	–	State (1) L
Receive SOH	–	Send EOT State (1) K	State (4) Q	–	Send EOT State (1) K	Send EOT State (1) K	Send EOT State (1) K	–	Send EOT State (1) K	–	Send EOT State (1) K
Receive Good Header	–	–	–	Send ACK State(6/7) M	–	–	–	–	–	–	–
Receive STX	–	Send EOT State (1) K	Send EOT State (1) K	–	Send EOT State (1) K	Send EOT State (1) K	State (8) R	–	Send EOT State (1) K	–	Send EOT State (1) K
Receive Charac- ter	–	Send EOT State (1) K	Send EOT State (1) K	–	Send EOT State (1) K	Send EOT State (1) K	Send EOT State (1) K	–	Send EOT State (1) K	–	Send EOT State (1) K
Receive Good Data	–	–	–	–	–	–	–	Send ACK State(7/9) N	–	–	–
Receive Bad Data/ Header	–	Send EOT State (1) K	Send EOT State (1) K	State (1/3) O	Send EOT State (1) K	Send EOT State (1) K	Send EOT State (1) K	State (1/7) P	Send EOT State (1) K	–	Send EOT State (1) K
Receive Good Q-ENQ	–	–	–	–	–	–	–	–	–	–	–
Timeout	–	State (1/2) H	Send EOT State (1) K	Send EOT State (1) K	Send EOT State (1) K	Send EOT State (1) K	Send EOT State (1) K	Send EOT State (1) K	Send EOT State (1) K	–	State (1/2) H

CCM Peer Actions

- A** Zero all counters
Send ACK to ENQ
Start SOH_TIMER
Transition to State (3)
- B** Backoff = TRUE
Transition to State (11)
- C** Zero all counters
Send ENQ
Start ENQ_ACK_TIMER
Transition to State (2)
- D** Zero DATA_BLK_COUNT
Send Data Block
Start DATA_ACK_TIMER
Remain in State (6)
- E** Send Header
Start HEADER_ACK_TIMER
Transition to State (5)
- F** If direction is "read"
Transition to State (7)
Else {
Get data from PLC
memory
Send data block
Start
DATA_ACK_TIMER
Transition to State (6)
}
- G** If last block {
Send EOT
Transition to State (1)
}
Else Remain in State (6)
- H** If ENQ_COUNT <= 32 {
Increment ENQ_COUNT
Send ENQ
Start ENQ_ACK_TIMER
Transition to State (2)
}
Else {
Send EOT
Transition to State (1)
}
- I** If HEADER_COUNT <= 3 {
Increment
HEADER_COUNT
Send Header
Start
HEADER_ACK_TIMER
Remain in State (5)
}
Else {
Send EOT
Transition to State (1)
}
- J** If DATA_BLK_COUNT <= 3 {
Increment
DATA_BLK_COUNT
Send data block
Start
DATA_ACK_TIMER
Remain in State (6)
}
Else {
Send EOT
Transition to State (1)
}
- K** Send EOT
Transition to State (1)
- L** Transition to State (1)
- M** Send ACK
If "read data" {
Start STX_TIMER
Transition to State (7)
}
Else "write data" {
Get PLC Data
Send Data Block
Start
DATA_ACK_TIMER
Transition to State (6)
}
- N** Send Data to PLC
Send ACK to Data Block
If last_block {
Start EOT_TIMER
Transition to State (9)
}
Else {
Start STX_TIMER
Transition to State (7)
}
- O** If HEADER_COUNT <= 3 {
Increment
HEADER_COUNT
Send NAK
Start SOH_TIMER
Transition to State (3)
}
Else {
Send EOT
Transition to State (1)
}
- P** If DATA_BLK_COUNT <= 3 {
Increment
DATA_BLK_COUNT
Send NAK to bad block
Start STX_TIMER
Transition to State (7)
}
Else {
Send EOT
Transition to State (1)
}
- Q** Start HEADER_TIMER
Transition to State (4)
- R** Start DATA_TIMER
Transition to State (8)

CCM Master State Table

State/ Event	Idle (1)	Wait for ACK to ENQ (2)	Wait for SOH (3)	Wait for Head- er (4)	Wait for ACK to Header (5)	Wait for ACK to Data (6)	Wait for STX (7)	Wait for Data (8)	Wait for EOT (9)	Wait for Q-RSP (10)	ENQ- Colli- sion (11)
Receive ENQ	-	-	-	-	-	-	-	-	-	-	-
COMM REQ	Send ENQ State(2/10) A	-	-	-	-	-	-	-	-	-	-
Receive PLC Data	-	-	-	-	-	Send data State (6) B	-	-	-	-	-
Receive ACK	-	Send Header State (5) C	-	-	State (6/7) D	State (1/6) E	Send EOT State (1) I	-	Send EOT State (1) I	-	-
Receive NAK	-	State (1/2) F	-	-	State (1/5) G	State (1/6) H	Send EOT State (1) I	-	Send EOT State (1) I	-	-
Receive EOT	-	Send EOT State (1) I	-	-	Send EOT State (1) I	Send EOT State (1) I	Send EOT State (1) I	-	Send EOT State (1) I	-	-
Receive SOH	-	Send EOT State (1) I	-	-	Send EOT State (1) I	Send EOT State (1) I	Send EOT State (1) I	-	Send EOT State (1) I	-	-
Receive Good Header	-	-	-	-	-	-	-	-	-	-	-
Receive STX	-	Send EOT State (1) I	-	-	Send EOT State (1) I	Send EOT State (1) I	State (8) N	-	Send EOT State (1) I	-	-
Receive Char- acter	-	Send EOT State (1) I	-	-	Send EOT State (1) I	Send EOT State (1) I	Send EOT State (1) I	-	Send EOT State (1) I	-	-
Receive Good Data	-	-	-	-	-	-	-	Send ACK State(7/9) K	-	State (1) J	-
Receive Bad Data/ Header	-	Send EOT State (1) I	-	-	Send EOT State (1) I	Send EOT State (1) I	Send EOT State (1) I	State (1/7) L	Send EOT State (1) I	State (1/10) M	-
Receive Good Q-ENQ	-	-	-	-	-	-	-	-	-	-	-
Time- out	-	State (1/2) F	-	-	Send EOT State (1) I	Send EOT State (1) I	Send EOT State (1) I	Send EOT State (1) I	Send EOT State (1) I	State (1/10) M	-

CCM Master Actions

- A** Zero counters
 If Q-seq {
 Send Q-ENQ-seq
 Start ENQ_ACK_TIMER
 Transition to State (10)
 }
 Else {
 Send Master-ENQ
 Start ENQ_ACK_TIMER
 Transition to State (2)
 }
- B** Zero DATA_BLK_COUNT
 Send Data Block
 Start DATA_ACK_TIMER
 Remain in State (6)
- C** Send Header
 Start HEADER_ACK_TIMER
 Transition to State (5)
- D** If direction is "read"
 Transition to State (7)
 Else "write" {
 Get data from PLC
 memory
 Send data block
 Start
 DATA_ACK_TIMER
 Transition to State (6)
 }
- E** If last block {
 Send EOT
 Transition to State (1)
 }
 Else Remain in State (6)
- F** If ENQ_COUNT <= 32 {
 Increment ENQ_COUNT
 Send Master-ENQ
 Start ENQ_ACK_TIMER
 Remain in State (2)
 }
 Else {
 Send EOT
 Transition to State (1)
 }
- G** If HEADER_COUNT <= 3 {
 Increment
 HEADER_COUNT
 Send Header
 Start
 HEADER_ACK_TIMER
 Remain in State (5)
 }
 Else {
 Send EOT
 Transition to State (1)
 }
- H** If DATA_BLK_COUNT <= 3 {
 Increment
 DATA_BLK_COUNT
 Send data block
 Start
 DATA_ACK_TIMER
 Remain in State (6)
 }
 Else {
 Send EOT
 Transition to State (1)
 }
- I** Send EOT
 Transition to State (1)
- J** Transition to State (1)
- K** Send Data to PLC
 Send ACK to Data Block
 If last_block {
 Start EOT_TIMER
 Transition to State (9)
 }
 Else {
 Start STX_TIMER
 Transition to State (7)
 }
- L** If DATA_BLK_COUNT <= 3 {
 Increment
 DATA_BLK_COUNT
 Send NAK to bad block
 Start STX_TIMER
 Transition to State (7)
 }
 Else {
 Send EOT
 Transition to State (1)
 }
- M** If QSEQ_COUNT <= 3 {
 Increment QSEQ_COUNT
 Send Q-ENQ-seq
 Start ENQ_ACK_TIMER
 Remain in State (10)
 }
 Else {
 Transition to State (1)
 }
- N** Start DATA_TIMER
 Transition to State (8)

CCM Slave State Table

State/ Event	Idle (1)	Wait for ACK to ENQ (2)	Wait for SOH (3)	Wait for Header (4)	Wait for ACK to Header (5)	Wait for ACK to Data (6)	Wait for STX (7)	Wait for- Data (8)	Wait for EOT (9)	Wait for Q-RSP (10)	ENQ- Collis- ion (11)
Receive ENQ	Send ACK State (3) A	–	Send EOT State (1) E	–	–	–	Send EOT State (1) E	–	Send EOT State (1) E	–	–
COMM REQ	–	–	–	–	–	–	–	–	–	–	–
Receive PLC Data	–	–	–	–	–	Send data State (6) B	–	–	–	–	–
Receive ACK	–	–	Send EOT State (1) E	–	–	State (1/6) C	Send EOT State (1) E	–	Send EOT State (1) E	–	–
Receive NAK	–	–	Send EOT State (1) E	–	–	State (1/6) D	Send EOT State (1) E	–	Send EOT State (1) E	–	–
Receive EOT	–	–	State (1) F	–	–	State (1) F	State (1) F	–	State (1) F	–	–
Receive SOH	–	–	State (4) L	–	–	Send EOT State (1) E	Send EOT State (1) E	–	Send EOT State (1) E	–	–
Receive Good Header	–	–	–	Send ACK State(6/7) G	–	–	–	–	–	–	–
Receive STX	–	–	Send EOT State (1) E	–	–	Send EOT State (1) E	State (8) M	–	Send EOT State (1) E	–	–
Receive Char- acter	–	–	Send EOT State (1) E	–	–	Send EOT State (1) E	Send EOT State (1) E	–	Send EOT State (1) E	–	–
Receive Good Data	–	–	–	–	–	–	–	Send ACK State(7/9) H	–	–	–
Receive Bad Data/ Header	–	–	Send EOT State (1) E	State (1/3) I	–	Send EOT State (1) E	Send EOT State (1) E	State (1/7) J	Send EOT State (1) E	–	–
Receive Good Q-ENQ	Send Q-RSP State (1) K	–	–	–	–	–	–	–	–	–	–
Time- out	–	–	Send EOT State (1) E	Send EOT State (1) E	–	Send EOT State (1) E	Send EOT State (1) E	Send EOT State (1) E	Send EOT State (1) E	–	–

CCM Slave Actions

- A** DO_ACK=1
 Start DELAY_ACK_TIMER
 While DELAY_ACK_TIMER != 0 {
 If char received {
 DELAY_ACK_TIMER = 0
 DO_ACK = 0
 Remain in State (1)
 }
 }
 If (DO_ACK == 1) {
 Send 3-char ACK to ENQ
 Start SOH_TIMER
 Transition to State (3)
 }
- B** Zero DATA_BLK_COUNT
 Send Data Block
 Start DATA_ACK_TIMER
 Remain in State (6)
- C** If last block {
 Send EOT
 Transition to State (1)
 }
 Else wait for PLC data {
 Remain in State (6)
 }
- D** If DATA_BLK_COUNT <= 3 {
 Increment
 DATA_BLK_COUNT
 Send Data Block
 Start
 DATA_ACK_TIMER
 Remain in State (6)
 }
 Else {
 Send EOT
 Transition to State (1)
 }
- E** Send EOT
 Transition to State (1)
- F** Transition to State (1)
- G** Send ACK
 If "read data" {
 Start STX_TIMER
 Transition to State (7)
 }
 Else "write data" {
 Get PLC data
 Send Data Block
 Start
 DATA_ACK_TIMER
 Transition to State (6)
 }
- H** Send Data to PLC
 Send ACK to Data Block
 If last-block {
 Start EOT_TIMER
 Transition to State (9)
 }
 Else {
 Start STX_TIMER
 Transition to State (7)
 }
- I** If HEADER_COUNT <= 3 {
 Increment
 HEADER_COUNT
 Send NAK
 Start SOH_TIMER
 Transition to State (3)
 }
 Else {
 Send EOT
 Transition to State (1)
 }
- J** If DATA_BLK_COUNT <= 3 {
 Increment
 DATA_BLK_COUNT
 Send NAK to bad block
 Start STX_TIMER
 Transition to State (7)
 }
 Else {
 Send EOT
 Transition to State (1)
 }
- K** SEND_QRSP = 1
 Start T1
 While T1 != 0 {
 If char received {
 T1 = 0
 SEND_QRSP = 0
 Remain in State (1)
 }
 }
 If (SEND_QRSP == 1) {
 Send Response
 Remain in State (1)
 }
- L** Start HEADER_TIMER
 Transition to State (4)
- M** Start DATA_TIMER
 Transition to State (8)

Section 2: RTU Protocol

This section describes the Remote Terminal Unit (RTU) serial communications protocol.

Introduction

Since the Series 90 CPUs and CMM modules discussed in this manual can only serve as RTU slave devices, this section discusses the slave implementation of the RTU protocol.

RTU protocol is a query-response protocol used for communication between the RTU device and a host computer which is capable of communicating using RTU protocol. The host computer is the master device and it transmits a query to a RTU slave which responds to the master. The RTU device, as an RTU slave, cannot query; it can only respond to the master.

The RTU data transferred consists of 8-bit binary characters with an optional parity bit. No control characters are added to the data block; however, an error check (Cyclic Redundancy Check) is included as the final field of each query and response to ensure accurate transmission of data.

Message Format

The general formats for RTU message transfers are shown below:

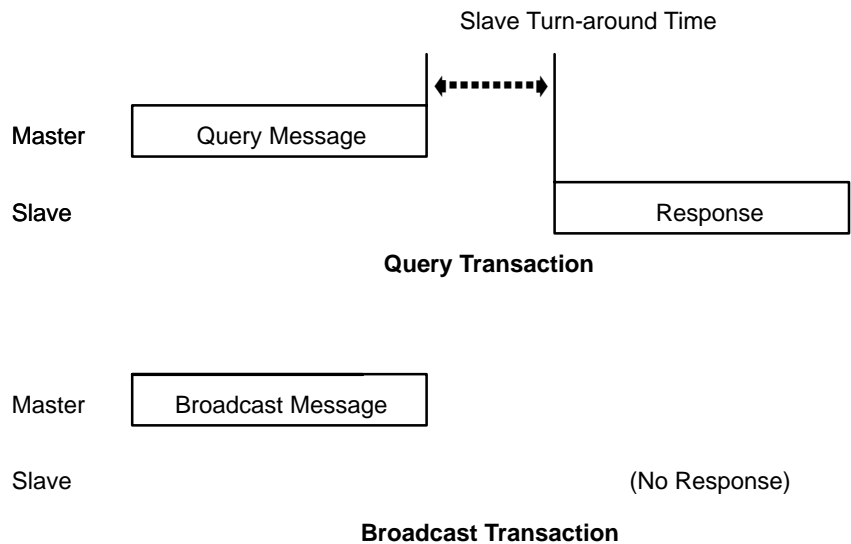


Figure 7-9. RTU Message Transfers

A distinction is made between two communicating devices. The device which initiates a data transfer is called the master and the other device is called the slave. The Series 90 Serial Communications Modules (CMM), Series 90 Micro PLCs, and CPUs 351, 352, and 363 can only serve as RTU slaves (see Chapter 3 to determine which versions of these products support RTU protocol).

The master device begins a data transfer by sending a query or broadcast request message. A slave completes that data transfer by sending a response message if the master sent a query message addressed to it. No response message is sent when the master sends a broadcast request. The time between the end of a query and the beginning of the response to that query is called the slave turn-around time.

The turnaround time illustrated above will vary depending on the query, the activity on the other port, and the activity of the PLC application program. A value of 500 ms can be used as a reasonable worst-case estimate.

Message Types

The RTU protocol has four message types: query, normal response, error response, and broadcast.

Query

The master sends a message addressed to a single slave.

Normal Response

After the slave performs the function requested by the query, it sends back a normal response for that function. This indicates that the request was successful.

Error Response

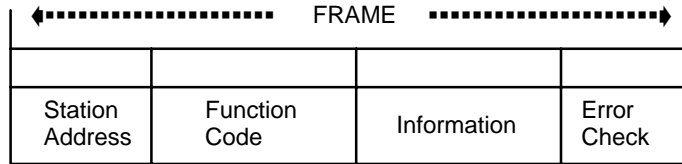
The slave receives the query, but for some reason it cannot perform the requested function. The slave sends back an error response which indicates the reason the request could not be processed. (No error message will be sent for certain types of errors. For more information see section, “Communication Errors”).

Broadcast

The master sends a message addressed to all of the slaves by using address 0. All slaves that receive the broadcast message perform the requested function. This transaction is ended by a time-out within the master.

Message Fields

The message fields for a typical message are shown in the figure below, and are explained in the following sections.



Station Address

The station address is the address of the slave station selected for this data transfer. It is one byte in length and has a value from 0 to 247 inclusive. An address of 0 selects all slave stations, and indicates that this is a broadcast message. An address from 1 to 247 selects a slave station with that station address.

Function Code

The function code identifies the command being issued to the station. It is one byte in length and is defined for the values 0 to 255 as follows:

Function Code	Description
0	Illegal Function
1	Read Output Table
2	Read Input Table
3	Read Registers
4	Read Analog Input
5	Force Single Output
6	Preset Single Register
7	Read Exception Status
8	Loopback Maintenance
9-14	Unsupported Function
15	Force Multiple Outputs
16	Preset Multiple Registers
17	Report Device Type
18-66	Unsupported Function
67	Read Scratch Pad Memory
68-127	Unsupported Function
128-255	Reserved for Exception Responses

Information Fields

All message fields, other than the Station Address field, Function Code field, and Error Check field are called, generically, “information” fields. Information fields contain the additional information required to specify or respond to a requested function. Different types of messages have different types or numbers of information fields. (Details on information fields for each message type and function code are found in the section, “Message Descriptions.”) Some messages (Message 07 Query, and Message 17 Query) do not have information fields.

Examples –As shown in the following figure, the information fields for message *READ OUTPUT TABLE (01) Query* consist of the Starting Point No. field and Number of Points field. The information fields for message *READ OUTPUT TABLE (01) Response* consist of the Byte Count field and Data field.

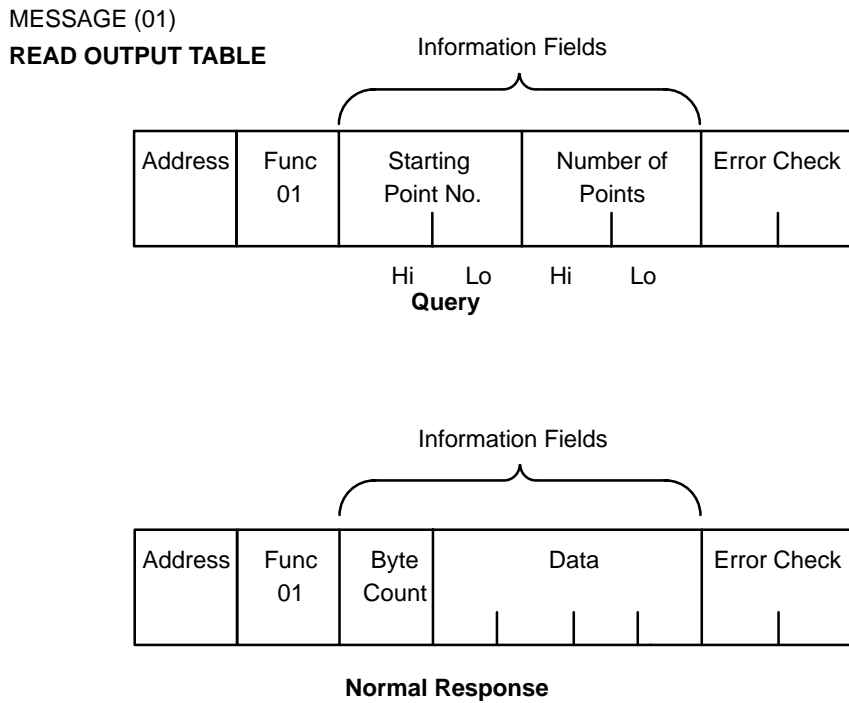


Figure 7-10. Information Field Examples

Some information fields includes entries for the range of data to be accessed in the RTU Slave.

It is important to note that the data addresses are 0-based.

That means you will need to subtract 1 from the actual address when specifying it in the RTU message. For message (01) *READ OUTPUT TABLE Query*, used in the example above, you would specify a starting data address in the Starting Point No. field. To specify %Q0001 as the starting address, you would place the address %Q0000 in this field. Also, the value you place in the Number of Points field would determine how many %Q bits will be read, starting with address %Q0001. For example:

- Starting Point No. field = %Q0007, so the starting address is %Q0008
- Number of Points field = 16 (0010h), so addresses %Q0008 through %Q0023 will be read

Error Check Field

The error check field is two bytes in length and contains a cyclic redundancy check (CRC-16) code. Its value is a function of the contents of the station address, function code, and information field. The details of generating the CRC-16 code are in the section, Cyclic Redundancy Check (CRC). Note that the information field is variable in length. In order to properly generate the CRC-16 code, the length of frame must be determined. See section, Calculating the Length of Frame, to calculate the length of a frame for each of the defined function codes.

Message Length

Message length varies with the type of message and amount of data to be sent. Information for determining message length for individual messages is found in the section “Message Descriptions” later in this chapter.

Character Format

A message is sent as a series of characters. Each byte in a message is transmitted as a character. The illustration below shows the character format. A character consists of a start bit (0), eight data bits, an optional parity bit, and one stop bit (1). Between characters the line is held in the 1 state.

		MSB		Data Bits						LSB	
10	9	8	7	6	5	4	3	2	1	0	
Stop	Parity (optional)									Start	

Message Termination

Each station monitors the time between characters. When a period of three character times elapses without the reception of a character, the end of a message is assumed. The reception of the next character is assumed to be the beginning of a new message.

The end of a frame occurs when the first of the following two events occurs:

- The number of characters received for the frame is equal to the calculated length of the frame.
- A length of 3 character times elapses without the reception of a character.

Timeout Usage

Timeouts are used on the serial link for error detection, error recovery, and to prevent the missing of the end of messages and message sequences. Note that although the module allows up to three character transmission times between each character in a message that it receives, there is no more than half a character time between each character in a message that the module transmits.

After sending a query message, the master should wait approximately 500 milliseconds before assuming that the slave did not respond to its request.

Cyclic Redundancy Check (CRC)

The Cyclic Redundancy Check (CRC) is one of the most effective systems for checking errors. The CRC consists of 2 check characters generated at the transmitter and added at the end of the transmitted data characters. Using the same method, the receiver generates its own CRC for the incoming data and compares it to the CRC sent by the transmitter to ensure proper transmission.

A complete mathematic derivation for the CRC will not be given in this section. This information can be found in a number of texts on data communications. The essential steps which should be understood in calculating the CRC are as follows:

- The data bits which make up the message are multiplied by the number of bits in the CRC.
- The resulting product is then divided by the generating polynomial (using modulo 2 with no carries). The CRC is the remainder of this division.
- Disregard the quotient and add the remainder (CRC) to the data bits and transmit the message with CRC.
- The receiver then divides the message plus CRC by the generating polynomial and if the remainder is 0, the transmission was transmitted without error.

A generating polynomial is expressed algebraically as a string of terms in powers of X such as $X^3 + X^2 + X^0$ (or 1) which can in turn be expressed as the binary number 1101. A generating polynomial could be any length and contain any pattern of 1s and 0s as long as both the transmitter and receiver use the same value. For optimum error detection, however, certain standard generating polynomials have been developed. RTU protocol uses the polynomial $X^{16} + X^{15} + X^2 + 1$ which in binary is 1 1000 0000 0000 0101. The CRC this polynomial generates is known as CRC-16.

The discussion above can be implemented in hardware or software. One hardware implementation involves constructing a multi-section shift register based on the generating polynomial.

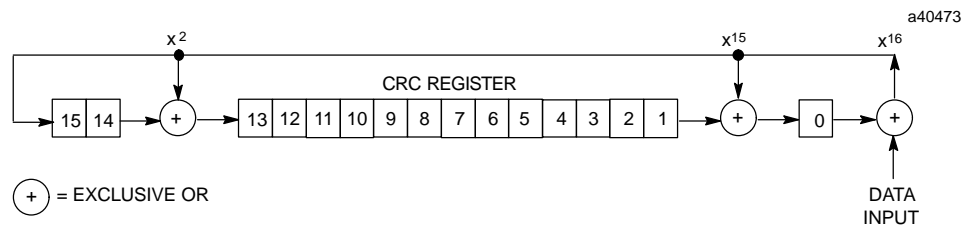


Figure 7-11. Cyclic Redundancy Check (CRC) Register

To generate the CRC, the message data bits are fed to the shift register one at a time. The CRC register contains a preset value. As each data bit is presented to the shift register, the bits are shifted to the right. The LSB is XORed with the data bit and the result is: XORed with the old contents of bit 1 (the result placed in bit 0), XORed with the old contents of bit 14 (and the result placed in bit 13), and finally, it is shifted into bit 15. This process is repeated until all data bits in a message have been processed. Software implementation of the CRC-16 is explained in the next section.

Calculating the CRC-16

The pseudo code for calculation of the CRC-16 is given below.

```

Preset byte count for data to be sent.
Initialize the 16-bit remainder (CRC) register to all ones.
XOR the first 8-bit data byte with the high order byte of the
    16-bit CRC register. The result is the current CRC.
INIT SHIFT: Initialize the shift counter to 0.
SHIFT:      Shift the current CRC register 1 bit to the right.
            Increment shift count.
            Is the bit shifted out to the right (flag) a 1 or a 0?
                If it is a 1, XOR the generating polynomial with the current CRC.
                If it is a 0, continue.
            Is shift counter equal to 8?
                If NO, return to SHIFT.
                If YES, increment byte count.
            Is byte count greater than the data length?
                If NO, XOR the next 8-bit data byte with the current CRC
                    and go to INIT SHIFT.
                If YES, add current CRC to end of data message
                    for transmission and exit.
    
```

When the message is transmitted, the receiver will perform the same CRC operation on all the data bits and the transmitted CRC. If the information is received correctly the resulting remainder (receiver CRC) will be 0.

Example CRC-16 Calculation

The RTU device transmits the rightmost byte (of registers or discrete data) first. The first bit of the CRC-16 transmitted is the MSB. Therefore, in the example the MSB of the CRC polynomial is to the extreme right. The X^{16} term is dropped because it affects only the quotient (which is discarded) and not the remainder (the CRC characters). The generating polynomial is therefore 1010 0000 0000 0001. The remainder is initialized to all 1s.

As an example we will calculate the CRC-16 for RTU message, Read Exception Status 07). The message format is as follows:

Address	Function	CRC-16
01	07	

In this example we are querying device number 1 (address 01). We need to know the amount of data to be transmitted and this information can be found for every message type in the section, Calculating the Length of Frame. For this message the data length is 2 bytes.

TRANSMITTER CRC-16 ALGORITHM					RECEIVER ¹ CRC-16 ALGORITHM						
	MSB ²		LSB ²	Flag	MSB ²		LSB ²	Flag			
Initial Remainder	1111	1111	1111	1111	Rcvr CRC after data	1110	0010	0100	0001		
XOR 1st data byte	0000	0000	0000	0001	XOR 1st byte Trns CRC	0000	0000	0100	0001		
Current CRC	1111	1111	1111	1110	Current CRC	1110	0010	0000	0000		
Shift 1	0111	1111	1111	1111	0	Shift 1	0111	0001	0000	0000	0
Shift 2	0011	1111	1111	1111	1	Shift 2	0011	1000	1000	0000	0
XOR Gen. Polynomial	1010	0000	0000	0001	Shift 3	0001	1100	0100	0000	0	
Current CRC	1001	1111	1111	1110	Shift 4	0000	1110	0010	0000	0	
Shift 3	0100	1111	1111	1111	0	Shift 5	0000	0111	0001	0000	0
Shift 4	0010	0111	1111	1111	1	Shift 6	0000	0011	1000	1000	0
XOR Gen. Polynomial	1010	0000	0000	0001	Shift 7	0000	0001	1100	0100	0	
Current CRC	1000	0111	1111	1110	Shift 8	0000	0000	1110	0010	0	
Shift 5	0100	0011	1111	1111	0	XOR 2nd byte trns CRC	0000	0000	1110	0010	
Shift 6	0010	0001	1111	1111	1	Current CRC	0000	0000	0000	0000	
XOR Gen. Polynomial	1010	0000	0000	0001	Shift 1-8 yields	0000	0000	0000	0000		
Current CRC	1000	0001	1111	1110		ALL ZEROES FOR RECEIVER					
Shift 7	0100	0000	1111	1111	0	FINAL CRC-16 INDICATES					
Shift 8	0010	0000	0111	1111	1	TRANSMISSION CORRECT!					
XOR Gen. Polynomial	1010	0000	0000	0001							
Current CRC	1000	0000	0111	1110							
XOR 2nd data byte	0000	0000	0000	0111							
Current CRC	1000	0000	0111	1001							
Shift 1	0100	0000	0011	1100	1						
XOR Gen. Polynomial	1010	0000	0000	0001							
Current CRC	1110	0000	0011	1101							
Shift 2	0111	0000	0001	1110	1						
XOR Gen. Polynomial	1010	0000	0000	0001							
Current CRC	1101	0000	0001	1111							
Shift 3	0110	1000	0000	1111	1						
XOR Gen. Polynomial	1010	0000	0000	0001							
Current CRC	1100	1000	0000	1110							
Shift 4	0110	0100	0000	0111	0						
Shift 5	0011	0010	0000	0011	1						
XOR Gen. Polynomial	1010	0000	0000	0001							
Current CRC	1001	0010	0000	0010							
Shift 6	0100	1001	0000	0001	0						
Shift 7	0010	0100	1000	0000	1						
XOR Gen. Polynomial	1010	0000	0000	0001							
Current CRC	1000	0100	1000	0001							
Shift 8	0100	0010	0100	0000	1						
XOR Gen. Polynomial	1010	0000	0000	0001							
Transmitted CRC	1110	0010	0100	0001							
	E	2	4	1							

EXAMPLE MESSAGE
Refer to the example of a transmitted message shown below.

¹ As stated before, the receiver processes incoming data through the same CRC algorithm as the transmitter. The example for the receiver starts at the point after all the data bits but not the transmitted CRC have been received correctly. Therefore, the receiver CRC should be equal to the transmitted CRC at this point. When this occurs, the output of the CRC algorithm will be zero indicating that the transmission is correct.

The transmitted message with CRC would then be:

Address	Function	CRC-16	
01	07	41	E2

² The MSB and LSB references are to the data bytes only, *not* the CRC bytes. The CRC MSB and LSB order are the reverse of the data byte order.

Calculating the Length of Frame

To generate the CRC-16 for any message, the message length must be known. The length for all types of messages can be determined from the table below.

Table 7-12. RTU Message Length

Function Code And Name		Query or Broadcast Message Length Less CRC Code	Response Message Length Less CRC Code
0		Not Defined	Not Defined
1	Read Output Table	6	3 + 3rd byte ¹
2	Read Input Table	6	3 + 3rd byte ¹
3	Read Registers	6	3 + 3rd byte ¹
4	Read Analog Input	6	3 + 3rd byte ¹
5	Force Single Output	6	6
6	Preset Single Register	6	6
7	Read Exception Status	2	3
8	Loopback/Maintenance	6	6
9-14		Not Defined	Not Defined
15	Force Multiple Outputs	7 + 7th byte ¹	6
16	Preset Multiple Registers	7 + 7th byte ¹	6
17	Report Device Type	2	8
18-66		Not Defined	Not Defined
67	Read Scratch Pad	6	3 + 3rd byte ¹
68-127		Not Defined	Not Defined
128-255		Not Defined	3

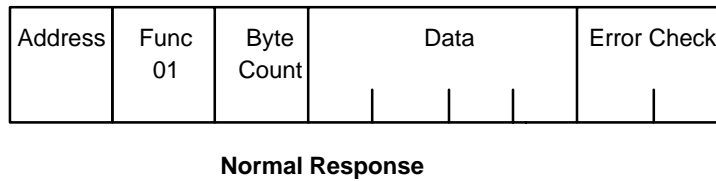
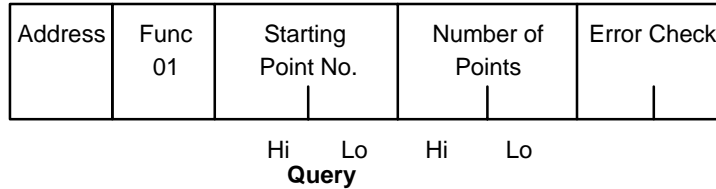
¹ The value of this byte is the number of bytes contained in the data being transmitted.

Message Descriptions

The following pages explain the format and fields for each RTU message.

MESSAGE (01): READ OUTPUT TABLE

FORMAT:



QUERY:

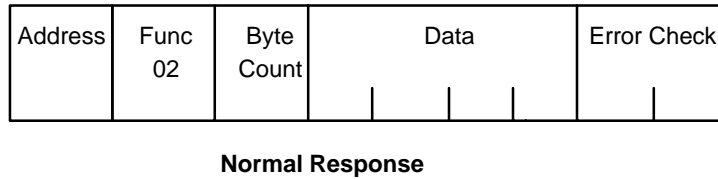
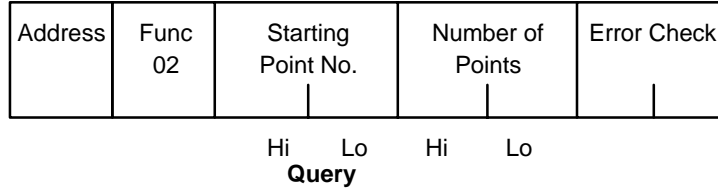
- An address of 0 is not allowed as this cannot be a broadcast request.
- The function code is 01.
- The starting point number is two bytes in length and may be any value less than the highest output point number available in the attached Series 90 CPU. The starting point number is equal to one less than the number of the first output point returned in the normal response to this request.
- The number of points value is two bytes in length. It specifies the number of output points returned in the normal response. The sum of the starting point value and the number of points value must be less than or equal to the highest output point number available in the attached Series 90 CPU. The high order byte of the starting point number and number of bytes fields is sent as the first byte. The low order byte is the second byte in each of these fields.

RESPONSE:

- The byte count is a binary number from 1 to 256 (0 = 256). It is the number of bytes in the normal response following the byte count and preceding the error check.
- The data field of the normal response is packed output status data. Each byte contains 8 output point values. The least significant bit (LSB) of the first byte contains the value of the output point whose number is equal to the starting point number plus one. The values of the output points are ordered by number starting with the LSB of the first byte of the data field and ending with the most significant bit (MSB) of the last byte of the data field. If the number of points is not a multiple of 8, then the last data byte contains zeros in one to seven of its highest order bits.

MESSAGE (02): **READ INPUT TABLE**

FORMAT:



QUERY:

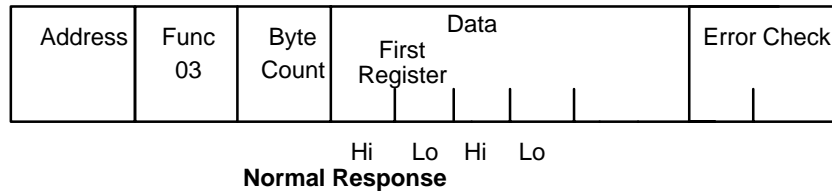
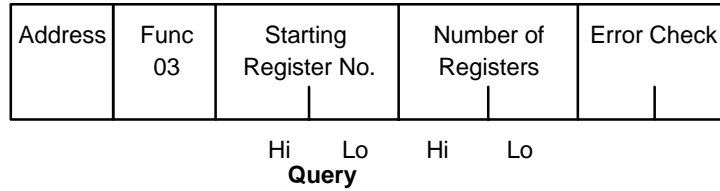
- An address of 0 is not allowed as this cannot be a broadcast request.
- The function code is 02.
- The starting point number is two bytes in length and may be any value less than the highest input point number available in the attached Series 90 CPU. The starting point number is equal to one less than the number of the first input point returned in the normal response to this request.
- The number of points value is two bytes in length. It specifies the number of input points returned in the normal response. The sum of the starting point value and the number of points value must be less than or equal to the highest input point number available in the attached Series 90 CPU. The high order byte of the starting point number and number of bytes fields is sent as the first byte. The low order byte is the second byte in each of these fields.

RESPONSE:

- The byte count is a binary number from 1 to 256 (0 = 256). It is the number of bytes in the normal response following the byte count and preceding the error check.
- The data field of the normal response is packed input status data. Each byte contains 8 input point values. The least significant bit (LSB) of the first byte contains the value of the input point whose number is equal to the starting point number plus one. The values of the input points are ordered by number starting with the LSB of the first byte of the data field and ending with the most significant bit (MSB) of the last byte of the data field. If the number of points is not a multiple of 8, then the last data byte contains zeros in one to seven of its highest order bits.

MESSAGE (03): **READ REGISTERS**

FORMAT:



QUERY:

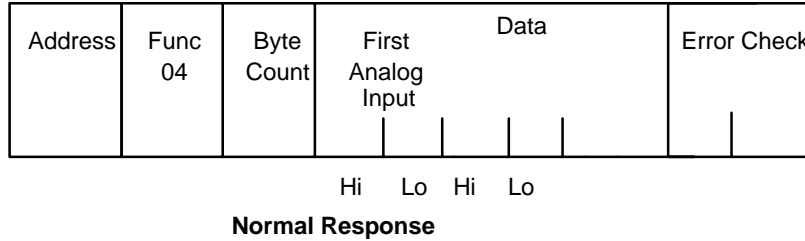
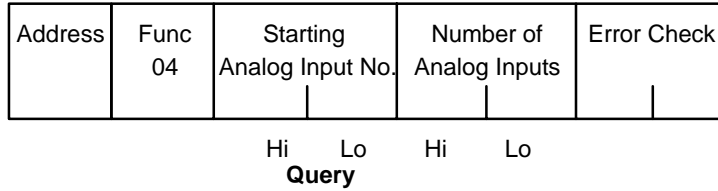
- An address of 0 is not allowed as this request cannot be a broadcast request.
- The function code is equal to 3.
- The starting register number is two bytes in length. The starting register number may be any value less than the highest register number available in the attached Series 90 CPU. It is equal to one less than the number of the first register returned in the normal response to this request.
- The number of registers value is two bytes in length. It must contain a value from 1 to 125 inclusive. The sum of the starting register value and the number of registers value must be less than or equal to the highest register number available in the attached Series 90 CPU. The high order byte of the starting register number and number of registers fields is sent as the first byte in each of these fields. The low order byte is the second byte in each of these fields.

RESPONSE:

- The byte count is a binary number from 2 to 250 inclusive. It is the number of bytes in the normal response following the byte count and preceding the error check. Note that the byte count is equal to two times the number of registers returned in the response. A maximum of 250 bytes (125) registers is set so that the entire response can fit into one 256 byte data block.
- The registers are returned in the data field in order of number with the lowest number register in the first two bytes and the highest number register in the last two bytes of the data field. The number of the first register in the data field is equal to the starting register number plus one. The high order byte is sent before the low order byte of each register.

MESSAGE (04): **READ ANALOG INPUTS**

FORMAT:



QUERY:

- An address of 0 is not allowed as this request cannot be a broadcast request.
- The function code is equal to 4.
- The starting analog input number is two bytes in length. The starting analog input number may be any value less than the highest analog input number available in the attached Series 90 CPU. It is equal to one less than the number of the first analog input returned in the normal response to this request.
- The number of analog inputs value is two bytes in length. It must contain a value from 1 to 125 inclusive. The sum of the starting analog input value and the number of analog inputs value must be less than or equal to the highest analog input number available in the attached Series 90 CPU. The high order byte of the starting analog input number and number of analog input fields is sent as the first byte in each of these fields. The low order byte is the second byte in each of these fields.

RESPONSE:

- The byte count is a binary number from 2 to 250 inclusive. It is the number of bytes in the normal response following the byte count and preceding the error check. Note that the byte count is equal to two times the number of analog inputs returned in the response. A maximum of 250 bytes (125) analog inputs is set so that the entire response can fit into one 256 byte data block.
- The analog inputs are returned in the data field in order of number with the lowest number analog input in the first two bytes and the highest number analog input in the last two bytes of the data field. The number of the first analog input in the data field is equal to the starting analog input number plus one. The high order byte is sent before the low order byte of each analog input.

MESSAGE (05): **FORCE SINGLE OUTPUT**

FORMAT:

Address	Func 05	Point Number	Data	Error Check
			00H	

Hi Lo Hi Lo
Query

Address	Func 05	Point Number	Data	Error Check
			00H	

Hi Lo Hi Lo
Normal Response

QUERY:

- An address of 0 indicates a broadcast request. All slave stations process a broadcast request and no response is sent.
- The function code is equal to 05.
- The point number field is two bytes in length. It may be any value less than the highest output point number available in the attached Series 90 CPU. It is equal to one less than the number of the output point to be forced on or off.
- The first byte of the data field is equal to either 0 or 255 (FFH). The output point specified in the point number field is to be forced off if the first data field byte is equal to 0. It is to be forced on if the first data field byte is equal to 255 (FFH). The second byte of the data field is always equal to zero.

RESPONSE:

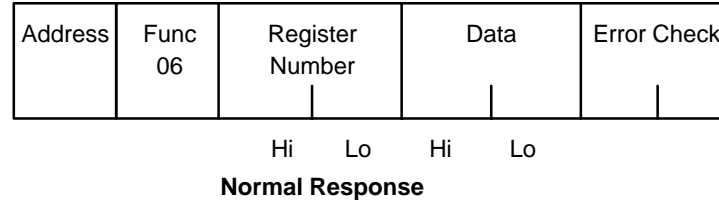
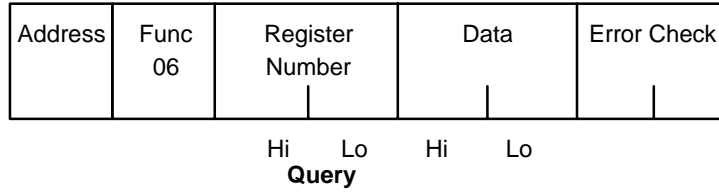
- The normal response to a force single output query is identical to the query.

Note

The force single output request is not an output override command. The output specified in this request is ensured to be forced to the value specified only at the beginning of one sweep of the Series 90 user logic.

MESSAGE (06): **PRESET SINGLE REGISTER**

FORMAT:



QUERY:

- An address 0 indicates a broadcast request. All slave stations process a broadcast request and no response is sent.
- The function code is equal to 06.
- The register number field is two bytes in length. It may be any value less than the highest register available in the attached Series 90 CPU. It is equal to one less than the number of the register to be preset.
- The data field is two bytes in length and contains the value that the register specified by the register number field is to be preset to. The first byte in the data field contains the high order byte of the preset value. The second byte in the data field contains the low order byte.

RESPONSE:

- The normal response to a preset single register query is identical to the query.

MESSAGE (07): **READ EXCEPTION STATUS**

FORMAT:

Address	Func 07	Error Check
---------	------------	-------------

Query

Address	Func 07	Data	Error Check
---------	------------	------	-------------

Normal Response

QUERY:

This query is a short form of request for the purpose of reading the first eight output points.

- An address of zero is not allowed as this cannot be a broadcast request.
- The function code is equal to 07.

RESPONSE:

- The data field of the normal response is one byte in length and contains the states of output points one through eight. The output states are packed in order of number with output point one's state in the least significant bit and output point eight's state in the most significant bit.

MESSAGE (08): **LOOPBACK/MAINTENANCE (GENERAL)**

FORMAT:

Address	Func 08	Diagnostic Code 0, 1, or 4	Data		Error Check
			DATA1	DATA2	

Query

Address	Func 08	Diagnostic Code 0, 1, or 4	Data		Error Check
			DATA1	DATA2	

Normal Response

QUERY:

- The function code is equal to 8.
- The diagnostic code is two bytes in length. The high order byte of the diagnostic code is the first byte sent in the diagnostic code field. The low order byte is the second byte sent. The loopback/maintenance command is defined only for the diagnostic code equal to 0, 1, or 4. All other diagnostic codes are reserved.
- The data field is two bytes in length. The contents of the two data bytes are defined by the value of the diagnostic code.

RESPONSE:

- See descriptions for individual diagnostic codes.

DIAGNOSTIC **Return Query Data** (Loopback/Maintenance)

CODE (00):

- A loopback/maintenance query with a diagnostic code equal to 0 is called a return query data request.
- An address of 0 is not allowed for the return query data request.
- The values of the two data field bytes in the query are arbitrary.
- The normal response is identical to the query.
- The values of the data bytes in the response are equal to the values sent in the query.

DIAGNOSTIC **Initiate Communication Restart** (Loopback/Maintenance)

CODE (01):

A loopback/maintenance request (query or broadcast) with a diagnostic code equal to 1 is called an Initiate Communication Restart request.

- An address of 0 indicates a broadcast request. All slave stations process a broadcast request and no response is sent.

- This request disables the listen-only mode (enables responses to be sent when queries are received so that communications can be restarted).
- The value of the first byte of the data field (DATA1) must be 0 or FF. Any other value will cause an error response to be sent. The value of the second byte of the data field (DATA2) is always equal to 0.
- The normal response to an Initiate Communication Restart query is identical to the query.

DIAGNOSTIC **Force Listen-Only Mode** (Loopback/Maintenance)

CODE (04):

A loopback/maintenance request (query or broadcast) with a diagnostic code equal to 4 is called a Force Listen-Only Mode request.

- An address of 0 indicates a broadcast request. All slave stations process a broadcast request.
- After receiving a Force Listen-Only mode request, the RTU device will go into the listen-only mode, will not perform a requested function, and will not send either normal or error responses to any queries. The listen-only mode is disabled when the RTU device receives an Initiate Communication Restart request or when the RTU device is powered up.
- Both bytes in the data field of a Force Listen-Only Mode request are equal to 0. The RTU device never sends a response to a Force Listen-Only Mode request.

Note

Upon power up, the RTU device disables the listen-only mode and is enabled to continue sending responses to queries.

Operating Note for Message 08

Use with 2–Wire Arrangement

In the CMM modules, if Message 08, with Diagnostic Code 0 or 1 specified, is sent to a port wired in a 2–Wire RTU arrangement, the port will lock into an endless send–receive loop. This is because the query and response messages are identical for these two messages, so the receive logic continues to treat each of its own responses as another query. Message 08, Diagnostic Code 2, does not have this problem since this message does not produce a response. For information on configuring 2–Wire/4–Wire RTU, see the section “2–Wire and 4–Wire RTU RS422/485 Cable Connections” in Chapter 8. **This note does not apply to CPUs 351, 352, and 363.**

MESSAGE (15): **FORCE MULTIPLE OUTPUTS**

FORMAT:

Address	Func 15	Starting Point No.	Number of Points	Byte Count	Data	Error Check
---------	------------	-----------------------	---------------------	---------------	------	-------------

Query

Address	Func 15	Starting Point No.	Number of Points	Error Check
---------	------------	-----------------------	---------------------	-------------

Normal Response

QUERY:

- An address of 0 indicates a broadcast request. All slave stations process a broadcast request and no response is sent.
- The value of the function code is 15.
- The starting point number is two bytes in length and may be any value less than the highest output point number available in the attached Series 90 CPU. The starting point number is equal to one less than the number of the first output point forced by this request.
- The number of points value is two bytes in length. The sum of the starting point number and the number of points value must be less than or equal to the highest output point number available in the attached Series 90 CPU. The high order byte of the starting point number and number of bytes fields is sent as the first byte in each of these fields. The low order byte is the second byte in each of these fields.
- The byte count is a binary number from 1 to 256 (0 = 256). It is the number of bytes in the data field of the force multiple outputs request.
- The data field is packed data containing the values that the outputs specified by the starting point number and the number of points fields are to be forced to. Each byte in the data field contains the values that eight output points are to be forced to. The least significant bit (LSB) of the first byte contains the value that the output point whose number is equal to the starting point number plus one is to be forced to. The values for the output points are ordered by number starting with the LSB of the first byte of the data field and ending with the most significant bit (MSB) of the last byte of the data field. If the number of points is not a multiple of 8, then the last data byte contains zeros in one to seven of its highest order bits.

RESPONSE:

- The description of the fields in the response are covered in the query description.

Note

The force multiple outputs request is not an output override command. The outputs specified in this request are ensured to be forced to the values specified only at the beginning of one sweep of the Series 90 user logic.

MESSAGE (16): **PRESET MULTIPLE REGISTERS**

FORMAT:

Address	Func 16	Starting Register No.	Number of Registers	Byte Count	Data	Error Check
---------	------------	--------------------------	------------------------	---------------	------	-------------

Query

Address	Func 16	Starting Register No.	Number of Registers	Error Check
---------	------------	--------------------------	------------------------	-------------

Normal Response

QUERY:

- An address of 0 indicates a broadcast request. All slave stations process a broadcast request and no response is sent.
- The value of the function code is 16.
- The starting register number is two bytes in length. The starting register number may be any value less than the highest register number available in the attached Series 90 CPU. It is equal to one less than the number of the first register preset by this request.
- The number of registers value is two bytes in length. It must contain a value from 1 to 125 inclusive. The sum of the starting register number and the number of registers value must be less than or equal to the highest register number available in the attached Series 90 CPU. The high order byte of the starting register number and number of registers fields is sent as the first byte in each of these fields. The low order byte is the second byte in each of these fields.
- The byte count field is one byte in length. It is a binary number from 2 to 250 inclusive. It is equal to the number of bytes in the data field of the preset multiple registers request. Note that the byte count is equal to twice the value of the number of registers.
- The registers are returned in the data field in order of number with the lowest number register in the first two bytes and the highest number register in the last two bytes of the data field. The number of the first register in the data field is equal to the starting register number plus one. The high order byte is sent before the low order byte of each register.

RESPONSE:

- The description of the fields in the response are covered in the query description.

MESSAGE (17): **REPORT DEVICE TYPE**

FORMAT:

Address	Func 17	Error Check
---------	------------	-------------

Query

Address	Func 17	Byte Count 5	Device Type 30 or 70	Slave Run Light	Data	Error Check
---------	------------	--------------------	----------------------------	-----------------------	------	-------------

Normal Response

QUERY:

The Report Device Type query is sent by the master to a slave in order to learn what type of programmable control or other computer it is.

- An address of zero is not allowed as this cannot be a broadcast request.
- The function code is equal to 17.

RESPONSE:

- The byte count field is one byte in length and is equal to 5.
- The device type field is one byte in length and is equal to 30 for the Series 90-30 PLC or 70 for the Series 90-70 PLC.
- The slave run light field is one byte in length. The slave run light byte is equal to OFFH if the Series 90 CPU is running. It is equal to 0 if the Series 90 CPU is not running.
- The data field contains three bytes.

Possible responses for the Series 90–30 CPUs		
35 00 00 for CPU331	44 00 00 for CPU350	40 00 00 for CPU360
38 00 00 for CPU340	37 00 00 for CPU351	41 00 00 for CPU363
36 00 00 for CPU341	39 00 00 for CPU352	42 00 00 for CPU364

Possible responses for the Series 90–70 CPUs		
84 00 00 for CFR782	80 00 00 for CPU780	24 00 00 for CPU924
29 00 00 for CFR928	81 00 00 for CPU781	25 00 00 for CPU925
74 00 00 for CGR772	82 00 00 for CPU782	73 00 00 for CPX772
36 00 00 for CGR935	88 00 00 for CPU788	83 00 00 for CPX782
31 00 00 for CPU731	89 00 00 for CPU789	28 00 00 for CPX928
32 00 00 for CPU732	90 00 00 for CPU790	35 00 00 for CPX935
71 00 00 for CPU771	92 00 00 for CPU914	
72 00 00 for CPU772	15 00 00 for CPU915	

MESSAGE (67): **READ SCRATCH PAD MEMORY**

FORMAT:

Address	Func 67	Starting Byte Number	Number of Bytes	Error Check
---------	------------	-------------------------	--------------------	-------------

Query

Address	Func 67	Byte Count	Data	Error Check
---------	------------	---------------	------	-------------

Normal Response

QUERY:

- An address of 0 is not allowed as this cannot be a broadcast request.
- The function code is equal to 67.
- The starting byte number is two bytes in length and may be any value less than or equal to the highest scratch pad memory address available in the attached Series 90 CPU as indicated in the table below. The starting byte number is equal to the address of the first scratch pad memory byte returned in the normal response to this request.
- The number of bytes value is two bytes in length. It specifies the number of scratch pad memory locations (bytes) returned in the normal response. The sum of the starting byte number and the number of bytes values must be less than two plus the highest scratch pad memory address available in the attached Series 90 CPU. The high order byte of the starting byte number and number of bytes fields is sent as the first byte in each of these fields. The low order byte is the second byte in each of the fields.

RESPONSE:

- The byte count is a binary number from 1 to 256 (0 = 256). It is the number of bytes in the data field of the normal response.
- The data field contains the contents of the scratch pad memory requested by the query. The scratch pad memory bytes are sent in order of address. The contents of the scratch pad memory byte whose address is equal to the starting byte number is sent in the first byte of the data field. The contents of the scratch pad memory byte whose address is equal to one less than the sum of the starting byte number and number of bytes values is sent in the last byte of the data field.

RTU Scratch Pad

The entire scratch pad is updated every time an external READ request is received by the CMM. All scratch pad locations are *read only*. The scratch pad is a byte-oriented memory type.

Table 7-13. RTU Scratch Pad Memory Allocation

SP Address	Field Identifier	Bits							
		7	6	5	4	3	2	1	0
00	CPU Run Status	0	0	0	0	See Note (1)			
01	CPU Command Status	Bit pattern same as SP(00)							
02 03	CPU Type	Major ^{2a} (in hexadecimal) Minor ^{2b} (in hexadecimal)							
04-0B	CPU SNP ID	7 ASCII characters + termination character (00h)							
0C 0D	CPU Firmware Revision No.	Major (in BCD) Minor (in BCD)							
0E 0F	CMM Firmware Revision No.	Major Minor							
10-11	Reserved	(00h)							
12 ³	Node Type Identifier	(90-70: 0Ch; 90-30: 0Dh)							
13-15	Reserved	(00h)							
16	RTU Station Address	1-247 (Decimal)							
17	Reserved	(00h)							
18-33	Sizes of Memory Types	See Note (4)							
18-1B	Register Memory	%R size							
1C-1F	Analog Input Table	%AI size							
20-23	Analog Output Table	%AQ size							
24-27	Input Table	%I size							
28-2B	Output Table	%Q size							
2C-2F	Internal Discrete Memory	%M size							
30-33	User Program Code	See Note (5)							
34-FF	Reserved	(00h)							

Scratch Pad Memory Allocation Footnotes

- 1 0000 = Run_Enabled 0100 = Halted
 0001 = Run_Disabled 0101 = Suspended
 0010 = Stopped 0110 = Stopped_IO_Enabled
 0011 = Stopped_Faulted

- 2a PLC CPU Major Type Codes:
 S9070_PLC_CPU 12 (0Ch) Series 90-70 PLC CPU
 S9030_PLC_CPU 16 (10h) Series 90-30 PLC CPU

- 2b Series 90-70 Minor Types for CPU:

Possible responses for the Series 90–30 CPUs		
35 00 00 for CPU331	44 00 00 for CPU350	40 00 00 for CPU360
38 00 00 for CPU340	37 00 00 for CPU351	41 00 00 for CPU363
36 00 00 for CPU341	39 00 00 for CPU352	42 00 00 for CPU364

Possible responses for the Series 90–70 CPUs		
84 00 00 for CFR782	80 00 00 for CPU780	24 00 00 for CPU924
29 00 00 for CFR928	81 00 00 for CPU781	25 00 00 for CPU925
74 00 00 for CGR772	82 00 00 for CPU782	73 00 00 for CPX772
36 00 00 for CGR935	88 00 00 for CPU788	83 00 00 for CPX782
31 00 00 for CPU731	89 00 00 for CPU789	28 00 00 for CPX928
32 00 00 for CPU732	90 00 00 for CPU790	35 00 00 for CPX935
71 00 00 for CPU771	92 00 00 for CPU914	
72 00 00 for CPU772	15 00 00 for CPU915	

- 3 Located in the same position as in the Series Six scratch pad. Series One, Three and Five PLC users, who need to determine the node type, should note this location and make driver modifications where necessary.

- 4 Scratch Pad Bytes 18h-33h:

Bytes	Length of Memory	Size Returned In
18-1B	%R Register Memory	Words
1C-1F	%AI Analog Input Table	Words
20-23	%AQ Analog Output Table	Words
24-27	%I Input Table	Points (Bits)
28-2B	%Q Output Table	Points (Bits)
2C-2F	%M Internal Discrete Memory	Points (Bits)
30-33	User Program Code	Bytes

Note: Four bytes hold the hexadecimal length of each memory type with the most significant word reserved for future expansion. For example, the CPU 731 default register memory size of 1024 words (0400h) would be returned in the following format:

Word	Least Significant		Most Significant	
SP Byte	18	19	1A	1B
contains	00	04	00	00

- 5 The amount of program memory occupied by the logic program. Also appears on the Logicmaster 90 PLC Memory Usage screen in the User Program field.

Communication Errors

Serial link communication errors are divided into three groups:

- Invalid Query Message
- Serial Link Time Outs
- Invalid Transaction

Invalid Query Message

When the communications module receives a query addressed to itself, but cannot process the query, it sends one of the following error responses:

	Subcode
Invalid Function Code	1
Invalid Address Field	2
Invalid Data Field	3
Query Processing Failure	4

The format for an error response to a query is as follows:

Address	Exception Func	Error Subcode	Error Check

The address reflects the address provided on the original request. The exception function code is equal to the sum of the function code of the query plus 128. The error subcode is equal to 1, 2, 3, or 4. The value of the subcode indicates the reason the query could not be processed.

Invalid Function Code Error Response (1)

An error response with a subcode of 1 is called an invalid function code error response. This response is sent by a slave if it receives a query whose function code is not equal to 1 through 8, 15, 16, 17, or 67.

Invalid Address Error Response (2)

An error response with a subcode of 2 is called an invalid address error response. This error response is sent in the following cases:

1. The starting point number and number of points fields specify output points or input points that are not available in the attached Series 90 CPU (returned for function codes 1, 2, 15).
2. The starting register number and number of registers fields specify registers that are not available in the attached Series 90 CPU (returned for function codes 4, 16).
3. The starting analog input number and analog input number fields specify analog inputs that are not available in the attached Series 90 CPU (returned for function code 3).
4. The point number field specifies an output point not available in the attached Series 90 CPU (returned for function code 5).
5. The register number field specifies a register not available in the attached Series 90 CPU (returned for function code 6).

6. The analog input number field specifies an analog input number not available in the attached Series 90 CPU (returned for function code 3).
7. The diagnostic code is not equal to 0, 1, or 4 (returned for function code 8).
8. The starting byte number and number of bytes fields specify a scratch pad memory address that is not available in the attached Series 90 CPU (returned for function code 67).

Invalid Data Value Error Response (3)

An error response with a subcode of 3 is called an invalid data value error response. This response is sent in the following cases:

The first byte of the data field is not equal to 0 or 255 (FFh) or the second byte of the data field is not equal to 0 for the Force Single Output Request (Function Code 5) or the initiate communication restart request (function code 8, diagnostic code 1). The two bytes of the data field are not both equal to 0 for the Force Listen-Only request (Function Code 8, Diagnostic Code 4).

This response is also sent when the data length specified by the memory address field is longer than the data received.

Query Processing Failure Error Response (4)

An error response with a subcode of 4 is called a query processing failure response. This error response is sent by a RTU device if it properly receives a query but communication between the associated Series 90 CPU and the CMM module fails.

Serial Link Timeout

The only cause for a RTU device to timeout is if an interruption to a data stream of 3 character times occurs while a message is being received. If this occurs the message is considered to have terminated and no response will be sent to the master. There are certain timing considerations due to the characteristics of the slave that should be taken into account by the master.

After sending a query message, the master should wait approximately 500 milliseconds before assuming that the slave did not respond to its request.

Invalid Transactions

If an error occurs during transmission that does not fall into the category of an invalid query message or a serial link time-out, it is known as an invalid transaction. Types of errors causing an invalid transaction include:

- Bad CRC.
- The data length specified by the memory address field is longer than the data received.
- Framing or overrun errors.
- Parity errors.

If an error in this category occurs when a message is received by the slave serial port, the slave does not return an error message; rather the slave ignores the incoming message, treating the message as though it was not intended for it.

Section 3: SNP Protocol

This section contains a simplified description of the SNP Protocol for users of the SNP master and slave implementations on the CMM module. Topics covered include: protocol flow, master-slave operation, protocol timing, and Datagrams operation. The SNP Protocol transfers data using the asynchronous data format. For background information on serial data transmission and the asynchronous format, refer to Appendix E, *The Serial Line Interface*.

For a more detailed description of the SNP Protocol, GFK-0529, *SNP Communications Reference Manual* is available from GE Intelligent Platforms. That manual completely describes the format of each SNP message, with examples of typical service requests and responses.

This section covers the following topics:

- Overview of SNP Protocol
- SNP Master-Slave Operation
- SNP Timers
- SNP Datagrams

Overview of SNP Protocol

The SNP Protocol is a serial communications protocol developed by GE for communication between PLCs and related equipment. The protocol is a set of rules that establish and maintain a communication link between SNP master and SNP slave devices.

SNP is a half-duplex protocol that uses the RS-485 (enhanced version of RS-422) and RS-232 electrical interfaces. The built-in SNP slave device in each Series 90 PLC CPU uses the RS-485 interface. The CMM module provides both RS-485 and RS-232 interfaces. (See Chapter 3 for more information on the CMM electrical interface.) SNP devices may be connected in a direct point-to-point (one master and one slave) or multidrop (one master and multiple slaves) arrangement. Only one master may be on a multidrop link. When multiple slave devices exist on a multidrop link, each slave is addressed by a unique SNP ID.

SNP Master-Slave Operation

SNP is a Master-Slave protocol where the master device initiates all communications and the slave device responds to the master's requests. SNP does not provide Peer-to-Peer capability.

Every Series 90 PLC has a built-in standard SNP (slave) serial port. This CPU serial port connector is located on the CPU board for a Series 90-70, Series 90-20 PLC, Series 90 Micro PLC, and on the power supply for a Series 90-30 PLC. (NOTE: Several Series 90-70 and Series 90-30 CPUs have two additional serial ports – see Chapter 3 for details).

Section 1: The CCM COMMREQ Data Block

The CCM COMMREQ Data Block is the part of the COMMREQ Command Block that identifies which CCM Command is to be executed and provides specific parameters for that CCM Command.

In describing the CCM COMMREQ Data Block, the following topics are discussed:

- Structure of the CCM Data Block
- Data Block Summary for CCM Commands
- CCM Memory Types
- CCM Memory Addressing and Data Lengths

Structure of the CCM Data Block

The CCM Data Block has the following structure:

Description	Command Block Word
CCM Command Word	Word 7
Target ID	Word 8
Target Memory Type	Word 9
Target Memory Address	Word 10
Data Length	Word 11
Source Memory Address	Word 12

Each of the elements of the CCM Data Block are explained below:

CCM Command Number (Word 7): This word identifies which CCM Command is to be executed. There are two categories of CCM Commands, local commands and remote commands. The local commands take place between the initiating CPU and its associated CMM only. They are not sent over the serial line. The remote commands, Read/Write commands, are sent over the serial line. A complete list of CCM Commands is provided later in this section under the heading, Data Block Summary for CCM Commands.

Target ID (Word 8): To execute a transfer of data between CCM devices, one CCM device must request the transfer and the other must comply with the request. The device requesting or initiating the transfer is the *source*; the device complying with, but not initiating, the request is the *target*. Data can flow from source to target, as well as from target to source.

The Target ID is the identification number of the target device; for Series 90 CCM, it is the CPU ID number. Each CMM port can be configured with the same or a different CPU ID number. This number is assigned using GE The GE Intelligent Platforms configuration software. If not familiar with how to do set this number, consult your software's user's manual or on-line help system for details. On the Series 90-30, if you are using a CPU331 or higher, a default CPU ID is assigned by the

Change SNP ID COMMREQ command. (See Chapter 6, SNP Service, for details on this command).

The basic SNP message flow for establishing SNP communications is shown in the figure below:

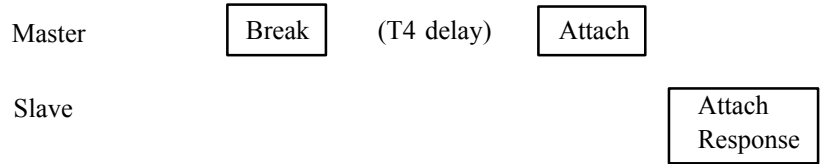


Figure 7-12. Message Flow: Establish Communications

Once established, a communication session remains active until the master transmits another Break sequence, or until a timeout or other fatal error occurs in either the master or slave device.

Request and Response

Once communication has been established between the master and the slave devices, the master can send a request to the slave. The slave then sends a response to the master. A request or response consists of a Mailbox message, optionally followed by one or more Buffer messages. Both the master and slave perform error checking on all received messages and return an acknowledgement to the sender of the message.

The basic SNP message flow for SNP requests and responses is shown in the figure below:

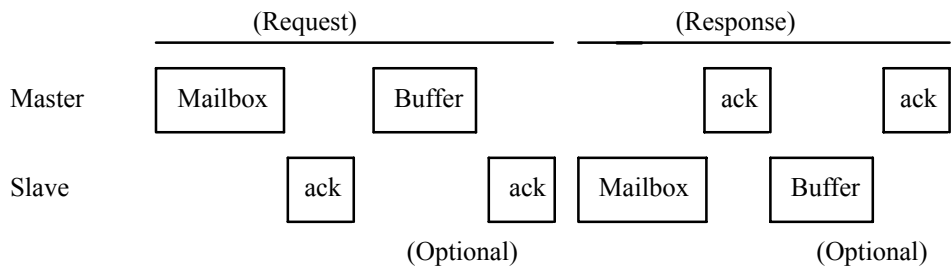


Figure 7-13. Message Flow: Request and Response

Every SNP message must be acknowledged. Once a message has been sent, if an acknowledgement is not received within the T2 time interval, the SNP communication is aborted. The master must establish a new communication session.

Every SNP request must receive a response. After the master has completed a request (all request messages have been sent and acknowledged), if the first message of the response is not received within the T5' time interval, the SNP communication is aborted. The master must establish a new communication session.

When a request or response contains one or more Buffer messages, the next Buffer message must follow the previous message in timely fashion. If an expected Buffer message is not re-

ceived within the T5” time interval after the completion of the previous message, the SNP communication is aborted. The master must establish a new communication session.

See the SNP Timers section, below, for additional information on the SNP timers.

Even when message transmission or integrity errors do not occur, the slave device may be unable to successfully complete the action requested by the master. The slave device indicates a request failure by returning the appropriate major and minor error codes to the master in a response Mailbox message.

Retry and Error Recovery

When an SNP message is received, the message is examined for correctness. If a transmission or message integrity error is detected, a negative acknowledgement is returned with an error code.

When a negative acknowledgement indicates a recoverable error, the sender retries the message. The SNP master permits a maximum of two retries for any message. If the message is not correctly sent or received by the master after two retries, the master aborts the SNP communication. The master must establish a new communication session.

When a negative acknowledgement indicates a fatal error, both the master and slave immediately abort the SNP communication. The master must establish a new communication session.

Fatal SNP Errors

Certain local errors indicate fatal errors on the CMM or CPU351, 352, or 363 modules. When a fatal error occurs, the SNP port aborts its end of the SNP communication. A new communication session must be established. Fatal local errors are indicated in the SNP COMMREQ Status Word by Major Error Code 12 (0Ch) and Minor Error Codes 32 (20h) and higher. (See Chapter 6, “SNP Service,” for a listing and description of all SNP major and minor error codes.)

SNP Timers

A number of timers are defined to support the SNP Protocol.

Adjustable timers are provided because different SNP devices can coexist on a given SNP serial link, each with its potentially different processor and different processing capability. The SNP Protocol provides several timers whose values may be adjusted by the user to allow the serial communication link to run as efficiently as possible for a given situation.

The default value for each SNP timer is selected by the CMM configuration *Timeout* parameter. Each of the four *Timeout* selections establishes a set of values for all SNP timers. The default SNP timer values for each configuration selection are listed in Table 4, SNP Timer Values for Timeout Selections. Non-default SNP timer values must be provided by the Long Attach SNP command. The Long Attach command issues an SNP Parameter Select message to negotiate new timer values between the master and slave devices.

All SNP timers revert to the configured default values when a new Attach request is sent (Attach command). Non-default SNP timer values must be re-established after each new Attach request. Previously established SNP timer values are not changed by the Update Real-Time Datagram request.

Each of the SNP timers is described below. Note that Modem Turnaround Delay and Transmission Time are *not* included in the SNP timer values unless specifically stated. Modem Turnaround Delay and Transmission Delay are described following the timers.

Table 7-14. SNP Timer Descriptions

SNP Timer	Timer Type	Description
T1	Minimum Turn-Around Time (Master and Slave)	<p>The minimum time interval which this device requires between a reception and the next transmission. It allows the half-duplex serial line to switch direction. It is usually used as the time delay after receiving a message until sending its acknowledgement, or after an acknowledgement until sending the next message. It must elapse before sending a message or acknowledgement.</p> <p>The T1 timer defaults to 5 milliseconds for all CMM configuration <i>Timeout</i> parameter selections. T1 timer values are always exchanged between the master and slave devices in the Attach request and response messages; each device operates with the T1 value obtained from the other device.</p>
T2	Acknowledgement Timeout (Master and Slave)	<p>The maximum time allowed for reception of an acknowledgement after sending a message. Failure to receive an acknowledgement within the T2 time causes the SNP device (master or slave) to abort the SNP communication.</p> <p>The T2 timer values can be optionally negotiated between the master and slave devices via the SNP Parameter Select message (part of the Long Attach command). The master and slave devices both use the larger of the T2 values from either device.</p> <p>(Each device adds the separately negotiated Modem Turnaround Time and Transmission Delay values to the negotiated T2 value prior to use. Do not include these values in the configured or programmed T2 value.)</p>
T3	Link Keep-Alive Time (Master only)	<p>The maximum time the master will wait without activity on the serial line. It is started upon completion of an Attach or other SNP response. If the master device has sent no SNP message within the T3 time, the master will send an Inquiry or Short Status message to the attached slave device to prevent a T3' timeout on the slave.</p> <p>The T3 timer is always set to the current T3' timer value minus the time required to transfer 80 characters at the selected data rate, minus any negotiated Modem Turnaround Time. The T3 value is recalculated whenever a new T3' timer value is established. If the T3' timer is disabled, this timer is also disabled.</p>
T3'	Link Idle Timeout (Slave only)	<p>The maximum time the slave device will wait for activity on the serial line. It is started after completion of an SNP response and cancelled when a new request is received from the master. If no activity occurs within the T3' time, the slave aborts the SNP communication.</p> <p>The T3' timer default value is specified by the CMM configuration <i>Timeout</i> parameter; default values range from 0 (disabled) to 10 sec. The T3' timer value may be optionally negotiated between the master and slave devices via the SNP Parameter Select message (part of the Long Attach command). The master and slave devices both use the larger of the T3' values from either device.</p> <p>(Each device adds the separately negotiated Modem Turnaround Time value to the negotiated T3' value prior to use. Do not include this value in the configured or programmed T3' value.)</p>

T3''	Attach Link Idle Timeout (Slave only)	<p>This is a special instance of the T3' timer used only by the slave immediately after a new Attach request/response. It allows the master sufficient time to negotiate new timer values by sending an SNP Parameter Select request message to the slave device. This special timer value is used only until the first message is received after the Attach; thereafter, the default or negotiated T3' value is used.</p> <p>The T3'' timer value is always equal to the default T3' value plus a fixed worst-case Transmission Delay value of 65 sec. If the T3' timer is disabled, this timer value is also disabled.</p>
T4	Break Processing Time (Master only)	<p>This is the minimum time delay the master must wait after completion of the Break sequence before it sends an Attach or Update Real-Time Datagram message. This time interval allows the slave device to activate its receiver circuits and prepare to accept incoming messages. Used by the master device only. This timer is used during the Attach, Long Attach, and Update Real-Time Datagram commands.</p> <p>The T4 timer defaults to 50 milliseconds for all CMM configuration <i>Timeout</i> parameter selections. The T4 timer value may be optionally specified by the Long Attach command.</p>
T5	Maximum Processing Time (Slave only)	<p>The maximum time that the slave device will delay while preparing a response message. It is started when the final request acknowledgement is sent to the master. If the response message is not ready to send within the T5 time, the slave sends a keep-alive message to the master to prevent a T5' timeout at the master. (The T5 timer usually keeps track of the time that the SNP slave waits for the Service Request Processor.)</p> <p>The T5 timer default value is specified by the CMM configuration <i>Timeout</i> parameter; default values range from 0 (disabled) to 5 sec. The T5 value used by the master device may be modified by the Long Attach command. The T5 timer value is not negotiated between the master and slave devices; the slave device always uses its configured T5 timer value. The T5 timer is also disabled whenever the T2 timer (Acknowledgement Timeout) is disabled.</p>
T5'	Processing Timeout. (Master only)	<p>The maximum time that the master device will wait for the slave device to return an expected response message. It is started when the final request acknowledgement is received from the slave. It is restarted when a keep-alive message is received from the slave. If the response is not received within the T5' time, the SNP communication is aborted.</p> <p>The T5' timer is always set to the current T5 timer value plus the time required to transfer 80 characters at the selected data rate, plus any negotiated Modem Turnaround Time. The T5' value is recalculated whenever a new T5 timer value is established. If the T2 or T5 timer is disabled, the T5' timer is also disabled.</p>
T5''	Buffer Message Timeout (Master and Slave)	<p>The maximum time a station will wait for the other station to send an expected Buffer message as part of an SNP request or response. It is started after acknowledgement has been sent and another Buffer message is expected. If the Buffer message is not received within the T5'' time, the SNP communication is aborted.</p> <p>The T5'' timer is always set to the current T5' timer value plus the Transmission Delay value plus twice the time required to transfer the next Buffer message at the selected data rate. The T5'' value is recalculated whenever a Buffer message is expected. If the T2 or T5 timer is disabled, the T5'' timer is also disabled.</p>

Modem Turnaround and Transmission Delay

The Modem Turnaround Delay and Transmission Delay, which are added to certain SNP timers, are described in the following table.

Table 7-15. Modem Turnaround and Transmission Delay

Type of Delay	Description
Modem Turnaround Delay (Master and Slave)	<p>The length of time required by intervening modems to turn the link around. The Modem Turnaround Delay default value is specified by the CMM configuration <i>TurnA Delay</i> parameter; default values range from 0 (None) to 500 milliseconds. The Modem Turnaround Delay value may be optionally negotiated between the master and slave devices via the SNP Parameter Select message (part of the Long Attach command). The master and slave devices both use the larger of the Modem Turnaround Delay values from either device.</p>
Transmission Delay (Master and Slave)	<p>The length of time required for the data to transfer from the initiating device to the receiving device. (This time is also referred to as the <i>wire time</i>.) This time reflects unusual delays in the data transmission path, as when satellite links are used to transfer data.</p> <p>The Transmission Delay defaults to 0 milliseconds for all CMM configuration <i>Timeout</i> parameter selections. The Transmission Delay value may be optionally negotiated between the master and slave devices via the SNP Parameter Select message (part of the Long Attach command). The master and slave devices both use the larger of the Transmission Delay values from either device.</p>

SNP Datagrams

The SNP Read and Write Memory requests permit the master device to directly read and write memory within the slave device memory. Each read or write request is of a single memory type; multiple requests are required to access different memory types. SNP also provides the capability to read from several slave memory types in a single request. The mixed slave memory reference is called a Datagram. Datagrams provide significantly faster retrieval of mixed memory types from a slave device than separate reads of each memory type.

Datagram access differs from direct memory access in that the memory references must be established before use. Once the Datagram has been established, the defined memory data may be retrieved from the slave device by reading the Datagram. When Datagram retrieval is no longer needed, the Datagram may be cancelled to free resources at the slave PLC CPU.

Establishing a Datagram

The SNP master device establishes a Datagram by specifying one or more memory areas in the slave device. Each slave memory area is defined by a Point Format, which specifies the slave memory type, memory address, and number of memory elements of that memory type. The SNP master can define up to 32 separate Point Formats when establishing a Datagram.

When a Datagram is established, the slave device allocates resources in the PLC CPU to collect the various memory areas into one contiguous data area for transfer to the master device upon request. If the Datagram is successfully established, the slave returns a Datagram ID code to the master. The Datagram ID is a single byte which must be used by the master to identify this Datagram in all future requests.

A Point Format may use any slave memory type available with other Read commands, including (for Series 90-70 slave devices only) Main Program Task and Program Block memory.

Bit-oriented memory types in a Point Format are *not* supported by Series 90-70 slave devices. Significant restrictions exist when using bit-oriented memory types in a Point Format in Series 90-30 or Series 90-20 slave devices: The slave memory defined by the Point Format must not exceed a standard byte of slave memory (elements #1 to #8, #9 to #16, ..., #(N*8)+1 to #(N*8)+8, ...). Since any bit-oriented memory can also be referenced as byte-oriented memory, it is recommended (and necessary for Series 90-70 slave devices) to use a byte-oriented instead of bit-oriented memory type in a Point Format. There is no restriction on using byte-oriented memory in a Point Format. (See Chapter 6, SNP Services, Table 16, Memory Types, Unit Lengths, and Valid Ranges, for a listing of all memory types. This table also shows the byte-oriented equivalents for each bit-oriented memory type.)

Retrieving a Datagram

The slave memory areas defined by a Datagram are returned to the master when the master issues an Update Datagram or Update Real-Time Datagram request. The SNP master in the CMM stores the response data in the local PLC memory specified by the update command; enough local PLC memory must be provided to store the entire response.

Update Real-Time Datagram

The Update Datagram request (a Mailbox request) requires that SNP communication has been established between the master and slave devices via an Attach or Long Attach. The Update Real-Time Datagram request differs from the Update Datagram request in that previous communication to the desired slave device is not required.

Update Real-Time Datagram is a special service where the master establishes a new communication to a specified slave device, indicates a previously established Datagram ID, and then immediately retrieves the Datagram data from the slave device. Since a separate Attach request is not required, the Update Real-Time Datagram service provides the fastest way to poll many slave devices in a multidrop arrangement.

The Update Real-Time Datagram service retrieves only permanent Datagrams from the slave device. See the Datagram Lifetime section, below, for a description of normal and permanent Datagrams.

The basic SNP message flow for the Update Real-Time Datagram service is shown in the figure below:

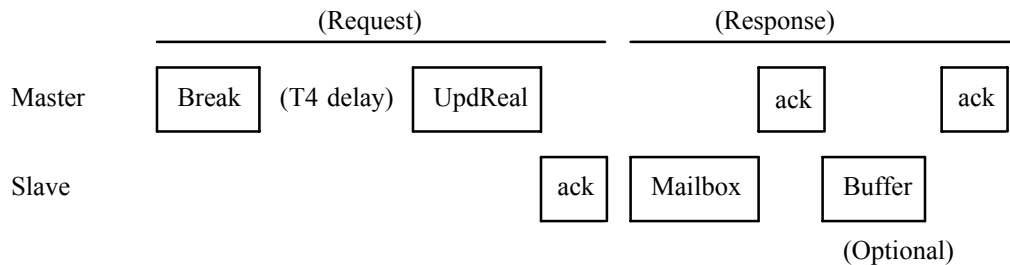


Figure 7-14. Message Flow: Update Real-Time Datagram

Note

Any existing SNP communication is aborted when the master sends an Update Real-Time Datagram request. This request generates a Break sequence, which forces all slave devices on the serial link to abort any existing communication and to wait for an Attach or Update Real-Time Datagram request. Like an Attach request, the Update Real-Time Datagram request specifies a particular slave device. The specified slave device acknowledges the Update Real-Time Datagram request; all other slave devices await the next Break sequence.

Datagram Lifetime

An established Datagram may be cancelled at any time via the Cancel Datagram request. All established Datagrams are automatically cancelled when power is removed from the slave device. In addition, certain Datagrams are automatically cancelled when the SNP communication in which they were established is terminated.

There are two types of Datagrams: *Normal* and *Permanent*. The Datagram type must be specified in all Datagram requests. The difference between the two Datagram types is the lifetime of the Datagram once it has been established. Permanent Datagrams remain established through new SNP communications.

Normal Datagrams in a CMM711 (Series 90-70) slave device or in the built-in slave device in any Series 90 PLC CPU are automatically cancelled when the current SNP communication is ended. Normal Datagrams in a CMM311 (Series 90-30) slave device behave like permanent Datagrams; they are not cancelled when the current SNP communication is ended.

Any Datagram (normal or permanent) may be cancelled upon request.

The Datagram ID is used to identify a specific Datagram during a Cancel Datagram request. The ID value $-I$ can be used to specify all established Datagrams of the specified type (normal or permanent).

Note

In IC693CMM311 versions prior to 4.0, a special case occurs when both serial ports on the CMM311 module are configured as SNP slave devices: The ID value $-I$ in a Cancel Datagram request received at either slave device will cancel all established Datagrams on *both* slave devices in the same CMM. There is no interaction between Datagrams established on both ports of a CMM711 module (Series 90-70). There is no interaction between Datagrams established in any CMM module and the built-in CPU slave device, or between different CMM modules.

This problem was solved in CMM311 version 4.0, released in July 1996. If you have an older version of this module that experiences this problem, you can correct this by upgrading to the latest version. Contact your GE Intelligent Platforms distributor for details.

Section 4: SNP-X Protocol

This section contains a complete description of the SNP-X protocol for users writing an SNP-X communications driver. Topics covered in this section are:

- Overview of SNP-X Protocol
- SNP-X Protocol Sequence
- SNP-X Message Structure
- SNP-X Commands
- SNP-X Slave State Machine

Overview of SNP-X Protocol

The SNP-X Protocol is a simple protocol that provides fast data transfer between GE PLCs and related equipment. SNP-X provides significantly faster data transfer than does the SNP protocol. However, the SNP-X protocol does not provide the extensive set of services available with SNP.

SNP-X is a half-duplex master-slave protocol that uses the RS-485 and RS-232 electrical interfaces. SNP-X devices may be connected in a point-to-point (one master and one slave) or multidrop (one master and many slaves) arrangement. Only one master may exist on the serial link. When multiple slaves exist on the serial link, each slave is addressed by a unique SNP ID.

The built-in serial port in Series 90-20 and Series 90-30 PLC CPUs operate as SNP and SNP-X slave devices using RS-485 only. When configured for SNP operation, a serial port on a Series 90-30 or Series 90-70 CMM module supports both SNP and SNP-X operation; each serial port can be configured to operate as either a master or slave device utilizing either RS-485 or RS-232.

SNP-X Communication Session

The SNP-X protocol requires the establishment of a communication session, called the SNP-X session. To establish an SNP-X session, the master device first transmits a Long Break. After waiting the T4 time interval, the master then sends an X-Attach request to the slave. The proper slave device returns an X-Attach response to the master to complete the establishment of the SNP-X session. An SNP-X session means that the SNP-X protocol is now in effect, and that data transfer may take place via SNP-X commands. The SNP-X session remains active until the next Long Break.

An SNP-X session can be established between the master device and any individual slave. Unlike SNP, an SNP-X session can also be established simultaneously with each and every SNP-X slave device on a multidrop serial link; SNP-X commands are then addressed to the desired slave device via the slave's SNP ID.

Either SNP or SNP-X operation can be performed on the same wiring network, as determined by the type of communication session (SNP or SNP-X). Only one session (SNP or SNP-X) can be active at any time. Either type of session may be established via a Long Break and the appropriate Attach or X-Attach command. During an SNP-X session, only SNP-X commands are recognized; SNP commands are ignored during an SNP-X session. Likewise, SNP-X commands are ignored during an SNP session.

Error Handling

SNP-X provides two types of errors: *hard errors* and *soft errors*.

Hard errors are non-recoverable. These errors occur when the communication session cannot be continued. Hard errors include serial transmission errors (checksum, framing, parity or BCC errors), and protocol errors (message type, next message type or length). When an SNP-X request message cannot be received intact (that is, a serial transmission error has occurred), the slave device does not send a response to the master. The master times out waiting for the response and aborts the SNP-X communication session. When the SNP-X request message is correctly received and the slave is able to respond, the slave device returns an error code within an SNP-X response message. (See the list of Minor Error Codes for Major Error 15; minor error codes 32-35.) Both the slave and master abort the SNP-X communication session when a hard error is detected; recovery is only possible through the establishment of a new SNP-X session.

Soft errors are recoverable. The slave device returns an SNP-X response message containing an error code to the master. The SNP-X communication session remains established; further SNP-X commands may be issued. Soft errors include improper request codes, service request errors, and invalid request memory types or lengths.

Broadcast Capability

Every SNP-X Attach and SNP-X request message contains the SNP ID of the slave device that is to receive the message. The SNP-X protocol also provides a mechanism to broadcast an SNP-X Attach or SNP-X request to each and every slave device on a multidrop serial link. To broadcast a SNP-X request, the special Broadcast SNP ID (**FFFFFFFFFFFFFFFF**) is specified in the request message. Requests which are broadcast never invoke a response. For this reason, only an X-Attach or X-Write request are meaningful in the broadcast context. A broadcast X-Attach request establishes an SNP-X session with each and every SNP-X slave on a multidrop serial link. (Subsequent SNP-X requests may then be addressed as desired.) A broadcast X-Write request sends the same data to all SNP-X slave devices that have established an SNP-X session.

Modem Support

All Series 90 SNP-X devices allow the RTS serial port signal to be used as a modem keying signal. The RTS signal is always asserted for the Modem Turnaround Time interval prior to each data transmission and is removed after the transmission is complete. If the Modem Turnaround Time value is non-zero, the RTS signal will precede the outgoing data. Serial ports on the CMM modules may be configured for either hardware flow control (full RTS/CTS operation), or no flow control (CTS is ignored). Series 90 CPU slave devices do not support hardware flow control; the CTS signal is always ignored.

Slave PLC Status Word

Each successful SNP-X response contains a word which indicates the latest PLC Status Word from the slave device. This word conforms exactly to the PLC Status Word contained within the Series 90 PLC Piggyback Status data. (See the Slave PLC Status Word Data table.) Among other things, this word contains bits that indicate the run/stop/disabled state of the PLC, over-sweep conditions, and fault presence. The Slave PLC Status Word within the SNP-X response is valid only during a successful response; this word is zeroed in each error response.

Slave Memory Access Bits (X-Status Bits)

The SNP-X slave device user interface defines three new contiguous status bits, called *X-Status Bits*, in the slave device PLC memory. These bits are updated by the SNP-X slave device to provide SNP-X communication information to the slave PLC. The X-Status Bits are defined as follows:

(Bit n+2)	(Bit n+1)	(Bit n)
X-Write Success	X-Read Success	Session Active

The Session Active bit indicates whether an SNP-X communication session is established at this slave device. The X-Read Success and X-Write Success bits indicate that an X-Read or X-Write SNP-X command has been successfully completed by this slave device.

The location and operation of the X-Status Bits within the slave device PLC memory differs for the Series 90 CPU and CMM modules. In a Series 90 CPU module, the X-Status Bits always reside at the following locations:

Location	%S19	%S18	%S17
X-Status Bit	X-Write Success	X-Read Success	Session Active
Mnemonic	SNPX_WT	SNPX_RD	SNPXACT

In a Series 90 CPU module, the X-Status Bits are always updated by the slave device. The Session Active bit remains set whenever the SNP-X session is active. The X-Read Success or X-Write Success bit is set for exactly one sweep upon successful completion of an X-Read or X-Write SNP-X command, respectively.

In a Series 90 CMM module, the X-Status Bits reside at a user-defined location in a bit-oriented reference table in local PLC memory. A separate set of X-Status Bits must be defined for each CMM serial port configured as an SNP-X slave device. The X-Status Bits are available only after the location has been specified via the Set X-Status Bits Address COMMREQ (07003). The Session Active bit is always maintained by the slave device and must not be reset by the ladder application. The X-Read Success and X-Write Success bits are only set by the slave device; the ladder application must examine and then reset these bits every ladder logic scan in order to properly detect the next X-Status Bits indication.

Timers

The SNP-X protocol uses the following timers. Note that the T4 timer is used exactly as in the SNP protocol.

T4

This is the time interval that the SNP or SNP-X master device must wait after sending a Long Break before sending an Attach or X-Attach message. This allows the slave device to set up the serial port and prepare to receive an attach message. This timer is used only by the master device. The usual value of this timer is 50 milliseconds. If modem operation is indicated (by configuring a non-zero Modem Turnaround Time), the T4 timer value is 600 milliseconds.

Broadcast Delay

This is the minimum time interval that the SNP-X master must wait after sending a broadcast message before sending any other message. This delay is required because the SNP-X protocol requires that a slave device not respond to a broadcast request. The Broadcast Delay is typically encountered after sending a broadcast X-Attach request. This delay applies only to the SNP-X master device.

For the CMM module, the Broadcast Delay value defaults to the configured **T2** value selected by the *Timeout* SNP configuration parameter (default is 2 seconds). This value may be modified by the SNP-X master user interface. The optimal Broadcast Delay value depends upon the PLC scan characteristics of the slowest of all attached slave PLCs (that is, scan rate, communication window frequency and length, and system load). Modem Turnaround Time and Transmission Delay do not apply to the Broadcast Delay.

Response Timeout

This is the maximum time interval that the SNP-X master will wait for an expected message from the slave device. Failure to receive an expected message within this time interval causes the master to abort the SNP-X communication session; the session must be re-established for any further SNP-X communication. This timeout is used when waiting for an SNP-X response or intermediate response from the slave device. (The Response Timeout is not used for broadcast commands.) This timeout applies only to the SNP-X master slave device.

For the CMM module, the Response Timeout value defaults to the configured **T2** value selected by the *Timeout* SNP configuration parameter (default is 2 seconds). This value may be modified by the SNP-X master user interface. The optimal Response Time-out value depends upon the characteristics of the slave PLC scan (that is, scan rate, communication window frequency and length, system load, and the need to detect and correct communication failures). The time required to transmit the largest possible SNP-X response message (1015 bytes) at the configured data rate is internally added to the Response Timeout value. Any non-zero Modem Turnaround Time and Transmission Delay values are also internally added to the Response Timeout value.

Buffer Timeout

This is the maximum time interval that the SNP-X slave will wait for an expected SNP-X buffer message from the remote master. Failure to receive a buffer message within this time interval causes the slave to abort the SNP-X communication session; the session must be re-established for any further SNP-X communication. This timeout is used whenever a buffer message is expected, during both directed and broadcast requests. The Buffer Timeout is not configured or specified by the user interface; this time interval is internally calculated as 10 seconds plus the time required to transmit the largest possible SNP-X buffer message (1008 bytes) at the configured data rate. This timeout applies only to the SNP-X master device.

The Modem Turnaround Time and Transmission Delay values (used only by the SNP-X master device to add to the Response Timeout and Broadcast Delay values) are described below:

Modem Turnaround Time

This is the time interval required by intervening modems to turn the serial link around. This time defaults to the configured value for Series 90 CMM or CPU modules. (For CMM modules, this value is specified by the *TurnA Delay* SNP configuration parameter.) For an SNP-X master device in the CMM module, the configured value may be modified by the SNP-X master user interface.

The Modem Turnaround Time value is also used to specify the time that the RTS signal is activated prior to data transmission. This provides a *keying signal* for use with modems and is used by all SNP-X master and slave devices.

Transmission Delay

This is the time required for the data to transfer from the initiating device to the receiving device. (This time is usually referred to as *wire-time*.) This time reflects unusual delays in the data transmission path, as when satellite links are used to transfer data. For the CMM module, this time defaults to zero. For a master device, this default value may be modified by the SNP-X master user interface.

Long Break

The SNP-X master sends a Long Break to signal all slave devices on the serial link to prepare to establish a new communication session. Each and every slave device aborts any active communication session and prepares to receive an Attach or X-Attach message. The master asserts a Long Break by holding the transmit line in a *space* state for at least three character times at the current baud rate. If modem operation is indicated (by configuring a non-zero Modem Turnaround Time), the Long Break duration is 400 milliseconds to allow Long Break transmission through modems. The Long Break is used identically by the SNP and SNP-X protocols.

Block Check Code (BCC)

The Block Check Code (BCC) is the final byte of each SNP-X message and is used as an integrity check of the contents of the message. The BCC value is calculated over all bytes in the message, except for the final BCC byte itself. Upon reception of any SNP-X message, the BCC value of the message is recalculated and compared to the BCC value within the message.

The BCC value over a message range is calculated by successively exclusive OR-ing the next message byte and then rotating the cumulative BCC value left one bit; this process is repeated for all bytes in the message range to be checked.

The BCC calculation algorithm is:

```

Initialize Temp BCC byte to zero
For first to last byte in message range to be checked
    Exclusive-OR Temp BCC byte with message byte
    Rotate Temp BCC byte left by 1 bit (with wrap around)
    Bump to next message byte
End for
Temp BCC byte now contains final BCC value
  
```

A sample C procedure to calculate a BCC byte over a message range is provided below:

```

byte procedure calc_bcc( msg, len )
byte * msg;      /* Pointer to start of SNP-X message */
int len;        /* Number of bytes to compute BCC over */
{
    int i;
    int bcc; /* Temp BCC byte; longer than byte to */
             /* handle wrap-around during rotate */
    i = 0;
    bcc = 0;

    while ( i < len )
    {
        /* XOR the Temp BCC byte with message byte */
        bcc = ( bcc ^ msg[i] );

        /* Rotate Temp BCC byte left by 1 bit */
        bcc = ( bcc << 1 );
        /* (Wrap MSB into LSB for rotate) */
        bcc = bcc + ( ( bcc >> 8 ) & 0x01 );

        /* Increment i for next msg byte */
        i++;
    }

    /* Return the computed BCC byte */
    return( (byte)bcc );
}
  
```

SNP-X Protocol Sequence

This section describes the sequence of messages used by the SNP-X Protocol to establish an SNP-X communication session and to transfer data. All message exchanges consist of a request and a response; the master device sends requests and the slave device returns a response.

SNP-X commands may be *directed* or *broadcasted*. *Directed* SNP-X commands are addressed to a specific slave device and are accepted only by that device. Directed commands contain both a request and a response. A directed SNP-X command contains a single request message and may optionally contain one additional data buffer message. The response always contains a single response message.

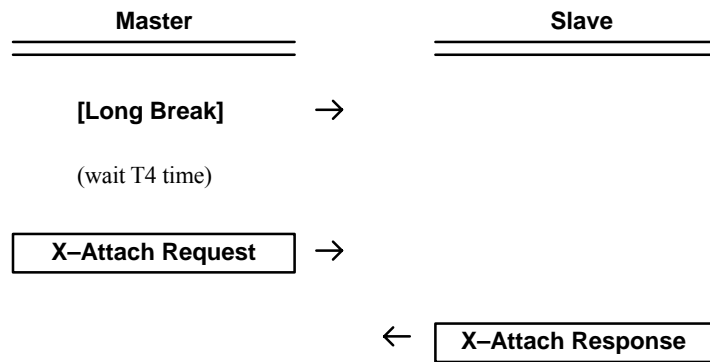
Broadcasted SNP-X commands are addressed to the special broadcast address and are accepted by all SNP-X slave devices on a multidrop serial link. A broadcasted SNP-X command contains a single request message and may optionally contain one additional data buffer message. To avoid confusion at the master, the slave *never* sends a response to a broadcasted command. Only some SNP-X commands can be broadcasted. Since a broadcasted command prohibits a response, an SNP-X command to read data is not viable.

Both the master and slave examine each received message for errors. Serial transmission errors (parity, framing/overrun, Block Check Code) are fatal; since the message was not received intact, no response can be generated. Protocol violations (message type error, next message info error) are also fatal, but an error response message can be returned. The SNP-X session is terminated at once by a fatal error. Service request errors (invalid request code, parameters, or data) are non-fatal; an error response is returned and the SNP-X session remains active.

If the slave device detects an error and is able to return a response (that is, the message from the master was correctly received, regardless of content), the slave returns an error code within the X-Response message. If a reportable error is detected during an X-Request message which uses a data buffer, an X-Response message containing the error code is returned in lieu of the normal Intermediate Response message.

Establish Session

To establish an SNP-X communication session, the master first sends a Long Break, waits for the T4 time interval, and sends an X-Attach Request message. The slave always recognizes a Long Break; the slave resets its communication circuits and prepares to receive the expected X-Attach Request message. If the X-Attach Request message is intended for this specific slave device, the slave returns an X-Attach Response to the master. All other slave devices ignore the X-Attach message. The special Null SNP ID is always accepted by any slave device instead of its actual SNP ID. The use of the Broadcast SNP ID in an X-Attach message is described under *Broadcast Commands* below. The SNP-X protocol sequence for the establishment of an SNP-X communication sequence is shown below:

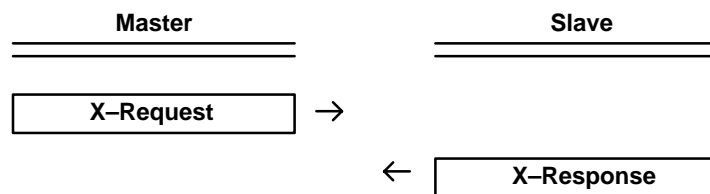


Once an SNP-X session has been established, SNP-X commands may be used to transfer data.

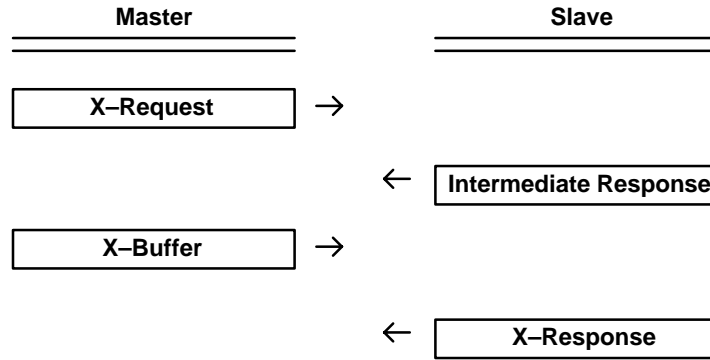
Directed Commands

When the master sends SNP-X message(s) addressed directly to a specific SNP ID, only the slave device identified by that SNP ID receives the message; that slave returns response message(s) to the master. All other slave devices ignore the message. The special Null SNP ID is always accepted by any slave device in lieu of its actual SNP ID.

Any X-Read command, or an X-Write command containing up to two bytes of data, fits within a single SNP-X request. The master sends an X-Request message and the slave returns an X-Response message to complete the command. An X-Buffer message is not used. All response data is contained within the single X-Response message. The SNP-X protocol sequence for an SNP-X command without data buffer is shown below:



An X-Write command containing more than two bytes of data cannot fit within the single SNP-X request message. The master sends an X-Request message and indicates that a buffer message will follow; the slave returns a special response message called an Intermediate Response. The master then sends the data within an X-Buffer message and the slave returns the X-Response message to complete the command. The SNP-X protocol sequence for an SNP-X command with data buffer is shown below:



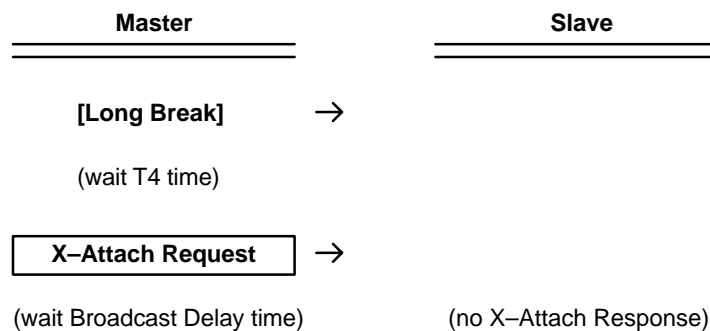
Broadcast Commands

When the master sends an SNP-X message (X-Attach or X-Request) that is addressed to the special Broadcast SNP ID instead of the specific SNP ID for a particular slave device, all slave devices on the serial link receive the message. If the message is an X-Attach message, an SNP-X session is established at every slave device. If the message is an X-Request, all slave devices which have previously established an SNP-X session receive and process the command. SNP-X slave devices do not return any messages to the master in response to any broadcast message. Therefore, the master is unable to detect slave errors in response to a broadcast command.

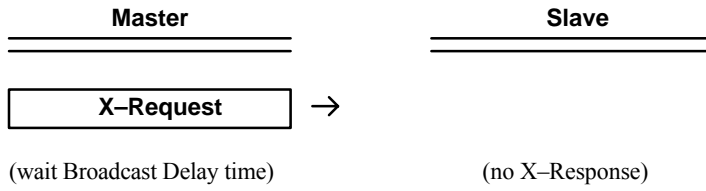
Since there are no responses from the slave to a broadcast command, the master must wait for the **Broadcast Delay** time interval after sending each message to allow all slave devices to process the message.

Note that direct commands may be effectively used following a broadcast X-Attach request. Rapid polling of many slave devices is easily accomplished by using a broadcast X-Attach to establish an SNP-X session simultaneously with all slave devices on the serial link, and then directing X-Read or X-Write commands to individual slave devices.

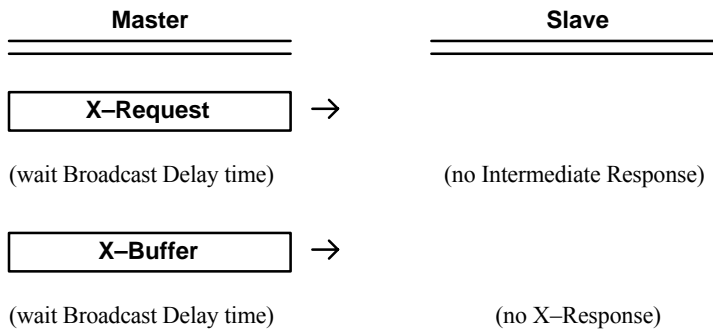
For broadcast X-Attach Requests, the SNP-X protocol sequence is as follows:



For broadcast SNP-X commands without a data buffer, the SNP-X protocol sequence is as follows:



For broadcast SNP-X commands with a data buffer, the SNP-X protocol sequence is as follows:



SNP-X Message Structure

This section describes the SNP-X messages required to perform each of the SNP-X commands.

An SNP-X command is initiated with a single request message (X-Request). If all command data cannot be transmitted within the request message, the data is sent in a single data buffer message (X-Buffer). A single response message (X-Response), containing all response status and data, concludes the SNP-X command. The SNP-X protocol prevents a slave device from returning any response to a broadcast command.

Each SNP-X command conforms to a general protocol format. All SNP-X messages consist of the following sections:

- Header
- Command Data
- Trailer

Header	Command Data	Trailer
---------------	---------------------	----------------

The contents of these sections vary depending on the message type: SNP-X Request Message (X-Request), SNP-X Response Message (X-Response), or SNP-X Data Buffer (X-Buffer).

X-Request Message Structure

The SNP-X Request Message (X-Request) is sent by the master to specify the desired service and parameters. Up to two bytes of data can be contained within the X-Request message. If the command requires more than two bytes of data, all data is sent in a separate X-Buffer message.

All X-Request messages are exactly 24 bytes in length and structured as shown below:

Header

Start of Message	Message Type
Byte 1	Byte 2

Command Data

SNP ID	Request Code	Command Specific Data
Bytes 3-10	Byte 11	Bytes 12-18

Trailer

End of Block	Next Message Type	Next Message Length	Not Used	Block Check Code
Byte 19	Byte 20	Bytes 21, 22	Byte 23	Byte 24

The contents of the Header, Command Data, and Trailer for the X-Request message are further described below:

Header			
Byte 1	Start of Message	1Bh	Start of message character.
Byte 2	Message Type	58h	SNP-X Message (58h = 'X').
Command Data			
Bytes 3-10	SNP ID		SNP ID of desired SNP-X slave.
Byte 11	Request Code		Desired service request code.
Bytes 12-18	Command Specific Data		(Depends upon command.)
Trailer			
Byte 19	End of Block	17h	End of block character.
Byte 20	Next Message Type		Next message type (0 or 54h = 'T').
Bytes 21,22	Next Message Length		Next message length (in bytes).
Byte 23	Unused	0	Not used (always 0).
Byte 24	Block Check Code		Calculated BCC value for this message.

The *SNP ID* field contains the SNP ID of the slave device to which this message is sent. This field may also contain the special Null SNP ID (all 8 bytes **00h**) or the special Broadcast SNP ID (all 8 bytes **FFh**).

The *Request Code* and *Command Specific Data* fields vary with each SNP-X command.

The trailer portion of the X-Request message indicates whether a data buffer message will be used. If a data buffer is used, the *Next Message Type* field is set to **54h**, the message type of the X-Buffer message; the *Next Message Length* field is set to the length of the entire X-Buffer message (header, data, and trailer). If a data buffer message is not used, these fields in the X-Request trailer are set to zero.

X-Response Message Structure

The SNP-X slave transmits an SNP-X Response Message (X-Response) after processing a directed X-Request message to complete the X-Request, or to permit the master to send more data. The X-Response message contains a slave PLC Status Word (described earlier), an error status word (major and minor error code bytes), and up to 1000 (decimal) bytes of data.

A special X-Response message, called an Intermediate Response and denoted by a special Message Type value, is used to acknowledge the reception of an X-Request message which will be followed by a data buffer message. The Intermediate Response contains no data; the PLC Status Word and Error Status Code fields are not meaningful. The only purpose of the Intermediate Response message is to acknowledge the X-Request message and to permit transmission of the data buffer message.

When the slave device has detected an error, the error is indicated by a non-zero Error Status Code. The PLC Status Word is set to zero and the message contains no data (the Data Length is set to zero).

All X-Response messages are structured as shown below:

Header

Start of Message	Message Type
Byte 1	Byte 2

Command Data

Response Code	PLC Status Word	Error Status Code	Data Length	Optional Response Data
Bytes 3	Bytes 4, 5	Bytes 6, 7	Bytes 8, 9	Bytes 10 - N

Trailer

End of Block	Next Message Type	Next Message Length	Not Used	Block Check Code
Byte N+1	Byte N+2	Bytes N+3, N+4	Byte N+5	Byte N+6

The contents of the Header, Command Data, and Trailer for the X-Response message are further described below:

Header			
Byte 1	Start of Message	1Bh	Start of message character.
Byte 2	Message Type		SNP-X Message (58h = 'X', or 78h = 'x').
Command Data			
Byte 3	Response Code		Response code (= Request Code + 80h).
Bytes 4,5	Slave PLC Status Word		PLC Status Word from slave device.
Bytes 6,7	Error Status Code		Error status (00 00 = success).
Bytes 8,9	Data Length		Data length in bytes (0-1000).
Bytes 10-N	Optional data		Optional data (0-1000 bytes).
Trailer			
Byte N+1	End of Block	17h	End of block character.
Byte N+2	Next Message Type	0	Next message type (always 0).
Bytes N+3,4	Next Message Length	0	Next message length (always 0).
Byte N+5	Unused	0	Not used (always 0).
Byte N+6	Block Check Code		Calculated BCC value for this message.

The *Message Type* field is set to **58h** for an X-Response message, or **78h** for an Intermediate Response message.

The *Response Code* field corresponds to the Request Code of the X-Request that initiated this command. The response code value is set to the request code value, with the high order bit always set.

For a successful X-Response message, the *Slave PLC Status Word* field contains the PLC Status Word from the slave device. For an error X-Response, this field is set to zero. For information on the contents of the Slave PLC Status Word refer to Table 28 in Chapter 6.

The *Error Status Code* field consists of two bytes. The first byte (byte 6) contains the Major Error code (00 indicates successful completion); the second byte (byte 7) contains the Minor Error code. The meaning of the Minor Error code depends upon the Major Error code value.

The *Data Length* field is always present; this field contains the number of data bytes which immediately follow in the message. This field is set to zero when the message contains no data.

The *Optional data* field may not be present. The size of this field is indicated by the *Data Length* field. If the *Data Length* field is zero, the *Optional data* field is not present.

X-Buffer Message Structure

The SNP-X Data Buffer Message (X-Buffer) is sent by the master to carry additional data for the command specified in the preceding X-Request message. The X-Buffer message is sent only after an Intermediate Response message is received from the slave. X-Buffer messages may contain from 1 to 1000 (decimal) bytes of data, and are structured as shown below:

Header

Start of Message	Message Type
Byte 1	Byte 2

Command Data

Optional Data
Bytes 3 - N

Trailer

End of Block	Next Message Type	Next Message Length	Not Used	Block Check Code
Byte N+1	Byte N+2	Bytes N+3, N+4	Byte N+5	Byte N+6

The contents of the Header, Command Data, and Trailer for the X-Buffer message are further described below:

Header			
Byte 1	Start of Message	1Bh	Start of message character.
Byte 2	Message Type	54h	SNP-X Message (54h = 'T').
Command Data			
Bytes 3-N	Optional data		Optional data (1-1000 bytes).
Trailer			
Byte N+1	End of Block	17h	End of block character.
Byte N+2	Next Message Type	0	Next message type (always 0).
Bytes N+3,4	Next Message Length	0	Next message length (always 0).
Byte N+5	Unused	0	Not used (always 0).
Byte N+6	Block Check Code		Calculated BCC for this message.

The size of the *Optional data* field depends upon the amount of data in the message. The size of the entire X-Buffer message was specified by the *Next Message Length* field in the preceding X-Request message.

SNP-X Commands

This section describes the SNP-X protocol message exchange for each SNP-X command. Both directed and broadcast commands are described. Examples with actual values are provided for each SNP-X command.

X-Attach Command

Before any data can be transferred between SNP-X devices, an SNP-X communication session must be established by the master with the slave. The master device sends a Long Break, waits the T4 time interval, and transmits an X-Attach request to establish an SNP-X session with the slave device.

The X-Attach command may be directed to a particular slave device, or broadcast to all slave devices on the serial link. The X-Attach is directed to a particular slave device by specifying the SNP ID of that device. (In Point-to-Point wiring only, the Null SNP ID may be specified in lieu of the actual SNP ID of the slave device; the slave device will respond as if its own SNP ID had been specified.) When directed to a specific SNP-X slave, a properly encoded X-Attach request invokes an X-Attach response; an SNP-X communication session is now established with the SNP-X slave. The X-Attach response does not contain an error code; in all error cases, an X-Attach response is not returned.

An X-Attach is broadcast to all slave devices by specifying the broadcast SNP ID. The slave does not return any response to a broadcast X-Attach request. Therefore, master cannot detect a broadcast X-Attach failure. After sending a broadcast X-Attach request, the master must wait the Broadcast Delay time interval before sending the next X-Request. An SNP-X communication session is now assumed to be active.

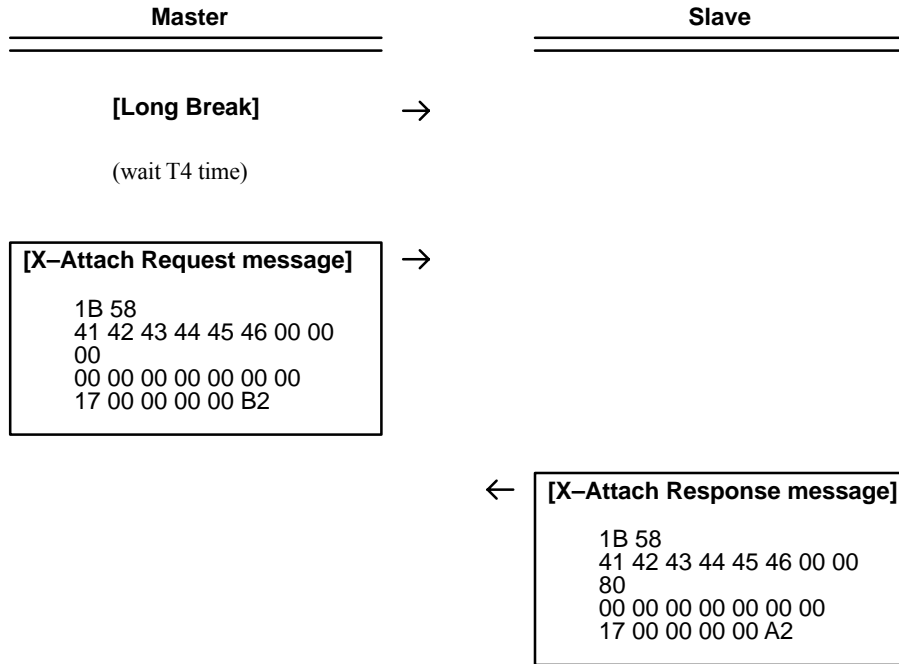
Once the SNP-X communication session has been established, the slave device is able to accept SNP-X commands. Any number or combination of SNP-X commands can be performed. The SNP-X session remains established in the slave device until either a non-recoverable error occurs, a Long Break is received, or the device is restarted.

The following diagrams and tables describe the actual protocol transactions involved in establishing an SNP-X communication session. Both the directed and broadcast varieties of the X-Attach command are described. The key components of an SNP-X session establishment are the Long Break and the X-Attach command.

Note that the X-Attach request and X-Attach response messages both use the same message structure (the X-Request Message Structure). In the X-Attach response message, the response code is returned in the Request Code message field. As with other response messages, the X-Attach response code value is the request code (the X-Attach request code is 0h) with the high order bit set. (Therefore, the X-Attach response code is 80h.)

Example of *Direct X-Attach Command*

This example shows the message exchange of a direct X-Attach command.

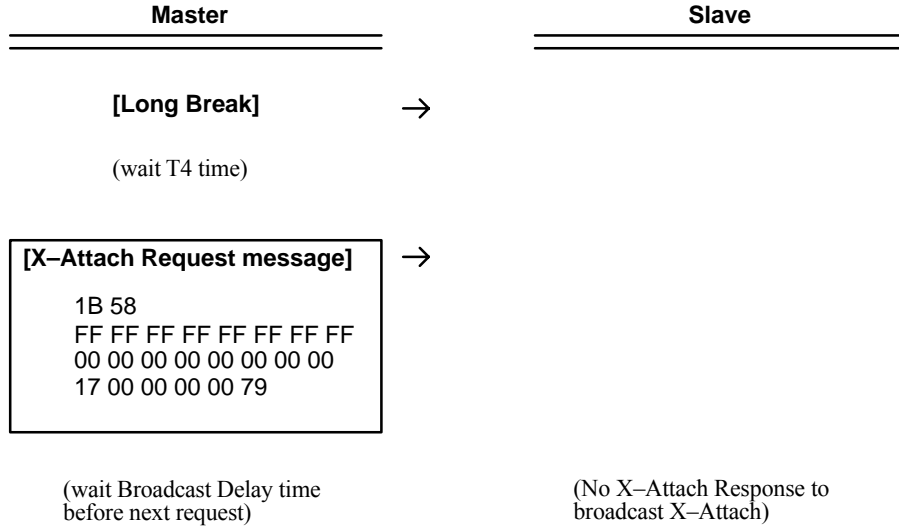


Explanation of *Direct X-Attach Command*

Byte Number	Hex Value	Description
X-Attach Request Message		
1	1B	Start of message character (1Bh).
2	58	SNP-X Command = 'X' = 58h.
3-10	41 42 43 44 45 46 00 00	SNP ID of target slave.
11	00	X-Attach request code = 00h.
12-18	00 00 00 00 00 00 00	Not used (always 0).
19	17	End of block character (17h) marks the beginning of the SNP-X message trailer.
20-23	00 00 00 00	Not used (always 0).
24	B2	Computed Block Check Code for this example.
X-Attach Response Message		
1	1B	Start of message character (1Bh).
2	58	SNP-X Command = 'X' = 58h.
3-10	41 42 43 44 45 46 00 00	SNP ID of target slave.
11	80	X-Attach response code = 80h.
12-18	00 00 00 00 00 00 00	Not used (always 0).
19	17	End of block character (17h) marks the beginning of the SNP-X message trailer.
20-23	00 00 00 00	Not used (always 0).
24	A2	Computed Block Check Code for this example.

Example of *Broadcast X-Attach Command*

This example shows the message exchange of a broadcast X-Attach command. Note that there is no response message to the broadcast request.



Explanation of *Broadcast X-Attach Command*

Byte Number	Hex Value	Description
X-Attach Request Message		
1	1B	Start of message character (1Bh).
2	58	SNP-X Command = 'X' = 58h.
3-10	FF FF FF FF FF FF FF FF	Broadcast SNP ID.
11	00	X-Attach request code = 00h.
12-18	00 00 00 00 00 00 00	Not used (always 0).
19	17	End of block character (17h) marks the beginning of the SNP-X message trailer.
20-23	00 00 00 00	Not used (always 0).
24	79	Computed Block Check Code for this example.

X-Read Command

The X-Read Command permits the SNP-X master to make a read request for a single continuous area of a single reference table in the slave PLC memory. The request specifies the segment selector, offset, and data length. Every X-Read command generates exactly one X-Request message and returns one X-Response message. The size of the X-Response varies depending on the amount of data to be returned. The maximum amount of data that can be read with the X-Read command is 1000 (decimal) bytes. If the slave detects an error when processing the X-Request, an X-Response message is returned with an appropriate error code.

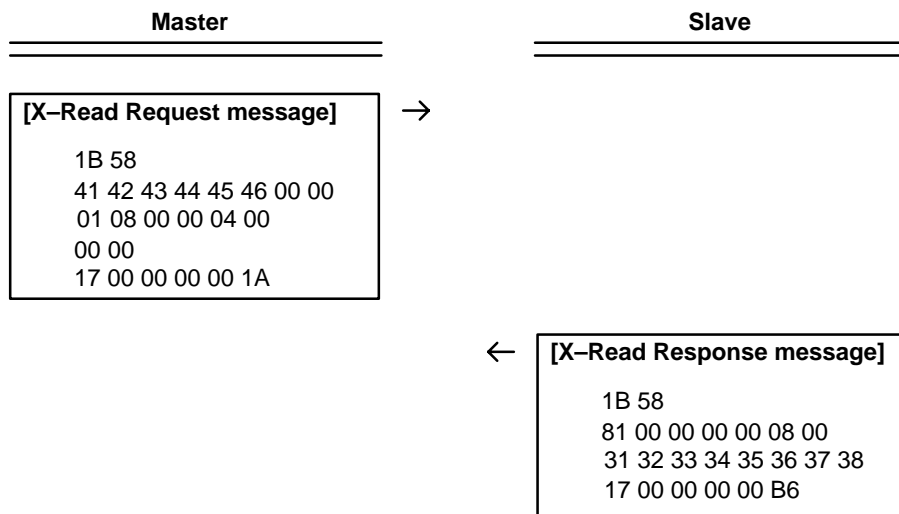
Data bytes are always byte-aligned. Individual bit data to be read are supplied at the proper bit locations within the data bytes. For example, %I4 occurs at the fourth bit within the data byte: 0000 1000 = 08h.

The X-Read command may be directed only to a particular slave device by using the specific slave SNP ID. (In Point-to-Point wiring only, the Null SNP ID may be used in lieu of a specific SNP ID; the slave device will respond to the Null SNP ID as if its own SNP ID had been specified.) The X-Read command may not be broadcast, since SNP-X slave devices must not respond to any broadcast command.

The following diagram and table describe the actual protocol transactions involved in an X-Read command.

Example of *Direct X-Read Command*

This example shows the message exchange of an X-Read command.



Explanation of *Direct X-Read Command*

Byte Number	Hex Value	Description
X-Read Request Message		
1	1B	Start of message character (1Bh).
2	58	SNP-X Command = 'X' = 58h.
3-10	41 42 43 44 45 46 00 00	SNP ID of target slave.
11	01	X-Read request code = 01h.
12	08	Segment Selector: %R in word mode.
13-14	00 00	Data Offset: 0000h = 0(zero based) = %R1.
15-16	04 00	Data Length: 0004h = 4 registers.
17-18	00 00	Not used (always 0).
19	17	End of block character (17h) marks the beginning of the SNP-X message trailer.
20-23	00 00 00 00	Not used (always 0).
24	1A	Computed Block Check Code for this example.
X-Read Response Message		
1	1B	Start of message character (1Bh).
2	58	SNP-X Command = 'X' = 58h.
3	81	X-Read response code = 81h.
4-5	00 00	PLC Status Word. (00 00 for this example only)
6-7	00 00	Status codes (Major and Minor errors).
8-9	08 00	Length of data in response (8 bytes).
10-17	31 32 33 34 35 36 37 38	Data (%R1-%R4).
18	17	End of block character (17h) marks the beginning of the SNP-X message trailer.
19-22	00 00 00 00	Not used (always 0).
23	B6	Computed Block Check Code for this example.

X-Write Command

The X-Write Command permits the SNP-X master to make a write request of a single continuous area of a single reference table in the slave PLC memory. The request specifies the segment selector, the offset, the data length, and the data. If two or less bytes of data is to be written, a single X-Request message is transmitted; up to two bytes of data may be included directly in the message. If more than two bytes of data are to be written, an X-Request message and an X-Buffer message must be transmitted by the SNP-X master. In this case, all of the data must reside in the X-Buffer message; the data field within the X-Request message is not used. Upon reception of an X-Request which uses a data buffer, the slave returns an Intermediate Response message to the master; the master then transmits the X-Buffer message. The maximum amount of data that can be written in the X-Buffer message is 1000 (decimal) bytes. The slave completes the command by returning an X-Response message to the master. If the slave detects an error when processing the X-Request or X-Buffer, an X-Response message is returned with an appropriate error code.

Data bytes are always byte-aligned. Individual bit data to be written must be supplied at the proper bit locations within the data bytes. For example, %I4 occurs at the fourth bit within the data byte: 0000 1000 = 08h.

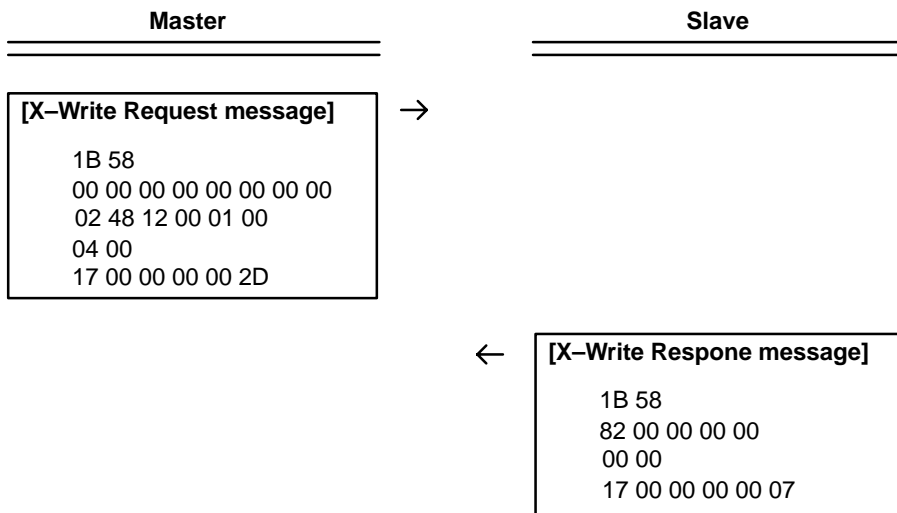
The X-Write command may be directed to a particular slave device, or broadcast to all attached slave devices on the serial link. The X-Write command is directed to a specific slave device by using the specific slave SNP ID. (In Point-to-Point wiring only, the Null SNP ID may be used in lieu of a specific SNP ID; the slave device will respond to the Null SNP ID as if its own SNP ID had been specified.)

The X-Write command is broadcast by using the broadcast SNP ID. The slave does not return any response messages to a broadcast X-Write request. Therefore, the master cannot detect a broadcast X-Write failure. After sending a broadcast X-Write request or its following X-Buffer message, the master must wait the Broadcast Delay time interval before sending the next message.

The following diagrams and tables describe the actual protocol transactions involved in an X-Write command. Both the directed and broadcast varieties of the X-Write command are described. The X-Write command is shown both with and without the optional X-Buffer message.

Example of *Direct X-Write Command (2 Bytes or Less)*

This example shows the message exchange of a direct X-Write Command without a data buffer.

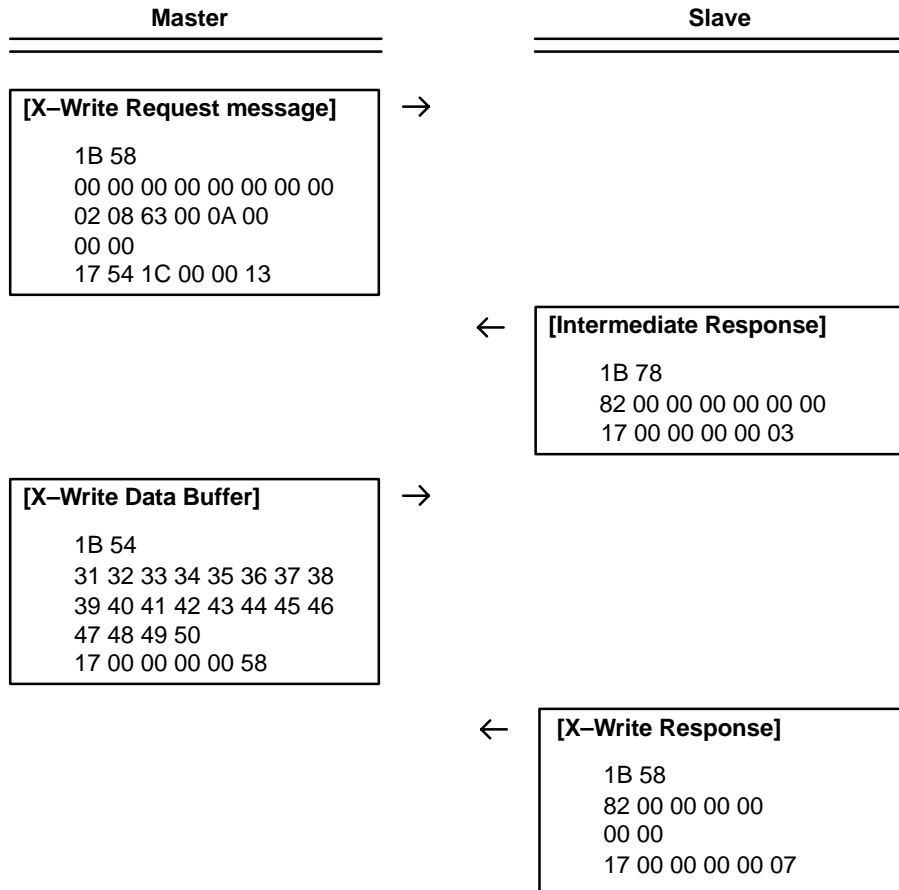


Explanation of *Direct X-Write Command (2 Bytes or Less)*

Byte Number	Hex Value	Description
X-Write Request Message		
1	1B	Start of message character (1Bh).
2	58	SNP-X Command = 'X' = 58h.
3-10	00 00 00 00 00 00 00 00	SNP ID of target slave.
11	02	X-Write request code = 02h.
12	48	Segment Selector: %Q in bit mode.
13-14	12 00	Data Offset: 0012h = 18 (zero based) = %Q19.
15-16	01 00	Data Length: 0001h = 1 bit.
17-18	04 00	Data to write (Max. 1 word = 2 bytes = 16 bits).
19	17	End of block character (17h) marks the beginning of the SNP-X message trailer.
20-23	00 00 00 00	Not used (always 0).
24	2D	Computed Block Check Code for this example.
X-Write Response Message		
1	1B	Start of message character (1Bh).
2	58	SNP-X Command = 'X' = 58h.
3	82	X-Write response code = 82h.
4-5	00 00	PLC Status Word. (00 00 for this example only)
6-7	00 00	Status codes (Major and Minor errors).
8-9	00 00	Data Length (always 0).
10	17	End of block character (17h) marks the beginning of the SNP-X message trailer.
11-14	00 00 00 00	Not used (always 0).
15	07	Computed Block Check Code for this example.

Example of *Direct X-Write Command (More Than 2 Bytes)*

This example shows the message exchange of a direct X-Write command to write more than two bytes of data. The X-Request requires a subsequent transmission of an X-Buffer message by the SNP-X master. After the slave receives the initial X-Request, the slave returns an Intermediate Response message and waits for the X-Buffer message. Upon receiving the X-Buffer message, the SNP-X slave processes the write to the PLC reference table. The SNP-X slave returns an appropriate X-Response message to conclude the command.

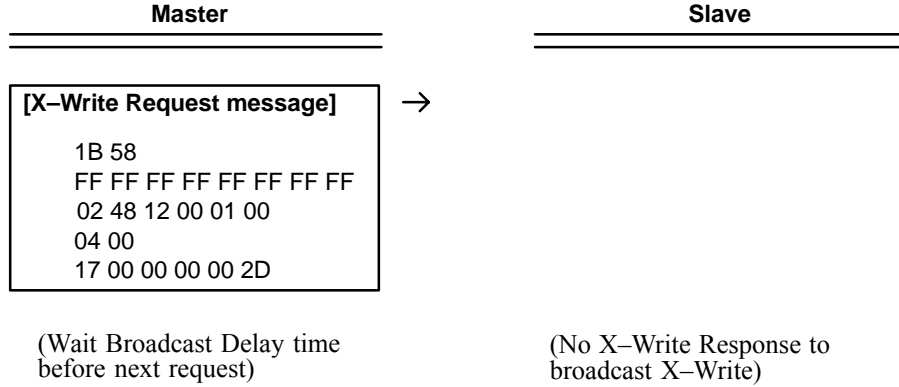


Explanation of *Direct X-Write Command (More than 2 Bytes)*

Byte Number	Hex Value	Description
X-Write Request Message		
1	1B	Start of message character (1Bh).
2	58	SNP-X Command = 'X' = 58h.
3-10	00 00 00 00 00 00 00 00	SNP ID of target slave.
11	02	X-Write request code = 02h.
12	08	Segment Selector: %R in word mode.
13-14	63 00	Data Offset: 0063h = 99 (zero based) = %R100.
15-16	0A 00	Data Length: 000Ah = 10 words.
17-18	00 00	Not used (always 0).
19	17	End of block character (17h) marks the beginning of the SNP-X message trailer.
20	54	Next message type = Buffer = 'T' = 54h.
21-22	1C 00	Next message length (in bytes) = 001Ch = 28.
23	00	Not used (always 0).
24	13	Computed Block Check Code for this example.
Intermediate Response Message		
1	1B	Start of message character (1Bh).
2	78	SNP-X Intermediate Response = 'x' = 78h.
3	82	X-Write response code = 82h.
4-9	00 00 00 00 00 00	Not used (always 0).
10	17	End of block character (17h) marks the beginning of the SNP-X message trailer.
11-14	00 00 00 00	Not used (always 0).
15	03	Computed Block Check Code for this example.
X-Write Data Buffer Message		
1	1B	Start of message character (1Bh).
2	54	SNP-X Command = 'T' = 54h.
3-22	31 32 33 34 35 36 37 38 39 40 41 42 43 44 45 46 47 48 49 50	20 bytes of data to write %R100 - %R109.
23	17	End of block character (17h) marks the beginning of the SNP-X message trailer.
24-27	00 00 00 00	Not used (always 0).
28	58	Computed Block Check Code for this example.
X-Write Response Message		
1	1B	Start of message character (1Bh).
2	58	SNP-X Intermediate Response = 'X' = 58h.
3	82	X-Write response code = 82h.
4-5	00 00	PLC Status Word. (00 00 for this example only)
6-7	00 00	Status codes (Major and Minor errors).
8-9	00 00	Data Length (always 0).
10	17	End of block character (17h) marks the beginning of the SNP-X message trailer.
11-14	00 00 00 00	Not used (always 0).
15	07	Computed Block Check Code for this example.

Example of *Broadcast X-Write Command for 2 Bytes or Less*

This example shows the message exchange of a broadcast X-Write command without a data buffer. Note that there is no response message to the broadcast request.

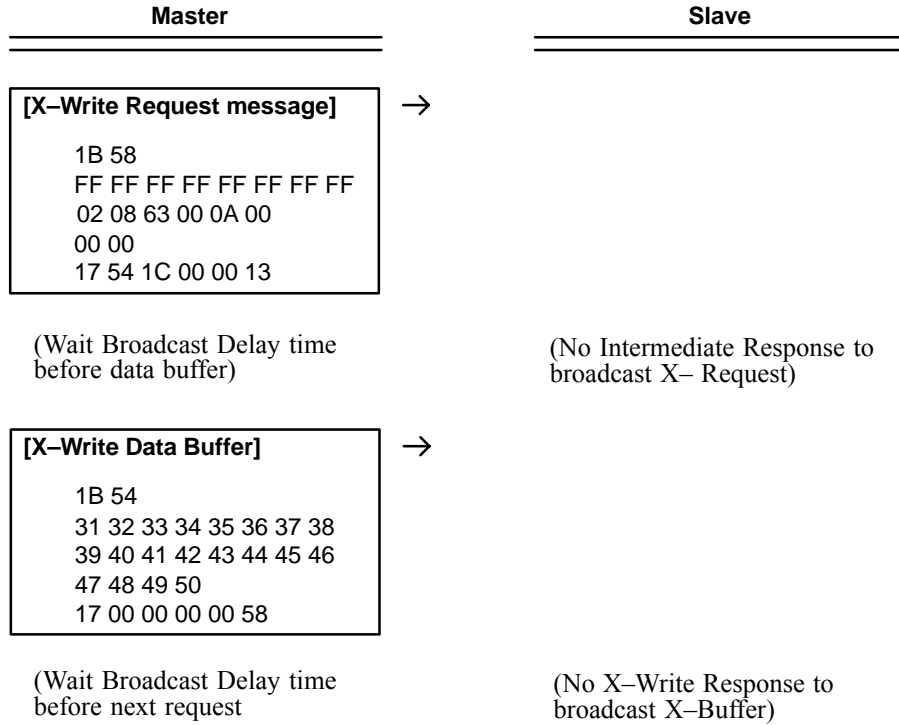


Explanation of *Broadcast X-Write Command (2 Bytes or Less)*

Byte Number	Hex Value	Description
X-Write Request Message		
1	1B	Start of message character (1Bh).
2	58	SNP-X Command = 'X' = 58h.
3-10	FF FF FF FF FF FF FF FF	Broadcast SNP ID.
11	02	X-Write request code = 02h.
12	48	Segment Selector: %Q in bit mode.
13-14	12 00	Data Offset: 0012h = 18 (zero based) = %Q19.
15-16	01 00	Data Length: 0001h = 1 bit.
17-18	04 00	Data to write (Max. 1 word = 2 bytes = 16 bits).
19	17	End of block character (17h) marks the beginning of the SNP-X message trailer.
20-23	00 00 00 00	Not used (always 0).
24	2D	Computed Block Check Code for this example.

Example of *Broadcast X-Write Command (More than 2 Bytes)*

This example shows the message exchange of a broadcast X-Write command to write more than two bytes of data. This command requires a write request message and a subsequent data buffer message. Note that there is neither an intermediate response nor a final response message to the broadcast request.



Explanation of Broadcast X-Write Command (More Than 2 Bytes)

Byte Number	Hex Value	Description
X-Write Request Message		
1	1B	Start of message character (1Bh).
2	58	SNP-X Command = 'X' = 58h.
3-10	FF FF FF FF FF FF FF FF	Broadcast SNP ID.
11	02	X-Write request code = 02h.
12	08	Segment Selector: %R in word mode.
13-14	63 00	Data Offset: 0063h = 99 (zero based) = %R100.
15-16	0A 00	Data Length: 000Ah = 10 words.
17-18	00 00	Not used (always 0).
19	17	End of block character (17h) marks the beginning of the SNP-X message trailer.
20	54	Next message type = Buffer = 'T' = 54h.
21-22	1C 00	Next message length (in bytes) = 001Ch = 28.
23	00	Not used (always 0).
24	13	Computed Block Check Code for this example.
X-Write Data Buffer Message		
1	1B	Start of message character (1Bh).
2	54	SNP-X Command = 'T' = 54h.
3-22	31 32 33 34 35 36 37 38 39 40 41 42 43 44 45 46 47 48 49 50	20 bytes of data to write %R100 - %R109.
23	17	End of block character (17h) marks the beginning of the SNP-X message trailer.
24-27	00 00 00 00	Not used (always 0).
28	58	Computed Block Check Code for this example.

SNP-X State Tables

This section presents generic state tables for the protocol processing of SNP-X master and slave devices. These state tables are provided as an aid to those developing their own SNP-X master or slave implementations. The state tables illustrate the SNP-X protocol processing only; they are not sufficient to implement complete SNP-X devices.

Separate state tables are provided for SNP-X master and slave devices. Each state table is a matrix of the device states and the permissible input events; an action routine to be performed is identified for each combination of input event and current state. Following each state table, pseudo-code is provided for the action routines used in that state table. The timer names used in the pseudo-code match the SNP-X timer names presented earlier in this chapter.

SNP-X Master State Table

The table below defines the actions taken by the SNP-X master in each state:

STATE EVENT	Master Idle (1)	Wait for X-Att Resp (2)	Master Open (3)	Wait for Inter Resp (4)	Wait for X-Resp (5)
User Cmd = Establish new SNP-X session	Action A State (2)				
Receive X-Attach Resp msg		Action B State (3/1)			
User Cmd = X-Read or X-Write			Action D State (4/5)		
Receive Intermediate Resp msg				Action E State (5/1)	
Receive X-Response msg				Action G State (3/1)	Action F State (3/1)
Broadcast Delay timer expired		Action C State (3)		Action H State (5)	Action C State (3)
Response Timeout timer expired		Action I State (1)		Action I State (1)	Action I State (1)

For any invalid intersection in this table, abort all master processing and return to State (1).

SNP-X Master Actions

The following action routines are used by the SNP-X Master State Table:

- | | |
|--|--|
| <p>A Build and send X-Attach message to slave
 If broadcast X-Attach
 Start Broadcast Delay timer
 Else directed X-Attach
 Prepare to read X-Attach Response
 Start Response Timeout timer
 Transition to State (2)</p> <p>B Cancel Response Timeout timer
 If improper X-Attach Response message
 Error! Abort all master processing in progress
 Transition to State (1)
 Else (User Cmd is now complete)
 Transition to State (3) for next cmd</p> <p>C (User Cmd is now complete; always successful)
 Transition to State (3) for next cmd</p> <p>D If User Cmd = X-Write, fetch data to be written
 Build and send X-Request message to slave
 If broadcast X-Request
 Start Broadcast Delay timer
 Else directed X-Request
 Prepare to read Response msg
 Start Response Timeout timer
 If X-Request with Buffer
 Transition to State (4)
 Else X-Request without Buffer
 Transition to State (5)</p> <p>E Cancel Response Timeout timer
 If improper Intermediate Response msg
 Error! Abort all master processing in progress
 Transition to State (1)
 Build and send X-Buffer message to slave
 Prepare to read Response msg
 Start Response Timeout timer
 Transition to State (5)</p> | <p>F Cancel Response Timeout timer
 If improper X-Response message
 or fatal error code returned
 Error! Abort all master processing in progress
 Transition to State (1)
 If non-fatal error
 (X-Response msg contains error code)
 Else successful response
 If X-Read response
 Distribute data returned from slave device
 (User Cmd is now complete)
 Transition to State (3) for next cmd</p> <p>G Cancel Response Timeout timer
 If improper X-Response message
 or fatal error code returned
 Error! Abort all master processing in progress
 Transition to State (1)
 Else non-fatal error
 (X-Response msg contains error code)
 (User Cmd is now complete)
 Transition to State (3) for next cmd</p> <p>H Build and send X-Buffer message to slave
 Start Broadcast Delay timer
 Transition to State (5)</p> <p>I Timeout Error! Abort all master processing
 Transition to State (1)</p> |
|--|--|

SNP-X Slave State Table

The table below defines the actions taken by the SNP-X slave in each state:

STATE	Wait for Break (1)	Wait for X-Attach (2)	Wait for X-Request (3)	Wait for X-Buffer (4)
Receive Long Break	Action A State (2)	Action A State (2)	Action A State (2)	Action A State (2)
Receive X-Attach msg		Action B State (3/1)		
Receive X-Request msg			Action C State (3/4/1)	
Receive X-Buffer msg				Action D State (3/1)
Buffer Timeout timer expired				Action E State (1)

For any invalid intersection in this table, abort all slave processing and return to State (1).

SNP-X Slave Actions

The following action routines are used by the SNP-X Slave State Table:

- | | |
|--|---|
| <p>A Abort all slave processing in progress
Prepare to receive X-Attach msg
Transition to State (2)</p> <p>B If improper X-Attach message
Error! Transition to State (1)
If X-Attach for another slave device
(No error) Transition to State (1)
If not broadcast X-Attach
Build and send X-Attach Response message
Prepare to receive next X-Request msg
Transition to State (3)</p> <p>C If reportable error with X-Request message
Build and send error X-Response msg
If fatal error
Abort all slave processing in progress
Transition to State (1)
Else non-fatal error
Remain in State (3)
If X-Buffer message will follow
If not broadcast X-Request
Build and send Intermediate Resp message
Start Buffer Timeout timer
Transition to State (4)
Perform request service (Read/Write)
If not broadcast X-Request
Build and send X-Response message
Prepare to receive next X-Request msg
Remain in State (3)</p> | <p>D Cancel Buffer Timeout timer
If reportable error with X-Buffer message
Build and send error X-Response message
If fatal error
Abort all slave processing in progress
Transition to State (1)
Else non-fatal error
Transition to State (3)
Perform requested service (Read/Write)
If preceding X-Request was not broadcast
Build and send X-Response message
Prepare to receive next X-Request msg
Transition to State (3)</p> <p>E Buffer Timeout Error! Abort all slave processing
Transition to State (1)</p> |
|--|---|

Chapter

8

Cable Connection Diagrams

This chapter provides the information necessary for you to build serial communications cables from the CMM to another device, and documents standard GE Intelligent Platforms serial products such as converters, isolators, and cables. The chapter is divided into several sections:

- Section 1: Cable Assembly Specifications
- Section 2: RS-232 Cables
- Section 3: RS-422 Cables
- Section 4: “Station Manager” Serial cable (IC693CBL316)
- Section 5: Multidrop cable (IC690CBL714A)

Note: Information on the IC690ACC903 Port Isolator can be found in Appendix G, and information on the IC690ACC901 Miniconverter/Cable kit can be found in Appendix O.

Section 1: Cable Assembly Specifications

The cable assembly presents one of the most common causes of communication failure. For best performance, construct the cable assemblies according to the recommended connector parts and specifications.

Connectors

- Cable connector to CMM ports 1 or 2: Male, D-Subminiature Type, Cannon DB25P (solder pot) with DB110963-3 Hood, or equivalent standard RS-232 connector.
- Connectors for ports 1 and 2 are located on the Series 90-70 CMM module. Both ports are brought out on a single connector on the Series 90-30 CMM module. An IC693CBL305 Wye cable is provided with each Series 90-30 CMM module that provides a separate connector for each port.
- Connector to external device: specified by external device manufacturer.

Serial Cable Recommendations

- Length (maximum):
 - 50 feet (15 meters) for RS-232.
 - 50 feet (15 meters) for RS-422/RS-485 without isolation at the remote end.
 - 4000 feet (1200 meters) for RS-422/RS-485 with isolation at the remote end.
- Overall shield.
- 24 AWG (minimum) wires in a twisted-pair arrangement.
- Use “plenum” rated cable if required by local fire codes. Compared to standard cable, plenum cable is more fire resistant and emits less toxic fumes in the presence of fire.
- Maximum shunt capacitance of 16 pF per foot (lower is better); characteristic impedance of 100 or 120 ohms.

Cable manufacturers produce computer/communications cables rated for RS-232/422/485 use. As an alternative, Category 5 Ethernet cable (TIA/EIA 568-A) often meets the above specifications and usually costs less than RS-232/422/485 communications cable. See your cable supplier for their recommendations.

At distances under 50 feet (15 meters), almost any twisted pair or shielded twisted pair cable will work, as long as the wire pairs are connected correctly.

When using RS-422/RS-485, the twisted pairs should be matched so that both transmit signals make up one twisted pair and both receive signals make up the other twisted pair. If this is ignored, crosstalk resulting from the mismatching will affect the performance of the communications system.

When routing communication cables outdoors, transient suppression devices can be used to reduce the possibility of damage due to lightning or static discharge.

Caution

Care should be exercised to ensure that both the CMM module and the device to which it is connected are grounded to a common point. Failure to do so could result in damage to the equipment.

Section 2: RS-232 Cable Diagrams

This section provides diagrams for the following RS-232 connections:

- CMM to CMM
- CMM to CCM2 (Series Six)
- CMM to OIT

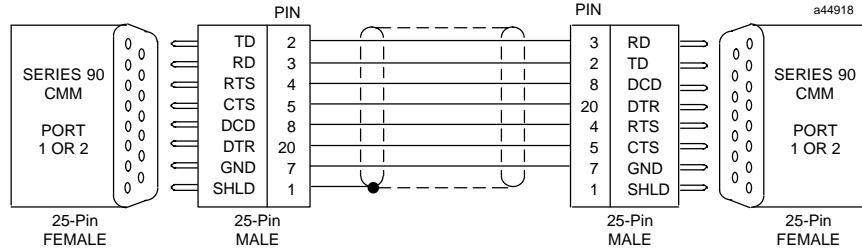


Figure 8-1. CMM to CMM with Handshaking (RS-232 only)

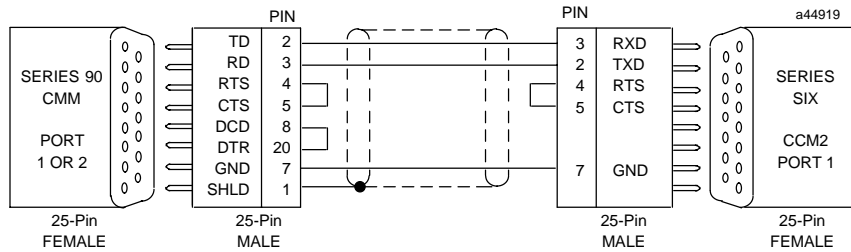


Figure 8-2. CCM2 to CMM (RS-232)

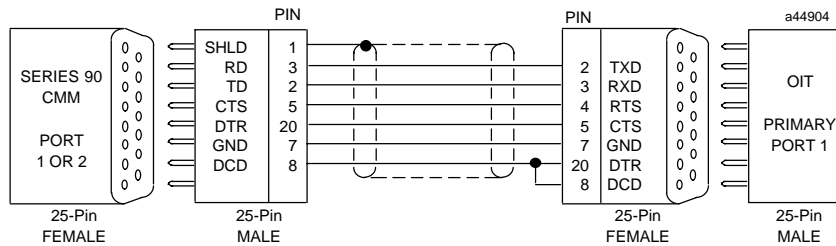


Figure 8-3. CMM to OIT with Handshaking (RS-232)

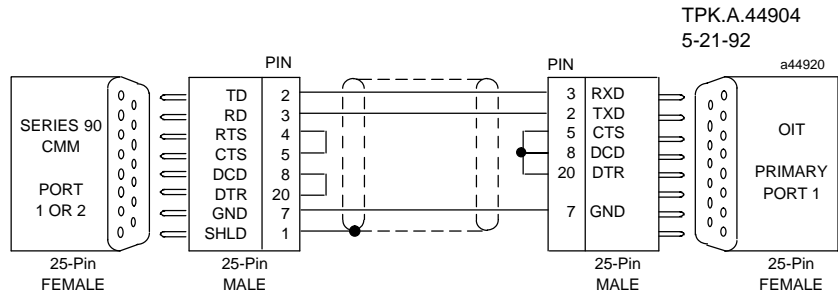


Figure 8-4. CMM to OIT without Handshaking (RS-232)

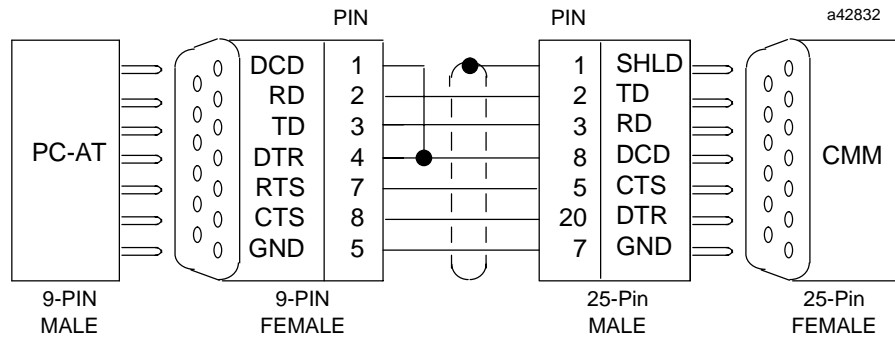


Figure 8-5. IC690CBL702 CMM to PC-AT Serial Cable

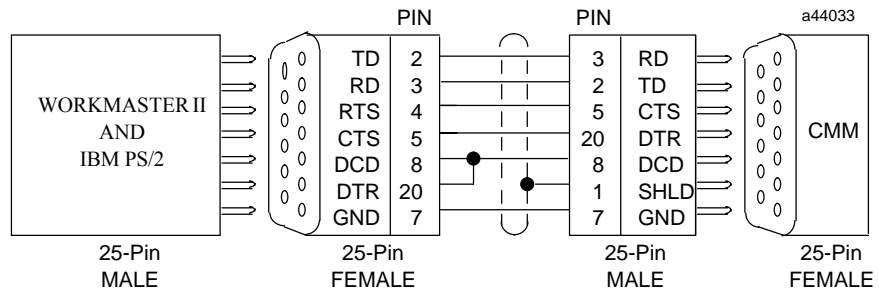


Figure 8-6. IC690CBL705 CMM to Workmaster II or PS/2 Serial Cable

Section 3: RS-422/RS-485 Cable Diagrams

This section provides information on the RS-485 interface and on constructing RS-422/RS-485 cables.

RS-422/RS-485 Interface and Cabling Information

The RS-485 Interface

The Series 90 PLC family of products are compatible with EIA RS-422 or RS-485 specifications. RS-485 drivers and receivers are utilized to accomplish communications between several system components using multiple driver/receiver combinations on a single cable with four twisted pairs. The total cable length cannot exceed 4000 feet.

A multidrop system of a driver and 8 receivers can be configured. The maximum common mode voltage between each additional drop is the RS-485 standard of +12 Volts to -7 Volts. The driver output must be capable of ± 1.5 V minimum into 60 ohms. The driver output impedance must be at least 120 K ohms in the high impedance state. The receiver input resistance is 12K ohms or greater. Receiver sensitivity is ± 200 millivolts.

Caution

Care must be taken that common mode voltage specifications are met. Common mode conditions that exceed those specified will result in errors in transmission and/or damage to Series 90 PLC components.

Constructing RS-422/RS-485 Cables

When connecting the CMM to a non-Series 90 device using the RS-422/RS-485 standard, the non-Series 90 device's line receiver must contain *fail safe* capability. This means that in an idle, open, or shorted line condition, the output of the line receiver chip must assume the *marking* state.

When using RS-422/RS-485, the twisted pairs should both be matched so that both transmit signals make up one twisted pair and both receive signals make up the other twisted pair.

The CMM is supplied with a 120 Ohm terminating resistor in each RS-422 receiver circuit. If the module is at either end of an RS-422 multidrop or point-to-point link, pin 25, the RD (B') signal, must be connected directly to pin 24, the internal 120 ohm terminating resistor. If the module is an intermediate drop in the multidrop link, this connection should not be made.

Some older equipment such as the Series Six PLC used the signal nomenclature as shown below. The original nomenclature for this equipment has been retained in the wiring diagrams.

Table 8-1. Series Six RS-422 Signal Cross-Reference to the EIA Standard

Function	Series Six Signal Name	RS-422 Standard Signal Name
Send Data +	TXD+	SD (B)
Send Common –	TXD –	SD (A)
Receive Data +	RXD +	RD (B')
Receive Common –	RXD –	RD (A')
Ready to Send +	RTS +	RTS (B)
Ready to Send Common –	RTS –	RTS (A)
Clear to Send +	CTS +	CTS (B')
Clear To Send Common –	CTS –	CTS (A')
Signal Ground		GND

During a mark condition (logic 1), B will be positive with respect to A.
 During a space condition (logic 0), B will be negative with respect to A.

RS-422/RS-485 Cable Diagrams

Diagrams for the following connections are shown in this section:

- CMM to CMM
- CMM to CCM2 (Series Six)
- CMM to OIT
- CMM to Series One/Series Three DCA
- CMM or Host to Multiple CMMs
- CMM to CMM (2-wire)
- CMM to Multiple CMMs (2-wire)
- Also, a section on RTU 2-Wire and 4-Wire connections is included.

Note

The CMM modules do not support hardware flow control in an RS-422/RS-485 connection arrangement.

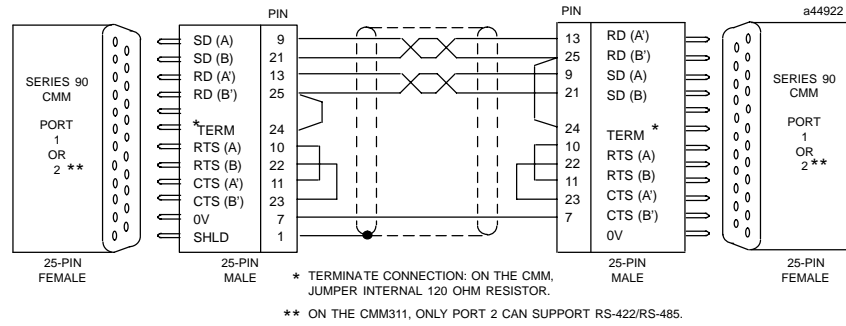


Figure 8-7. CMM to CMM (RS-422/RS-485)

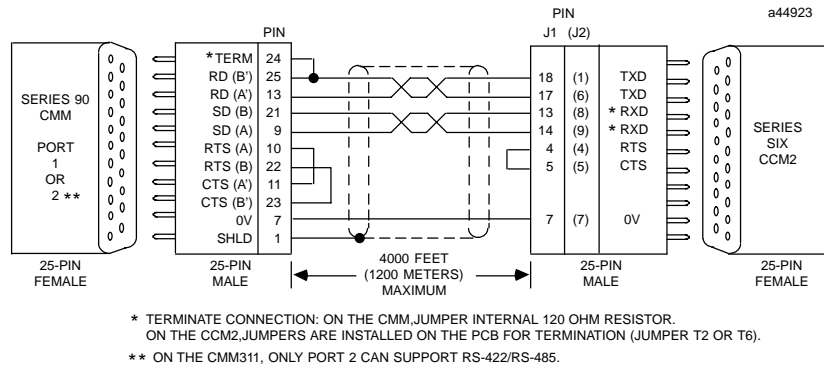


Figure 8-8. CMM to CCM2 (RS-422/RS-485)

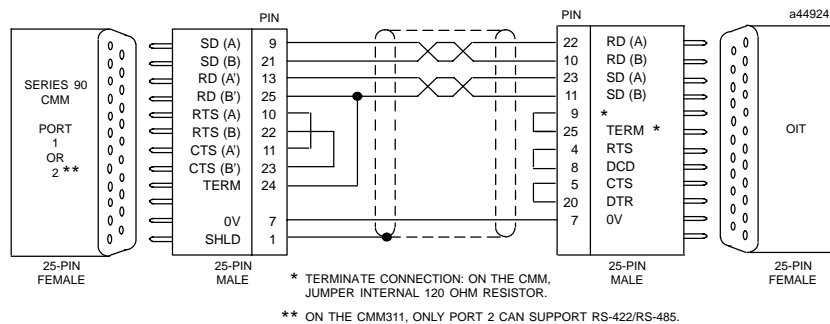


Figure 8-9. CMM to OIT (RS-422/RS-485)

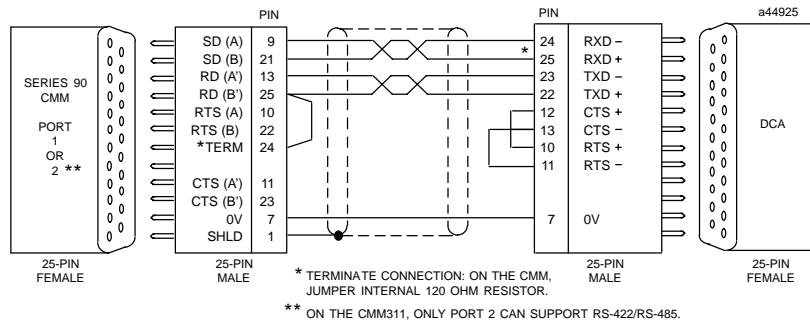


Figure 8-10. CMM to Series One/Series Three DCA (RS-422/RS-485)

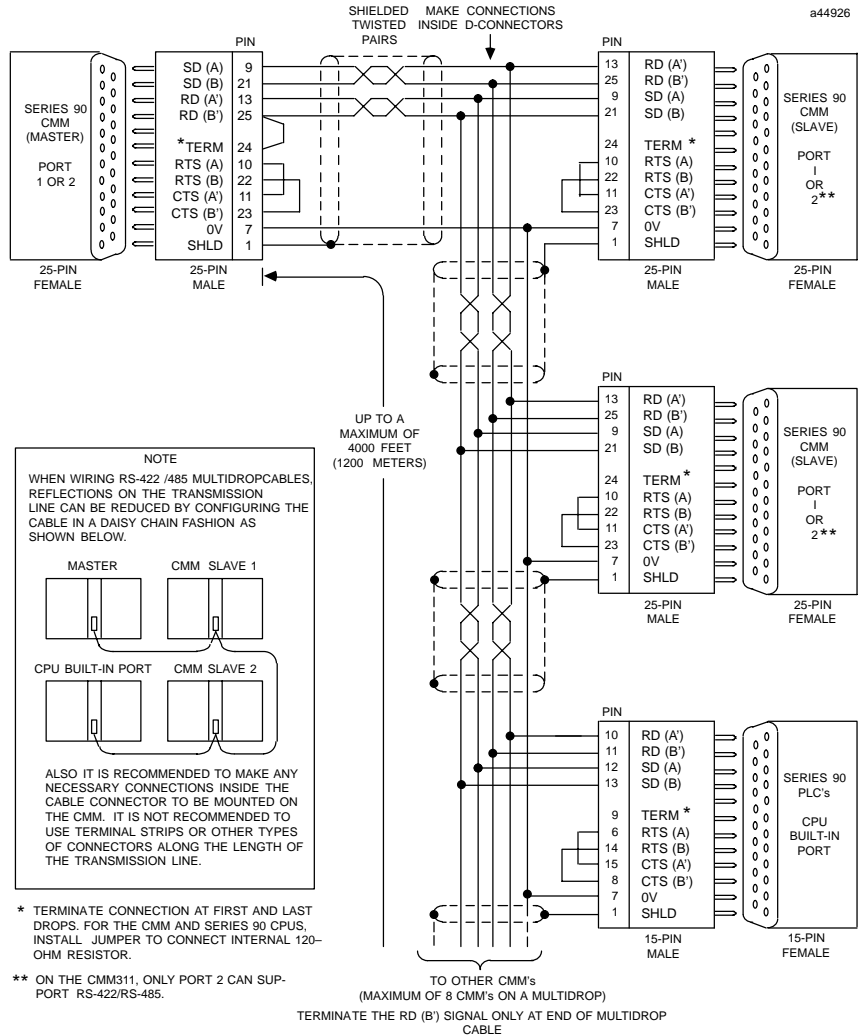


Figure 8-11. CMM or Host Computer to Multiple CMMs (4-Wire Multidrop)

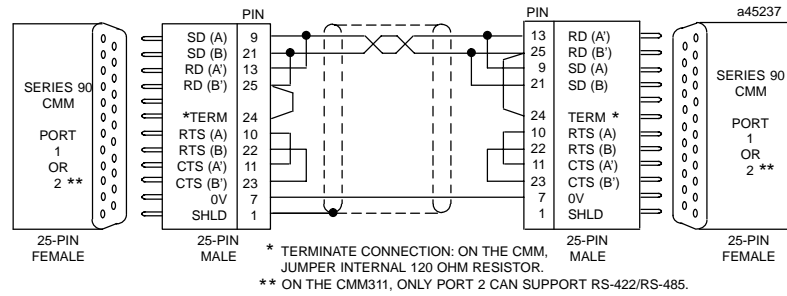


Figure 8-12. CMM to CMM (2-Wire RS-422/RS-485)

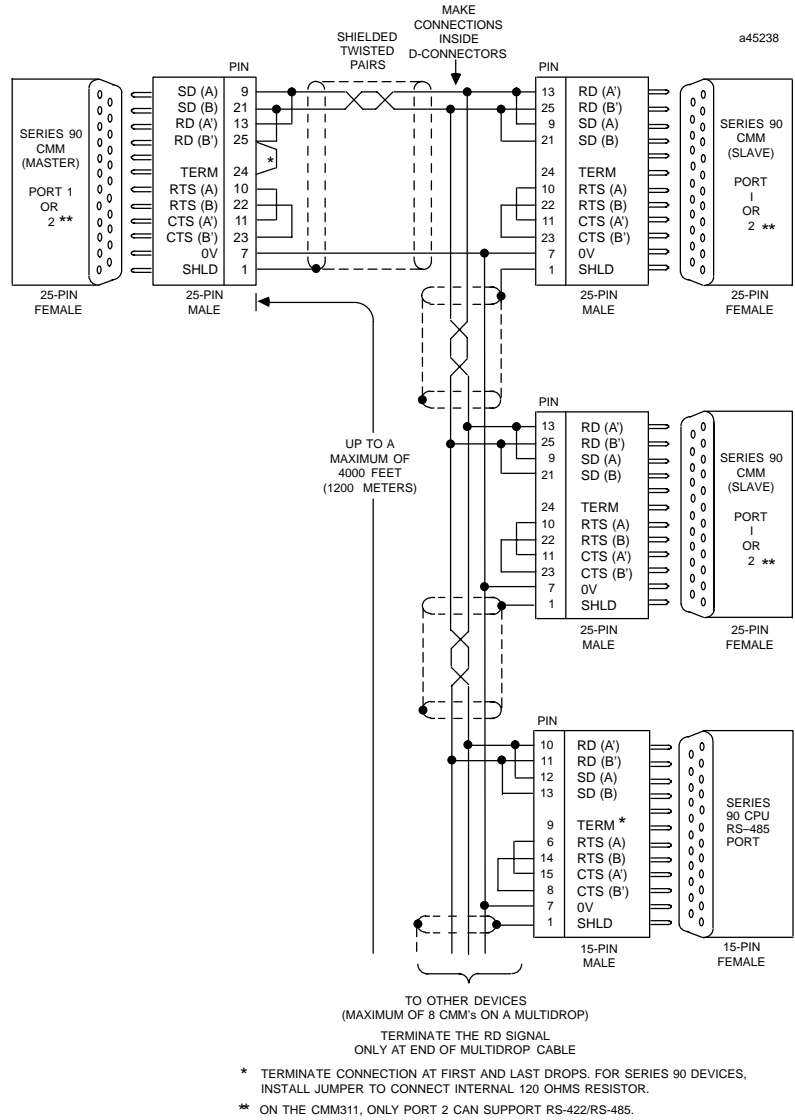


Figure 8-13. CMM to Multiple CMMs (2-Wire Multidrop)

2–Wire and 4–Wire RTU RS422/RS485 Cable Connections

The RTU protocol only supports half duplex operation; however, it may be wired in either a 2–wire or 4–wire arrangement. In 4–Wire RTU, the four wires are comprised of two transmit wires and two receive wires (see the following “RTU Wiring Diagrams” section). In 2–Wire RTU, the transmit and receive pins are jumpered together in a parallel connection on the serial port connector at each device so that the two wires are shared by the transmit and receive functions. In the 2–Wire figures below, notice that SD (A) is jumpered to RD (A’), and SD (B) is jumpered to RD (B’).

Signal Ground Wire and Cable Considerations

Note the use of a separate signal ground (0–volt) wire in the next several figures. Although called 2–Wire RTU, and 4–Wire RTU, we recommend you use an additional wire for the signal ground connection, especially under the following conditions:

- There is a chance of significant electrical noise being introduced into the signal lines.
- The lines are long enough to significantly attenuate the signal or produce a significant difference in ground potential.
- In environments where excessive electrical noise is generated (for example, near spot welders, high voltage lines, large motors, etc.) or in localities subject to frequent electrical storms.

Note that the cable shield should only be grounded at one end, and the signal lines should be twisted–pair. For installations where an added degree of reliability and security is desired or where noise is known to be a problem, the application of port isolators is recommended (see the section “Isolators” below). The use of high quality, low–capacitance cable can help ensure reliable communications, especially over longer distances. Some cable manufacturers produce cable that is rated for RS–485 use. Also, Category 5 Ethernet cable (TIA/EIA 568–A) is sometimes a good lower–cost match for this application. Check with your cable vendor for recommendations.

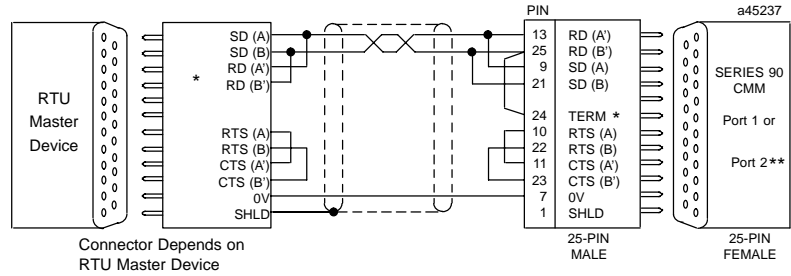
Termination

Two termination resistors are required across the RD (receive) conductors for these wiring schemes – whether there are only two devices connected in a point–to–point arrangement, or whether there are several devices connected in a multi–drop arrangement. The resistance value chosen should be close to the characteristic impedance of the cable (typically, 120 ohms). For RTU 2–Wire, the termination resistors should be across the extreme ends of the twisted–pair. In RTU 4–Wire, there are two twisted pairs. Each twisted pair should have one termination resistor, mounted on the receive end, across RD (A’) and RD (B’), of the twisted pair. See the following “RTU Wiring Diagrams” section for examples of this.

Isolators

Isolators are recommended for high noise environments or for long cable runs to further reduce the chance of noise intrusion or damage due to ground imbalance. The GE Intelligent Platforms IC690ACC903 Port Isolator is suitable for this purpose. For use with RTU protocol, this unit will connect directly to the 15–pin Port 2 connector of the CPU351, 352, and 363 modules, but will require a custom–built cable to adapt to the 25–pin connectors on the CMM modules. Appendix G has data on the IC690ACC903 isolator.

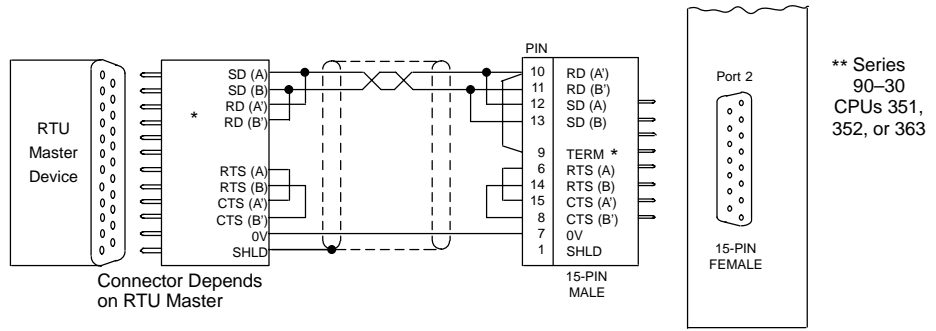
RTU Wiring Diagrams



* TERMINATION CONNECTIONS: On the CMM, jumper pins 24 and 25 to connect internal 120 ohm resistor. If RTU master device does not have an internal termination resistor, connect resistor across RD (A) and RD (B) at the RTU master device end.

** On the CMM311, only Port 2 can support RS-422/RS-485.

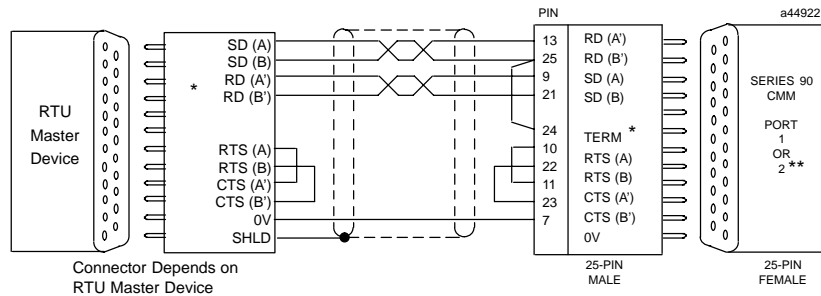
Figure 8-14. 2-Wire RTU (RS-422/RS-485) Master to CMM



* TERMINATION CONNECTIONS: On the CPU end, jumper pins 9 and 10 (as shown) to connect internal 120 ohm resistor. If RTU master device does not have internal termination resistor, connect 120 ohm resistor across RD (A) and RD (B) at the RTU master device end.

** On CPUs 351, 352, and 363, only Port 2 supports both RTU and RS-422/RS-485

Figure 8-15. 2-Wire RTU (RS-422/RS-485) Master to Series 90-30 CPU



* TERMINATION CONNECTIONS: On the CMM, jumper pins 24 and 25 to connect the internal 120 ohm resistor. If the RTU master device does not have an internal termination resistor, connect a resistor across RD (A) and RD (B) at the RTU master device end.

** On the CMM311, only Port 2 supports RS-422/RS-485.

Figure 8-16. 4-Wire RTU (RS422/485) Master to CMM

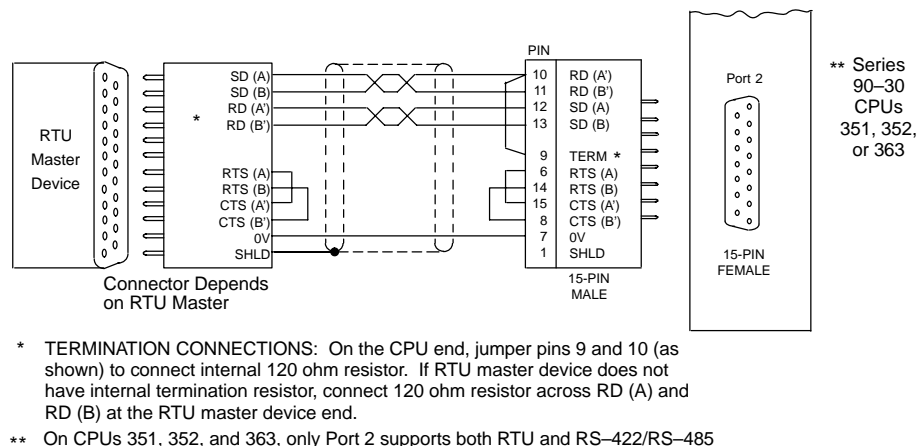


Figure 8-17. 4-Wire RTU (RS-422/RS-485) Master to Series 90-30 CPU

Handling the 2-Wire RTU Message 08 Issue

2-Wire RTU Message 08 Overview

Because the transmit and receive lines are paralleled in a 2-Wire RTU configuration, a device sees its own response messages on its receive input. Normally, the device would read its own message header data and determine that the message was not a query and, therefore, would ignore it. However, Message 08, Diagnostic Code 0 or 1, whose query and response are identical, are read by the receive logic as queries, which would result in an endless cycle of queries and responses, making the port unusable until the cycle is broken (by, for example, power cycling the PLC). The following topic describes how this issue is handled in GE products.

CMM modules

No configuration settings are provided for the Duplex Mode parameter. A CMM (both Series 90-30 and 90-70) can handle either type of connection scheme; however, to avoid locking its serial port in an endless query-response loop, we recommend that when using the 2-Wire connection method you do not attempt to send a Loopback/Maintenance message (Message 08). For details, please see the “Operating Note” item for RTU Message (08), found in the RTU section of Chapter 7.

IC693CPU351 or 352 with Firmware Release 8.xx

These two CPU modules have supported the RTU slave protocol since firmware release 8.00. In a 2-wire system on Port 2, if equipped with firmware release 8.00 and 8.11, these modules can experience the problem describe earlier for Message 08, Diagnostic Code 0 or 1 (this is not a problem in firmware release 9.00 or later). For those two messages, the query and response are identical, so response messages would be read by the input (read) logic as queries, which would result in an endless cycle of queries and responses. For CPUs with this older firmware, we recommend two possible courses of action:

- **Work-around solution:** When using the 2-Wire connection method, do not attempt to send a Loopback/Maintenance message (Message 08).
- **Upgrade solution:** Upgrade your CPU firmware to a newer version (9.00 or later) that can handle Message 08 without a problem. The upgrade is accomplished by loading a new

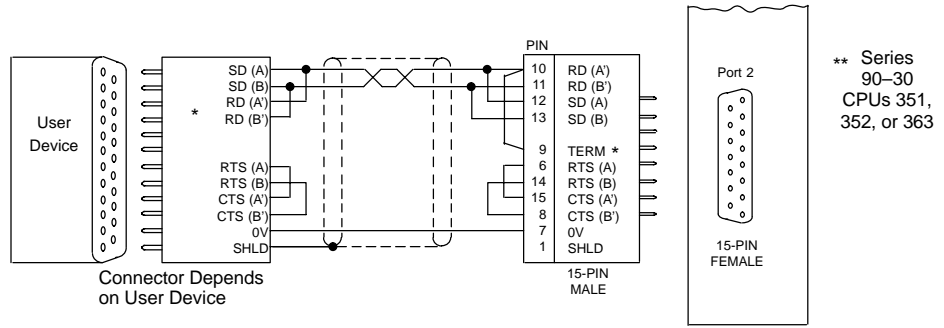
firmware file to your CPU through Port 1. Please call your distributor for upgrade information for these two CPUs.

IC693CPU351, 352, or 363 with Firmware Release 9.00 and Later

The Message 08 issue was addressed in Series 90–30 CPU firmware release 9.00 by disabling the modules' Port 2 input (read) circuits when the output (write) circuits are transmitting. CPU363 was equipped with firmware release 9.00 for its initial release (as a new product). So when using RTU 2–Wire with any version of the CPU363, or with version 9.00 (or later) of either CPU351 or CPU352, the Message 08 issue is not a problem.

2-Wire and 4-Wire RS-422/RS-485 Serial I/O Connections

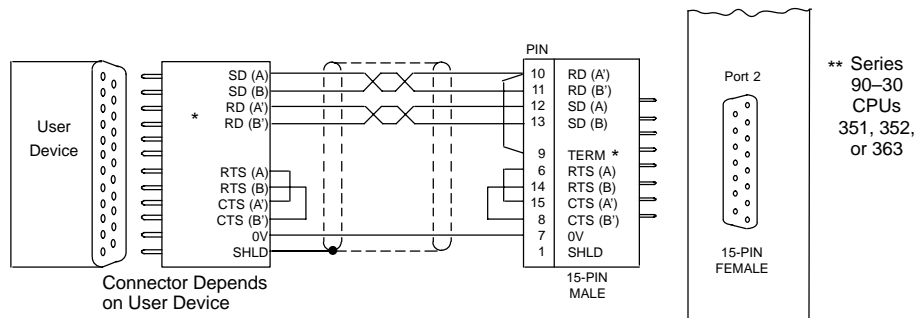
Connection Diagrams



* TERMINATION CONNECTIONS: On the CPU end, jumper pins 9 and 10 (as shown) to connect internal 120 ohm resistor. If user device does not have internal termination resistor, connect 120 ohm resistor across RD (A) and RD (B) at the user device end.

** On CPUs 351, 352, and 363, only Port 2 supports both Serial I/O and RS-422/RS-485

Figure 8-18. 2-Wire Serial I/O (RS-422/RS-485) CPU to User Device



* TERMINATION CONNECTIONS: On the CPU end, jumper pins 9 and 10 (as shown) to connect internal 120 ohm resistor. If user device does not have internal termination resistor, connect 120 ohm resistor across RD (A) and RD (B) at the user device end.

** On CPUs 351, 352, and 363, only Port 2 supports both Serial I/O and RS-422/RS-485

Figure 8-19. 4-Wire Serial I/O (RS-422/RS-485) CPU to User Device

Configuring Serial I/O Duplex Mode Parameter

Series 90-30 CPUs 351, 352, and 363 have supported the Serial I/O protocol Write mode since firmware release 8.00. Starting with firmware release 9.00, these modules were given a Duplex Mode parameter that allows 2-Wire or 4-Wire selection. Starting with firmware release 10.00, CPUs 352 and 363 support the Serial I/O Read mode also. However, GE does not plan to update CPU351 beyond firmware release 9.11; therefore, CPU351 will not support Serial I/O Read. The following table gives details on product support for Serial I/O.

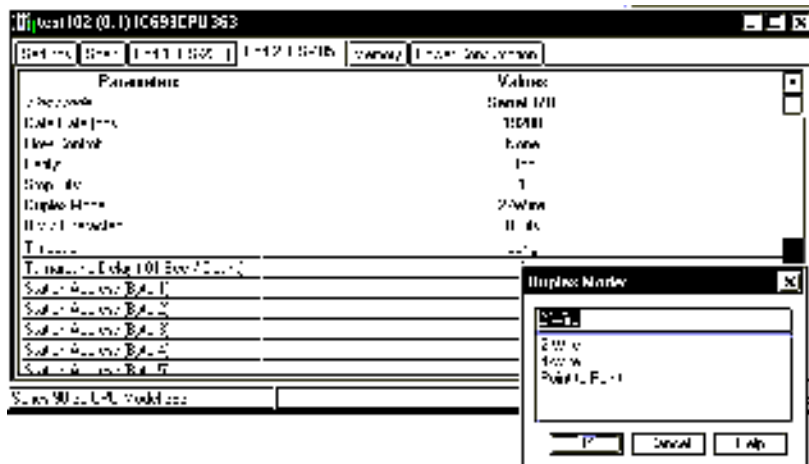
Table 8-2. Products Supporting the Serial I/O Feature

Product	Serial I/O Write	Serial I/O Read**	Duplex Mode Configuration
CPU351, Ports 1 and 2	Supported, starting with firmware release 8.00	Not available*	Only on Port 2 and only with a COMMREQ
CPU352, CPU363, Ports 1 and 2	Supported, starting with firmware release 8.00	Supported, starting with firmware release 10.00**	Only on Port 2 using either a COMMREQ or VersaPro 1.1 (or later) software
CPU351, CPU352, CPU363, Standard SNP port (via power supply connector)	Not supported	Not supported	N/A
Series 90–30 CPUs: 311–341 Series 90–70 CPUs: All	Not supported	Not supported	N/A

* Firmware 10.00, required for Serial I/O Read, will not be made available for CPU351.

** The Serial I/O Read feature requires the use of VersaPro 1.1 (or later version) PLC programming software. It is currently not supported by other programming software.

VersaPro Software. In VersaPro 1.10 (or later version), the “Duplex Mode” parameter for Serial I/O on Port 2 can be changed on a CPU352 or CPU363 module’s Port 2 configuration screen. This Duplex Mode parameter is only supported in VersaPro 1.10 or later; it is not supported in Logicmaster or Control as of this writing. The following figure shows an example of a VersaPro Port 2 configuration screen for a CPU363. (Port 1, which only supports RS–232 on these modules, does not have a Duplex Mode parameter.).

**Figure 8-20. Duplex Mode Selection in CPU Port 2 Configuration Window**

COMMREQ: The Serial I/O Duplex Mode parameter setting may be made with a Communications Request (COMMREQ) instruction for Port 2 on the CPU351, CPU352, or CPU363 modules. Port 1, which is an RS–232 port only, does not support a Duplex Mode parameter. See the topic “Configuring Serial Ports 1 and 2 with a COMMREQ” in Chapter 3 for details.

Section 4: IC693CBL316 Serial Cable

Description

The IC693CBL316 cable is a 10-foot (3-meter) long, shielded cable with a 9-pin D-shell connector on one end and a 6-pin RJ-11 connector on the other. This cable is also known as a “Station Manager Cable.” This cable can interconnect RS-232 ports without the need for a converter.

Typical Applications

- Connect a Personal Computer’s 9-pin serial port to the RJ-11 faceplate serial port on CPUs 351, 352, and 363 for programming, configuring, firmware updating, and monitoring purposes.
- Connect a Personal Computer’s 9-pin serial port to the Station Manager port on an IC693CMM321 or IC697CMM742 Ethernet module or on an IC693CPU364 CPU module, which has a built-in Ethernet interface.
- Connect a Personal Computer’s 9-pin serial port to an IC693DSM302 module’s RJ-11 COMM port for loading motion programs (1 - 10) and firmware.
- Connect a Personal Computer’s 9-pin serial port to an IC693DSM314 module’s RJ-11 COMM port for loading firmware (motion programs for this module are loaded across the PLC backplane).
- Connecting to Port 1 of Series 90–70 CPUs CPX772, CPX782, CPX928, and CPX935.

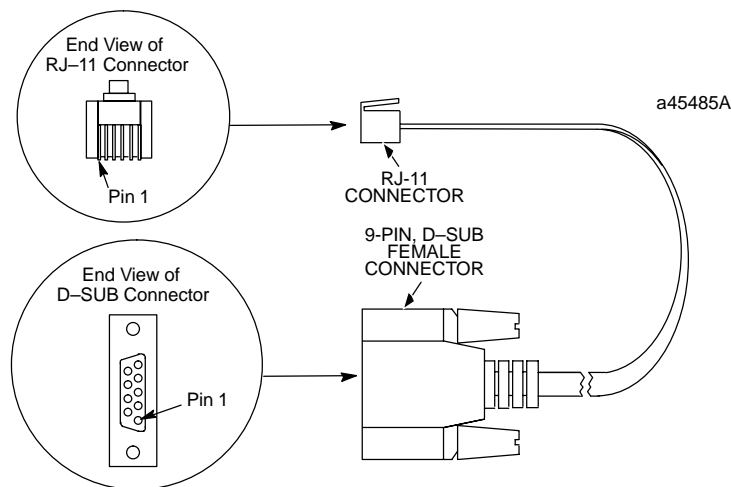


Figure 8-21. IC693CBL316A Serial Cable

Table 8-3. IC693CBL316A Pin-Out Connections

9-Pin Connector	RJ-11 Connector
7	1
2	2
5	3
5	4
3	5
8	6

Section 5: IC690CBL714A Multidrop Cable

Purpose

This cable has a number of possible applications with Series 90 products:

- To interconnect Series 90-30 PLCs or redundant Series 90-30 PLCs in a multidrop configuration.
- To interconnect a Series 90-30 PLC and APM module in a multidrop configuration with a single personal computer (programmer). This allows programming and troubleshooting both PLC and APM without moving connection cables.
- To interconnect Series 90-70 or redundant Series 90-70 PLCs in a multidrop configuration.

Please see the section “Application Example for Cable IC690ACC714A” later in this chapter.

Specifications

- **Connector A:** DB15F, 15-pin female connector with M3 latching blocks
- **Connectors B and C:** DB15M, 15-pin right angle, male connector with spring clips
- **Wire:** Cable consists of three individually shielded pairs of 22-gauge stranded conductors. Belden #8777 or equivalent.
- **Jumpers:** All jumpers are made of #22 AWG (UL1061) insulated wire.
- **Length:** The length from the back of Connector A to entry into Connector B is 6 inches (+/- 0.5 inch). The length from the back of Connector C to entry into Connector B is 40 inches (+/- 1.0 inch).

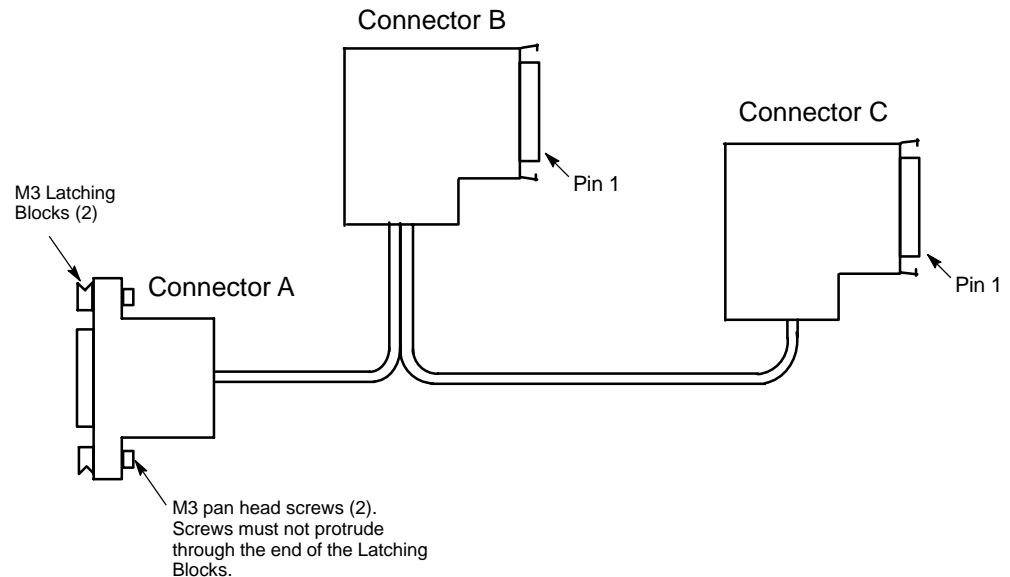
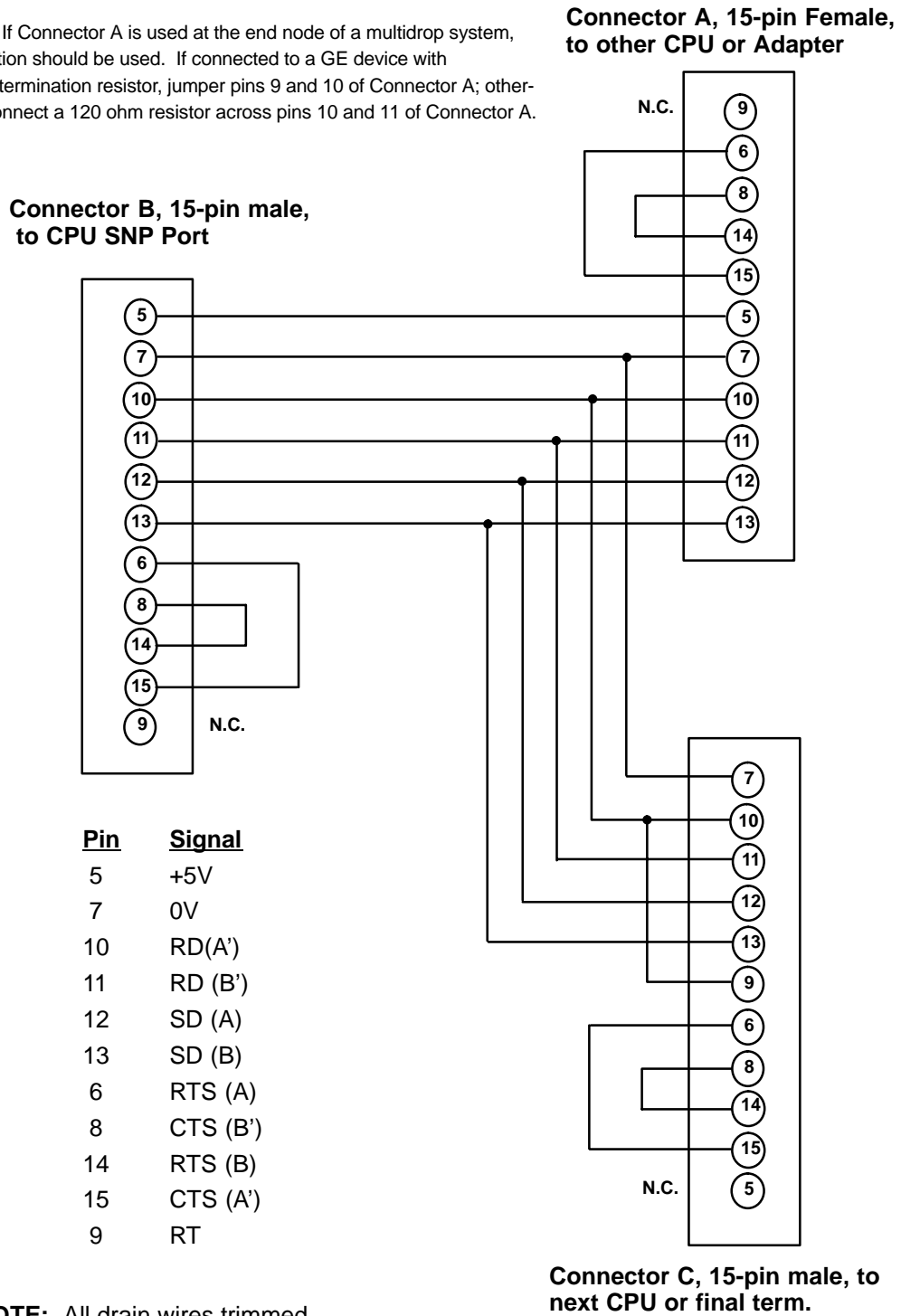


Figure 8-22. IC690CBL714A Cable Drawing

IC690CBL714A Multi-Drop Cable Wiring Diagram

NOTE: If Connector A is used at the end node of a multidrop system, termination should be used. If connected to a GE device with built-in termination resistor, jumper pins 9 and 10 of Connector A; otherwise, connect a 120 ohm resistor across pins 10 and 11 of Connector A.

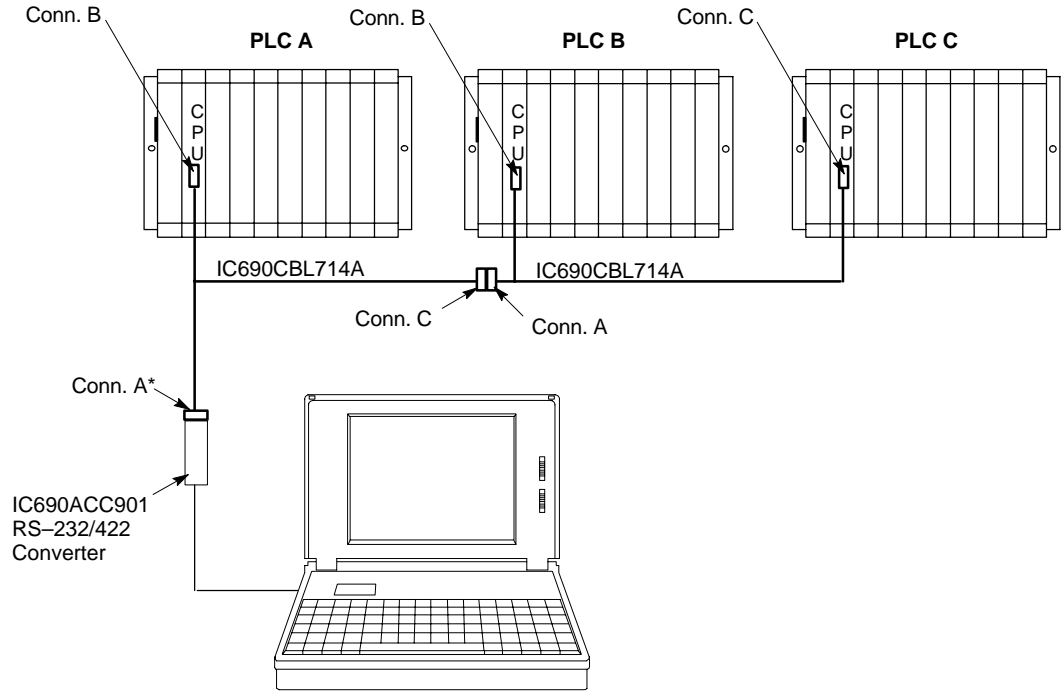


NOTE: All drain wires trimmed flush with jacket.

Figure 8-23. Wiring Diagram for Multidrop Cable IC690CBL714A

Application Example for Cable IC690CBL714A

a47100



* Jumper pins 9 and 10 on Connector A to use the IC690ACC901's internal termination resistor

Figure 8-24. IC690CBL714A Application Example

Note: Please see Appendix H, "SNP Multidir op," for more example applications for the IC690CBL714A cable.

Chapter 9

Serial I/O Protocol

This chapter describes the Serial I/O protocol, (formerly called Custom Protocol or Generic Output) which allows you to create a “custom protocol” in ladder logic to control a variety of communication activities through a CPU serial port. Serial I/O uses a series of Communications Request (COMMREQ) ladder logic instructions to accomplish this.

As of this writing, the Serial I/O function only applies to the following three Series 90 CPUs: IC693CPU351, 352, and 363. Note that the CPU351 cannot perform Serial I/O Read functions. CPUs 352 and 363 can perform all Serial I/O tasks. Serial I/O is implemented in a similar manner in the VersaMax PLC (for information, see GFK-1503, *VersaMax PLC User's Manual*).

This chapter also contains instructions for using COMMREQs to configure the CPU serial ports for SNP, RTU, or Serial I/O protocol and for switching from one protocol to another on a given port.

Content of this chapter:

- **Overview of Serial I/O Protocol Communications**
- **Format of the COMMREQ function**
- **Configuring Serial Ports Using the COMMREQ Function**
 - RTU Slave/SNP Slave Operation with a Programmer Attached
 - COMMREQ Command Block for Configuring SNP Protocol
 - COMMREQ Data Block for Configuring RTU Protocol
 - COMMREQ Data Block for Configuring Serial I/O
- **Serial I/O COMMREQ Commands**
 - Initialize Port
 - Set Up Input Buffer
 - Flush Input Buffer
 - Read Port Status
 - Write Port Control
 - Cancel Operation
 - Autodial
 - Write Bytes
 - Read Bytes
 - Read String

Example of Serial I/O Communication

In Serial I/O communications, a COMMREQ instruction controls data flow between an external device and user memory. The example shown in the figure below is for a Read operation.

All data read from an external device is buffered through the Internal Input Buffer. The Internal Input Buffer is required because the PLC CPU and the external device do not run in synchronization. So the data is temporarily stored in the buffer until the PLC CPU is ready to read it. The Internal Input Buffer is not a part of user memory. Its data can only be accessed by using the appropriate COMMREQ, discussed later in this chapter. Data written from the PLC to an external device does not pass through the Internal Input Buffer

The Internal Input Buffer has a maximum size of 2K bytes (the default setting). Data is read out of the buffer sequentially on a First-In-First-Out (FIFO) basis. As data is read, it is removed from the buffer, which makes room for incoming data. The COMMREQ instruction can specify how much data is to be read from the buffer; it doesn't have to read the entire buffer.

In the figure below, the arrow lines indicate that data flows from the Internal Input Buffer to User Data Memory and that this data flow is controlled and directed by the COMMREQ. In Serial I/O communications, COMMREQs must be used to (1) control communications setup functions, and (2) to direct the transfer of data, either to or from the serial port. Several COMMREQs may be required to perform a complete communication cycle (see the next section).

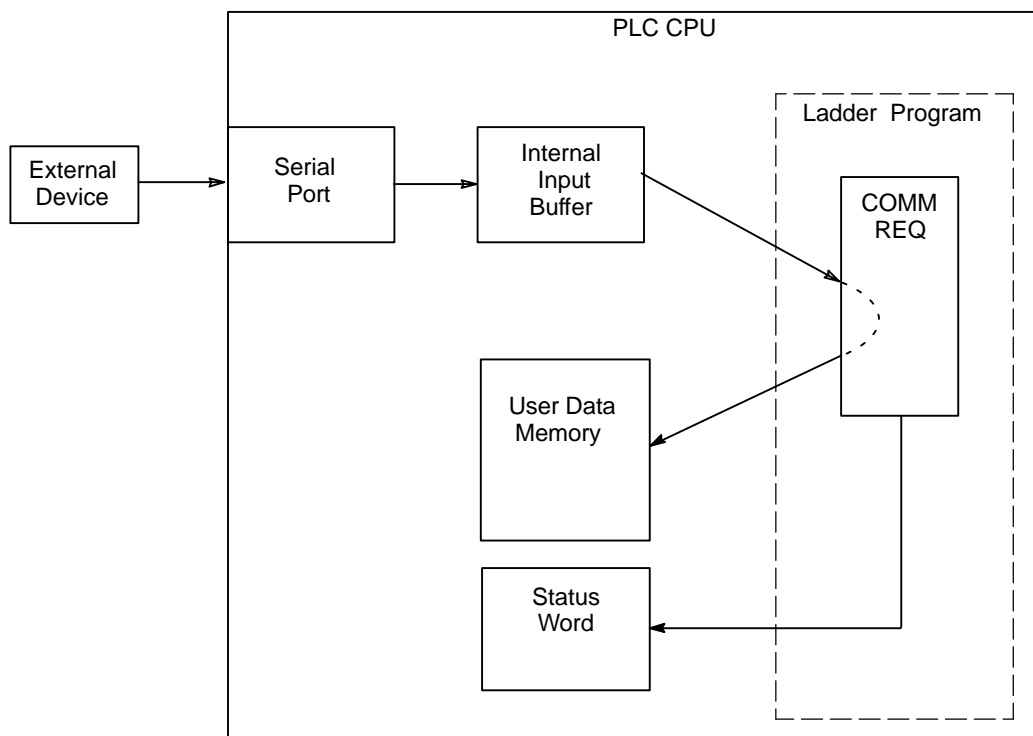


Figure 9-1. Serial I/O Data Read Overview

Serial Communications Sequence of Operations

A Serial I/O communication sequence generally requires several steps. The number of steps varies with the application and with the degree of error checking desired. The following example lists a sequence for reading data through an external modem. Since, in this example application, this sequence is only used occasionally, the modem is connected and disconnected each time the sequence is run.

Example Serial I/O Communication Sequence

1. Ensure that any previous data transfer is complete. If not complete, determine if communications are still proceeding. If still proceeding, delay and retest until complete before proceeding to the next step. You could use the Read Port Status COMMREQ (4303) or the COMMREQ's Status Word to determine the communication status.
2. Once assured that there is no other communication in progress through this port, implement a Flush Input Buffer COMMREQ (4302) to ensure buffer is empty. If a data transfer was interrupted or if the Internal Input Buffer was only partially read, some data may still be in the buffer.
3. Implement an Autodial COMMREQ (4400) to connect to the modem.
4. Implement a Read Bytes COMMREQ (4402) or Read String COMMREQ (4403) to read the incoming data.
5. Implement a Read Port Status COMMREQ (4303) to check whether the read data function was completed. If it was not completed, you will probably wish to repeat steps 2. and 4. before proceeding to step 6. If the communication completed, but you wish to perform another read communication, you can repeat step 4. and this step before proceeding to step 6.
6. After all data is successfully transferred, implement an Autodial COMMREQ (4400) to send the hang up command string to disconnect the modem.

Operating Notes

Note that the data placed in the specified user data memory area by a Read Bytes or Read String COMMREQ will be overwritten the next time that COMMREQ runs. If the data is to be stored for future use, you will need to move the data into another memory area before that COMMREQ runs again.

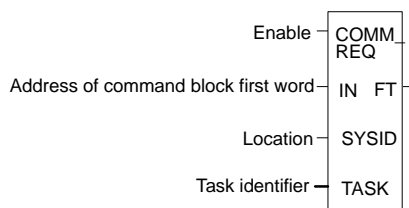
Step 5. includes error checking to ensure that data was transferred correctly. If not transferred correctly, corrective action could be taken by repeating steps 2. and 4. You would need to limit the number of these retries to avoid the possibility of an endless loop. To facilitate this, you could program each step in a separate subroutine block and call each one in the proper order from the main program block or from another subroutine block. This would allow you to more easily repeat portions of the communication cycle by simply calling the applicable blocks. Also, this modular programming style is generally more easily maintained and understood, and it lends itself to a team programming strategy.

Format of the Communication Request Function

Serial I/O is implemented through the use of Communication Request (COMMREQ) functions. The operations of the protocol, such as transmitting a character through the serial port or waiting for an input character, are implemented through the COMMREQ function block.

The COMMREQ requires that all its command data be placed in the correct order (in a *command block*) in the CPU memory before it is executed. The COMMREQ should then be executed by a contact of a transition (one-shot) coil to prevent sending the data multiple times. A series of Block Move (BLKMV) commands should be used to move the words to create a command block in the Register tables.

The COMMREQ function has three inputs and one output. When the function receives power flow, a command block of data is sent to the specified module.



Parameters of the COMMREQ Function

Input/Output	Choices	Description
Enable	On or Off	When the Enable input goes high, the communications request is performed.
IN	R, AI, AQ	IN contains the address of the first word of the command block.
SYSID	I, Q, M, T, G, R, AI, AQ, constant	SYSID contains the rack number (most significant byte) and slot number (least significant byte) of the target device. For the CPU, SYSID must specify rack 0, slot 1 (0001 hex).
TASK	R AI, AQ, constant	TASK specifies which port on the target device will be used: task 19 (13 Hex) for port 1 task 20 (14 Hex) for port 2
FT	High, Low	FT goes high if an error is detected processing the COMMREQ: <ul style="list-style-type: none"> The specified target address is not present (SYSID). The specified task is not valid for the device (TASK). The data length is 0. The device's status pointer address (in the command block) does not exist.

Command Block for the COMMREQ Function

The Command Block starts at the reference specified in COMMREQ parameter IN. The length of the Command Block depends on the amount of data sent to the device.

The Command Block contains the data to be communicated to the other device, plus information related to the execution of the COMMREQ. The Command Block has the following basic structure, which will vary somewhat for the different COMMREQ commands:

address	Length (in words) of Data Block
address + 1	Wait/No Wait Flag
address + 2	COMMREQ Status Word Memory type code
address + 3	COMMREQ Status Word Pointer Offset value
address + 4	Idle Timeout Value
address + 5	Maximum Communication Time
address + 6 to address + 133	Data Block (Actual Length Depends on Command Number)

Example of a Serial I/O COMMREQ Instruction

The following example is of a Read Port Status Function, COMMREQ #4303. In the example, when %M0021 (should be a transition type) is ON, a Command Block whose location starts at %R0032 (specified at the IN input) controls communications through Port 2 (specified by TASK input = 20, (14hex)) of the CPU (rack 0, slot 1, specified by SYSID = 0001). If an error occurs processing the COMREQ, %Q0110 is set by the FT (Fault) output. When the port status data is read, the results are placed in two words (32 bits), starting at address %M0101.

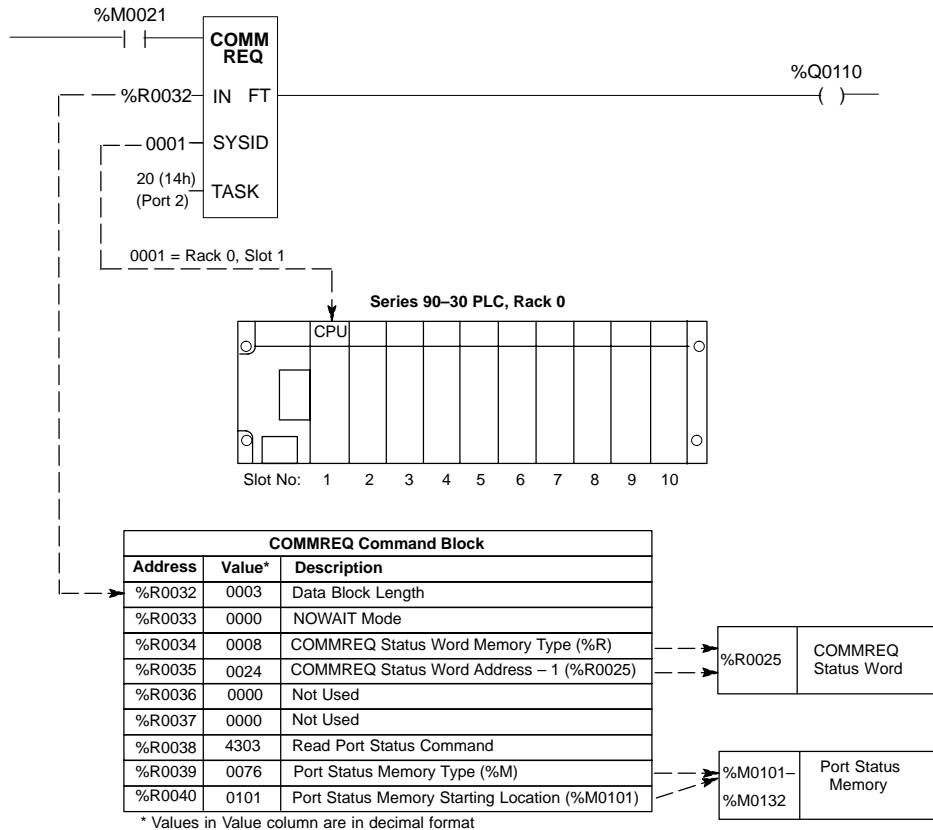


Figure 9-2. Serial I/O Read Port Status COMMREQ Example

PLC Memory Type Codes for COMMREQs

Two possible parameters of the COMMREQ require the specification of a PLC Memory Type. These parameters are used to (1) specify the memory type for data areas read or written, and (2) specify the memory type for the COMMREQ status word. The following table identifies the valid set of PLC Memory Types, the access codes and unit lengths by which each type can be accessed, and the valid ranges of each type. The valid ranges may vary for different PLC CPU models.

Table 9-1. Memory Types, Unit Lengths, and Valid Ranges

PLC Memory Type ³	Type Code		Unit Length	Valid Range ¹
	Dec	Hex		
Registers (%R)	08	08h	word	1-maximum units
Analog Inputs (%AI)	10	0Ah	word	1-maximum units
Analog Outputs (%AQ)	12	0Ch	word	1-maximum units
Discrete Inputs (%I)	70	46h	bit	1-maximum units
	16	10h	byte	1-maximum units ²
Discrete Outputs (%Q)	72	48h	bit	1-maximum units
	18	12h	byte	1-maximum units ²
Discrete Temporaries (%T)	74	4Ah	bit	1-maximum units
	20	14h	byte	1-maximum units ²
Discrete Internals (%M)	76	4Ch	bit	1-maximum units
	22	16h	byte	1-maximum units ²
Discretets (%SA)	78	4Eh	bit	1-maximum units
	24	18h	byte	1-maximum units ²
Discretets (%SB)	80	50h	bit	1-maximum units
	26	1Ah	byte	1-maximum units ²
Discretets (%SC)	82	52h	bit	1-maximum units
	28	1Ch	byte	1-maximum units ²
Discretets (%S) (read only)	84	54h	bit	1-maximum units
	30	1Eh	byte	1-maximum units ²
Genius Global Data (%G)	86	56h	bit	1-maximum units
	56	38h	byte	1-maximum units ²

- ¹ The maximum addressable ranges for each memory type depends on the model of CPU and memory configuration.
- ² When using a byte-oriented memory type, the corresponding memory address offsets and number of elements are expressed in bytes, not bits.
- ³ Bit type memory does not have to be byte-aligned.

Notes

There is no difference between bit and byte-oriented memory types in terms of processing speed, message length or message transfer time.

COMMREQ Status Word Pointer memory type is 0-based. The Data Area memory is 1-based.

Configuring Serial Ports Using the COMMREQ Function

The following tables list the command block values required for setting up a Serial Port for SNP, RTU, and Serial I/O. All values are in hexadecimal unless otherwise indicated. The BLKMOV commands that are used to create the command block are described in the example.

Timing

If a port configuration COMMREQ is sent to a serial port that currently has an SNP/SNPX master (for example, the programmer) connected to it, the serial port configuration specified by the COMMREQ does not take effect until the CPU detects a loss of the SNP/SNPX master. This occurs the configured T3' time after the master disconnects. The COMMREQ status word for the port configuration COMMREQ is updated as soon as the CPU verifies that the specified configuration is valid. That means a COMMREQ Successful value may be returned by the Port Configuration COMMREQ before the specified configuration is actually installed.

Sending Another COMMREQ to the Same Port

The application program must wait at least 2 seconds after a new serial port protocol is installed before sending any COMMREQs specific to that protocol to the port. This applies to a new protocol installed by Storing a new hardware configuration or by a port configuration COMMREQ. If the port is configured for Serial I/O, this waiting period must also follow any Stop to Run mode transition of the CPU.

Invalid Port Configuration Combinations

The configurations of both ports must be compatible. The CPU rejects the following combinations:

<i>Port 1</i>	<i>Port 2</i>
Disabled	Disabled
Disabled	Serial I/O (CPU Run/Stop switch disabled)
Serial I/O (CPU Run/Stop switch disabled)	Disabled
Serial I/O (CPU Run/Stop switch disabled)	Serial I/O (CPU Run/Stop switch disabled)

RTU Slave/SNP Slave Operation With Programmer Attached

A programmer (computer) can be attached to port 1 or port 2 while RTU Slave mode is active on the port. For multi-drop connections, the CPU must have been configured to use an appropriate PLC ID. Note that for a multi-drop SNP connection with the port currently configured for RTU, the SNP ID associated with the CPU settings must match the multi-drop ID.

The programmer must use the same serial communications parameters (baud rate, parity, stop bits, etc.) as the currently-active RTU Slave protocol for it to be recognized.

When the CPU recognizes the programmer, the CPU removes the RTU Slave protocol from the port and installs SNP Slave as the currently-active protocol. The SNP ID, modem turnaround time, and default idletime for this new SNP Slave session are obtained from the configured CPU settings, not the port 1 or port 2 configurations. Connection should be established within 12 seconds. When the programmer connection has been enabled, normal programmer communications can take place. (Failure of the programmer to establish communications within 12-seconds is treated as a Loss of Programmer Communications).

The programmer may send a new protocol via configuration or a Serial Port Setup COMMREQ. (COMMREQs not supported by SNP Slave protocol are rejected). If a new protocol is received, it will not take effect until the programmer is disconnected.

After the programmer is removed, there is a slight delay (equal to the configured SNP T3' timeout) before the CPU recognizes its absence. During this time, no messages are processed on the port. The CPU detects removal of the programmer as an SNP Slave protocol timeout. Therefore, it is important to be careful when disabling timeouts used by the SNP Slave protocol.

When the CPU recognizes the disconnect, it reinstalls RTU Slave protocol, unless a new protocol has been received. In that case, the CPU installs the new protocol instead.

Example

1. Port 1 is running RTU Slave protocol at 9600 baud.
2. A programmer is attached to port 1. The programmer is using 9600 baud.
3. The CPU installs SNP Slave on port 1 and the programmer communicates normally.
4. The programmer stores a new configuration to port 1. The new configuration sets the port for SNP Slave at 4800 baud (it will not take effect until the port loses communications with the programmer).
5. When the CPU loses communications with the programmer, the new configuration takes effect.

COMMREQ Command Block for Configuring SNP Protocol

Table 9-2. COMMREQ Command Block for SNP

	Values	Meaning
Address	10H	Data Block Length
Address + 1	0 = No Wait	WAIT/NOWAIT Flag
Address + 2	0008 = %R, register memory	Status Word Pointer Memory Type
Address + 3	Zero-based number that gives the address of the COMMREQ status word (for example, a value of 99 gives an address of 100 for the status word)	Status Word Pointer Offset
Address + 4	0 (Only used in Wait/No Wait mode)	Idle Timeout Value
Address + 5	0 (Only used in Wait/No Wait mode)	Maximum Communication Time
Address + 6	FFF0H	Command Word (serial port setup)
Address + 7	0001	Protocol: 1=SNP
Address + 8	0000=Slave	Port Mode
Address + 9	7=38400, 6=19200, 5=9600, 4=4800	Data Rate
Address + 10	0 = None, 1 = Odd, 2 = Even	Parity
Address + 11	1 = None	Flow Control
Address + 12	0 = None, 1 = 10ms, 2 = 100ms, 3 = 500ms	Turnaround Delay
Address + 13	0 = Long, 1 = Medium, 2 = Short, 3 = None	Timeout
Address + 14	1 = 8 bits	Bits Per Character
Address + 15	0 = 1 Stop Bit, 1 = 2 Stop bits	Stop Bits
Address + 16	not used	Interface
Address + 17	not used	Duplex Mode
Address + 18	user-provided*	Device identifier bytes 1 and 2
Address + 19	user-provided*	Device identifier bytes 3 and 4
Address + 20	user-provided*	Device identifier bytes 5 and 6
Address + 21	user-provided*	Device identifier bytes 7 and 8

* The device identifier for SNP Slave ports is packed into words with the least significant character in the least significant byte of the word. For example, if the first two characters are “A” and “B,” the Address + 18 will contain the hex value 4241.

COMMREQ Data Block for Configuring RTU Protocol

Table 9-3. COMMREQ Data Block for RTU

	Values	Meaning
Address	10H	Data Block Length
Address + 1	0 = No Wait	WAIT/NOWAIT Flag
Address + 2	0008 = %R, register memory	Status Word Pointer Memory Type
Address + 3	Zero-based number that gives the address of the COMMREQ status word (for example, a value of 99 gives an address of 100 for the status word)	Status Word Pointer Offset
Address + 4	0 (Only used in Wait/No Wait mode)	Idle Timeout Value
Address + 5	0 (Only used in Wait/No Wait mode)	Maximum Communication Time
Address + 6	FFF0H	Command
Address + 7	0003	Protocol: 0003=RTU
Address + 8	0000	Port Mode: 0000=Slave
Address + 9	6=19200, 5=9600, 4=4800	Data Rate
Address + 10	0 = None, 1 = Odd, 2 = Even	Parity
Address + 11	0 = Hardware, 1 = None	Flow Control
Address + 12	not used	Turnaround delay
Address + 13	not used	Timeout
Address + 14	not used	Bits per Character
Address + 15	not used	Stop Bits
Address + 16	not used	Interface
Address + 17	0 = 2-wire, 1 = 4-wire	Duplex Mode
Address + 18	Station Address (1-247)	Device Identifier
Address + 19-21	not used (contain all zeroes)	Device Identifier

COMMREQ Data Block for Configuring Serial I/O Protocol

Table 9-4. COMMREQ Data Block for Serial I/O

	Values	Meaning
Address	10H	Data Block Length
Address + 1	0 = No Wait	WAIT/NOWAIT Flag
Address + 2	0008 = %R, register memory	Status Word Pointer Memory Type
Address + 3	Zero-based number that gives the address of the COMMREQ status word (for example, a value of 99 gives an address of 100 for the status word)	Status Word Pointer Offset
Address + 4	0 (Only used in Wait/No Wait mode)	Idle Timeout Value
Address + 5	0 (Only used in Wait/No Wait mode)	Maximum Communication Time
Address + 6	FFF0H	Command
Address + 7	0005	Protocol: 0005=Serial IO
Address + 8	0 = Slave	Port Mode
Address + 9	6=19200, 5=9600, 4=4800	Data Rate
Address + 10	0 = None, 1 = Odd, 2 = Even	Parity
Address + 11	0 = Hardware, 1 = None	Flow Control
Address + 12	0 = None	Turnaround Delay
Address + 13	0 = Long	Timeout
Address + 14	0=7 bits, 1=8 bits	Bits per Character
Address + 15	0 = 1 stop bit, 1 = 2 stop bits	Stop Bits
Address + 16	not used	Interface
Address + 17	0 = 2-wire, 1 = 4-wire, 2 = point-to-point	Duplex Mode
Address + 18—21	not used	Device Identifier

Calling Serial I/O COMMREQs from the PLC Sweep

Implementation of a serial protocol using Serial I/O COMMREQs may be restricted by the PLC sweep time. For example, if the application protocol requires that a reply to a certain message from the remote device be initiated within 5mS of receiving the message, this method may not be successful if the PLC sweep time is 5mS or longer.

Since Serial I/O is completely driven by the application program, in STOP mode a port configured as Serial I/O automatically reverts to SNP slave to facilitate programmer communication. Therefore, while in Stop mode, Serial I/O protocol is not active; it is only active when the PLC is in Run mode.

Protocol Incompatibility

The COMMREQ function blocks supported by Serial I/O are not supported by other currently-existing protocols (such as SNP slave, SNP master, and RTU slave). Errors are returned if a Serial I/O COMMREQ is attempted for a port configured for one of those other protocols. To avoid this problem, you must configure the port for Serial I/O. There are two ways to do this:

1. Using the configuration software, configure the protocol for the applicable port to a setting of CUSTOM or Serial I/O. Either one or the other will be offered as a choice for ports supporting Serial I/O. For example, in VersaPro 1.1, in the CPU363 Serial Port configuration window, the Port Mode parameter choice would be Serial I/O. However, the term CUSTOM is used both in Logicmaster and in the VersaPro 1.1 Serial Port configuration window for CPU351.
2. Activate a COMMREQ that configures the applicable port for Serial I/O, as discussed in the previous section.

Serial I/O COMMREQ Status Word Codes

A value of 0001 (hex) is returned in the COMMREQ Status Word upon successful completion of the COMMREQ. Any other value returned is an error code where the low byte is a major error code and the high byte is a minor error code. In the table below, the codes are shown in decimal format with hexadecimal format in parentheses.

For example, a code of 0E0C (hex), has the following meaning:

- The 0C (the low byte) is the major error code and designates a “Local error.”
- The 0E (the high byte) is the minor error code and designates that “COMMREQ data is invalid.”

Major Error Code	Minor Error Code	Description
1 (01h)		Successful Completion (this is the expected completion value in the COMMREQ status word).
12 (0Ch)		Local error —Error processing a local command. The minor error code identifies the specific error.
	1 (01h)	Wait-type command is not permitted. Use No-Wait command.
	2 (02h)	COMMREQ command is not supported.
	5 (05h)	Error writing COMMREQ status word to PLC memory.
	6 (06h)	Invalid PLC memory type specified.
	7 (07h)	Invalid PLC memory offset specified.
	8 (08h)	Unable to access PLC memory.
	9 (09h)	Data length exceeded.
	12 (0Ch)	COMMREQ data block length too small.
	14 (0Eh)	COMMREQ data is invalid.
15 (0Fh)	Could not allocate system resources to complete COMMREQ.	
13 (0Dh)		Remote error — Error processing a remote command. The minor error code identifies the specific error.
	2 (02h)	String length exceeds end of reference memory type.
	3 (03h)	COMMREQ data block length is too small. String data is missing or incomplete.
	4 (04h)	Receive timeout awaiting serial reception of data
	48 (30h)	Serial output timeout. The serial port was unable to transmit the string. (Could be due to missing CTS signal when the serial port is configured to use hardware flow control.)
	50 (32h)	COMMREQ timeout. The COMMREQ did not complete within a 20-second time limit.
14 (0Eh)		Autodial Error — An error occurred while attempting to send a command string to an attached external modem. The minor error code identifies the specific error.
	1 (01h)	Not used.
	2 (02h)	The modem command string length exceeds end of reference memory type.
	3 (03h)	COMMREQ Data Block Length too small. Output command string data missing or incomplete.
	4 (04h)	Serial output timeout. The serial port was unable to transmit the modem autodial output.
	5 (05h)	Response was not received from modem. Check modem and cable.
	6 (06h)	Modem responded with BUSY. Modem is unable to complete the requested connection. The remote modem is already in use; retry the connection request later.
	7 (07h)	Modem responded with NO CARRIER. Modem is unable to complete the requested connection. Check the local and remote modems and the telephone line.
	8 (08h)	Modem responded with NO DIALTONE. Modem is unable to complete the requested connection. Check the modem connections and the telephone line.
	9 (09h)	Modem responded with ERROR. Modem is unable to complete the requested command. Check the modem command string and modem.

Major Error Code	Minor Error Code	Description (continued)
14 (0Eh) (Continued)	10 (0Ah)	Modem responded with RING, indicating that the modem is being called by another modem. Modem is unable to complete the requested command. Retry the modem command later.
	11 (0Bh)	An unknown response was received from the modem. Modem is unable to complete the requested command. Check the modem command string and modem. The response should be CONNECT or OK.
	50 (32h)	COMMREQ timeout. The COMMREQ did not complete within a 20-second time limit.

Serial I/O COMMREQ Commands

The following COMMREQs are used to implement Serial I/O:

Local COMMREQs – perform auxiliary functions

Initialize Port (4300)	Resets the port. Cancels any COMMREQs currently in progress and zeroes the internal input buffer. Sets the RTS status to inactive.
Set Up Input Buffer (4301)	Changes the size of the internal input buffer.
Flush Input Buffer (4302)	Zeroes the internal input buffer.
Read Port Status (4303)	Reads the status of the port as to whether the previous read or write command was completed, or whether a time-out occurred.
Write Port Control (4304)	Forces RTS for the port
Cancel Operation (4399)	Cancels the current COMMREQ. It does not reset the port or zero the internal input buffer.

Remote COMMREQs – receive or transmit data through the serial port.

Autodial (4400)	Dials a modem or sends the hang up command.
Write Bytes (4401)	Writes a specified number of characters (up to 250) to a connected device.
Read Bytes (4402)	Reads a specified number of characters from a port.
Read String (4403)	Reads a character string of unspecified length from a port until a designated terminating character is detected.

COMMREQ Overlap Considerations

Some of the Serial I/O COMMREQs must complete execution before another COMMREQ can be processed. Others can be left pending while others are executed.

COMMREQs that Must Complete Execution

- Autodial (4400)
- Initialize Port (4300)
- Set Up Input Buffer (4301)
- Flush Input Buffer (4302)
- Read Port Status (4303)
- Write Port Control (4304)
- Cancel Operation (4399)
- Serial Port Setup (FFF0)

COMMREQs that Can be Pending While Others Execute

The table below shows whether Write Bytes, Read Bytes and Read String COMMREQs can be pending when other COMMREQs are executed.

Currently-pending COMMREQs	NEW COMMREQ										
	Auto-dial (4400)	Write Bytes (4401)	Initial-ize Port (4300)	Set Up Input Buffer (4301)	Flush Input Buffer (4302)	Read Port Status (4303)	Write Port Control (4304)	Read Bytes (4402)	Read String (4403)	Cancel Operation (4399)	Serial Port Setup (FFF0)
Write Bytes (4401)	No	No	Yes	Yes	Yes	Yes	Yes	Yes	Yes	Yes	No
Read Bytes (4402)	No	Yes	Yes	No	No	Yes	Yes	No	No	Yes	No
Read String (4403)	No	Yes	Yes	No	No	Yes	Yes	No	No	Yes	No

Initialize Port Function (4300)

This function causes a reset command to be sent to the specified port. It also cancels any COMMREQ currently in progress and flushes the internal input buffer. RTS is set to inactive.

Example Command Block for the Initialize Port Function

	VALUE (decimal)	VALUE (hexadecimal)	MEANING
address	0001	0001	Data block length
address +1	0000	0000	NOWAIT mode
address +2	0008	0008	Status word memory type (%R)
address +3	0000	0000	Status word address minus 1 (%R0001)
address +4	0000	0000	Not used
address +5	0000	0000	Not used
address +6	4300	10CC	Initialize port command

Operating Notes

Note: COMMREQs that are cancelled due to this command executing do not have their respective COMMREQ status words updated.

Caution: If this COMMREQ is sent when a Write Bytes (4401) COMMREQ is transmitting a string from a serial port, transmission is halted. The position within the string where the transmission is halted is indeterminate. In addition, the final character received by the device the CPU is sending to is also indeterminate.

Set Up Input Buffer Function (4301)

This function can be used to change the size of the internal memory buffer where input data will be placed as it is received. The range of sizes the buffer may be set to is 1 to 2048 bytes. By default, the buffer is set to its maximum of 2048 (“2K”) bytes.

Retrieving Data from the Buffer

Data can be retrieved from the buffer using the Read String or Read Bytes function. It is not directly accessible from the application program.

If data is not retrieved from the buffer in a timely fashion, some characters may be lost.

Data is read from the buffer in a sequential First-in-First-Out (FIFO) manner. As data is read from the buffer, it is discarded, thus making room for more data.

Example Command Block for the Set Up Input Buffer Function

	VALUE (decimal)	VALUE (hexadecimal)	MEANING
address	0002	0002	Data block length
address +1	0000	0000	NOWAIT mode
address +2	0008	0008	Status word memory type (%R)
address +3	0000	0000	Status word address minus 1 (%R0001)
address +4	0000	0000	Not used
address +5	0000	0000	Not used
address +6	4301	10CD	Setup input buffer command
address +7	0064	0040	Buffer length (in bytes)

Operating Notes

It is not possible to set the buffer length to zero. If zero is entered as the buffer length, the buffer size will be set to the 2048 byte default.

If a length greater than 2048 bytes is specified, an error is generated.

Flush Input Buffer Function (4302)

This operation empties the input buffer of any characters received through the serial port but not yet retrieved using a read command. All such characters are lost.

Example Command Block for the Flush Input Buffer Function

	VALUE (decimal)	VALUE (hexadecimal)	MEANING
address	0001	0001	Data block length
address +1	0000	0000	NOWAIT mode
address +2	0008	0008	Status word memory type (%R)
address +3	0000	0000	Status word address minus 1 (%R0001)
address +4	0000	0000	Not used
address +5	0000	0000	Not used
address +6	4302	10CE	Flush input buffer command

Read Port Status Function (4303)

This function returns the current status of the port. The following events can be detected:

1. A read request was initiated previously and the required number of characters has now been received or the specified time-out has elapsed.
2. A write request was initiated previously and transmission of the specified number of characters is complete or a time-out has elapsed.

The Port Status data returned by this function indicates the status of various tasks, such as whether or not a task was successfully completed. Each bit in the status word has a separate meaning, so the status of several items can be determined with one of these COMMREQs. The table on the next page defines the meaning of each Port Status word bit. A second Port Status word reports on the remaining number of characters in the input buffer.

The Port Status memory type (address + 7) can specify either bit type (i.e. %M) or word type (i.e. %R) memory. Bit type memory does not have to be byte-aligned. Memory codes are found earlier in this chapter. Port Status memory consists of two words worth of data. So if bit type memory is specified, 32 consecutive bits (two words worth) will be used starting with the bit specified by “address +8” of the Command Block. If word type memory is specified, two consecutive words will be used starting with the word specified by “address +8” of the Command Block.

In the example below, bit type memory (%M) is specified for the Port Status words. In this case, the first word of Port Status data is %M00101, and the last bit will be %M00132. Figure 9-2 also shows an example of this COMMREQ.

Example Command Block for the Read Port Status Function

WORD Address	VALUE (decimal)	VALUE (hexadecimal)	MEANING
address	0003	0003	Data block length
address +1	0000	0000	NOWAIT mode
address +2	0008	0008	COMMREQ Status word memory type (%R)
address +3	0000	0000	COMMREQ Status word address minus 1 (%R0001)
address +4	0000	0000	Not used
address +5	0000	0000	Not used
address +6	4303	10CF	Read Port Status command
address +7	0076	004C	Port Status memory type (%M)
address +8	0101	0065	Port Status memory offset (%M0101)

Port Status Words

The port status consists of two words: (1) a word reporting the status of various communication functions, and (2) a word reporting the number of characters in the input buffer that have not been retrieved by the application (characters which have been received and are available).

The Port Status Words, which report specific status information for a serial port, should not be confused with the COMMREQ Status Word, which reports general COMMREQ status information. The COMMREQ Status Word resides in user memory; the Port Status Words do not reside in user memory and can only be accessed with this COMMREQ.

Word 1	Port status word (see below)
Word 2	Characters available in the input buffer

The following table details the meaning of each bit in Port Status Word 1:

Bit	Name	Definition	Meaning	
15	RI	Read In progress	Set	Read Bytes or Read String invoked
			Cleared	Previous Read bytes or String has timed out, been canceled, or finished
14	RS	Read Success	Set	Read Bytes or Read String has successfully completed
			Cleared	New Read Bytes or Read String invoked
13	RT	Read Time-out	Set	Receive timeout occurred during Read Bytes or Read String
			Cleared	New Read Bytes or Read String invoked
12	WI	Write In progress	Set	New Write Bytes invoked
			Cleared	Previously-invoked Write Bytes has timed out, been canceled, or finished
11	WS	Write Success	Set	Previously-invoked Write Bytes has successfully completed
			Cleared	New Write Bytes invoked
10	WT	Write Time-out	Set	Transmit timeout occurred during Write Bytes
			Cleared	New Write Bytes invoked
9	CA	Character Available	Set	Unread characters are in the buffer
			Cleared	No unread characters in the buffer
8	OF	OverFlow error	Set	Overflow error occurred on the serial port or internal buffer
			Cleared	Read Port Status invoked. (Cleared after port status is read.)
7	FE	Framing Error	Set	Framing error occurred on the serial port
			Cleared	Read Port Status invoked. (Cleared after port status is read.)
6	PE	Parity Error	Set	Parity error occurred on the serial port
			Cleared	Read Port Status invoked. (Cleared after port status is read.)
5	CT	CTS is active	Set	CTS line on the serial port is active or the serial port does not have a CTS line
			Cleared	CTS line on the serial port is not active
4-0	U	not used, should be 0		

Write Port Control Function (4304)

This function forces RTS for the specified port:

Example Command Block for the Write Port Control Function

	VALUE (decimal)	VALUE (hexadecimal)	MEANING
address	0002	0002	Data block length
address +1	0000	0000	NOWAIT mode
address +2	0008	0008	Status word memory type (%R)
address +3	0000	0000	Status word address minus 1 (%R0001)
address +4	0000	0000	Not used
address +5	0000	0000	Not used
address +6	4304	10D0	Write port control command
address +7	xxxx	xxxx	Port control word

Port Control Word

15	14	13	12	11	10	9	8	7	6	5	4	3	2	1	0
RTS	U	U	U	U	U	U	U	U	U	U	U	U	U	U	U

Port Control Word Format (see Operating Note 2. below for additional details):

Bit No.	Signal	Description
15	RTS	Commanded state of the RTS output 1 = activates RTS 0 = Deactivates RTS
0–14	U	Unused (should be zero)

Operating Notes

- For CPU port 2 (RS-485), the RTS signal is tied to the transmit driver. Therefore, control of RTS is dependent on the current state of the transmit driver. If the transmit driver is not enabled, asserting RTS with the Write Port Control COMMREQ will not cause RTS to be asserted on the serial line. The state of the transmit driver is controlled by the protocol and is dependent on the current Duplex Mode of the port. For 2-wire and 4-wire Duplex Mode, the transmit driver is only enabled during transmitting. Therefore, RTS on the serial line will only be seen active on port 2 (configured for 2-wire or 4-wire Duplex Mode) when data is being transmitted. For point-to-point Duplex Mode, the transmit driver is always enabled. Therefore, in point-to-point Duplex Mode, RTS on the serial line will always reflect what is chosen with the Write Port Control COMMREQ. The Duplex Mode choices are shown in Table 9-4.
- Configuring the port control status word can be facilitated by entering the value for the Port Control word (“address +7”) in hexadecimal format:
 - Use 8000 (hex) to activate RTS (this places a 1 in bit 15, and a 0 in the other bits)
 - Use 0000 to deactivate RTS

Cancel COMMREQ Function (4399)

This function cancels the current operations in progress. It can be used to cancel all operations, read operations, or write operations.

If a read operation is in progress and there are unprocessed characters in the input buffer, those characters are left in the input buffer and available for future reads. The serial port is not reset.

Example Command Block for the Cancel Operation Function

	VALUE (decimal)	VALUE (hexadecimal)	MEANING
address	0001	0001	Data block length
address +1	0000	0000	NOWAIT mode
address +2	0008	0008	Status word memory type (%R)
address +3	0000	0000	Status word address minus 1 (%R0001)
address +4	0000	0000	Not used
address +5	0000	0000	Not used
address +6	4399	112F	Cancel operation command
address +7	0001	0001	Transaction type to cancel 1 All operations 2 Read operations 3 Write operations

Operating Notes

This function does not update the status of words of the cancelled COMMREQs.

Caution: If this COMMREQ is sent in either Cancel All or Cancel Write mode when a Write Bytes (4401) COMMREQ is transmitting a string from a serial port, transmission is halted. The position within the string where the transmission is halted is indeterminate. In addition, the final character received by the device the CPU is sending to is also indeterminate.

Autodial Function (4400)

This feature allows the CPU to automatically dial a modem and send a specified byte string.

To implement this feature, the port must be configured for Serial I/O.

For example, pager enunciation can be basically implemented by three commands, requiring three COMMREQ command blocks:

- | | |
|-----------------------------------|---|
| Autodial: 04400 (1130h) | Dials the modem. |
| Write Bytes: 04401 (1131h) | Specifies an ASCII string, from 1 to 250 bytes in length, to send from the serial port. |
| Autodial: 04400 (1130h) | It is the responsibility of the PLC application program to hang up the phone connection. This is accomplished by reissuing the autodial command and sending the hang up command string. |

Autodial Command Block

The Autodial command automatically transmits an Escape sequence that follows the Hayes convention. If you are using a modem that does not support the Hayes convention, you may be able to use the Write Bytes command to dial the modem.

Examples of commonly used command strings for Hayes-compatible modems are listed below:

Command String	Length	Function
ATDP15035559999<CR>	16 (10h)	Pulse dial the number 1-503-555-9999
ATDT15035559999<CR>	16 (10h)	Tone dial the number 1-503-555-9999
ATDT9,15035559999<CR>	18 (12h)	Tone dial using outside line with pause
ATH0<CR>	5 (05h)	Hang up the phone
ATZ <CR>	4 (04h)	Restore modem configuration to internally saved values

Example Autodial Command Block

This example COMMREQ command block dials the number 234-5678 using a Hayes-compatible modem.

Word	Definition	Values
1	0009h	CUSTOM data block length (includes command string)
2	0000h	NOWAIT mode
3	0008h	Status word memory type (%R)
4	0000h	Status word address minus 1 (Register 1)
5	0000h	not used
6	0000h	not used
7	04400 (1130h)	Autodial command number
8	00030 (001Eh)	Modem response timeout (30 seconds)
9	0012 (000Ch)	Number of bytes in command string
10	5441h	A (41h), T (54h)
11	5444h	D (44h), T (54h)
12	3332h	Phone number: 2 (32h), 3 (33h)
13	3534h	4 (34h), 5 (35h)
14	3736h	6 (36h), 7 (37h)
15	0D38h	8 (38h) <CR> (0Dh)

Write Bytes Function (4401)

This operation can be used to transmit one or more characters to the remote device through the specified serial port. The character(s) to be transmitted must be in a word reference memory. They should not be changed until the operation is complete.

Up to 250 characters can be transmitted with a single invocation of this operation. The status of the operation is not complete until all of the characters have been transmitted or until a timeout occurs (for example, if hardware flow control is being used and the remote device never enables the transmission). In the example below, the message “hello” is sent. The Data block length in this example is six words. It consists of the six words starting with “address +6.” The first three words of the data block are always required. Additional words, that contain the actual message sent, are required on the basis of one word for every two characters written (each character requires a byte of memory). If you have an odd number of characters to write, as in the example below (which has five characters), place zeroes in the unused high byte (most significant byte) of the last word, as seen below in “address +11” (this is more easily seen in the hexadecimal Value column).

Example Command Block for the Write Bytes Function

WORD	VALUE (decimal)	VALUE (hexadecimal)	MEANING
address	0006	0006	Data block length, in words (includes characters to send)
address +1	0000	0000	NOWAIT mode
address +2	0008	0008	Status word memory type (%R)
address +3	0000	0000	Status word address (%R0001) minus 1
address +4	0000	0000	Not used
address +5	0000	0000	Not used
address +6	4401	1131	Write bytes command
address +7	0030	001E	Transmit time-out (30 seconds). See note below.
address +8	0005	0005	Number of bytes to write
address +9	25960	6568	'h' (68h), 'e' (65h)*
address +10	27756	6C6C	'l' (6Ch), 'l' (6Ch)*
address +11	0111	006F	'o' (6Fh)*

*Although printable ASCII characters are used in this example, there is no restriction on the values of the characters that can be transmitted. The numbers in parentheses are the ASCII codes in hexadecimal format. A list of ASCII codes can be found in Appendix B.

Operating Notes

Note: Specifying zero as the Transmit time-out sets the time-out value to the amount of time actually needed to transmit the data, plus 4 seconds.

Caution: If an Initialize Port (4300) COMMREQ is sent or a Cancel Operation (4399) COMMREQ is sent in either Cancel All or Cancel Write mode while this COMMREQ is transmitting a string from a serial port, transmission is halted. The position within the string where the transmission is halted is indeterminate. In addition, the final character received by the device the CPU is sending to is also indeterminate.

Read Bytes Function (4402)

This function causes one or more characters to be read from the specified port. The characters are first read into an internal input buffer, then read from there into the data area specified in the COMMREQ's Command Block.

The function returns both the number of characters retrieved and the number of unprocessed characters still in the input buffer. If zero characters of input are requested, only the number of unprocessed characters in the input buffer is returned.

If insufficient characters are available to satisfy the request and a non-zero value is specified for the number of characters to read, the status of the operation is not complete until either sufficient characters have been received or the time-out interval expires. In either of those conditions, the Port Status words indicate the reason for completion of the read operation. The Port Status words are not updated until the read operation is complete (either due to timeout or when all the data has been received). You can use the Read Port Status Function COMMREQ (4303) to access the status information.

If the time-out interval is set to zero, the COMMREQ remains pending until it has received the requested amount of data, or until it is cancelled.

If this COMMREQ fails for any reason, no data is returned to the buffer. Any data that was already in the buffer remains, and can be retrieved with a subsequent read request.

Example Command Block for the Read Bytes Function

	VALUE (decimal)	VALUE (hexadecimal)	MEANING
address	0005	0005	Data block length
address +1	0000	0000	NOWAIT mode
address +2	0008	0008	Status word memory type (%R)
address +3	0000	0000	Status word address minus 1 (%R0001)
address +4	0000	0000	Not used
address +5	0000	0000	Not used
address +6	4402	1132	Read bytes command
address +7	0030	001E	Read time-out (30 seconds)
address +8	0005	0005	Number of bytes to read
address +9	0008	0008	Input data memory type (%R).
address +10	0100	0064	Input data memory address (%R0101)

Return Data Format for the Read Bytes Function

The return data consists of the number of characters actually read, the number of characters still available in the input buffer after the read is complete (if any), and the actual input characters.

Address	Number of characters actually read
Address + 1	Number of characters still available in the input buffer, if any
Address + 2	first two characters (first character is in the low byte)
Address + 3	third and fourth characters (third character is in the low byte)
Address + n	subsequent characters

Operating Note

If the input data memory type parameter is specified to be a word memory type, and if an odd number of bytes is actually received, the high byte of the last word to be written with the received data is set to zero.

Read String Function (4403)

This function causes characters to be read from the specified port until a specified terminating character is received.

The function returns both the number of characters retrieved and the number of unprocessed characters still in the input buffer. If zero characters of input are requested, only the number of unprocessed characters in the input buffer are returned.

If the terminating character is not in the input buffer, the status of the operation is not complete until either the terminating character has been received or the time-out interval expires. In either of those conditions, the port status indicates the reason for completion of the read operation.

If the time-out interval is set to zero, the COMMREQ remains pending until it has received the requested string, terminated by the specified end character.

If this COMMREQ fails for any reason, no data is sent to the buffer. Any data that was already in the buffer remains, and can be retrieved with a subsequent read request.

Example Command Block for the Read String Function

	VALUE (decimal)	VALUE (hexadecimal)	MEANING
address	0005	0005	Data block length
address +1	0000	0000	NOWAIT mode
address +2	0008	0008	Status word memory type (%R)
address +3	0000	0000	Status word address minus 1 (%R0001)
address +4	0000	0000	Not used
address +5	0000	0000	Not used
address +6	4403	1133	Read string command
address +7	0030	001E	Read time-out (30 seconds)
address +8	0013	000D	Terminating character (carriage return): must be between 0 and 255 (0xFF), inclusive
address +9	0008	0008	Input data memory type (%R)
address +10	0100	0064	Input data memory address (%R0101)

Return Data Format for the Read String Function

The return data consists of the number of characters actually read, the number of characters still available in the input buffer after the read is complete (if any), and the actual input characters:

Address	Number of characters actually read
Address + 1	Number of characters still available in the input buffer, if any
Address + 2	first two characters (first character is in the low byte)
Address + 3	third and fourth characters (third character is in the low byte)
Address + n	subsequent characters

Return Data Block Size

The Return Data memory block, shown above, will consist of:

- One word to store the number of characters read
- One word to store the number of characters still in the input buffer
- One word for every two characters actually read.

So, for example, if 24 characters were read, the data block would be 14 words long. Be sure to allow sufficient room in user memory for this data block.

Appendix

A

Glossary

In the Series 90 PLCs serial communications, a number of special terms are used. Also, many of these terms are referenced by acronyms. For example, a Programmable Logic Controller (PLC), computer, or other device that connects to a network is called by the general name *station*.

This appendix contains a concise, alphabetized listing of conventional communications terms and (where applicable) their associated acronyms. Most of these terms (but not necessarily all) are used in this manual.

Commonly used Acronyms and Abbreviations

ASCII	American Standard Code for Information Interchange	FCC	Federal Communications Commission
ACK	Acknowledge control character	H	Hexadecimal
BCC	Block Check Code	I/O	Input/Output
BCD	Binary Coded Decimal	IEEE	Institute of Electrical and Electronics Engineers
BEM	Bus Expansion Module	ISO	International Standards Organization
BRM	Bus Receiver Module		
BTM	Bus Transmitter Module	K	1024
BPS	Bits Per Second	KB	Kilobyte (1024 bytes)
CCM	Refers to protocol originally developed for the Communications Control Module for the Series Six PLC	LAN	Local Area Network
CCU	Communication Configuration Utility	LED	Light Emitting Diode
CMM	Abbreviation of the catalog number of the Communications Coprocessor Module. A nickname for that module.	LRC	Longitudinal Redundancy Check
COMM-REQ	COMMunication REQuest	MAP	Manufacturing Automation Protocol
CPU	Central Processing Unit	MB	Megabyte (1,048,576 bytes)
CRC	Cyclic Redundancy Check	MODEM	Modulator/Demodulator
CTS	Clear to Send control signal	MTU	Master Terminal Unit
DCD	Data Carrier Detect control signal	NAK	Negative Acknowledge control character
DCE	Data Communications Equipment	PC	Personal Computer, IBM compatible
DMA	Direct Memory Access	PCM	Programmable Coprocessor Module
DOS	Disk Operating System	PLC	Programmable Logic Controller
DSR	Data Set Ready	PROM	Programmable Read Only Memory
DTE	Data Terminal Equipment	RAM	Random Access Memory
DTR	Data Terminal Ready control signal	RTU	Remote Terminal Unit
EIA	Electronics Industries Association	RTS	Ready to Send control signal
EEPROM	Electrically Erasable Programmable Read Only Memory	RD, RXD	Receive Data Signal
ENQ	Enquiry control character	SCADA	Supervisory Control And Data Acquisition
EOT	End of Transmission control character	SNP	Series 90 Protocol
EPROM	Erasable Programmable Read Only Memory	SNP-X	Series 90 Protocol-Enhanced
ETB	End of Transmission Block control character	SOH	Start of Header control character
		STX	Start of Text control character
ETX	End of Text control character	SD, TXD	Transmit Data Signal
		TAPI	Telephone Application Program Interface
		VME	Versa Module European
		WAP	Wireless Application Protocol

Glossary of Terms

Address

A series of decimal numbers assigned to specific program memory locations and used to access those locations.

Analog

A numerical expression of physical variables such as rotation, distance, or voltage to represent a quantity.

Application program

The ladder logic program executing in a PLC or user program in computer.

ASCII

An acronym for the American Standard Code for Information Interchange. It is an 8-level code (7 bits plus 1 parity bit) that represents characters such as alphabetical, numeric, and punctuation types.

Attach

An SNP message which establishes communication between the SNP master and a specific SNP slave device. (See Chapter 7, Section 3, SNP Protocol for details.)

Asynchronous

Transmission of data in which time intervals between transmitted characters may be of unequal length. Asynchronous transmission is controlled by start and stop bits at the beginning and end of each character.

Backplane

A group of connectors physically mounted at the back of a rack so that printed circuit boards can be mated to them.

Baud

A unit of data transmission speed equal to the number of code elements per second.

Binary

A numbering system that uses only the digits 0 and 1. This system is also called base 2.

Bit

The smallest unit of memory. Can be used to store only one piece of information that has two states (for example, a One/Zero, On/Off, Good/Bad, Yes/No, etc.). Data that requires more than two states (for example, numerical values 000-999) will require multiple bits.

Break

A *wake up* signal transmitted on the serial line which precedes each new SNP communication session. (See Chapter 7, Section 3, SNP Protocol for details.)

Break-Free SNP

An updated version of the SNP protocol providing break-free operation. When normal breaks are received, SNP/SNP-X communication is identical to previous versions of the protocol requiring the long break. However, this version of the protocol can also recognize an Attach or X-Attach message without a preceding break.

Brick

A nickname for the obsolete GE Intelligent Platforms isolated RS-232/RS-485 repeater/converter, catalog number IC655CCM590. The Horner Electric HE485ISO232 can be used as a replacement.

Broadband Network

A network which can handle medium-to-large size applications with up to several hundred stations as a typical number which might be attached. Broadband technology is used in larger networking systems and requires a headend remodulator.

Bus

An electrical path for transmitting and receiving data that is usually shared by two or more devices.

Byte

A group of binary digits operated on as a single unit. In Series 90 PLCs, a byte is made up of 8 bits.

Carrierband Network

A network designed to handle small to medium-size applications with 6-20 stations as a typical number of stations which might be attached. Carrierband technology is often used in Local Area Networks.

Communication Control Module (CCM2, CCM3)

The Communications Control Module provides a serial interface between the Series Six PLC and other devices on the network which can initiate communications based on the CCM protocol.

Communication Coprocessor Module (CMM)

The Communication Coprocessor Module provides a serial interface between the Series 90-70 or Series 90-30 and other devices on the network. CMM modules support the CCM, RTU, and SNP protocols.

Communication Windows

Communication between the ladder logic program and the local interface module which takes place during the PLC scan.

CPU (Central Processing Unit)

The central device in a PLC that interprets user instructions, makes decisions and executes the functions based on a stored program. This program specifies actions to be taken to all possible inputs.

Custom Protocol

See Serial I/O

Data Link

The equipment including interface modules and cables that allow transmission of information.

Datagram

A serial communications message that combines data from various memory types and/or locations.

Diagnostic Status Words

A group of 20 words which provide detailed information about the operation and configuration of the CMM module, and used for monitoring and diagnosing transmission errors. The status words are maintained and updated in the CMM module. Different sets of Diagnostic Status Words are used for the CCM and SNP Protocols.

EIA-232

Formerly RS-232. See RS-232.

Ethernet

A network technology utilizing Carrier Sense Multiple Access with Collision Detection (CSMA/CD) often used in Local Area Networks.

Firmware

A series of instructions contained in ROM (Read Only Memory) which are used for internal processing functions only. These instructions are transparent to the user.

Generic Output

See Serial I/O

Hardware

All of the mechanical, electrical and electronic devices that comprise a Programmable Logic Controller and its application(s).

Hexadecimal

A numbering system, having 16 as a base, represented by the digits 0 through 9, then A through F.

Initiating Station

The station from which communication originates.

Input

An externally developed signal that provides information to the PLC, usually via an input module. Inputs may be discrete (ON or OFF) or analog (having a range of values).

Input Module

An I/O module that converts signals from user devices to logic levels used by the CPU.

Interface

To connect a Programmable Logic Controller with its application devices, communications channels, and peripherals through various modules and cables.

I/O (Input/Output)

That portion of the PLC to which field devices are connected.

I/O Scan

A method by which the CPU monitors all inputs and controls all outputs within a prescribed time.

ISO Standards

The International Standards Organization (ISO) for Open System Interconnection (OSI).

ISO Reference Model for Open System Interconnection

An international standard for network architectures which define a seven layer model. The intent is to provide a network design framework to allow equipment from different vendors to be able to communicate.

Isolation

A method of separating field wiring from logic level circuitry. Typically accomplished through the use of optical isolation devices.

K

An abbreviation for kilo or exactly 1024 as applied to computer-based devices. Usually related to 1024 words of memory. Equal to 2 raised to the 10th power.

Keep-Alive Message

A message generated by the SNP master or slave for the sole purpose of preventing a timeout at the attached device (that is, keep the SNP communication alive).

Ladder Diagram

A representation of control logic relay systems. The user programmed logic is expressed in relay equivalent symbols.

LED

An acronym for Light-Emitting-Diode, which is a solid state device commonly used as a visual indicator in electronic equipment.

Local Area Network (LAN)

A communication network covering a limited physical space, and having intermediate data transport capability.

Logic

A fixed set of responses (outputs) to various external conditions (inputs). All possible situations for both synchronous and asynchronous activity must be specified by the user. Also referred to as the program.

Logic Memory

In the Series Six PLC, dedicated CMOS RAM memory accessible by the user for storage of user ladder programs.

Long Attach

An SNP Attach message, followed by an SNP Parameter Select message. Used to establish SNP communications and to negotiate non-default operating parameters between the SNP master and a specific SNP slave device. (See Chapter 7, Section 3, SNP Protocol for details.)

Manufacturing Automation Protocol (MAP)

MAP communication protocol is specified by the Manufacturing Automation Protocol (MAP) specification. MAP is a *Connection-oriented* protocol; that is, stations residing on a network are able to transfer information only after establishing a logical connection much like two people using the telephone system.

Master-Slave

Communication between stations where one station always initiates requests and the other station always responds to requests.

Memory

A grouping of physical circuit elements that have data entry, storage and retrieval capability.

Microprocessor

An electronic computer processor consisting of integrated circuit chips that contain arithmetic, logic, register, control and memory functions.

Microsecond (μ s or μ sec)

One millionth of a second. 1×10^{-6} or 0.000001 second.

Millisecond (ms or msec)

One thousandth of a second. 1×10^{-3} or 0.001 second.

Mnemonic

An abbreviation given to an instruction, usually an acronym formed by combining initial letters or parts of words.

Modules

A replaceable electronic subassembly usually plugged in and secured in place but easily removable in case of fault or system redesign. In the Series 90 PLC, a combination of a printed circuit board and its associated faceplate which when combined form a complete assembly.

Multidrop

A serial wiring configuration which connects more than two devices in a “daisy-chain” configuration. All devices on a multidrop network must be uniquely addressable.

Nanosecond (ns or nsec)

One billionth of a second. 1×10^{-9} or 0.000000001 second.

Noise

Undesirable electrical disturbances to normal signals, generally of high frequency content.

Non-Volatile Memory

A memory capable of retaining its stored information under no-power conditions (power removed or turned off).

OFF-Line

Equipment or devices that are not connected to a communications line. For example, the Workmaster computer, when off-line, operates independent of the Series 90 CPU.

ON-Line

Descriptive of equipment or devices that are connected to the communications line.

Optical Isolation

Use of a solid state device to isolate the user input and output devices from internal circuitry of an I/O module and the CPU.

Output

Information transferred from the CPU, through a module (for level conversion), for controlling an external device or process. There are two basic types— discrete and analog.

Output Devices

Physical devices such as motor starters, solenoids, etc. that receive data from the Programmable Logic Controller.

Output module

A module that converts logic levels within the CPU to a usable output signal for controlling a machine or process.

Parity

The anticipated state, either odd or even, of a set of binary digits.

Parity Bit

A bit added to a memory word to make the sum of the bits in a word always even (even parity) or always odd (odd parity).

Parity Check

A check that determines whether the total number of ones in a word is odd or even.

Parity Error

A condition that occurs when a computed parity check does not agree with the parity bit.

Peer-to-Peer

Communication between stations where either station can initiate requests or respond to requests.

Peripheral Equipment

External units that can communicate with a PLC, for example, programmers, printers, etc.

Piggyback Status

Six bytes of general PLC status information returned within each SNP response message. This data may be passed to the master PLC if so requested. The master may be a programmer or a PLC. Typically, only a programmer master requests Piggyback status.

PLC

Acronym for Programmable Logic Controller.

Point-to-Point

A serial wiring configuration which connects only two devices.

Program

A sequence of functions entered into a Programmable Logic Controller to be executed by the processor for the purpose of controlling a machine or process.

Programmable Logic Controller or Programmable Controller

A solid-state industrial control device which receives inputs from user supplied control devices such as switches and sensors, implements them in a precise pattern determined by ladder diagram based programs stored in the user memory, and provides outputs for control of processes or user supplied devices such as relays and motor starters.

Programmer

A device for entry, examination and alteration of the PLC's memory, including logic and storage areas.

PROM

An acronym for Programmable Read Only Memory. A retentive digital device programmed at the factory and not readily alterable by the user.

Protocol

A set of rules for exchanging messages between two communicating processes.

Q Sequence

The Q sequence protocol format is used to poll and transfer 4 bytes of data from a slave to a master without issuing the 17-byte header. Used by the CCM protocol.

Quick Access Buffer (QAB)

The QAB is a 1024 byte buffer resident on the Series Six CCM modules used for faster data transfer than the CPU to CPU transfer.

RAM

An acronym for Random Access Memory. A solid-state memory that allows individual bits to be stored and accessed. This type of memory is volatile; that is, stored data is lost under no power conditions; therefore, a memory backup battery is generally used to maintain memory contents when power is off.

Read

To receive data from another device.

Reference

A number used in a program that tells the CPU where data is coming from or where to transfer the data.

Reference Table

Any of the various PLC memory areas addressable from the ladder program, or by the communications protocol. PLC memory is addressed by memory type and address.

Register Memory

In the Series Six PLC, dedicated CMOS RAM memory accessible by the user for data storage and manipulation.

Remote Terminal Unit (RTU)

RTU protocol is a query-response mode of operation used for communication between the RTU device and host computer. The host computer transmits the query to the RTU slave which can only respond to the master.

RS-232

A standard specified by the Electronics Industries Association (EIA) for the mechanical and electrical characteristics of the interface for connecting Data Communications Equipment (DCE) and Data Terminal Equipment (DTE). Features a single-ended circuit arrangement. Renamed EIA-232 in the 1990s by the EIA.

RS-422

A recommended standard defining electrical interface characteristics to connect Data Terminal Equipment (DTE) or Data Circuit-Transmitting Equipment (DCE). The RS-422 standard permits longer range and faster transmission rate than the RS-232D standard. Features a differential circuit arrangement. Renamed EIA-422 in the 1990s by the EIA.

RS-485

Similar to RS-422. Contains additional protection for receiver circuits. Also, receivers have greater sensitivity which provides the capability for more drops than available with RS-422. Features a differential circuit arrangement. Renamed EIA-485 in the 1990s by the EIA.

Rung

A grouping of PLC functions/instructions that control one output (coil). One or more rungs form a ladder program.

Scan

The method of examining or solving all tasks in a sequential order from the first step to the last.

Serial Communication

A method of data transfer in which individual bits are transmitted sequentially, one at a time, rather than simultaneously as in parallel transmission.

Serial I/O

Serial Input/Output. This feature lets a user write a custom protocol for reading from or writing to a wide variety of serial devices such as bar code readers or pagers. In its

early implementations, Serial I/O was sometimes referred to as “Custom Protocol” or “Generic Output.”

Series Ninety Protocol (SNP)

SNP Protocol is the native serial communications protocol used by all Series 90 PLCs. SNP is a GE Intelligent Platforms proprietary master-slave protocol.

Series Ninety Protocol-Enhanced (SNP-X)

A optimized version of the basic SNP protocol, used primarily for applications requiring fast data transfer.

Significant Bit

A bit that contributes to the precision of a number. The number of significant bits is counted beginning with the bit contributing the most value, referred to as the Most Significant Bit (MSB), and ending with the bit contributing the least value, referred to as the Least Significant Bit (LSB).

Status Word

Indicates overall status of the CCM, SNP, and Serial I/O protocols and the communication network. Also refers to a memory location that holds COMMREQ status data.

Storage

Synonymous with memory.

Synchronous

Transmission in which data bits are transmitted at a fixed rate, with the transmitter and receiver synchronized by a clock. This eliminates the need for start and stop bits.

Terminator

A device or load (resistor) connected to the end of a transmission line to terminate the signals on that line. Used to eliminate or reduce undesirable signal reflections.

Tristate

A point that has three states: logic 1, logic 0, and disconnected (disabled). Or it may refer to the third (disconnected) state. The tristate design is used in communications circuits to allow a driver or buffer to be disconnected from its communications line.

User Memory

Term commonly used when referring to the memory circuits within the PLC used for storage of user ladder programs and configuration. Application program memory.

Volatile Memory

A memory that will lose the information stored in it if power is removed from it.

Word

A measurement of memory length, usually 16 bits long (for the Series 90 PLC).

Write

To send data to another device.

Wye Cable

A cable (IC693CBL305) supplied with each Series 90-30 CMM module which separates serial ports 1 and 2 from the single serial port connector on the module. It loosely resembles the letter “Y” because one end of the cable has a single connector and the other end has a dual connector.

Appendix

B

ASCII Code List

This appendix provides a table of the standard ASCII (American Standard Code for Information Interchange) characters.

Char.	Dec.	Hex.	Char.	Dec.	Hex.	Char.	Dec.	Hex.
NUL	0	00	0	48	30	[91	5B
SOH	1	01	1	49	31	\	92	5C
STX	2	02	2	50	32]	93	5D
ETX	3	03	3	51	33	^	94	5E
EOT	4	04	4	52	34	~	95	5F
ENQ	5	05	5	53	35	␣	96	60
ACK	6	06	6	54	36	a	97	61
BEL	7	07	7	55	37	b	98	62
BS	8	08	8	56	38	c	99	63
HT	9	09	9	57	39	d	100	64
LF	10	0A	:	58	3A	e	101	65
VT	11	0B	;	59	3B	f	102	66
FF	12	0C	<	60	3C	g	103	67
CR	13	0D	=	61	3D	h	104	68
SO	14	0E	>	62	3E	i	105	69
SI	15	0F	?	63	3F	j	106	6A
DLE	16	10	@	64	40	k	107	6B
DC1	17	11	A	65	41	l	108	6C
DC2	18	12	B	66	42	m	109	6D
DC3	19	13	C	67	43	n	110	6E
DC4	20	14	D	68	44	o	111	6F
NAK	21	15	E	69	45	p	112	70
SYN	22	16	F	70	46	q	113	71
ETB	23	17	G	71	47	r	114	72
CAN	24	18	H	72	48	s	115	73
EM	25	19	I	73	49	t	116	74
SUB	26	1A	J	74	4A	u	117	75
ESC	27	1B	K	75	4B	v	118	76
FS	28	1C	L	76	4C	w	119	77
GS	29	1D	M	77	4D	x	120	78
RS	30	1E	N	78	4E	y	121	79
US	31	1F	O	79	4F	z	122	7A
SP	32	20	P	80	50	{	123	7B
!	33	21	Q	81	51		124	7C
”	34	22	R	82	52	}	125	7D
#	35	23	S	83	53	~	126	7E
\$	36	24	T	84	54	“	127	7F
%	37	25	U	85	55			
&	38	26	V	86	56			
,	39	27	W	87	57			
(40	28	X	88	58			
)	41	29	Y	89	59			
*	42	2A	Z	90	5A			
+	43	2B						
,	44	2C						
-	45	2D						
.	46	2E						
/	47	2F						

Appendix C

CCM Compatibility

This section compares the Series 90 CCM implementation with the CCM implementation of the Series Six, Series One, and Series Five PLCs.

The following table lists the CCM Commands supported by the Series 90 PLC:

Table C-1. Series 90 CCM Commands

Command Number	Description
6001	Set Q Response
6002	Clear CCM Diagnostic Status Words
6003	Read CCM Diagnostic Status Words to Source Registers
6004	Software Configuration
6101	Read from Target to Source Register Table
6102	Read from Target to Source Input Table
6103	Read from Target to Source Output Table
6109	Read Q Response to Source Register Table
6110	Single Bit Write
6111	Write to Target from Source Register Table
6112	Write to Target from Source Input Table
6113	Write to Target from Source Output Table

The following table summarizes those Series Six CCM commands *not* supported by the Series 90 PLC:

Table C-2. Series Six CCM Commands NOT Supported by the Series 90 CCM

Command Number	Descriptions
6004-6009 6106 6116	Quick Access Buffer Manipulations
6010	Set CPU Memory Write Protect
6011	Re-initialize CCM Task
6012	Set OIU Timers and Counters
6104 6105 6114 6115	I/O Override Table Manipulations
6108 6118 6128	Character String Manipulations (unformatted read/write)
6117	Write to Target from Source User Logic
6130	Set CCM Retries ¹
6131	Set CCM Timeouts ¹

¹ Functionality is available in a Series 90 PLC, but in a slightly different form. See Series 90 CCM command code 6004: Software Configuration.

The following table summarizes the CCM memory types supported by the Series 90:

Table C-3. Memory Types Supported by Series 90 CCM

CCM Memory Type	CCM Target Table	Operation
1	Register Table	Read/Write
2	Input Table	Read/Write
3	Output Table	Read/Write
6	CCM Scratch Pad	Read
9	Diagnostic Status Words	Read
13	Input Table	Bit Set
14	Output Table	Bit Set
17	Input Table	Bit Clear
18	Output Table	Bit Clear

Those Series Six memory types which are *not* supported are summarized in the following table:

Table C-4. Series Six Memory Types NOT Supported by the Series 90 CCM

CCM Memory Type	CCM Target Table	Operation
0	Absolute	—
4	Input Override Table	—
5	Output Override Table	—
7	User Logic	—
8	Quick Access Buffer	—
10	Timers	—
11	Counters	—
15	Input Override Table	Bit Set
16	Output Override Table	Bit Set
19	Input Override Table	Bit Clear
20	Output Override Table	Bit Clear
21	Input Override Table	Bit Toggle
22	Output Override Table	Bit Toggle

The next two tables compare the Series One and Series Five CCM memory types with those supported by the Series 90 CCM:

Table C-5. Series One Memory Types vs. Series 90 CCM Memory Types

Series One CCM		Series 90 CCM	
Memory Type	Target Table	Memory Type	Target Table
1	Timer/Counter/Data Register	1	Register Table
3	Discrete I/O ¹	2, 3	Input Table, Output Table
6	Scratch Pad ²	6	CCM Scratch Pad
7	User Logic	Not Supported	
9	Diagnostic Status Words ³	9	Diagnostic Status Words

¹ The addressing scheme for the Series One differs from that of the Series 90 when accessing I/O points.

² Scratch pad definitions are not the same in the Series One PLC and the Series 90 PLC. See Table 11 for the Series 90 scratch pad layout.

³ Diagnostic status words and error code definitions are different in the Series One PLC and the Series 90 PLC. See Table 12 for the Series 90 diagnostic status words, and refer to Table 15 for the Series 90 error code definitions.

Table C-6. Series Five Memory Types vs. Series 90 CCM Memory Types

Series Five CCM		Series 90 CCM	
Memory Type	Target Table	Memory Type	Target Table
1	Registers	1	Register Table
2	Inputs ^{1,3}	2	Input Table
3	Outputs ^{2,3}	3	Output Table
6	Scratch Pad ⁴	6	CCM Scratch Pad
7	User Logic	Not Supported	
9	Diagnostic Status Words ⁵	9	Diagnostic Status Words

¹ The Series Five local and special inputs do not exist in the Series 90 input table. All inputs are equivalent, and it is up to the user to determine their functionality.

² The Series Five local and internal outputs do not exist in the Series 90 output table. All outputs are equivalent, and it is up to the user to determine their functionality. For example, an output to be used as an internal coil must not be tied to a real output.

³ The addressing scheme for the Series Five differs from that of the Series 90 when accessing I/O points.

⁴ Scratch pad definitions are not the same in the Series Five PLC and Series 90 PLC. See Table 11 for the Series 90 scratch pad layout.

⁵ Diagnostic status words and error code definitions are different in the Series Five PLC and the Series 90 PLC. See Table 12 for the Series 90 diagnostic status words, and refer to Table 15 for the Series 90 error code definitions.

Appendix D

RTU Compatibility

This appendix compares the function code set for the Series 90, Series Six, and Series Five PLCs, and the CIMPLICITY System 3000 Models I and W.

Table D-1. RTU Function Codes Comparison

Function Codes	Series 90	Series Five	Series Six	CIMPLICITY	Description
0	X	X	X	X	Illegal Function
1	X	X	X	X	Read Output Table
2	X	X	X	X	Read Input Table
3	X	X	X	X	Read Registers
4	X	X	X	X	Read Registers *
5	X	X	X	X	Force Single Output
6	X	X	X	X	Preset Single Register
7	X	X	X		Read Exception Status
8	X	X	X		Loopback Maintenance
15	X	X	X	X	Force Multiple Outputs
16	X	X	X	X	Preset Multiple Registers
17	X	X	X		Report Device Type
65		X	X		Read Output Override Table
66		X	X		Read Input Override Table
67	X	X	X		Read Scratch Pad Memory
68		X	X		Read User Logic
69		X	X		Write Output Override Table
70		X	X		Write Input Override Table
71		X	X		Write Scratch Pad Memory
72			X		Write User Logic

* Series 90 is Read Analog Inputs
Series Five and Series Six are Read Registers
CIMPLICITY is Read Input Registers

Appendix E

Serial Line Interface

The Serial Line Interface encodes/decodes messages according to a particular information code, and performs parity checking of each character received over the serial line. The drivers for the transmission line are also part of the Serial Line Interface.

This appendix covers the following topics:

- Information Codes
- Transmission Errors and Detection
- Asynchronous Transmission
- Serial Communications Line

Information Codes

An information code is a standard by which numbers, letters, symbols, and control characters are presented for serial transmission. In the CCM protocol, characters in headers as well as control characters are encoded. Other characters such as those occurring in data, are uncoded binary data. There are a number of different coding schemes used today, but the most common and the type used in CMM communications is the American Standard Code for Information Interchange or ASCII code.

As shown in the illustration below, the CMM uses an 8-bit character code plus an optional parity bit to transfer serial data.

		MSB		Data Bits						LSB	
10	9	8	7	6	5	4	3	2	1	0	
Stop	Parity (optional)									Start	

The table below shows examples of the binary and hexadecimal forms, including parity bit, of several ASCII characters. The parity bit is explained in the section, Parity Checking. Refer to Appendix B for a complete list of the ASCII character set represented in hexadecimal and decimal.

Table E-1. ASCII Information Code Format

Parity Bit	Binary Form of Character	Hexadecimal Form of Character	ASCII Character
(odd) 0	0 0 0 0 0 0 1 0	0 2	STX (control character) Start Of Text
(odd) 1	0 0 1 0 1 0 1 1	2 B	+
(even) 1	0 0 0 1 0 1 0 1	1 5	NAK (control character) Negative Ack.
(even) 0	0 0 1 1 1 0 0 1	3 9	9

Transmission Errors and Detection

All asynchronous serial protocols use error checking and detection mechanisms to reduce the number of transmission errors and ensure reliable transfer of data. The error checking methods employed by the CMM communications protocols are described below.

Noise Errors

The CMM uses four types of noise error checking:

- Parity Checking.
- Block Check Code checking (SNP, SNP-X).
- Longitudinal Redundancy Checking (CCM).
- Cyclic Redundancy Checking (RTU).

Block Check Code checking (SNP, SNP-X Protocols), Longitudinal Redundancy Checking (CCM Protocol), and Cyclic Redundancy Checking (RTU Protocol) are performed in the Communication Protocol and are discussed in the applicable chapter.

Parity Checking

Parity checking can be generally specified as even, odd, or none. The parity bit, derived by the sender and monitored by the receiver, is dependent on the number of 1s occurring in the binary character. If parity is defined as odd, the total number of 1s in the binary character (in addition to the parity bit) must be odd. If the parity is even, the total number of 1s in the character including the parity bit must be even. If the parity is none, no parity checking is performed.

In the example shown below, the ASCII coded ‘A’ contains two 1s, therefore, the parity bit must be 1 for odd parity. The parity bit would be 0 in the case parity were defined as even. In the case of no parity the parity bit is not transmitted. For CCM protocol, the optional parity bit may be odd or none; for the SNP, SNP-X, and RTU protocols, the parity may be odd, even or none.

If parity checking is employed, and one of the bits is transmitted incorrectly, the parity bit will reflect the error.

ASCII character, A, received correctly

Parity Bit (odd)	8	7	6	Received Data Byte				
	8	7	6	5	4	3	2	1
1	0	1	0	0	0	0	0	1

ASCII character, A, received with error in the first bit.

Parity Bit (odd)	8	7	6	Received Data Byte				
	8	7	6	5	4	3	2	1
1	0	1	0	0	0	0	0	0

The receiver monitors the parity bit and detects the error in transmission because the received character with parity has an even number of 1s instead of an odd number.

If, on the other hand, an even number of bits in a character is transmitted incorrectly, the parity bit will not reflect the error.

ASCII character, A, received with errors in the first two bits.

Parity Bit (odd)	8	7	6	5	4	3	2	1
1	0	1	0	0	0	0	1	0

The parity bit does not reflect the error because the received character with parity shows an odd number of 1s as it is supposed to.

Transmission Timing Errors

Timing problems between transmitter and receiver can produce other kinds of errors such as overrun, framing, and timeout errors.

Overrun Errors. If timing problems between the transmitter and receiver cause characters to be sent faster than the receiver can handle them, then this produces a situation known as overrun. In this case the previous character is overwritten and an error is indicated.

Framing Errors. In asynchronous transmission, this type of error occurs when the receiver mistakes a logic 0 data bit or a noise burst for a start bit. The error is detected because the receiver knows which bit after the start bit must be a logic 1 stop bit. In the case where the start bit is really a data bit, and the expected stop bit is not the stop bit but a start or data bit, then the framing error will be reported.

Timeout Errors. This type of error checking is performed by the Communication Protocol. Timeouts are used to ensure that timely communications exist between devices. When a source device initiates a communication, the target must respond within a certain amount of time or a timeout will occur, causing the communication to be aborted. During a CMM communication, there are a number of instances in which a timeout can occur. For a detailed explanation of these instances refer to Chapter 7, Protocol Definitions.

Asynchronous Transmission

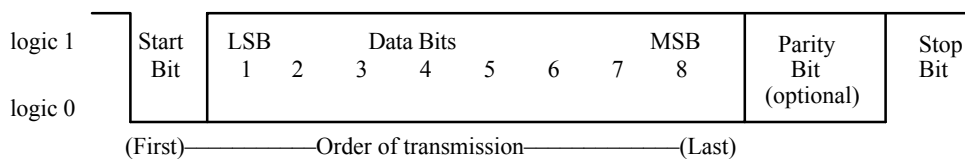
Asynchronous serial transmission is used in CMM communications. Although there is no synchronizing clock used, the transmitting and receiving equipment must be operating at the same bit rate or errors mentioned in the previous section will occur.

The general format for asynchronous communications includes a start bit, eight data bits, an optional parity bit, and a stop bit.

Table E-2. Serial Data Format

Serial Data Format											
Bit 0	Bit 1	Bit 2	Bit 3	Bit 4	Bit 5	Bit 6	Bit 7	Bit 8	Bit 9	Bit 10	
START	LSB	ACTIVE DATA BITS						MSB	(optional) PARITY	STOP	
0	←			1	or	0	→			1	

When the receiver detects the leading edge of the start bit, which is always logic 0, a timer is triggered to allow sampling to occur in the middle of each bit. After the last data bit (or the parity bit) has been received, the logic state of the line must be a 1 for at least one bit-time before receiving the next character. If no more characters are to be sent, the line will be maintained in the 1 state.



Serial Communications Line

The Serial Communications Line is the physical medium over which messages travel. The line can be a direct connection between devices or a connection through modems for long distance communications. The characteristics of the communications line depend on the requirements of the user and the electrical interface standard to which the line is constructed.

Modems

The word *modem* is an acronym for **MO**dulator/**DE**Modulator. A modem is a device that converts data from digital to analog for transmitting and from analog to digital for receiving over telephone communications lines. Some modems use other methods of transmission, such as radio or microwave.

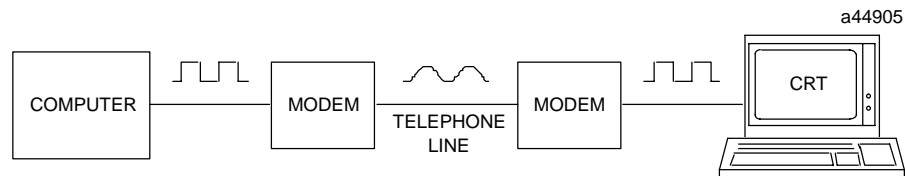


Figure E-1. Modems Used in the Communications Line

Modems are generally classified as to the type of telephone line facility that can be connected, half-duplex or full-duplex, synchronous or asynchronous, modulation technique for the analog signal, and the maximum data rate in bits per second. Modems were originally designed for and most frequently used with the RS-232D interface.

Communications Modes

There are three modes of communication:

- *Simplex*: mode in which information can be sent over a communications line in one direction only.
- *Half-duplex*: mode in which information can be sent in both directions over a communications line, but only one direction at a time.
- *Full-duplex*: mode in which information can be sent over a communications line in both directions at the same time.

Interface Standards

An interface standard is a set of rules which define the signal characteristics, cable and connection characteristics, connector pin assignments, and control sequences for a physical link between devices. CMM communications are based on the interface standards explained below.

RS-232

This standard was developed for interconnecting Data Terminal Equipment (DTE), such as a printer, CRT, or computer, to Data Communications Equipment (DCE), such as a modem, for transmission over a telephone line or network. It can, however, be used over short distances without a modem. Electrically, RS-232 can be described as an unbalanced or single ended voltage interface. This means that all the interchange signals share a common electrical ground. The basic characteristics of RS-232 are:

- Supports direct, point-to-point communications
- Maximum nominal cable length: 50 feet (15 meters)
- Maximum nominal data rate: 20 Kilobits/sec
- Logic assignments referenced to signal ground:
Space or logic 0: +3v to +25v
Mark or logic 1: -3v to -25v
- Uses 25-pin D-type connector (9-pin also supported but some optional signals not available)
- Includes 21 interchange circuits including data transmit and receive, data control, and timing. The most commonly used circuits are:

Note: For applications requiring distances longer than 50 feet, improved noise immunity, and/or multi-drop connections (support for more than two devices), inexpensive converters are available to convert RS-232 to RS-485 (the GE Intelligent Platforms IC690ACC901 miniconverter is described in Appendix O). Information on RS-485 is provided later in this appendix.

Table E-3. Standard (RS-232) Communication Interface Signals

Pin Number	Function	Abbreviation	Type	Direction
1	Protective Ground	PROT GND	-	-
2	Transmit data	TXD	Data	From DTE
3	Receive data	RXD	Data	To DTE
4	Request to send	RTS	Control	From DTE
5	Clear to send	CTS	Control	To DTE
6	Data Set Ready	DSR	Control	To DTE
7	Signal Ground	GND	-	-
8	Receive Line Signal Detect or Data Carrier Detect	RLSD or DCD	Control	To DTE
20	Data Terminal Ready	DTR	Control	From DTE

The RS-232 interface can be used for direct connections not exceeding 50 feet (15 meters). The following illustration shows the lines required for both devices to transmit and to receive.

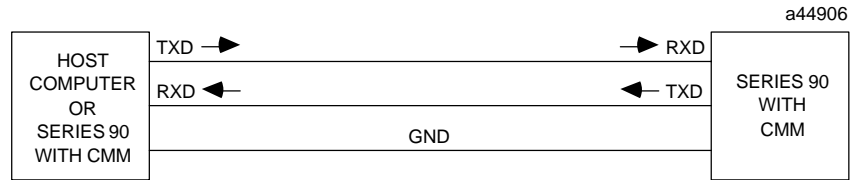


Figure E-2. RS-232 Direct Connection Without Flow Control

In the above case there is no data flow control; that is, both devices can transmit at any time and there is no check of the communications line before transmission.

When modems are used, without data flow control, both devices can transmit at any time and there is no check of the transmission line or that the carrier is present.

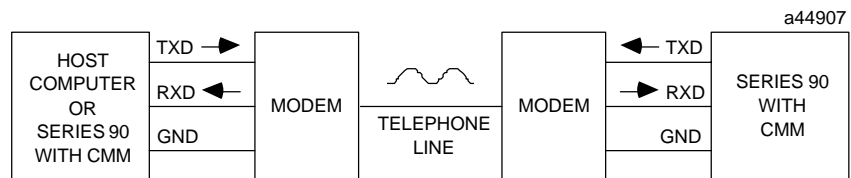


Figure E-3. RS-232 Modem Connection Without Flow Control

When flow control is desired, the RTS and CTS control circuits can be used to permit the following:

- RTS: The transmitting device can signal the transmitting modem that data is Requested To be Sent.
- CTS: The transmitting modem can signal back to the transmitting device that it is Clear To Send the data.
- Information on modems can be found in Appendices F, I, J, and K. For a complete explanation of control signal usage with modems as well as the electrical and mechanical characteristics of the interface, see your modem manufacturer's user's manual as well as the applicable EIA standard (see the topic "EIA Standards" in Appendix L).

RS-449, RS-422, and RS-485

RS-449, RS-422, and RS-485 comprise a *family of standards* reflecting advances in integrated circuit technology. These standards permit greater distance between equipment and a higher maximum data rate when compared with RS-232. RS-422 and RS-485 are standards which define electrical interface characteristics. RS-485 is an improvement on RS-422. RS-449 is a standard, used in conjunction with RS-422, which defines the connector pin assignments, cable and connector characteristics, and control signal sequences. RS-422 and RS-485 are balanced or differential voltage interfaces in which the signal lines are isolated from ground. One of the interface options for Series 90 serial communications is based on the RS-422/RS-485 standards. The basic characteristics of RS-422 and RS-485 (referenced as RS-485 in this manual) are:

- Supports multiple devices in a multi-drop arrangement
- Maximum cable length: 4000 feet (1200 meters).
- Maximum data rate: 1 Megabits/second at 4000 feet and 10 Megabits/second at 40 feet (12 meters).

- Logic assignments; differential inputs not referenced to ground:
 - Space or logic 0: Circuit A is +200 mv to + 6 v with respect to circuit B.
 - Mark or logic 1: Circuit A is –200 mv to – 6 v with respect to circuit B.
- There are no standard connector pin-out for RS-422, or RS-485. (This is unlike RS-232, which has standard 25-pin and 9-pin D-shell connector pin-outs.) Therefore, each device manufacturer's data sheet should be consulted for pin-out information when fabricating cables.
- 30 interchange circuits.

For a complete explanation of the electrical and mechanical characteristics of these interfaces, obtain a copy of EIA Standards RS-422 and RS-485 from the EIA. The EIA was formerly called the Electronics Industries Association. Their name was changed in 1997 to Electronic Industries Alliance. The EIA web site address can be found in the "EIA Standards" section of Appendix L.

Appendix F

Communication Networks

The term network (system) configuration refers to the way in which computers, terminals, and communication equipment are interconnected. With Series 90 PLCs the following data communications system configurations are possible:

- Point-to-Point (Peer-to-Peer or Master-Slave)
- Multidrop (Single Master-Multiple Slaves)
- Modem Transmission

Point-To-Point

Point-to-Point connection is the simplest type of system configuration; when using this method, only two devices are connected to the same communication line. Either RS-232 or RS-422 can be used. They can be connected in peer-to-peer mode where both devices can initiate communications, or in master-slave mode where only the master can initiate communications. The following figures illustrate the point-to-point configuration:

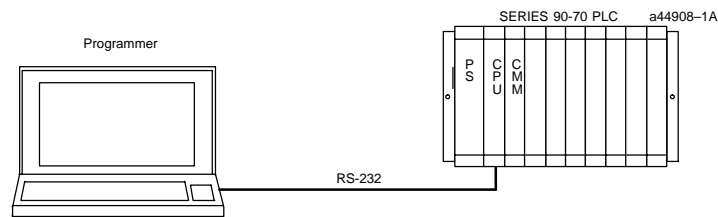


Figure F-1. Example RS-232 Point-To-Point Configuration

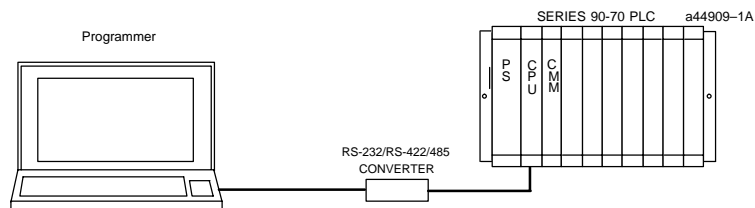


Figure F-2. Example RS-232 to RS-485 Point-to-Point Configuration

Multidrop

The multidrop configuration is a *party-line* structure in which several devices share the same communication line. For a hardwired multidrop network, all devices must use RS-422/485. If converters or modems are used to connect devices to the network, RS-232 or RS-422/485 can be used. It is important to note that RS-232 can be used only between two devices; whenever any device is physically connected to more than one other device, RS-422/485 must be used. In a multidrop network, only one device is a master and the rest are slaves; only the master can initiate communication with other elements in the system. The next figure shows a computer running GE CIMPLICITY software serving as the master in a multidrop configuration:

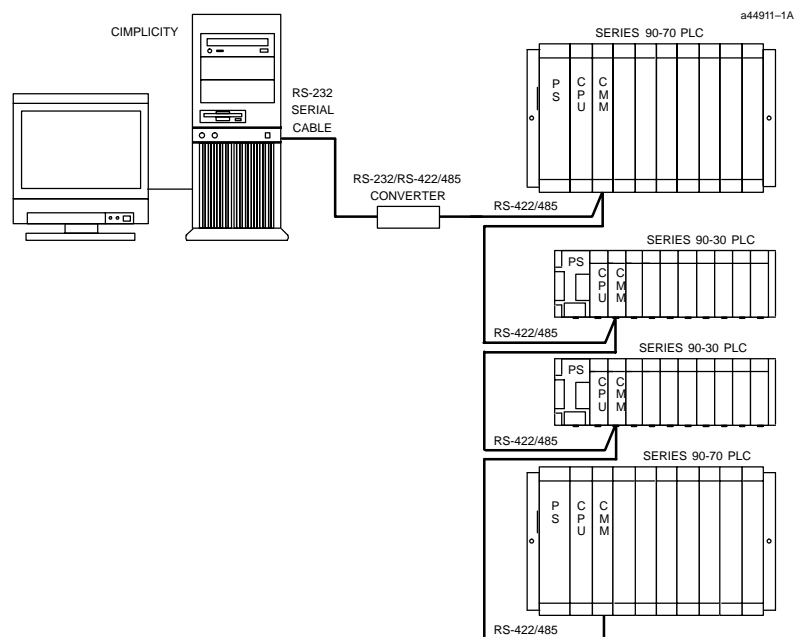


Figure F-3. Example Multidrop System Configuration

In the multidrop configuration, for SNP or CCM operation, one CMM or host device is configured as the master and one or more CMMs are configured as slaves; only master-slave operation can be used. A CMM configured as the master is capable of initiating communications; the slave is not. For the RTU operation, a host device capable of emulating RTU protocol is the master and one or more CMMs using RTU mode are slaves.

Idle slave devices continuously monitor the communication link to determine if the line is busy or idle. In the SNP protocol, when the line is idle, the slaves begin looking for a break sequence. After a Break is received, each slave then looks for the subsequent Attach request. Only the slave whose SNP ID matches the SNP ID in the request will respond. In the CCM protocol, when the line is idle, the slaves will begin looking for new enquiry sequences. Since there is typically more than one slave device sharing the multidrop line, each slave will only recognize enquiry sequences containing its own CPU ID number. For the RTU protocol, the

slaves will look for a new request. Since there is typically more than one slave device sharing the multidrop line, each slave will process only requests containing its own Station Address, or the broadcast address which is sent to all slaves. **Additional information on SNP Multidrop can be found in Appendix H.**

Modem Transmission

The word *modem* is an acronym for *MOD*ulator/*DEM*odulator. A modem is a device that converts data from digital to analog for transmitting and from analog to digital for receiving over telephone communications lines. In the following figure, a computer running GE CIMPLICITY software is communicating via modem with a Series 90-70 PLC.

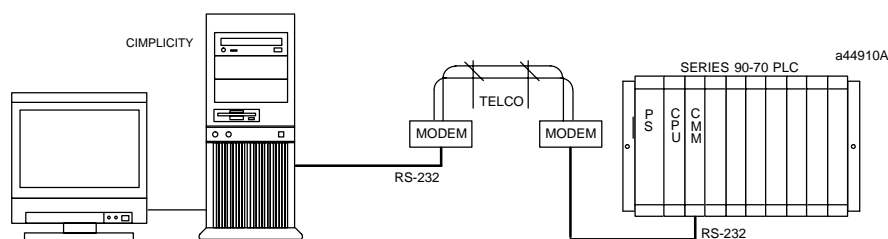


Figure F-4. Example Modem System Configuration

Some modems utilize other methods of transmission, such as radio or microwave. These modems are often used when the cables cannot be connected between the modems. The FCC normally requires the use of single frequency transmitters with short transmitter-on times. Therefore, a warm-up delay for the radio transmitter must be added before each transmission. The CMM keys the radio transmitter to warm up and wait a short time before actually transmitting the data. The various timeout values for the communication protocol are increased to include the added delay.

When using microwave or radio transmitters, the wiring depends on the particular modems and transmitters used. Consult your local GE Intelligent Platforms salesperson or Application Engineering for assistance.

Appendix G

IC690ACC903 Port Isolator

The IC690ACC903 RS-485 Port Isolator replaces the IC655CMM590 Isolated Repeater/Converter (also referred to as the “Brick”). This device features 500 volts of isolation in a compact package servicing all Series 90-30, Series 90-70, and VersaMax PLC product lines. The Port Isolator connects either directly to an RS-485 serial port or through an optional 12 inch (30 cm) extender cable, IC690CBL003, which may be ordered separately. The extension cable is intended for applications where direct connection to the port is obstructed by surrounding equipment or when it is not acceptable for the Port Isolator to protrude from a PLC module. The Port Isolator can operate in either single or multi-drop mode, selected by a slide switch on the top of the unit (see switch in figure below). The Port Isolator provides the following features:

- Four opto-isolated signal channels: SD, RD, RTS, and CTS
- Electrical compatibility with RS-485
- Single- or multi-drop operation
- A 5V DC/DC converter for power isolation
- Hot insertion is supported

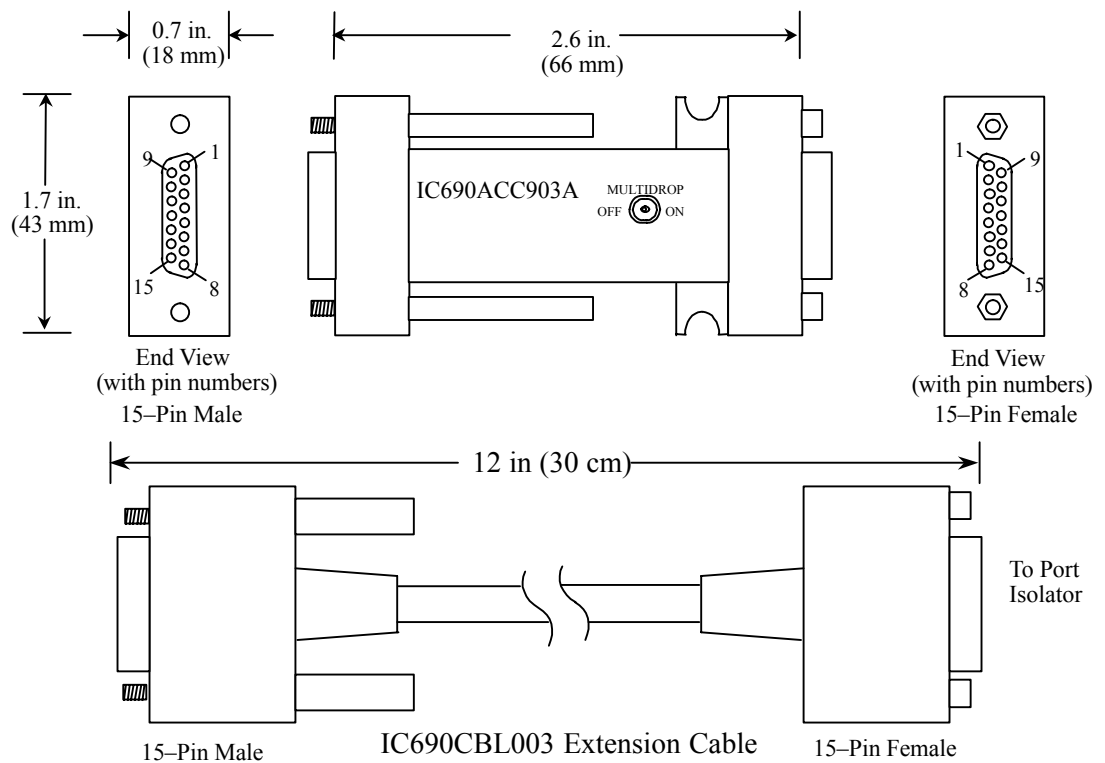


Figure G-1. IC690ACC903 Port Isolator and Extension Cable

Connectors

The Isolator provides two connectors, one 15 pin male D-type (PL1) and one 15 pin female D-type (PL2). Note that in the following table, A denotes – and B denotes +. Also, A and B denote outputs and A' and B' denote inputs.

RS-485 Connectors

	Pin	Pin Name	Pin Type	Description
PL1	1	SHLD	–	Chassis Ground
	2	NC	–	
	3	NC	–	
	4	NC	–	
	5	5V	–	+5V power
	6	CTS (A')	In	Clear to send –
	7	0V	–	Signal Ground
	8	RTS (B)	Out	Request to send +
	9	NC	–	
	10	SD (A)	Out	Send data –
	11	SD (B)	Out	Send data +
	12	RD (A')	In	Read data –
	13	RD (B')	In	Read data +
	14	CTS (B')	In	Clear to send +
	15	RTS (A)	Out	Request to send –

	Pin	Pin Name	Pin Type	Description
PL2	1	NC	–	
	2	NC	–	
	3	NC	–	
	4	NC	–	
	5	5V	–	+5V power
	6	RTS (A)	Out	Request to send –
	7	0V	–	Signal Ground
	8	CTS (B')	In	Clear to send +
	9	RT	–	Termination Resistor*
	10	RD (A')	In	Read data –
	11	RD (B')	In	Read data +
	12	SD (A)	Out	Send data –
	13	SD (B)	Out	Send data +
	14	RTS (B)	Out	Request to send +
	15	CTS (A')	In	Clear to send –

*Use the termination resistor if the Port Isolator is used in port-to-port mode or at the end of a multi-drop configuration. To terminate the RD balanced line, place a jumper wire from pin 9 to pin 10.

Logic Diagram

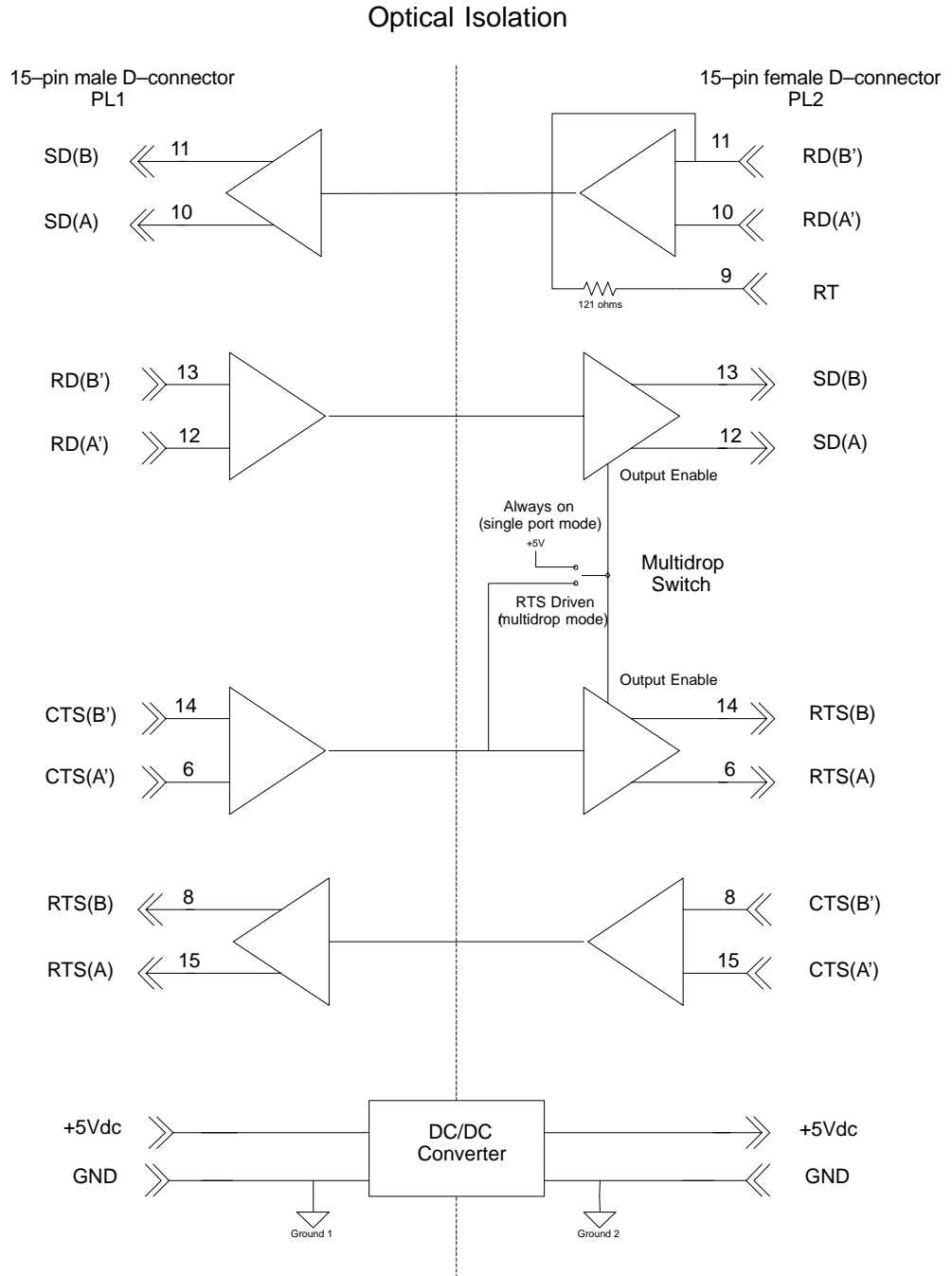


Figure G-2. IC690ACC903 Block Diagram

Installation

The Isolator is packaged in a contoured plastic enclosure designed for either direct attachment to a serial port or through a 12" extender cable for panel mounted applications. Two M3 thumb-screws secure the device to its mating connector. The device can be easily inserted into an existing communication channel with no additional hardware. In Figure G-3, the Isolator is shown connected directly to a CPU module. Alternatively, the Isolator can be mounted separately from the PLC system using the optional IC690CBL003 extender cable. For mounting separately to a panel, you will need to provide two #6-32 (4 mm) mounting screws (Figure G-4).

When installing the Isolator, tighten the connector screws and panel mounting screws (if used) to the following torque values:

Screws	Type	Torque
Connector Thumbscrews (supplied with Isolator)	M3	8 in./lbs. (0.9 Newton-meter)
Panel Mounting Screws (user-supplied)	#6/32 (4 mm)	12 in./lbs. (1.4 Newton-meters)

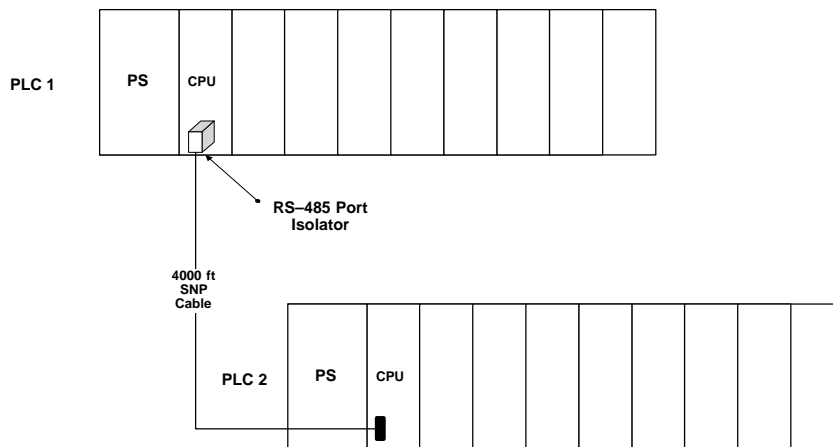


Figure G-3. RS-485 Port Isolator in PLC Network

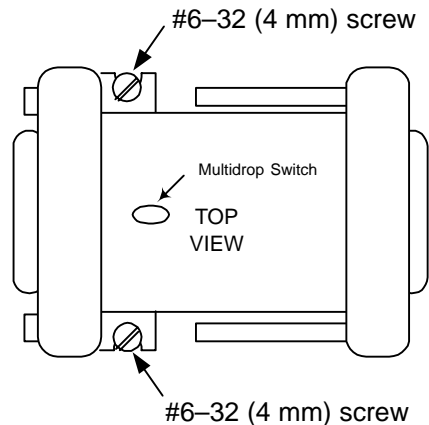


Figure G-4. Mounting Port Isolator to Panel

The RS485 Port Isolator supports both port-to-port and multi-drop configurations (shown in the next figure). In some cases the Isolator is powered by a source other than the host port. This configuration is used to prevent an interrupt in communications if the host system requires a power cycle. It also prevents power loss to equipment using the port for power. For this, you will need to build a custom cable as shown in Figure G-6.

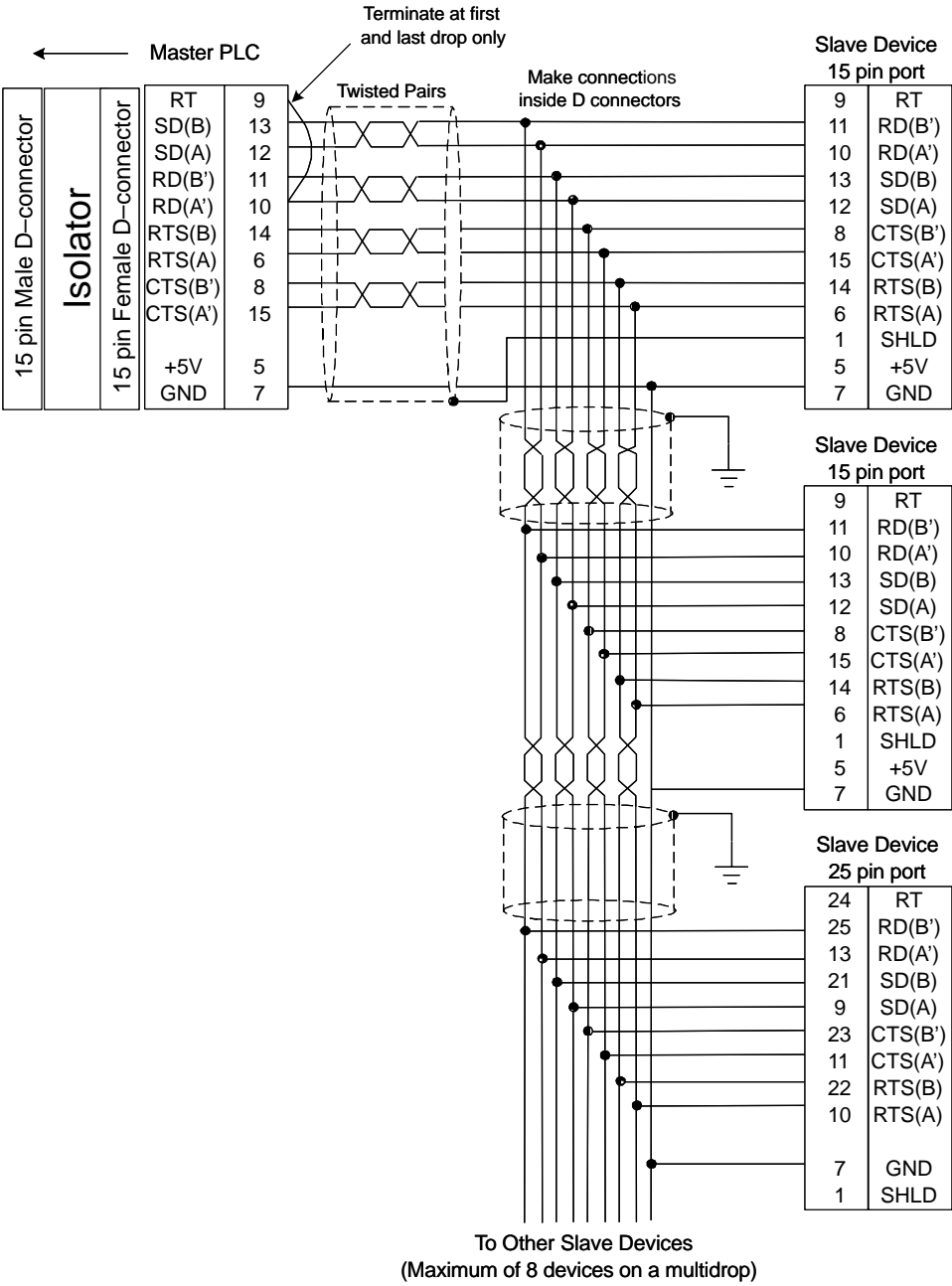
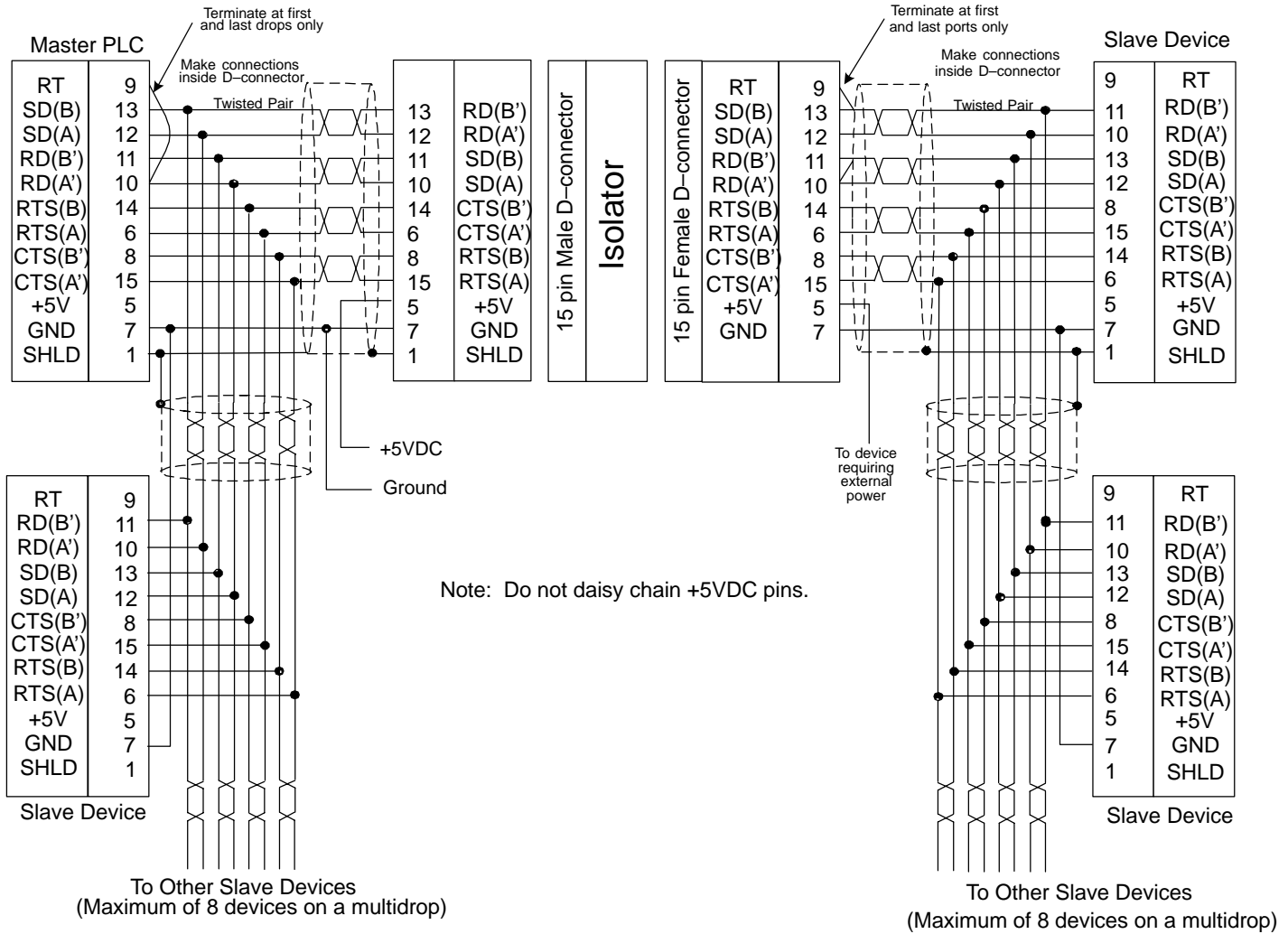


Figure G-5. Multidrop Configuration Connecting Devices with 15-Pin Ports and 25-Pin Ports



Figure G-6. Cable for Supplying External Power Through the Port Isolator



Specifications

Mechanical	
RS-485	15-pin D shell male for direct mounting to serial port on the programmable controller 15-pin D shell female for communication cable
Installation Hardware	Two M3 thread connector thumbscrews. Recommended torque: 8 in./lbs. (0.9 Newton-meter). These are supplied with Isolator. Two user supplied #6/32 (4mm) thread panel mounting screws. Recommended torque: 12 in./lbs. (1.4 Newton-meter)
Electrical	
Voltage Supply	+5VDC (supplied by port)
Typical Current	25 mA 100 mA available for external equipment
Ground Isolation	500 Volts
Conformance	EIA-422/485 Balanced Line
Operating Temperature	0° – 60°C (32° – 140° F)
Baud Rate	Those supported by PLC

Note: This appendix is based upon Data Sheet GFK-1663.

Appendix H

SNP Multidrop

SNP Multidrop Overview

As used in this appendix, the term “SNP Multidrop” refers to a serial communications system that allows a programming device (called the “master or host”), such as a personal computer running GE programming software, to connect to two or more PLCs or intelligent Option modules (called “slaves”) via a single connection. In this arrangement the programmer is able to program, configure, test, troubleshoot, etc., any one of the multidropped devices from one connection point.

Physically, a typical SNP multidrop system consists of a personal computer and two or more PLCs interconnected by a “daisy-chain” type cabling arrangement, as shown in the figure below. It is necessary to assign each slave device (PLC or Option module) a unique SNP (Series Ninety Protocol) address, using programming software such as Logimaster or VersaPro. The SNP address is used by the programmer to designate which PLC it will communicate with. The SNP protocol uses the RS-422 communications standard. Note that the PLCs or Option modules do not communicate with each other over the multidrop system. They only communicate with the programmer. And only one device, the one designated by the programmer, can communicate with the programmer at a time.

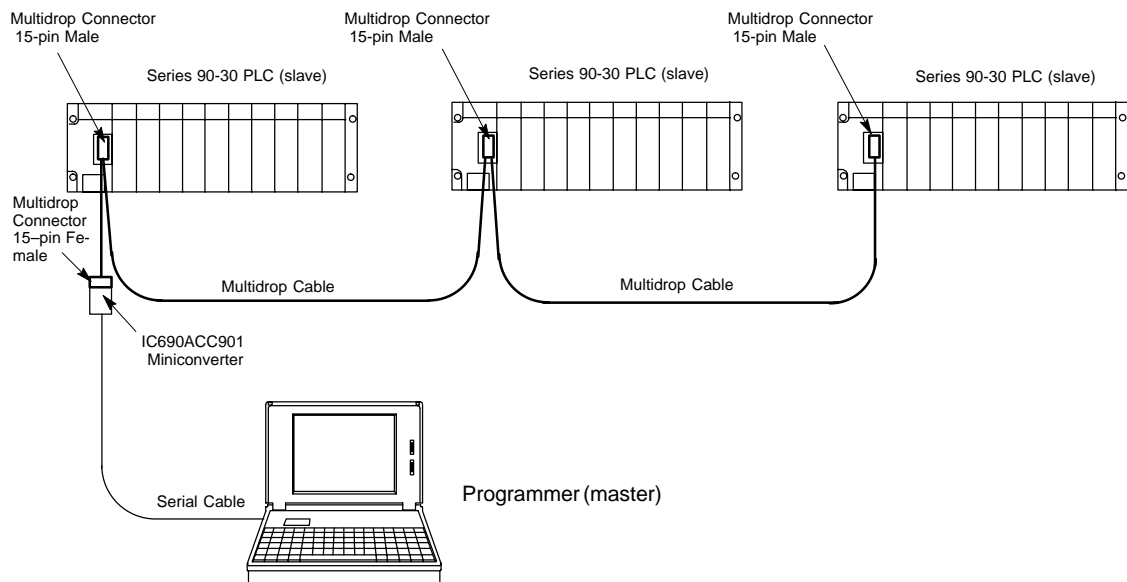


Figure H-1. Series 90-30 Multidrop Example

Multidrop Cables

There are two sources of multidrop cables:

- **GE Intelligent Platforms cable, catalog number IC690CBL714A** – This pre-made cable can be purchased for applications where the PLCs are mounted in the same cabinet, such as in the case of redundant systems. The length of this cable is 40 inches (1 meter). See Chapter 8 for details about this cable.
- **Custom built** – For PLCs that are more than 40 inches (1 meter) apart, it is necessary to build a custom length cable. The specifications are provide below.

Limitations

- The maximum cable length between a master (programmer) and slave device (PLC or Option module) in a multidrop system is 4,000 feet (1,219 meters).
- The maximum number of slave devices is limited to eight.

Cable and Connector Specifications

Cable assemblies have proven to be among the most common causes of communications problems. For best performance and highest reliability, carefully construct all cable assemblies using the recommended connector parts and specifications in the table below.

Table H-1. Connector and Cable Specifications

Item	Description
Connectors	<p>Series 90 PLC: Serial (RS-422) port with metric hardware</p> <p>Connector: 15-pin male, D-Subminiature Type, Cannon DA15S (solder pot) Hood: AMP 207470-1 connector shell Hardware Kit: AMP 207871-1 Kit includes 2 metric screws and 2 screw clips</p>
	<p>Miniconverter: For connecting to IC690ACC901 miniconverter</p> <p>Connector: 15-pin female, DB15F, Hood: AMP #207470-1 or equivalent M3 Latchblocks: AMP #208101 or equivalent</p>
Cable	<p>Computer grade, 24 AWG (.22 mm²), minimum with overall shield</p> <p>Catalog Numbers: Belden 9505, Belden 9306, Belden 9832</p> <p>These cables provide acceptable operation for data rates up to 19.2 Kbps as follows:</p> <p style="padding-left: 40px;">RS-422/RS-422: 4000 feet (1200 meters) maximum length. Must not exceed the maximum RS-422 Common Mode specification of +7V to -7V. Isolation at the remote end may be used to reduce or eliminate Common Mode voltages.</p> <p>When using RS-422/RS-485, the twisted pairs should be matched so that both transmit signals make up one twisted pair and both receive signals make up the other twisted pair. If this is ignored, cross-task resulting from the mismatching will affect the performance of the communications system.</p> <p>When routing communication cables outdoors, transient suppression devices can be used to reduce the possibility of damage due to lightning or static discharge.</p> <p><i>Care should be exercised that all connected devices are grounded to a common point. Failure to do so could result in damage to the equipment.</i></p>

Custom Made MultiDrop Cable for use with Miniconverter

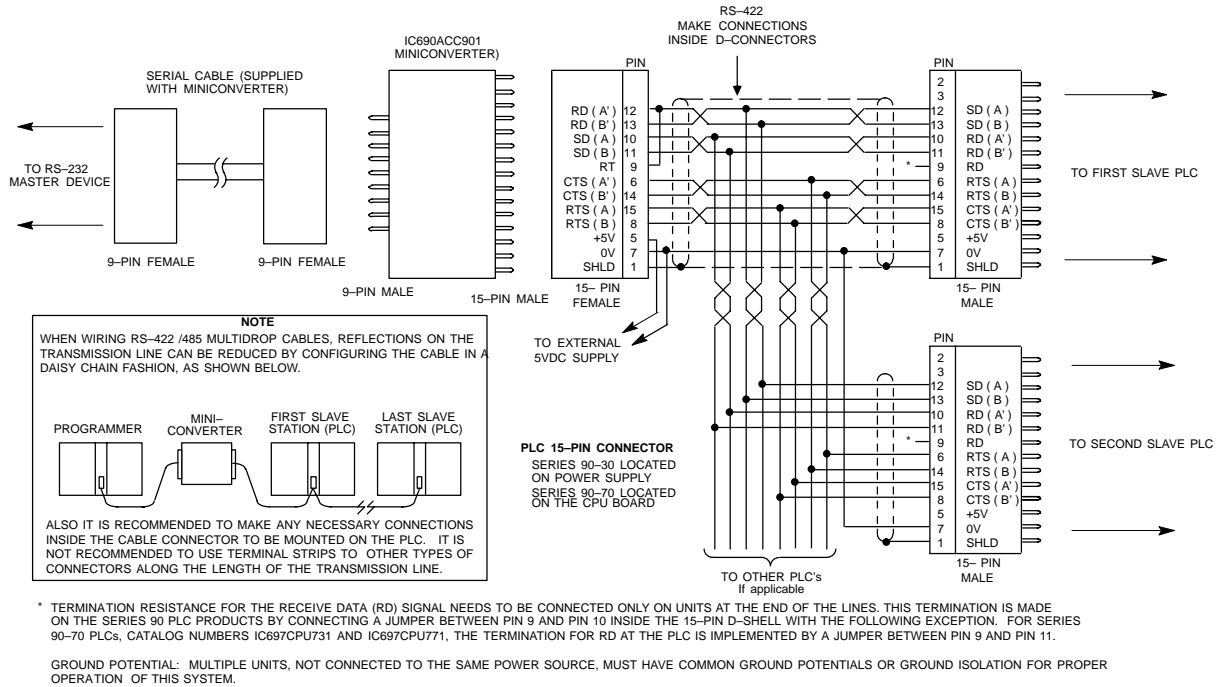


Figure H-2. Custom Made Multidrop Cable Wiring Diagram

SNP Multidrop Examples

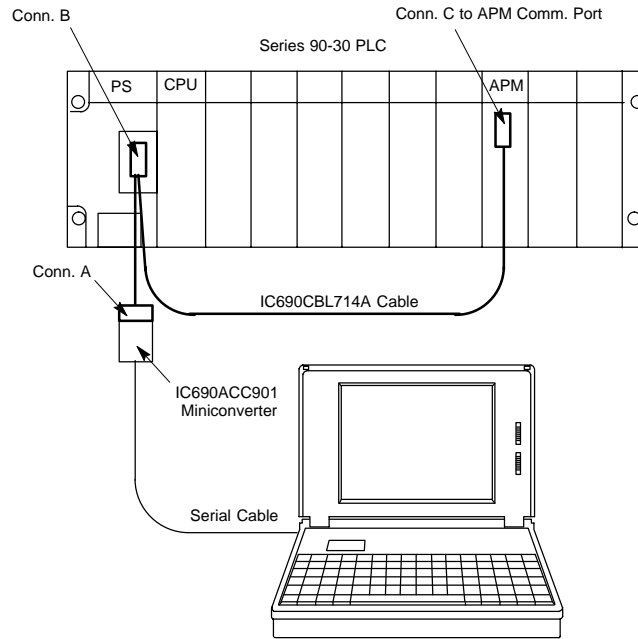


Figure H-3. Connecting CPU and APM to Programmer with IC690CBL714A Cable

a47100

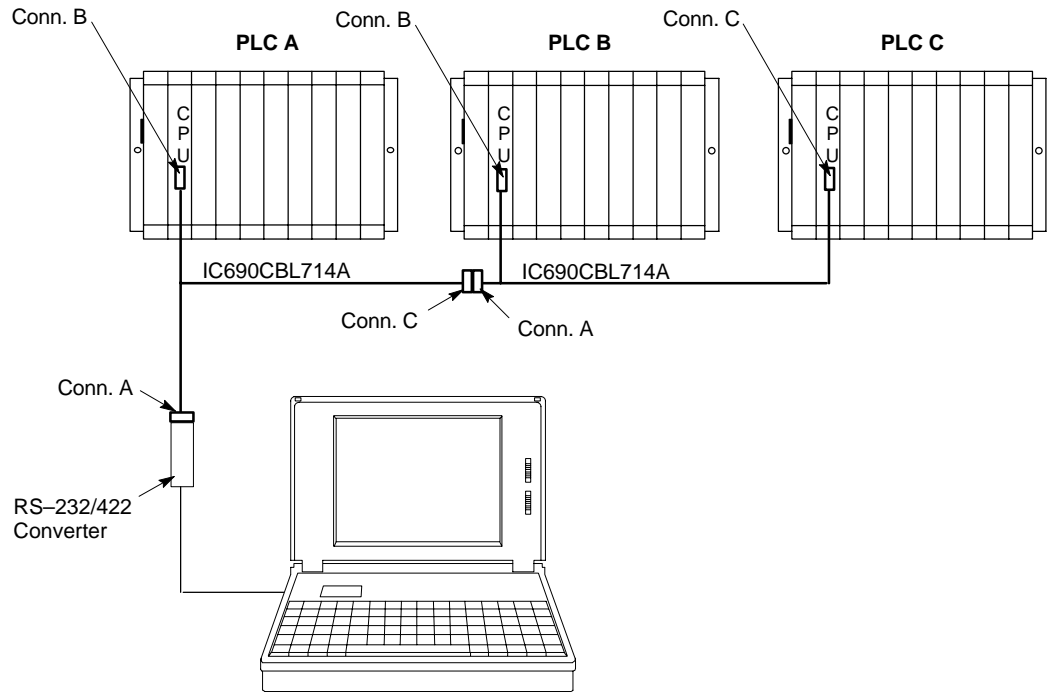


Figure H-4. Multidrop Arrangement for Series 90-70 TMR Redundant System

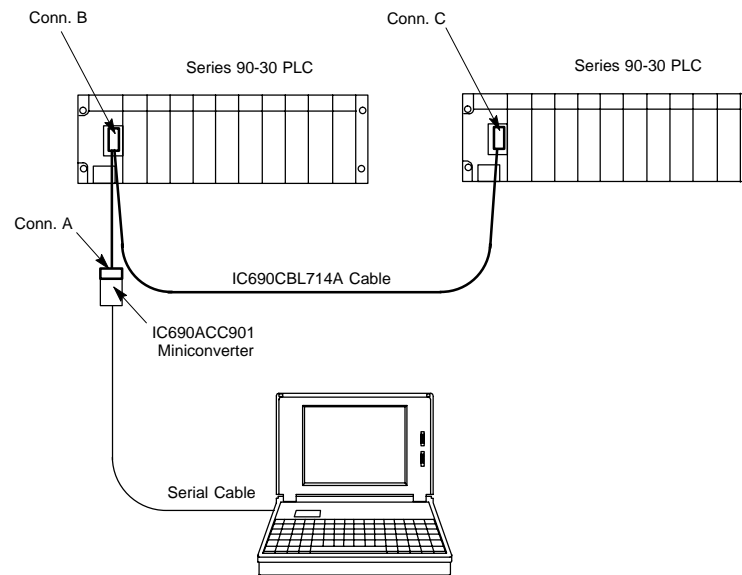


Figure H-5. Multidrop Arrangement for Series 90-30 Redundant System

Configuring and Connecting a Programmer to a Multidrop Network

Each slave device on a multidrop system must have its own unique SNP ID (identification). The SNP ID assignment is made with a programmer running GEs programming software, or with the Hand Held Programmer. Logicmaster, Control, or Versa Pro software packages all can be used for this purpose. The following example uses Logicmaster. Please see your software user's manual or on-line help screens for specific instructions. Regardless of what software you use, the basic steps are:

- Connect your programmer to each individual PLC or module on the multidrop system and assign each one a unique SNP ID. **Make sure that each device on the multidrop system is configured for identical communications settings, such as baud rate, parity, etc.**
- Connect your programmer to the multidrop system and select Multidrop as the programmer's connection method.
- In the programming software, select the SNP ID of the PLC or module you wish to connect to.

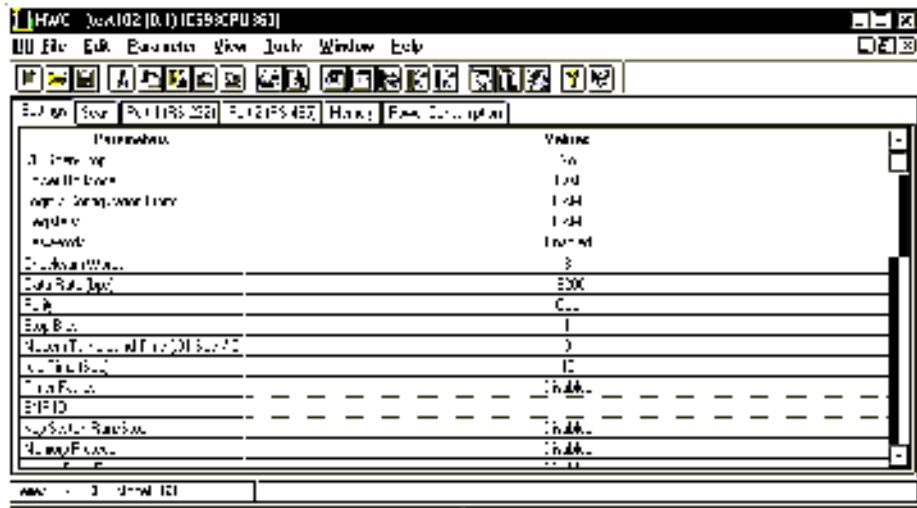
Assigning a PLC SNP ID to a PLC with Logicmaster

- Take your programmer to the first PLC to be assigned, and connect directly to its programmer port.
- From the Logicmaster Main Menu, select F2, "Logicmaster 90 Configuration Package."
- Select F2, "CPU Configuration."
- Put the software in the ONLINE mode.
- Select F3, "Assign PLC ID." On the ASSIGN PLC ID screen, the CURRENT PLC ID field will display an ID if the PLC has one. If the PLC does not currently have an SNP ID, this field will be blank. (In the OFFLINE mode it will display a series of asterisks.)
- Key in the new PLC ID. For newer CPUs, it may be from one to seven alpha-numeric characters long. For older CPUs, it is limited to a maximum of six characters. For example, it could be PLC1, APM001, A1, B00001, etc.

- Press the Enter key. The new SNP ID will be written to the PLC and the CURRENT PLC ID field on your screen will update to show this new SNP ID.
- Repeat the above steps for each PLC that is on the multidrop system. If assigning an SNP ID to a module other than a CPU, see the user’s manual for that particular module for instructions.

Assigning an SNP ID Number to a PLC with VersaPro

- Take your programmer to the first PLC to be assigned, and connect directly to its programmer port.
- In VersaPro, select Hardware Configuration (HWC). An image of your PLC rack will appear on screen.
- Double click the slot (Slot 1) that contains the CPU. The configuration window for the CPU will appear.
- Click the Settings tab, shown in the next figure. Notice the SNP ID parameter. If the connected PLC does not have an SNP ID, this field will be blank.



- Select the SNP ID Value field, then enter a unique value for the SNP ID parameter.
- Save the configuration and store it to the PLC.
- Repeat for each CPU on the multidrop system.

Connecting your Logicmaster Programmer to a PLC on a Multidrop System

- Connect your programmer to the programmer connection point for the multidrop system.
- From the Logicmaster Main Menu, select F2, “Logicmaster 90 Configuration Package.”
- Select F7, “Programmer Mode and Setup.”
- Select F3, “Select PLC Connections.”
- In the SELECTED SNP ID field, enter the SNP ID of the PLC or device (such as an option module) you wish to communicate with.

- In the PORT CONNECTION field, select MULTIDROP.
- Press F6, “setup,” to connect to the selected PLC or device. You should connect within a few seconds. If you cannot connect, see the next section, “SNP Multidrop Troubleshooting.”

Connecting your VersaPro Programmer to a PLC on a Multidrop System

- Connect your programmer to the programmer connection point for the multidrop system.
- From the main VersaPro screen, click Tools on the Menu bar.
- Click Communications Setup on the Tools menu. The Communications Configuration Utility (CCU) window will appear.
- You must create a separate communications setup (“Device”) for each CPU that you wish to communicate with on the multidrop network. Start by clicking the New button. The Add New Device window will appear.
- Fill in the following fields:
 - **Device Name** – We recommend you choose a name that will help you remember which CPU on the multidrop network it applies to.
 - **Device Model** – The model of PLC that you wish to connect to. Select from the drop-down list.
 - **Default Port** – The serial port on your programmer that you will use for your multidrop communications, such as COMM1, for example. Select from the drop-down list.
 - **SNP ID** – The unique SNP ID of the PLC that you wish to connect to.
 - Leave the rest of the fields blank.
- Click the OK button to close the Add New Device window and save your device (setup). Your new setup should appear in the Device Names column of the CCU window. If you wish to create setups for other PLCs, repeat this Add New Device process for each one.
- Click OK to close the CCU window.
- Click PLC on the Menu bar.
- Click Connect on the PLC menu. The Connect dialog box will appear.
- In the Device column, click the Device Name you created for the PLC you wish to connect to.
- Click the Connect button to connect to the specified PLC.

SNP Multidrop Troubleshooting

If you are having trouble connecting to a PLC or module over the multidrop system, check the following:

- **Is there a problem with all PLCs or only one?** Try connecting to other PLCs over the multidrop system. If you cannot connect to any, check for a common problem such as a defective cable. If you can connect to all but one PLC, use the direct connection method described in the next paragraph. Also, if you only have a problem with the last PLC on the multidrop link, the last section of cable may have a problem. Or, perhaps you can connect to all PLCs up to a certain point, but none beyond that point. This would also strongly suggest that there is a problem in a section of cable.

- **SNP ID may be incorrect.** You may not be able to connect because you are specifying the wrong SNP ID. If you are not sure of a PLC's SNP ID and would like to check it, you can connect your programmer directly to the PLC's programmer port and read its SNP ID from LogiMaster's ASSIGN PLC ID screen, (as described in "Assigning an SNP ID to a PLC with LogiMaster," above), or in VersaPro, click PLC on the Menu bar, then click Status Info. An status box will appear that contains the SNP ID read from the PLC. In LogiMaster, make sure you change the programming software's connection method to Direct for this test. When set for Direct connection, LogiMaster will communicate with a directly connected PLC without regard to its SNP ID. In VersaPro, use a communications setup (Device) that contains a blank SNP ID field.
- **Communications settings may not match.** If the PLC's serial port communication settings and the programming software's communication settings do not match, they will not be able to communicate. These settings include such things as BAUD Rate, Parity, Stop Bits, etc. If you suspect this to be the problem, try connecting directly to the PLC as described above in "SNP ID may be incorrect." If you cannot connect directly, there may be a communication settings mismatch. If so, set the programming software to its default communication settings and try again. If this doesn't work, you may be able to change the programmer's communications settings, one at a time, until you get it to match the device.
- **Multidrop may not be selected as the LogiMaster connection method.** The default LogiMaster connection method in the programming software is Direct, which requires that you be connected directly to a PLC or module's programmer port. If this default setting is not changed to Multidrop, you will not be able to connect to a selected SNP ID over a multidrop system.
- **You may have a hardware problem.** Inspect the multidrop cable; it may be wired incorrectly, damaged, or disconnected. A wire may be loose on one of the connectors. Also, physically check the status of the PLC you are trying to connect to. It may not be powered up; it may be stopped; or it may have some other problem. A quick check can be made of the LED indicator lights on the Rack 0 (the CPU rack) power supply. For example, in a Series 90-30 system, the PWR, OK, and RUN LEDs should all be ON.

Eliminate the PLC itself as a possible problem by connecting your programmer directly to the PLC's programmer port. You should be able to communicate with a PLC using this direct connection (even if the LogiMaster software is configured for Multidrop), as long as the SNP IDs match. If you are not sure of the SNP ID of the PLC, and are using LogiMaster, set your LogiMaster software to Direct connect and it will connect regardless of the PLC's SNP ID (unless there is a hardware problem or communications setting mismatch, both of which are described above). If using VersaPro, use a communications setup (Device) that contains a blank SNP ID field, which should let you connect to a directly connected PLC regardless of the PLC SNP ID.

Introduction

This chapter discusses serial communications using modems. Some possible Series 90 PLC communications applications that require use of modems are listed next.

- Connecting a programmer running GE Intelligent Platforms PLC Programming software to a Series 90 PLC system. This is useful for connecting to a remote site for troubleshooting or monitoring purposes. If there are multiple PLCs at the remote site, they can be connected in a multidrop arrangement, which can be accessed via a modem. This would allow a remote programmer to access all PLCs on the multidrop network. For more information on multidrop systems, see Appendix H.
- Connecting two PLCs for the purpose of sharing data when the PLCs are a long distance apart, or when the PLCs are in locations where it would be impractical to string serial cabling between them.
- A wireless modem system can be used in a remote PLC installation where there are no telephone lines available. DATA-LINC (www.data-linc.com/geschm.htm) makes suitable modem equipment for this application.

The following main topics are covered in this chapter:

- Example modem application
- Modem Recommendations
- General Modem Issues
- Modem Operating Tips

Example Modem Application

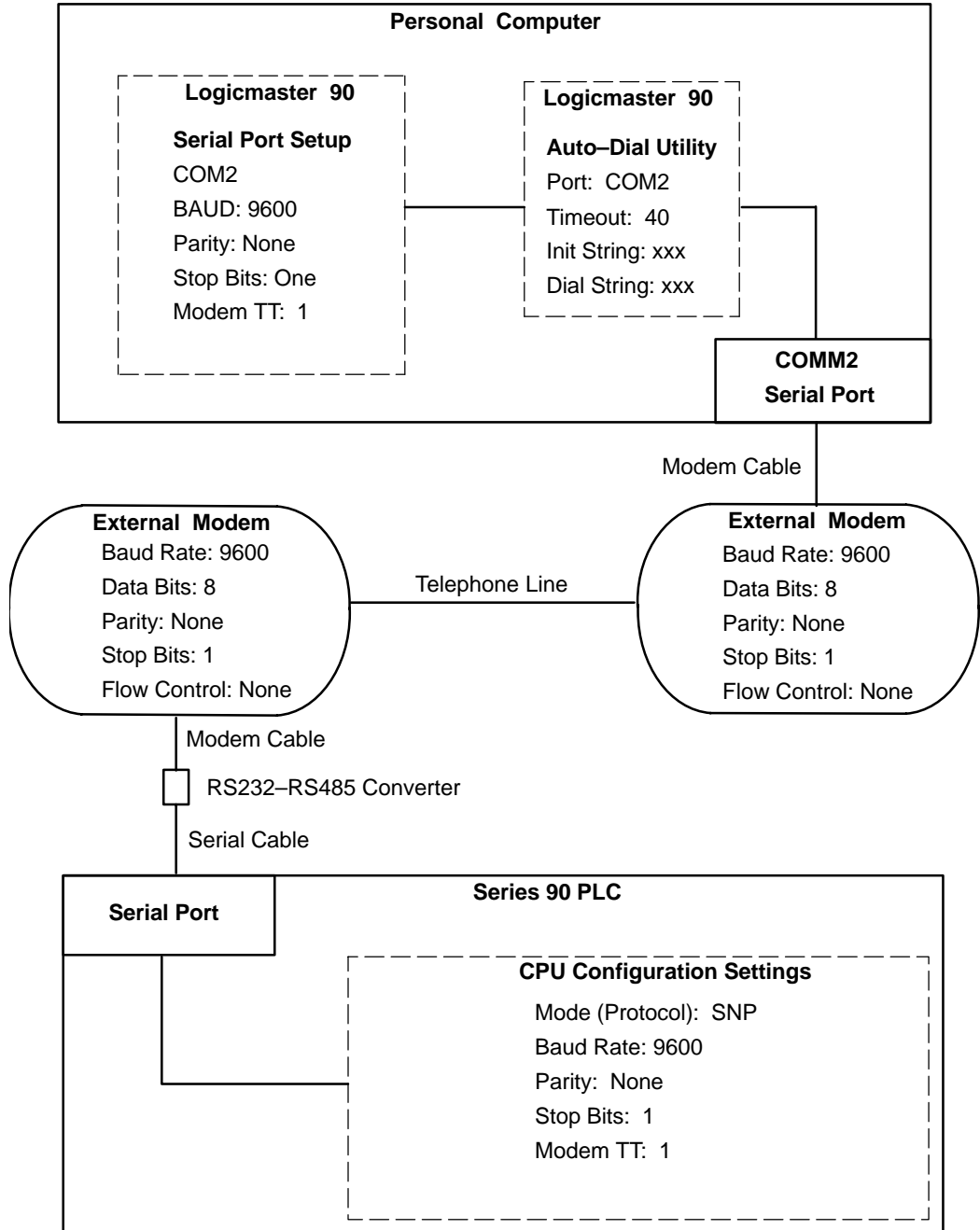


Figure I-1. Example of Communications Configuration Using External Modems

Modem Recommendations

Refer to the setup documents (cabling, AT commands, general setup) for your modem on the GE Intelligent Platforms website: www.ge-ip.com/support

You will find details there on the following modems:

- SIXNET VT-MODEM-1
- US Robotics Courier V.Everything 56K Business Modem
- US Robotics 56K Sportster FaxModem
- Datalinc DLM4000 – Leased line dial-up modem (this modem is pre-configured by Datalinc according to your application. Datalinc is a GE Intelligent Platforms Accompany Program member. Contact them at www.data-linc.com)

You can also obtain modem information on the GE Intelligent Platforms Faxlink system. This system will send documents that you specify to your fax machine. The phone number and instructions are found in Appendix L, “Getting Help.”

The modems listed above have been tested by GE for compatibility with the SNP protocol; however, it is possible that future changes in these modems may affect their SNP compatibility. Please check our web site for the latest information. Because there have been hundreds of different modem models marketed by over 100 modem manufacturers over the past several years, it has not been practical for GE to test them all.

Not all modem models will work with the SNP protocol, so if you wish to use a model not listed on our web site, some experimentation will be required to determine if it will work. This chapter provides guidelines to assist you with setting up your modem. If you need additional help, you may refer to our web site for general information or call the GE Intelligent Platforms Technical Support Hotline (see Appendix L for Technical Support phone numbers).

Modem configuration may be accomplished with the Logicmaster Auto-Dialer utility or the Windows 95/98 HyperTerminal utility by entering the “AT” commands specified by the above documents. Both utilities are discussed later in this chapter. Some typical parameter settings necessary for SNP to operate across a modem connection are:

- Disabling flow control
- Disabling error correction
- Disabling data compression
- Forcing the modems to only communicate at the desired baud rate
- Sending a break signal intact (only for pre-Break-Free CPU’s)
- Ignoring the DTR signal
- Setting auto-answer for remote modem

You should choose a modem that allows you to make these settings if you cannot obtain a modem from the recommended list above.

For Testing Purposes:

There are 3 PLC’s with modems connected to them on the GE Intelligent Platforms Technical Support Hotline for anyone who wants to run testing. They are all configured for 9600 baud, no parity, 8 data bits, 1 stop bit, modem turn-around time of 1.

804-978-5871 90-70 CPM915
 804-978-5872 90-30 CPU351 (without break-free SNP)
 804-978-5938 90-30 CPU351 (with break-free SNP)

Note that NO PCMCIA modems have been recommended by GE Intelligent Platforms Technical Support because of mixed results in testing. This does not mean that a PCMCIA modem will not work, but there will be cases where our PLC’s will not communicate through PCMCIA modems.

General Modem Issues

Because of the dynamic nature of the computer/communications industry and limited resources for testing modems, you may not be able to obtain one of the modems recommended by GE. In this case, there are a few steps that can be taken to see if another modem will work.

The Chipset

The first thing to look at is the chipset that the modem uses. This information can be obtained through the modem manufacturer, their web site, or occasionally through the computer manufacturer. The chipset dictates what AT commands are used to configure the modem. The AT command reference will be available from the chipset manufacturer (typ. Rockwell, Lucent, USRobotics, Hayes).

The Break

The long break is a signal from the UART's transmit pin, where it is held as a "1" for at least 3 character times. It is only sent before an SNP attach message when a master is trying to establish communications with a slave. The slave will be "sleeping" until it receives a break from a master. It will then process the following characters and determine if the message is valid or not. The master sends the break to the slave, waits for 500ms for the slave to wake up, and sends the attach message. Note that "break-free" SNP is available on some GE CPUs; for these, the break is not required (see table below). For those CPU's that require the break to be passed, the modem needs to send the break intact without affecting the data being sent. This mode is sometimes called non-destructive, expedited, or pass-through. A destructive break will clear all data in the buffers of the modem, which is usually not a problem because the break is sent before any other data. It may also force the modem into one of many modes including diagnostic, command, and remote loopback. Typical parameters that configure modems to pass the break are the 'S82' register (for most chipsets) and '&Y' command (for USR).

90-30	Break-Free supported	Firmware revision required
CPU311, 313, 323	YES	8.20 or later
CPU321	NO	N/A
CPU331, 341	YES	8.20 or later
CPU340	NO	N/A
CPU350, 351, 352	YES	9.00 or later
CPU360	YES	9.00 or later
CPU363, 364	YES	ALL
CMM311	NO	N/A
90-70		
NO 90-70 CPU'S OR COMMUNICATIONS MODULES SUPPORT BREAK-FREE SNP		
90 Micro		
NO SERIES 90 MICRO PLC'S SUPPORT BREAK-FREE SNP		
VersaMax		
ALL VERSAMAX PLC'S SUPPORT BREAK-FREE SNP		

Flow Control, Data Compression and Error Correction

These should be disabled. Flow control must be disabled because SNP uses the CTS signal for cable detection, not flow control. Data compression and error correction must be disabled because they cannot be used without flow control. Error correction can modify the character timing, but with enough of a modem buffer may be able to be used without flow control.

Modem Operating Notes

Caution

If a communication error occurs while a configuration, program, or piece of a program is being downloaded to the PLC, the PLC will clear itself and go into a STOP/FAULT mode as a safety feature. Therefore, any processes or systems that are running WILL BE SHUT DOWN, and a fault to the effect of a PLC Sequence Store Failure or some sort of CPU software fault will be logged into the PLC fault table. The program will need to be re-downloaded to the PLC, or the PLC needs to be power-cycled if the program and configuration are stored in FLASH or EEPROM, in order to restore operation. This possibility should be a serious consideration when communicating via modems because of the distinct possibility that data corruption can occur.

PCMCIA Modems

PCMCIA modems operate differently than external modems. One major difference is that some PCMCIA slot drivers will remove power from the modem card when the port is deactivated (ie. HyperTerminal's connection is removed). Removing power from the PCMCIA slot will obviously hang up the modem. This means that dialing with HyperTerminal will not work. You must use the modem connect procedure within the programming software in order to keep the com port handle active.

BAUD Rate

The baud rate is a critical setting for reliable communications. 19200 baud is the current maximum rate for GE PLCs, but the distance between modems and line quality will dictate what baud rate is acceptable. Keep in mind that modem manufacturers recommend that modem speeds do not exceed 2400 baud if error correction is disabled. SNP does not use hardware flow control and all data integrity/correction features of the modems must be disabled. Therefore we are relying on an 8-bit checksum to catch transmission errors, meaning 1 out of every 256 errors will not be detected. Running the modem over low-quality analog phone lines with high data rates will increase the chances of transmission errors. It is a good idea to find the optimum baud rate by experimenting with the actual line quality and connection rate before fully implementing a system. Experimenting would include loading FROM the PLC many times to see if any communication errors occur. Another test is see if the modem being used contains a line quality diagnostic setting. Many modems will have a feature that can be displayed with an AT command that will show the line quality of the last connection made. Some manufacturers also have test modems that can be called and that will download connection statistics to the caller.

Forcing modems to a single baud rate is desirable. Because the PLC serial port can only be configured to one rate, forcing the PLC modem to its baud rate ensures that the modems will not negotiate to a different speed.

Parity

Most modems will not pass parity. They usually only encode a 10-bit frame (typically 1 start bit, 8 data bits, 1 stop bit) not an 11-bit frame (1 start bit, 8 data bits, 1 parity bit, 1 stop bit.)

Turnaround Time

The modem turnaround time in the PLC and programmer delays the time from when the device receives transmission to when it responds. You may need to have a Turnaround Time value of 1 (10ms) or greater in the PLC and programmer if a modem is being used,

Introduction

This appendix discusses setting up a serial communications link using modems between a personal computer running GE Intelligent Platforms Logicmaster PLC programming software and a Series 90 PLC. For general modem information, such as modems recommended by GE Intelligent Platforms, and example applications, please see Appendix I.

The following main topics are covered in this chapter:

- Setting PLC CPU Communications Parameters in Logicmaster
- Using the Logicmaster Auto-Dialer Utility
- Using Windows HyperTerminal Communications Utility

Setting PLC CPU Communications Parameters in Logicismaster

1. On LM90 Rack Configuration screen, zoom into the CPU by placing the cursor on it and pressing F10. The main CPU configuration screen will appear, as shown next:

```

RACK 1 | 2 | 3 | 4 | 5 | 6 | 7 | 8 | 9 | 10
cpu

>
SERIES 90-30 MODULE IN RACK 0 SLOT 1
SOFTWARE CONFIGURATION
-----
SLOT 1 Catalog #: IC693CPU331 SERIES 90-30 CPU, MODEL 331
CPU331
-----
IOScan-Stop: NO      Baud Rate : 19200
Pur Up Mode: LAST   Parity    : ODD
Logic/Cfg  : RAM    Stop Bits : 1
Registers  : RAM    Modem TT  : 0      1/100 Second / Count
Passwords  : ENABLED Idle Time  : 10      Seconds

Chksum Wrds: 8      Sweep Mode : NORMAL
Tmr Faults : DISABLED Sweep Tmr  : N/A      msec

OFFLINE
C:\LM90\LESSON7 PRG: LESSON7 CONFIG VALID
REPLACE
  
```

2. If using a CPU that has ports in addition to the Standard SNP port, decide which serial port you will use. The main LM90 CPU configuration screen shown above has settings for the Standard SNP port that is accessed through the connector on the PLC power supply in Rack 0. In the case of CPUs that have two additional serial ports, these have their own screen for setting communications parameters. This additional screen can be accessed by pressing the Page Down key from the main CPU configuration screen. The configuration screen for the extra ports on a CPU352 are shown in the next example screen:

```

RACK 1 | 2 | 3 | 4 | 5 | 6 | 7 | 8 | 9 | 10
cpu

>
SERIES 90-30 MODULE IN RACK 0 SLOT 1
SOFTWARE CONFIGURATION
-----
SLOT 1 Catalog #: IC693CPU352 SERIES 90-30 CPU, MODEL 352
CPU352
-----
Port 1 Mode: SNP      Port 2 Mode: SNP
SNP Mode   : SLAVE   SNP Mode   : SLAVE
Data Rate  : 19200   Data Rate  : 19200
Flow Contrl: NONE    Flow Contrl: NONE
Parity     : ODD     Parity     : ODD
Stop Bits  : 1       Stop Bits  : 1
Timeout    : LONG    Timeout    : LONG
TurnA Delay: 0       TurnA Delay: 0
SNP ID     :         SNP ID     :

<< More Config Data Exists: PgDn for Next Page, PgUp for Previous Page >>

OFFLINE
C:\LM90\LESSON7 PRG: LESSON7 CONFIG VALID
REPLACE
  
```

-
3. On the applicable screen for the port you will be using, enter/choose the following:
 - Data Rate 9600
 - Parity: None
 - Stop Bits: 1
 - Modem Turnaround Time: 2 (this is a starting value – sometimes a higher value will be needed).
 4. Save the CPU configuration and download it to the PLC.

Using Logicmaster's Auto-Dialer Utility

Logicmaster 90-30/20/Micro software has a modem auto-dial feature that can be accessed from the Logicmaster main menu by selecting Logicmaster 90 **Utilities (F7)**.

Note

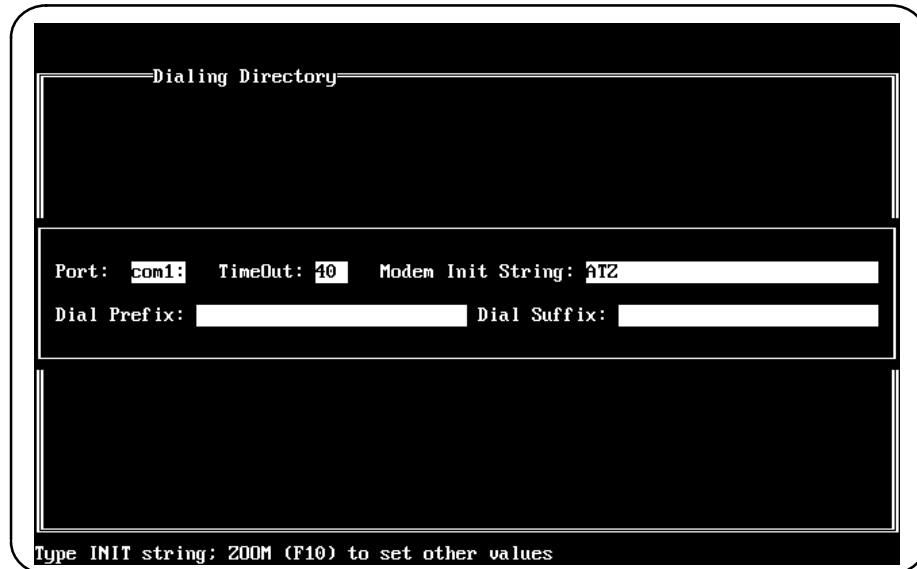
The Logicmaster 90-30/20/Micro modem auto dial feature only supports serial ports COM1 and COM2.



1. Press **F8** to select the modem auto dial feature.



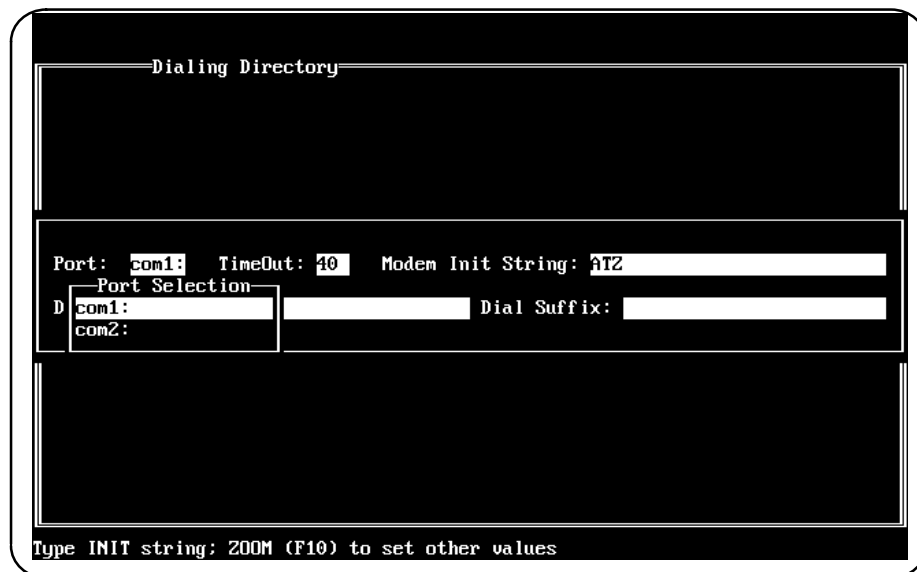
2. To set the modem parameters, move the cursor to **Setup** and press the **Enter** key.



- A. Complete the fields on the screen displayed, using the Enter key to move among the fields and the right/left cursor keys to move within each field. Press **Zoom (F10)** to display other values, as shown in the following screen.

Note

You can add any non-numerical characters that your modem accepts for the dial prefix or suffix, e.g., commas to add pauses (particularly useful when trying to connect to a number in a different country). See your modem user's manual for acceptable non-numerical characters.



- B. Press the **Enter** key to select a parameter for each field. When all the fields are complete, press the **Escape** key.

3. To edit an entry or enter a new listing in the directory, move the cursor to **Edit** and press the **Enter** key.



- A. Highlight the entry you wish to edit, or select: **< add new entry >** and press the **Enter** key to add a new listing.
- B. Complete the fields on the screen displayed, using the **Enter** key to move among the fields and the right/left cursor keys to move within each field. Press **Zoom (F10)** to display the choices for each parameter, cursor to one of the choices, and then press **F10** again or the **Enter** key to select the parameter. When all the fields are complete, press the **Escape** key.
4. To dial a number, press the **Enter** key with the cursor on **Dial**. Use the cursor keys to select an entry, and then press the **Enter** key to dial the number.
5. Move the cursor to **Hangup** and press the **Enter** key to abort the call and hang up the modem.
6. To exit the modem, cursor to **Quit** and press the **Enter** key, or press **ALT-F8**.

Note

All computers with modems or add-in card or PCMCIA slot modems include communications software. You may choose to use one of these packages to dial and connect Logicmaster to a remote PLC, especially if you are using COM3 or COM4. If you use other communications software, set up the modem to stay connected (i.e., NOT to hang up the line) when exiting the software (so that you can start Logicmaster). Usually, this means forcing DTR high or telling the modem to ignore DTR.

After exiting Logicmaster, you must re-enter the modem software package to send a command, such as the command to hang up the line.

Using Windows® HyperTerminal

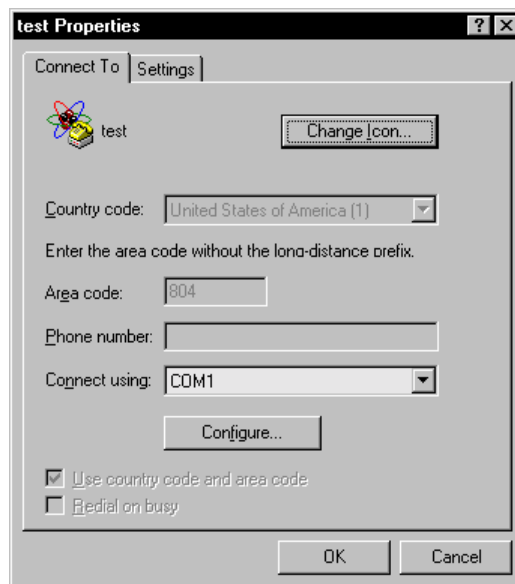
This section is for users who want or need to establish modem communications using the Windows HyperTerminal utility rather than Logicmaster's Auto-Dialer Utility. Besides the issue of personal preference, you may need to use ports not supported by the Logicmaster Auto-Dialer utility, which only supports ports Com1 and Com2. HyperTerminal supports all Com ports.

If you use HyperTerminal, the modem functions (dialing, hanging up) are executed independently of the PLC programming software. Once the modems are connected to each other, the PLC programming software will essentially communicate as if it were connected directly to the PLC.

Note

This approach MAY NOT WORK for PCMCIA modems.

1. In Windows 95, HyperTerminal is located under the START menu... PROGRAMS... ACCESSORIES... HYPERTERMINAL. (In Windows 98, HyperTerminal is under ACCESSORIES... COMMUNICATIONS...) In HyperTerminal, enter a name for the connection. Naming and saving your settings (in a file) lets you open the file and use the saved settings in future sessions. In the Test Properties dialog box for the connection, next to CONNECT USING, choose the com port that the modem is connected (or mapped) to, as shown in the next figure. Make sure you select a physical com port and not a port that has the name of a modem.

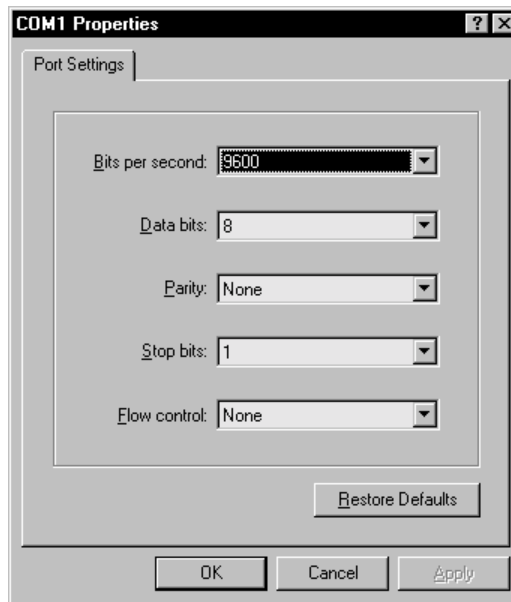


2. Click on the CONFIGURE button to configure the communications parameters. Set the baud rate to 9600, data bits to 8, parity to none, stop bits to 1, and flow control to none. Click OK to accept the parameters.

® Windows is a registered trademark of Microsoft Corporation

Note

Modems auto-baud to the settings of the DTE when in command mode. This means that any port settings will work to configure the modem and dial it. However, when the modem is in data mode (connected to another modem), the modem may not respond to the escape sequence unless it is sent at the same baud rate the modem is using.



3. In HyperTerminal, test the connection to the modem by typing AT and hitting ENTER. The modem should respond with "OK". To dial the modem, type ATDT# (where # is the phone number of the remote modem) and wait for the connection response (ex. CONNECT 9600).
4. Set up the PLC programmer to communicate at the desired port settings, but assume a standard serial port connection, not a modem connection, using the desired port setup parameters. The port setup in the CCU will not have an associated modem, but will have a modem turnaround time.
5. To hang up, first disconnect the PLC programmer connection (this will free up the comm port for use with HyperTerminal). Then connect to the modem with HyperTerminal. While connected, wait at least 1 second, then hit 3 plus signs (+++), and one second later, the modem should respond with an "OK". Now ATH, the hang-up command, may be entered. The modem should respond "OK" again.

Note

The HyperTerminal connection must be set to the same baud rate that the modem is currently using. If not, the escape sequence will not be recognized.

Introduction

This appendix discusses setting up a serial communications link, using modems, between a personal computer running GE Intelligent Platforms VersaPro (Series 90–30 only) or Control PLC programming software and a Series 90 PLC. For general modem information such as modems recommended by GE Intelligent Platforms, and example applications, please see Appendix I.

Note

Although the PLC programming/configuration screen examples shown in this appendix use VersaPro screen captures, the information generally applies to Control as well, since both programs use the Communications Configuration Utility (CCU).

Contents of this Appendix

PLC CPU Configuration

Installing the Modem in Windows®*

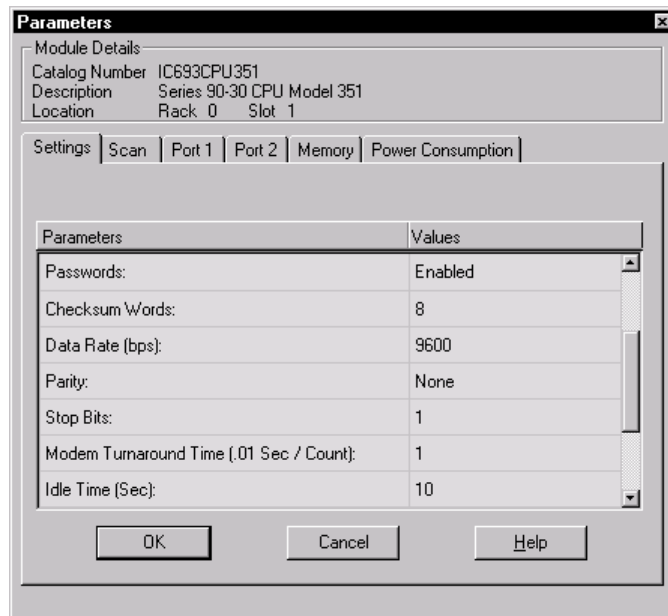
Setting Up the Communications Configuration Utility (CCU)

Connecting to the PLC

Using Windows HyperTerminal to Establish Connection

PLC CPU Configuration

1. On the programming software's hardware configuration screen, choose the desired PLC CPU type. An IC693CPU351 is shown in the example below.
2. Select the tab for the serial port you wish to use. The Settings tab, shown in the figure below, applies to the Standard SNP port that is accessed through the connector on the PLC power supply in Rack 0. In the case of CPUs 351, 352, and 363, two additional serial ports are available. As shown in the figure below, the two additional ports, Port 1 and Port 2, each have their own tab for configuring communications parameters.
3. In the applicable tab for the port you will be using, enter the desired Data Rate (9600 baud typically), Parity: None, Stop Bits: 1, and Modem Turnaround Time: 1 (this is a starting value – sometimes a value of 2 or 3 will be better), as shown in the example below.



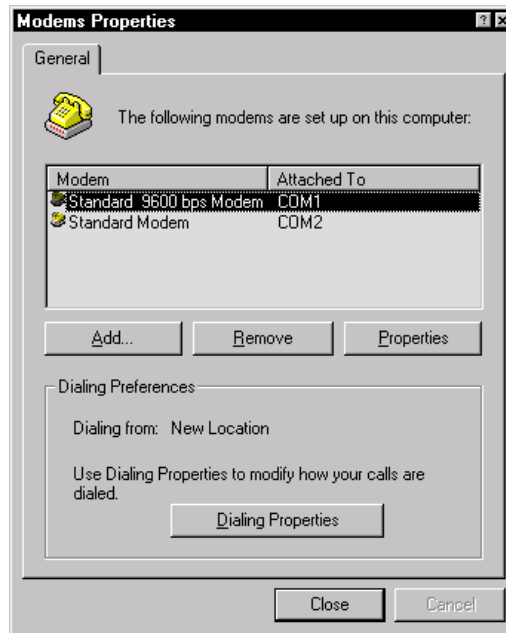
4. Save the CPU configuration and download it to the PLC.

Installing a Modem in Windows

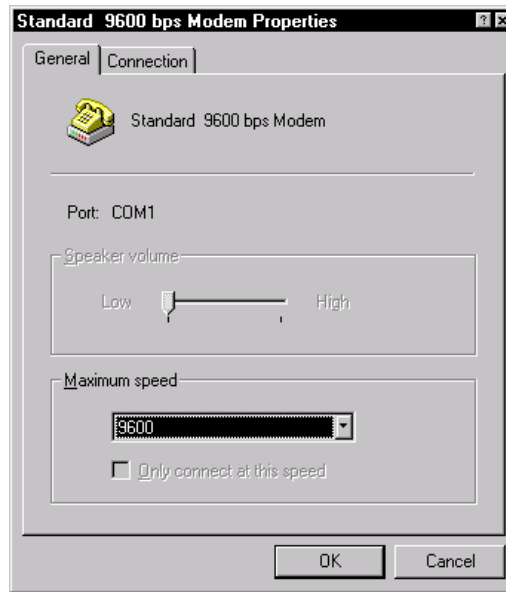
1. Under the START menu, SETTINGS, and CONTROL PANEL, choose the MODEMS icon. Click on the ADD button and install a standard modem (typically 9600). The Standard Modem uses a generic communications and configuration driver.

Note

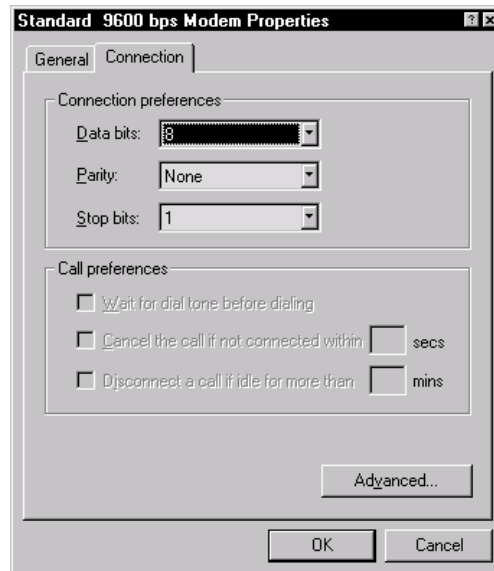
If, for some reason, a Standard Modem cannot be added (which may typically be the case for PCMCIA modems because of the tight integration with Windows) then follow these instructions below, paying close attention to the notes that start with “***”. A modem that is not a Standard Modem will have a name that corresponds to the make and model of the actual modem being used. Because the Windows communications strategy uses TAPI (Telephone Application Program Interface), a non-generic driver will re-configure the modem and essentially ruin any user-edited parameters in the modem upon dialing.



2. With the standard modem selected, click on the PROPERTIES button. Under the MAXIMUM SPEED for that modem, choose 9600 (or other desired baud rate) if it is not already selected.



3. Under the CONNECTION tab, the Data bits should be 8, Parity should be NONE, and Stop bits should be 1.

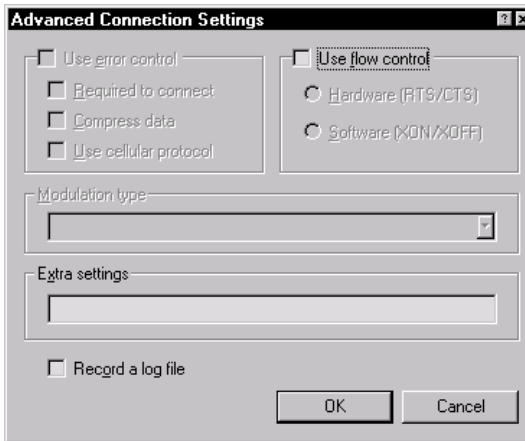


4. Click on the ADVANCED button, and de-select the FLOW CONTROL checkbox.

***If the modem is not a Standard Modem, the USE ERROR CONTROL checkbox may be checked. Uncheck it. The EXTRA SETTINGS textbox needs to be populated with the AT commands from the modem configuration settings documentation provided (either from faxlink or the web). The AT commands can be put on a single line by putting the AT first and appending all commands to it on the same line. For example:

AT&F0&A1&B0&D0&H0&I0&K0&M0&N6&R1.

The Z, S0=1, and &W do not need to be used because they reset the modem, set it to answer on one ring, and write to the NVRAM in the modem, respectively.



5. Keep clicking OK until you get out of the modem control panel.

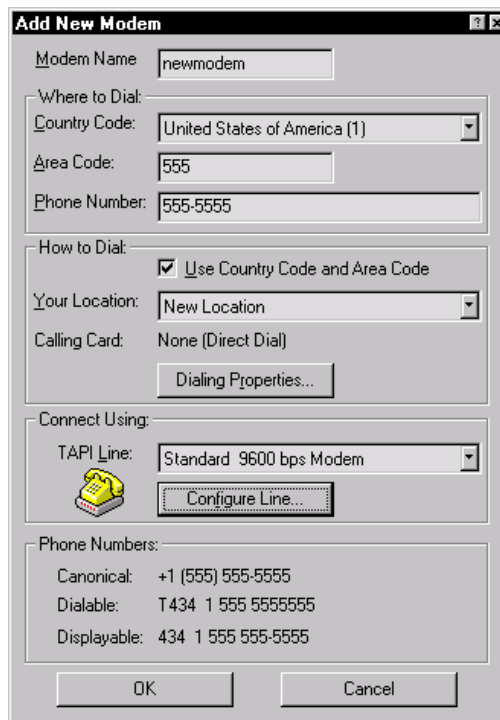
Setting Up the Communications Configuration Utility (CCU)

Notes About The CCU

1. The default password for the CCU is “netutil”. If the password has been changed, see note 4 for details.
2. Do not use the same name for a modem, port, and device in the CCU. That will cause problems when saving the information to the initialization file.
3. The file that contains the CCU setup information is called “GEF_CFG.INI”. It is a standard Windows .INI file and can be edited using Notepad or another text editor. The file is stored in the default Windows directory (for NT...C:\WINNT, for 95...C:\WINDOWS)
4. If the password has been changed and needs to be cleared back to the “netutil” default, open the GEF_CFG.INI file in Notepad. At or near the bottom there should be a section called “[Global_Parameters].” Below that section name should be a line (or key) that says “PASSWORD=XXXXXXXX” where XXXXXXXX is a bunch of garbage characters (the encrypted non-default password). Deleting the password and garbage characters will clear the password back to its default of “netutil”.

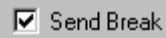
CCU Setup Procedure

1. Under the TOOLS menu select COMMUNICATIONS SETUP. Enter your password (default is “netutil”). Once in the CCU, click on the MODEMS tab. Click NEW to add a new modem to the list. The Add New Modem dialog box will appear, as shown next:



2. Give the modem a name and enter the area code and phone number. Click OK to accept the modem. **Do NOT click on the “Configure Line...” button because ANY CHANGES MADE WILL NOT BE SAVED!** There is no fix planned for this problem.

After a modem has been created and the OK button on the above window is clicked, there will be a “Send Break” checkbox visible in the Selected Modem Parameter Settings.

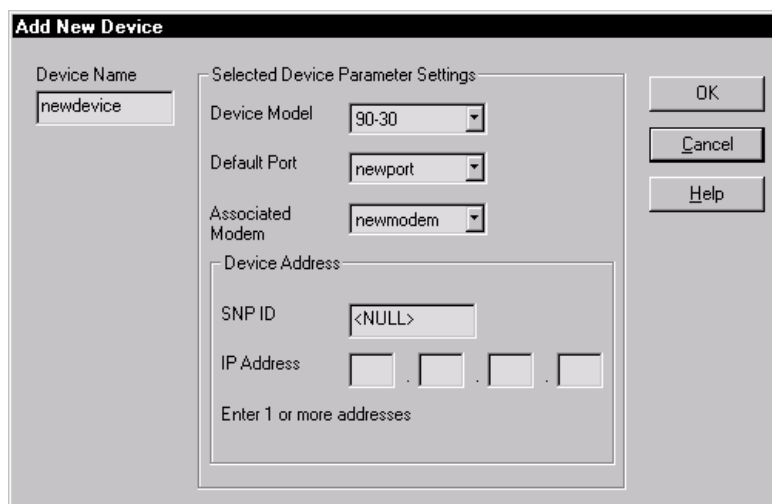


If this box is checked, then the programmer will send the break signal to the remote PLC. If the remote CPU has break-free SNP, this box does not need to be checked. See Chapter 3 for information about break-free SNP.

- In the CCU, click on the PORTS tab. Click NEW to add a new port to the list.

- Enter in the name of the port
- Next to TYPE, select SNP_SERIAL
- Next to PHYSICAL PORT, select the desired COM port for the modem on your computer
- Set the PORT SETTINGS to be equal with those that were configured for the PLC CPU
- Select the ASSOCIATED MODEM that was created in step 1.
- Click on the ADVANCED button
- Next to CONNECT TIMEOUT, enter a value (in milliseconds) of approximately 40000 (40 seconds). This time may be longer or shorter depending on how long it takes for the modem to establish communications.

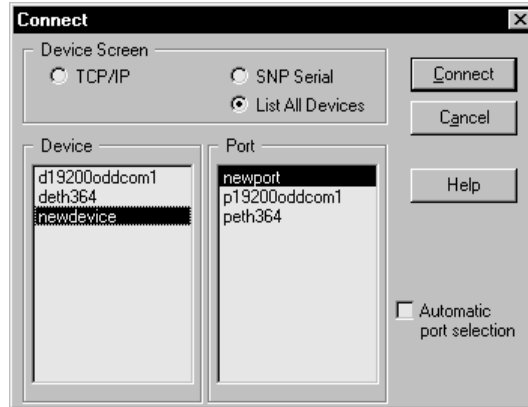
11. if the communications lines between the PLC and programmer are of very poor quality, you may avoid possible future communications problems by configuring the following settings:
 - REQUEST TIMEOUT to 10000
 - SNP_T3 to 10250
 - SNP_T3P to 10500
 - SNP_T3PP to 10750
 - If the baud rate being used is approaching 2400 and below, set the SNP_T3 to 10500, the SNP_T3P to 11000, and the SNP_T3PP to 11500.
12. Click OK to accept the port.
13. In the CCU, click on the DEVICES tab. Click NEW to add a new device to the list.



14. Under DEVICE NAME, type in the desired name for the device
15. Next to DEVICE MODEL, select from the list the type of CPU to communicate with
16. Next to DEFAULT PORT, select from the list the port that was created in step 2
17. Next to ASSOCIATED MODEM, select the modem that was created in step 1 from the list
18. Click OK to accept the device
19. Click OK in the CCU to accept the configuration changes.

Connecting to the PLC

1. Under the PLC menu, select CONNECT.



2. If not already selected, select the DEVICE and PORT that are configured for the modem. Click on CONNECT to initiate communications. The modem will dial and communications will be initialized.

A common problem reported by a number of users is that the modem hangs up approximately 10 seconds after the connect button has been pressed. This is usually because the connect time-out setting, explained in an earlier section of this appendix, has not been changed from the default.

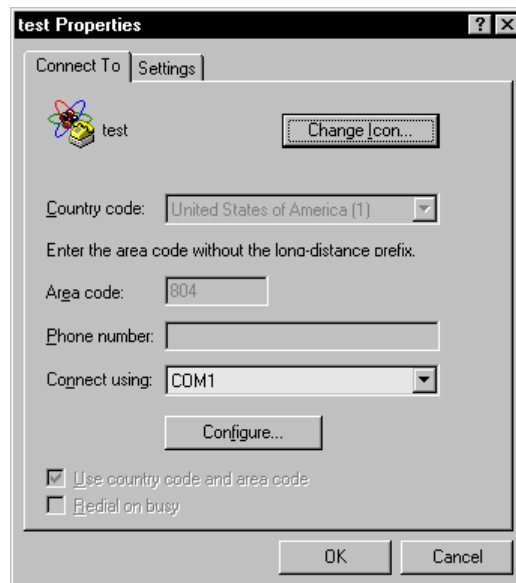
Using HyperTerminal to Establish Connection

If the modem will not dial or connect using the built-in communications, the Windows 95 HyperTerminal utility may be used as a backup. The theory behind using HyperTerminal is that the modem functions (dialing, hanging up) are executed independently of the PLC programming software. Once the modems are connected to each other, the PLC programming software will essentially communicate as if it were connected directly to the PLC.

Note

This approach MAY NOT WORK for PCMCIA modems.

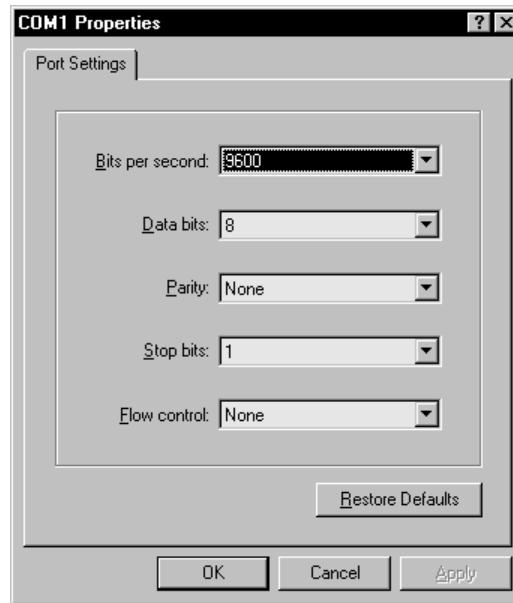
1. HyperTerminal is located under the START menu... PROGRAMS... ACCESSORIES... HYPERTERMINAL. (In WIN98, HyperTerminal is under ACCESSORIES... COMMUNICATIONS...) In HyperTerminal, enter a name for the connection. Naming and saving the connection makes it easier to re-connect in the future. In the Test Properties dialog box for the connection, next to CONNECT USING, choose the com port that the modem is connected (or mapped) to, as shown in the next figure. Make sure you select a physical com and not a port that has the name of a modem.



2. Click on the CONFIGURE button to configure the communications parameters. Set the baud rate to 9600 (or other desired baud rate), data bits to 8, parity to none, stop bits to 1, and flow control to none. Click OK to accept the parameters.

Note

Modems auto-baud to the settings of the DTE when in command mode. This means that any port settings will work to configure the modem and dial it. However, when the modem is in data mode (connected to another modem), the modem may not respond to the escape sequence unless it is sent at the same baud rate the modem is using.



3. In HyperTerminal, test the connection to the modem by typing AT and hitting ENTER. The modem should respond with "OK". To dial the modem, type ATDT# (where # is the phone number of the remote modem) and wait for the connection response (ex. CONNECT 9600).
4. Set up the PLC programmer to communicate at the desired port settings, but assume a standard serial port connection, not a modem connection, using the desired port setup parameters. The port setup in the CCU will not have an associated modem, but will have a modem turnaround time.
5. To hang up, first disconnect the PLC programmer connection (this will free up the comm port for use with HyperTerminal). Then connect to the modem with HyperTerminal. While connected, wait at least 1 second, then hit 3 plus signs (+++), and one second later, the modem should respond with an "OK". Now ATH, the hang-up command, may be entered. The modem should respond "OK" again.

Note

The HyperTerminal connection must be set to the same baud rate that the modem is currently using. If not, the escape sequence will not be recognized.

Getting Additional Help and Information

There are several ways to get additional help and information:

GE Intelligent Platforms Web Site

There is a large amount of information on the Technical Support section of the GE Intelligent Platforms Web site. Sections such as Technical Documentation, Application Notes, Revision Histories, Frequently Asked Questions, and Field Service Bulletins may have the exact information you need. You can access this site at:

www.ge-ip.com

Specific information on modems can be found at:

<http://www.ge-ip.com/support>

GE Intelligent Platforms Fax Link System

This system lets you choose technical help documents to be sent to you on your fax machine. To use this system follow these steps:

- Call Fax Link at (804) 978-5824 on a touch tone type phone (rotary dial phones will not work for this application).
- Follow the instructions to have a master list (called "Document 1") of Fax Link documents Faxed to you. A master Fax Link list is also available on the GE Intelligent Platforms Web site in the Technical Support section (see the "GE Intelligent Platforms Web Site" section above).
- Select desired document(s) from the master list, then call Fax Link and specify the document number(s) you want to be faxed to you. Up to three documents can be ordered per call.

GE Intelligent Platforms Telephone Numbers

If you need to speak with a GE Intelligent Platforms technical help person, use the applicable telephone number from the following list.

Location	Telephone Number
North America, Canada, Mexico (Technical Support Hotline)	Toll Free: 1-800-433-2682 Direct Dial: 1-780-420-2010
Latin America (for Mexico, see above)	Direct Dial: 804 978-6036
France, Germany, Luxembourg, Switzerland, and United Kingdom	Toll Free: 00800 433 268 23
Italy	Toll Free: 16 77 80 596
Other European Countries	+352-26-722-780
Asia / Pacific - Singapore	+86-21-3217-4826
India	91 80 552 0107

Series 90 Product Repair

The Series 90 products are, for the most part, not considered to be field-repairable. (The one major exception are the few products such as certain output modules, power supplies, and a few option modules that have replaceable fuses.)

GE Intelligent Platforms offers repair and product warranty services through your local distributor. Contact your distributor for details.

Modem Support

Modem manufacturers such as 3Com® (makers of US Robotics modems), Motorola, Boca Research, and DATA LINC have web sites where you can find resources such as downloadable manuals and upgrades, answers to Frequently Asked Questions, application notes, and modem cable diagrams.

EIA Standards

The Electronic Industries Alliance (formerly called Electronic Industries Association) publishes communication standards such as the EIA-232 (RS-232) and EIA-485 (RS-485) interface standards. Their web site can be found at:

<http://www.eia.org>

The material in this appendix is based upon information in the *Series 90 Micro PLC User's Manual*, GFK-1065 (version F or later).

Serial Ports

Port 1 on the Micro PLC is intended to be used as the programmer serial port. A second RS-422 compatible serial port, to be used by monitoring devices, is provided on 23 and 28-point Micro PLCs.

Serial Communications Protocols

Table M-1. Communication Protocols Supported

Micro PLCs	SNP/SNPX Slave	SNP/SNPX Master*	4-Wire RTU Slave*	2-Wire RTU Slave*
14-point	Port 1 All releases	not supported	Port 1 Rel. 3.00 and later	Port 1 Rel. 3.10 and later
23-point	Ports 1 and 2, Rel. 3.00 and later	Port 2 Rel. 3.00 and later	Port 2 Rel. 3.00 and later	Port 2 Rel. 3.10 and later
28-point	Ports 1 and 2, Rel. 2.01 and later	Port 2 Rel. 3.00 and later	Port 2 Rel. 3.00 and later	Port 2 Rel. 3.10 and later

*Also requires the following versions or later hardware: IC693UDR001LP1, IC693UDR002LP1, IC693UAA003JP1, IC693UDR005JP1, IC693UAL006BP1, IC693UAA007HP1, and IC693UDR010BP1.

SNP/SNPX Protocols

The full set of SNP(X) Master commands, as described earlier in this manual in “SNP-X Commands,” is supported on Port 2 of the 23- and 28-point Micro PLCs.

RTU Slave Protocol

This protocol is described in Chapter 7. RTU as implemented in the Micro PLC is a subset of the Modbus™ Remote Terminal Unit serial communications protocol. Prior to Release 3.10, RTU protocol is only supported in the 4-wire implementation. Support for 2-Wire RTU was added in Release 3.10. Table 1-5 lists the function codes supported by the Micro PLC.

Table M-2. RTU Function Codes

Function Code	Description
1	Read Output Table
2	Read Input Table
3	Read Registers
4	Read Analog Input
5	Force (Write) Single Output
6	Preset Single Register
7	Read Exception Status
8	Loopback Maintenance
15	Force (Write) Multiple Outputs
16	Preset Multiple Registers
17	Report Device Type
67	Read Scratch Pad Memory

For the 14 point unit, an additional feature is implemented that automatically detects whether the configuration/programming software is attached to the Micro PLC. The firmware will auto-detect the presence of the programmer when RTU is the active protocol, so that you only need to begin using the configuration/programming software for a 14 point Micro to be able to communicate with it.

Port 1 (All Models)

A 15-pin D-type, female connector on the front of the Micro PLC provides the connection to an RS-422 compatible serial port which is used to communicate with Logiquest 90-30/20/Micro software, the HHP, or for general purpose communications. This port supports SNP and SNPX protocols. On 14-point Micro PLCs, this port also supports RTU Slave protocols. The RS-422 connector is protected by an access door. This port can be configured using the Logiquest 90 configuration program or the HHP, except for RTU communications, which must be configured by a COMM_REQ function in ladder logic.

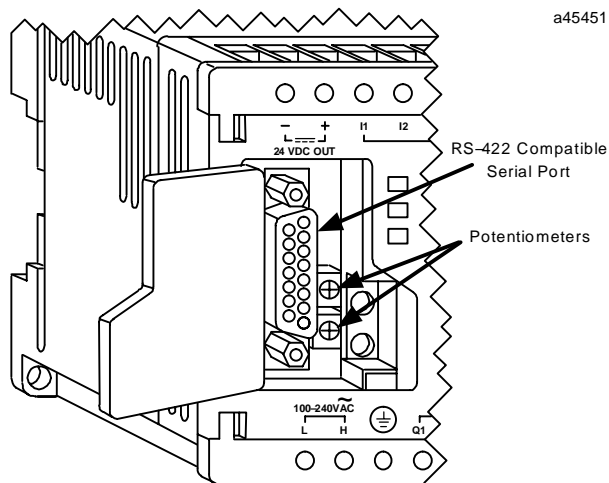


Figure M-1. Micro PLC RS-422 Serial Port

Port 2 (23 and 28–Point Models)

A second RS–422 compatible serial port, also protected by an access door, is provided on 23 and 28–point Micro PLCs. This port can be used for general purpose communications using SNP, SNPX, and RTU Slave protocol. Serial Port 2 can also be configured as an SNP/SNPX Master port. The following programming/configuration software features are supported through Port 2 when there is no programmer connected to Port 1:

1. The status line correctly displays current information about the PLC. If the proper folder is selected and verified, the status line will show LOGIC EQUAL.
2. You can view any of the reference memories on the TABLES page in Logicmaster 90 and can change individual values.
3. When ONLINE and LOGIC EQUAL are displayed in the status line, the references will be displayed correctly when you view the program logic.
4. You can set the privilege level to 1 or 2. (Privilege levels 3 and 4 can not be accessed.)
5. The PLC and IO fault tables are displayed.
6. The Time–Of–Day clock can be set and its current value displayed.
7. The RUN/STOP state of the PLC can be changed, either by pressing **ALT+R** or using the PLCRUN screen.

It is not possible to load and store programs and configuration through Port 2, because the privilege level is restricted to level 2 by the PLC firmware. Autobaud is not supported on Port 2. Port 2 can be configured using the Logicmaster 90 configuration software or by a COMM_REQ function block within a ladder logic program (see “Configuring Serial Ports” in Chapter 5).

On release 3.0 and later 28–point Micro PLCs, a separate SNP ID for Port 2 can be configured using Logicmaster 90 software release 8.00 or later. On earlier releases, Port 2 shares the SNP ID with Port 1 and the SNP ID can only be changed through Port 1. (For more information about the SNP ID, refer to “Selecting SNP Connections” and “CPU Configuration” in the *Logicmaster Series 90–30/20/Micro Programming Software Users Manual*, GFK–0466.)

Communication through Port 2 may be lost (host may time out) while operations that involve writing to flash memory, including storing the program, are being performed through Port 1.

Note: This product is no longer available. It has been replaced by catalog number IC690ACC903 (see Appendix G for details). This information is for reference by those already using this product.

This section describes how to use the Isolated Repeater/Converter. The section covers the following topics:

- Description of the Isolated Repeater/Converter
- System Configurations
- Cable Diagrams

To purchase this unit, please contact your local authorized GE Intelligent Platforms distributor or GE Intelligent Platforms sales representative.

Note

The catalog number for the Isolated Repeater/Converter was previously IC630CCM390.

Description of the Isolated Repeater/Converter

The Isolated Repeater/Converter (IC655CCM590) can be used for the following purposes:

- To provide ground isolation where a common ground cannot be established between components.
- To boost RS-422 signals for greater distance and more drops.
- To convert signals from RS-232 to RS-422 or RS-422 to RS-232.

The figure below shows the appearance of the unit and the location of the user elements:

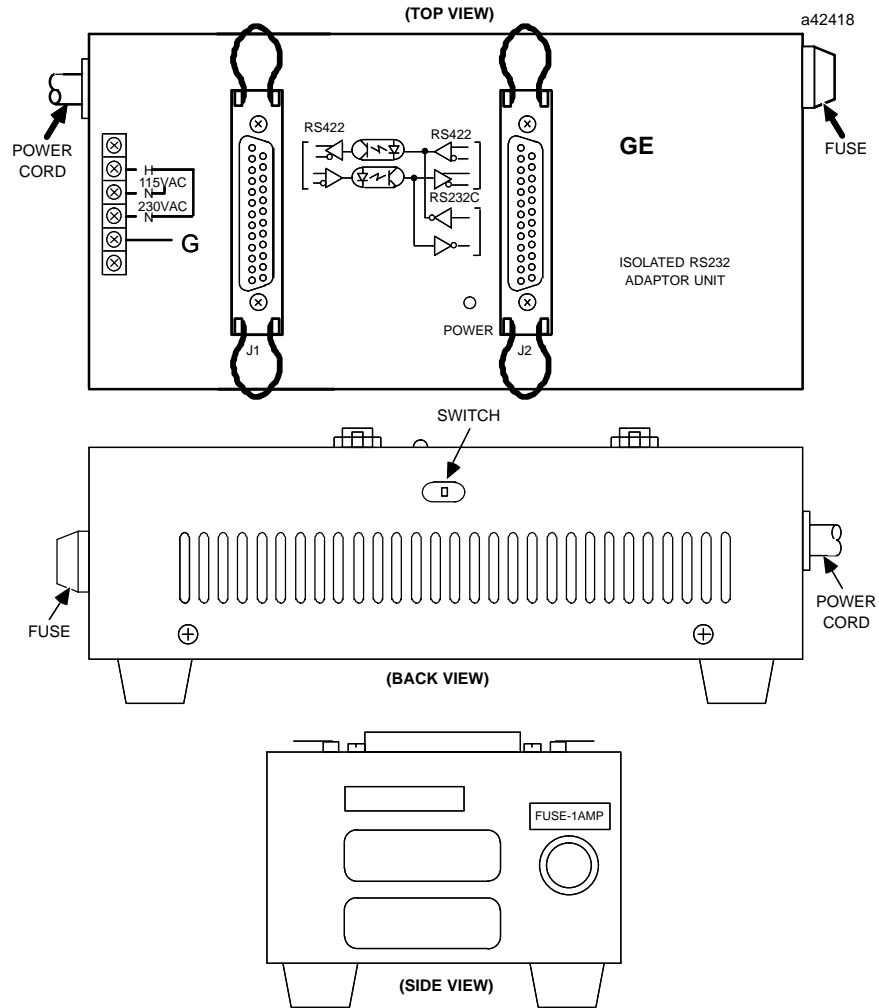


Figure N-1. The Isolated/Repeater Converter

The user elements of the Isolated Repeater/Converter are described below:

- Two 25-pin female D-type connectors.
(Two 25-pin male, D-type connectors (solder pot), are included for user cabling.)
- 115/230 Vac power connection (internal) 4-position terminal block.
- Fused 1 Amp power protection.
- Power ON (green) indicator LED.
- Three-position toggle switch, recessed in the back of the unit, is set according to *System Configurations* later in this section.

Logic Diagram of the Isolated Repeater/Converter

The figure below provides a functional look at the unit. Note the 3-position switch for controlling the J1 port transmitters. This switch will be discussed in *System Configurations* later in this section.

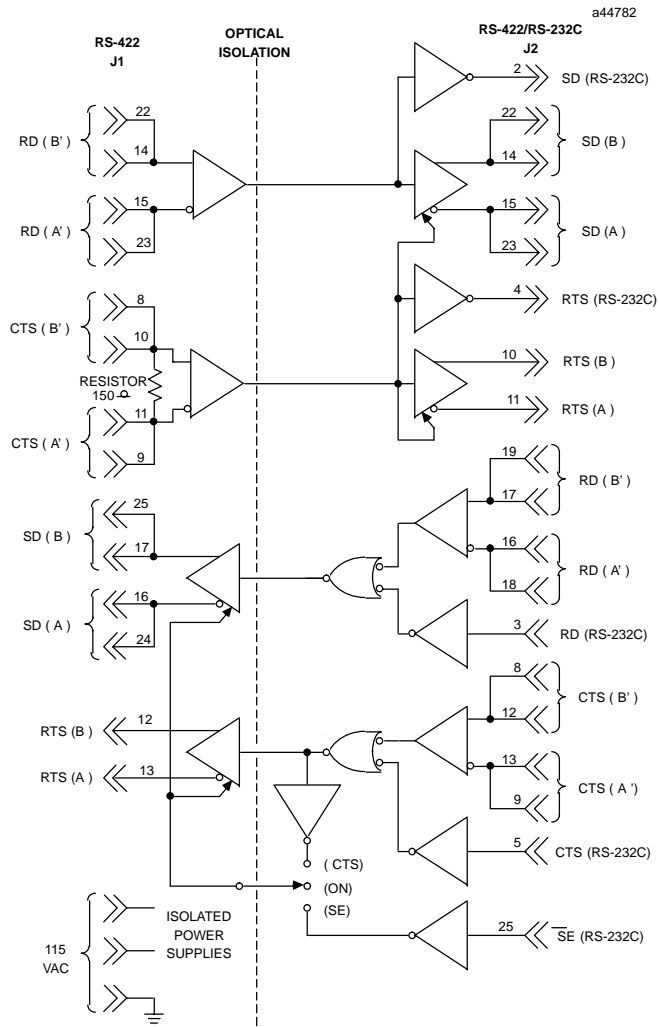


Figure N-2. RS-422 Isolated Repeater/RS-232 Converter Logic Diagram

Note

All inputs on the unit are biased to the inactive state. Inputs left unconnected will produce a binary 1 (OFF) state on the corresponding output.

Table N-1. Pin Assignments for the Isolated Repeater/Converter

J1 RS-422 Port (25-pin female connector)			J2 RS-422/RS-232 Port (25-pin female connector)		
1		NC	1		NC
2		NC	2	SD	Send Data (RS-232)
3		NC	3	RD	Receive Data (RS-232)
4		NC	4	RTS	Request to Send (RS-232)
5		NC	5	CTS	Clear to Send (RS-232)
6		NC	6		NC
7	0V	Ground Connection	7	0V	Ground Connection
8	CTS(B')	Clear to Send (Optional Termination)	8	CTS(B')	Clear to Send (Optional Termination)
9	CTS(A')	Clear to Send (Optional Termination)	9	CTS(A')	Clear to Send (Optional Termination)
10	CTS(B')	Clear to Send	10	RTS(B)	Request to Send
11	CTS(A')	Clear to Send	11	RTS(A)	Request to Send
12	RTS(B)	Request to Send	12	CTS(B')	Clear to Send
13	RTS(A)	Request to Send	13	CTS(A')	Clear to Send
14	RD(B')	Receive Data	14	SD(B)	Send Data
15	RD(A')	Receive Data	15	SD(A)	Send Data
16	SD(A)	Send Data	16	RD(A')	Receive Data
17	SD(B)	Send Data	17	RD(B')	Receive Data
18		NC	18	RD(A')	Receive Data (Optional Termination)
19		NC	19	RD(B')	Receive Data (Optional Termination)
20		NC	20		NC
21		NC	21		NC
22	RD(B')	Receive Data (Optional Termination)	22	SD(B)	Send Data
23	RD(A')	Receive Data (Optional Termination)	23	SD(A)	Send Data
24	SD(A)	Send Data	24		NC
25	SD(B)	Send Data	25	SE	Enable (RS-232C) Not Used

NC=No Connection

SD (Send Data) and RD (Receive Data) are the same as TXD and RXD (used in the Series Six™ PLC).

(A) and (B) are the same as – and +. A and B denote outputs, and A' and B' denote inputs.

Caution

The signal ground connections (pin 7 on each connector) must be made between the Isolated Repeater/Converter and the PLC for J1, and the Isolated Repeater/Converter and the host computer for J2.

Pin 7 of the J1 port is connected to the metal shell of the J1 connector. Pin 7 of the J2 port is connected to the metal shell of the J2 connector. These two signal ground connections are isolated from each other and are isolated from the power system ground (green wire on the terminal block). To maintain proper isolation, these signal grounds cannot be tied together.

System Configurations

The figures below show various ways you can connect the Isolated Repeater/Converter to convert signals, expand the number of drops, and obtain greater distance. Any system configuration can be reduced to a minimum number of cables each covering a part of the overall system configuration. The example system configurations below refer to these cables as Cables A-D shown in *Cable Diagrams* later in this section.

Downstream and Upstream Contention. In this section, simple multidrop configurations are those where a single Isolated Repeater/Converter is used. Complex multidrop configurations contain one or more multidrop sections where an Isolated Repeater/Converter is included as one of the drops. In both simple and complex multidrop configurations, the transmitters directed downstream from the master can be on at all times. There will be no contention for the communication line because only one device (the master) transmits downstream.

In simple multidrop configurations, there will be no contention when transmitting upstream as long as devices tri-state their drivers when idle and turn them on only when they have something to transmit. This is the case for the Series 90-70 and Series 90-30 CMMs.

In complex multidrop configurations, however, special steps must be taken to switch the upstream transmitters of the Isolated Repeater/Converter.

Switching Upstream Transmitters. For the RS-422 drivers to be active at the J2 port of the Isolated Repeater/Converter, the RTS input at J1 must be true. The state of the RS-422 drivers at the J1 port depends on the position of the switch on the unit. When the switch is in the center position, the J1 transmitters will always be turned on. When the switch is in the CTS position, (toward the power cable), then either the RS-232 or RS-422 CTS signal must be true to turn on the J1 drivers.

Note

Note the position of the switch on the Isolated/Repeater Converter in the system configurations below.

Simple Multidrop Configuration

This configuration shows how to connect a single Isolated Repeater/Converter for signal conversion or greater distance.

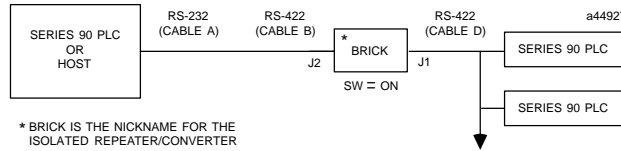


Figure N-3. Simple System Configuration Using the Isolated Repeater/Converter

Complex Multidrop Configuration

This configuration shows how to connect multiple Isolated Repeater/Converters for signal conversion, greater distance, and more drops.

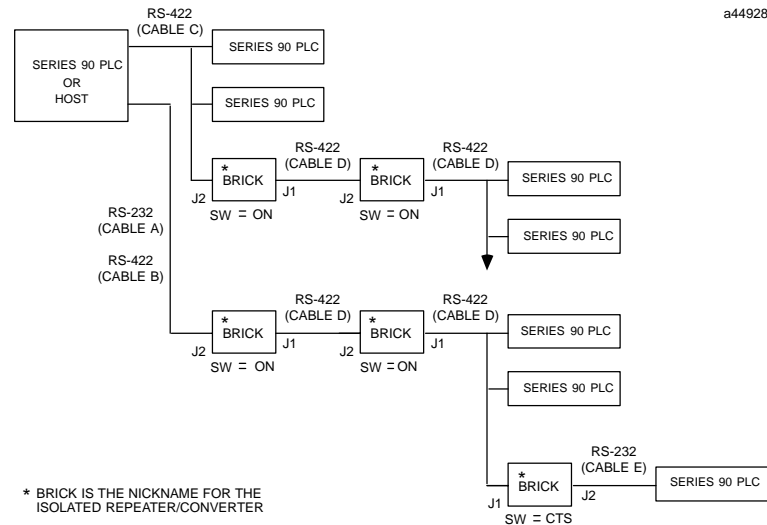


Figure N-4. Complex System Configuration Using Isolated Repeater/Converter

Rules for Using Repeater/Converters in Complex Networks

When designing a complex multidrop network including PLCs and RS-422 repeater/converters (bricks), the following rules apply:

Rule 1: When using a brick as a repeater, port J2 should always be directed toward the host device, and Port J1 should always be directed away from the host device. The switch located on the side of the brick should always be in the center position (ON). The only case in which Port J1 is directed toward the host is when the brick is used as a converter (RS-232) at the slave. The switch is in the right position (CTS).

Rule 2: If a Series 90 CMM slave device is located downstream of a brick, set the configuration of the CMM serial port to NONE flow control with a 10 ms Modem Turnaround Delay (Applies to CCM, SNP, and SNP-X protocols only).

Rule 3: Do not place more than 3 bricks in a single communication path between the host and the slave devices.

Cable Diagrams for IC655CMM590 Converter

The cable diagrams below are referred to as Cables A-D from the system configurations in the previous figures. These diagrams show the principles for constructing your own cables and can be modified to fit your specific application.

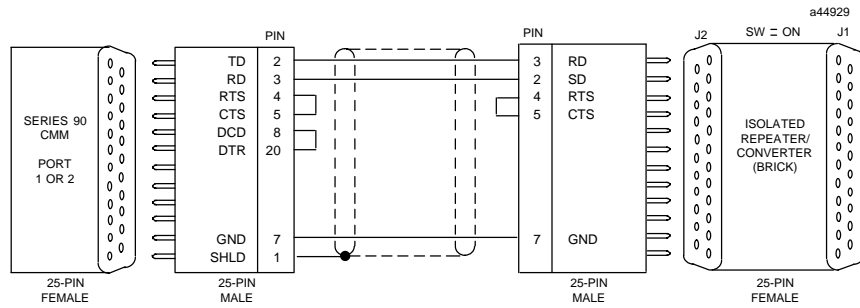
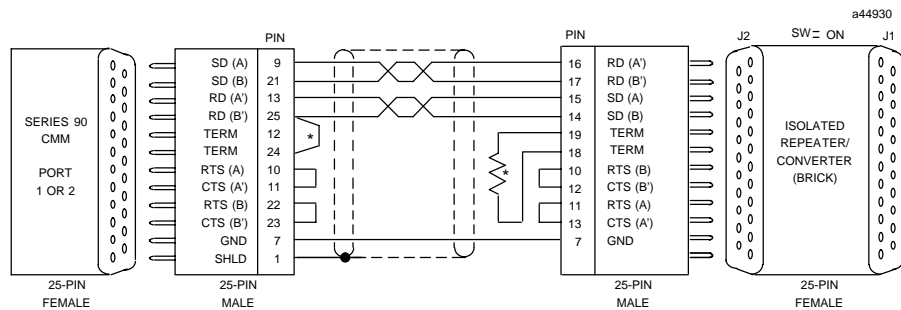


Figure N-5. Cable A; RS-232 CMM To Converter



* TERMINATE CONNECTION: ON THE CMM, INSTALL JUMPER TO CONNECT INTERNAL 120 OHM RESISTOR. ON THE ISOLATED REPEATER/CONVERTER, INSTALL 150 OHM RESISTOR (SUPPLIED).

Figure N-6. Cable B; RS-422 CMM To Converter

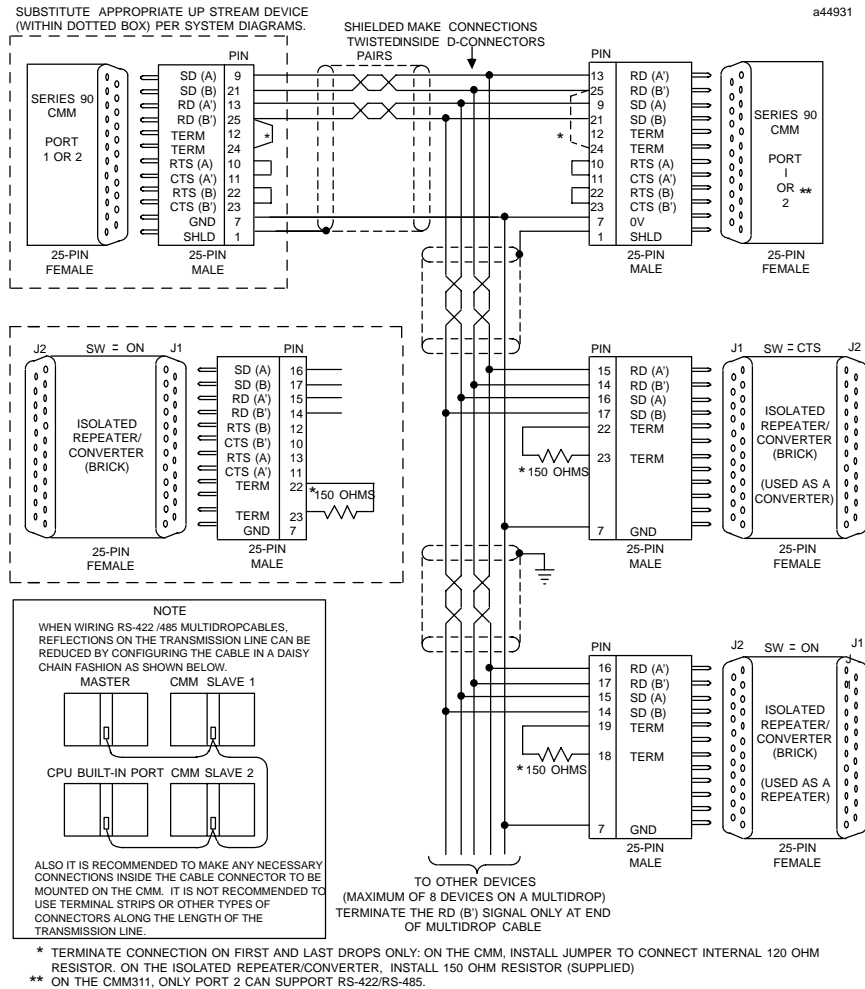


Figure N-7. Cable C; RS-422 Twisted Pair

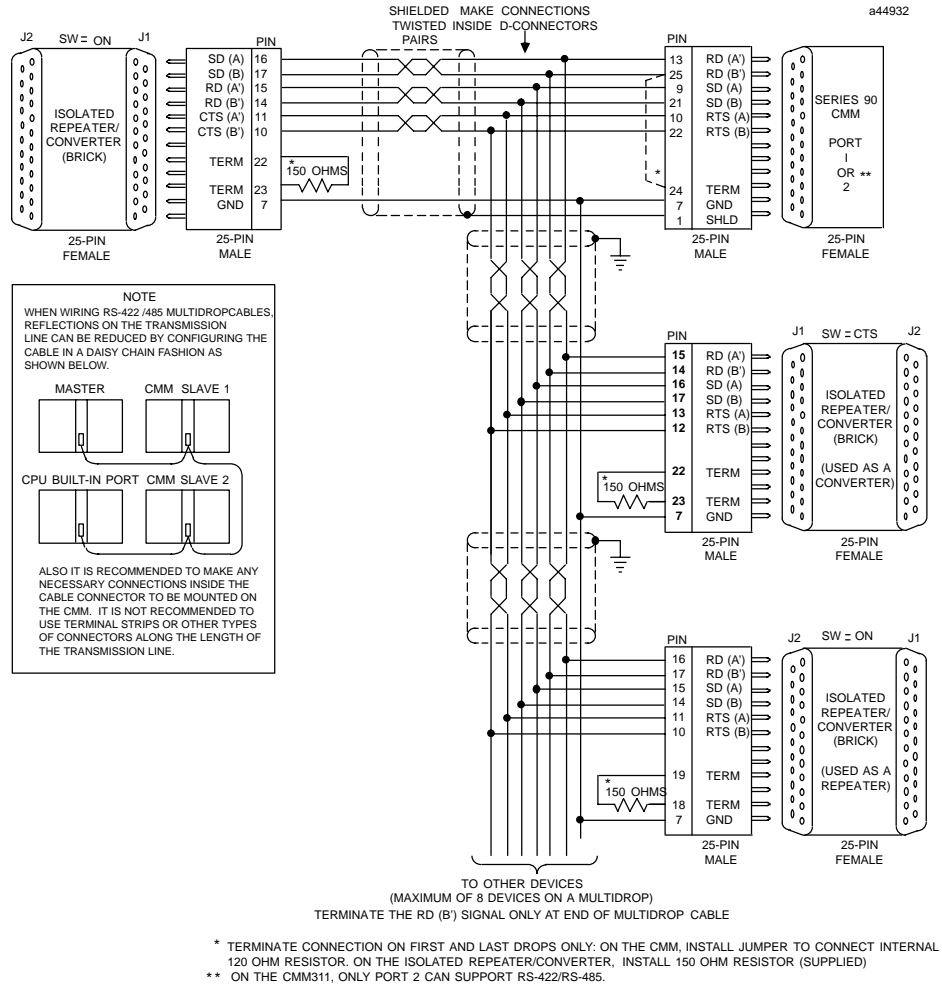


Figure N-8. Cable D; RS-422 Twisted Pair

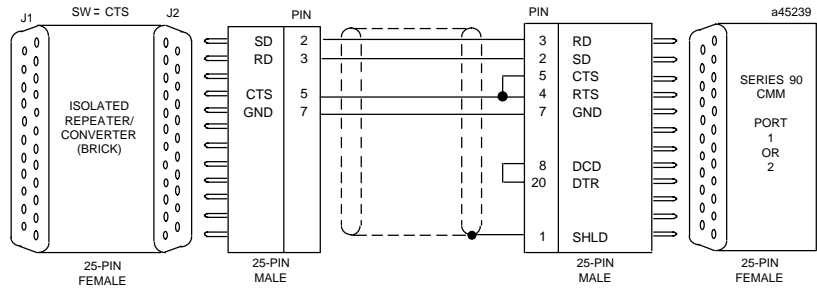


Figure N-9. Cable E; RS-232 Converter to CMM

Appendix O

IC690ACC901 Miniconverter and Cable Kit

This appendix describes how to use the RS-422 to RS-232 Miniconverter. The following topics are covered:

- Description of the Miniconverter
- System Configurations
- Cable Diagrams

Description of Miniconverter

The Miniconverter Kit (IC690ACC901) consists of an RS-422 (SNP) to RS-232 Miniconverter, a 6 foot (2 meter) serial extension cable, and a 9-pin to 25-pin Converter Plug assembly. The 15-pin SNP port connector on the Miniconverter plugs directly into the serial port connector on the Series 90-30 power supply, Series 90-70 CPU, Series 90-20 CPU, Series 90 Micro, or VersaMax. The 9-pin RS-232 port connector on the Miniconverter connects to an RS-232 compatible device.

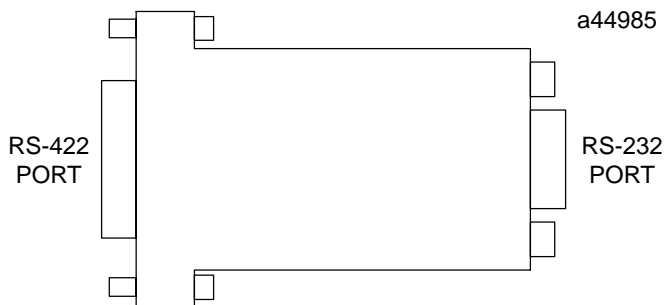


Figure O-1. Series 90 SNP to RS-232 Miniconverter

When used with an IBM PC-AT, or compatible computer, one end of the extension cable plugs into the Miniconverter's 9-pin serial port connector, the other end plugs into the 9-pin serial port of the computer. The Converter plug (supplied with kit) is required to convert the 9-pin serial port connector on the Miniconverter to the 25-pin serial port connector on the GE Workmaster II computer, or an IBM PC-XT or PS/2 Personal Computer.

The GE Workmaster computer requires an additional adapter (not supplied with kit - please contact your local GE Intelligent Platforms distributor) for use with the Miniconverter.

Pin Assignments, RS-232 Port

The pinout of the Miniconverter is shown in the following two tables. The first table shows the pinout for the RS-232 port. The direction of signal flow is with respect to the Miniconverter.

Table O-1. Miniconverter RS-232 Port

Pin	Signal Name	Direction
2	SD - Send Data	Output
3	RD - Receive Data	Input
5	GND - Ground	n/a
7	CTS - Clear To Send	Input
8	RTS - Request To Send	Output

The pinouts were chosen to allow direct connection (using a straight through, or 1 to 1 cable (as provided with kit)) to the IBM PC-AT. Most IBM compatible computers equipped with an RS-232 port will provide a pinout compatible with the one shown above.

Pin Assignments, RS-422 Port

Table F-2 is the pinout for the Miniconverter's RS-422 serial port. The direction of signal flow is also with respect to the Miniconverter.

Table O-2. Miniconverter RS-422 Port

Pin	Signal Name	Direction
1	SHLD - Shield	n/a
5	+5 VDC - Power	Input
6	CTS(A') - Clear To Send	Input
7	GND - Ground	n/a
8	RTS(B) - Request To Send	Output
9	RT - Receive Termination	Output
10	SD(A) - Send Data	Output
11	SD(B) - Send Data	Output
12	RD(A') - Receive Data	Input
13	RD(B') - Receive Data	Input
14	CTS(B') Clear To Send	Input
15	RTS(A) - Request To Send	Output

System Configurations

The Miniconverter can be used in a point-to-point configuration as described above, or in a multidrop configuration with the host device configured as the master and one or more PLCs configured as slaves.

The multidrop configuration requires a straight through (1 to 1) cable from the Miniconverter's RS-422 port to the first slave PLC's SNP port. Other slaves will require a daisy chain connection between slaves. A maximum of eight devices can be connected in an RS-422 multidrop configuration. All of the devices must have a common ground. If isolation is required, the IC690ACC903 Port Isolator can be used with the Miniconverter. See Appendix G for information.

When using the Miniconverter with a modem connection, it may be necessary to jumper RTS to CTS (consult the user's manual for your modem).

Cable Diagrams (Point-To-Point)

When connecting the Miniconverter to IBM PC and compatible computers with hardware handshaking, the following cable connections should be used.

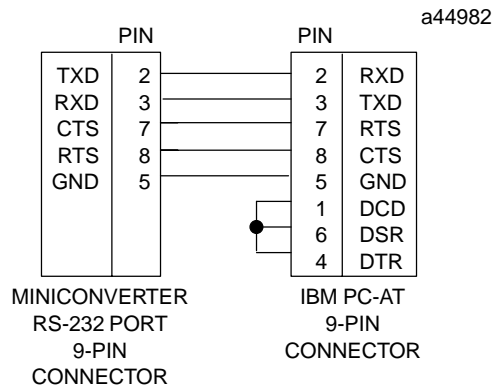


Figure O-2. Miniconverter to PC-AT

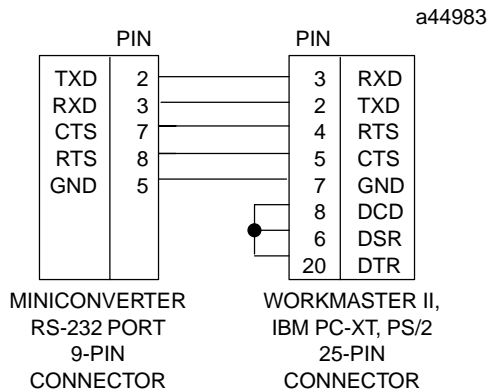


Figure O-3. Miniconverter to Workmaster II, PC-XT, PS/2

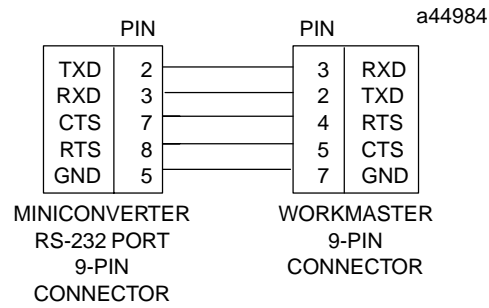


Figure O-4. Miniconverter to 9-Pin Workmaster or PC-XT Computer (Additional Adapter Required)

Table O-3. Miniconverter Specifications

Mechanical: RS-422 RS-232	15-pin D shell male for direct mounting to Series 90 serial port. 9-pin D shell male for connection to RS-232 serial port of a Workmaster II computer or Personal Computer.
Electrical and General: Voltage Supply Typical Current Operating Temperature Baud Rate Conformance Ground Isolation	+5 VDC (supplied by PLC power supply) Version A (IC690ACC901A) - 150 mA Version B (IC690ACC901B) - 100 mA 0 to 70° C (32 to 158° F) 38.4K Baud maximum EIA-422 (Balanced Line) or EIA-423 (Unbalanced Line) Not provided

Numbers

2-Wire RTU, 8-10

4-Wire RTU, 8-10

A

Acronyms, A-2

Appendix

A - Glossary of Terms, A-1

B - ASCII Code List, B-1

C - CCM Compatibility, C-1

D - RTU Compatibility, D-1

E - Serial Line Interface, E-1

F - Communications Networks, F-1, G-1

SNP Multidrop, H-1, I-1, J-1

ASCII Code List, B-1

Asynchronous Transmission, E-1, E-4

Attach (SNP Command), 6-34

Auto dial feature, J-4

Autodial, 9-25

Autodial (SNP Command), 6-68

B

Block Check Code (BCC), 7-62

Break Sequence, 7-48

Broadcast Delay, 6-31, 6-33, 7-60

Broadcast SNP ID, 7-58

Broadcast SNP-X Commands, 7-65

C

Cable

IC693CBL316, 8-16

IC690CBL714A, 8-17

Cable and connections for serial port, multidrop cable, H-2

Cable Assembly Specifications, 8-2

Cable Diagrams, 8-1

Cable Diagrams for Isolated Repeater/Converter, N-7

Cable Diagrams for Miniconverter, O-3

Cables

serial comm, 8-1

SNP multidrop, H-2

Cancel Datagram (SNP Command), 6-62

Cancelling a Datagram, 7-56

Catalog numbers, converters, IC690ACC901, O-1

CCM Command Examples, 5-16

Clear CCM Diagnostic Status Words, 5-17

Read CCM Diagnostic Status Words to Source Registers, 5-17

Read Q-Response to Source Register Table, 5-20

Read Target to Source Memory, 5-19

Set Q Response, 5-16

Single Bit Write, 5-21

Software Configuration, 5-18

Write to Target from Source, 5-22

CCM Command Number, 5-2

CCM Command Summary, 5-4

CCM COMMREQ Programming Examples, 5-14

CCM Compatibility, C-1, C-2

CCM Data Lengths, 5-10

CCM Master-Slave Mode, 7-9

CCM Memory Addresses, 5-9

CCM Memory Types, 5-5

CCM Operation, Memory Types not Supported, C-3

CCM Peer-to-Peer Mode, 7-7

CCM Protocol, 7-2

CCM Protocol Timing/Retry, 7-11

CCM Scratch Pad, 5-6

CCM Service, 5-1

CCM State Tables, 7-13

CCM Master State Table, 7-16

CCM Peer State Table, 7-14

CCM Slave State Table, 7-18

CCM Status Word, 5-11

CGR CPUs, comm. features, 3-8

Change Privilege Level (SNP Command), 6-38

Change SNP ID (SNP Command), 6-24

Clear CCM Diagnostic Status Words (CCM Command), 5-17

- Clear Diagnostic Status Words (SNP Command), 6–21
 - COMMREQ, 9–4
 - 4300, 9–18
 - 4301, 9–19
 - 4302, 9–20
 - 4303, 9–21
 - 4304, 9–23
 - 4399, 9–24
 - 4400, 9–25
 - 4401, 9–27
 - 4402, 9–28
 - 4403, 9–30
 - for Serial I/O, 9–4
 - COMMREQ Command Block, 4–2, 4–7
 - COMMREQ Data Block (CCM), 5–2
 - COMMREQ Data Block (SNP), 6–2
 - COMMREQ Ladder Instruction, 4–2, 4–5
 - COMMREQ Status Word
 - CCM Status Word, 5–11
 - Serial I/O, 9–14
 - SNP Status Word, 6–4
 - Communication Errors (RTU), 7–44
 - Communication Networks, Types of
 - Modem Transmission, F–3
 - Multidrop, F–2
 - Point-to-Point, F–1
 - Communication Request. *See* COMMREQ
 - Communications Line, Serial, E–5
 - Communications Networks, F–1
 - Communications Parameters, 2–12
 - Communications Parameters (CPU 351), 3–17
 - Communications Parameters (CPU 352), 3–17
 - Communications Protocols for the CMM, 1–3
 - Communications Request (COMMREQ), 4–2
 - Compatibility, communication protocols, M–1
 - Compatibility (CCM), C–1
 - Compatibility (RTU), D–1
 - Configuration Modes, 2–10
 - Configuring the CMM, 2–10
 - I/O Rack Configuration, 2–10
 - Configuring the CPU 351 Serial Ports, 3–1, 3–15
 - Configuring the CPU 352 Serial Ports, 3–1, 3–15
 - Connection, diagrams, 8–1
 - Control Information Area, 6–51
 - Control Program Area, 6–49
 - Converter, N–1
 - Converters, IC690ACC901, O–1
 - CPU 351 Serial Ports, Configuring, 3–1, 3–15
 - CPU 352 Serial Ports, Configuring, 3–1, 3–15
 - CPU ID (CCM), 5–2
 - CPU serial ports, M–1
 - CPU351, ports 1 and 2, 3–4
 - CPU352, ports 1 and 2, 3–4
 - CPU363, ports 1 and 2, 3–4
 - CPX CPUs, comm. features, 3–7
 - Cyclic Redundancy Check (CRC), 7–25
 - Calculating the CRC–16, 7–26
- ## D
- Data Length (CCM COMMREQ), 5–3
 - Data Length (CCM), 5–3
 - Data Lengths (CCM Memory Types), 5–10
 - Datagrams, 7–54
 - Cancel Datagram, 6–62
 - Cancelling a Datagram, 7–56
 - Datagram ID, 6–58, 7–54
 - Datagram Lifetime, 7–56
 - Establish Datagram, 6–58
 - Establishing a Datagram, 7–54
 - Normal Datagram, 6–59, 7–56
 - Permanent Datagram, 6–59, 7–56
 - Point Formats, 6–59, 7–54
 - Retrieving a Datagram, 7–55
 - Update Datagram, 6–61
 - Update Real–Time Datagram, 6–63, 7–55
 - Diagnostic Status Words (CCM), 5–8
 - Diagnostic Status Words (SNP), 6–22
 - Directed SNP-X Commands, 7–64
 - Duplex mode, configuring, 8–12

E

- Error Codes
 - CCM Error Codes, 5–12
 - RTU Error Responses, 7–44
 - SNP Major Error Codes, 6–5
 - SNP Minor Error Codes, 6–6
 - Autodial Error Codes, 6–13
 - Local SNP/SNP-X Error Codes, 6–8
 - Port Configurer Error Codes, 6–15
 - Remote SNP Error Codes, 6–12
 - Service Request Error Codes, 6–6
 - SNP DOS Driver Error Codes, 6–7
 - SNP-X Slave Error Codes, 6–14
- Errors, Noise, E–2
- Errors, Transmission Timing, E–3
- Establish Datagram (SNP Command), 6–58
- Establish SNP-X Session, 7–64
- Establishing a Datagram, 7–54
- Establishing SNP Communication, 7–48

F

- Fault Table Format, 6–54
- Fax Link system, L–1
- Force Multiple Outputs (RTU message), 7–38
- Force Single Output (RTU message), 7–33
- Framing Errors, E–3
- Function codes, RTU, M–2

G

- Glossary of Terms, A–1

H

- Hardware Description, 2–2
 - Series 90–30 CPU
 - LED Indicators, 3–3
 - Serial Ports, 3–3
 - Series 90–70 CPU
 - figure, 3–6
 - LED Indicators, 3–7
 - Serial Ports, 3–7
- Help, from GE Intelligent Platforms , L–1

I

- IC655CMM590, isolated converter, (obsolete), N–1
- IC690CBL714A, multidrop cable, H–2
- IC690CBL714A cable, wiring diagram, 8–18
- IC693CBL316, Cable, 8–16
- Information Codes, E–1
- Information codes, E–1
- Initialize Port function, 9–18, 9–19
- Input Buffer, Flush, 9–20
- Input Buffer, Set Up, 9–19
- Installing and Configuring the CMM, 2–7
- Installing the CMM Hardware, 2–8
- Interface Standards, E–6
 - RS-232, E–6
 - RS-449, RS-422, RS-485, E–7
- Internet, GE Intelligent Platforms site, L–1
- Isolated Repeater/Converter
 - Cable Diagrams, N–7
 - System Configurations, N–5

L

- Ladder Program Example
 - CCM Program Example, 5–14
 - SNP Program Example, 6–16
- LED Indicators, 2–3
 - Module OK LED, 2–3
 - P1 (CPU 351), 3–3
 - P2 (CPU 351), 3–3, 3–7
 - Serial Port LEDs, 2–3
- Line, Serial Communications, E–5
- Long Attach (SNP Command), 6–65
- Long Break, 7–61
- Loopback/Maintenance (RTU message), 7–36

M

- Master–Slave, 7–9, 7–47
- Memory Addresses
 - CCM Memory Addresses, 5–9
 - SNP Memory Addresses, 6–3
- Memory Types
 - CCM Memory Types, 5–5

- Series Five vs. Series 90, C-4
- Series One vs. Series 90, C-4
- Series Six vs. Series 90, C-3
- SNP Memory Types, 6-3
- IC690CBL714A, multidrop cable, 8-17
- Miniconverter kit
 - cable diagrams, O-3
 - IC690ACC901, O-1
 - RS-232 port pin assignments, O-2
 - RS-422 port pin assignments, O-2
 - RS-422 (SNP) to RS-232, O-1
 - specifications, O-4
 - system configurations, O-3
- Series 90 CPU, Serial Port Pin Assignments, 3-9
- Port 2, pinout, 3-9
- Modem, J-4
 - Hayes-compatible, 9-26
 - support, L-2
- Modem Command via SNP Autodial, 6-68
- Modem Communications Modes, E-5
- Modem setup, with Windows software, K-1
- Modem Transmission, F-3
- Modem Turnaround Delay, 6-31, 6-33, 7-53
- Modems, E-5
- Modes, Communications, E-5
- Multi-Slave Session, 6-31, 6-33
- Multidrop, F-2
 - cable, 8-17
 - configuring, H-5
 - SNP ID, 6-64
 - system limitations, H-2
- Multidrop cables
 - specification table, H-2
 - types, H-2
- Multidrop, SNP
 - connecting, H-6
 - examples, H-4
 - overview, H-1
 - setting SNP ID, H-5
 - troubleshooting, H-6
 - wiring diagram, H-3

N

Noise Error Checking, Parity Checking, E-2

Noise Errors, E-2
NOWAIT mode, 4-7

O

Operation

- auto dial feature, J-4
- using a modem, J-4

Overrun Errors, E-3
Overview of the CMM, 2-1

P

Parity Checking, E-2
Peer-to-Peer, 7-7
Piggyback Status, 6-35, 6-36, 6-65

- PLC Status Word, 6-37

PLC Major/Minor Type Codes, 6-51
PLC Short Status (SNP Command), 6-46
PLC Status Word, 6-37
PLC Sweep, calls Serial I/O, 9-13
Point Format, 6-59

- Memory Type Restrictions, 6-60

Point-To-Point, F-1
Port 1, pinout, 3-9
Port Status, read, 9-21
Port, serial, Series 90, standard, 3-10
Ports, RS-422, described, M-1
Preset Multiple Registers (RTU message), 7-39
Preset Single Register (RTU message), 7-34
Privilege levels, for Serial Port 2, M-3
Privilege Levels in PLC, 6-39
Programming Examples

- CCM Program Example, 5-14
- SNP Program Example, 6-16

Protocol Definition

- CCM Protocol, 7-2
- RTU Protocol, 7-20
- SNP Protocol, 7-47
- SNP-X Protocol, 7-57

Protocol Definition-CCM, RTU, SNP, SNP-X, 7-1
Protocol errors, 9-13

Protocols, communication, release information, M-1

Q

Q-Sequence, 7-10
 Query-Response, 7-20
 Quick Guide to the Manual, 1-1

R

Read Analog Inputs (RTU message), 7-32
 Read Bytes, 9-28
 Read CCM Diagnostic Status Words to Source Registers (CCM Command), 5-17
 Read Diagnostic Status Words (SNP Command), 6-22
 Read Exception Status (RTU message), 7-35
 Read Input Table (RTU message), 7-30
 Read Output Table (RTU message), 7-29
 Read Program Block Memory (SNP Command), 6-44
 Read Q-Response to Source Register Table, 5-20
 Read Registers (RTU message), 7-31
 Read Scratch Pad Memory (RTU Message), 7-41
 Read String, 9-30
 Read System Memory (SNP Command), 6-40
 Read Target to Source Memory (CCM Command), 5-19
 Read Task Memory (SNP Command), 6-42
 Repair, product, L-2
 Repeater/Converter, N-1
 Report Device Type (RTU Message), 7-40
 Response Timeout, 6-31, 6-33, 7-60
 Restart/Reset Pushbutton, 2-4
 Retries (CCM), 7-13
 Retries (SNP), 7-50
 Retrieving a Datagram, 7-55
 Return Control Program Name (SNP Command), 6-48
 Return Controller Type/ID (SNP Command), 6-50
 Return Fault Table (SNP Command), 6-53
 Return PLC Time/Date (SNP Command), 6-52
 RS-232, E-6
 RS-232 Cable Diagrams, 8-3
 RS-422, serial ports, Micro PLC, described, M-1
 RS-422/RS-485 Cable Diagrams, 8-5
 RS-449, RS-422, and RS-485, E-7
 RS-485 Interface, 8-5
 2-Wire Operation, 5-18
 RS-232 (CPU 351 Port 1), 3-3, 3-7
 RS-485 (CPU 351 Port 2), 3-3, 3-7
 RTS/CTS Timing, 2-14
 RTU
 2-Wire, 8-10
 Duplex Mode parameter, 8-10
 4-Wire, 8-10
 defined, M-1
 function codes, M-2
 RTU Character Format, 7-24
 RTU Communication Errors, 7-44
 IC690ACC901, Miniconverter/Cable, O-1
 RTU Compatibility, D-1
 RTU Message Descriptions, 7-29
 Force Multiple Output, 7-38
 Force Single Output, 7-33
 Loopback/Maintenance, 7-36
 Preset Multiple Registers, 7-39
 Preset Single Register, 7-34
 Read Analog Inputs, 7-32
 Read Exception Status, 7-35
 Read Input Table, 7-30
 Read Output Table, 7-29
 Read Registers, 7-31
 Read Scratch Pad Memory, 7-41
 Report Device Type, 7-40
 RTU Message Fields, 7-22
 Error Check Field, 7-24
 Function Code, 7-22
 Information Field, 7-23
 Station Address, 7-22
 RTU Message Format, 7-20

- RTU Message Length, 7–28
 - RTU Message Termination, 7–24
 - RTU Message Types, 7–21
 - Broadcast, 7–21
 - Error Response, 7–21
 - Normal Response, 7–21
 - Query, 7–21
 - RTU Protocol, 7–20
 - RTU Scratch Pad, 7–42
 - RTU slave, 9–13
 - RTU Timeout Usage, 7–24
- S**
- Scratch Pad (CCM), 5–6
 - Scratch Pad (RTU), 7–42
 - Serial Communications Line, E–1, E–5
 - Serial I/O
 - Cancel Operation function, 9–24
 - Flush Input Buffer function, 9–20
 - Initialize Port function, 9–18
 - Input Buffer function, 9–19
 - Overview, 3–13
 - Read Bytes function, 9–28
 - Read Port Status function, 9–21
 - Read String function, 9–30
 - Write Bytes function, 9–25, 9–27
 - Write Port Control function, 9–23
 - Serial Line Interface, E–1
 - Serial port, standard, Series 90 CPU, 3–10
 - Standard SNP serial port, Series 90 CPU, 3–10
 - Serial port connector, when functional, 3–10
 - Serial Port Pin Assignments, 3–9
 - Series 90 CPU, 3–9
 - Serial Ports, 2–4
 - CMM311, 2–5
 - CMM711, 2–4
 - Series 90 Micro PLC, M–1
 - Serial ports
 - protocols supported, M–1
 - Series 90 PLC, described, M–1
 - Series 90 Micro PLC, Serial Ports, M–1
 - Series 90–30 CPUs, figure, 3–2
 - Session
 - SNP Communication Session, 7–48
 - SNP-X Communication Session, 7–57
 - Session Type (SNP-X), 6–31, 6–33
 - Set PLC Time/Date (SNP Command), 6–55
 - Set Q Response (CCM Command), 5–16
 - Set X–Status Bits Address (SNP-X Command), 6–25, 6–27
 - Short Status, 6–46
 - Signal names
 - conventions, 8–6
 - RS–422, 8–6
 - Single Bit Write (CCM Command), 5–21
 - Single–Slave Session, 6–31, 6–33
 - Slave Memory Access Bits (X-Status Bits), 7–59
 - Slave PLC Status Word (SNP-X), 6–31, 6–33, 7–59
 - SNP, 9–9
 - SNP Command Examples, 6–22
 - Attach, 6–34
 - Autodial Command, 6–68
 - Cancel Datagram, 6–62
 - Change Privilege Level, 6–38
 - Change SNP ID, 6–24
 - Clear Diagnostic Status Words, 6–21
 - Establish Datagram, 6–58
 - Long Attach, 6–65
 - PLC Short Status, 6–46
 - Read Diagnostic Status Words, 6–22
 - Read Program Block Memory, 6–44
 - Read System Memory, 6–40
 - Read Task Memory, 6–42
 - Return Control Program Name, 6–48
 - Return Controller Type and ID Information, 6–50
 - Return Fault Table, 6–53
 - Return PLC Time/Date, 6–52
 - Set PLC Time/Date, 6–55
 - Set X–Status Bits Address, 6–25, 6–27
 - Toggle Force System Memory, 6–56
 - Update Datagram, 6–61
 - Update Real–Time Datagram, 6–63
 - Write Program Block Memory, 6–45
 - Write System Memory, 6–41
 - Write Task Memory, 6–43
 - X–Read, 6–30
 - X–Write, 6–32
 - SNP Command Summary, 6–20

- SNP COMMREQ Programming Examples, 6–16
 - SNP ID, 6–24, 6–31, 6–32, 6–35, 6–63, 6–66, 7–48, 7–58, M–3
 - for multidrop, H–5
 - Null, 6–64
 - SNP master, 9–13
 - SNP Master–Slave Operation, 7–47
 - SNP Message Format, 7–48
 - SNP multidrop, overview, H–1
 - SNP Protocol, 7–47
 - SNP Request–Response, 7–49
 - SNP Retry and Error Recovery, 7–50
 - SNP Service, 6–1
 - SNP Status Word, 6–4
 - SNP Timers, 7–50
 - Change via Long Attach, 6–65
 - T1, 7–51
 - T2, 7–51
 - T3, 7–51
 - T3^{''}, 7–52
 - T3['], 7–51
 - T4, 7–52
 - T5, 7–52
 - T5^{''}, 7–52
 - T5['], 7–52
 - SNP-X Commands, 7–72
 - X–Attach Command, 7–72
 - X–Read Command, 7–75
 - X–Write Command, 7–77
 - SNP-X Protocol, 7–57
 - SNP-X Protocol Sequence, 7–63
 - SNP-X State Tables, 7–84
 - SNP-X Master State Table, 7–84
 - SNP-X Slave State Table, 7–86
 - SNP-X COMMREQ Programming Examples, 6–20
 - Set X–Status Bits Address, 6–25, 6–27
 - X–Read, 6–30
 - X–Write, 6–32
 - Software Configuration (CCM Command), 5–18
 - Source Memory Address (CCM), 5–3
 - Standards, Interface, E–6
 - State Tables (CCM), 7–13
 - Station Manager's cable, 8–16
 - Status Word
 - CCM Status Word, 5–11
 - SNP Status Word, 6–4
 - Synchronize PLC Time/Date, 6–55
- ## T
- Target ID (CCM), 5–2
 - Target Memory Address (CCM), 5–3
 - Target Memory Type (CCM), 5–3
 - Telephone numbers, GE Intelligent Platforms help, L–2
 - Timeout Errors, E–3
 - Timeouts (CCM), 7–11
 - Timeouts (RTU), 7–24, 7–45
 - Timers (SNP-X), 7–60
 - Broadcast Delay, 7–60
 - Buffer Timeout, 7–61
 - Response Timeout, 7–60
 - Timers (SNP)
 - Default SNP Timer Values, 2–15
 - SNP Timers, 7–50
 - Toggle Force Memory Types, 6–57
 - Toggle Force System Memory (SNP Command), 6–56
 - Transmission Delay, 6–31, 6–33, 7–53
 - Transmission Errors and Detection, E–1, E–2
 - Transmission Timing Errors, E–3
 - Transmission, Asynchronous, E–4
 - Troubleshooting, multidrop problems, H–6
- ## U
- Update Datagram (SNP Command), 6–61
 - Update Real–Time Datagram, 7–55
 - Update Real–Time Datagram (SNP Command), 6–63
- ## W
- WAIT mode, 4–7
 - Web site, GE Intelligent Platforms , L–1
 - Wiring Diagrams, 8–1
 - Write Bytes, 9–27

Write Program Block Memory (SNP Command), 6–45

Write System Memory (SNP Command), 6–41

Write Task Memory (SNP Command), 6–43

Write to Target from Source (CCM Command), 5–22

WYE Cable for CMM311, 2–5

X

X-Buffer Message Structure, 7–71

X-Read (SNP-X Commands), 6–30

X-Request Message Structure, 7–67

X-Response Message Structure, 7–69

X-Status Bits, 6–25, 6–27, 7–59

X-Write (SNP-X Command), 6–32