



Benzstr. 30 D - 82178 Puchheim
 Tel. +49 (0) 89/800617-0
 Fax +49 (0) 89/800617-61
 Email info@ami-elektronik.de

Type AMI 100/110

PULSES

Each pulse rate up to 10000 pulses per revolution

Interpolation

internal 5/10/25/50 times interpolation optional

MECHANICAL DATA

Shaft

Ø 6...10 mm, stainless steel

Shaft load

axial 10 N, radial 20 N

Rotating speed

max. 10.000 rpm

Working temperature

0° C...+80° C

Vibration

10 g (20...2000 Hz)

Shock

100 g (11 ms)

Ingress protection

IP 64 on shaft (optional IP67)

89/366/EWG EMV-rules

EN 50081 part 2, EN 50082 part 2

ELECTRICAL DATA

Signals

square wave and sinusoidal

Light source

LED

Operating voltage

5 Volt ± 5%,
10...30 Volt

Current consumption without load

max 100 mA

Scan frequency

300 kHz with square wave 5 Volt
300 kHz with square wave 10...30 Volt

Output level

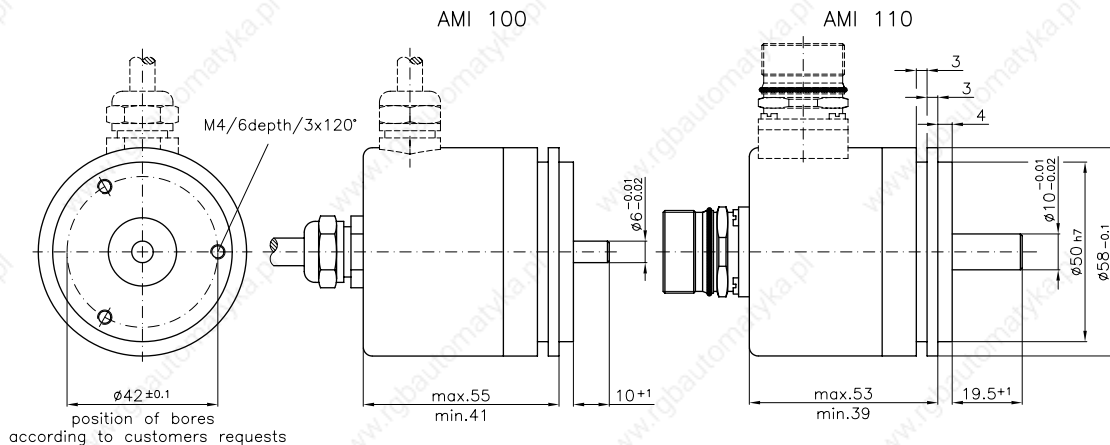
5 Volt Line-Driver
10...30 Volt push-pull short-circuit proof

Current output

20 mA

Output signals

2 channels A and B phase-shifted 90° electrically
zero-pulse 1 pulse per revolution
length 90°, 180° oder 360° electrically
all signals with inversion



Rotary encoder

AMI 100/110

AMI 200

AMI 300

AMI 401/402

AMI 410/411

AMI 412/423

Hollow shaft encoder

AMI 501/502

AMI 503

AMI 512

AMI 513

Angle encoder

AMI 1310

AMI 1503

AMI 1513

AMI 1526

Special encoder

Handwheel magnetic

PRO 100

PRO 200

PRO 512

AMI 449

AMI 487

AMI 492

Accessories

Connectors

Couplings

Flanges

Clamping lugs