

# Ultimate Miniature Size Connector with Integral Cable Clamp Cap

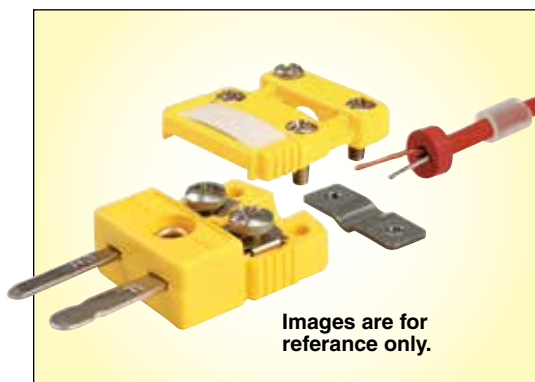


## SMPW-CC Series

- ✓ Integral Cap+Cable Clamp
- ✓ Strain Relief With Grommet
- ✓ Captive Cover Screws
- ✓ Captive Clamp Screws
- ✓ Accepts Stranded or Solid Wire as Small as 40 AWG Up to 20 AWG, or Overbraided, TWSH, Armored Up to 5.5 mm (0.22") OD
- ✓ Contact Washers for Quick Connect Wire Termination
  - Use Straight Wire
  - No Wire Loop Required
- ✓ Internal Wire Divider
- ✓ Write-On Window
- ✓ Combination Phillips/Slot Screws
- ✓ 100% Top Side Assembly
- ✓ Glass Filled Nylon Rated From -29 to 180°C (-20 to 356°F)
- ✓ Sold in Single Connector or Bulk Pack of 5, 50, 100

*Note: Minor discoloration of connector may occur between 150°C (302°F) and 180°C (356°F). Electrical properties are not affected.*

**Reduce Assembly Time From 3 Minutes to Less Than 1 Minute!**



**Incredible Labor Saver! No Loose Screws, All Cover Screws Are Captive!**

Terminate straight wire, wire loop not necessary.

Back plate 1/8" supplied adjustable to hold 40 AWG to 5.5 mm (0.22") OD.

In Bulk packing Grommets sold separately, Single connectors pack Grommets are included

Contact washers.

All screws are combination head.

Images are for reference only.

SMPW-CC-K-M shown larger than actual size.

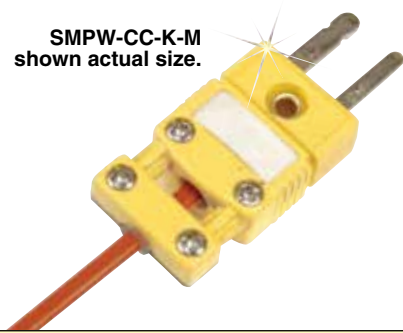
Actual size.

Images are for reference only.

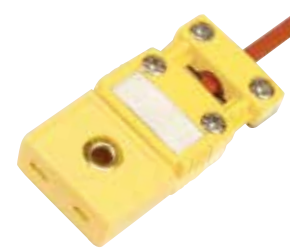
SMPW-CC-K-F shown larger than actual size.

**Side Load Equal to Stainless Steel**

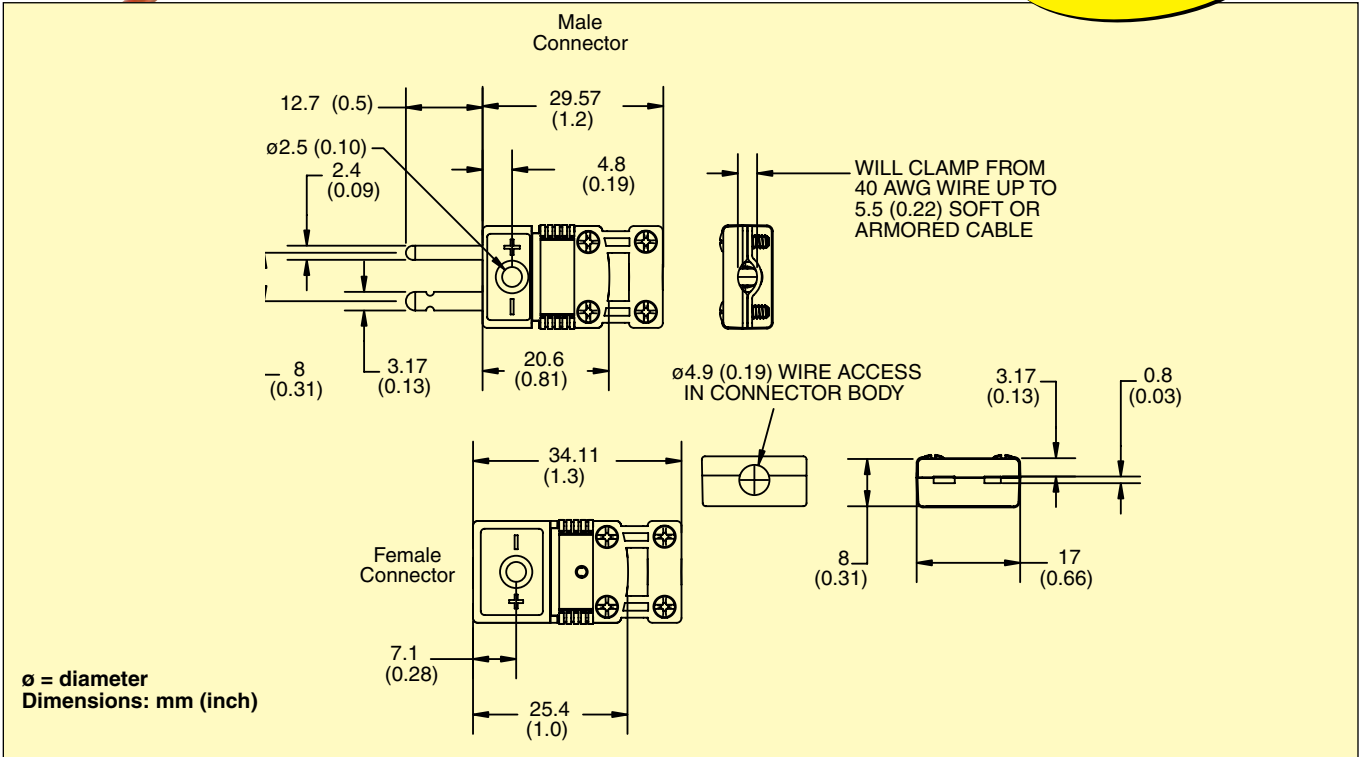
SMPW-CC-K-M  
shown actual size.



SMPW-CC-K-F  
shown actual size.

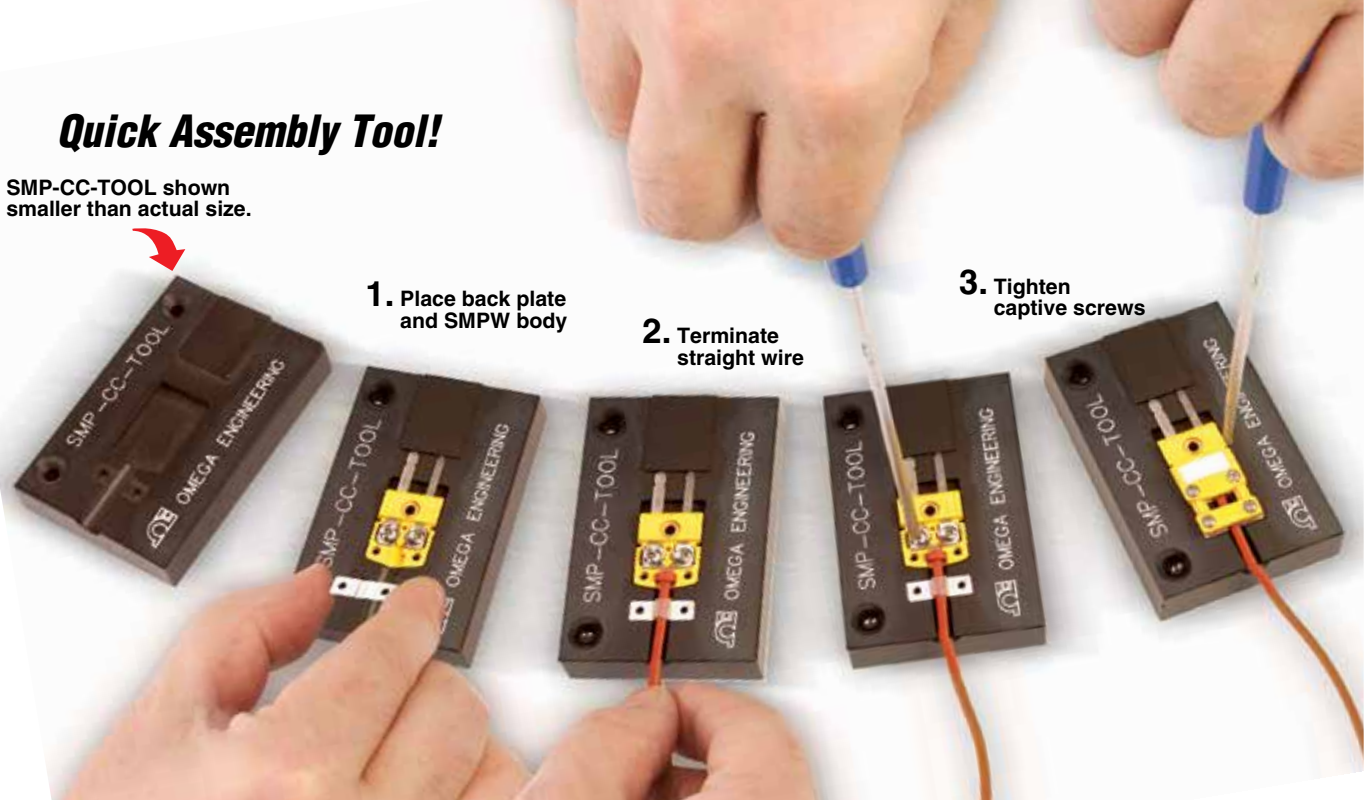


**Pull Test  
Highest Rating**



**Quick Assembly Tool!**

SMP-CC-TOOL shown smaller than actual size.



**1. Place back plate and SMPW body**

**2. Terminate straight wire**

**3. Tighten captive screws**

**Bulk Packaging, the Wire/Connector and Clamp Grommets Sold Separately.**

Model Number	Inside Dia mm (inch)	Outside Dia mm (inch)	Length mm (inch)	Description
SR-SMP-*	1.59 (0.063)	4.77 (0.188)	6.35 (0.25)	Strain relief Silicone Wire Grommet
SSRT-CC-018-(* )	3.18 (0.125)	4.77 (0.188)	6.35 (0.250)	Silicon Clamp Grommet
SSRT-CC-332-(* )	2.38 (0.094)			
SSRT-CC-116-(* )	1.59 (0.063)			
SSRT-CC-132-(* )	0.79 (0.032)			

\* Insert package QTY: Select from 5, 10, 50, 100

<b>To Order</b>					
Alloy Code	Compensating Alloy Used in Connector		ANSI Color Code	Glass-Filled Nylon Model No.	
	(+)	(-)		Male	Female
<b>K</b>	CHROMEPA™	ALOMEPA™	Yellow	SMPW-CC-K-M	SMPW-CC-K-F
<b>T</b>	Copper	Constantan	Blue	SMPW-CC-T-M	SMPW-CC-T-F
<b>J</b>	Iron	Constantan	Black	SMPW-CC-J-M	SMPW-CC-J-F
<b>E</b>	CHROMEPA	Constantan	Purple	SMPW-CC-E-M	SMPW-CC-E-F
<b>R/S</b>	Copper	RNX/SNX	Green	SMPW-CC-R/S-M	SMPW-CC-R/S-F
<b>C</b>	CPX	CNX	Red	SMPW-CC-C-M	SMPW-CC-C-F
<b>U</b>	Copper	Copper	White	SMPW-CC-U-M	SMPW-CC-U-F
<b>N</b>	OMEGA-P™	OMEGA-N™	Orange	SMPW-CC-N-M	SMPW-CC-N-F

\* To order solid pin male connectors, add suffix “-S” to the model number for additional cost.

**Ordering Example:** OSTW-CC-K-M, clamp cap, Type K, hollow pin male.

**Note:** Bulk packaging options available OSTW-CC-\*.\*\*\*.\*\*\*, where \* Calibration type, \*\* M or F, \*\*\* 5, 50 or 100 pkg qty.