



## Wireless magnetic sensor RF RC M30 SW915 KST Material number: 1362227

### Features/Options

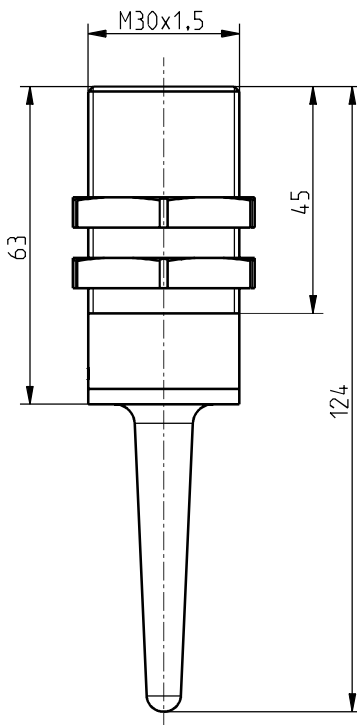
- Thermoplastic enclosure
- sWave® wireless technology
- Power supply by Lithium battery

- No wiring and pipe laying required
- Easy programming of receiver
- Output signal can be individually configured at the receiver

### Notes

- 2 mounting nuts are included in delivery
- The actuator is not included in the delivery of the switches

### Dimensions



### Technical data

<b>Standards</b>	EN 60947-5-1; EN 61000-6-2, -6-3, EN 61000-4-2, -4-20; EN 301 489-1; EN 301 489-3; EN 300 220-1; EN 300 220-2
<b>Enclosure</b>	PVC-C
<b>Degree of protection</b>	IP 67 to IEC/EN 60529
<b>Protocol</b>	sWave®
<b>Ambient temperature</b>	-25 °C ... +65 °C
<b>Switching system</b>	Reed contact
<b>Switching distance</b>	M 100: $s_n > 15$ mm; M 100: $s_a 0 \dots 12,15$ mm M 30 Niro: $s_n > 30$ mm; M 30 Niro: $s_a 0 \dots 24,3$ mm
<b>Hysteresis</b>	< 1 mm
<b>Operation cycles</b>	approx. 12000 telegrams at repetitions/h
<b>Voltage supply</b>	Lithium-battery CR 2032 (replaceable)
<b>Current absorption</b>	without transmissions: Reed contact: approx. 1 $\mu$ A
<b>Capacity</b>	approx. 240 mAh
<b>Frequency</b>	915 MHz (USA, Canada and Australia)
<b>Transmission power</b>	< 10 mW
<b>Data rate</b>	66 kbps
<b>Channel bandwidth</b>	400 kHz
<b>Sensing range</b>	max. 450 m outside, max. 40 m inside
<b>Mechanical life</b>	> 1 million operations
<b>Battery life</b>	approx. 10 years unused, Reedschalter: approx. 6 years with 1 actuation per min.
<b>Actuating time</b>	min. 80 ms
<b>Approvals</b>	USA: FCC: XK5-RFRXSW915; Canada: IC: 5158A-RFRXSW915

Errors and omissions excepted.