

<b>TECHNICAL REPORT (MANUAL)</b>	<b>No. TMS01/041E</b>
----------------------------------	-----------------------

Date. 11-Oct-2001  
 General Manager of  
 Servo Laboratory

Specification change in Manual Pulse Generator (MPG)

1. Communicate this report to:

<input type="radio"/>	Your information
<input type="radio"/>	GE Fanuc-N, GE Fanuc-E
	FANUC Robotics
	MILACRON
<input type="radio"/>	Machine tool builder
	Sales agency
	End user

2. Summary for Sales Documents

This document is to pronounce the specification change in Manual Pulse Generator

3. Notice

4. Attached Document

Drawing NO.	A-56731E-0084
----------------	---------------

IDE

Original section of issue		
Department Manager	Section Manager	Person in Charge

**FANUC**

## Specification change in Manual Pulse Generator (MPG)

### **A) Abstract**

This document explains about the specification change in Manual Pulse Generator (MPG).

The production of the former specifications written in the table below has been stopped. The new specification on the right side of the table must be used hereafter.

Former specifications	Parts name	Alternative specifications	
A860-0202-T001	MPG	A860-0203-T001	
A860-0202-T002 A860-0202-T003	MPG with plate	A860-0203-T001	note1
A860-0202-T004	Pendant type MPG	A860-0203-T013	
A860-0202-T005	Pendant type MPG	A860-0203-T010	
A860-0202-T006	Pendant type MPG	A860-0203-T011	
A860-0202-T007	Pendant type MPG	A860-0203-T012	
A860-0202-T008	Pendant type MPG	A860-0203-T014	
A860-0202-T009	Pendant type MPG	A860-0203-T015	
A860-0202-T010	Pendant type MPG	A860-0203-T010	
A860-0202-T011	Pendant type MPG	A860-0203-T011	
A860-0202-T012	Pendant type MPG	A860-0203-T012	
A860-0202-T013	Pendant type MPG	A860-0203-T013	
A860-0202-T014	Pendant type MPG	A860-0203-T014	
A860-0202-T015	Pendant type MPG	A860-0203-T015	
A860-0202-T020	Pendant type MPG	A860-0203-T015	note2
A860-0201-T001	MPG	A860-0203-T001	
A860-0201-T002 A860-0201-T003	MPG with plate	A860-0203-T001	note1

### **Note:**

- 1) The plate is not included in the new specification.
- 2) The cable is not included in the new specification. The new specification does not declare to be conformed to CE marking.

The MPG used in the unit below also should be changed besides the specification above.

- Machine Operator's Panel
- Machine Operator's Panel (Sub panel)
- Handy Machine Operator's Panel
- Codeless MPG

Please refer to the Specification for Manual Pulse Generator from page 3 for detail.

									Documentation for the change of MPG
01.09.06									
									1 / 6



## Specification for Manual Pulse Generator

1. This specification is applied to Manual Pulse Generator, A860-0203-T001 ~.

### 2. Environment Condition for Installation

	Item	Symbol	Condition		Unit	Remarks
			Min.	Max.		
1	Operating Temperature	T <sub>OP</sub>	-5	+60		
2	Storage Temperature	T <sub>ST</sub>	-40	+80	°C	
3	Operating Humidity	H <sub>OP</sub>	+30	+90	%RH	No Dewing

### 3. Electrical Specification

#### 1.1 Absolute Maximum Rating

	Item	Symbol	Condition		Unit	Remarks
			Min.	Max.		
1	Input Power Voltage	V <sub>CC</sub>		7.0	V	at Terminal
2	Output Current	I <sub>OL</sub>		30	mA	

#### 1.2 Power Supply

	Item	Symbol	Condition		Unit	Remarks
			Min.	Max.		
1	Input Power Voltage	V <sub>CC</sub>	4.5	5.25	V	at Terminal
2	Consumption Current	I <sub>CC</sub>		95	mA	

#### 1.3 Output Signal

- (1) Phase A and B      Phase difference: 90 °C
- (2) Number of Pulse    100 pulse/rev.
- (3) Scale Selection      Contact signal [1/10/100] (Only A860-0203-T010 ~ )
- (4) Axis Selection      Contact signal [X/Y/Z/4/5/6] (Only A860-0203-T010 ~ )

						Documentation for the change of MPG					
						<b>A-56731E-0084</b>					
01.09.06						3 / 6					



b) "Screw Terminal TB1"    Screw Terminal for M3    View from rear side

<b>COM1</b>	<b>x1</b>	<b>x10</b>	<b>x100</b>	<b>COM2</b>	<b>X</b>	<b>Y</b>	<b>Z</b>	<b>4</b>
-------------	-----------	------------	-------------	-------------	----------	----------	----------	----------

- ① [COM1]    Common Terminal for Scale Selection
- ② [x1]      Scale Selection for X1
- ③ [x10]     Scale Selection for X10
- ④ [x100]    Scale Selection for X100
- ⑤ [COM2]    Common Terminal for Axis Selection
- ⑥ [X]        Axis Selection for X
- ⑦ [Y]        Axis Selection for Y
- ⑧ [Z]        Axis Selection for Z
- ⑨ [4]        Axis Selection for 4th Axis

c) "Screw Terminal TB2"    Screw Terminal for M3    View from rear side

<b>L-</b>	<b>L+</b>	<b>5</b>	<b>6</b>
-----------	-----------	----------	----------

- ① [L-]      Ground terminal for LED
- ② [L+}      Power Supply terminal for LED
- ③ [5]        Axis Selection for 5th Axis
- ④ [6]        Axis Selection for 6th Axis

1.8 Relationship between terminals and axis

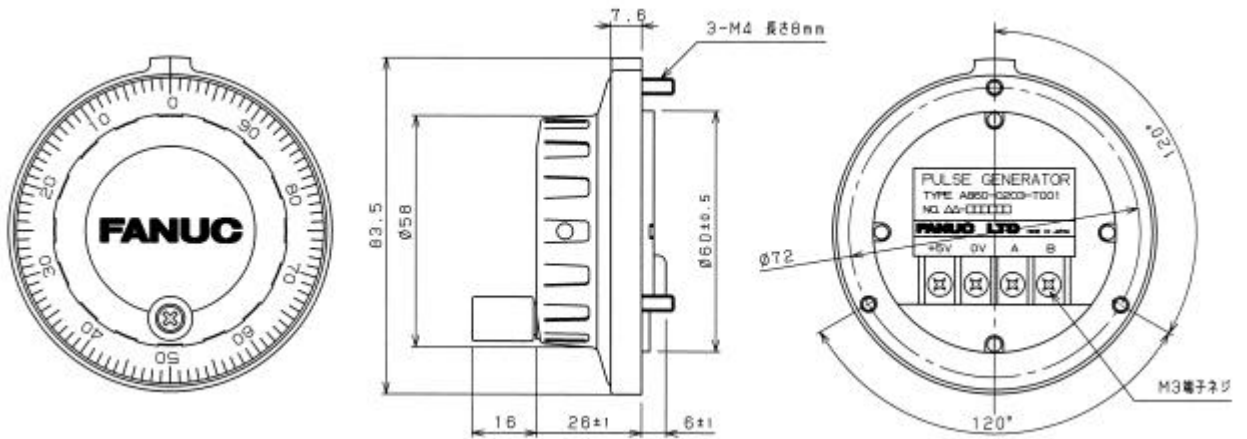
Drawing Number	Terminal Name						LED		Remarks
	X	Y	Z	4	5	6	w/o	with	
A860-0203-T010	X	Z	-	-	-	-		O	
A860-0203-T011	X	Z	C	-	-	-		O	
A860-0203-T012	X	Y	Z	-	-	-		O	
A860-0203-T013	X	Y	Z	4	-	-		O	
A860-0203-T014	X	Y	Z	4	5	-		O	
A860-0203-T015	X	Y	Z	4	5	6		O	

				Documentation for the change of MPG			
				<b>A-56731E-0084</b>			
				5 / 6			

## 4. Dimensions

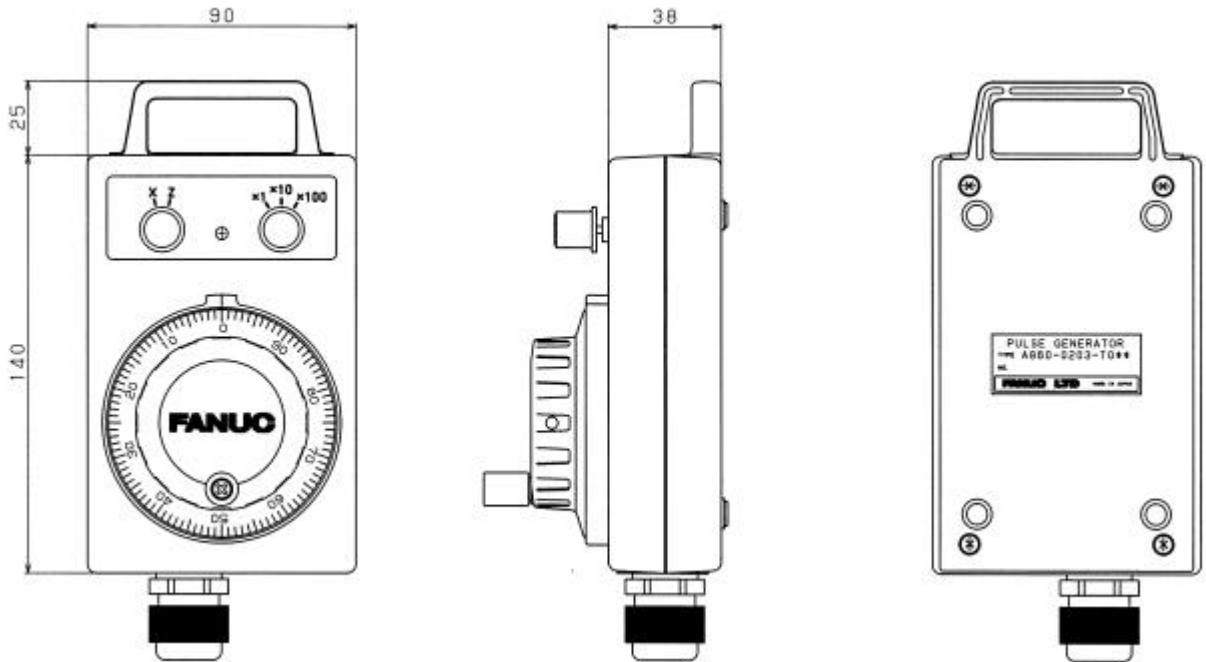
### 4.1 A860-0203-T001

Weight: 200g



### 4.2 A860-0203-T010 ~ T015

Weight: 600g




Documentation for the change of MPG

**A-56731E-0084**