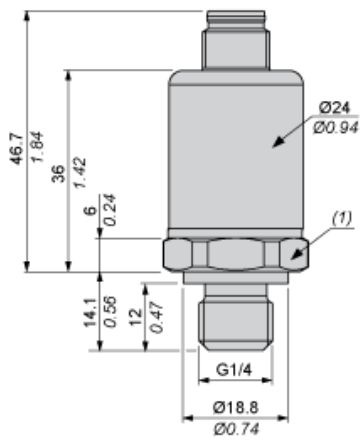


Dimensions

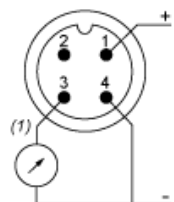
mm
in.



(1) SW24, tightening torque \square 24 N-m / 212 lb-in

Connections and Schema

Connector Wiring



- (1) V out
Pin Not connected
2 :