

# LLF40 Series

## Compact Internal Fitting, Low Level, Low S.G. Float Switch



- Suitable for low specific gravity liquids (0.7 S.G.)
- Very low level sensing
- Class leading compact design
- Flying Lead or M12 plug connection
- Available in Nylon, Polypropylene, PPS or PVDF
- 25VA & 100VA versions
- Many variants are UL recognised components File No. E171218
- Many variants have WRAS and/or UL approval

| Technical Specification | LLF43     | LLF44                          | LLF48                        | LLF46                           | LLF47                             |
|-------------------------|-----------|--------------------------------|------------------------------|---------------------------------|-----------------------------------|
| Material                | Nylon     | Polypropylene<br>WRAS approved | Polypropylene<br>UL approved | Polyphenylene<br>Sulphide (PPS) | Polyvinylidene<br>Fluoride (PVDF) |
| Colour                  | Black     | Opaque                         | White                        | Grey                            | Green                             |
| Temp. Range °C          | -20 / +75 | -20 / +100                     | -20 / +100                   | -10 / +120*                     | -10 / +105                        |
| °F                      | -4 / +167 | -4 / +212                      | -4 / +212                    | +14 / +248*                     | +14 / +221                        |
| Min. Fluid SG           | 0.7       | 0.7                            | 0.7                          | 0.7                             | 0.7                               |
| Must close level (SG=1) | 1mm       | 1mm                            | 1mm                          | 1mm                             | 1mm                               |
| Must open level (SG=1)  | 10mm      | 10mm                           | 10mm                         | 10mm                            | 10mm                              |

\* ETFE cable needs to be selected in order to achieve the maximum temperature rating

| Electrical Specification | 25W (Y code) | 100W (H code) |
|--------------------------|--------------|---------------|
| Contact Form             | N/O (N/C)    | N/O (N/C)     |
| Switching Power Max      | VA           | 25            |
| Switching Voltage AC Max | V            | 240           |
| Switching Voltage DC Max | V            | 120           |
| Switching Current Max    | A            | 0.6           |

All ratings are for resistive load only.

| Standard Parts | Material | Max Power | Leadouts         | Gasket  | Approvals |
|----------------|----------|-----------|------------------|---------|-----------|
| LLF43H100RF    | Nylon    | 100VA     | 100cm PVC 16/0.2 | Nitrile | WRAS      |
| LLF43Y100RF    | Nylon    | 25VA      | 100cm PVC 16/0.2 | Nitrile | WRAS      |
| LLF44H100RF    | PP       | 100VA     | 100cm PVC 16/0.2 | Nitrile | WRAS      |
| LLF44Y100RF    | PP       | 25VA      | 100cm PVC 16/0.2 | Nitrile | WRAS      |
| LLF46H100RF    | PPS      | 25VA      | 100cm PVC 16/0.2 | Nitrile | WRAS & UL |
| LLF46Y100RF    | PPS      | 25VA      | 100cm PVC 16/0.2 | Nitrile | WRAS & UL |
| LLF47Y100GF    | PVDF     | 25VA      | 100cm PTFE 7/0.2 | Nitrile | UL        |
| LLF47H100GF    | PVDF     | 100VA     | 100cm PTFE 7/0.2 | Nitrile | UL        |
| LLF47Y100GG    | PVDF     | 25VA      | 100cm PTFE 7/0.2 | Viton   | UL        |
| LLF47H100GG    | PVDF     | 100VA     | 100cm PTFE 7/0.2 | Viton   | UL        |
| LLF48H100RF    | PP (UL)  | 100VA     | 100cm PVC 16/0.2 | Nitrile | UL        |
| LLF48Y100RF    | PP (UL)  | 25VA      | 100cm PVC 16/0.2 | Nitrile | UL        |
| LLF43HFP       | Nylon    | 100VA     | M12 connector    | Nitrile | WRAS      |
| LLF43YFP       | Nylon    | 25VA      | M12 connector    | Nitrile | WRAS      |
| LLF44HFP       | PP       | 100VA     | M12 connector    | Nitrile | WRAS      |
| LLF44YFP       | PP       | 25VA      | M12 connector    | Nitrile | WRAS      |
| LLF46HFP       | PPS      | 100VA     | M12 connector    | Nitrile | WRAS & UL |
| LLF46YFP       | PPS      | 25VA      | M12 connector    | Nitrile | WRAS & UL |
| LLF47YFP       | PVDF     | 25VA      | M12 connector    | Nitrile | UL        |
| LLF47HFP       | PVDF     | 100VA     | M12 connector    | Nitrile | UL        |
| LLF47YGP       | PVDF     | 25VA      | M12 connector    | Viton   | UL        |
| LLF47HGP       | PVDF     | 100VA     | M12 connector    | Viton   | UL        |
| LLF48HFP       | PP (UL)  | 100VA     | M12 connector    | Nitrile | UL        |
| LLF48YFP       | PP (UL)  | 25VA      | M12 connector    | Nitrile | UL        |

The LLF40 series is designed as a compact internal fitting device, with a wide range of options, making this ideal for size sensitive applications. Mounting of this series requires access to the inside of the tank.

These devices are particularly suitable for detecting low levels of liquids in the bottom of tanks and containers, and for lower SG liquids. Typical applications include vending machines, commercial washing machines and evaporator units.

They are manufactured in a variety of materials with a choice of gasket materials, to suit most commonly used liquids.

The switch action may be reversed by rotating the device through 180°.

Available with flying leads or M12 socket for electrical connection. Cable sets with M12 plugs are also available.

Custom versions can be made for particular applications.

Cynergy3 Components Ltd.  
7 Cobham Road  
Ferndown Industrial Estate  
Wimborne, Dorset BH21 7PE  
Telephone +44 (0) 1202 897969  
Email:sales@cynergy3.com

ISO9001 CERTIFIED  
LLF40 2018

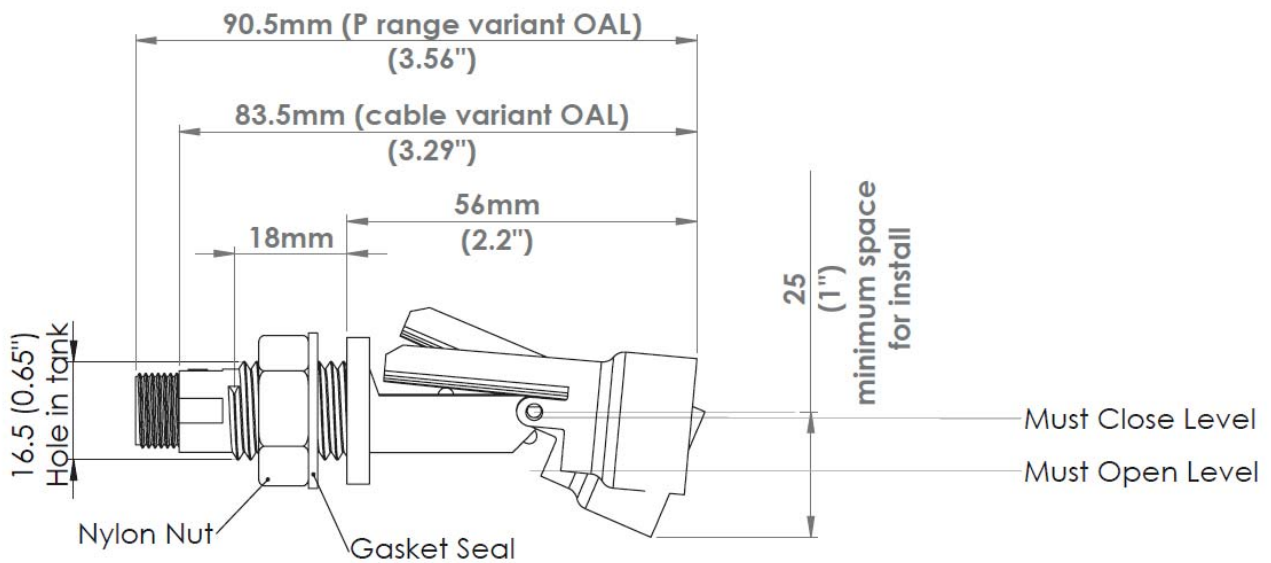


www.cynergy3.com

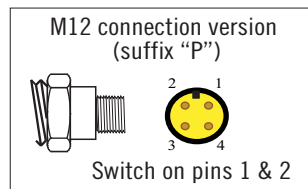
# LLF40 Series

## Compact Internal Fitting, Low Level, Low S.G. Float Switch

### Mechanical Dimensions



### Electrical Connections



Cynergy3 Components Ltd.  
7 Cobham Road  
Ferndown Industrial Estate  
Wimborne, Dorset BH21 7PE  
Telephone +44 (0) 1202 897969  
Email: sales@cynergy3.com

ISO9001 CERTIFIED

www.cynergy3.com