

# Ultimate Miniature Size Connector with Integral Cable Clamp Cap

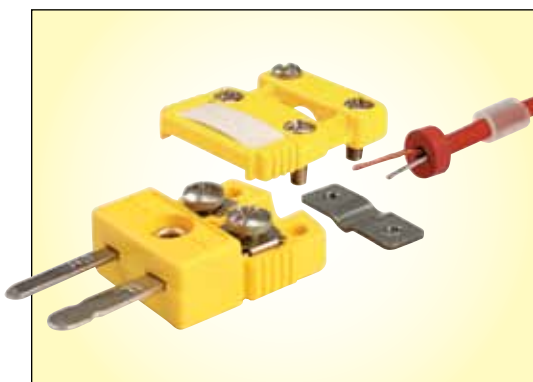


## SMPW-CC Series

- ✓ Integral Cap+Cable Clamp
- ✓ Strain Relief With Grommet
- ✓ Captive Cover Screws
- ✓ Captive Clamp Screws
- ✓ Accepts Stranded or Solid Wire as Small as 40 AWG Up to 20 AWG, or Overbraided, TWSH, Armored Up to 5.5 mm (0.22") OD
- ✓ Contact Washers for Quick Connect Wire Termination
  - Use Straight Wire
  - No Wire Loop Required
- ✓ Internal Wire Divider
- ✓ Write-On Window
- ✓ Combination Phillips/Slot Screws
- ✓ 100% Top Side Assembly
- ✓ Glass Filled Nylon Rated From -29 to 180°C (-20 to 356°F)

*Note: Minor discoloration of connector may occur between 150°C (302°F) and 180°C (356°F). Electrical properties are not affected.*

**Reduce Assembly Time From 3 Minutes to Less Than 1 Minute!**



**Incredible Labor Saver!  
No Loose Screws, All Cover Screws Are Captive!**

Terminate straight wire, wire loop not necessary.

Back plate 1/8" supplied adjustable to hold 40 AWG to 5.5 mm (0.22") OD.

Grommets included, For grommet options visit us online.

Contact washers.

All screws are combination head.

SMPW-CC-K-M shown larger than actual size.

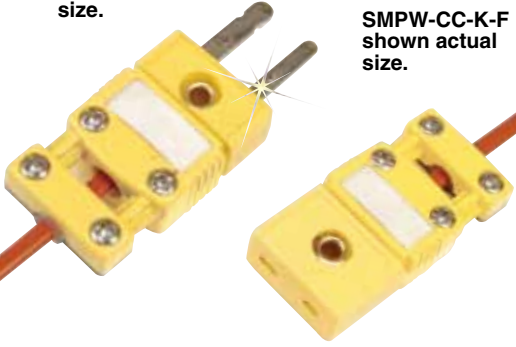
Actual size.

SMPW-CC-K-F shown larger than actual size.

**Side Load Equal to Stainless Steel**

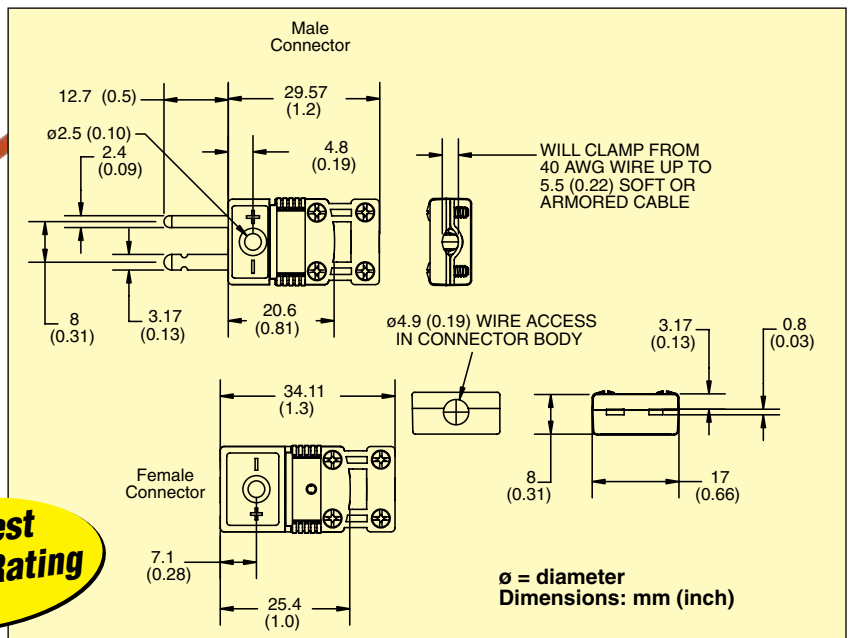
SMPW-CC-K-M shown actual size.

SMPW-CC-K-F shown actual size.



Discount Schedule	
1-10 .....	Net
11-49 .....	5%
50-99 .....	10%
100-999 .....	15%
1000-4999 .....	20%
5000 and over.....	25%

**Pull Test Highest Rating**



**To Order**

Alloy Code	Compensating Alloy Used in Connector		ANSI Color Code	Glass-Filled Nylon Model Number	
	(+)	(-)		Male	Female
<b>K</b>	CHROME $\Omega$	ALOME $\Omega$	Yellow	<b>SMPW-CC-K-M</b>	<b>SMPW-CC-K-F</b>
<b>T</b>	Copper	Constantan	Blue	<b>SMPW-CC-T-M</b>	<b>SMPW-CC-T-F</b>
<b>J</b>	Iron	Constantan	Black	<b>SMPW-CC-J-M</b>	<b>SMPW-CC-J-F</b>
<b>E</b>	CHROME $\Omega$	Constantan	Purple	<b>SMPW-CC-E-M</b>	<b>SMPW-CC-E-F</b>
<b>R/S</b>	Copper	RNX/SNX	Green	<b>SMPW-CC-R/S-M</b>	<b>SMPW-CC-R/S-F</b>
<b>C</b>	CPX	CNX	Red	<b>SMPW-CC-C-M</b>	<b>SMPW-CC-C-F</b>
<b>U</b>	Copper	Copper	White	<b>SMPW-CC-U-M</b>	<b>SMPW-CC-U-F</b>
<b>N</b>	OMEGA-P $\Omega$	OMEGA-N $\Omega$	Orange	<b>SMPW-CC-N-M</b>	<b>SMPW-CC-N-F</b>

Ordering Example: SMPW-CC-K-M clamp cap, Type K, flat pin male.

**Quick Assembly Tool!**

SMP-CC-TOOL shown smaller than actual size.

