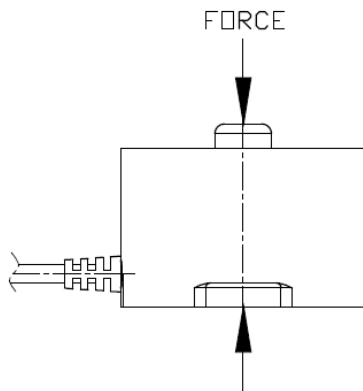
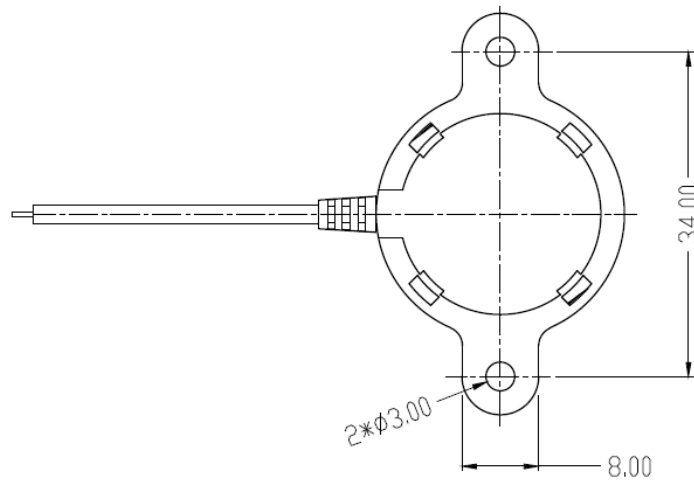
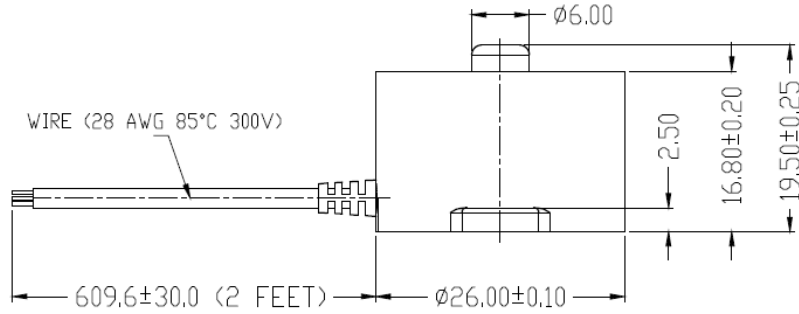


DIMENSIONS

FC2201:
FC2211:
FC2231:

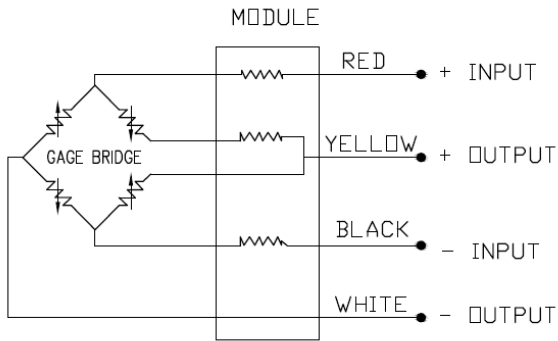


WIRE NOTE:

P/N	WIRE CONNECTIONS
FC2201 FC2211	4 CORE WIRE (28 AWG 85°C 300V)
	1: YELLOW: +OUTPUT
	2: WHITE: -OUTPUT
	3: RED: +INPUT
FC2231	3 CORE WIRE (28 AWG 85°C 300V)
	1: YELLOW: +OUTPUT
	2: RED: +INPUT
	3: BLACK: COMMON

CONNECTIONS

FC2201:
FC2211:
MILLIVOLT OUTPUT VERSION



FC2231:
AMPLIFIED OUTPUT VERSION

