

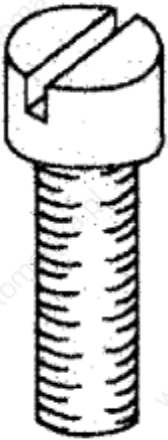
**QUINT-PS ...AC/24DC/20...**



Input: 3 x 168 to 240 V AC or 3 x 325 V to 460 V AC  
 Output: 24 V DC/20 A

Housing width 240

[g]



M 2.5



8

	(IEC) [mm <sup>2</sup> ]	rigid solid	flexible stranded	AWG
Input		0.2-2.5	0.2-2.5	24-14
Output		0.2-4	0.2-4	24-10

Description	Type	Order No.	Pcs. Pkt.
<b>Compact power supply,</b> primary switched-mode	<b>QUINT-PS-3x207AC/24DC/20</b>	<b>29 39 45 4</b>	1
	<b>QUINT-PS-3x207AC/24DC/20/F</b>	<b>29 39 55 1</b>	1
	<b>QUINT-PS-3x400AC/24DC/20</b>	<b>29 39 46 7</b>	1
	<b>QUINT-PS-3x400AC/24DC/20/F</b>	<b>29 39 56 4</b>	1

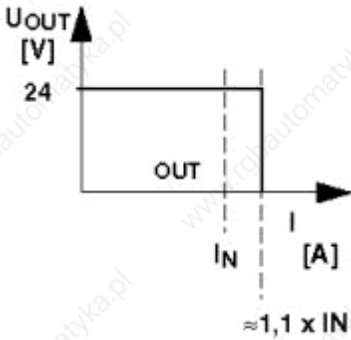
Courtesy of Steven Engineering, Inc. • 230 Ryan Way, South San Francisco, CA, 94080-6370 • Main Office: (650) 588-9200 • Outside Local Area: (800) 258-9200 • www.stevenengineering.com

Technical data	QUINT-PS-3x207AC/24DC/...		QUINT-PS-3x400/24 DC/...	
	...20	...20/F	...20	...20/F
<b>Input data</b>				
Input voltage	<b>3 x 207 V AC</b>	<b>3 x 207 V AC</b>	<b>3 x 400 V AC</b>	<b>3 x 400 V AC</b>
– Input voltage range	168-240 V AC	168-240 V AC	325-460 V AC	325-460 V AC
– Input voltage range short-term (1 min.)	165-250 V AC	165-250 V AC	320-500 V AC	150-270 V AC
Direct current voltage	126-186 V DC	126-186 V DC	253-373 V DC	253-373 V DC
Frequency	47-63 Hz	47-63 Hz	47-63 Hz	47-63 Hz
Inrush surge current	< 36 A	< 36 A	< 19 A	< 19 A
Current consumption	approx. 3.6 A	approx. 2.4 A	approx. 1.8 A	approx. 1.1 A
Input fuse	externally via circuit breaker 6 A, characteristic B			
Power factor	0.4	0.8	0.4	0.8
Power failure bypass	> 20 ms	> 20 ms	> 20 ms	> 20 ms
Surge voltage protection	varistor	varistor	varistor	varistor
<b>Output data</b>				
Nominal output voltage $U_N$ / Nominal output current $I_N$	24 V DC $\pm$ 1 % / 20 A			
Setting range	22.5-28.5 V DC (>24 V const. capacity)			
Starting delay – ohmic load / capacitive load	approx. 100 ms			
Switching on after applying mains voltage	approx. 2.5 s			
Starting of capacitive loads	unrestricted			
Protection against internal surge voltages	yes			
Function display	LED			
Connection in parallel	yes, for assembling redundant systems and increasing efficiency			
Current limitation	1.1 x $I_N \pm$ 5 %			
Control deviation on load change:	static 10-90 %	< 1 %		
	dynamic 10-90 %	< 5 %		
System deviation with change of input voltage $\pm$ 10 %	< 0.1 %			
Ascent time of $U_{out}$ (10-90 %)	100 ms			
Residual ripple / peak switching voltages (1.2 MHz bandwidth)	150 mV <sub>pp</sub> / 100 mV <sub>pp</sub>			
Max. power dissipation	idling	approx. 7 W		
	nominal load	approx. 92 W		
<b>Climatic data</b>				
Ambient temperature (operation / storage)	-20 °C to +50 °C / -25 °C to +85 °C			
Humidity	up to 95 % at 25 °C, no condensation			
<b>General data</b>				
Isolation voltage input/output	3 kV (routine test)			
Electrical safety	EN 60950/VDE 0805, UL 1950/CSA C22.2 No.950, CSA C22.2 No.234, prEN 50178/DIN EN 50178/VDE 0160, UL 508C, CSA C22.2 No. 14-M91			
Reliable separation	DIN VDE 0100-410, DIN VDE 0106-101			
Electromagnetic compatibility	<b>C</b> in compliance with EMC guideline 89/336/EEC			
Installation position	on horizontal mounting rail NS 35/7.5 acc. to EN 50 045			

Mounting	spacing:	- vertically with distance $\geq 10$ cm		
		- horizontally adjacent		
Type of connection		screw/plug connection COMBICON		
Type of protection / Class of protection		IP 20 / I with PE connection		
MTBF (Mean Time Between Failure)		> 500 000 h acc. to SN 29 500		
Efficiency		> 90 %		
Weight		approx. 2.3 kg	approx. 2.5 kg	approx. 2.3 kg    approx. 2.5 kg
Limitation of mains harmonic current waves acc. to EN 61000-3-2		no	yes	no            yes

**Output characteristics QUINT-PS.../20**

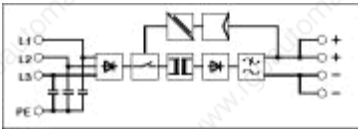
The device cuts back the voltage if the current limit of  $1.1 \times I_N$  is exceeded. The current remains constant at approx.  $1.1 \times I_N$ . The power is restricted in this fashion. This guarantees that down-circuit fuses are blown selectively.



**Type of housing**  
**Steel plate, sealed**  
 Side parts **ABS V0**  
 see [product-line info](#)  
 color: green

**Torque value of terminals, see [product-line info](#).**  
**The rated cross section (see [product-line info](#)) refers to untreated conductors without ferrules.**

**Block diagram**



Courtesy of Steven Engineering, Inc. • 230 Ryan Way, South San Francisco, CA, 94080-6370 • Main Office: (650) 588-9200 • Outside Local Area: (800) 258-9200 • www.stevenengineering.com