

3.5" Compact Floppy Disk Drive D359M3D, D353M3D 1 Inch Height Type

OUTLINE

These are 3.5-inch standard model FDDs. This one-inch height FDD satisfies the error rate and reliability demanded for computers, and it is characterized with a very low cost based on MITSUMI's through research design.



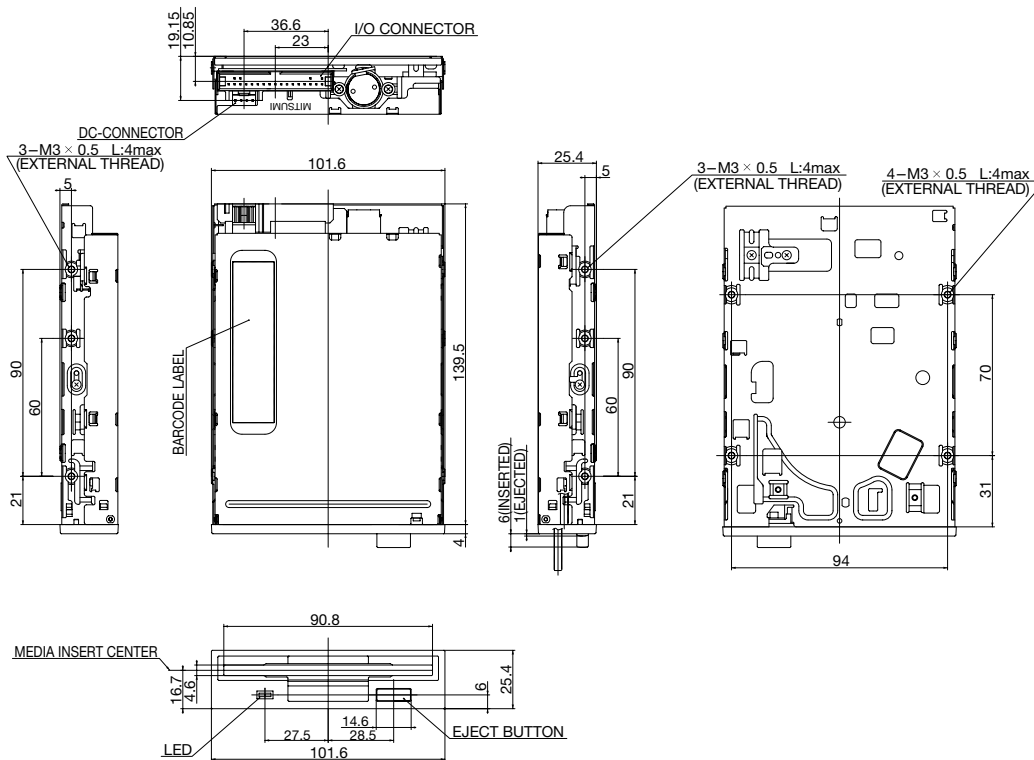
FEATURES

1. Newly developed motors with enhanced reliability coming with newly developed head.
2. Electromagnetic field noise-resistant structural design.
3. Excellent noise resistance owing to the mounting of magnetic heads having the latest structure.
4. We meet the requirements of our customer's specifications.

SPECIFICATIONS

Item		Unit	D359M3D		D353M3D		
			1M Mode	2M Mode	1M Mode	1.6M Mode	2M Mode
Capacity	Unformatted	M bytes	1	2	1	1.6	2
	Formatted (Sector/Track)	K bytes	737.28 (9)	1,474.56 (18)	737.28 (9)	1,182.72 (15)	1,474.56 (18)
Data Transfer Rate		K bit/sec.	250	500	250	500	500
Innermost Recording Density (Side1)		bpi	8,717	17,434	8,717	14,184	17,434
Number of Tracks		—	160	160	160	154	160
Track Density		tpi	135	135	135	135	135
Disk Rotational Speed		rpm	300	300	300	360	300
Track to Track Access Time		mS	3	3	3	3	3
Average Access Time		mS	94	94	94	91	94
Settling Time (max.)		mS	15				
DC Power Supply		V	5				
Power Consumption	Operating	W (typ.)	1.6				
	Stand-by	W (typ.)	0.04				
Environmental Conditions	Temperature	°C	5~52 (Operating)/-40~65 (Storage)				
	Humidity	%RH	20~80 (Operating)/10~90 (Storage)				
	max.Wet Bulb	°C	29 (Operating)/40 (Storage)				
MTBF (min.)		(H)	30,000P.O.H.				
MTTR (max.)		min	30				
Error Rate	Soft Read Error	/bit	10 ⁻⁹				
	Hard Read Error	/bit	10 ⁻¹²				
	Seek Error	/seek	10 ⁻⁶				
Dimensions (H×W×D)		mm	25.4×101.6×144				
Weight		g (typ.)	330				

DIMENSIONS



Unit : mm

- The figures are at MFM. At FM, the memory capacity, the data transfer speed and the memory density will be reduced to half the figures.
- These specification are as of July 19, 2002. These are subject to change without prior notice for further improvement.