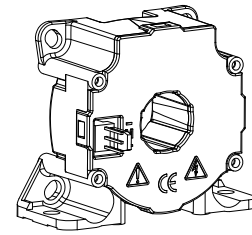


Current Transducer LF 205-S/SP3

For the electronic measurement of currents: DC, AC, pulsed..., with galvanic separation between the primary circuit and the secondary circuit.



$I_{PN} = 100 \text{ A}$



Electrical data

I_{PN}	Primary nominal RMS current	100	A				
I_{PM}	Primary current, measuring range	0 ... ± 200	A				
R_M	Measuring resistance @	$T_A = 70 \text{ }^\circ\text{C}$		$T_A = 85 \text{ }^\circ\text{C}$			
		$R_{M \min}$	$R_{M \max}$	$R_{M \min}$	$R_{M \max}$		
		with $\pm 12 \text{ V}$	@ $\pm 200 \text{ A}_{\max}$	0	95	15	94
			@ $\pm 420 \text{ A}_{\max}$	0	40	15	39
	with $\pm 15 \text{ V}$	@ $\pm 200 \text{ A}_{\max}$	16	123	47	122	
		@ $\pm 420 \text{ A}_{\max}$	16	55	47	54	
I_{SN}	Secondary nominal RMS current	100	mA				
N_p/N_s	Turns ratio	1 : 1000					
U_C	Supply voltage (+5 %)	$\pm 12 \dots 15$	V				
I_C	Current consumption @ $\pm 15 \text{ V}$	$17 + I_s$	mA				

Accuracy - Dynamic performance data

ϵ_{tot}	Total error @ I_{PN} , $T_A = 25 \text{ }^\circ\text{C}$	± 0.5	%
ϵ_L	Linearity error	< 0.1	%
I_O	Offset current @ $I_p = 0$, $T_A = 25 \text{ }^\circ\text{C}$	Typ	Max
			± 0.2
I_{OM}	Magnetic offset current ¹⁾ @ $I_p = 0$ and specified R_M , after an overload of $3 \times I_{PN}$		± 0.1
I_{OT}	Temperature variation of I_O $-40 \text{ }^\circ\text{C} \dots +85 \text{ }^\circ\text{C}$	± 0.25	± 0.65
t_{D10}	Delay time to 10 % of I_{PN}	< 500	ns
t_{D90}	Delay time ¹⁾ to 90 % of I_{PN}	< 1	μs
BW	Frequency bandwidth (-3 dB)	DC ... 100	kHz

General data

T_A	Ambient operating temperature	$-40 \dots +85$	$^\circ\text{C}$
T_{Ast}	Ambient storage temperature	$-40 \dots +90$	$^\circ\text{C}$
R_S	Resistance of secondary winding @ $T_A = 70 \text{ }^\circ\text{C}$	10	Ω
		@ $T_A = 85 \text{ }^\circ\text{C}$	11
m	Mass	78	g
	Standards	EN 50178: 1997	

Notes: ¹⁾ The result of the coercive force of the magnetic circuit

²⁾ For a $di/dt = 100 \text{ A}/\mu\text{s}$.

Features

- Closed loop (compensated) current transducer using the Hall effect
- Insulating plastic case recognized according to UL 94-V0.

Special features

- $I_{PN} = 100 \text{ A}$
- $I_{PM} = 0 \dots \pm 200 \text{ A}$
- $N_p/N_s = 1 : 1000$.

Advantages

- Excellent accuracy
- Very good linearity
- Low temperature drift
- Optimized response time
- Wide frequency bandwidth
- No insertion losses
- High immunity to external interference
- Current overload capability.

Applications

- AC variable speed drives and servo motor drives
- Static converters for DC motor drives
- Battery supplied applications
- Uninterruptible Power Supplies (UPS)
- Switched Mode Power Supplies (SMPS)
- Power supplies for welding applications.

Application domain

- Industrial.

Current Transducer LF 205-S/SP3

Insulation coordination

U_d	RMS voltage for AC insulation test, 50/60 Hz, 1 min	3.5	kV
U_{Ni}	Impulse withstand voltage 1.2/50 μ s	8.8	kV
U_e	Partial discharge extinction RMS voltage @ 10 pC	> 2	kV
		Min	
d_{Cp}	Creepage distance	11	mm
d_{Cl}	Clearance	10.2	mm
CTI	Comparative Tracking Index (group IIIa)	175	

Applications examples

According to EN 50178 and IEC 61010-1 standards and following conditions:

- Over voltage category OV 3
- Pollution degree PD2
- Non-uniform field

	EN 50178	IEC 61010-1
d_{Cp}, d_{Cl}, U_{Ni}	Rated insulation voltage	Nominal voltage
Basic insulation	500 V	500 V
Reinforced insulation	250 V	250 V

Safety

This transducer must be used in limited-energy secondary circuits according to IEC 61010-1.



This transducer must be used in electric/electronic equipment with respect to applicable standards and safety requirements in accordance with the manufacturer's operating instructions.



Caution, risk of electrical shock

When operating the transducer, certain parts of the module can carry hazardous voltage (eg. primary busbar, power supply).

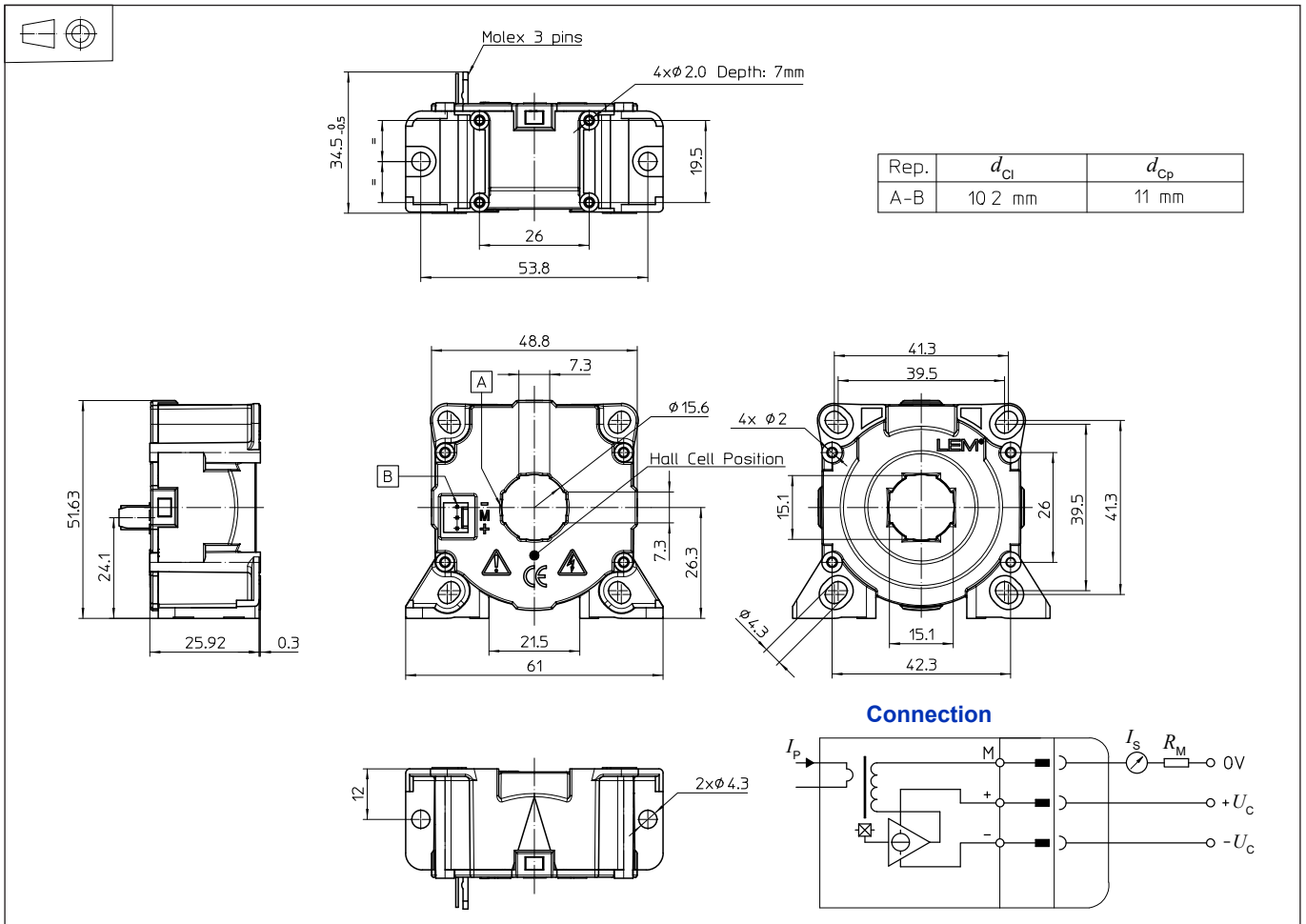
Ignoring this warning can lead to injury and/or cause serious damage.

This transducer is a build-in device, whose conducting parts must be inaccessible after installation.

A protective housing or additional shield could be used.

Main supply must be able to be disconnected.

Dimensions LF 205-S/SP3 (in mm)



Mechanical characteristics

- General tolerance ± 0.2 mm
- Transducer fastening
 - Vertical position
 - 2 holes $\varnothing 4.3$ mm
 - 2 steel screws M4
 - Recommended fastening torque 1.5 N·m
 - Or
 - 4 holes $\varnothing 2.0$ mm
 - depth: 7 mm
 - 4 screws PTKA 25
 - length: 6 mm
 - Horizontal position
 - 4 holes $\varnothing 4.3$ mm
 - 4 steel screws M4
 - Recommended fastening torque 1.5 N·m
 - Or
 - 4 holes $\varnothing 2.0$ mm
 - 4 screws PTKA 25
 - min length: 11.5 mm with thickness of fixed plate
 - Recommended fastening torque 0.7 N·m
- Primary through-hole $\varnothing 15.5$ mm
- Connection of secondary
 - Molex 6410
 - 3 Tin plated pins

Remarks

- I_s is positive when I_p flows in the direction of the arrow.
- Temperature of the primary conductor should not exceed 100 °C.
- Installation of the transducer must be done unless otherwise specified on the datasheet, according to LEM Transducer Generic Mounting Rules. Please refer to LEM document N°ANE120504 available on our Web site: <https://www.lem.com/en/file/3137/download/>.
- Dynamic performances (di/dt and delay time) are best with a single bar completely filling the primary hole.