



3650  
3652

## Optically-Coupled Linear ISOLATION AMPLIFIERS

### FEATURES

- **BALANCED INPUT**
- **LARGE COMMON-MODE VOLTAGES**  
 $\pm 2000\text{V}$  Continuous  
140dB Rejection
- **ULTRA LOW LEAKAGE**  
 $0.35\mu\text{A}$  max at 240V/60Hz  
1.8pF Leakage Capacitance
- **EXCELLENT GAIN ACCURACY**  
0.05% Linearity  
0.05%/1000Hrs Stability
- **WIDE BANDWIDTH**  
15kHz  $\pm 3\text{dB}$   
1.2V/ $\mu\text{s}$  Slew Rate

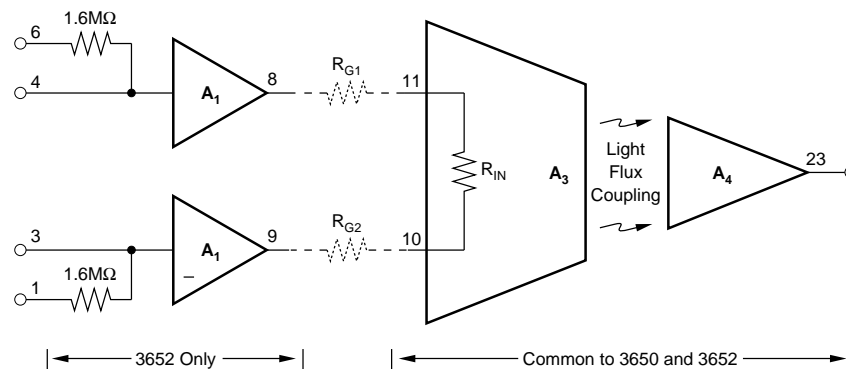
### APPLICATIONS

- **INDUSTRIAL PROCESS CONTROL**
- **DATA ACQUISITION**
- **INTERFACE ELEMENT**
- **BIOMEDICAL MEASUREMENTS**
- **PATIENT MONITORING**
- **TEST EQUIPMENT**
- **CURRENT SHUNT MEASUREMENT**
- **GROUND-LOOP ELIMINATION**
- **SCR CONTROLS**

### DESCRIPTION

The 3650 and 3652 are optically coupled integrated circuit isolation amplifiers. Prior to their introduction commercially available isolation amplifiers had been modular or rack mounted devices using transformer coupled modulation demodulation techniques. Compared to these earlier isolation amplifiers, the 3650 and 3652 have the advantage of smaller size,

lower cost, wider bandwidth and integrated circuit reliability. Also, because they use a DC analog modulation technique as opposed to a carrier-type technique, they avoid the problems of electromagnetic interference (both transmitted and received) that most of the modular isolation amplifiers exhibit.



International Airport Industrial Park • Mailing Address: PO Box 11400 • Tucson, AZ 85734 • Street Address: 6730 S. Tucson Blvd. • Tucson, AZ 85706  
Tel: (520) 746-1111 • Twx: 910-952-1111 • Cable: BBRCORP • Telex: 066-6491 • FAX: (520) 889-1510 • Immediate Product Info: (800) 548-6132

# SPECIFICATIONS

At +25°C and ±15VDC supply voltages, unless otherwise specified.

MODEL	3650MG/HG <sup>(1)</sup>	3650JG	3650KG	3652MG/HG <sup>(1)</sup>	3652JG
<b>ISOLATION</b>					
Isolation Voltage Rated Continuous, min Tested Voltage, min, 10s Duration	2000Vp or VDC 5000Vp				
Isolation Mode Rejection, G = 10 DC 60Hz, 5000Ω Source Unbalance Leakage Current, 240V/60Hz Isolation Impedance Capacitance Resistance	140dB 120dB 0.35μA, max 1.8pF 10 <sup>12</sup> Ω				
<b>GAIN</b>					
Gain Equation for Current Sources for Voltage Sources	$G_1 = \frac{10^6 \text{V/Amp}}{R_{G1} + R_{G2} + R_{IN}} \text{ V/V}$			$G_1 = \frac{1.0057 \times 10^6 \text{V/Amp}^{(2)}}{R_{G1} + R_{G2} + R_{IN} + R_O} \text{ V/V}$	
Input Resistance, R <sub>IN</sub> , max Buffer Output Impedance, R <sub>O</sub>	25Ω Not Applicable			25Ω 90Ω ±30Ω	
Gain Equation Error, max <sup>(3)</sup> Gain Nonlinearity Gain vs Temperature Gain vs Time	1.5% ±0.05% typ ±0.2% max 300ppm/°C	0.5% ±0.03% typ ±0.1% max 100ppm/°C ±0.05%/1000hrs	0.5% ±0.02% typ ±0.05% max 50ppm/°C	1.5% <sup>(4)</sup> ±0.05% typ ±0.2% max 300ppm/°C	0.5% <sup>(4)</sup> ±0.05% typ ±0.1% max 200ppm/°C ±0.05%/1000hrs
Frequency Response Slew Rate ±3dB Frequency Settling Time to ±0.01% to ±0.1%	0.7V/μs min, 1.2V/μs typ 15kHz 400μs 200μs				
<b>INPUT STAGE<sup>(5)</sup></b>					
Input Offset Voltage at 25°C, max <sup>(2)</sup> vs Temperature, max vs Supply vs Time	±5mV ±25μV/°C	±1mV ±10μV/°C 100μV/V 50μV/1000hrs	±0.5mV ±5μV/°C	±5mV ±50μV/°C	±2mV ±25μV/°C 100μV/V 100μV/1000hrs
Input Bias Current at 25°C vs Temperature vs Supply	10nA typ, 40nA max 0.3nA/°C 0.2nA/V			10pA typ, 50pA max Doubles Every +10°C 1pA/V	
Input Offset Current vs Temperature vs Supply	Effects Included In Output Offset			10pA Doubles Every +10°C 1pA/V	
Input Impedance Differential Common-Mode	"R <sub>IN</sub> " = 25Ω max 10 <sup>12</sup> Ω			10 <sup>11</sup> Ω 10 <sup>11</sup> Ω	
Input Noise Voltage, 0.05Hz to 100Hz 10Hz to 10kHz	4μVp-p 4μVrms			8μVp-p 5μVrms	
Input Voltage Range Common-Mode, Linear Operation, w/o damage, at +, - at +I <sub>R</sub> , -I <sub>R</sub> at +I <sub>R</sub> , -I <sub>R</sub>	±( V  - 5)V ±V Not Applicable <sup>(6)</sup> Not Applicable <sup>(6)</sup>			±( V  - 5) ±V ±300V for 10ms <sup>(7)</sup> ±3000V for 10ms <sup>(7)</sup>	
Differential, w/o damage, at +, - Differential, w/o damage, at +I <sub>R</sub> , -I <sub>R</sub> Differential, w/o damage, at +I <sub>R</sub> , -I <sub>R</sub>	±V Not Applicable Not Applicable			±V ±600V for 10ms <sup>(7)</sup> ±6000V for 10ms <sup>(7)</sup>	
Common-mode Rejection, 60Hz	90dB at 60Hz, 5kΩ Imbalance			80dB at 60Hz, 5kΩ Imbalance	
Power Supply (Input Stage Only) Voltage (at "+V" and "-V") Current Quiescent with ±10V Output <sup>(7)</sup>	±8V to ±18V ±1.2mA <sup>(8)</sup> +6.5mA or -6.5mA, typ +12mA or -12mA, max			±8V to ±18V ±3mA <sup>(8)</sup> +8.5mA or -8.5mA, typ +16mA, or -16mA, max	

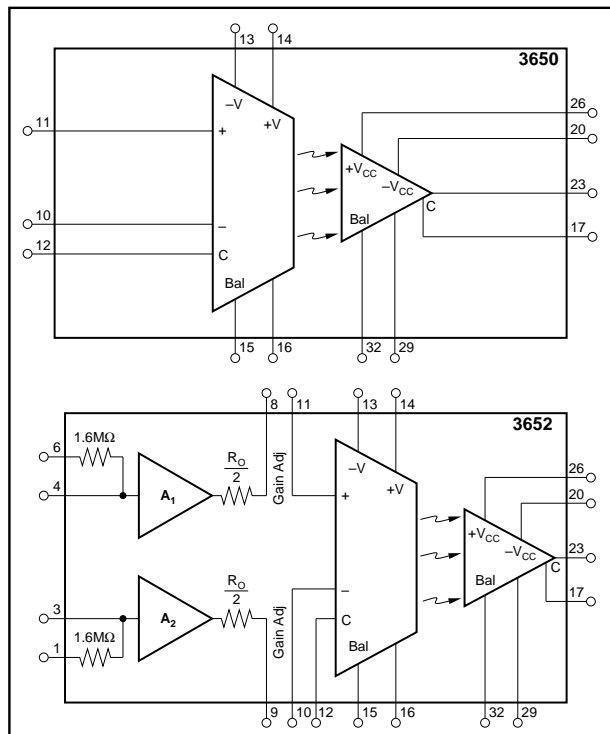
# SPECIFICATIONS (CONT)

At +25°C and ±15VDC supply voltages, unless otherwise specified.

MODEL	3650MG/HG <sup>(1)</sup>	3650JG	3650KG	3652MG/HG <sup>(1)</sup>	3652JG
<b>OUTPUT STAGE</b>					
Output Voltage, min Output Current, min Output Offset Voltage at 25°C, max <sup>(3)</sup> vs Temperature, max vs Supply vs Time	±25mV ±900µV/°C	±10mV ±450µV/°C ±500µV/V ±1mV/1000hrs	±10mV ±300µV/°C	±25mV ±900µV/°C ±500µV/V ±1mV/1000hrs	±10mV ±450µV/°C
Output Noise Voltage 0.05Hz to 100Hz 10Hz to 1kHz		50µVp-p 65µVrms		50µVp-p 65µVrms	
Power Supply (Output Stage Only) Voltage ("+"V <sub>CC</sub> " and "-V <sub>CC</sub> ") Current Quiescent with ±5mA Output, max			±8V to ±18V ±2.3mA typ, ±6mA max ±11mA		
<b>TEMPERATURE<sup>(9)</sup></b>					
Specification Operating Storage			0°C to +85°C -40°C to +100°C -55°C to +125°C		

NOTES: (1) All electrical and mechanical specifications of the 3650MG and 3652MG are identical to the 3650HG and 3652HG, respectively, except that the following specifications apply to the 3650MG and 3652MG: (a) Isolation test voltage duration increased from 10 seconds minimum to 60 seconds minimum; (b) Input offset voltage at 25°C, max: ±10mV; vs temperature max: ±100µV/°C; (c) Output offset voltage at 25°C, max; ±50mV; vs temperature max; ±1.8mV/°C. (2) If used as 3650, see Installation and Operating Instructions. (3) Trimmable to zero. (4) Gain error terms specified for inputs applied through buffer amplifiers (i.e., ±1 or ±1<sub>r</sub> pins). (5) Input stage specifications at +I and -I inputs for 3652 unless otherwise noted. (6) Maximum safe input current at either input is 10mA. (7) Continuous rating is 1/3 pulse rating. (8) Load current is drawn from one supply lead at a time; other supply current at quiescent level. For 3652 add 0.2mA/V of positive CMV. (9) dT/dt < 1°C/minute below 0°C, and long-term storage above 100°C is not recommended. Also limit the repeated thermal cycles to be within the 0°C to +85°C temperature range.

## PIN CONFIGURATIONS



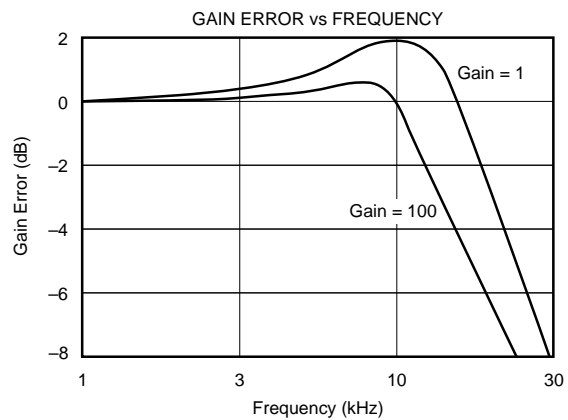
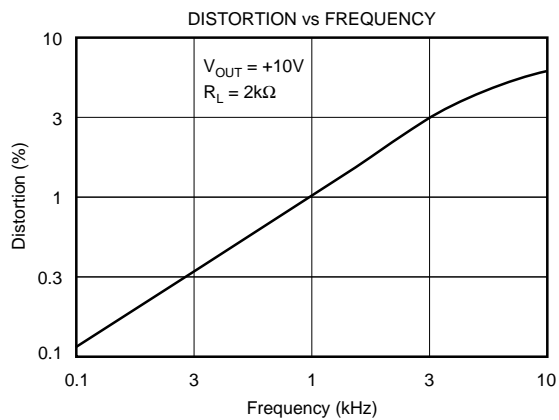
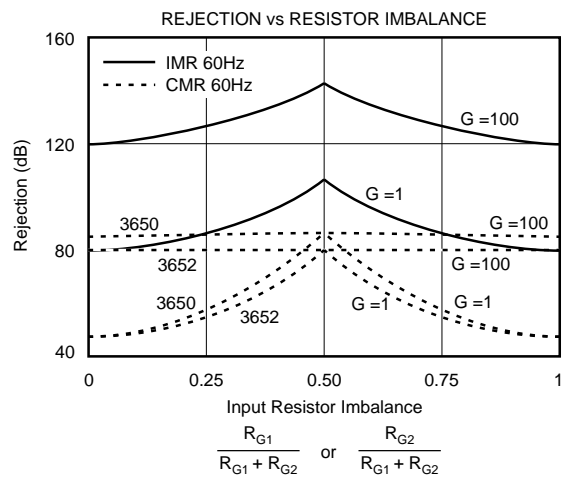
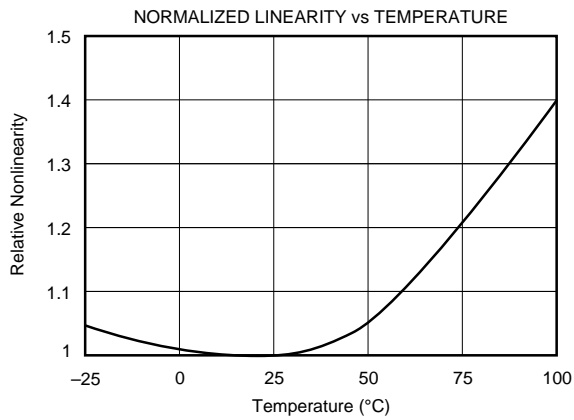
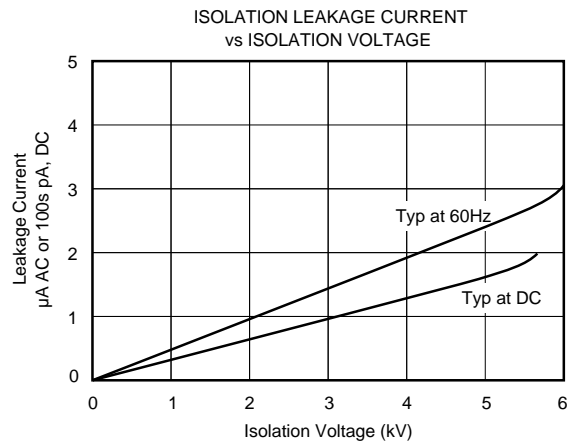
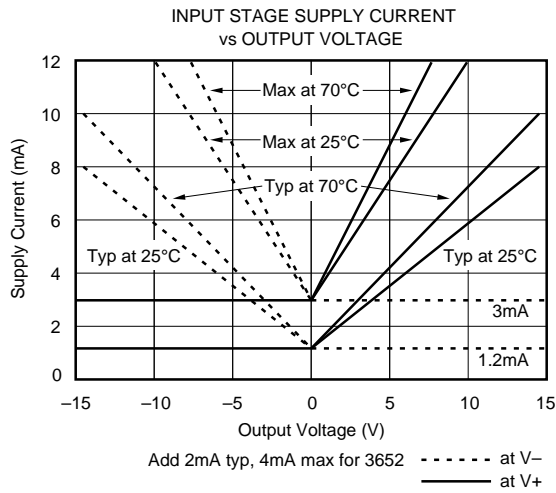
## PACKAGE INFORMATION<sup>(1)</sup>

MODEL	PACKAGE	PACKAGE DRAWING NUMBER
3650	32-Pin DIP	77A
3652	32-Pin DIP	77A

NOTE: (1) For detailed drawing and dimension table, please see end of data sheet, or Appendix D of Burr-Brown IC Data Book.

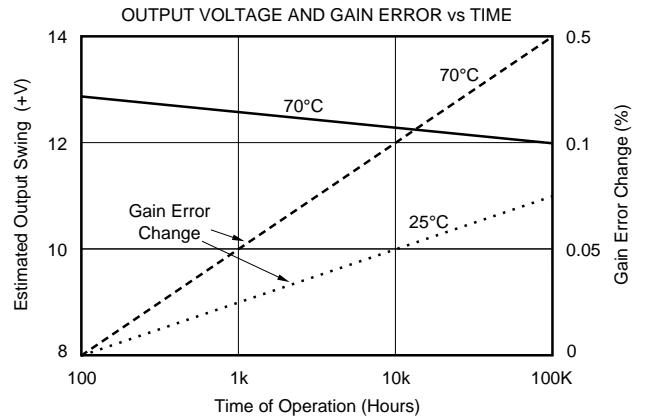
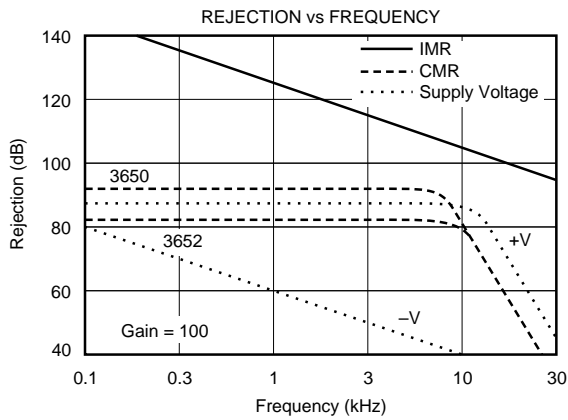
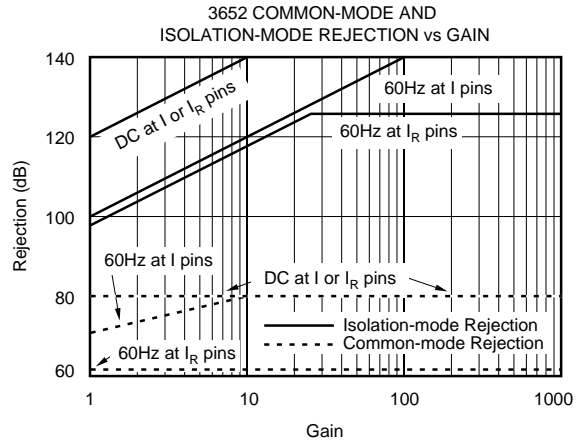
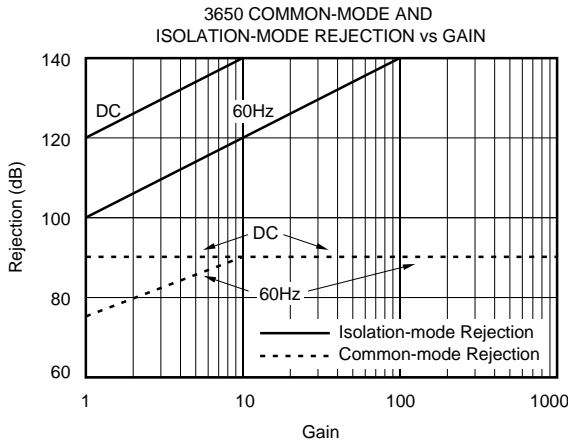
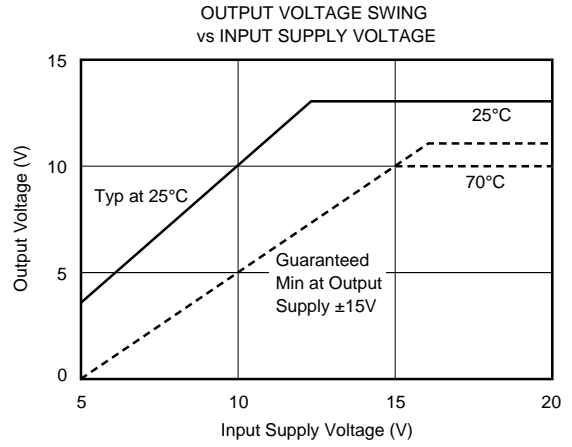
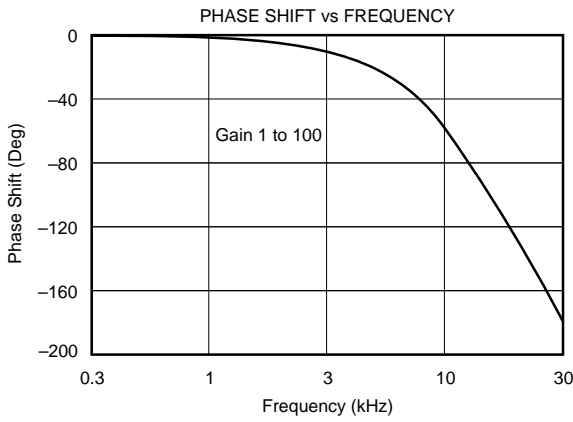
# TYPICAL PERFORMANCE CURVES

Typical at +25°C and ±15VDC power supplies, unless otherwise noted.



# TYPICAL PERFORMANCE CURVES (CONT)

Typical at +25°C and ±15VDC power supplies, unless otherwise noted.



# DEFINITIONS

## ISOLATION-MODE VOLTAGE, $V_{ISO}$

The isolation-mode voltage is the voltage which appears across the isolation barrier, i.e., between the input common and the output common. (See Figure 1.)

Two isolation voltages are given in the electrical specifications: “rated continuous” and “test voltage”. Since it is impractical on a production basis to test a “continuous” voltage (infinite test time is implied), it is a generally accepted practice to test at a significantly higher voltage for some reasonable length of time. For the 3650 and 3652, the “test voltage” is equal to 1000V plus two times the “rated continuous” voltage. Thus, for a continuous rating of 2000V, each unit is tested at 5000V.

## COMMON-MODE VOLTAGE, $V_{CM}$

The common-mode voltage is the voltage midway between the two inputs of the amplifier measured with respect to input common. It is the algebraic average of the voltage applied at the amplifiers’ input terminals. In the circuit in Figure 1,  $(V_+ + V_-)/2 = V_{CM}$ . (NOTE: Many applications involve a large system “common-mode voltage.” Usually in such cases the term defined here as “ $V_{CM}$ ” is negligible and the system “common-mode voltage” is applied to the amplifier as “ $V_{ISO}$ ” in Figure 1.)

## ISOLATION-MODE REJECTION

The isolation-mode rejection is defined by the equation in Figure 1. The isolation-mode rejection is not infinite because there is some leakage across the isolation barrier due to the isolation resistance and capacitance.

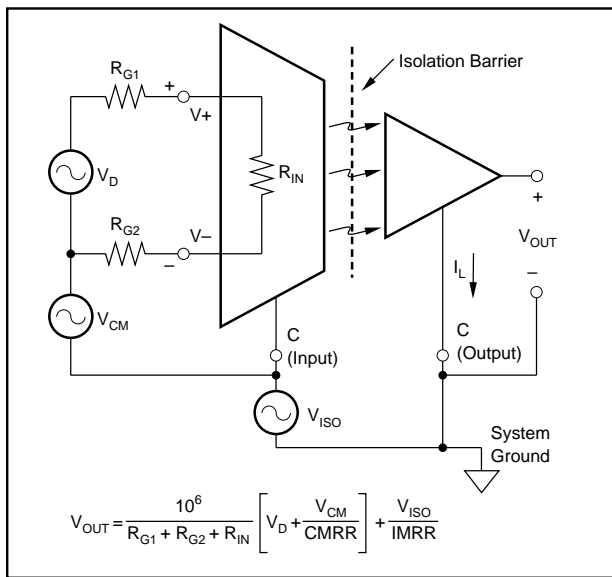


FIGURE 1. Illustration of Isolation-Mode and Common-Mode Specifications.

NOTE: (1) The only effect of decreased LED output is a slight decrease in full scale swing capability. See Typical Performance Curves.

## NONLINEARITY

Nonlinearity is specified to be the peak deviation from a best straightline expressed as a percent of peak-to-peak full scale output (i.e.  $\pm 10\text{mV}$  at  $20\text{V}_{p-p} \approx 0.05\%$ ).

# THEORY OF OPERATION

Prior to the introduction of the 3650 family optical isolation had not been practical in linear circuits. A single LED and photodiode combination, while useful in a wide range of digital isolation applications, has fundamental limitations—primarily nonlinearity and instability as a function of time and temperature.

The 3650 and 3652 use a unique technique to overcome the limitations of the single LED and photodiode isolator. Figure 2 is an elementary equivalent circuit for the 3650, which can be used to understand the basic operation without considering the cluttering details of offset adjustment and biasing for bipolar operation.

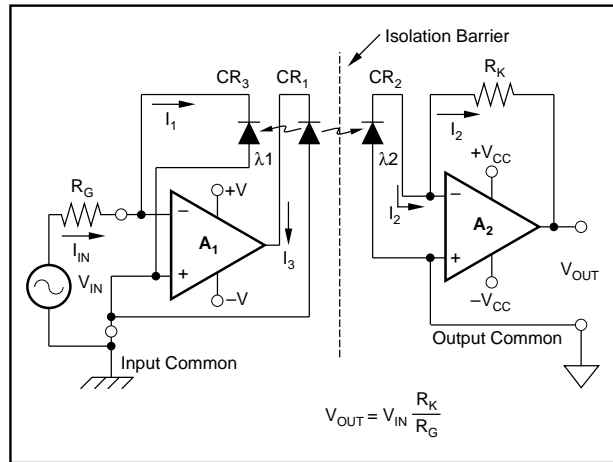


FIGURE 2. Simplified Equivalent Circuit of Linear Isolator.

Two matched photodiodes are used—one in the input ( $CR_3$ ) and one in the output stage ( $CR_2$ )—to greatly reduce nonlinearities and time-temperature instabilities. Amplifier  $A_1$ , LED  $CR_1$ , and photodiode  $CR_3$  are used in a negative feedback configuration such that  $I_1 = I_{IN} R_G$  (where  $R_G$  is the user supplied gain setting resistor). Since  $CR_2$  and  $CR_3$  are closely matched, and since they receive equal amounts of light from the LED  $CR_1$  (i.e.,  $\lambda_1 = \lambda_2$ ),  $I_2 = I_1 = I_{IN}$ . Amplifier  $A_2$  is connected as a current-to-voltage converter with  $V_{OUT} = I_2 R_K$  where  $R_K$  is an internal  $1\text{M}\Omega$  scaling resistor. Thus the overall transfer function is:

$$V_{OUT} = V_{IN} \frac{10^6}{R_G}, \quad (R_G \text{ in } \Omega\text{s})$$

This improved isolator circuit overcomes the primary limitations of the single LED and photodiode combination. The transfer function is now virtually independent of any degradation in the LED output as long as the two photodiodes and optics are closely matched<sup>(1)</sup>. Linearity is now a

function of the accuracy of the matching and is further enhanced by the use of negative feedback in the input stage. Advanced laser trimming techniques are used to further compensate for residual matching errors.

A model of the 3650 suitable for simple circuit analysis is shown in Figure 3. The output is a current dependent voltage source,  $V_D$ , whose value depends on the input current. Thus, the 3650 is a transconductance amplifier with a gain of one volt per microamp. When voltage sources are used, the input current is derived by using gain setting resistors in series with the voltage source (see Installation and Operating Instructions for details).  $R_{IN}$  is the differential input impedance. The common-mode and isolation impedances are very high and are assumed to be infinite for this model.

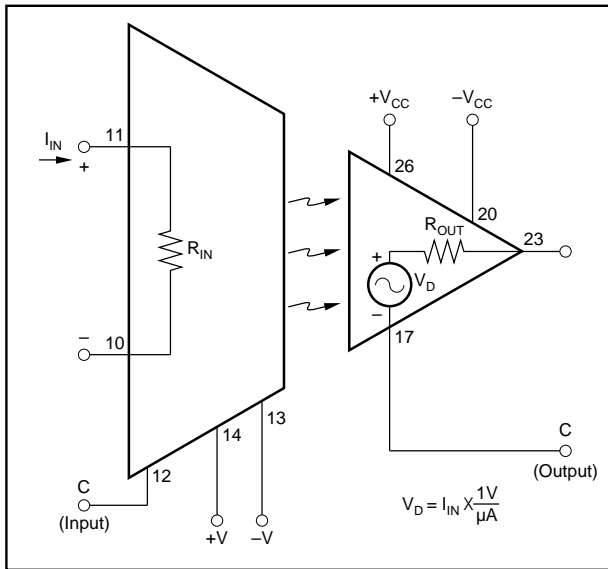


FIGURE 3. Simple Model of 3650.

A simplified model of the 3652 is shown in Figure 4. The isolation and output stages are identical to the 3650. Additional input circuitry consisting of FET buffer amplifiers and input protection resistors have been added to give higher differential and common-mode input impedance ( $10^{11}\Omega$ ),

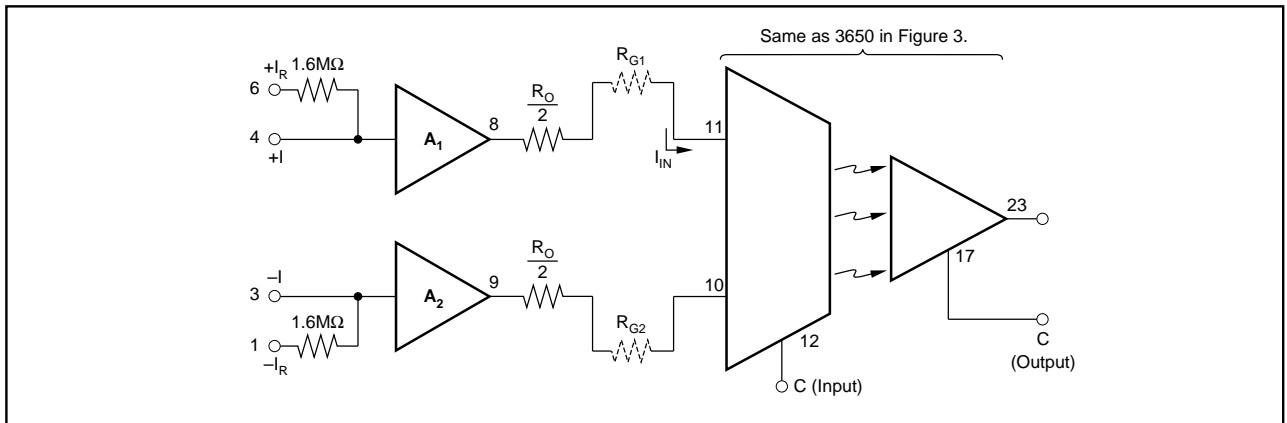


FIGURE 4. Simple Model of 3652.

lower bias currents (50pA) and overvoltage protection. The  $+I_R$  and  $-I_R$  inputs have a 10ms pulse rating of 6000V differential and 3000V common-mode (see Definitions for a discussion of common-mode and isolation-mode voltages.) The addition of the buffer amplifiers also creates a voltage-in voltage-out transfer function with the gain set by  $R_{G1}$  and  $R_{G2}$ .

## INSTALLATION AND OPERATING INSTRUCTIONS

### POWER SUPPLY CONNECTIONS

The power supply connections for the 3650 and 3652 are shown in Figure 5. When a DC/DC converter is used for isolated power, it is placed in parallel with the isolation barrier of the amplifier. This can lower the isolation impedance and degrade the isolation-mode rejection of the overall circuit. Therefore, a high quality, low leakage DC/DC converter such as the Burr-Brown Model 722 should be used.

### OFFSET VOLTAGE ADJUSTMENTS

The offset nulling circuits are identical for the 3650 and 3652 and are shown in Figure 5. The offset adjust circuitry is optional and the units will meet the stated specifications with the BAL terminals unconnected. Provisions are available to null both the input and output stage offsets. If the amplifier is operated at a fixed gain, normally only one adjustment will be used: the output stage (10kΩ adjustment) for low gains and the input stage (50kΩ adjustment) for high gains, (>10).

Use the following procedure if it is desired to null both input and output components. (For example, if the gain of the amplifier is to be switched). The input stage offset is first nulled (50kΩ adjustment) with the appropriate input signal pins connected to input common and the amplifier set at its maximum gain. The gain is then set to its minimum value and the output offset is nulled (10kΩ adjustment).





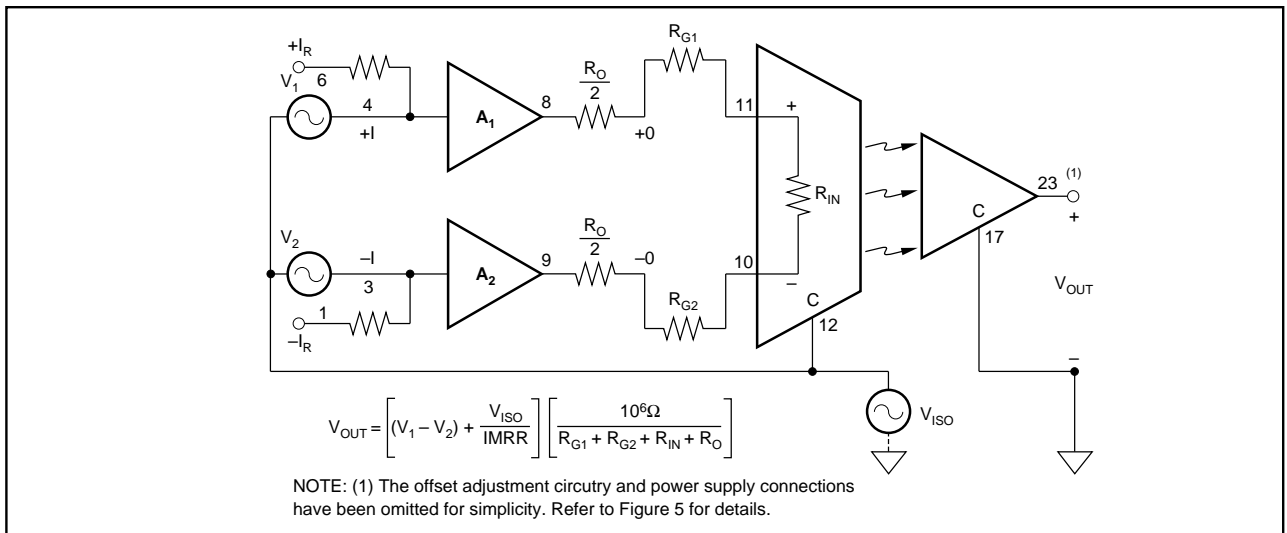


FIGURE 6c. 3652 with Differential Voltage Sources.

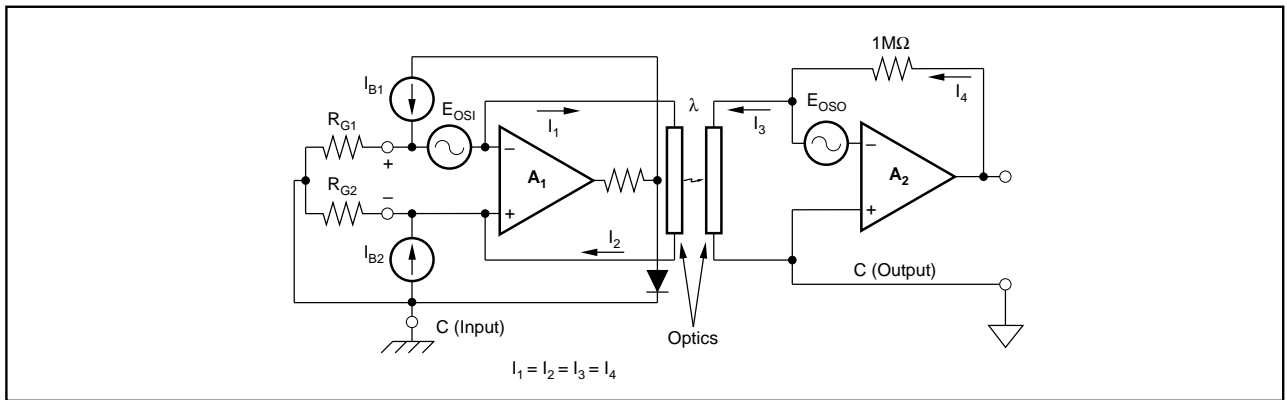


FIGURE 7. DC Error Analysis Model for 3650.

total output error voltage due to offset voltages and bias currents.

$$V_{OUT-TOTAL} = \frac{10^6}{R_{G1} + R_{G2}} [E_{OSI} + (I_{B1} R_{G1} - I_{B2} R_{G2})] + E_{OSO} \quad (1)$$

Offset current is defined as the difference between the two bias currents  $I_{B1}$  and  $I_{B2}$ . If  $I_{B1} = I_B$  and  $I_{B2} = I_B + I_{OSI}$

$$\text{then, for } R_{G1} = R_{G2}, V_{OUT} - I_B = \frac{10^6 I_{OSI}}{2}$$

This component of error is not a function of gain and is therefore included as a part of  $E_{OSO}$  specifications. The output errors due to the output stage bias current are also included in  $E_{OSO}$ . This results in a very simple equation for the total error:

$$V_{OUT-TOTAL} = \frac{10^6 E_{OSI}}{2R_{G1}} + E_{OSO} \quad (\text{for } R_{G1} = R_{G2}). \quad (2)$$

In summary, it should be noted that equation (2) should be used only when  $R_{G1} = R_{G2}$ . When  $R_{G1} \neq R_{G2}$ , equation (1) applies.

The effects of temperature may be analyzed by replacing the offset terms with their corresponding temperature gradient terms:

$$V_{OUT} \rightarrow \Delta V_{OUT}/\Delta T, E_{OSI} \rightarrow \Delta E_{OSI}/\Delta T, \text{ etc.}$$

For a complete analysis of the effects of temperature, gain variations must also be considered.

## OUTPUT NOISE

The total output noise is given by:

$$E_N \text{ (RMS)} = \sqrt{(E_{NI}G)^2 + (E_{NO})^2}$$

where  $E_N$  (RMS) = Total output noise

$E_{NI}$  = RMS noise of the input stage

$E_{NO}$  = RMS noise of the output stage

$$G = 10^6/(R_{G1} + R_{G2})$$

$E_{NO}$  includes the noise contribution due to the optics and the noise currents of the output stage. Errors created by the noise current of the input stage are insignificant compared to other noise sources and are therefore omitted.

## COMMON-MODE AND ISOLATION-MODE REJECTION

The expression for the output error due to common-mode and isolation mode voltage is:

$$V_{OUT} = G \left[ \frac{V_{CM}}{CMRR} + \frac{V_{ISO}}{IMRR} \right]$$

## GUARDING AND PROTECTION

To preserve the excellent inherent isolation characteristics of these amplifiers, the following recommended practice should be noted.

1. Use shielded twisted pair of cable at the input as with any instrumentation amplifier.
2. Care should be taken to minimize external capacitance. A symmetrical layout of external components to achieve balanced capacitance from the input terminals to output common will preserve high IMR.
3. External components and conductor patterns should be at a distance equal to or greater than the distance between the input and output terminals to prevent HV breakdown.
4. Though not an absolute requirement, the use of laminated or conformally coated printed circuit boards is recommended.

## APPLICATIONS

Figure 8 shows a system where isolation amplifiers (3650) are used to measure the armature current and the armature voltage of a motor.

The armature current of the motor is converted to a voltage by the calibrated shunt  $R_s$  and then amplifier (adjustable gain) and isolated by the 3650.

The armature voltage is sensed by the voltage divider (adjustable) shown and then amplified and isolated by the 3650.

The 3650 provides the advantage of accurate current measurement in the presence of high common-mode voltage. Both 3650s provide the advantage of isolating the motor ground from the control system ground. Isolated power is provided by an isolated DC/DC converter (BB Model 722 or equivalent).

The 3652 is ideally suited for patient monitoring applications as shown in Figure 9. The fact that it is a true balanced input instrumentation amplifier with very high differential and common-mode impedance means that it can greatly reduce the common-mode noise pick up due to imbalance in lead impedances that often appear in patient monitoring situations. The 3kV and 6kV shown in Figure 9 are the 10ms pulse ratings of the  $+I_R$  and  $-I_R$  inputs for the common-mode and differential input voltages with respect to input common. The rating of the isolation barrier is 2000Vpk continu-

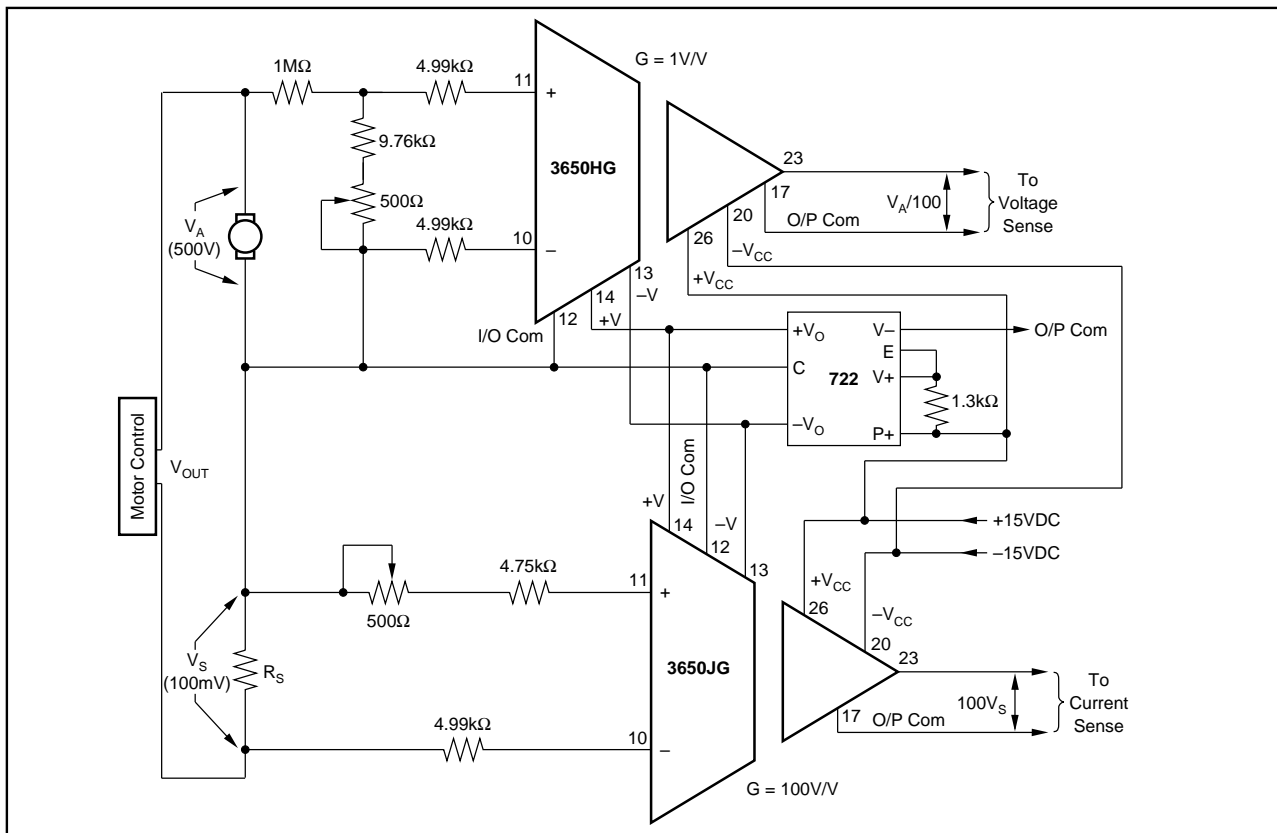


FIGURE 8. Isolated Armature Current and Voltage Sensor.

ous. The nonrecurrent pulse rating of the isolation barrier is 5000Vpk, since each unit is factory tested at 5000Vpk. If the isolation barrier is to be subjected to higher voltages a gas filled surge voltage protection device can be used. For multichannel operation, two 3652s can be powered by one Model 722 isolated DC/DC converter. The total leakage current for both channels at 240V 60Hz would still be less than 2 $\mu$ A.

The block diagram in Figure 10 shows the use of isolation amplifiers in SCR control application.

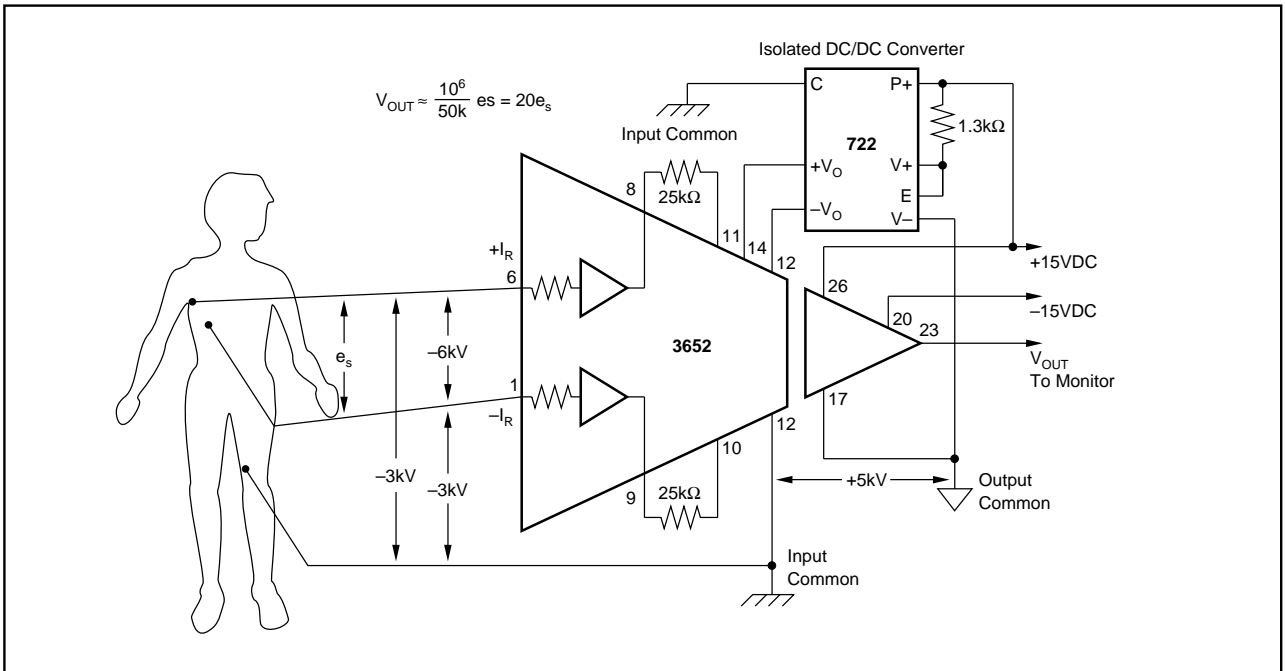


FIGURE 9. 3652 Used in Patient Monitoring Application (ECG, VCG, EMG Amplifier).

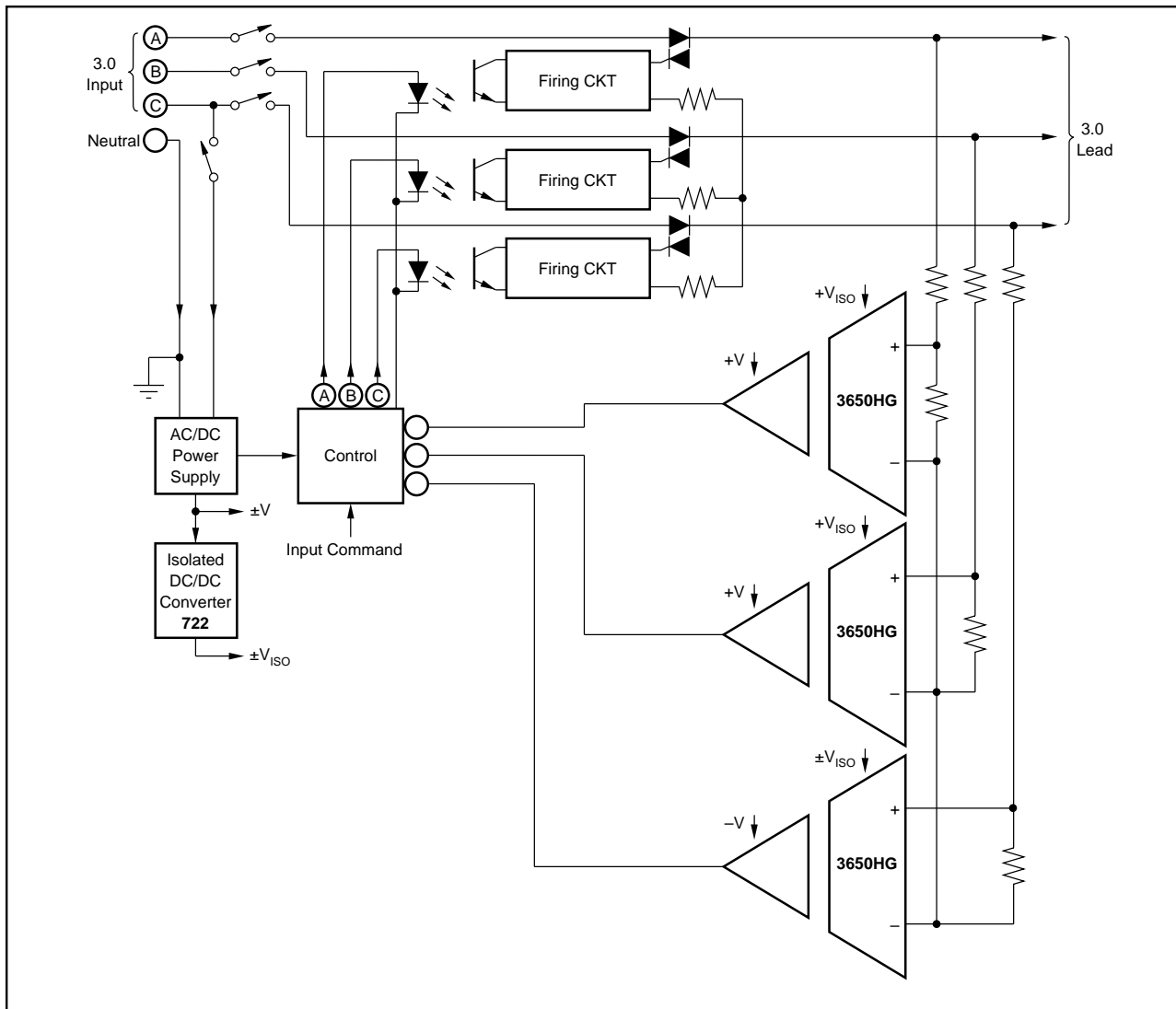


FIGURE 10. 3-Phase Bidirectional SCR Control with Voltage Feedback.

The information provided herein is believed to be reliable; however, BURR-BROWN assumes no responsibility for inaccuracies or omissions. BURR-BROWN assumes no responsibility for the use of this information, and all use of such information shall be entirely at the user's own risk. Prices and specifications are subject to change without notice. No patent rights or licenses to any of the circuits described herein are implied or granted to any third party. BURR-BROWN does not authorize or warrant any BURR-BROWN product for use in life support devices and/or systems.