

# XMLP6K0PD130

pressure transmitter - XMLP - 6000psi - 1/4"18NPT - 0,5..4,5V - M12 - set 1



## Main

|                           |  |
|---------------------------|--|
| Range of product          | OsiSense XM  |
| Product or component type | Electronic pressure sensors  |
| Pressure sensor type      | Pressure transmitter   |
| Pressure sensor name      | XMLP   |
| Electrical circuit type   | Control circuit  |
| Pressure sensor size      | 6000 psi   |
| Local display             | Without  |
| Controlled fluid          | Fresh water 0...135 °C<br>Air -40...135 °C<br>Hydraulic oil -40...135 °C<br>Gas -40...135 °C<br>Refrigeration fluid -40...135 °C |
| Fluid connection type     | 1/4" - 18 NPT (male)   |
| Electrical connection     | 1 male connector M12 4 pins  |
| [Us] rated supply voltage | 5 V DC SELV, voltage limits: 4.5...5.5 V   |
| Current consumption       | < 7 mA   |
| Type of output signal     | Analogue   |
| Analogue output function  | 0.5...4.5 V, 3-wire  |
| Quantity per set          | Set of 1   |
| Type of packing           | Individual   |

## Complementary

|   |  |
|---|--|
| Pressure setting range                  | 0...6000 psi   |
| Maximum permissible accidental pressure | 18000 psi  |
| Destruction pressure                    | 36000 psi  |
| Materials in contact with fluid         | Stainless steel AISI 316L  |
| Operating position                      | Any position   |
| Protection type                         | Load short-circuit<br>Reverse polarity   |
| Electromagnetic compatibility           | Electrical fast transient/burst immunity test conforming to EN/IEC 61000-4-4 - test level 2 kV<br>Electrostatic discharge immunity test conforming to EN/IEC 61000-4-2 - test level 8 kV air, 4 kV contact<br>1.2/50 µs shock waves immunity test conforming to EN/IEC 61000-4-5 - test level 1 kV (f = 42 Ohm)<br>Immunity to magnetic fields conforming to EN/IEC 61000-4-8 - test level 100 A/m (f = 50 Hz)<br>Susceptibility to electromagnetic fields conforming to EN/IEC 61000-4-3 - test level 10 V/m (f = 80...3000 MHz)<br>Radiated RF fields conforming to EN/IEC 61000-4-6 - test level 10 V (f = 0.01...80 MHz) |
| [Uimp] rated impulse withstand voltage  | 0.5 kV   |
| Response time on output                 | <= 2 ms for 10...90 % of full scale  |
| Measurement accuracy                    | +/- 0.5 % of the measuring range   |
| Accuracy                                | 0.1 % of the measuring range   |
| Drift of the sensitivity                | +/- 0.02 % of measuring range/°K   |
| Drift of the zero point                 | +/- 0.02 % of measuring range/°K   |
| Mechanical durability                   | >= 10000000 cycles   |
| Product weight                          | 0.092 kg   |
| Diameter                                | 26 mm  |

The information provided in this documentation contains general descriptions and/or technical characteristics of the products contained herein. This documentation is not intended as a substitute for and is not to be used for determining suitability or reliability of these products for specific user applications. It is the duty of any such user or integrator to perform the appropriate and complete risk analysis, evaluation and testing of the products with respect to the relevant specific application or use thereof. Neither Schneider Electric Industries SAS nor any of its affiliates or subsidiaries shall be responsible or liable for misuse of the information contained herein.

Length 36 mm

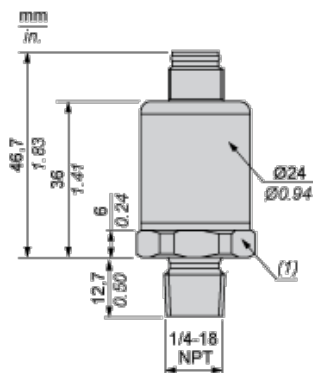
## Environment

|                                       |  |
|---------------------------------------|--|
| standards                             | EN/IEC 61326-2-3<br>NSF ANSI 61  |
| product certifications                | CE<br>CULus<br>RCM<br>EAC  |
| protective treatment                  | TC   |
| ambient air temperature for operation | -30...85 °C  |
| ambient air temperature for storage   | -50...100 °C   |
| vibration resistance                  | 20 gn (f = 15...2000 Hz) conforming to EN/IEC 60068-2-6  |
| shock resistance                      | 100 gn for 11 ms conforming to EN/IEC 60068-2-27   |
| IP degree of protection               | IP65 conforming to EN/IEC 60529<br>IP67 conforming to EN/IEC 60529<br>IP69K conforming to EN/IEC 60529 |

## Offer Sustainability

|                                  |   |
|----------------------------------|---|
| Sustainable offer status         | Green Premium product   |
| RoHS (date code: YYWW)           | Compliant - since 1723 - Schneider Electric declaration of conformity |
| REACH                            | Reference not containing SVHC above the threshold                     |
| Product environmental profile    | Available   |
| Product end of life instructions | Need no specific recycling operations                                 |

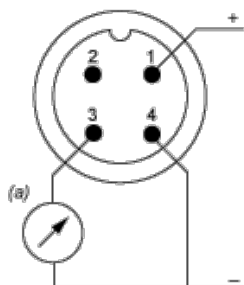
## Dimensions



(1) SW24 tightening torque  $\leq 25$  N.m / 221 lb-in

## Wiring Diagram

### 3-Wire Technique (0.5 – 4.5 V)



(a) V out

## Curves

