

Split-core Current Transducers/Sensors

Models BB-JC10F50-V, BB-JC24S250-V, BB-JC36S500-V

B+B SMARTWORX

Powered by

ADVANTECH

www.advantech-bb.com



BB-JC10F50-V

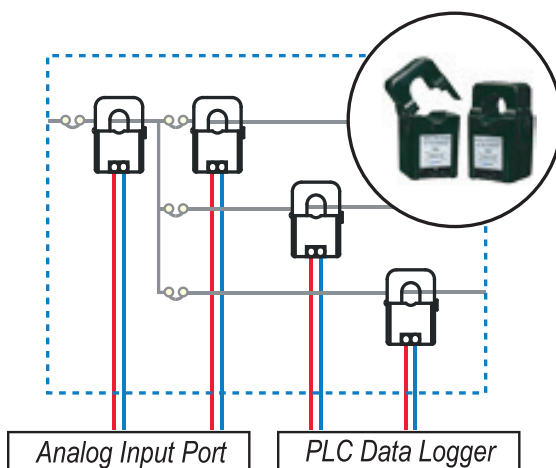
- + All-in one structure in a small size
- + Connect directly to PLCs
- + Sense motor stalls and short circuits
- + Industrial instrumentation
- + Process control loops
- + Phased fired-controlled heaters
- + UL, CSA, CE and RoHS available

OVERVIEW

These split-core current transducers are designed for energy management with a convenient connection to electronic sub-metering. They may also be applied for current measurement in a system of distributed power line carriers (PLCs) or remote controls such as SCADA software for automation and supervision. Other applications include security and condition monitoring, load monitoring, protection systems, and predictive maintenance of conveyors, pumps, HVAC motors and more.

LOAD TREND MONITOR PER DISTRIBUTION PANEL

When a sensor outputting analog instrumentation signals in proportion to load current, is clamped directly onto the main or branch wiring of the distribution panel, direct input into analog port as PLC or data logger becomes available without a converter in the middle.



ORDERING INFORMATION

MODEL NUMBER	CURRENT RANGE (50/60 HZ)	OUTPUT IMPEDANCE	WEIGHT
BB-JC10F50-V	50 Arms	6.2K Ω	45g
BB-JC24S250-V	250 Arms	5.8K Ω	200g
BB-JC36S500-V	500 Arms	5.8K Ω	290g

SPECIFICATIONS – All Models

TECHNOLOGY	
Output Voltage	0~5V DC (average) / 0 ~ rated current, 7.5V DC limiter built-in
Maximum Allowable Current	100% (continuous) 150% (1 min.)
Accuracy/Linearity	$\pm 2\%$ FS.dynamic range 1:100 (50/60 Hz sinewave)
Output Ripple Voltage	Within 5% of output voltage
Response Time	300 ms
Insulation Resistance	DC500V / 100M Ω or more (between core and output terminals)
Dielectric Strength	AC 2000V / 1 min. (between core and output terminals)
MECHANICAL	
Sensing Aperture	10mm (clamp-on type)
Latch/Unlatch	About 150 times
Output Terminals	2 x M3-screw with terminal covers
Tightening Torque	0.3 Nm
ENVIRONMENTAL	
Operating Conditions	-20 ~ +50 $^{\circ}\text{C}$, $\leq 85\%$ RH, No condensation, In-house & any direction installable
Storage Conditions	-30 ~ +90 $^{\circ}\text{C}$, $\leq 85\%$ RH, No condensation

All product specifications are subject to change without notice.

BB-JCxV-CurrentSensors_3718ds

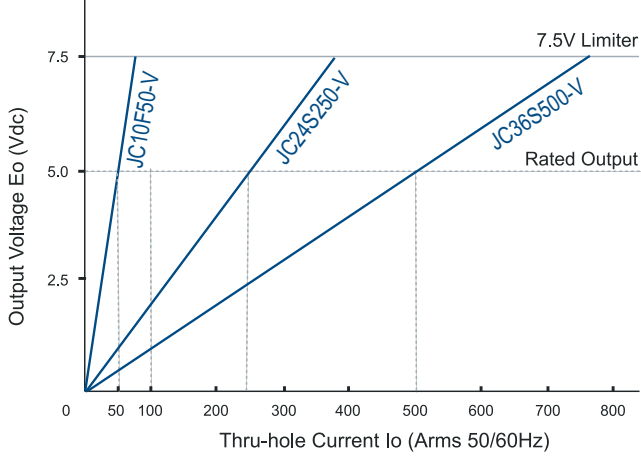
Split-core Current Transducers/Sensors

Models BB-JC10F50-V, BB-JC24S250-V, BB-JC36S500-V



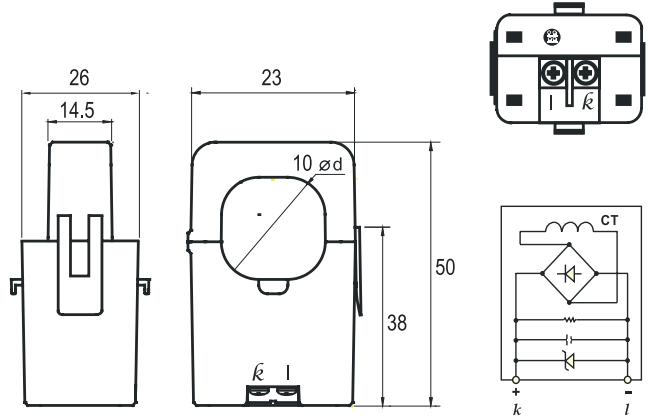
BB-JC24S250-V

OUTPUT VOLTAGE DATA



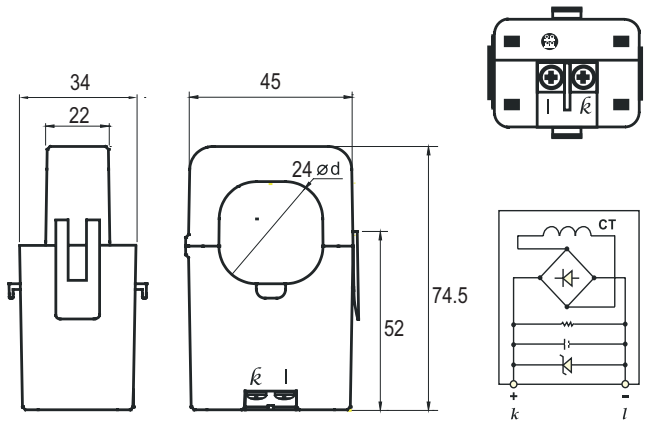
DIMENSIONS – BB-JC10F50-V

Unit = mm



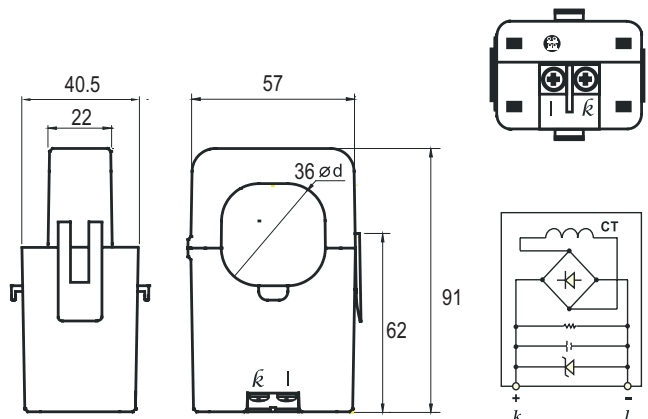
DIMENSIONS – BB-JC24S250-V

Unit = mm



DIMENSIONS – BB-JC36S500-V

Unit = mm



CONNECTING THE LEAD WIRE

1. The transducer is shown with its lead wires.
2. Hands are shown stripping the insulation from the lead wires.
3. A hand is shown inserting the stripped lead wire into the transducer's lead wire port.
4. The transducer is shown with the lead wire inserted and secured.
5. A hand is shown pulling the transducer away from the lead wire.
6. The transducer is shown with the lead wire attached to a cable.
7. The transducer is shown with the lead wire attached to a cable.
8. Cables & Cable Accessories