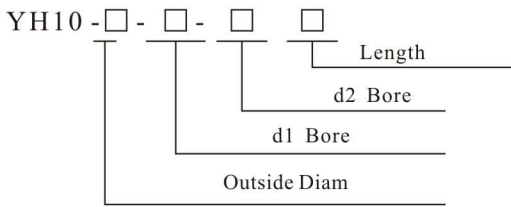
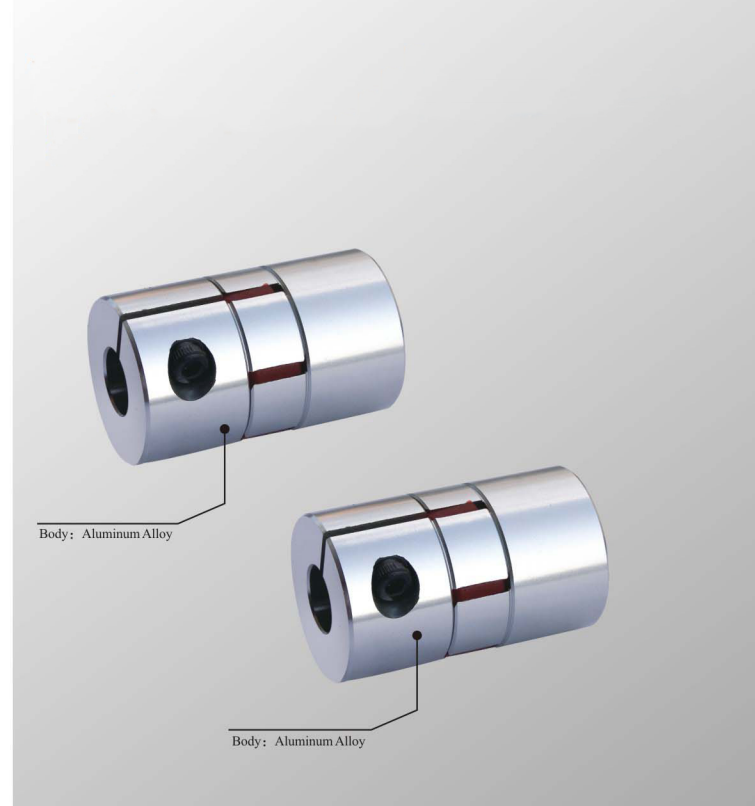


# YH 10

## Series Plum Flexible Spring Coupling

YH 10 series plum flexible spring coupling, which adopt the expansion sleeve connection, is of zero backlash and high density. It can transfer big torque. Furthermore, the characteristics are quite same when it run in a clock-wise or anti clock-wise rotation. so it can absorb the vibration, compensate for radial, angle and axial deviation, it usually used in the connection of servo motor, stepper motor, etc.



**For example: YH10-55-19-24-78 (mm)**

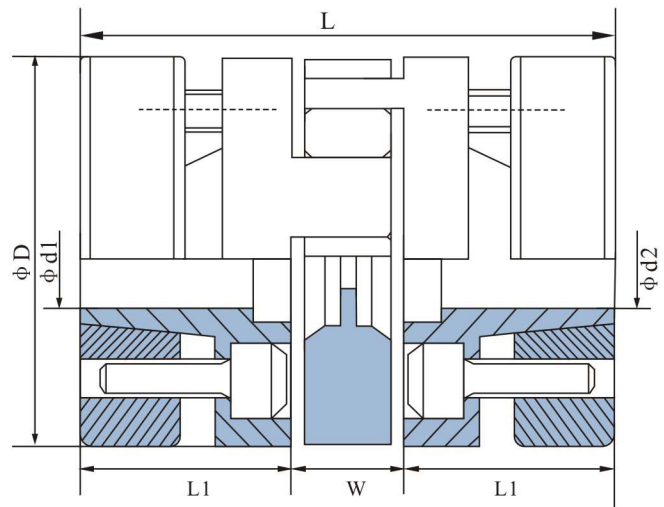
YH 10 series no, Aluminum material

Outside diam:  $\phi D=55\text{mm}$

d1 bore:  $\phi d1=19\text{mm}$

d2 bore:  $\phi d2=24\text{mm}$

Length  $L=78\text{mm}$



### Size of coupling

| Model       | $\phi d1$ $\phi d2$<br>Bore | $\phi D$ | L   | L1   | W  | M  | Tighten<br>torque<br>(N. m) |
|-------------|-----------------------------|----------|-----|------|----|----|-----------------------------|
| YH10-20□□□  | 4 5 6<br>8 9 10             | 20       | 30  | 10   | 10 | M3 | 1.1                         |
| YH10-30□□□  | 8 9<br>10 12 14             | 30       | 50  | 18.5 | 13 | M4 | 1.3                         |
| YH10-40□□□  | 11 12 14<br>16 19 20        | 40       | 66  | 25   | 16 | M5 | 2.7                         |
| YH10-46□□□  | 16 18 20<br>22 24 25        | 46       | 70  | 28   | 17 | M6 | 4.5                         |
| YH10-55□□□  | 14 16 19<br>24 25 28        | 55       | 78  | 30   | 18 | M8 | 6.0                         |
| YH10-65□□□  | 19 20 24<br>28 30 35 38     | 65       | 90  | 35   | 20 | M8 | 6.0                         |
| YH10-80□□□  | 24 28 30 35<br>38 40 45     | 80       | 114 | 45   | 24 | M8 | 10.0                        |
| YH10-95□□□  | 30 35 38<br>40 45 50        | 95       | 126 | 50   | 26 | M8 | 35                          |
| YH10-105□□□ | 35 40 45<br>50 55 60        | 105      | 140 | 56   | 28 | M8 | 35                          |

### Parameters of coupling

| Model      | Rated<br>torque<br>(N.m) | Max<br>torque<br>(N.m) | Max<br>speed<br>(rpm) | Inertia<br>torque<br>(kg.m <sup>2</sup> ) | Static<br>torque<br>rigidity<br>(n.m/rad) | Radial<br>deviation<br>(mm) | Angular<br>deviation<br>(°) | Axial<br>deviation<br>(mm) | Weight<br>(g) |
|------------|--------------------------|------------------------|-----------------------|---|---|-----------------------------|-----------------------------|----------------------------|---------------|
| YH10-20□□□ | 7.4                      | 14.8                   | 20000                 | $8.7 \times 10^{-4}$                      | 510                                       | 0.02                        | 1                           | $\pm 0.06$                 | 50            |
| YH10-30□□□ | 7.4                      | 14.8                   | 20000                 | $8.7 \times 10^{-4}$                      | 510                                       | 0.02                        | 1                           | $\pm 0.06$                 | 50            |
| YH10-40□□□ | 9.5                      | 19.0                   | 15000                 | $1.12 \times 10^{-3}$                     | 550                                       | 0.02                        | 1                           | $\pm 0.08$                 | 120           |
| YH10-46□□□ | 20                       | 40                     | 14000                 | $3.2 \times 10^{-3}$                      | 1510                                      | 0.02                        | 1                           | $\pm 0.08$                 | 280           |
| YH10-55□□□ | 34                       | 68                     | 13000                 | $4.5 \times 10^{-3}$                      | 1510                                      | 0.02                        | 1                           | $\pm 0.08$                 | 280           |
| YH10-65□□□ | 95                       | 190                    | 10500                 | $9.1 \times 10^{-3}$                      | 2800                                      | 0.02                        | 1                           | $\pm 0.08$                 | 450           |
| YH10-80□□□ | 135                      | 270                    | 8600                  | $1.9 \times 10^{-2}$                      | 3600                                      | 0.02                        | 1                           | $\pm 0.08$                 | 960           |
| YH10-95□□□ | 230                      | 460                    | 7500                  | $2.2 \times 10^{-1}$                      | 4700                                      | 0.02                        | 1                           | $\pm 1.00$                 | 2310          |
| YH10-95□□□ | 380                      | 760                    | 6000                  | $3.3 \times 10^{-1}$                      | 5800                                      | 0.02                        | 1                           | $\pm 1.00$                 | 3090          |

note: The calculation of Inertia torque and weight is based on the max bore.