

# 25LKA/25LKB

## Fast acting fuse — For protection of semiconductor devices

### Features

- ◇ Suitable for inverter, UPS, power supply use
- ◇ Fusing indicator type available (Micro-switch mountable)

### Specifications & Dimensions

#### Rated voltage and Breaking capacity

UL specifications : AC250V-100kA, DC400V-50kA (Time Constant 10ms)  
 TUV specifications : AC250V-10kA, DC350V-10kA (Time Constant 10ms)

#### Caution!

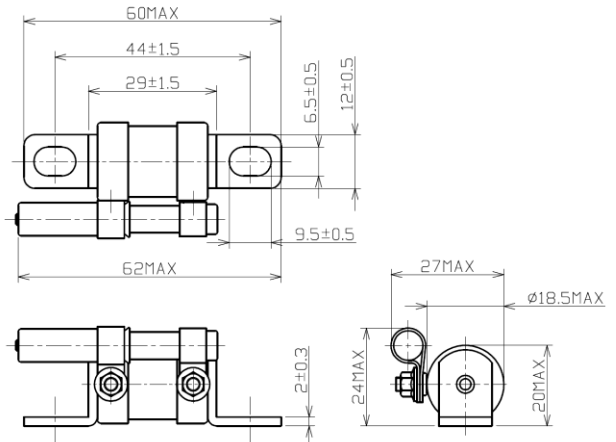
- ※ Arc re-ignition may occur if the fusing current is less than 8 times larger than the fuse rated current. In this case, the fuse should be used in conjunction with other protectors.
- ※ Fuse should be used at less than 60% of the rated current.



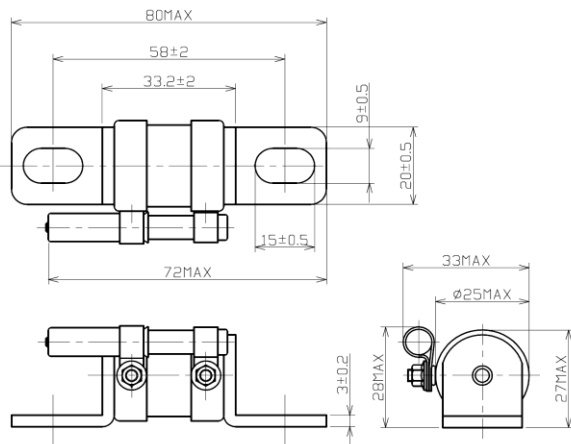
Type		Rated current (A)	Pre-arc I <sup>2</sup> t (A <sup>2</sup> S)	Total I <sup>2</sup> t at AC250V-100kA (A <sup>2</sup> S)	Watts-loss (W)	Weight (g)	Standards
W/O indicator	With indicator						
25LKA20B	25LKA20SB	20	22	170	2.7	29	
25LKA30B	25LKA30SB	30	48	350	4.0		
25LKA40B	25LKA40SB	40	90	590	5.1		
25LKA50B	25LKA50SB	50	150	850	7.2		
25LKA60B	25LKA60SB	60	190	1,200	9.2		
25LKA75B	25LKA75SB	75	360	2,100	11.0	39	
25LKA100B	25LKA100SB	100	620	3,700	16.5		
25LKB100B	25LKB100SB	100	620	3,700	16.0		
25LKB125B	25LKB125SB	125	1,150	6,200	18.0		
25LKB150B	25LKB150SB	150	1,400	9,000	25.0		
25LKB175B	25LKB175SB	175	2,500	13,000	27.5	76	
25LKB200B	25LKB200SB	200	3,100	17,000	29.5		
25LKB225B	25LKB225SB	225	4,600	22,000	33.0		
25LKB260B	25LKB260SB	260	7,000	30,000	38.0		
25LKB300B	25LKB300SB	300	8,600	40,000	47.5		
25LKB350B	25LKB350SB	350	12,000	60,000	57.0	130	

※1 Only those highlighted in blue are TUV recognized.

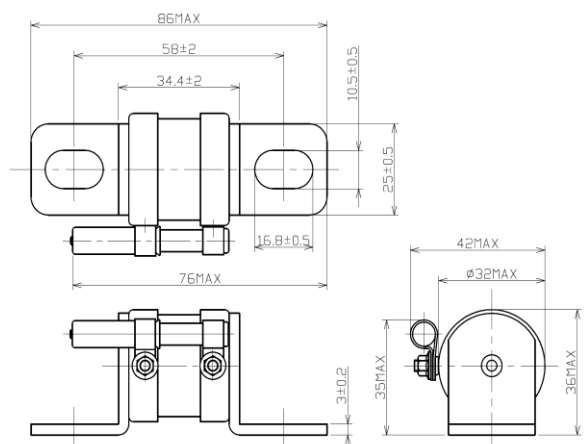
↓ 25LKA20(S)B~100(S)B (This figure includes an indicator)



↓ 25LKB100(S)B~225(S)B (This figure includes an indicator)



↓ 25LKB260(S)B~350(S)B (This figure includes an indicator)



For inquiries, please contact our sales department at;  
 Tel: 03-3860-8661 Fax: 03-3860-8660 E-mail: [uketsuke@hinodedenki.co.jp](mailto:uketsuke@hinodedenki.co.jp)

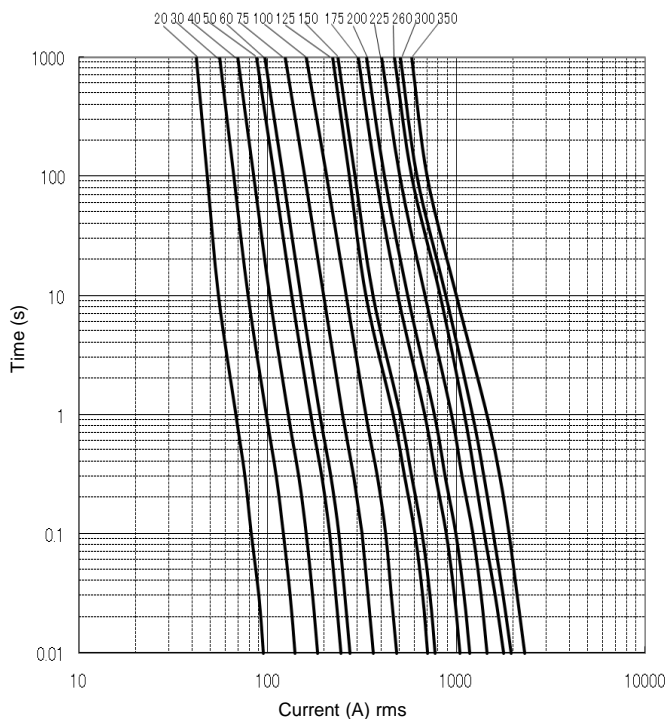
All specified data in this leaflet is based on available information at the time of publication, and the products and/or specifications may be subject to change without notice.

We recommend that all our customers check the latest product information on our web site (<http://www.hinodedenki.co.jp>) as well as contacting us before placing orders.

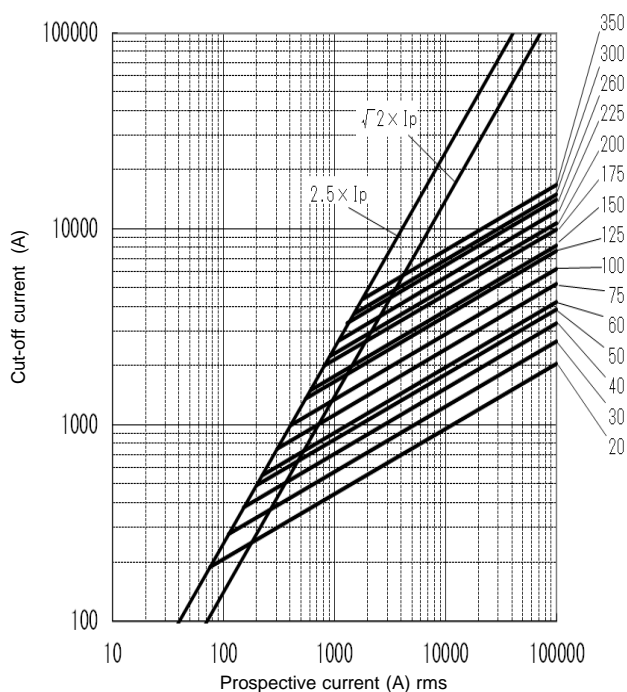
# 25LKA/25LKB

## Fast acting fuse — For protection of semiconductor devices

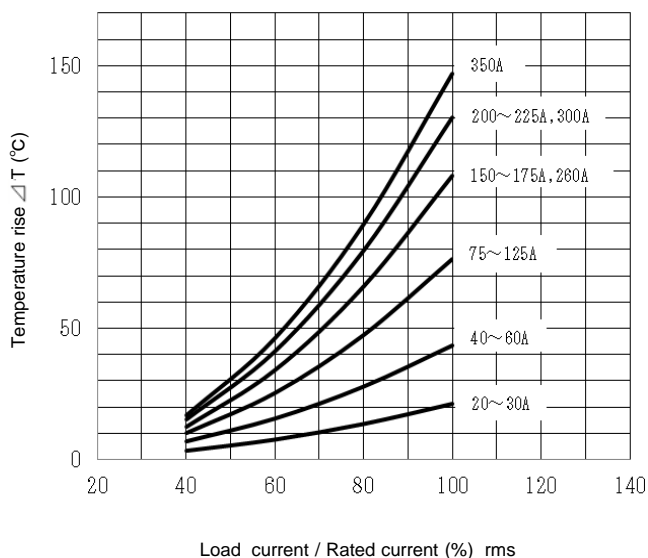
Pre-arcing time-current characteristics



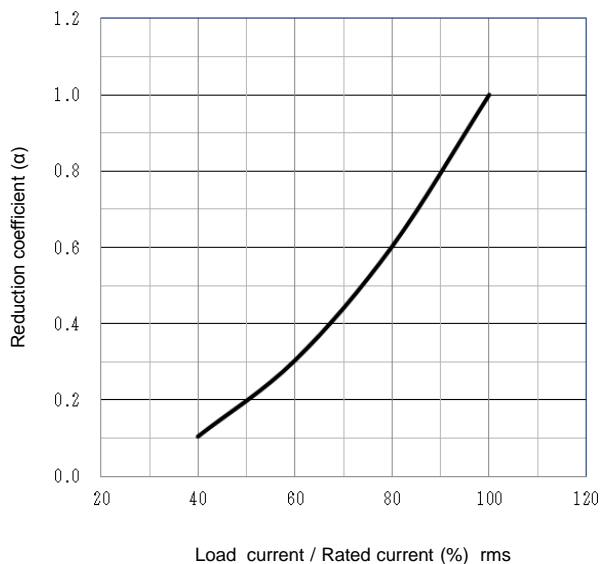
Cut-off current characteristics



Temperature rise characteristics



Watts-loss characteristics



For inquiries, please contact our sales department at;  
 Tel: 03-3860-8661 Fax: 03-3860-8660 E-mail: [uketsuke@hinodedenki.co.jp](mailto:uketsuke@hinodedenki.co.jp)

All specified data in this leaflet is based on available information at the time of publication, and the products and/or specifications may be subject to change without notice.

We recommend that all our customers check the latest product information on our web site ([http:// www.hinodedenki.co.jp](http://www.hinodedenki.co.jp)) as well as contacting us before placing orders.