

ELECTRICAL CHARACTERISTICS (T <sub>amb</sub> = 25 °C, unless otherwise specified)						
PARAMETER	TEST CONDITION	SYMBOL	MIN.	TYP.	MAX.	UNIT
<b>COUPLER</b>						
Collector current per channel	V <sub>CE</sub> = 5 V, I <sub>F</sub> = 15 mA	I <sub>C</sub>	0.7	1.6	-	mA
Collector emitter saturation voltage	I <sub>F</sub> = 15 mA, I <sub>C</sub> = 0.2 mA	V <sub>CEsat</sub>	-	-	0.4	V
<b>INPUT (EMITTER)</b>						
Forward voltage	I <sub>F</sub> = 15 mA	V <sub>F</sub>	1	1.2	1.4	V
Reverse current	V <sub>R</sub> = 5 V	I <sub>R</sub>	-	-	10	μA
Junction capacitance	V <sub>R</sub> = 0 V, f = 1 MHz	C <sub>j</sub>	-	25	-	pF
<b>OUTPUT (DETECTOR)</b>						
Collector emitter voltage I <sub>C</sub>	I <sub>C</sub> = 1 mA	V <sub>CEO</sub>	20	-	-	V
Emitter collector voltage	I <sub>E</sub> = 100 μA	V <sub>ECO</sub>	7	-	-	V
Collector dark current	V <sub>CE</sub> = 25 V, I <sub>F</sub> = 0 A, E = 0 lx	I <sub>CEO</sub>	-	1	100	nA
<b>SWITCHING CHARACTERISTICS</b>						
Rise time	I <sub>C</sub> = 0.7 mA, V <sub>CE</sub> = 5 V, R <sub>L</sub> = 100 Ω (see fig. 3)	t <sub>r</sub>	-	9	150	μs
Fall time	I <sub>C</sub> = 0.7 mA, V <sub>CE</sub> = 5 V, R <sub>L</sub> = 100 Ω (see fig. 3)	t <sub>f</sub>	-	16	150	μs

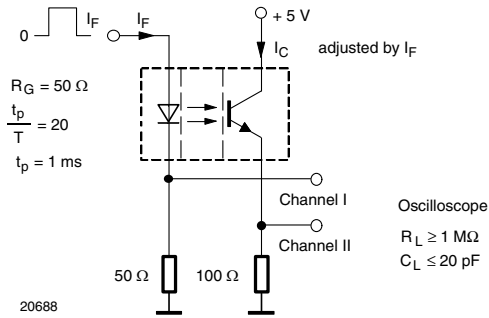


Fig. 3 - Test Circuit for t<sub>r</sub> and t<sub>f</sub>

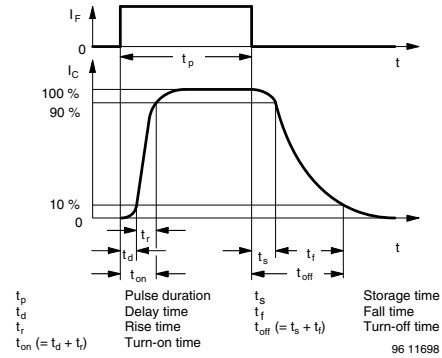


Fig. 4 - Switching Times

**BASIC CHARACTERISTICS** (T<sub>amb</sub> = 25 °C, unless otherwise specified)

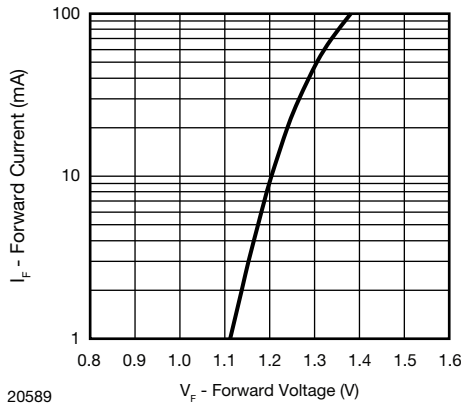


Fig. 5 - Forward Current vs. Forward Voltage

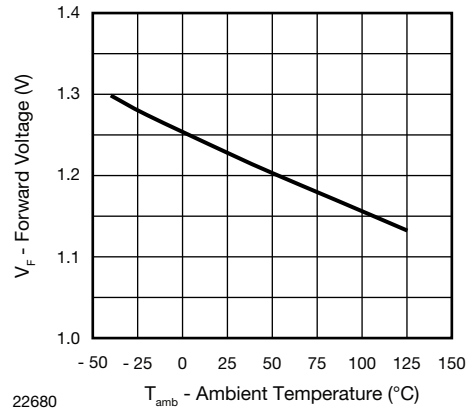


Fig. 6 - Forward Voltage vs. Ambient Temperature

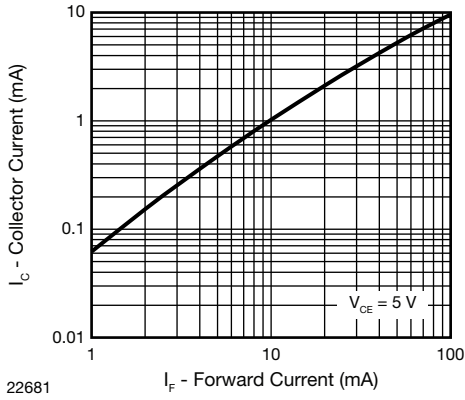


Fig. 7 - Collector Current vs. Forward Current

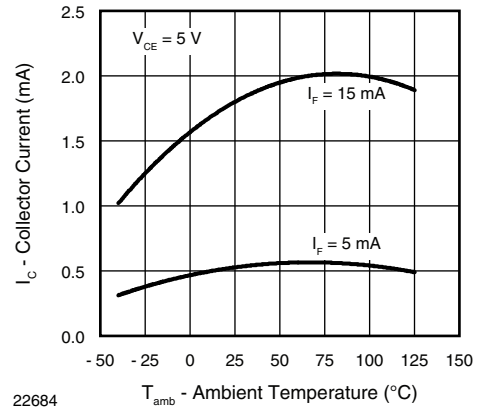


Fig. 10 - Collector Current vs. Ambient Temperature

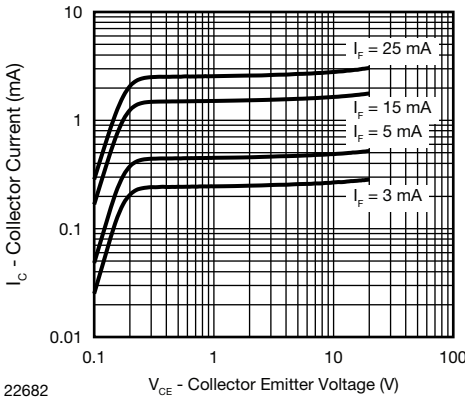


Fig. 8 - Collector Current vs. Collector Emitter Voltage

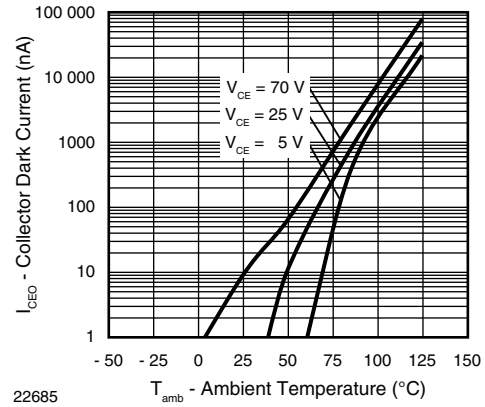


Fig. 11 - Collector Dark Current vs. Ambient Temperature

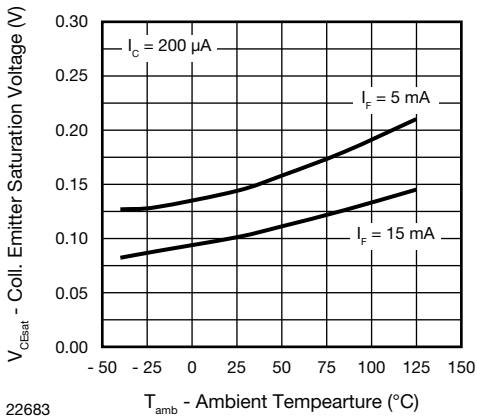


Fig. 9 - Collector Emitter Saturation Voltage vs. Ambient Temperature

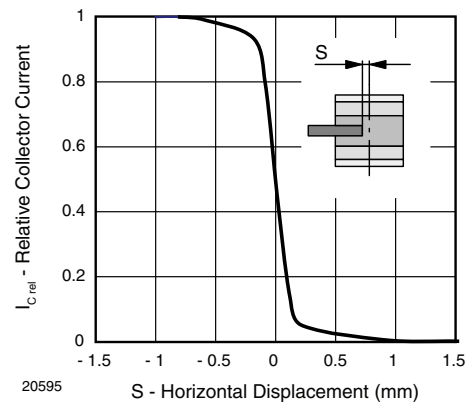


Fig. 12 - Relative Collector Current vs. Horizontal Displacement