

### Exposed, Welded Tip Thermocouples with Fitted Mini-Plugs

Types J,K & T, PTFE insulated thermocouple wire with welded junction and fitted miniature plug

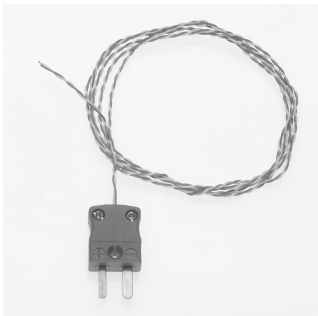
#### Specifications

Sensor type	Thermocouple type J,K or T to IEC 60584. Exposed, Welded junction.
Tip temperature Rating	-75°C to 250°C (limited by PTFE insulation properties)
Wire type	Twin, twist pair, PTFE insulated over 1/0.2mm conductors, 1 metre
Termination	Colour coded miniature plug

#### Dimensions & Codes

Thermocouple Type	Farnell Code	Lab Code
Type J x 1m	4100736	XF-320-FAR
Type K x 1m	4100748	XF-321-FAR
Type T x 1m	4100750	XF-322-FAR

Data Ref: FAR3



### Exposed, Welded Tip Thermocouple with fitted Mini-plugs

Types J & K, Glassfibre insulated thermocouple wire with welded junction and fitted miniature plug

#### Specifications

Sensor Type	Thermocouple type J or K to IEC60584. Exposed, welded junction.
Tip temperature Rating	-50°C to +350°C (limited by glassfibre insulation properties)
Wire type	Twin, twist pair, silicone varnished glassfibre insulated over 1/0.315mm conductors, 2 metre
Termination	Colour coded miniature plug

#### Dimension & Codes

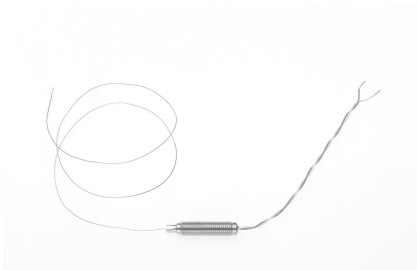
Thermocouple type	Farnell Code	Lab Code
Type J x 2m	4100761	XF-323-FAR
Type K x 2m	4100773	XF-324-FAR

Data Ref: FAR4



### Industrial, Mineral Insulated Thermocouples

Type K, Mineral insulated, flexible, stainless steel sheathed thermocouple probe with PTFE insulated tails



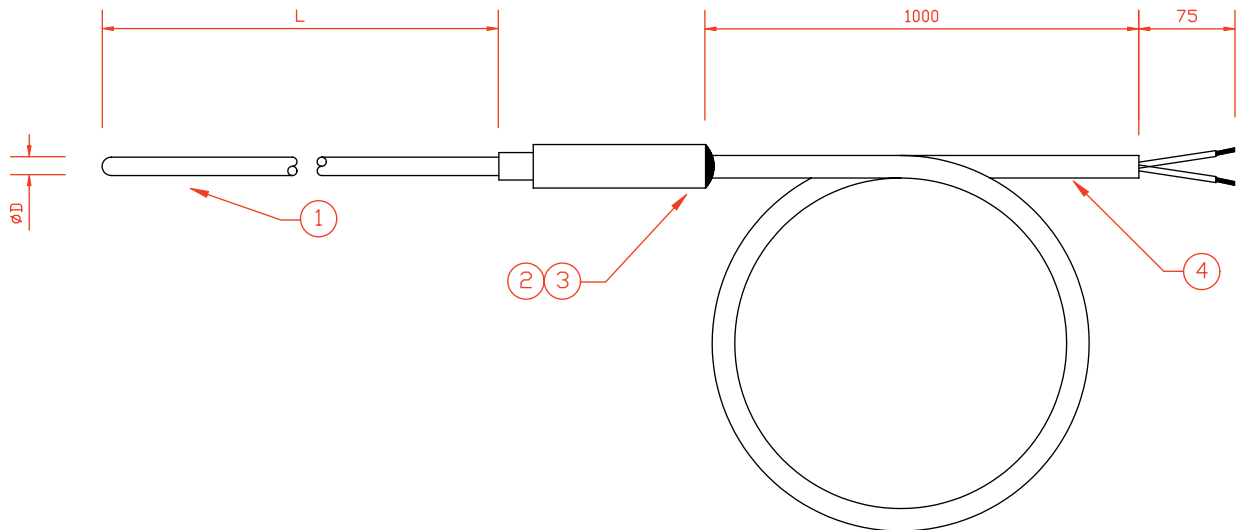
#### Specifications

Sensor Type	Thermocouple type K to IEC60584
Probe material	310 stainless steel with welded tip. Mineral insulated conductors with insulated junction
Tip temperature Rating	-40°C to 1100°C
Probe termination	Pot seal, M8 x 1.0mm thread, 25mm long
Pot temperature Rating	200°C maximum
Termination lead	PTFE insulated tails, 7/0.2mm, 100mm long

#### Dimensions & Codes

Probe dia (mm)	Probe length (mm)	Farnell Code	Lab Code
0.5	250	4248170	XF-327-FAR
0.5	500	4248181	XF-328-FAR

Data Ref: FAR5a



Item	Farnell Part No.	D	L
A	424-8193	1.5	150
B	424-8200	1.5	250
C	424-8211	3	150
D	424-8223	3	250
E	424-8235	6	150
F	424-8247	6	250