

# Hour meters / timers, electromechanical

**Timers with DIN dimensions**    **DIN counter for panel mount / DIN rail housing, 48 x 48 mm (AC+DC)**    **H 57 / AH 57**



The hour meters H 57, H 57.55, H 57.72 and AH 57 feature a very high shock resistance. These panel / DIN rail mount counters have a reduced mounting depth. They can be used in many different fields of application. These non-resettable counters are extremely tamper-proof.



## Characteristics

- 7 or 8-digit hour meter
- High shock and impact resistance
- Without reset, small mounting depth
- Magnified large figures
- Protection IP52 (optional IP65), suitable for any mounting position
- UL-approved
- Various front bezel sizes
  - H 57      48 x 48 mm
  - H 57.55    55 x 55 mm
  - H 57.72    72 x 72 mm
  - AH 57    48 x 48 mm for DIN rail

## Benefits

- 5 years guarantee <sup>1)</sup>
- High reliability: for a better sale of your final product
- Data retention in case of power failure
- Long service life

## Applications

General time measurement, maintenance intervals for measuring instruments (respiration units, oxygen, dialysis), small appliances, UV lamps, display panels in vehicles

Hour meters / Timers

## Type series

Description	Mounting	Front bezel	Type
Standard DIN timer	clip mounting, on rear	48 x 48 mm [1.89 x 1.89"]	<b>H 57</b>
Standard DIN timer	clip mounting, on rear	55 x 55 mm [1.97 x 1.97"]	<b>H 57.55</b>
Standard DIN timer	clip mounting, on rear	72 x 72 mm [2.83 x 2.83"]	<b>H 57.72</b>
Base mount timer	DIN rail 35 mm [1.38"] acc. to DIN EN 50022		<b>AH 57</b>

Accessories	Dimensions in mm [inch]	Order-No.
<b>Adapter front bezel, 55 x 55 [2.17 x 2.17]</b>	For cut-out 50 x 50 [1.97 x 1.97] or ø 50.5 [2.17] to cut-out 45 x 45 [1.77 x 1.77], with clip mounting for counters 48 x 48 [1.89 x 1.89]      black	<b>T008171</b>
<b>Adapter front bezel, 60 x 75 [2.36 x 2.95]</b>	For cut-out 50 x 50 [1.97 x 1.97] to cut-out 45 x 45 [1.77 x 1.77] with screw mounting for counters 48 x 48 [1.89 x 1.89]      black	<b>T008860</b>
<b>Adapter front bezel, 72 x 72 [2.83 x 2.83]</b>	For cut-out 68 x 68 [2.68 x 2.68] to cut-out 45 x 45 [1.77 x 1.77] (Mating clip T009420 must be ordered separately)      black	<b>T008177</b>
<b>Adapter front bezel, ø 72 [2.83]</b>	For cut-out ø 60 [2.36] to 45 x 45 [1.77 x 1.77], with clip mounting for counters 48 x 48 [1.89 x 1.89]      black	<b>N510226</b>
<b>Base-mount socket</b>	For H 57      black	<b>G008040</b>

Suitable gaskets as well as further accessories can be found in the accessories section or in the accessories area of our website at: [www.kuebler.com/accessories](http://www.kuebler.com/accessories).

1) When used as specified in the technical data

## Hour meters / timers, electromechanical

### Timers with DIN dimensions    DIN counter for panel mount / DIN rail housing, 48 x 48 mm (AC+DC)    H 57 / AH 57

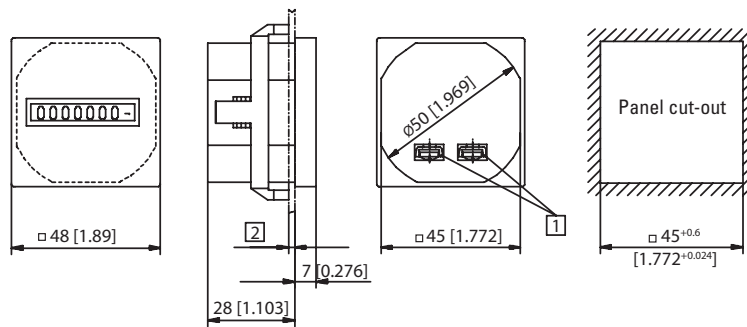
Technical data	
<b>Electrical connection</b>	screw terminals (tightening torque max. 0.8 Nm) wire entry from behind, for $\varnothing$ 2.5 mm <sup>2</sup> [AWG13]
<b>Power consumption</b>	10 ... 30 V DC approx. 500 mW 100 ... 130 V DC approx. 750 mW 20 ... 30 V AC, 50 Hz approx. 0.3 VA 42 ... 48 V AC, 50 Hz approx. 0.25 VA 100 ... 130 V AC, 50 Hz approx. 0.6 VA 187 ... 264 V AC, 50 Hz approx. 1.2 VA 360 ... 440 V AC, 50 Hz approx. 1.65 VA
<b>Rated voltages</b>	AC (50 or 60 Hz) 20 ... 30 V, 42 ... 48 V, 100 ... 130 V, 187 ... 264 V, 360 ... 440 V DC 10 ... 30 V, 36 ... 80 V, 100 ... 130 V
<b>On time</b>	100 %
<b>Number of digits</b>	7 at AC 99999.99 h 8 at DC 999999.99 h
<b>Count mode</b>	adding
<b>Height of figures</b>	4 mm [0.16"]
<b>Colour of figures</b>	white and red on black
<b>Operating temperature</b>	-15°C ... +50°C [+5°F ... +122°F] (non-condensing)
<b>Storage temperature</b>	-40°C ... +85°C [-40°F ... +185°F]
<b>Relative humidity</b>	< 95% (non-condensing)
<b>Mounting position</b>	any
<b>Protection</b>	IP52, DIN 40050 (front side)
<b>Housing</b>	plastic PC (Polycarbonate)
<b>Accuracy</b>	AC supply frequency + 30 ms DC < 0.003 % (at 24 h)
<b>Weight</b>	H 57 approx. 48 g [1.69 oz] base mount socket no. 48 36 g [1.27 oz] slip-on bezel 55 8 g [0.28 oz] slip-on bezel 72 13 g [0.46 oz]
<b>Operating indicator of the running time meter</b>	AC fast rotating wheel with red dashes DC 11/100 h display turns continuously by 1 digit in 36 s
<b>Test voltage</b>	2000 V AC, 50 Hz for AC counters
<b>UL approval</b>	E128604 the version 360 ... 440 V AC is not UL listed

Options	
<b>Colour of housing</b>	grey Art.-No. 3.22X.400.XXX
<b>Timer H 57.55 mounted with adapter front bezel 55 x 55 mm [2.17 x 2.17"]</b>	Art.-No. 3.221.XXX.XXX
<b>Timer H 57.72 montiert mit Adapter-Frontrahmen 72 x 72 mm [2.83 x 2.83"]</b>	Art.-No. 3.222.XXX.XXX
<b>Electrical connection</b>	flat pin 0.8 x 6.3 mm [0.031 x 0.25"] Art.-No.: 3.228.401.XXX
<b>IP65 version, welded front cover</b>	H 57 Art.-No. 3.220.XXX.XXX.422 H 57.55 Art.-No. 3.221.XXX.XXX.423 H 57.72 Art.-No. 3.222.XXX.XXX.424
<b>Required gaskets</b>	between the counter and the bezel H 57 N511018
<b>Gasket set</b>	H 57.55 N511018 + N511017 H 57.72 N511018 + N511016
(with the IP65 version, the gasket is included in the delivery)	
Further voltages on request	
Counter with cable inlet from underneath, screw fixing from rear Art.-No. 3.220.401.XXX.044	

# Hour meters / timers, electromechanical

**Timers with DIN dimensions**    **DIN counter for panel mount / DIN rail housing, 48 x 48 mm (AC+DC)**    **H 57 / AH 57**

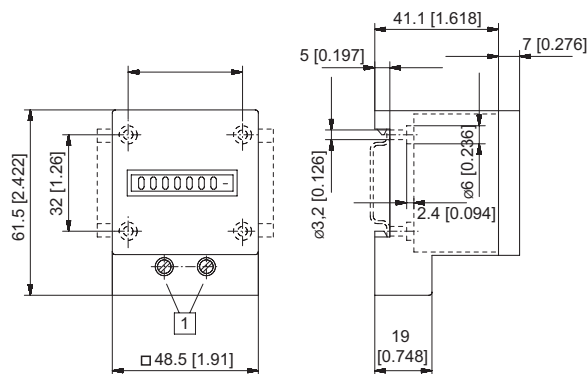
**Standard DIN timer**  
clip mounting, on rear  
Type H 57



1) Screw terminal with flat pin 0.8 x 6.3 [0.031 x 0.25]    2) max. 9 [0.35]

Type	Display	Voltage	Art.-No.					
			10 ... 30 V	20 ... 30 V	42 ... 48 V	100 ... 130 V	187 ... 264 V	360 ... 440 V
H 57	7 digits	AC (50 Hz)		3.220.401.071 <sup>1)</sup>	3.220.401.072	3.220.401.074 <sup>1)</sup>	3.220.401.075 <sup>1)</sup>	3.220.401.079
		AC (60 Hz)		3.220.401.081 <sup>1)</sup>	3.220.401.082	3.220.401.084 <sup>1)</sup>	3.220.401.085 <sup>1)</sup>	3.220.401.089
		DC	3.220.401.351 <sup>1)</sup>			3.220.401.381		
Further stock types:			3.220.401.075.422	187... 264 V AC, IP65				
			3.220.401.351.422	10 ... 30 V DC, IP65				

**Base mount timer**  
DIN rail mount 35 [1.38] acc. to DIN EN 50022  
Type AH 57



1) Screw terminals

Type	Display	Voltage	Art.-No.					
			10 ... 30 V	20 ... 30 V	42 ... 48 V	100 ... 130 V	187 ... 264 V	360 ... 440 V
AH 57	7 digits	AC (50 Hz)		3.223.401.071	3.223.401.072	3.223.401.074 <sup>1)</sup>	3.223.401.075 <sup>1)</sup>	3.223.401.079
		AC (60 Hz)		3.223.401.081	3.223.401.082	3.223.401.084 <sup>1)</sup>	3.223.401.085 <sup>1)</sup>	3.223.401.089
		DC	3.223.401.351 <sup>1)</sup>			3.223.401.381		