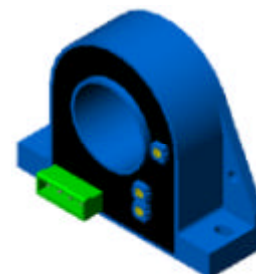


## AC/DC Current transducer DHR-C420

$$I_{PN} = 100..1000 \text{ A}$$

The transducer for the electronic measurement DC & distorted AC waveforms current, with galvanic isolation between the primary (High power) and the secondary circuits (Electronic circuit). True RMS 4-20mA current output.



### Electrical data

Primary Nominal DC & AC Current $I_{PN}$ (A.t.RMS)	Primary AC Current Max. Peak Value $I_P$ (A)	Analogue Output Signal $I_{OUT}$ (mADC)	Type
100	600	4-20	<b>DHR 100 C420</b>
200	600	4-20	<b>DHR 200 C420</b>
300	1000	4-20	<b>DHR 300 C420</b>
400	1000	4-20	<b>DHR 400 C420</b>
500	1800	4-20	<b>DHR 500 C420</b>
600	1800	4-20	<b>DHR 600 C420</b>
1000	1800	4-20	<b>DHR 1000 C420</b>

$R_L$	Load resistance	< 300	$\Omega$
$V_C$	Supply voltage (loop powered)	+20 .. 50	V DC
$I_C$	Current consumption	30 mA + $I_{OUT}$	
	Limitation of output current	< 25	mA
	Overloaded input current (Ampere Turns)	30000	At

### Accuracy-Dynamic performance data

$X$	Accuracy @ $I_{PN}$ , $T_A = 25^\circ\text{C}$ (without offset)	< $\pm 1$	% of $I_{PN}$
$e_L$	Linearity (1% of $I_{PN} \dots \pm I_{PN}$ )	< $\pm 1.0$	% of $I_{PN}$
$I_{OE}$	Electrical offset current, $T_A = 25^\circ\text{C}$	4	mA
$I_{OT}$	Thermal drift of $I_{OE}$ (-20..+60 $^\circ\text{C}$ )	$\pm 1.6$	$\mu\text{A/K}$
	(-40..+70 $^\circ\text{C}$ )	$\pm 3.2$	$\mu\text{A/K}$
$TCE_G$	Thermal drift of the gain (% of reading)	$\pm 0.1$	%/K
$t_r$	Response time @ 90% of $I_p$	< 150	ms
$f$	Frequency bandwidth ( $\pm 1\%$ )	DC 20..6000	Hz

### General data

$T_A$	Ambient operating temperature	-40 .. +70	$^\circ\text{C}$
$T_S$	Ambient storage temperature	-40 .. +85	$^\circ\text{C}$
$m$	Mass	260	g
	Protection type	IP20	
	UL94 classification	V0	

**Notes :** Installation and maintenance should be done with power supply disconnected.  
The operator must have accreditation to install this material.  
The users must take care of all protection guarantee against electrical shock.

### Features

- VFD and SCR waveforms current measurement
- True RMS output
- 4-20mA current output
- Panel mounting
- Eliminates insertion loss

### Advantages

- Large aperture for cable up to  $\varnothing 32\text{mm}$
- High isolation between primary and secondary circuits
- Easy to mount

### Applications

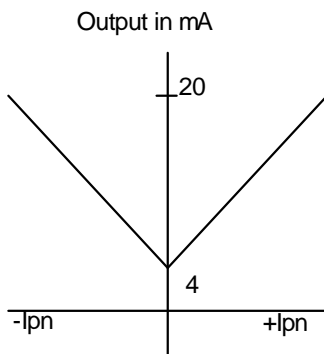
- VFD Controlled Loads:  
VFD output indicates how the motor and attached load are operating.
- SCR Controlled Loads:  
Accurate measurement of phase angle fired or burst fired (time proportioned) SCRs. Current measurement gives faster response than temperature measurement.
- Switching Power Supplies and Electronic Ballasts:  
True RMS sensing is the most accurate way to measure power supply or ballast input power.

**Current Transducer DHR-C420****Isolation characteristics**

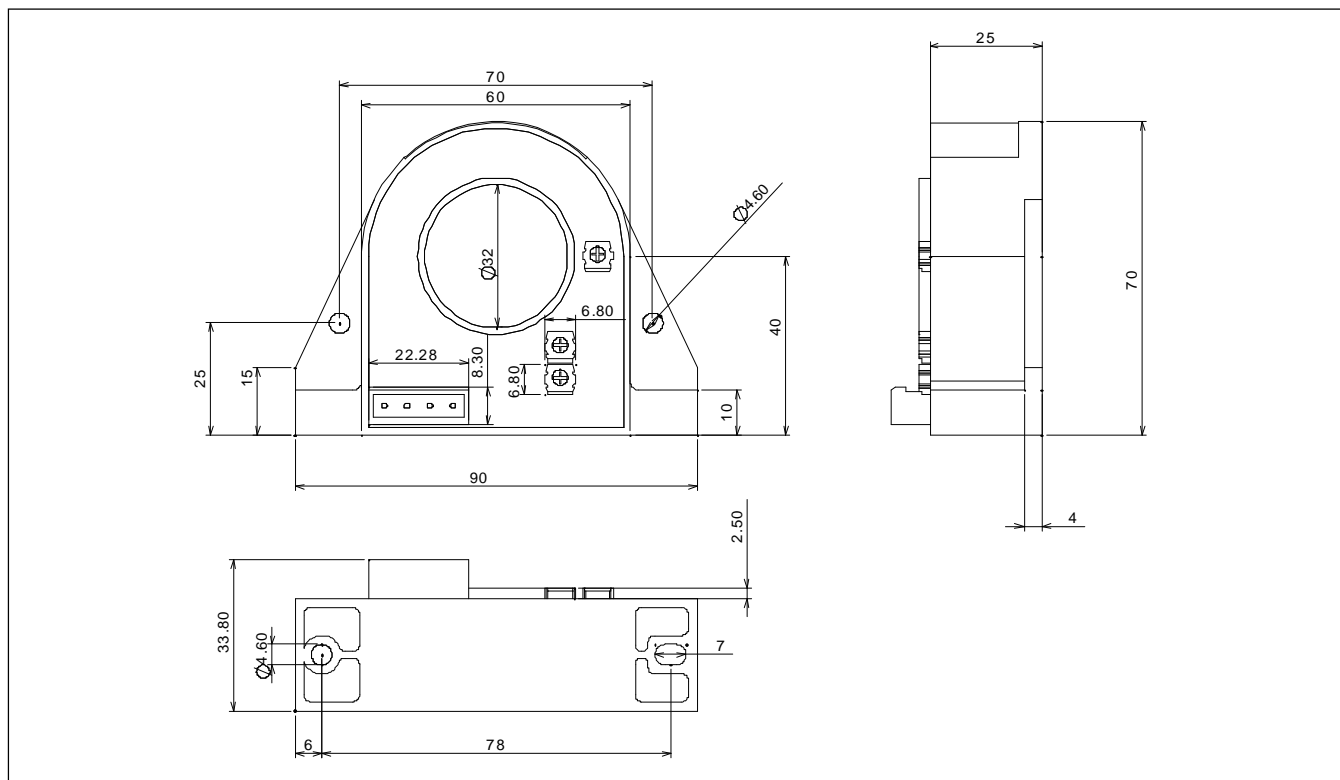
$V_b$	Rated Voltage with IEC 61010-1 acc. to the 61326 standards and following conditions : - Single insulation - Over voltage category CAT III - Pollution degree PD2 - None uniform field	1000	V
$V_d$	R.m.s. voltage for AC insulation test, 50Hz, 1min	5	kV
<b>dCp</b>	Creepage distance	11	mm
<b>dCl</b>	Clearance distance	11	mm
<b>CTI</b>	Comparative tracking index (Group I)	600	

Notes :

Output polarity with DC input

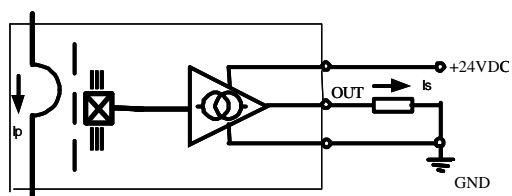
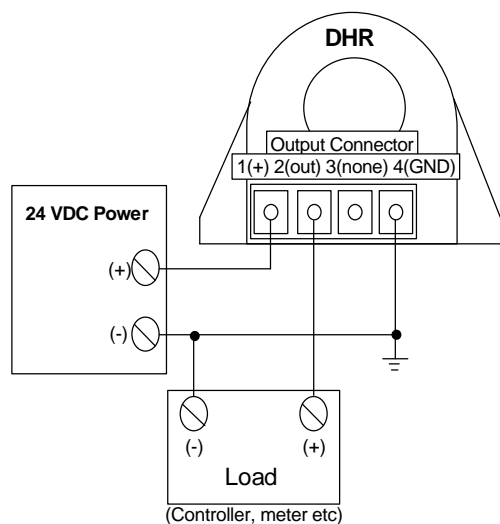


## Dimensions DHR-C420 (in mm. 1 mm = 0.0394 inch)



### Connections

- Wires up to 2 mm  $\varnothing$



### Mechanical characteristics

- General tolerance  $\pm 1$  mm
- Primary aperture  $\varnothing 32.0$  mm
- Panel mounting 4 holes  $\varnothing 4.6$  mm
- Distance between holes 70 mm & 78 mm (see above drawings)

For panel mounting, replace M4 screws by new one (not supplied) with appropriate length to panel's thickness.

### Safety



This transducer must be used in electric/electronic equipment with respect to applicable standards and safety requirements in accordance with the following manufacturer's operating instructions.



Caution, risk of electrical shock

When operating the transducer, certain parts of the module can carry hazardous voltage (eg. primary busbar, power supply). Ignoring this warning can lead to injury and/or cause serious damage.

This transducer is a built-in device, whose conducting parts must be inaccessible after installation.

A protective housing or additional shield could be used. Main supply must be able to be disconnected.

050526/4