



506/507/508

Product Manual

HA389427 Issue 10

WARRANTY

Parker SSD Drives warrants the goods against defects in design, materials and workmanship for the period of 12 months from the date of delivery on the terms detailed in Parker SSD Drives Standard Conditions of Sale IA058393C.

Parker SSD Drives reserves the right to change the content and product specification without notice.

© Copyright 2007 Parker SSD Drives, a division of Parker Hannifin Ltd.

All rights strictly reserved. No part of this document may be stored in a retrieval system, or transmitted in any form or by any means to persons not employed by a Parker SSD Drives company without written permission from Parker SSD Drives, a division of Parker Hannifin Ltd. Although every effort has been taken to ensure the accuracy of this document it may be necessary, without notice, to make amendments or correct omissions. Parker SSD Drives cannot accept responsibility for damage, injury, or expenses resulting therefrom.

Safety Information



Requirements

IMPORTANT: Please read this information **BEFORE** installing the equipment.

Intended Users

This manual is to be made available to all persons who are required to install, configure or service equipment described herein, or any other associated operation.

The information given is intended to highlight safety issues, EMC considerations, and to enable the user to obtain maximum benefit from the equipment.

Complete the following table for future reference detailing how the unit is to be installed and used.

| INSTALLATION DETAILS | |
|--|--|
| Model Number <i>(see product label)</i> | |
| Where installed <i>(for your own information)</i> | |
| Unit used as a: <i>(refer to Certification for the Inverter)</i> | <input type="checkbox"/> Component Apparatus <input type="checkbox"/> Relevant |
| Unit fitted: | <input type="checkbox"/> Wall-mounted <input type="checkbox"/> Enclosure |

Application Area

The equipment described is intended for industrial motor speed control utilising AC induction or AC synchronous machines.

Personnel

Installation, operation and maintenance of the equipment should be carried out by qualified personnel. A qualified person is someone who is technically competent and familiar with all safety information and established safety practices; with the installation process, operation and maintenance of this equipment; and with all the hazards involved.

Safety Information



Product Warnings

| | | | | | |
|--|--|--|--|--|--|
| | Caution Risk of electric shock | | Caution Refer to documentation | | Earth/Ground Protective Conductor Terminal |
|--|--|--|--|--|--|

Hazards

DANGER! - Ignoring the following may result in injury

1. This equipment can endanger life by exposure to rotating machinery and high voltages.
2. The equipment must be permanently earthed due to the high earth leakage current, and the drive motor must be connected to an appropriate safety earth.
3. Ensure all incoming supplies are isolated before working on the equipment. Be aware that there may be more than one supply connection to the drive.
4. There may still be dangerous voltages present at power terminals (motor output, supply input phases, DC bus and the brake, where fitted) when the motor is at standstill or is stopped.
5. For measurements use only a meter to IEC 61010 (CAT III or higher). Always begin using the highest range. CAT I and CAT II meters must not be used on this product.
6. Allow at least 5 minutes for the drive's capacitors to discharge to safe voltage levels (<50V). Use the specified meter capable of measuring up to 1000V dc & ac rms to confirm that less than 50V is present between all power terminals and earth.
7. Unless otherwise stated, this product must NOT be dismantled. In the event of a fault the drive must be returned. Refer to "Routine Maintenance and Repair".

Safety Information



WARNING! - Ignoring the following may result in injury or damage to equipment

SAFETY

Where there is conflict between EMC and Safety requirements, personnel safety shall always take precedence.

- Never perform high voltage resistance checks on the wiring without first disconnecting the drive from the circuit being tested.
- Whilst ensuring ventilation is sufficient, provide guarding and /or additional safety systems to prevent injury or damage to equipment.
- When replacing a drive in an application and before returning to use, it is essential that all user defined parameters for the product's operation are correctly installed.
- All control and signal terminals are SELV, i.e. protected by double insulation. Ensure all external wiring is rated for the highest system voltage.
- Thermal sensors contained within the motor must have at least basic insulation.
- All exposed metalwork in the Inverter is protected by basic insulation and bonded to a safety earth.
- RCDs are not recommended for use with this product but, where their use is mandatory, only Type B RCDs should be used.

EMC

- In a domestic environment this product may cause radio interference in which case supplementary mitigation measures may be required.
- This equipment contains electrostatic discharge (ESD) sensitive parts. Observe static control precautions when handling, installing and servicing this product.
- This is a product of the restricted sales distribution class according to IEC 61800-3. It is designated as "professional equipment" as defined in EN61000-3-2. Permission of the supply authority shall be obtained before connection to the low voltage supply.

Safety Information



CAUTION!

APPLICATION RISK

- The specifications, processes and circuitry described herein are for guidance only and may need to be adapted to the user's specific application. We can not guarantee the suitability of the equipment described in this Manual for individual applications.

RISK ASSESSMENT

Under fault conditions, power loss or unintended operating conditions, the drive may not operate as intended.

In particular:

- Stored energy might not discharge to safe levels as quickly as suggested, and can still be present even though the drive appears to be switched off
- The motor's direction of rotation might not be controlled
- The motor speed might not be controlled
- The motor might be energised

A drive is a component within a drive system that may influence its operation or effects under a fault condition.

Consideration must be given to:

- Stored energy
- Supply disconnects
- Sequencing logic
- Unintended operation

Contents

| | <i>Contents</i> | <i>Page</i> |
|-----------|---|-------------|
| Chapter 1 | PRODUCT OVERVIEW | |
| | Description | 1-1 |
| | Product Range | 1-1 |
| Chapter 2 | OVERVIEW OF THE 506/507/508 | |
| | • <i>User Supplied Primary Components</i> | 2-1 |
| | • <i>Optional Ancillary Components</i> | 2-1 |
| Chapter 3 | TERMINAL DESCRIPTION | |
| | Control Terminals | 3-1 |
| | Power Terminals | 3-2 |
| | Auxiliary Terminals..... | 3-2 |
| | Switches..... | 3-3 |
| | Potentiometers | 3-3 |
| | LEDS | 3-3 |
| Chapter 4 | INSTALLING THE 506/507/508 | |
| | Installation | 4-1 |
| | Speed Control..... | 4-1 |
| | Current Control | 4-1 |
| | Wire Sizes..... | 4-2 |
| | Requirements for UL Compliance | 4-3 |
| | Motor Overload Protection | 4-3 |
| | Short Circuit Protection Requirements | 4-3 |
| | Short Circuit Rating | 4-3 |
| | Operating Ambient Temperature | 4-3 |
| | Field Wiring Temperature Rating | 4-3 |
| | Field Wiring Terminal Markings | 4-3 |
| | Power Wiring Terminals..... | 4-3 |
| | Block Diagram | 4-4 |
| | Terminal Tightening Torque..... | 4-6 |
| | Field Grounding Terminals | 4-6 |
| | Fitting | 4-6 |
| | Removing the Cover | 4-7 |
| | Filter | 4-8 |
| | EMC Connections | 4-9 |

Contents

| | <i>Contents</i> | <i>Page</i> |
|------------------|---|-------------|
| | Installation and Set-Up | 4-9 |
| | Warning | 4-9 |
| | Switch Selection..... | 4-9 |
| | Potentiometer..... | 4-10 |
| | Motor | 4-10 |
| | Wiring | 4-10 |
| | Applying Power | 4-10 |
| | Fault Finding..... | 4-12 |
| Chapter 5 | ROUTINE MAINTENANCE AND REPAIR | |
| | Routine Maintenance..... | 5-1 |
| | Repair | 5-1 |
| | Returning the Unit to Parker SSD Drives..... | 5-1 |
| Chapter 6 | CERTIFICATION FOR THE 506/507/508 | |
| | Certificates | 6-2 |
| Chapter 7 | TECHNICAL SPECIFICATION | |
| | Input Supply..... | 7-1 |
| | Speed Control..... | 7-1 |
| | Current (Torque) Control | 7-1 |
| | Adjustment Range | 7-2 |
| | Environmental Requirements..... | 7-2 |
| | EMC Technical Ratings | 7-3 |
| | • Immunity..... | 7-3 |
| | • Emissions..... | 7-3 |
| | Electrical Ratings | 7-4 |
| | Output Ratings with typical armature voltage, V_a , 80/90V (160/180V) | 7-4 |
| | Adjustment Ranges..... | 7-4 |
| | Product Code..... | 7-5 |

PRODUCT OVERVIEW

Description

The 506/507/508 series controllers are compact, non-isolated motor speed controllers specifically designed for dc shunt wound and permanent magnet motors. The controllers are intended to operate from a single phase AC mains supply in the ranges 110/120V AC or 220/240V AC 50/60Hz.

The controllers are intended to be mounted on a length of DIN rail in an enclosure.

Control of the associated DC motor is achieved by using a linear closed loop feedback signal based on the motor's own DC armature voltage. This enables constant motor speed to be maintained throughout variable motor loads. Improved speed measurement can be obtained by using a tacho-generator, connected to the motor's shaft, to provide the feedback signal.

A current loop within the speed feedback path ensures that safe current levels are always provided to the armature of the motor up to the level set by the maximum current potentiometer (I_{max}). This adjustment is linear and switchable to a lower range of half the controller current.

If the controlled motor is stalled (e.g. due to either a faulty field circuit or an excessive load), then a stall timer will remove current from the motor after approximately 15 seconds. Severe armature current overloads, are protected against by an instantaneous over-current trip.

The controllers may also be used in a linear motor torque mode by using an adjustable setpoint. In this mode of operation over-speed limiting is a standard feature.

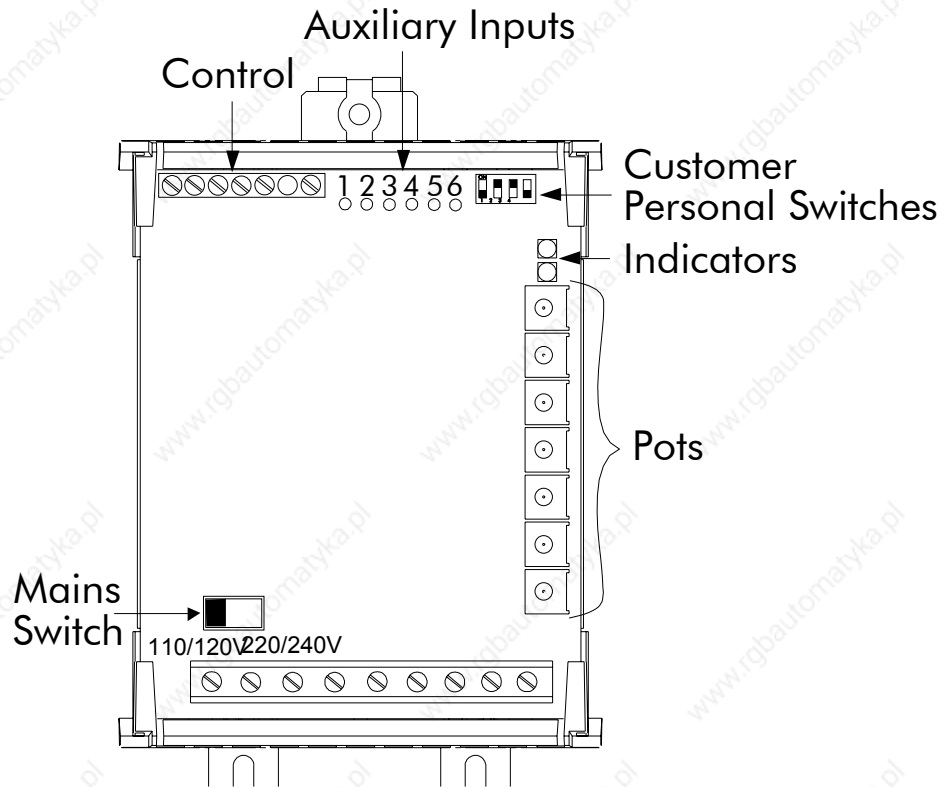
Product Range

| Product | Rating | Adjustment Standard | Switched |
|---------|--------------------------|---------------------|--------------|
| 506 | 3A DC Full Load Current | 0.5 to 3A | 0.25 to 1.5A |
| 507 | 6A DC Full Load Current | 1 to 6A | 0.5 to 3A |
| 508 | 12A DC Full Load Current | 2 to 12A | 1 to 6A |

1-2 Product Overview

OVERVIEW OF THE 506/507/508

Figure 2.1 Recognition Drawing



User Supplied Safety Components

Speed /

Torque Potentiometer 10K Isolated spindle and insulating knob

Switch

Rated for input supply voltage.

Note: Safety Components provide Isolation for the User. These components should be selected to provide a double insulated (or reinforced) isolation boards for the user suitable for the input supply voltage used. The product is designed for use in a pollution degree 2 environment, overvoltage category III, enclosure mounted. (Refer to EN61010, IEC664 or EN50178 for more information regarding the correct selection of these components).

Optional Ancillary Components

EMC Filter 18A ac(12A dc) CO389115

2-2 Overview of the 506/507/508

TERMINAL DESCRIPTION

| Control Terminals | | | |
|--------------------------|------------------|--|---------------------------------|
| Terminal | Function | Description | Notes |
| 1 | Tacho Feedback | Motor Mounted Tachogenerator Input Terminal. | 200V dc Max. |
| 2 | 0V-Signal Common | Control Signal Reference. | Must NOT be Earthed (Grounded). |
| 3 | Run | Digital Input to Enable Controller. Connect to 0V to Run in Speed. Connect to + 10V to Run in Current. | Input Impedance -> 20k Ohm |
| 4 | Speed Setpoint | Analogue Input, 0v to +10V = 0 to 100% Speed. | Input Impedance - 66k Ohm |
| 5 | +10V Reference | Analogue Output, +10V Reference for Speed and Current Setpoints. | Load - 2mA |
| 6 | Current Limit | Analogue Input, 0 to +10V=0 to 100% Current | Input Impedance - 100k Ohm |



WARNING!

This is a non-isolated product. The control connections are not isolated from the AC supply. Any connection to earth or use of earth (ground) referenced components either deliberately or unintentionally will cause permanent damage to the controller.

3-2 Terminal Description

Power Terminals

The product may be connected phase - to - phase provided the resultant voltage does not exceed the maximum supply voltage specified.

| Terminal | Function | Description | Notes |
|---|---------------------------|--|-------|
| L1 (L) | AC Input Live | AC Supply Terminal Line 1 or Live | |
| L2 (N) | AC Input Neutral | AC Supply Terminal Line 2 or Neutral | |
| F+ | Field Positive | Field Output Positive | |
| F- | Field Negative | Field Output Negative | |
| A- | Armature Negative | Armature Output Negative | |
| A+ | Armature Positive | Armature Output Positive | |
| Grd  | Protective Earth (Ground) | Drive Module Protective Earth (Ground) | |
| Grd  | Protective Earth (Ground) | Motor Protective Earth (Ground) | |

Auxiliary Terminals

* The power must be supplied from an independent power supply which is not earth (ground) referenced.

| Terminal | Function | Description | Notes |
|----------|--------------------|---------------------------------|--------------------------------|
| A1 | Auxiliary Supply | Auxiliary Relay Supply | +16V at 10mA |
| A2 | 0V - Signal Common | Signal Reference | Must not be earthed (grounded) |
| A3 | Zero Speed | Zero Speed Output | 24V at 50mA open Collector * |
| A4 | Health | Health Output | 24V at 50mA open Collector * |
| A5 | Zero Speed Level | Zero Speed Output Level Trim | For other levels see Table 3.1 |
| A6 | Auxiliary Setpoint | Auxiliary Direct Speed Setpoint | +10V @ 100K Full Speed Input |

Table 3.1

| External Resistor | Terminal Volts at Zero Speed | 180V _a | 90V _a |
|-------------------|------------------------------|-------------------|------------------|
| -- | 10.75V | 6% | 12% |
| 4k7 | 5.5V | 3% | 6% |
| 2k2 | 2.5V | 2% | 4% |
| 1k | 2V | 1% | 2% |

The zero speed detector operates from the Controller Output voltage, the default level is set to 6% of 180V dc.

Switches

| Switch | Off | On |
|--------|--|--|
| SW1 | I _{max.} 506 - 0.25 to 1.5A I _{max.} 507 - 0.5 to 3.0A I _{max.} 508 - 1.0 to 6.0A | I _{max.} 506 - 0.5 to 3.0A I _{max.} 507 - 1.0 to 6.0A I _{max.} 508 - 2.0 to 12.0A |
| SW2 | ½ Speed Demand | Full Speed Demand |
| SW3 | ¼ Speed Feedback | Full Speed Feedback |
| SW4 | Tacho Feedback | Armature Feedback |

Potentiometers

| | | |
|----|---------------------|---|
| P1 | RAMP UP | Setpoint ramp adjustment clockwise to increase time. |
| P2 | RAMP DOWN | Setpoint ramp adjustment clockwise to increase time. |
| P3 | SPEED STABILITY | Speed loop stability clockwise increase response. |
| P4 | CURRENT CALIBRATION | Output current calibration clockwise to increase output. |
| P5 | IR COMPENSATION | Speed droop compensation armature voltage feedback. |
| P6 | MINIMUM SPEED | Clockwise to increase compensation. Minimum speed at zero setpoint. (Can also be used as zero speed trim anticlockwise to reduce speed at zero setpoint). |
| P7 | MAXIMUM SPEED | Maximum speed calibration clockwise to increase speed. |

LEDS

| | |
|----------|---|
| POWER-ON | Indicates power supply is present on terminals. (Note:- This LED does not indicate that the <u>CORRECT</u> voltage is applied). |
| HEALTH | When illuminated the controller is unhealthy due to either an overcurrent trip or a stall trip condition. Should normally be "OFF". |

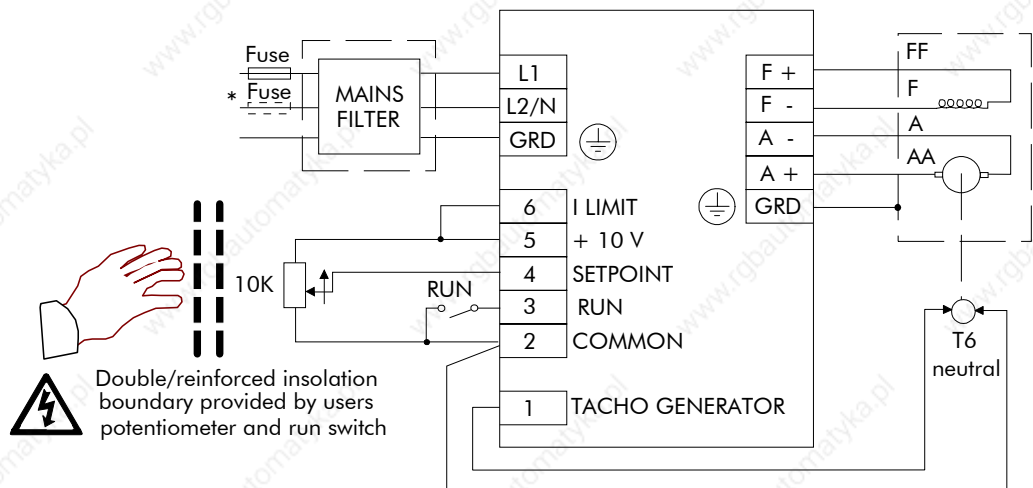
3-4 Terminal Description

INSTALLING THE 506/507/508

Installation

Speed Control

Figure 4.1 Wiring Diagram Speed Control

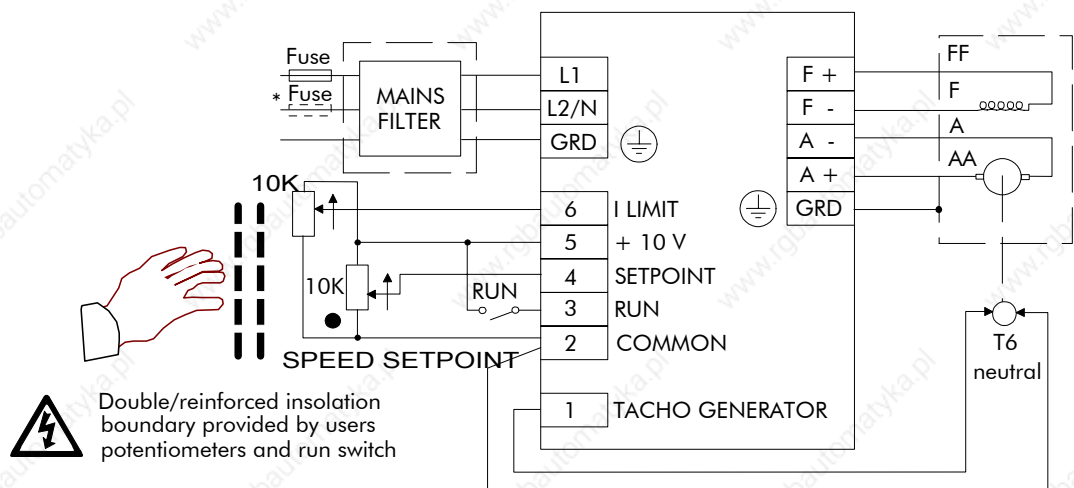


- * Additional line fuse recommended for applications where live connections are made rather than live and neutral.

'Run' connects to Common to 'Enable' Speed Control.

Current Control

Figure 4.2 Wiring Diagram Current Control



- Optional Speed Setpoint potentiometer to limit overspeed, connect setpoint direct to +10V if not required.

- * Additional line fuse recommended for applications where live connections are made rather than live and neutral

'Run' connected to +10V to 'Enable' Current Control and 'Override' Stall detection.

4-2 Installing the 506/507/508

WARNING!

Ensure that all wiring is electrically isolated and cannot be made "live" unintentionally by other personnel.

Wire Sizes

* Contains semiconductor fuses as recommended below.

| Model | Maximum Output Rating | Function | Cable (Wire) Size | AC Supply Fuse Rating | SSD Drives Fuse Isolator Kit Part Numbers * |
|-------|-----------------------|---|--|-----------------------|---|
| 506 | 3A | DC Armature, AC Supply, Ground | 1.5mm ² / 16AWG | 10A | LA054664 |
| 507 | 6A | AC Supply, Ground DC Armature | 2.5mm ² / 14AWG 1.5mm ² / 16AWG | 10A | LA054664 |
| 508 | 12A | AC Supply DC Armature, Ground | 6.0mm ² / 10AWG 4.0mm ² / 12AWG | 20A | LA050062 |

Terminal Tightening Torques

| Terminal | Torque Setting |
|----------|---------------------|
| Power | 0.8 Nm 7 lbf-in |
| Control | 0.56 Nm 5 lbf-in |

Ferraz Semiconductor Fuses

| Fuse Rating | Ferraz Type No. | SSD Drives Part No. |
|-------------|-----------------|---------------------|
| 10A, 250V | 250VFA10A6X32 | CH230014 |
| 20A, 250V | 250VFA20A6X32 | CH230024 |

Requirements for UL Compliance

For installations requiring compliance with UL Standards.

Motor Overload Protection

An external motor overload protective device must be provided by the installer. This device can comprise of a thermal sensor within the motor winding monitored by an external relay but this combination cannot be evaluated by UL. Hence, it is the responsibility of the installer/local inspector to determine whether the combination is in compliance with the National Electrical Code or local code requirements.

Short Circuit Protection Requirements

UL Recognized semiconductor fuses must be installed upstream of the controllers. Refer to the semiconductor fuses table on the previous page for recommended semiconductor fuse manufacturer and type number.

Short Circuit Rating

The 506 and 507 controllers are suitable for use on a circuit capable of delivering not more than 1000 RMS symmetrical amperes, 240V maximum; whilst the 508 controller is suitable for use on a circuit capable of delivering not more than 5000 rms symmetrical amperes, 240V maximum.

Operating Ambient Temperature

The maximum operating ambient temperature rating is 40°C.

Field Wiring Temperature Rating

Use 75°C copper conductors only.

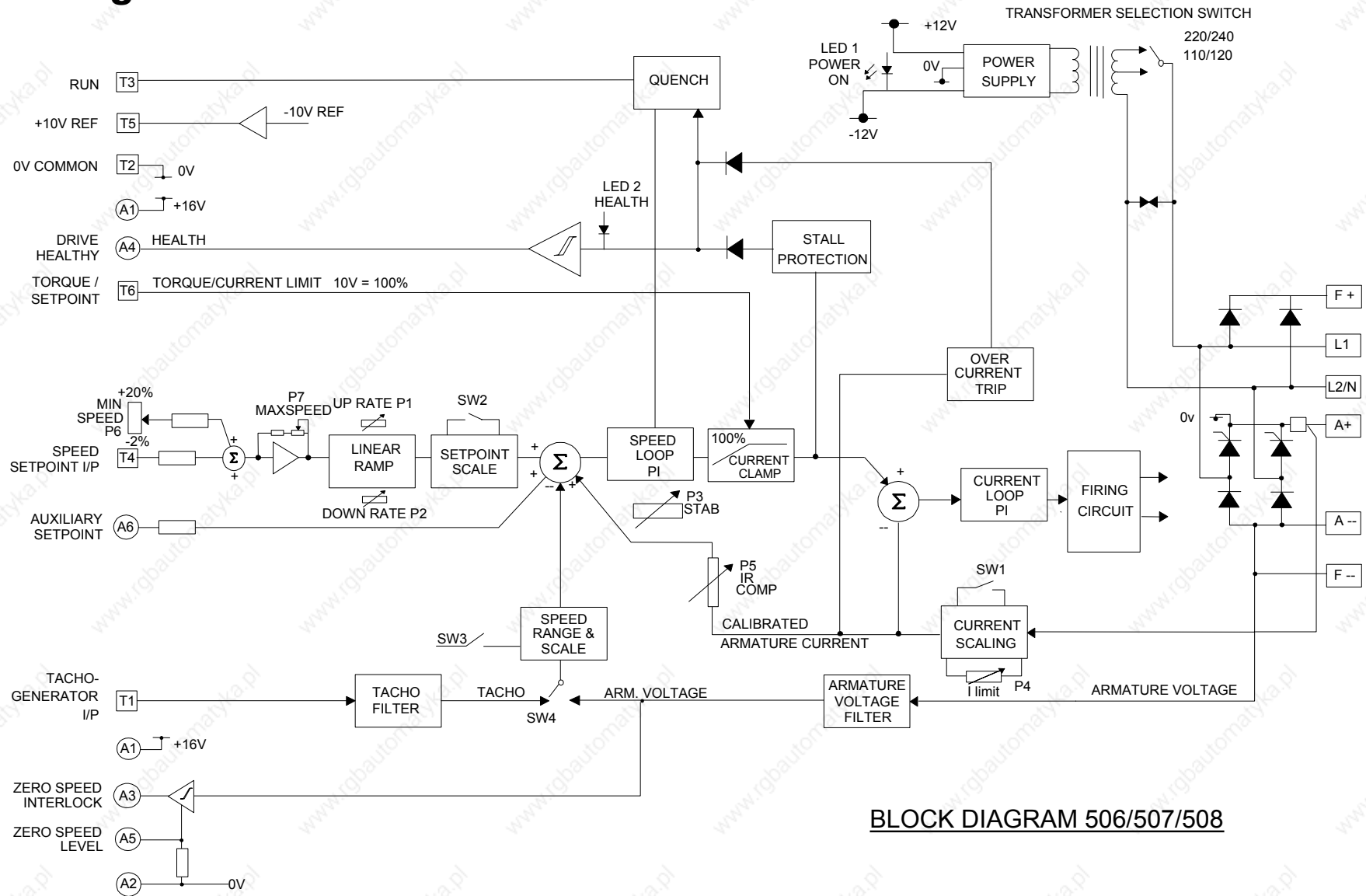
Field Wiring Terminal Markings

For correct field wiring connections that are to be made to each terminal, refer to Chapter 5: “Terminal Description” - Power Terminals and Chapter 3 “Technical Specification” - Control Terminals.

Power Wiring Terminals

The power wiring terminals accept a maximum conductor size of No. 10 AWG (5.3mm²).

Block Diagram



4-6 Installing the 506/507/508

Terminal Tightening Torque

Refer to the Terminal Tightening torque table shown on page 4-2 for both the Power and Control Terminals.

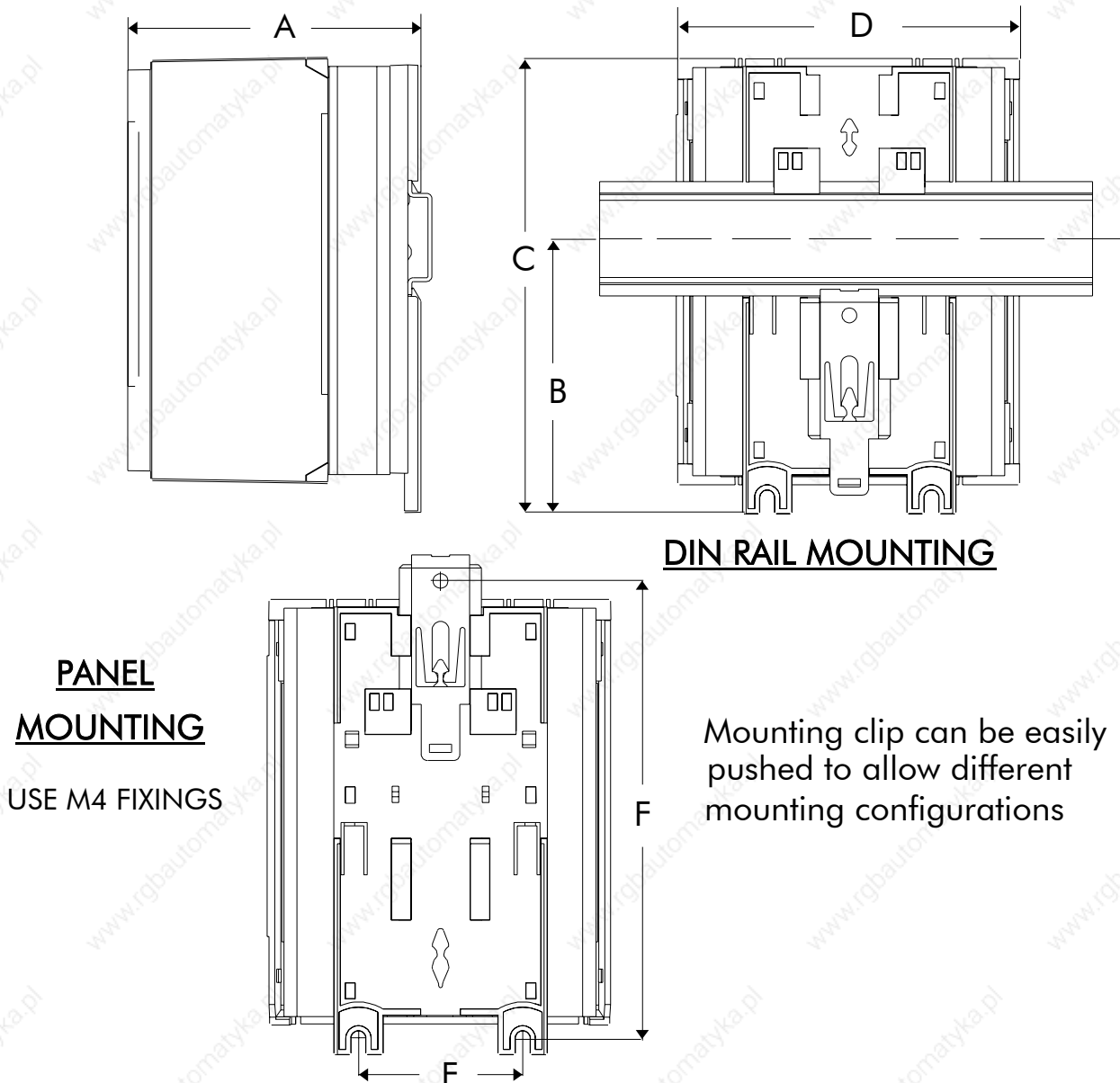
Field Grounding Terminals

The field grounding terminals are identified with the International Grounding Symbol \oplus (IEC Publication 417, Symbol 5019).

Fitting

Figure 4.3 Product Mechanical Arrangement

Allow 50mm above and below product for cooling. Allow 8cm access to one side of the unit. Mount the unit with the cover in place.



Installing the 506/507/508 4-7

| DIM | IP20 | | |
|-----|--------|--------|--------|
| | 506 | 507 | 508 |
| A | 80 mm | 80 mm | 90 mm |
| B | 84 mm | 84 mm | 84 mm |
| C | 140 mm | 140 mm | 140 mm |
| D | 105 mm | 105 mm | 105 mm |
| E | 50 mm | 50 mm | 50 mm |
| F | 140 mm | 140 mm | 140 mm |

Removing the Cover

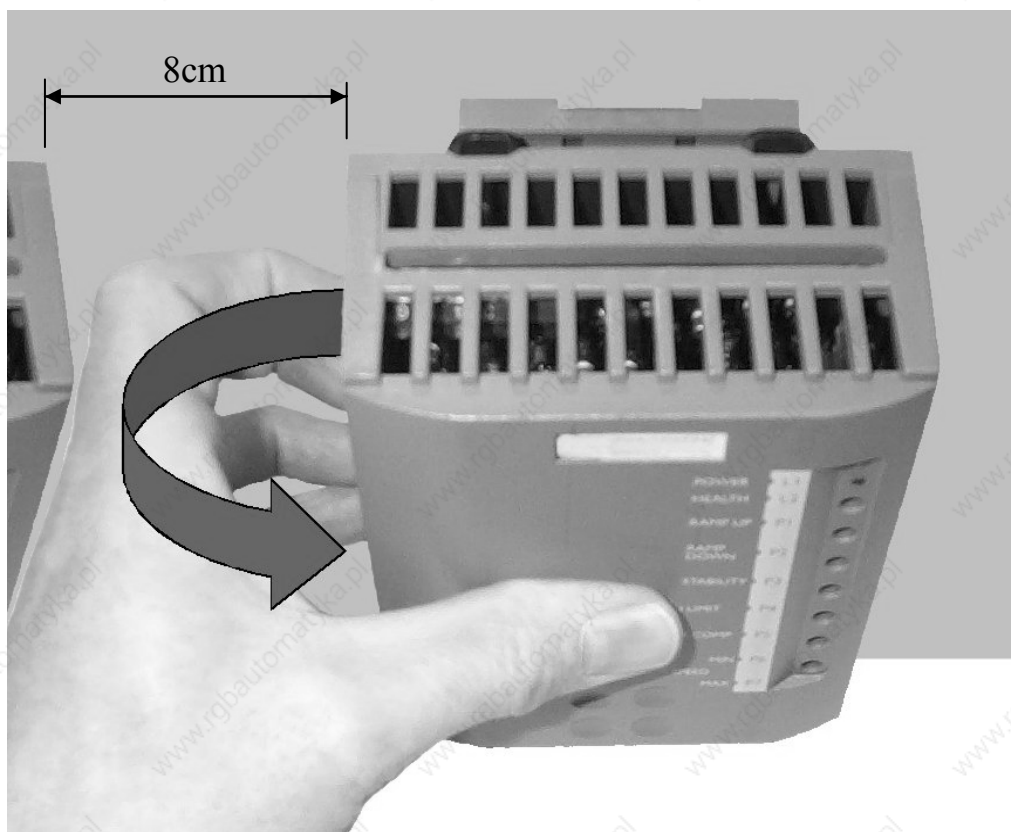
WARNING!

Isolate the controller before fitting or removing the cover.

Remove the cover to access the terminals and switches.

It is removed easily when the unit is mounted on the backplate.

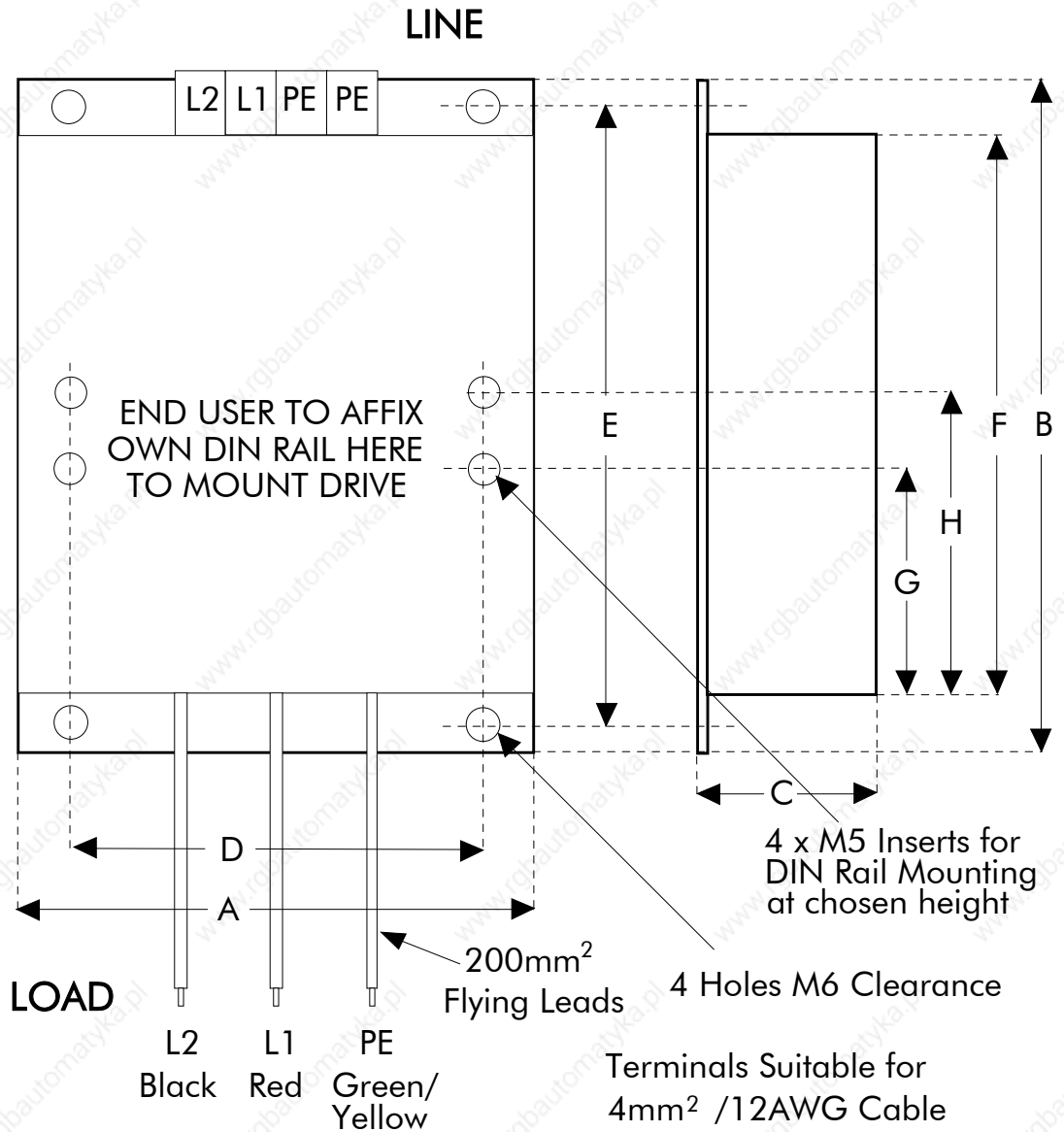
There are no screw fixings. It snaps back on to the front of the drive.



4-8 Installing the 506/507/508

Filter

Figure 4.4 Filter Mechanical Arrangement

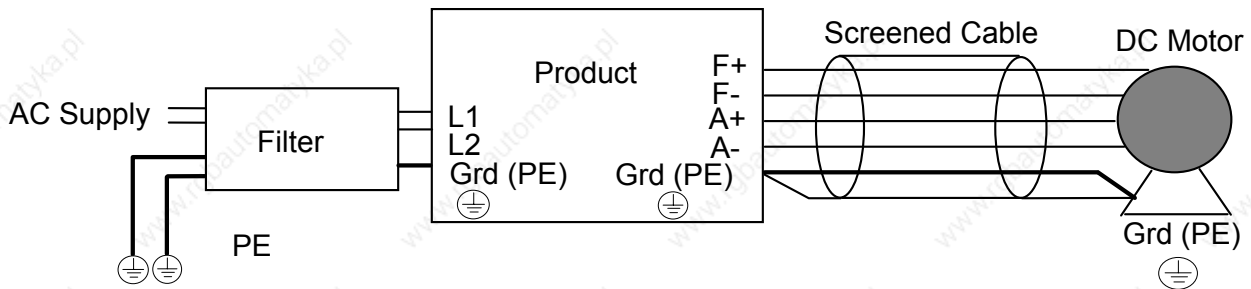


| 506/507/508 | | | | | | | | | |
|-------------|------------|--------------------|-----|----|----------------|-----|-----|----|----|
| Filter | Watt Loss* | Overall Dimensions | | | Fixing Centres | | F | G | H |
| | | A | B | C | D | E | | | |
| CO389115 | 9.5W | 100 | 159 | 55 | 84 | 147 | 135 | 63 | 78 |

Note: * Note:- Watt Loss value is at a current output of 12 Amps dc.

EMC Connections

Figure 4.5 Wiring Diagram Mains Filter



Installation and Set-Up

Warning

Before applying power check:-

Switch Selection

- Mains switch set to intended supply voltage, **Left** 110/120, **Right** 220/240
- Personality switches.

| SW1 | OFF | ON |
|-----|------------|-----------|
| 506 | 0.25 to 3A | 0.5 to 3A |
| 507 | 0.5 to 3A | 1 to 6A |
| 508 | 1 to 6A | 2 to 12A |

| Speed | Range | Maximum Feedback Voltage Range |
|-------|-------|--------------------------------|
| SW2 | SW3 | Armature or Tacho |
| OFF | OFF | 15 to 30 |
| ON | OFF | 30 to 60 |
| OFF | ON | 60 to 120 |
| ON | ON | 120 to 180 |

| SW4 | OFF | ON |
|----------|------|----------|
| FEEDBACK | TACH | ARMATURE |

4-10 Installing the 506/507/508

Note: Even when intending to utilise tachogenerator feedback it may be wise to initially run under armature control. Set feedback voltage switches accordingly. Note that if this procedure is followed the tachogenerator must be temporarily disconnected as it will affect operation of the controller.

Potentiometer

| (a) Product | Default |
|--------------|----------------|
| P1 Ramp Up | Anti-clockwise |
| P2 Ramp Down | Anti-clockwise |
| P3 Stability | Mid |
| P4 I Limit | Anti-clockwise |
| P5 IR Comp | Anti-clockwise |
| P6 Min Speed | Anti-clockwise |
| P7 Max Speed | Mid. |

(b) External
Speed setpoint to minimum.

Motor

- (a) Check motor is compatible with controller and settings.
- (b) Check motor and load are free to rotate.

Wiring

- (a) Check there is no loose wire ends on the PCB.
- (b) Check that there are no free wire ends on external controls liable to contact grounded metal or earth (ground) referenced parts.

Applying Power

1. Power on LED 1 should illuminate.
2. Close “RUN” contact and apply a small speed setpoint (5%). Armature current should now flow, the motor should turn and run at a fixed speed.

If the motor runs above 5% up to top speed Open Run Contact.

If the controller is in “Armature” Control then excess speed is due to incorrect setting of SW2 and 3, the speed scaling.

If the controller is in “Tacho” control then excess speed is due to incorrect polarity of feedback. Alter wiring as follows:-

Problem

Action

Direction correct but overspeeding.

Reverse Tachogenerator polarity only.

Direction incorrect and overspeeding.

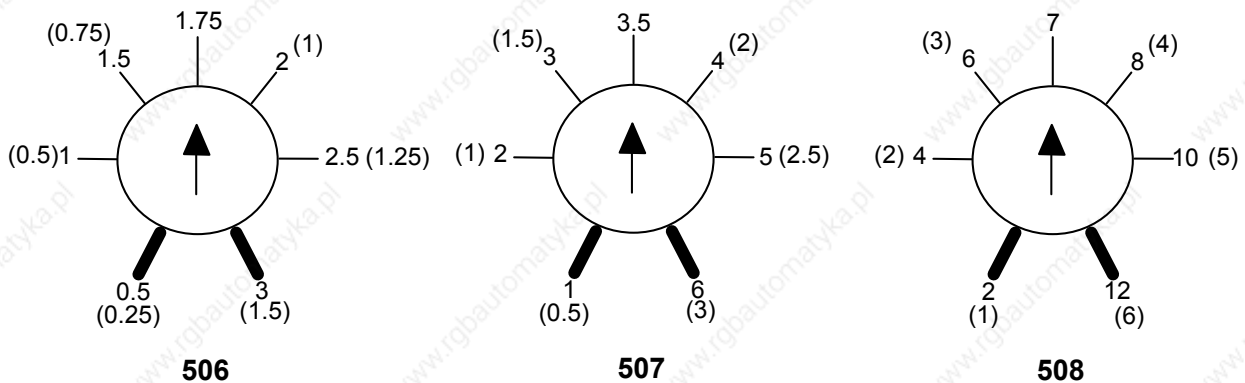
Reverse field polarity only.

If motor does not run, increase I limit potentiometer P4 as current may be insufficient for rotation. The Health light LED2 may light in this condition after 15 seconds indicating a Stall, remove and reapply power to reset condition.

If the motor is in control but runs in the wrong direction either:-

- (a) Armature Control - Reverse Field Polarity.
- (b) Tacho Control - Reverse Field AND Tacho Polarity.

3. Increase speed setpoint to maximum and check armature voltage does not exceed rated value, adjust maximum speed using P7. If a minimum speed setting is required reduce speed setpoint potentiometer to zero adjust minimum speed potentiometer P6 to give required value. With speed setpoint at maximum, re-adjust maximum speed with P7.
4. Adjust I Limit potentiometer to suit Motor Current Rating.



More accurate adjustment may be achieved by inserting a meter in the armature circuit.

5. Adjust Ramp Up P1 and Ramp Down P2 potentiometers as required.
6. In Armature Voltage Feedback, speed droop will occur as load is applied. Adjust IR compensation P5 to reduce this effect. Excessive adjustment may cause instability.
7. It may be necessary to adjust the Speed Stability Potentiometer P3 to improve speed response. Excessive adjustment may cause instability.

4-12 Installing the 506/507/508

Fault Finding

| Problem | Possible Cause | Remedy |
|--|---|--|
| Controller will not power up - no 'on' indication. | Wrong supply voltage. Line fuses blown (if fitted). | Check setting on mains switch. It is likely that if too high a voltage has been used the Controller will be permanently damaged. Power off, check circuits and replace fuses. |
| Motor will not turn. | No run circuit. No setpoint. | Check run contact and wiring. Check connections to and operation of setpoint potentiometer. |
| Motor accelerates out of control with tacho-generator feedback and small setpoint. | Tacho polarity. Tacho linkage. Tacho faulty. | Power off and reverse tacho connections. Check tacho coupling to motor. Remove and replace tacho. |
| Motor rotates in the wrong direction. Speed is controlled though. | Motor connections are wrong for required direction with: 1. Armature voltage feedback. 2. Tacho-generator | Power off and reverse armature connections. Power off and reverse <u>both</u> armature and tacho connections. |
| Motor will not turn and the stall light comes on after 15 seconds in speed control mode. | Motor shaft locked or jammed. No field current (not applicable for permanent magnet motors). No armature current. Low current limit. | Power off and check motor and load for stiffness or jamming. Check that DC voltage across motor field terminals is present. If not power off and check field circuit for continuity. Power off and check armature circuit for continuity. Check current limit with +10V link on Controller. |
| Motor will only run at full speed. | Maximum speed setpoint. | Check connections to and operation of setpoint potentiometer. |

Installing the 506/507/508 4-13

| Problem | Possible Cause | Remedy |
|---|--|---|
| Motor will not run at correct maximum speed. | Wrong speed range selection on preset switches. | Refer to Installation and Set-up chapter. |
| Stall light comes on after 15 seconds in current control mode. | Incorrect wiring of run contact. | Run contact should be wired between the two terminals marked 'run' and '+10V'. |
| Stall light comes on immediately after the 'run' contact is closed. | Faulty or incorrect load across the 'A+' and 'A-' terminals. | Check motor armature thoroughly. The Controller should not be used on motors with a low inductance. |

4-14 Installing the 506/507/508

ROUTINE MAINTENANCE AND REPAIR

Routine Maintenance

Periodically inspect the motor speed controller for build-up of dust or obstructions that may affect ventilation of the unit. Remove this using dry air.

Repair

There are no user-serviceable components.

IMPORTANT: MAKE NO ATTEMPT TO REPAIR THE UNIT - RETURN IT TO PARKER SSD DRIVES.

Returning the Unit to Parker SSD Drives

Please have the following information available:

- The model and serial number - see the unit's rating label
- Details of the fault

Contact your nearest Parker SSD Drives Service Centre to arrange return of the item.

You will be given a *Returned Material Authorisation*. Use this as a reference on all paperwork you return with the faulty item. Pack and despatch the item in the original packing materials; or at least an antistatic enclosure. Do not allow packaging chips to enter the unit.

5-2 Routine Maintenance and Repair

EMC CERTIFICATION FOR THE 506/507/508

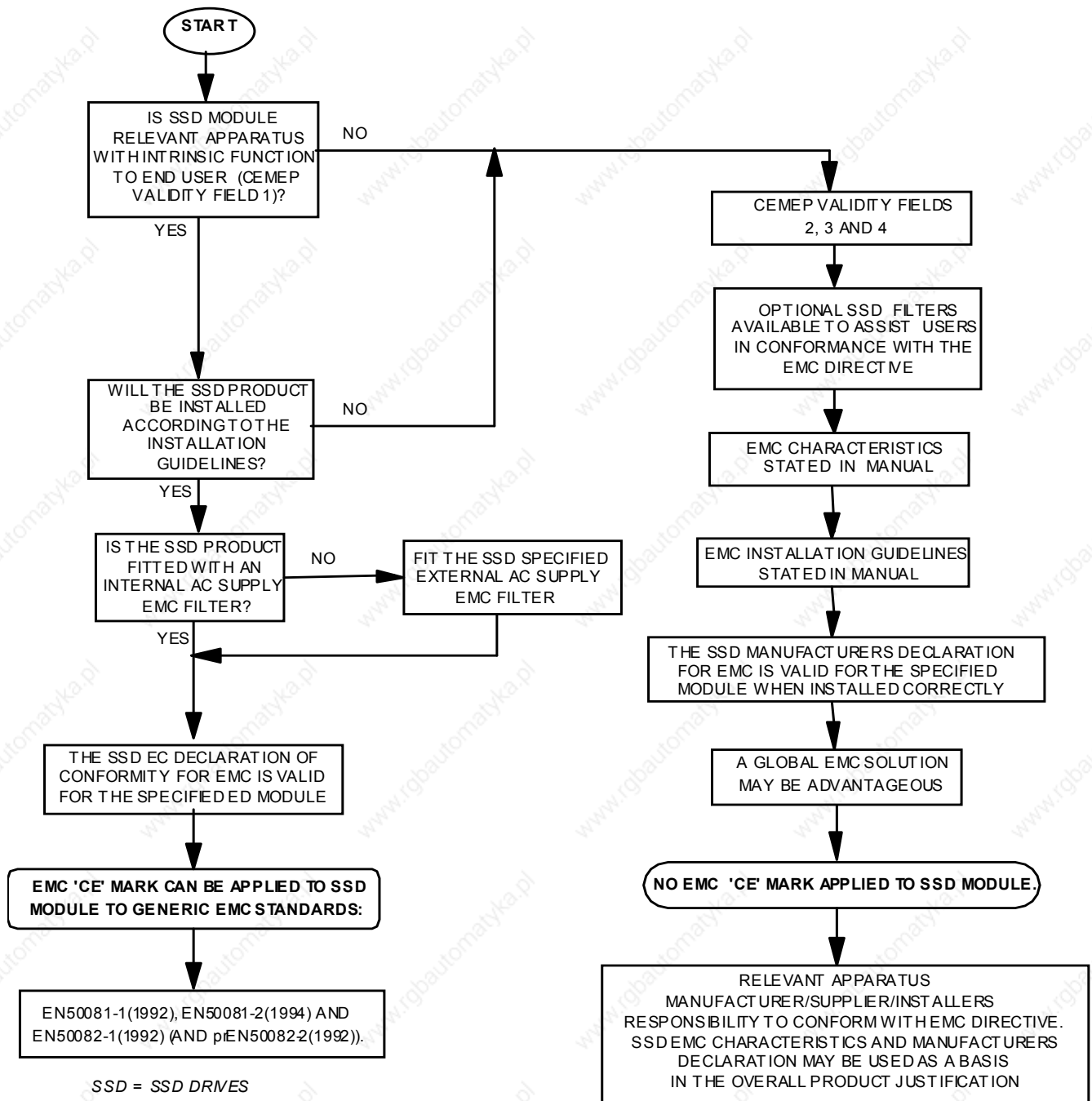



Figure 6-1 Parker SSD Drives EMC 'CE' Mark Validity Chart

For more information refer to HA388879 EMC Installation Guidelines for Modules and Systems available from your local Parker SSD Drives office.

6-2 Certification for the 506/507/508

Certificates

| 506/507/508 | |
|--|--|
| CE EC DECLARATIONS OF CONFORMITY Date CE marked first applied: 01.04.2000 | |
| EMC Directive | Low Voltage Directive |
| In accordance with the EEC Directive 2004/108/EC | In accordance with the EEC Directive 2006/95/EC |
| We Parker SSD Drives, address as below, declare under our sole responsibility that the above Electronic Products when installed and operated with reference to the instructions in the Product Manual (provided with each piece of equipment) is in accordance with the relevant clauses from the following standard:- | We Parker SSD Drives, address as below, declare under our sole responsibility that the above Electronic Products when installed and operated with reference to the instructions in the Product Manual (provided with each piece of equipment), is in accordance with the relevant clauses from the following standard :- |
| * BSEN61800-3 (2004) | EN50178 (1998) |
| MANUFACTURERS DECLARATIONS | |
| EMC Declaration | Machinery Directive |
| We Parker SSD Drives, address as below, declare under our sole responsibility that the above Electronic Products when installed and operated with reference to the instructions in the Product Manual (provided with each piece of equipment) is in accordance with the relevant clauses from the following standard:- | The above Electronic Products are components to be incorporated into machinery and may not be operated alone. The complete machinery or installation using this equipment may only be put into service when the safety considerations of the Directive 89/392/EEC are fully adhered to. Particular reference should be made to EN60204-1 (Safety of Machinery - Electrical Equipment of Machines). All instructions, warnings and safety information of the Product Manual must be adhered to. |
| * BSEN61800-3 (2004) | |
|  Dr Martin Payn (Conformance Officer) | |
| * Compliant with the immunity requirements of the Standard without specified EMC filters. * 690PB only when fitted with an internal or external filter. | |
| PARKER SSD DRIVES NEW COURTWICK LANE, LITTLEHAMPTON, WEST SUSSEX BN17 7RZ TELEPHONE: +44(0)1903 737000 FAX: +44(0)1903 737100 Registered Number: 4806503 England. Registered Office: 55 Maylands Avenue, Hemel Hempstead, Herts HP2 4SJ | |

Issued for compliance with the EMC Directive when the unit is used as *relevant apparatus*.

This is provided to aid your justification for EMC compliance when the unit is used as a *component*.

The drive is CE marked in accordance with the low voltage directive for electrical equipment and appliances in the voltage range when installed correctly.

Since the potential hazards are mainly electrical rather than mechanical, the drive does not fall under the machinery directive. However, we do supply a manufacturer's declaration for when the drive is used (as a *component*) in machinery.

TECHNICAL SPECIFICATIONS

Input Supply

| Parameter | Symbol | Value | Units |
|-----------|--------|---|-------|
| Frequency | | 50/60 \pm 10% | Hz |
| Voltage | Vs | 110/120 \pm 10% or 220/240 \pm 10% (Earth (TN) or non-earth (IT) referenced) | V |

Speed Control

- (1) Range selected by built in switches.
- (2) With IR comp setting optimised.
- (3) Consideration must be given to the motor at it may overheat at low speed.

| Parameter | Symbol | Value | Units |
|--------------------------------|--------|---|-------|
| Stall detect time | | 15 maximum 20 typical | s |
| Type of controller | | Variable proportional plus integral | |
| Feedback method ⁽¹⁾ | Va | Tacho | |
| 0-100% load regulation | | 2 ⁽²⁾ (typically) 0.1 (typically) | |
| Max. torque speed range | | 20:1 100:1 ⁽³⁾ | % |

Current (Torque) Control

- (1) Range selected by built in switches.
- (2) Suitable for armature time constants not less than 5ms.
- (3) **All control terminals are at a potential of the peak of the input supply with respect to earth (ground) \oplus .**

All cables should be rated for this voltage.

| Parameter | Symbol | Value | Units |
|-----------------------------------|--------|-----------------------------------|-------|
| Overspeed limiting ⁽¹⁾ | | Standard ⁽¹⁾ | |
| Type of controller ⁽²⁾ | | Fixed proportional plus integral | |
| Feedback method | | Non-isolated shunt ⁽³⁾ | |
| Linearity | | 2 | % |

7-2 Technical Specification

| Adjustment Range | | | |
|-------------------------|---------|------------------|-------|
| Parameter | Symbol | Value | Units |
| Armature loss comp. | IR comp | 0 - 25% of Va | |
| Maximum speed | N max | 100% ± 25% | |
| Minimum speed | N min | 0 - 25% of N max | % |
| Ramp up time | Ramp | 1 - 15 (minimum) | s |
| Ramp down time | Ramp | 1 - 15 (minimum) | s |

| Environmental Requirements | |
|-----------------------------------|--|
| Operating Temperature | 0 to +40°C (Derate 1.5% / Degree above 40°C) |
| Max. Operating Temperature | 50°C |
| Humidity | 85% R.H. at 40°C (non condensing) |
| Altitude | Above 1000m derate at 1% / 100m |
| Atmosphere | Non-flammable, non-corrosive and dust free |
| Storage Temperature Range | -25°C to +55°C |
| Transport Temperature Range | -25°C to +55°C |
| Enclosure | IP2X suitable for cubicle mounting |
| Installation Category | Overvoltage Category III. |
| Pollution | Pollution Degree 2. |

EMC Technical Ratings

Immunity

| Port | Phenomenon | Test Standard | Level | Criterion | Generic Standard |
|------------------|----------------------|----------------------|----------------------------|----------------------------|--|
| Enclosure Port | ESD RF Field | BS EN61000-4-2(1995) | 8kV AD 10V/m,1kHz AM | Self Recovery No Change | EN50082 -1 (1992), and EN50082 -2 (1995) |
| Power Ports | Fast Transient Burst | BS EN61000-4-4(1995) | 2kV | Self Recovery | |
| Signal & Control | Fast Transient Burst | BS EN61000-4-4(1995) | 2kV | Self Recovery | |
| Power Interfaces | Fast Transient Burst | BS EN61000-4-4(1995) | 2kV | Self Recovery | |

Emissions

These levels of performance are achieved when installed as specified with the recommended Supply Filter.

* Achieved with up to 50m of motor cable.

| Port | Phenomenon | Test Standard | Level | Generic Standard |
|----------------|------------|---------------|----------|------------------|
| Enclosure Port | Radiated | EN55011 | Class B | EN50081-1 (1992) |
| Power Port | Conducted | EN55011 | Class B* | EN50081-2 (1994) |

Electrical Ratings

Output Ratings with typical armature voltage, V_a , 80/90V (160/180V)

- (1) Range selected by built in switches.
- (2) When the controller is energised the dc motor shunt field is permanently energised. It is the responsibility of the installer to ensure that this is not detrimental to the long term reliability of the dc motor.


| Parameter | 506 | | 507 | | 508 | |
|--|---------|-------|-------|------|------|------|
| Maximum Armature Output Current (IA) ⁽¹⁾ | 1.5A | 3A | 3A | 6A | 6A | 12A |
| Typical Motor Horsepower (Hp) | | | | | | |
| 90V Armature (110/120V AC) | 1/10 | 1/6 | 1/6 | 1/3 | 1/3 | 3/4 |
| 180V Armature (220/240V AC) | 1/6 | 1/3 | 1/3 | 3/4 | 3/4 | 2 |
| Typical Motor Power (kW) | | | | | | |
| 90V Armature (110/120V AC) | 0.07 | 0.125 | 0.125 | 0.25 | 0.25 | 0.55 |
| 180V Armature (220/240V AC) | 0.125 | 0.25 | 0.25 | 0.55 | 0.55 | 1.5 |
| Controller loss (W) | 5 | 10 | 10 | 20 | 20 | 40 |
| Maximum AC Supply Current (I _s , A rms) | 3 | 4.5 | 6 | 9 | 12 | 18 |
| Maximum I ² t for fusing (A ² s) | 36 | 36 | 80 | 80 | 365 | 365 |
| Maximum form factor (I _s /I _a) | 2 | 1.5 | 2 | 1.5 | 2 | 1.5 |
| Maximum Field Current ⁽²⁾ (I _f , A dc) | 2 | | | | | |
| Field Voltage (0.9 x V _s) V dc | V | | | | | |
| 110/120V AC | 90-100 | | | | | |
| 220/240V AC | 180-200 | | | | | |

Adjustment Ranges

- * Range selected by built in switches.

| Parameter | 506 | 507 | 508 |
|------------------------------|----------|---------|--------|
| Maximum current * (I max, A) | 0.25 - 3 | 0.5 - 6 | 1 - 12 |

| Product Code | | | |
|---------------------|-----------------|----------|----------------------------|
| Block | Product | Code | Feature |
| 1 | Basic Product | 506 | 3 Amp |
| | | 507 | 6 Amp |
| | | 508 | 12 Amp |
| 2 | Livery | 00 | Standard |
| | | 01 to 99 | Customer |
| 3 | Cover | 20 | IP20 Cover |
| 4 | Special Options | 00 | Standard |
| | | 01 to 99 | Documented Special Options |

| ISS. | MODIFICATION | ECN No. | DATE | DRAWN | CHK'D |
|---|---|----------------------------|----------|-------|--------|
| 6 | Manual transferred into new design template. Removed references to IP00. Added warnings to wiring diagrams. Added Watt Loss column. | 12028 11945 | 24.02.98 | FEP | GDR |
| 7 | Replaced prEN50178(1995) with EN50178(1998) and updated EC Declaration of Conformity. Removed address list from inside manual to back cover. | 13114 13164 | 01.03.99 | FEP | GDR |
| 8 | Company name change Certificate updated on page 6-2 | 18354 | 19/07/05 | CM | GDR |
| 9 | Cover removal improved, page 4-8 | 19650 | 17/10/06 | CM | GDR |
| 10 | Ambient temperature amended New company name | 20002 (19591) | 20/06/07 | CM | GDR |
| FIRST USED ON | | MODIFICATION RECORD | | | |
| | | 506/507/508 Product Manual | | | |
|  | | DRAWING NUMBER | | | SHT. 2 |
| | | ZZ389427 | | | OF 2 |