

**SYSMAC**  
**Programmable Controllers**  
**C200H**  
**(CPU01-E/03-E/11-E)**

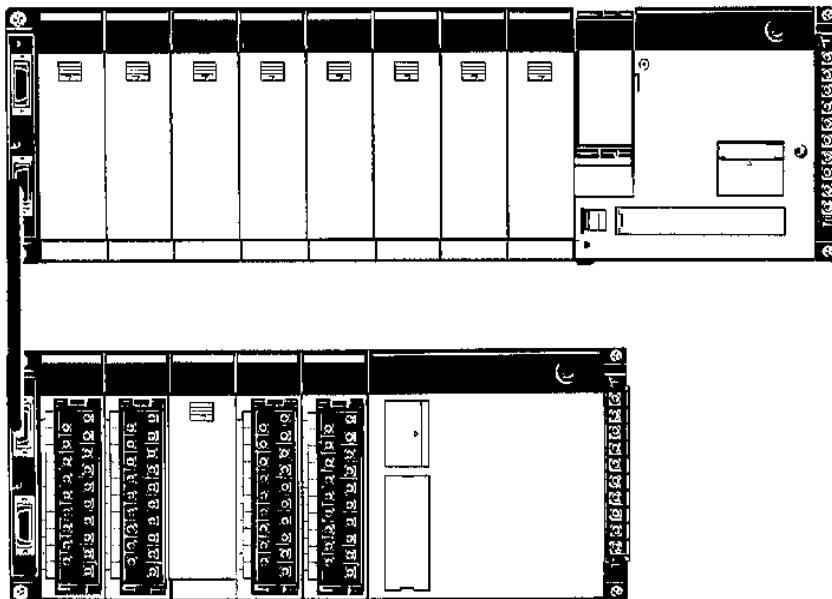
**OPERATION MANUAL**

**OMRON**

# C200H Programmable Controllers (CPU01-E/03-E/11-E)

## Operation Manual

*Revised June 2003*








## **Notice:**

OMRON products are manufactured for use according to proper procedures by a qualified operator and only for the purposes described in this manual.

The following conventions are used to indicate and classify precautions in this manual. Always heed the information provided with them. Failure to heed precautions can result in injury to people or damage to property.

 **DANGER** Indicates an imminently hazardous situation which, if not avoided, will result in death or serious injury.

 **WARNING** Indicates a potentially hazardous situation which, if not avoided, could result in death or serious injury.

 **Caution** Indicates a potentially hazardous situation which, if not avoided, may result in minor or moderate injury, or property damage.

## **OMRON Product References**

All OMRON products are capitalized in this manual. The word “Unit” is also capitalized when it refers to an OMRON product, regardless of whether or not it appears in the proper name of the product.

The abbreviation “Ch,” which appears in some displays and on some OMRON products, often means “word” and is abbreviated “Wd” in documentation in this sense.

The abbreviation “PC” means Programmable Controller and is not used as an abbreviation for anything else.

## **Visual Aids**

The following headings appear in the left column of the manual to help you locate different types of information.

**Note** Indicates information of particular interest for efficient and convenient operation of the product.

**1, 2, 3...** 1. Indicates lists of one sort or another, such as procedures, checklists, etc.

## **© OMRON Electronics LLC 1990-2003**

All rights reserved. No part of this publication may be reproduced, stored in a retrieval system, or transmitted, in any form, or by any means, mechanical, electronic, photocopying, recording, or otherwise, without the prior written permission of OMRON.

No patent liability is assumed with respect to the use of the information contained herein. Moreover, because OMRON is constantly striving to improve its high-quality products, the information contained in this manual is subject to change without notice. Every precaution has been taken in the preparation of this manual. Nevertheless, OMRON assumes no responsibility for errors or omissions. Neither is any liability assumed for damages resulting from the use of the information contained in this publication.

# Certain Terms and Conditions of Sale

---

- Offer; Acceptance.** These terms and conditions (these "Terms") are deemed part of all catalogs, manuals or other documents, whether electronic or in writing, relating to the sale of goods or services (collectively, the "Goods") by Omron Electronics LLC and its subsidiary companies ("Seller"). Seller hereby objects to any terms or conditions proposed in Buyer's purchase order or other documents which are inconsistent with, or in addition to, these Terms. Please contact your Omron representative to confirm any additional terms for sales from your Omron company.
- Prices.** All prices stated are current, subject to change without notice by Seller. Buyer agrees to pay the price in effect at time of shipment.
- Discounts.** Cash discounts, if any, will apply only on the net amount of invoices sent to Buyer after deducting transportation charges, taxes and duties, and will be allowed only if (i) the invoice is paid according to Seller's payment terms and (ii) Buyer has no past due amounts owing to Seller.
- Orders.** Seller will accept no order less than \$200 net billing.
- Governmental Approvals.** Buyer shall be responsible for, and shall bear all costs involved in, obtaining any government approvals required for the importation or sale of the Goods.
- Taxes.** All taxes, duties and other governmental charges (other than general real property and income taxes), including any interest or penalties thereon, imposed directly or indirectly on Seller or required to be collected directly or indirectly by Seller for the manufacture, production, sale, delivery, importation, consumption or use of the Goods sold hereunder (including customs duties and sales, excise, use, turnover and license taxes) shall be charged to and remitted by Buyer to Seller.
- Financial.** If the financial position of Buyer at any time becomes unsatisfactory to Seller, Seller reserves the right to stop shipments or require satisfactory security or payment in advance. If Buyer fails to make payment or otherwise comply with these Terms or any related agreement, Seller may (without liability and in addition to other remedies) cancel any unshipped portion of Goods sold hereunder and stop any Goods in transit until Buyer pays all amounts, including amounts payable hereunder, whether or not then due, which are owing to it by Buyer. Buyer shall in any event remain liable for all unpaid accounts.
- Cancellation; Etc.** Orders are not subject to rescheduling or cancellation unless Buyer indemnifies Seller fully against all costs or expenses arising in connection therewith.
- Force Majeure.** Seller shall not be liable for any delay or failure in delivery resulting from causes beyond its control, including earthquakes, fires, floods, strikes or other labor disputes, shortage of labor or materials, accidents to machinery, acts of sabotage, riots, delay in or lack of transportation or the requirements of any government authority.
- Shipping; Delivery.** Unless otherwise expressly agreed in writing by Seller:
  - Shipments shall be by a carrier selected by Seller;
  - Such carrier shall act as the agent of Buyer and delivery to such carrier shall constitute delivery to Buyer;
  - All sales and shipments of Goods shall be FOB shipping point (unless otherwise stated in writing by Seller), at which point title to and all risk of loss of the Goods shall pass from Seller to Buyer, provided that Seller shall retain a security interest in the Goods until the full purchase price is paid by Buyer;
  - Delivery and shipping dates are estimates only.
  - Seller will package Goods as it deems proper for protection against normal handling and extra charges apply to special conditions.
- Claims.** Any claim by Buyer against Seller for shortage or damage to the Goods occurring before delivery to the carrier must be presented in writing to Seller within 30 days of receipt of shipment and include the original transportation bill signed by the carrier noting that the carrier received the Goods from Seller in the condition claimed.
- Warranties.** (a) **Exclusive Warranty.** Seller's exclusive warranty is that the Goods will be free from defects in materials and workmanship for a period of twelve months from the date of sale by Seller (or such other period expressed in writing by Seller). Seller disclaims all other warranties, express or implied. (b) **Limitations.** SELLER MAKES NO WARRANTY OR REPRESENTATION, EXPRESS OR IMPLIED, ABOUT NON-INFRINGEMENT, MERCHANTABILITY OR FITNESS FOR A PARTICULAR PURPOSE OF THE GOODS. BUYER ACKNOWLEDGES THAT IT ALONE HAS DETERMINED THAT THE GOODS WILL SUITABLY MEET THE REQUIREMENTS OF THEIR INTENDED USE. Seller further disclaims all warranties and responsibility of any type for claims or expenses based on infringement by the Goods or otherwise of any intellectual property right. (c) **Buyer Remedy.** Seller's sole obligation hereunder shall be to replace (in the form originally shipped with Buyer responsible for labor charges for removal or replacement thereof) the non-complying Good or, at Seller's election, to repay or credit Buyer an amount equal to the purchase price of the Good; provided that in no event shall Seller be responsible for warranty, repair, indemnity or any other claims or expenses regarding the Goods unless Seller's analysis confirms that the Goods were properly handled, stored, installed and maintained and not subject to contamination, abuse, misuse or inappropriate modification. Return of any goods by Buyer must be approved in writing by Seller before shipment. Seller shall not be liable for the suitability or unsuitability or the results from the use of Goods in combination with any electrical or electronic components, circuits, system assemblies or any other materials or substances or environments. Any advice, recommendations or information given orally or in writing, are not to be construed as an amendment or addition to the above warranty.
- Damage Limits; Etc.** SELLER SHALL NOT BE LIABLE FOR SPECIAL, INDIRECT OR CONSEQUENTIAL DAMAGES, LOSS OF PROFITS OR PRODUCTION OR COMMERCIAL LOSS IN ANY WAY CONNECTED WITH THE GOODS, WHETHER SUCH CLAIM IS BASED IN CONTRACT, WARRANTY, NEGLIGENCE OR STRICT LIABILITY. Further, in no event shall liability of Seller exceed the individual price of the Good on which liability is asserted.
- Indemnities.** Buyer shall indemnify and hold harmless Seller, its affiliates and its employees from and against all liabilities, losses, claims, costs and expenses (including attorney's fees and expenses) related to any claim, investigation, litigation or proceeding (whether or not Seller is a party) which arises or is alleged to arise from Buyer's acts or omissions under these Terms or in any way with respect to the Goods. Without limiting the foregoing, Buyer (at its own expense) shall indemnify and hold harmless Seller and defend or settle any action brought against Seller to the extent that it is based on a claim that any Good made to Buyer specifications infringed intellectual property rights of another party.
- Property; Confidentiality.** The intellectual property embodied in the Goods is the exclusive property of Seller and its affiliates and Buyer shall not attempt to duplicate it in any way without the written permission of Seller. Notwithstanding any charges to Buyer for engineering or tooling, all engineering and tooling shall remain the exclusive property of Seller. All information and materials supplied by Seller to Buyer relating to the Goods are confidential and proprietary, and Buyer shall limit distribution thereof to its trusted employees and strictly prevent disclosure to any third party.
- Miscellaneous.** (a) **Waiver.** No failure or delay by Seller in exercising any right and no course of dealing between Buyer and Seller shall operate as a waiver of rights by Seller. (b) **Assignment.** Buyer may not assign its rights hereunder without Seller's written consent. (c) **Amendment.** These Terms constitute the entire agreement between Buyer and Seller relating to the Goods, and no provision may be changed or waived unless in writing signed by the parties. (d) **Severability.** If any provision hereof is rendered ineffective or invalid, such provision shall not invalidate any other provision. (e) **Setoff.** Buyer shall have no right to set off any amounts against the amount owing in respect of this invoice. (f) As used herein, "including" means "including without limitation".

# Certain Precautions on Specifications and Use

---

- Suitability of Use.** Seller shall not be responsible for conformity with any standards, codes or regulations which apply to the combination of the Good in the Buyer's application or use of the Good. At Buyer's request, Seller will provide applicable third party certification documents identifying ratings and limitations of use which apply to the Good. This information by itself is not sufficient for a complete determination of the suitability of the Good in combination with the end product, machine, system, or other application or use. The following are some examples of applications for which particular attention must be given. This is not intended to be an exhaustive list of all possible uses of this Good, nor is it intended to imply that the uses listed may be suitable for this Good:
  - Outdoor use, uses involving potential chemical contamination or electrical interference, or conditions or uses not described in this document.
  - Energy control systems, combustion systems, railroad systems, aviation systems, medical equipment, amusement machines, vehicles, safety equipment, and installations subject to separate industry or government regulations.
  - Systems, machines and equipment that could present a risk to life or property. Please know and observe all prohibitions of use applicable to this Good.NEVER USE THE PRODUCT FOR AN APPLICATION INVOLVING SERIOUS RISK TO LIFE OR PROPERTY WITHOUT ENSURING THAT THE SYSTEM AS A WHOLE HAS BEEN DESIGNED TO ADDRESS THE RISKS, AND THAT THE SELLER'S PRODUCT IS PROPERLY RATED AND INSTALLED FOR THE INTENDED USE WITHIN THE OVERALL EQUIPMENT OR SYSTEM.
- Programmable Products.** Seller shall not be responsible for the user's programming of a programmable Good, or any consequence thereof.
- Performance Data.** Performance data given in this catalog is provided as a guide for the user in determining suitability and does not constitute a warranty. It may represent the result of Seller's test conditions, and the user must correlate it to actual application requirements. Actual performance is subject to the Seller's Warranty and Limitations of Liability.
- Change in Specifications.** Product specifications and accessories may be changed at any time based on improvements and other reasons. It is our practice to change part numbers when published ratings or features are changed, or when significant construction changes are made. However, some specifications of the Good may be changed without any notice. When in doubt, special part numbers may be assigned to fix or establish key specifications for your application. Please consult with your Seller's representative at any time to confirm actual specifications of purchased Good.
- Errors and Omissions.** The information in this catalog has been carefully checked and is believed to be accurate; however, no responsibility is assumed for clerical, typographical or proofreading errors, or omissions.

# TABLE OF CONTENTS

<b>PRECAUTIONS</b> .....	<b>xiii</b>
1 Intended Audience .....	xiv
2 General Precautions .....	xiv
3 Safety Precautions .....	xiv
4 Operating Environment Precautions .....	xv
5 Application Precautions .....	xv
<b>SECTION 1</b>	
<b>Introduction</b> .....	<b>1</b>
1-1 Overview .....	2
1-2 The Origins of PC Logic .....	2
1-3 PC Terminology .....	3
1-4 OMRON Product Terminology .....	4
1-5 Overview of PC Operation .....	4
1-6 Peripheral Devices .....	5
1-7 Available Manuals .....	7
1-8 LSS Capabilities .....	8
<b>SECTION 2</b>	
<b>Hardware Considerations</b> .....	<b>11</b>
2-1 Indicators .....	12
2-2 PC Configuration .....	12
<b>SECTION 3</b>	
<b>Memory Areas</b> .....	<b>15</b>
3-1 Introduction .....	16
3-2 Data Area Structure .....	16
3-3 IR (Internal Relay) Area .....	18
3-4 SR (Special Relay) Area .....	20
3-5 AR (Auxiliary Relay) Area .....	32
3-6 DM (Data Memory) Area .....	38
3-7 HR (Holding Relay) Area .....	40
3-8 TC (Timer/Counter) Area .....	40
3-9 LR (Link Relay) Area .....	41
3-10 Program Memory .....	42
3-11 TR (Temporary Relay) Area .....	42
<b>SECTION 4</b>	
<b>Writing and Inputting the Program</b> .....	<b>43</b>
4-1 Basic Procedure .....	44
4-2 Instruction Terminology .....	44
4-3 Basic Ladder Diagrams .....	45
4-4 The Programming Console .....	58
4-5 Preparation for Operation .....	62
4-6 Inputting, Modifying, and Checking the Program .....	72
4-7 Controlling Bit Status .....	89
4-8 Work Bits (Internal Relays) .....	90
4-9 Programming Precautions .....	92
4-10 Program Execution .....	94

# TABLE OF CONTENTS

<b>SECTION 5</b>	
<b>Instruction Set</b> .....	<b>95</b>
5-1 Notation .....	97
5-2 Instruction Format .....	97
5-3 Data Areas, Definer Values, and Flags .....	97
5-4 Differentiated Instructions .....	99
5-5 Coding Right-hand Instructions .....	100
5-6 Ladder Diagram Instructions .....	102
5-7 Bit Control Instructions .....	104
5-8 INTERLOCK and INTERLOCK CLEAR – IL(02) and ILC(03) .....	108
5-9 JUMP and JUMP END – JMP(04) and JME(05) .....	110
5-10 END – END(01) .....	111
5-11 NO OPERATION – NOP(00) .....	112
5-12 Timer and Counter Instructions .....	112
5-13 Data Shifting .....	123
5-14 Data Movement .....	132
5-15 Data Comparison .....	141
5-16 Data Conversion .....	149
5-17 BCD Calculations .....	162
5-18 Binary Calculations .....	179
5-19 Logic Instructions .....	184
5-20 Subroutines and Interrupt Control .....	187
5-21 Step Instructions .....	193
5-22 Special Instructions .....	202
5-23 SYSMAC NET Link/SYSMAC LINK Instructions .....	211
<b>SECTION 6</b>	
<b>Program Execution Timing</b> .....	<b>219</b>
6-1 Cycle Time .....	220
6-2 Calculating Cycle Time .....	226
6-3 Instruction Execution Times .....	228
6-4 I/O Response Time .....	234
<b>SECTION 7</b>	
<b>Program Monitoring and Execution</b> .....	<b>237</b>
7-1 Monitoring Operation and Modifying Data .....	238
7-2 Program Backup and Restore Operations .....	254
<b>SECTION 8</b>	
<b>Troubleshooting</b> .....	<b>263</b>
8-1 Alarm Indicators .....	264
8-2 Programmed Alarms and Error Messages .....	264
8-3 Reading and Clearing Errors and Messages .....	264
8-4 Error Messages .....	265
8-5 Error Flags .....	268
<b>Appendices</b>	
A Standard Models .....	271
B Programming Instructions .....	281
C Programming Console Operations .....	315
D Error and Arithmetic Flag Operation .....	325
E Data Areas .....	329
F Word Assignment Recording Sheets .....	333
G Program Coding Sheet .....	339
H Data Conversion Table .....	341
I Extended ASCII .....	343

## TABLE OF CONTENTS

<b>Glossary</b> .....	<b>345</b>
<b>Index</b> .....	<b>363</b>
<b>Revision History</b> .....	<b>369</b>





## About this Manual:

The OMRON C200H PCs offer a simple but effective way to automate processing. Manufacturing, assembly, packaging, and many other processes can be automated to save time and money.

This manual describes the characteristics and abilities of the PCs, as well as programming operations and instructions and other aspects of operation and preparation. Before attempting to operate the PC, thoroughly familiarize yourself with the information contained herein. Hardware information is provided in detail in the *C200H PCs (CPU01-E/03-E/11-E) Installation Guide*. A table of other manuals that can be used in conjunction with this manual is provided at the end of *Section 1 Introduction*.

**Section 1 Introduction** explains the background and some of the basic terms used in ladder-diagram programming. It also provides an overview of the process of programming and operating a PC and explains basic terminology used with OMRON PCs. Descriptions of Peripheral Devices used with the C200H PCs and a table of other manuals available to use with this manual for special PC applications are also provided.

**Section 2 Hardware Considerations** explains basic aspects of the overall PC configuration and describes the indicators that are referred to in other sections of this manual.

**Section 3 Memory Areas** takes a look at the way memory is divided and allocated and explains the information provided there to aid in programming. It explains how I/O is managed in memory and how bits in memory correspond to specific I/O points. It also provides information on System DM, a special area in C200H PCs that provides the user with flexible control of PC operating parameters.

**Section 4 Writing and Entering Programs** explains the basics of ladder-diagram programming, looking at the elements that make up the parts of a ladder-diagram program and explaining how execution of this program is controlled. It also explains how to convert ladder diagrams into mnemonic code so that the programs can be entered using a Programming Console.

**Section 5 Instruction Set** describes all of the instructions used in programming.

**Section 6 Program Execution Timing** explains the scanning process used to execute the program and tells how to coordinate inputs and outputs so that they occur at the proper times.

**Section 7 Program Debugging and Execution** explains the Programming Console procedures used to input and debug the program and to monitor and control operation.

Finally, **Section 8 Troubleshooting** provides information on error indications and other means of reducing down-time. Information in this section is also useful when debugging programs.

The **Appendices** provide tables of standard OMRON products available for the C200H PCs, reference tables of instructions and Programming Console operations, coding sheet to help in programming and parameter input, and other information helpful in PC operation.



**WARNING** Failure to read and understand the information provided in this manual may result in personal injury or death, damage to the product, or product failure. Please read each section in its entirety and be sure you understand the information provided in the section and related sections before attempting any of the procedures or operations given.



# PRECAUTIONS

This section provides general precautions for using the Programmable Controller (PC) and related devices.

**The information contained in this section is important for the safe and reliable application of the Programmable Controller. You must read this section and understand the information contained before attempting to set up or operate a PC system.**

1 Intended Audience .....	xiv
2 General Precautions .....	xiv
3 Safety Precautions .....	xiv
4 Operating Environment Precautions .....	xv
5 Application Precautions .....	xv

## 1 Intended Audience

This manual is intended for the following personnel, who must also have knowledge of electrical systems (an electrical engineer or the equivalent).

- Personnel in charge of installing FA systems.
- Personnel in charge of designing FA systems.
- Personnel in charge of managing FA systems and facilities.


## 2 General Precautions

The user must operate the product according to the performance specifications described in the relevant manuals.


Please exercise particular care and consult your FA experts before using the product under conditions which are not described in the manual or applying the product to nuclear control systems, railroad systems, aviation systems, vehicles, combustion systems, medical equipment, amusement machines, safety equipment, and other systems, machines, and equipment that may have a serious influence on lives and property if used improperly.


Make sure that the ratings and performance characteristics of the product are sufficient for the systems, machines, and equipment, and be sure to provide the systems, machines, and equipment with double safety mechanisms.


This manual provides information for programming and operating the Unit. Be sure to read this manual before attempting to use the Unit and keep this manual close at hand for reference during operation.


 **WARNING** It is extremely important that a PC and all PC Units be used for the specified purpose and under the specified conditions, especially in applications that can directly or indirectly affect human life.

## 3 Safety Precautions

 **WARNING** Do not attempt to take any Unit apart while the power is being supplied. Doing so may result in electric shock.

 **WARNING** Do not touch any of the terminals or terminal blocks while the power is being supplied. Doing so may result in electric shock.

 **WARNING** Do not attempt to disassemble, repair, or modify any Units. Any attempt to do so may result in malfunction, fire, or electric shock.

 **WARNING** Provide safety measures in external circuits (i.e., not in the Programmable Controller), including the following items, to ensure safety in the system if an abnormality occurs due to malfunction of the PC or another external factor affecting the PC operation. Not doing so may result in serious accidents.

- Emergency stop circuits, interlock circuits, limit circuits, and similar safety measures must be provided in external control circuits.
- The PC will turn OFF all outputs when its self-diagnosis function detects any error or when a severe failure alarm (FALS) instruction is executed. As a countermeasure for such errors, external safety measures must be provided to ensure safety in the system.
- The PC outputs may remain ON or OFF due to deposition or burning of the output relays or destruction of the output transistors. As a countermeasure for


such problems, external safety measures must be provided to ensure safety in the system.

- When the 24-VDC output (service power supply to the PC) is overloaded or short-circuited, the voltage may drop and result in the outputs being turned OFF. As a countermeasure for such problems, external safety measures must be provided to ensure safety in the system.


## 4 Operating Environment Precautions

 **Caution** Do not operate the control system in the following locations:

- Locations subject to direct sunlight.
- Locations subject to temperatures or humidity outside the range specified in the specifications.
- Locations subject to condensation as the result of severe changes in temperature.
- Locations subject to corrosive or flammable gases.
- Locations subject to dust (especially iron dust) or salts.
- Locations subject to exposure to water, oil, or chemicals.
- Locations subject to shock or vibration.

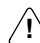
 **Caution** Take appropriate and sufficient countermeasures when installing systems in the following locations:

- Locations subject to static electricity or other forms of noise.
- Locations subject to strong electromagnetic fields.
- Locations subject to possible exposure to radioactivity.
- Locations close to power supplies.


 **Caution** The operating environment of the PC system can have a large effect on the longevity and reliability of the system. Improper operating environments can lead to malfunction, failure, and other unforeseeable problems with the PC system. Be sure that the operating environment is within the specified conditions at installation and remains within the specified conditions during the life of the system.

## 5 Application Precautions

Observe the following precautions when using the PC system.

 **WARNING** Always heed these precautions. Failure to abide by the following precautions could lead to serious or possibly fatal injury.

- Always ground the system to 100  $\Omega$  or less when installing the Units. Not connecting to a ground of 100  $\Omega$  or less may result in electric shock.
- Always turn OFF the power supply to the PC before attempting any of the following. Not turning OFF the power supply may result in malfunction or electric shock.
  - Mounting or dismounting Power Supply Units, I/O Units, CPU Units, Memory Units, or any other Units.
  - Assembling the Units.
  - Setting DIP switches or rotary switches.
  - Connecting cables or wiring the system.
  - Connecting or disconnecting the connectors.

 **Caution** Failure to abide by the following precautions could lead to faulty operation of the PC or the system, or could damage the PC or PC Units. Always heed these precautions.

- Fail-safe measures must be taken by the customer to ensure safety in the event of incorrect, missing, or abnormal signals caused by broken signal lines, momentary power interruptions, or other causes.
- Interlock circuits, limit circuits, and similar safety measures in external circuits (i.e., not in the Programmable Controller) must be provided by the customer.
- Always use the power supply voltages specified in this manual. An incorrect voltage may result in malfunction or burning.
- Take appropriate measures to ensure that the specified power with the rated voltage and frequency is supplied. Be particularly careful in places where the power supply is unstable. An incorrect power supply may result in malfunction.
- Install external breakers and take other safety measures against short-circuiting in external wiring. Insufficient safety measures against short-circuiting may result in burning.
- Do not apply voltages to the Input Units in excess of the rated input voltage. Excess voltages may result in burning.
- Do not apply voltages or connect loads to the Output Units in excess of the maximum switching capacity. Excess voltage or loads may result in burning.
- Disconnect the functional ground terminal when performing withstand voltage tests. Not disconnecting the functional ground terminal may result in burning.
- Be sure that all the mounting screws, terminal screws, and cable connector screws are tightened to the torque specified in this manual. Incorrect tightening torque may result in malfunction.
- Leave the label attached to the Unit when wiring. Removing the label may result in malfunction if foreign matter enters the Unit.
- Remove the label after the completion of wiring to ensure proper heat dissipation. Leaving the label attached may result in malfunction.
- Double-check all wiring and switch settings before turning ON the power supply. Incorrect wiring may result in burning.
- Wire correctly. Incorrect wiring may result in burning.
- Mount Units only after checking terminal blocks and connectors completely.
- Be sure that the terminal blocks, Memory Units, expansion cables, and other items with locking devices are properly locked into place. Improper locking may result in malfunction.
- Check the user program for proper execution before actually running it on the Unit. Not checking the program may result in an unexpected operation.
- Confirm that no adverse effect will occur in the system before attempting any of the following. Not doing so may result in an unexpected operation.
  - Changing the operating mode of the PC.
  - Force-setting/force-resetting any bit in memory.
  - Changing the present value of any word or any set value in memory.
- Resume operation only after transferring to the new CPU Unit the contents of the DM Area, HR Area, and other data required for resuming operation. Not doing so may result in an unexpected operation.
- Do not pull on the cables or bend the cables beyond their natural limit. Doing either of these may break the cables.
- Do not place objects on top of the cables or other wiring lines. Doing so may break the cables.
- Use crimp terminals for wiring. Do not connect bare stranded wires directly to terminals. Connection of bare stranded wires may result in burning.

- When replacing parts, be sure to confirm that the rating of a new part is correct. Not doing so may result in malfunction or burning.
- Before touching a Unit, be sure to first touch a grounded metallic object in order to discharge any static built-up. Not doing so may result in malfunction or damage.





# SECTION 1

## Introduction

This section gives a brief overview of the history of Programmable Controllers and explains terms commonly used in ladder-diagram programming. It also provides an overview of the process of programming and operating a PC and explains basic terminology used with OMRON PCs. Descriptions of peripheral devices used with the C200H, and a table of other manuals available to use with this manual for special PC applications, are also provided.

1-1	Overview .....	2
1-2	The Origins of PC Logic .....	2
1-3	PC Terminology .....	3
1-4	OMRON Product Terminology .....	4
1-5	Overview of PC Operation .....	4
1-6	Peripheral Devices .....	5
1-7	Available Manuals .....	7
1-8	LSS Capabilities .....	8
1-8-1	Offline Operations .....	8
1-8-2	Online Operations .....	9
1-8-3	Offline and Online Operations .....	10

## 1-1 Overview

A PC (Programmable Controller) is basically a CPU (Central Processing Unit) containing a program and connected to input and output (I/O) devices. The program controls the PC so that when an input signal from an input device turns ON, the appropriate response is made. The response normally involves turning ON an output signal to some sort of output device. The input devices could be photoelectric sensors, pushbuttons on control panels, limit switches, or any other device that can produce a signal that can be input into the PC. The output devices could be solenoids, switches activating indicator lamps, relays turning on motors, or any other devices that can be activated by signals output from the PC.

For example, a sensor detecting a passing product turns ON an input to the PC. The PC responds by turning ON an output that activates a pusher that pushes the product onto another conveyor for further processing. Another sensor, positioned higher than the first, turns ON a different input to indicate that the product is too tall. The PC responds by turning on another pusher positioned before the pusher mentioned above to push the too-tall product into a rejection box.

Although this example involves only two inputs and two outputs, it is typical of the type of control operation that PCs can achieve. Actually even this example is much more complex than it may at first appear because of the timing that would be required, i.e., "How does the PC know when to activate each pusher?" Much more complicated operations, however, are also possible. The problem is how to get the desired control signals from available inputs at appropriate times.

To achieve proper control, the C200H uses a form of PC logic called ladder-diagram programming. This manual is written to explain ladder-diagram programming and to prepare the reader to program and operate the C200H.

## 1-2 The Origins of PC Logic

PCs historically originate in relay-based control systems. And although the integrated circuits and internal logic of the PC have taken the place of the discrete relays, timers, counters, and other such devices, actual PC operation proceeds as if those discrete devices were still in place. PC control, however, also provides computer capabilities and accuracy to achieve a great deal more flexibility and reliability than is possible with relays.

The symbols and other control concepts used to describe PC operation also come from relay-based control and form the basis of the ladder-diagram programming method. Most of the terms used to describe these symbols and concepts, however, have come in from computer terminology.

### Relay vs. PC Terminology

The terminology used throughout this manual is somewhat different from relay terminology, but the concepts are the same.

The following table shows the relationship between relay terms and the PC terms used for OMRON PCs.

Relay term	PC equivalent
contact	input or condition
coil	output or work bit
NO relay	normally open condition
NC relay	normally closed condition

Actually there is not a total equivalence between these terms. The term condition is only used to describe ladder diagram programs in general and is specifically equivalent to one of certain set of basic instructions. The terms input and output are not used in programming per se, except in reference to I/O bits that are assigned to input and output signals coming into and leaving the PC. Normally open conditions and normally closed conditions are explained in *4-3 Basic Ladder Diagrams*.

## 1-3 PC Terminology

Although also provided in the *Glossary* at the back of this manual, the following terms are crucial to understanding PC operation and are thus explained here.

### PC

Because the C200H is a Rack PC, there is no one product that is a C200H PC. That is why we talk about the configuration of the PC, because a PC is a configuration of smaller Units.

To have a functional PC, you would need to have a CPU Rack with at least one Unit mounted to it that provides I/O points. When we refer to the PC, however, we are generally talking about the CPU and all of the Units directly controlled by it through the program. This does not include the I/O devices connected to PC inputs and outputs.

If you are not familiar with the terms used above to describe a PC, refer to *Section 2 Hardware Considerations* for explanations.

### Inputs and Outputs

A device connected to the PC that sends a signal to the PC is called an **input device**; the signal it sends is called an **input signal**. A signal enters the PC through terminals or through pins on a connector on a Unit. The place where a signal enters the PC is called an **input point**. This input point is allocated a location in memory that reflects its status, i.e., either ON or OFF. This memory location is called an **input bit**. The CPU, in its normal processing cycle, monitors the status of all input points and turns ON or OFF corresponding input bits accordingly.

There are also **output bits** in memory that are allocated to **output points** on Units through which **output signals** are sent to **output devices**, i.e., an output bit is turned ON to send a signal to an output device through an output point. The CPU periodically turns output points ON or OFF according to the status of the output bits.

These terms are used when describing different aspects of PC operation. When programming, one is concerned with what information is held in memory, and so I/O bits are referred to. When talking about the Units that connect the PC to the controlled system and the places on these Units where signals enter and leave the PC, I/O points are referred to. When wiring these I/O points, the physical counterparts of the I/O points, either terminals or connector pins, are referred to. When talking about the signals that enter or leave the PC, one refers to input signals and output signals, or sometimes just inputs and outputs. It all depends on what aspect of PC operation is being talked about.

### Controlled System and Control System

The Control System includes the PC and all I/O devices it uses to control an external system. A sensor that provides information to achieve control is an input device that is clearly part of the Control System. The controlled system is the external system that is being controlled by the PC program through these I/O devices. I/O devices can sometimes be considered part of the controlled system, e.g., a motor used to drive a conveyor belt.

## 1-4 OMRON Product Terminology

OMRON products are divided into several functional groups that have generic names. *Appendix A Standard Models* list products according to these groups. The term **Unit** is used to refer to all of the OMRON PC products. Although a Unit is any one of the building blocks that goes together to form a C200H PC, its meaning is generally, but not always, limited in context to refer to the Units that are mounted to a Rack. Most, but not all, of these products have names that end with the word Unit.

The largest group of OMRON products is the **I/O Units**. These include all of the Rack-mounting Units that provide non-dedicated input or output points for general use. I/O Units come with a variety of point connections and specifications.

**Special I/O Units** are dedicated Units that are designed to meet specific needs. These include Position Control Units, High-speed Counter Units, and Analog I/O Units.

**Link Units** are used to create Link Systems that link more than one PC or link a single PC to remote I/O points. Link Units include Remote I/O Units, PC Link Units, Host Link Units, SYSMAC NET Link Units, and SYSMAC LINK Units. SYSMAC NET Link and SYSMAC LINK Units can be used with the CPU11-E only.

Other product groups include **Programming Devices**, **Peripheral Devices**, and **DIN Rail Products**.

## 1-5 Overview of PC Operation

The following are the basic steps involved in programming and operating a C200H. Assuming you have already purchased one or more of these PCs, you must have a reasonable idea of the required information for steps one and two, which are discussed briefly below. This manual is written to explain steps three through six, eight, and nine. The relevant sections of this manual that provide more information are listed with each of these steps.

- 1, 2, 3... 1. Determine what the controlled system must do, in what order, and at what times.
2. Determine what Racks and what Units will be required. Refer to the *C200H Installation Guide*. If a Link System is required, refer to the appropriate *System Manual*.
3. On paper, assign all input and output devices to I/O points on Units and determine which I/O bits will be allocated to each. If the PC includes Special I/O Units or Link Systems, refer to the individual *Operation Manuals* or *System Manuals* for details on I/O bit allocation. (*Section 3 Memory Areas*)
4. Using relay ladder symbols, write a program that represents the sequence of required operations and their inter-relationships. Be sure to also program appropriate responses for all possible emergency situations. (*Section 4 Writing and Inputting the Program*, *Section 5 Instruction Set*, *Section 6 Program Execution Timing*)
5. Input the program and all required operating parameters into the PC. (*Section 4-6 Inputting, Modifying, and Checking the Program*.)
6. Debug the program, first to eliminate any syntax errors, and then to find execution errors. (*Section 4-6 Inputting, Modifying, and Checking the Program*, *Section 7 Program Monitoring and Execution*, and *Section 8 Troubleshooting*)
7. Wire the PC to the controlled system. This step can actually be started as soon as step 3 has been completed. Refer to the *C200H Installation*

*Guide and to Operation Manuals and System Manuals* for details on individual Units.

8. Test the program in an actual control situation and carry out fine tuning as required. (*Section 7 Program Monitoring and Execution and Section 8 Troubleshooting*)
9. Record two copies of the finished program on masters and store them safely in different locations. (*Section 4-6 Inputting, Modifying, and Checking the Program*)

### Control System Design

Designing the Control System is the first step in automating any process. A PC can be programmed and operated only after the overall Control System is fully understood. Designing the Control System requires, first of all, a thorough understanding of the system that is to be controlled. The first step in designing a Control System is thus determining the requirements of the controlled system.

### Input/Output Requirements

The first thing that must be assessed is the number of input and output points that the controlled system will require. This is done by identifying each device that is to send an input signal to the PC or which is to receive an output signal from the PC. Keep in mind that the number of I/O points available depends on the configuration of the PC. Refer to *3-3 IR Area* for details on I/O capacity and the allocation of I/O bits to I/O points.

### Sequence, Timing, and Relationships

Next, determine the sequence in which control operations are to occur and the relative timing of the operations. Identify the physical relationships between the I/O devices as well as the kinds of responses that should occur between them.

For instance, a photoelectric switch might be functionally tied to a motor by way of a counter within the PC. When the PC receives an input from a start switch, it could start the motor. The PC could then stop the motor when the counter has received a specified number of input signals from the photoelectric switch.

Each of the related tasks must be similarly determined, from the beginning of the control operation to the end.

### Unit Requirements

The actual Units that will be mounted or connected to PC Racks must be determined according to the requirements of the I/O devices. Actual hardware specifications, such as voltage and current levels, as well as functional considerations, such as those that require Special I/O Units or Link Systems will need to be considered. In many cases, Special I/O Units, Intelligent I/O Units, or Link Systems can greatly reduce the programming burden. Details on these Units and Link Systems are available in appropriate *Operation Manuals* and *System Manuals*.

Once the entire Control System has been designed, the task of programming, debugging, and operation as described in the remaining sections of this manual can begin.

## 1-6 Peripheral Devices

The following peripheral devices can be used in programming, either to input/debug/monitor the PC program or to interface the PC to external devices to output the program or memory area data. Model numbers for all devices listed below are provided in *Appendix A Standard Models*. OMRON product names have been placed in bold when introduced in the following descriptions.

<b>Programming Console</b>	<p>A Programming Console is the simplest form of programming device for OMRON PCs. Although a <b>Programming Console Adapter</b> is sometimes required, all Programming Consoles are connected directly to the CPU without requiring a separate interface. The Programming Console also functions as an interface to transfer programs to a standard cassette tape recorder.</p> <p>Various types of Programming Console are available, including both CPU-mounting and Hand-held models. Programming Console operations are described later in this manual.</p>
<b>Graphic Programming Console: GPC</b>	<p>The GPC allows you to perform all the operations of the Programming Console as well as many additional ones. PC programs can be written on-screen in ladder-diagram form as well as in mnemonic form. As the program is written, it is displayed on a liquid crystal display, making confirmation and modification quick and easy. Syntax checks may also be performed on the programs before they are downloaded to the PC. Many other functions are available, depending on the Memory Pack used with the GPC.</p> <p>A <b>Peripheral Interface Unit</b> is required to interface the GPC to the PC.</p> <p>The GPC also functions as an interface to copy programs directly to a standard cassette tape recorder. A <b>PROM Writer</b>, <b>Floppy Disk Interface Unit</b>, or <b>Printer Interface Unit</b> can be directly mounted to the GPC to output programs directly to an EPROM chip, floppy disk drive, or printing device, respectively.</p>
<b>Ladder Support Software: LSS</b>	<p>LSS is designed to run on IBM AT/XT compatibles to enable all of the operations available on the GPC.</p> <p>A <b>Peripheral Interface Unit</b> or <b>Host Link Unit</b> is required to interface a computer running LSS to the PC. Using an Optical Host Link Unit also enables the use of optical fiber cable to connect the FIT to the PC. Wired Host Link Units are available when desired. (Although FIT does not have optical connectors, conversion to optical fiber cable is possible by using converting <b>Link Adapters</b>.)</p>
<b>Factory Intelligent Terminal: FIT</b>	<p>The FIT is an OMRON computer with specially designed software that allows you to perform all of the operations that are available with the GPC or LSS. Programs can also be output directly to an EPROM chip, floppy disk drive, or printing device without any additional interface. The FIT has an EPROM writer and two 3.5" floppy disk drives built in.</p> <p>A <b>Peripheral Interface Unit</b> or <b>Host Link Unit</b> is required to interface the FIT to the PC. Using an Optical Host Link Unit also enables the use of optical fiber cable to connect the FIT to the PC. Wired Host Link Units are available when desired. (Although FIT does not have optical connectors, conversion to optical fiber cable is possible by using converting <b>Link Adapters</b>.)</p>
<b>PROM Writer</b>	<p>Other than its applications described above, the PROM Writer can be mounted to the PC's CPU to write programs to EPROM chips.</p>
<b>Floppy Disk Interface Unit</b>	<p>Other than its applications described above, the Floppy Disk Interface Unit can be mounted to the PC's CPU to interface a floppy disk drive and write programs onto floppy disks.</p>
<b>Printer Interface Unit</b>	<p>Other than its applications described above, the Printer Interface Unit can be mounted to the PC's CPU to interface a printer or X-Y plotter to print out programs in either mnemonic or ladder-diagram form.</p>

## 1-7 Available Manuals

The following table lists other manuals that may be required to program and/or operate the C200H. *Operation Manuals* and/or *Operation Guides* are also provided with individual Units and are required for wiring and other specifications.

Name	Cat. No.	Contents
GPC Operation Manual	W84	Programming procedures for the GPC (Graphics Programming Console)
FIT Operation Manual	W150	Programming procedures for using the FIT (Factory Intelligent Terminal)
LSS Operation Manual	W237	Programming procedures for using LSS (Ladder Support Software)
SSS Operation Manual: Basic SSS Operation Manual: C series PCs	W247 W248	Programming procedures for using SSS (SYSMAC Support Software)
Data Access Console Operation Guide	W173	Data area monitoring and data modification procedures for the Data Access Console
Printer Interface Unit Operation Guide	W107	Procedures for interfacing a PC to a printer
PROM Writer Operation Guide	W155	Procedures for writing programs to EPROM chips
Floppy Disk Interface Unit Operation Guide	W119	Procedures for interfacing a PC to a floppy disk drive
Wired Remote I/O System Manual (SYSMAC BUS)	W120	Information on building a Wired Remote I/O System to enable remote I/O capability
Optical Remote I/O System Manual (SYSMAC BUS)	W136	Information on building an Optical Remote I/O System to enable remote I/O capability
PC Link System Manual	W135	Information on building a PC Link System to automatically transfer data between PCs
Host Link System Manual (SYSMAC WAY)	W143	Information on building a Host Link System to manage PCs from a 'host' computer
SYSMAC NET Link Unit Operation Manual	W114	Information on building a SYSMAC NET Link System and thus create an optical LAN integrating PCs with computers and other peripheral devices
SYSMAC LINK System Manual	W174	Information on building a SYSMAC LINK System to enable automatic data transfer, programming, and programmed data transfer between the PCs in the System
High-speed Counter Unit Operation Manual	CT001V1/CT002: W141 CT021: W311	Information on High-speed Counter Unit
Position Control Unit Operation Manuals	NC111: W137 NC112: W128 NC211: W166	Information on Position Control Unit
Analog I/O Units Operation Guide	W127	Information on the C200H-AD001, C200H-DA001 Analog I/O Units
Analog Input Unit Operation Manual	W229	Information on the C200H-AD002 Analog Input Unit
Temperature Sensor Unit Operation Guide	W124	Information on Temperature Sensor Unit
ASCII Unit Operation Manual	W165	Information on ASCII Unit
ID Sensor Unit Operation Guide	W153	Information on ID Sensor Unit
Voice Unit Operation Manual	W172	Information on Voice Unit
Fuzzy Logic Unit Operation Manual	W208	Information on Fuzzy Logic Unit
Fuzzy Support Software Operation Manual	W210	Information on the Fuzzy Support Software which supports the Fuzzy Logic Units
Temperature Control Unit Operation Manual	W225	Information on Temperature Control Unit



Name	Cat. No.	Contents
Heat/Cool Temperature Control Unit Operation Manual	W240	Information on Heating and Cooling Temperature Control Unit
PID Control Unit Operation Manual	W241	Information on PID Control Unit
Cam Positioner Unit Operation Manual	W224	Information on Cam Positioner Unit

## 1-8 LSS Capabilities

The LSS is a complete programming and control package designed for C-series PCs. It provides not only programming capabilities, but also advanced debugging, monitoring, and program/data management. The following tables provide only a brief introduction to the capabilities of the LSS. For further information and actual operating procedures, please refer to the *Ladder Support Software Operation Manual*.

### 1-8-1 Offline Operations

Group	Description	
<b>General Programming</b>	General programming operations feature function keys to easily read, write, and store programs.	
<b>PROGRAMMING</b>	<b>SAVE PROGRAM</b>	Writes all or part of the user program to a data disk.
	<b>RETRIEVE PROGRAM</b>	Retrieves all or part of the user program from on a data disk.
	<b>CHANGE DISPLAY</b>	Switches the display between four display modes: Ladder, Ladder with Comments, Mnemonic 1 (function key and numeric key input mode) and Mnemonic 2 (alphanumeric key input mode).
	<b>SEARCH INSTRUCTION</b>	Searches for instructions including specified operands.
	<b>I/O COMMENT</b>	Creates, reads, modifies, and searches for I/O comments.
	<b>BLOCK COMMENT</b>	Creates, edits, and searches for block comments for output instructions.
	<b>LINE COMMENT</b>	Creates, searches for, and edits line comments.
	<b>CUT AND PASTE</b>	Edits programs by copying, moving, or deleting instruction blocks.
	<b>EDIT I/O COMMENT</b>	Displays 32 I/O comments at once to write, edit, and search.
	<b>RETRIEVE COMMENTS</b>	Retrieves comments from programs stored on a data disk.
	<b>MEMORY USAGE</b>	Displays the used capacity of user program memory, comments, and internal memory.
	<b>CLEAR MEMORY</b>	Clears the user program memory.
	<b>CHECK PROGRAM</b>	Checks whether the user program contains syntax errors. The check can be performed in three levels.

Group	Description	
<b>DM (data memory)</b>	DM operations are used to edit DM data in hexadecimal or ASCII form. There are also features for copying, filling and printing DM data, as well as data disk save and retrieve operations.	
<b>I/O TABLE</b>	I/O TABLE is used to edit, check, and print I/O tables. It also provides data disk save and retrieve operations.	
<b>UTILITY</b>	<b>DATA AREA LISTS</b>	Displays lists of such items as used areas and cross-references (i.e., instructions that use specified operands).
	<b>CHANGE ADDRESSES</b>	Globally changes bit and word addresses in the user program.
	<b>PRINT LISTS</b>	Prints lists, ladder diagrams, and mnemonics.
	<b>EPROM FUNCTIONS</b>	Writes, reads, and compares the user program between the PROM Writer and system work disk.
	<b>C500 → C2000H</b>	Converts the program format from C500 to C2000H
	<b>NETWORK DATA LINKS</b>	Creates a data link table.
	<b>CREATE LIBRARY FILE</b>	Formats a floppy disk or hard disk for use with the LSS.
<b>UTILITY (continued)</b>	<b>TIME CHART MONITOR</b>	Accesses the time chart monitor displays produced online.
	<b>SET INSTRUCTIONS</b>	Used to assign instructions to function codes in instructions tables and to save/retrieve instructions tables to/from data disk files.
	<b>RETRIEVE/SAVE INSTR</b>	Used to save and retrieve expansion instruction sets to and from data disk files.
	<b>PC SETUP</b>	Used to set the PC operating parameters in the PC Setup and to save and retrieve PC Setups to and from data disk files.

## 1-8-2 Online Operations

Group	Function name	Description
<b>ON-LINE</b>	<b>MONITOR DATA</b>	Used to monitor up to 20 bits/words during program execution. The status of bits and contents of words being monitored can also be controlled.
	<b>TRANSFER PROGRAM</b>	Transfers and compares the user program between the LSS and PC.
	<b>ON-LINE EDIT</b>	Edits the PC program during MONITOR mode execution.
	<b>READ CYCLE TIME</b>	Reads and displays the cycle time of the PC.
	<b>CLEAR DATA AREAS</b>	Clears the PC data areas such as HR, CNT, AR, and DM (to zero).
	<b>MEMORY USAGE</b>	Displays the used capacity of program memory area, comments, and internal memory.
	Operations are also available to change display modes and search for instructions and comments.	
<b>DM</b>	DM area operations are available to transfer and compare DM data between the PC, LSS, and data disks, and to monitor DM contents in the PC.	
<b>I/O TABLE</b>	I/O TABLE operations are used to write, transfer, and compare I/O tables between the PC and LSS.	
<b>UTILITY</b>	<b>FILE MEMORY</b>	Displays file memory lists; transfers file memory contents between PC and LSS; clears file memory; transfers file memory contents between PC and File Memory Unit; saves or retrieves file memory contents to or from floppy disk; and edits file memory data.
	<b>XFER DATA LINK TBL</b>	Transfers and compares data link tables between the PC and computer.
	<b>CLOCK</b>	Used to read and set the internal clock in the PC.
	<b>TRANSFER INSTR</b>	Used to transfer the expansion instruction set from the PC to the LSS.
	<b>TRANSFER PC SETUP</b>	Used to transfer the PC Setup between the PC and the LSS

### 1-8-3 Offline and Online Operations

Group	Description
<b>SYSTEM SETUP</b>	The SYSTEM SETUP provides settings for the operating environment of the LSS, including the PC that's being communicated with (including network and interface settings) and disk drive, comment, printer, PROM Writer, and monitor settings. It also provides settings for transfer of I/O table and data link tables to UM.
<b>FILE MANAGEMENT</b>	FILE MANAGEMENT operations include basic file management features so that files can be manipulated directly from the LSS. It also provides a feature for merging program files.

## SECTION 2

# Hardware Considerations

This section provides information on hardware aspects of the C200H that are relevant to programming and software operation. These include indicators on the CPU Unit and basic PC configuration. This information is covered in detail in the *C200H Installation Guide*.

2-1	Indicators .....	12
2-2	PC Configuration .....	12

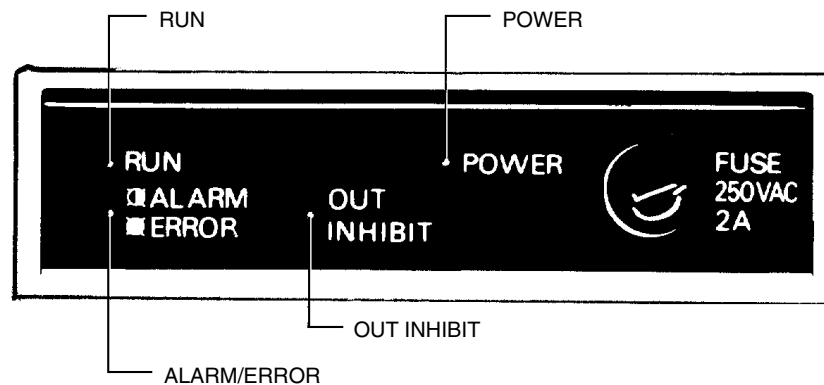
## 2-1 Indicators

CPU indicators provide visual information on the general operation of the PC. Although not substitutes for proper error programming using the flags and other error indicators provided in the data areas of memory, these indicators provide ready confirmation of proper operation.

### CPU Indicators

CPU indicators are shown below and are described in the following table.

Indicator	Function
POWER	Lights when power is supplied to the CPU.
RUN	Lights when the CPU is operating normally.
ALARM/ERROR	ALARM: Flashes when a non-fatal error is discovered in error diagnosis operations. PC operation will continue. ERROR: Lights when a fatal error is discovered in error diagnosis operations. When this indicator lights, the RUN indicator will go off, CPU operation will be stopped, and all outputs from the PC will be turned OFF.
OUT INHIBIT	Lights when the Output OFF Bit, SR 25215, is turned ON. All outputs from the PC will be turned OFF.



## 2-2 PC Configuration

The basic PC configuration consists of two types of Rack: a CPU Rack and Expansion I/O Racks. The Expansion I/O Racks are not a required part of the basic system. They are used to increase the number of I/O points. An illustration of these Racks is provided in 3-3 IR Area. A third type of Rack, called a Slave Rack, can be used when the PC is provided with a Remote I/O System.

### CPU Racks

A C200H CPU Rack consists of four components: (1) The CPU Backplane, to which the CPU and other Units are mounted. (2) The CPU, which executes the program and controls the PC. (3) Other Units, such as I/O Units, Special I/O Units, and Link Units, which provide the physical I/O terminals corresponding to I/O points.

A C200H CPU Rack can be used alone or it can be connected to other Racks to provide additional I/O points. The CPU Rack provides three, five, or eight slots to which these other Units can be mounted depending on the backplane used.

### Expansion I/O Racks

An Expansion I/O Rack can be thought of as an extension of the PC because it provides additional slots to which other Units can be mounted. It is built

onto an Expansion I/O Backplane to which a Power Supply and up to eight other Units are mounted.

An Expansion I/O Rack is always connected to the CPU via the connectors on the Backplanes, allowing communication between the two Racks. Up to two Expansion I/O Racks can be connected in series to the CPU Rack.

**Unit Mounting Position**

Only I/O Units and Special I/O Units can be mounted to Slave Racks. All I/O Units, Special I/O Units, Remote I/O Master Units, PC and Host Link Units, can be mounted to any slot on all other Racks, although mounting to the two rightmost slots on the CPU Rack may interfere with the mounting of peripheral devices. With the CPU11-E CPU Unit, SYSMAC LINK and NET Link Units can be mounted to the two rightmost slots on the CPU Rack.

Refer to the *C200H Installation Guide* for details about which slots can be used for which Units and other details about PC configuration. The way in which I/O points on Units are allocated in memory is described in *3-3 IR Area*.



# SECTION 3

## Memory Areas

Various types of data are required to achieve effective and correct control. To facilitate managing this data, the PC is provided with various **memory areas** for data, each of which performs a different function. The areas generally accessible by the user for use in programming are classified as **data areas**. The other memory area is the Program Memory, where the user's program is actually stored. This section describes these areas individually and provides information that will be necessary to use them. As a matter of convention, the TR area is described in this section, even though it is not strictly a memory area.

3-1	Introduction .....	16
3-2	Data Area Structure .....	16
3-3	IR (Internal Relay) Area .....	18
3-4	SR (Special Relay) Area .....	20
3-4-1	Remote I/O Systems .....	22
3-4-2	Link System Flags and Control Bits .....	23
3-4-3	Forced Status Hold Bit (CPU11-E Only) .....	27
3-4-4	I/O Status Hold Bit .....	28
3-4-5	Output OFF Bit .....	29
3-4-6	FAL (Failure Alarm) Area .....	30
3-4-7	Low Battery Flag .....	30
3-4-8	Cycle Time Error Flag .....	30
3-4-9	I/O Verification Error Flag .....	30
3-4-10	First Cycle Flag .....	30
3-4-11	Clock Pulse Bits .....	30
3-4-12	Step Flag .....	31
3-4-13	Instruction Execution Error Flag, ER .....	31
3-4-14	Arithmetic Flags .....	31
3-5	AR (Auxiliary Relay) Area .....	32
3-5-1	Optical Transmitting I/O Unit Error Flags .....	33
3-5-2	SYSMAC LINK System Data Link Settings .....	34
3-5-3	Error History Bits (CPU11-E Only) .....	34
3-5-4	Active Node Flags (CPU11-E only) .....	34
3-5-5	SYSMAC LINK/SYSMAC NET Link System Service Time (CPU11-E only) ..	35
3-5-6	Calendar/Clock Area and Bits (CPU11-E Only) .....	35
3-5-7	TERMINAL Mode Key Bits (CPU11-E Only) .....	36
3-5-8	Power-OFF Counter .....	36
3-5-9	CPU Low Battery Flag (CPU11-E Only) .....	37
3-5-10	SCAN(18) Cycle Time Flag (CPU11-E Only) .....	37
3-5-11	Network Parameter Flags .....	37
3-5-12	Link Unit Mounted Flags .....	37
3-5-13	CPU-mounting Device Flag .....	37
3-5-14	FALS-generating Address .....	37
3-5-15	Cycle Time Indicators .....	37
3-6	DM (Data Memory) Area .....	38
3-7	HR (Holding Relay) Area .....	40
3-8	TC (Timer/Counter) Area .....	40
3-9	LR (Link Relay) Area .....	41
3-10	Program Memory .....	42
3-11	TR (Temporary Relay) Area .....	42



## 3-1 Introduction

Details, including the name, acronym, range, and function of each area are summarized in the following table. All but the last three of these areas are data areas. Data and memory areas are normally referred to by their acronyms.

Area	Acronym	Range	Function
Internal Relay	IR	Words: 000 to 235 Bits: 00000 to 23515	Used to control I/O points, other bits, timers, and counters, and to temporarily store data.
Special Relay	SR	Words: 236 to 255 Bits: 23600 to 25507	Contains system clocks, flags, control bits, and status information.
Auxiliary Relay	AR	Words: AR 00 to AR 27 Bits: AR 00 to AR 2715	Contains flags and bits for special functions. Retains status during power failure.
Data Memory	DM	Read/write: DM 0000 to DM 0999 Read only: DM 1000 to DM 1999	Used for internal data storage and manipulation.
Holding Relay	HR	Words: HR 00 to HR 99 Bits: HR 0000 to HR 9915	Used to store data and to retain the data values when the power to the PC is turned off.
Timer/Counter	TC	TC 000 to TC 511 (TC numbers used to access other information)	Used to define timers and counters, and to access completion flags, PV, and SV. In general, when used as a bit operand, a TC number accesses the completion flag for the timer or counter defined using the TC number. When used as a word operand, the TC number accesses the present value of the timer or counter.
Link Relay	LR	Words: LR 00 to LR 63 Bits: LR 0000 to 6315	Available for use as work bits.
Temporary Relay	TR	TR 00 to TR 07 (bits only)	Used to temporarily store and retrieve execution conditions. These bits can only be used in the Load and Output instructions. Storing and retrieving execution conditions is necessary when programming certain types of branching ladder diagrams.
Program Memory	UM	UM: Depends on Memory Unit used.	Contains the program executed by the CPU.

### Work Bits and Words

When some bits and words in certain data areas are not being used for their intended purpose, they can be used in programming as required to control other bits. Words and bits available for use in this fashion are called work words and work bits. Most, but not all, unused bits can be used as work bits. Those that can be used are described area-by-area in the remainder of this section. Actual application of work bits and work words is described in *Section 4 Writing and Inputting the Program*.

### Flags and Control Bits

Some data areas contain flags and/or control bits. Flags are bits that are automatically turned ON and OFF to indicate particular operation status. Although some flags can be turned ON and OFF by the user, most flags are read only; they cannot be controlled directly.

Control bits are bits turned ON and OFF by the user to control specific aspects of operation. Any bit given a name using the word bit rather than the word flag is a control bit, e.g., Restart bits are control bits.

## 3-2 Data Area Structure

When designating a data area, the acronym for the area is always required for any but the IR and SR areas. Although the acronyms for the IR and SR areas are often given for clarity in text explanations, they are not required,

and not entered, when programming. Any data area designation without an acronym is assumed to be in either the IR or SR area. Because IR and SR addresses run consecutively, the word or bit addresses are sufficient to differentiate these two areas.

An actual data location within any data area but the TC area is designated by its address. The address designates the bit or word within the area where the desired data is located. The TC area consists of TC numbers, each of which is used for a specific timer or counter defined in the program. Refer to *3-8 TC Area* for more details on TC numbers and to *5-12 Timer and Counter Instructions* for information on their application.

The rest of the data areas (i.e., the IR, SR, HR, DM, AR, and LR areas) consist of words, each of which consists of 16 bits numbered 00 through 15 from right to left. IR words 000 and 001 are shown below with bit numbers. Here, the content of each word is shown as all zeros. Bit 00 is called the rightmost bit; bit 15, the leftmost bit.

The term least significant bit is often used for rightmost bit; the term most significant bit, for leftmost bit. These terms are not used in this manual because a single data word is often split into two or more parts, with each part used for different parameters or operands. When this is done, the rightmost bits of a word may actually become the most significant bits, i.e., the leftmost bits in another word, when combined with other bits to form a new word.

<b>Bit number</b>	15	14	13	12	11	10	09	08	07	06	05	04	03	02	01	00
<b>IR word 000</b>	0	0	0	0	0	0	0	0	0	0	0	0	0	0	0	0
<b>IR word 001</b>	0	0	0	0	0	0	0	0	0	0	0	0	0	0	0	0

The DM area is accessible by word only; you cannot designate an individual bit within a DM word. Data in the IR, SR, HR, AR, and LR areas is accessible either by word or by bit, depending on the instruction in which the data is being used.

To designate one of these areas by word, all that is necessary is the acronym (if required) and the two-, three-, or four-digit word address. To designate an area by bit, the word address is combined with the bit number as a single four- or five-digit address. The following table show examples of this. The two rightmost digits of a bit designation must indicate a bit between 00 and 15, i.e., the rightmost digit must be 5 or less the next digit to the left, either 0 or 1.

The same TC number can be used to designate either the present value (PV) of the timer or counter, or a bit that functions as the Completion Flag for the timer or counter. This is explained in more detail in *3-8 TC Area*.

Area	Word designation	Bit designation
IR	000	00015 (leftmost bit in word 000)
SR	252	25200 (rightmost bit in word 252)
DM	DM 1250	Not possible
TC	TC 215 (designates PV)	TC 215 (designates completion flag)
LR	LR 12	LR 1200

**Data Structure**

Word data input as decimal values is stored in binary-coded decimal (BCD); word data entered as hexadecimal is stored in binary form. Each four bits of a word represents one digit, either a hexadecimal or decimal digit, numerically equivalent to the value of the binary bits. One word of data thus con-

tains four digits, which are numbered from right to left. These digit numbers and the corresponding bit numbers for one word are shown below.

Digit number	3				2				1				0			
Bit number	15	14	13	12	11	10	09	08	07	06	05	04	03	02	01	00
Contents	0	0	0	0	0	0	0	0	0	0	0	0	0	0	0	0

When referring to the entire word, the digit numbered 0 is called the rightmost digit; the one numbered 3, the leftmost digit.

When inputting data into data areas, it must be input in the proper form for the intended purpose. This is no problem when designating individual bits, which are merely turned ON (equivalent to a binary value of 1) or OFF (a binary value of 0). When inputting word data, however, it is important to input it either as decimal or as hexadecimal, depending on what is called for by the instruction it is to be used for. *Section 5 Instruction Set* specifies when a particular form of data is required for an instruction.

**Converting Different Forms of Data**

Binary and hexadecimal can be easily converted back and forth because each four bits of a binary number is numerically equivalent to one digit of a hexadecimal number. The binary number 0101111101011111 is converted to hexadecimal by considering each set of four bits in order from the right. Binary 1111 is hexadecimal F; binary 0101 is hexadecimal 5. The hexadecimal equivalent would thus be 5F5F, or 24,415 in decimal ( $16^3 \times 5 + 16^2 \times 15 + 16 \times 5 + 15$ ).

Decimal and BCD are easily converted back and forth. In this case, each BCD digit (i.e., each group of four BCD bits) is numerically equivalent of the corresponding decimal digit. The BCD bits 0101011101010111 are converted to decimal by considering each four bits from the right. Binary 0101 is decimal 5; binary 0111 is decimal 7. The decimal equivalent would thus be 5,757. Note that this is not the same numeric value as the hexadecimal equivalent of 0101011101010111, which would be 5,757 hexadecimal, or 22,359 in decimal ( $16^3 \times 5 + 16^2 \times 7 + 16 \times 5 + 7$ ).

Because the numeric equivalent of each four BCD binary bits must be numerically equivalent to a decimal value, any four bit combination numerically greater than 9 cannot be used, e.g., 1011 is not allowed because it is numerically equivalent to 11, which cannot be expressed as a single digit in decimal notation. The binary bits 1011 are of course allowed in hexadecimal are a equivalent to the hexadecimal digit C.

There are instructions provided to convert data either direction between BCD and hexadecimal. Refer to *5-16 Data Conversion* for details. Tables of binary equivalents to hexadecimal and BCD digits are provided in the appendices for reference.

**Decimal Points**

Decimal points are used in timers only. The least significant digit represents tenths of a second. All arithmetic instructions operate on integers only.

**3-3 IR (Internal Relay) Area**

The IR area is used both as data to control I/O points, and as work bits to manipulate and store data internally. It is accessible both by bit and by word. In the C200H PC, the IR area is comprised of words 000 to 235.

Words in the IR area that are used to control I/O points are called I/O words. Bits in I/O words are called I/O bits. Bits in the IR area which are not as-

signed as I/O bits can be used as work bits. IR area work bits are reset when power is interrupted or PC operation is stopped.

**I/O Words**

If a Unit brings inputs into the PC, the bit assigned to it is an input bit; if the Unit sends an output from the PC, the bit is an output bit. To turn on an output, the output bit assigned to it must be turned ON. When an input turns on, the input bit assigned to it also turns ON. These facts can be used in the program to access input status and control output status through I/O bits.

**Input Bit Usage**

Input bits can be used to directly input external signals to the PC and can be used in any order in programming. Each input bit can also be used in as many instructions as required to achieve effective and proper control. They cannot be used in instructions that control bit status, e.g., the Output, Differentiation Up, and Keep instructions.

**Output Bit Usage**

Output bits are used to output program execution results and can be used in any order in programming. Because outputs are refreshed only once during each cycle (i.e., once each time the program is executed), any output bit can be used in only one instruction that controls its status, including OUT, KEEP(11), DIFU(13), DIFD(14) and SFT(10). If an output bit is used in more than one such instruction, only the status determined by the last instruction will actually be output from the PC.

See 5-13-1 Shift Register - SFT(10) for an example that uses an output bit in two 'bit-control' instructions.

**Word Allocation for Racks**

I/O words are allocated to the CPU Rack and Expansion I/O Racks by slot position. One I/O word is allocated to each slot, as shown in the following table. Since each slot is allocated only one I/O word, a 3-slot rack uses only the first 3 words, a 5-slot rack uses only the first 5 words, and an 8-slot rack uses only the first 8 words. Words that are allocated to unused or nonexistent slots are available as work words.

← Left side of rack Right side of a 10-slot rack →

Rack	Slot 1	Slot 2	Slot 3	Slot 4	Slot 5	Slot 6	Slot 7	Slot 8	Slot 9	Slot 10
CPU	IR 000	IR 001	IR 002	IR 003	IR 004	IR 005	IR 006	IR 007	IR 008	IR 009
1 <sup>st</sup> Expansion	IR 010	IR 011	IR 012	IR 013	IR 014	IR 015	IR 016	IR 017	IR 018	IR 019
2 <sup>nd</sup> Expansion	IR 020	IR 021	IR 022	IR 023	IR 024	IR 025	IR 026	IR 027	IR 028	IR 029

**Allocation for Special I/O Units and Slave Racks**

Up to ten Special I/O Units may be mounted in any slot of the CPU Rack or Expansion I/O Racks. Up to five Slave Racks may be used, whether one or

two Masters are used. IR area words are allocated to Special I/O Units and Slave Racks by the unit number on the unit, as shown in the following tables.

Special I/O Units		Slave Racks	
Unit number	IR address	Unit number	IR address
0	100 to 109	0	050 to 059
1	110 to 119	1	060 to 069
2	120 to 129	2	070 to 079
3	130 to 139	3	080 to 089
4	140 to 149	4	090 to 099
5	150 to 159		
6	160 to 169		
7	170 to 179		
8	180 to 189		
9	190 to 199		

The C500-RT 001/002-(P)V1 Remote I/O Slave Rack may be used, but it requires 20 I/O words, not 10, and therefore occupies the I/O words allocated to 2 C200H Slave Racks, both the words allocated to the unit number set on the rack and the words allocated to the following unit number. When using a C200H CPU Unit, do not set the unit number on a C500 Slave Rack to 4, because there is no unit number 5. I/O words are allocated only to installed units, from left to right, and not to slots as in the C200H system.

#### Allocation for Optical I/O Units

I/O words between IR 200 and IR 231 are allocated to Optical I/O Units by unit number. The I/O word allocated to each unit is IR 200+n, where n is the unit number set on the unit.

#### Allocation for Remote I/O Master and Link Units

Remote Master I/O Units, SYSMAC LINK Units, SYSMAC NET Link Units, and Host Link Units do not use I/O words, and the PC Link Units use the LR area, so words allocated to the slots in which these units are mounted are available as work words.

#### Bit Allocation for I/O Units

An I/O Unit may require anywhere from 8 to 16 bits, depending on the model. With most I/O Units, any bits not used for input or output are available as work bits. Transistor Output Units C200H-OD213 and C200H-OD411, as well as Triac Output Unit C200H-OA221, however, uses bit 08 for the Blown Fuse Flag. Transistor Output Unit C200H-OD214 uses bits 08 to 11 for the Alarm Flag. Bits 08 to 15 of any word allocated to these units, therefore, cannot be used as work bits.

## 3-4 SR (Special Relay) Area

The SR area contains flags and control bits used for monitoring PC operation, accessing clock pulses, and signalling errors. SR area word addresses range from 236 through 255; bit addresses, from 23600 through 25507.

The following table lists the functions of SR area flags and control bits. Most of these bits are described in more detail following the table. Descriptions are in order by bit number except that Link System bits are grouped together.

Unless otherwise stated, flags are OFF until the specified condition arises, when they are turned ON. Restart bits are usually OFF, but when the user

turns one ON then OFF, the specified Link Unit will be restarted. Other control bits are OFF until set by the user.

Word(s)	Bit(s)	Function
236	00 to 07	Node loop status output area for operating level 0 of SYSMAC NET Link System
	08 to 15	Node loop status output area for operating level 1 of SYSMAC NET Link System
237	00 to 07	Completion code output area for operating level 0 following execution of SEND(90)/RECV(98) SYSMAC LINK/SYSMAC NET Link System
	08 to 15	Completion code output area for operating level 1 following execution of SEND(90)/RECV(98) SYSMAC LINK/SYSMAC NET Link System
238 to 241	00 to 15	Data link status output area for operating level 0 of SYSMAC LINK or SYSMAC NET Link System
242 to 245	00 to 15	Data link status output area for operating level 1 of SYSMAC LINK or SYSMAC NET Link System
246	00 to 15	Not used
247 to 250	00 to 07	PC Link Unit Run Flags or data link status for operating level 1
	08 to 15	PC Link Unit Error Flags or data link status for operating level 1
251	00 to 15	Remote I/O Error Flags
252	00	SEND(90)/RECV(98) Error Flag for operating level 0 of SYSMAC LINK or SYSMAC NET Link System
	01	SEND(90)/RECV(98) Enable Flag for operating level 0 of SYSMAC LINK or SYSMAC NET Link System
	02	Operating Level 0 Data Link Operating Flag
	03	SEND(90)/RECV(98) Error Flag for operating level 1 of SYSMAC LINK or SYSMAC NET Link System
	04	SEND(90)/RECV(98) Enable Flag for operating level 1 of SYSMAC LINK or SYSMAC NET Link System
	05	Operating Level 1 Data Link Operating Flag
	06	Host Computer to Rack-mounting Host Link Unit Level 1 Error Flag
	07	Rack-mounting Host Link Unit Level 1 Restart Bit
	08	CPU-mounting Host Link Unit Error Flag
	09	CPU-mounting Host Link Unit Restart Bit
	10	Not used.
	11	Forced Status Hold Bit (CPU11-E only)
	12	I/O Status Hold Bit
	13	Rack-mounting Host Link Unit Level 0 Restart Bit
	14	Not used.
15	Output OFF Bit	

Word(s)	Bit(s)	Function
253	00 to 07	FAL number output area.
	08	Low Battery Flag
	09	Cycle Time Error Flag
	10	I/O Verification Error Flag
	11	Host Computer to rack-mounting Host Link Unit Level 0 Error Flag
	12	Remote I/O Error Flag
	13	Normally ON Flag
	14	Normally OFF Flag
	15	First cycle
254	00	1-minute clock pulse bit
	01	0.02-second clock pulse bit
	02 to 06	Reserved for function expansion. Do not use.
	07	Step Flag
	08 to 14	Reserved for function expansion. Do not use.
	15	Special Unit Error Flag (Special I/O, PC Link, Host Link, Remote I/O Master, SYSMAC NET Link, and SYSMAC LINK)
255	00	0.1-second clock pulse bit
	01	0.2-second clock pulse bit
	02	1.0-second clock pulse bit
	03	Instruction Execution Error (ER) Flag
	04	Carry (CY) Flag
	05	Greater Than (GR) Flag
	06	Equals (EQ) Flag
	07	Less Than (LE) Flag

### 3-4-1 Remote I/O Systems

SR 25312 turns ON to indicate an error has occurred in Remote I/O Systems. The ALARM/ERROR indicator will flash, but PC operation will continue. SR 251, as well as AR 0014 and AR 0015, contain information on the source and type of error. The function of each bit is described below. Refer to *Optical* and *Wired Remote I/O System Manuals* for details.

#### Bit 00 - Error Check Bit

If there are errors in more than one Remote I/O Unit, word 251 will contain error information for only the first one. Data for the remaining Units will be stored in memory and can be accessed by turning the Error Check bit ON and OFF. Be sure to record data for the first error, which will be cleared when data for the next error is displayed.

#### Bits 01 and 02

Not used.

#### Bit 03

Remote I/O Error Flag: Bit 03 turns ON when an error has occurred in a Remote I/O Unit.

#### Bits 04 to 15

The content of bits 04 to 06 is a 3-digit binary number (04:  $2^0$ , 05:  $2^1$ , 06:  $2^2$ ) and the content of bits 08 to 15 is a 2-digit hexadecimal number (08 to 11:  $16^0$ , 12 to 15:  $16^1$ ).

If the content of bits 12 through 15 is B, an error has occurred in a Remote I/O Master or Slave Unit, and the content of bits 08 through 11 will indicate the unit number, either 0 or 1, of the Master involved. In this case, bits 04 to 06 contain the unit number of the Slave Rack involved.

If the content of bits 12 through 15 is a number from 0 to 31, an error has occurred in an Optical I/O Unit. The number is the unit number of the Optical I/O Unit involved, and bit 04 will be ON if the Unit is assigned leftmost word bits (08 through 15), and OFF if it is assigned rightmost word bits (00 through 07).

### 3-4-2 Link System Flags and Control Bits

Use of the following SR bits depends on the configuration of any Link Systems to which your PC belongs. These flags and control bits are used when Link Units, such as PC Link Units, SYSMAC LINK Units, Remote I/O Units, SYSMAC NET Link Units, or Host Link Units, are mounted to the PC Racks or to the CPU. For additional information, consult the System Manual for the particular Units involved.

The following bits can be employed as work bits when the PC does not belong to the Link System associated with them.

#### Host Link Systems

Both Error flags and Restart bits are provided for Host Link Systems. Error flags turn ON to indicate errors in Host Link Units. Restart bits are turned ON and then OFF to restart a Host Link Unit. SR bits used with Host Link Systems are summarized in the following table. **Rack-mounting Host Link Unit Restart bits are not effective for the Multilevel Rack-mounting Host Link Units.** Refer to the *Host Link System Manual* for details.

Bit	Flag
25206	Rack-mounting Host Link Unit Level 1 Error Flag
25207	Rack-mounting Host Link Unit Level 1 Restart Bit
25208	CPU-mounting Host Link Unit Error Flag
25209	CPU-mounting Host Link Unit Restart Bit
25213	Rack-mounting Host Link Unit Level 0 Restart Bit
25311	Rack-mounting Host Link Unit Level 0 Error Flag

#### SYSMAC NET Link and SYSMAC LINK Systems (CPU11-E only)

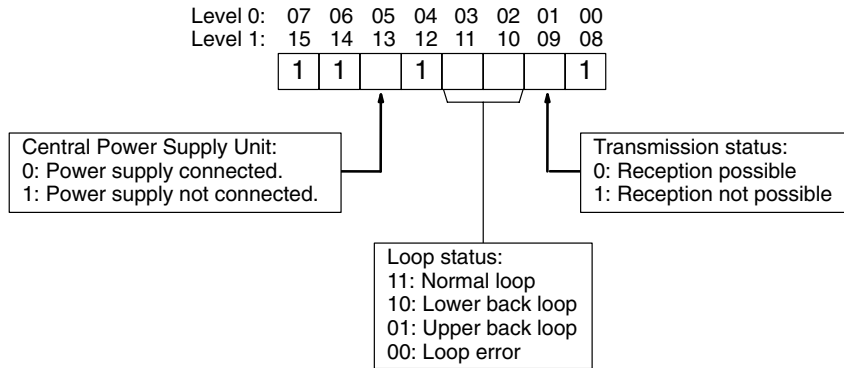
SR 25200 turns ON to indicate an error has occurred in level 0, while using SEND(90) or RECV(98) to transfer data in either a SYSMAC NET Link or SYSMAC LINK System. SR 25203 indicates an error has occurred in level 1. Turning ON SR 25201 enables SEND(90) and RECV(98) in level 0 in these Systems. Turning ON SR 25204 enables SEND(90) and RECV(98) in level 1. SR 25202 turns ON when a data link is active in operating level 0 of either of these Systems and SR 25205 turns ON with a data link is active in operating level 1. These flags and corresponding SR bits are shown below.

Bit	Flag
25200	Operating Level 0 SEND(90)/RECV(98) Error Flag
25201	Operating Level 0 SEND(90)/RECV(98) Enable Flag
25202	Operating Level 0 Data Link Operating Flag
25203	Operating Level 1 SEND(90)/RECV(98) Error Flag
25204	Operating Level 1 SEND(90)/RECV(98) Enable Flag
25205	Operating Level 1 Data Link Operating Flag



**SYSMAC NET Link Loop Status Output**

SR 236 contains the SYSMAC NET Link Loop Status Flags. Bits 00 through 07 are the Loop Status Flags for operating level 0, and bits 08 through 15 are the Flags for operating level 1. The bit functions are shown below.



**Communications Completion Code**

When SEND(90) or RECV(98) is used in a SYSMAC LINK System, a completion code is output to SR 23700 through SR 23707 for level 0, or SR 23708 through SR 23715 for level 1, to indicate whether or not the data transfer was completed successfully and to indicate the nature of the error when communications are not completed successfully. These error codes are as follows.

**SYSMAC LINK Systems**

Completion code	Name	Meaning
00	Normal end	Data transfer was completed successfully.
01	Parameter error	SEND(90)/RECV(98) instruction operands are not within specified ranges.
02	Transmission impossible	The System was reset during execution of the instruction or the destination node is not in the System.
03	Destination not in System	The destination node is not in the System.
04	Busy error	The destination node is busy and cannot receive the transfer.
05	Response timeout	A response was not received within the time limit.
06	Response error	An error response was received from the destination node.
07	Communications controller error	An error occurred in the communications controller.
08	Setting error	The node address was set incorrectly.
09	CPU error	A CPU error occurred in the PC of the destination node.

**SYSMAC NET Link Systems**

Completion code	Name	Meaning
00	Normal end	Data transfer was completed successfully.
01	Parameter error	SEND(90)/RECV(98) instruction operands are not within specified ranges.
02	Transmission impossible	The System was reset during execution of the instruction or the destination node is not in the System.
03	Busy error	The destination node is busy and cannot receive the transfer.
04	Transmission error	The line server token was not received.
05	Loop error	An error occurred in the transmission loop.
06	No response	Destination node does not exist or response was not received within the time limit.
07	Response error	Incorrect response format.

**Data Link Status**

SYSMAC LINK/SYSMAC NET Link Data link status is output to SR 238 through SR 241 for the operating level 0 data link, and to SR 242 through SR 245 for the operating level 1 data link in the SYSMAC NET Link or SYSMAC LINK System.

The meaning of each bit in these areas differs depending on whether the data link is in a SYSMAC LINK System or SYSMAC NET Link System, as shown below.

**SYSMAC LINK Systems**

Level 0	Level 1	Bits			
		00 to 03	04 to 07	08 to 11	12 to 15
SR 238	SR 242	Node 1	Node 2	Node 3	Node 4
SR 239	SR 243	Node 5	Node 6	Node 7	Node 8
SR 240	SR 244	Node 9	Node 10	Node 11	Node 12
SR 241	SR 245	Node 13	Node 14	Node 15	Node 16

Each of the above sets of four bits operates as shown below.

Leftmost bit	Middle bits		Rightmost bit
ON when data link is active.	ON when there is a data communications error.	ON when there is a PC error.	ON when PC is in RUN mode.

**SYSMAC NET Link Systems**

Level 0	Level 1	Bit numbers in header/Registration number in the data link table															
		PC Error Flags								PC Run Flags							
		00	01	02	03	04	05	06	07	08	09	10	11	12	13	14	15
SR 238	SR 242	1	2	3	4	5	6	7	8	1	2	3	4	5	6	7	8
SR 239	SR 243	9	10	11	12	13	14	15	16	9	10	11	12	13	14	15	16
SR 240	SR 244	17	18	19	20	21	22	23	24	17	18	19	20	21	22	23	24
SR 241	SR 245	25	26	27	28	29	30	31	32	25	26	27	28	29	30	31	32

**PC Link Systems**

**PC Link Unit Error and Run Flags**

When the PC belongs to a PC Link System, words 247 through 250 are used to monitor the operating status of all PC Link Units connected to the PC Link System. This includes a maximum of 32 PC Link Units. If the PC is in a Multi-level PC Link System, half of the PC Link Units will be in a PC Link Subsys-

tem in operating level 0; the other half, in a Subsystem in operating level 1. The actual bit assignments depend on whether the PC is in a Single-level PC Link System or a Multilevel PC Link System. Refer to the *PC Link System Manual* for details. Error and Run Flag bit assignments are described below.

Bits 00 through 07 of each word are the Run flags, which are ON when the PC Link Unit is in RUN mode. Bits 08 through 15 are the Error flags, which are ON when an error has occurred in the PC Link Unit. The following table shows bit assignments for Single-level and Multi-level PC Link Systems.

### Single-level PC Link Systems

Flag type	Bit no.	SR 247	SR 248	SR 249	SR 250
Run flags	00	Unit #24	Unit #16	Unit #8	Unit #0
	01	Unit #25	Unit #17	Unit #9	Unit #1
	02	Unit #26	Unit #18	Unit #10	Unit #2
	03	Unit #27	Unit #19	Unit #11	Unit #3
	04	Unit #28	Unit #20	Unit #12	Unit #4
	05	Unit #29	Unit #21	Unit #13	Unit #5
	06	Unit #30	Unit #22	Unit #14	Unit #6
	07	Unit #31	Unit #23	Unit #15	Unit #7
Error flags	08	Unit #24	Unit #16	Unit #8	Unit #0
	09	Unit #25	Unit #17	Unit #9	Unit #1
	10	Unit #26	Unit #18	Unit #10	Unit #2
	11	Unit #27	Unit #19	Unit #11	Unit #3
	12	Unit #28	Unit #20	Unit #12	Unit #4
	13	Unit #29	Unit #21	Unit #13	Unit #5
	14	Unit #30	Unit #22	Unit #14	Unit #6
	15	Unit #31	Unit #23	Unit #15	Unit #7

Multilevel PC Link Systems

Flag type	Bit no.	SR 247	SR 248	SR 249	SR 250
Run flags	00	Unit #8, level 1	Unit #0, level 1	Unit #8, level 0	Unit #0, level 0
	01	Unit #9, level 1	Unit #1, level 1	Unit #9, level 0	Unit #1, level 0
	02	Unit #10, level 1	Unit #2, level 1	Unit #10, level 0	Unit #2, level 0
	03	Unit #11, level 1	Unit #3, level 1	Unit #11, level 0	Unit #3, level 0
	04	Unit #12, level 1	Unit #4, level 1	Unit #12, level 0	Unit #4, level 0
	05	Unit #13, level 1	Unit #5, level 1	Unit #13, level 0	Unit #5, level 0
	06	Unit #14, level 1	Unit #6, level 1	Unit #14, level 0	Unit #6, level 0
	07	Unit #15, level 1	Unit #7, level 1	Unit #15, level 0	Unit #7, level 0
Error flags	08	Unit #8, level 1	Unit #0, level 1	Unit #8, level 0	Unit #0, level 0
	09	Unit #9, level 1	Unit #1, level 1	Unit #9, level 0	Unit #1, level 0
	10	Unit #10, level 1	Unit #2, level 1	Unit #10, level 0	Unit #2, level 0
	11	Unit #11, level 1	Unit #3, level 1	Unit #11, level 0	Unit #3, level 0
	12	Unit #12, level 1	Unit #4, level 1	Unit #12, level 0	Unit #4, level 0
	13	Unit #13, level 1	Unit #5, level 1	Unit #13, level 0	Unit #5, level 0
	14	Unit #14, level 1	Unit #6, level 1	Unit #14, level 0	Unit #6, level 0
	15	Unit #15, level 1	Unit #7, level 1	Unit #15, level 0	Unit #7, level 0

Application Example

If the PC is in a Multilevel PC Link System and the content of word 248 is 02FF, then PC Link Units #0 through #7 of in the PC Link Subsystem assigned operating level 1 would be in RUN mode, and PC Link Unit #1 in the same Subsystem would have an error. The hexadecimal digits and corresponding binary bits of word 248 would be as shown below.

Bit no.	15	.....	00
Binary	0 0 0 0	0 0 1 0	1 1 1 1
Hex	0	2	F

3-4-3 Forced Status Hold Bit (CPU11-E Only)

SR 25211 determines whether or not the status of bits that have been force-set or force-reset is maintained when switching between PROGRAM and MONITOR mode to start or stop operation. If SR 25211 is ON, bit status will be maintained; if SR 25211 is OFF, all bits will return to default status when operation is started or stopped. The Force Status Hold Bit is only effective when enabled with the Set System instruction (SYS(49)).

The status of SR 25211 is not affected by a power interruption unless the I/O table is registered; in that case, SR 25211 will go OFF.

SR 25211 is not effective when switching to RUN mode.

SR 25211 should be manipulated from a Peripheral Device, e.g., a Programming Console or FIT.

**Maintaining Status during Startup**

The status of SR 25211 and thus the status of force-set/force-reset bits can be maintained when power is turned off and on by inserting the Set System instruction (SYS(49)) in the program as step 00000 with the proper operand. If SYS(49) is used in this way, the status of SR 25211 will be preserved when power is turned off and on. If this is done and SR 25211 is ON, then the status of force-set/force-reset bits will also be preserved, as shown in the following table. The use of SYS(49) does not affect operation when switching to run mode, i.e., force-set/force-reset bits always return to default status when switching to RUN mode.

Status before shutdown		Status at next startup	
SR 25211	SYS(49)	SR 25211	Force-set/reset bits
ON	Executed	ON	Status maintained
	Not executed	OFF	Default status
OFF	Executed	OFF	Default status
	Not executed	OFF	Default status

Refer to *Section 5 Instruction Set* for details on SYS(49).

**3-4-4 I/O Status Hold Bit**

SR 25212 determines whether or not the status of IR and LR area bits is maintained when operation is started or stopped, when operation begins by switching from PROGRAM mode to MONITOR or RUN modes. If SR 25212 is ON, bit status will be maintained; if SR 25212 is OFF, all IR and LR area bits will be reset. With the CPU11-E CPU Unit, the I/O Status Hold Bit will only be effective if enabled with the Set System instruction (SYS(49)).

The status of SR 25211 is not affected by a power interruption unless the I/O table is registered; in that case, SR 25211 will go OFF.

SR 25212 can be turned ON from the program using the Output instruction, or it can be turned ON from a Peripheral Device.

**Maintaining Status during Startup**

With the CPU11-E CPU Unit, the status of SR 25212 and thus the status of IR and LR area bits can be maintained when power is turned off and on by inserting the System Operation instruction (SYS(49)) into the program as step 00000 with the proper operand. If SYS(49) is used in this way, the status of SR 25212 will be preserved when power is turned off and on. If this is done and SR 25212 is ON, then the status of IR and LR area bits will also be preserved, as shown in the following table.

Status before shutdown		Status at next startup	
SR 25212	SYS(49)	SR 25212	IR and LR bits
ON	Executed	ON	Status maintained
	Not executed	OFF	Reset
OFF	Executed	OFF	Reset
	Not executed	OFF	Reset

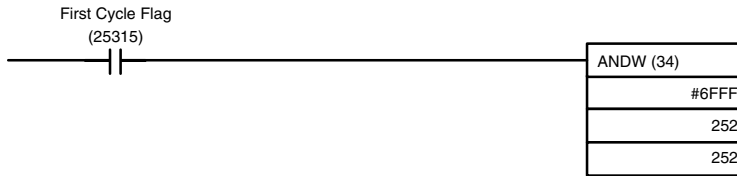
Refer to *Section 5 Instruction Set* for details on SYS(49).

The status of the I/O Status Hold Bit is maintained for power interruptions or when PC operation is stopped.

**Operating without a Battery** In the following cases, DM (DM 0000 to DM 0999), HR, AR, CNT, and SR area data will not be retained in the CPU Unit's internal RAM when the power is turned OFF.

- When a RAM Unit without battery backup is used and the backup time has been exceeded for the backup capacitor.
- When a RAM Unit with battery backup is used, but the battery is low.

Because this data is not retained, the Output OFF Bit (SR 25215) and the I/O Status Hold Bit (SR 25212) are not reliable when the power is turned ON. If the Output OFF Bit is ON, the outputs from all of the Output Units will be turned OFF. To ensure that the outputs from all of the Output Units are not turned OFF when the power is turned ON, take a preventive measure, such as writing the following instructions into the ladder program.



### 3-4-5 Output OFF Bit

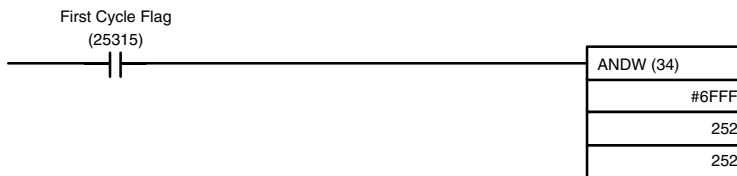
SR bit 25215 is turned ON to turn OFF all outputs from the PC. The OUT INHIBIT indicator on the front panel of the CPU will light. When the Output OFF Bit is OFF, all output bits will be refreshed in the usual way.

The status of the Output OFF Bit is maintained for power interruptions or when PC operation is stopped, unless the I/O table has been registered (CPU Units CPU01-E and CPU03-E), or the I/O table has been registered and either the Force Status Hold Bit or the I/O Status Hold Bit has not been enabled with SYS(49) (CPU Unit CPU11-E).

**Operating without a Battery** In the following cases, DM (DM 0000 to DM 0999), HR, AR, CNT, and SR area data will not be retained in the CPU Unit's internal RAM when the power is turned OFF.

- When a RAM Unit without battery backup is used and the backup time has been exceeded for the backup capacitor.
- When a RAM Unit with battery backup is used, but the battery is low.

Because this data is not retained, the Output OFF Bit (SR 25215) and the I/O Status Hold Bit (SR 25212) are not reliable when the power is turned ON. If the Output OFF Bit is ON, the outputs from all of the Output Units will be turned OFF. To ensure that the outputs from all of the Output Units are not turned OFF when the power is turned ON, take a preventive measure, such as writing the following instructions into the ladder program.



### 3-4-6 FAL (Failure Alarm) Area

A 2-digit BCD FAL code is output to bits 25300 to 25307 when the FAL or FALS instruction is executed. These codes are user defined for use in error diagnosis, although the PC also outputs FAL codes to these bits, such as one caused by battery voltage drop.

This area can be reset by executing the FAL instruction with an operand of 00 or by performing a Failure Read Operation from the Programming Console.

### 3-4-7 Low Battery Flag

SR bit 25308 turns ON if the voltage of the RAM Unit or CPU11-E backup battery drops. The ALARM/ERROR indicator on the front of the CPU will also flash.

AR bit 2404 is a separate Low Battery Flag for the CPU11-E only. It is therefore possible to determine which backup battery is low, that of the RAM Unit or CPU11-E, by checking the status of AR 2404.

This bit can be programmed to activate an external warning for a low battery voltage.

The Set System instruction (SYS(49)) can be used to turn off the operation of the battery alarm if desired, e.g., when DM 1000 to DM 1999 is placed in ROM and a battery is not used in operation. Refer to *Section 5 Instruction Set* for details.

### 3-4-8 Cycle Time Error Flag

SR bit 25309 turns ON if the cycle time exceeds 100 ms. The ALARM/ERROR indicator on the front of the CPU will also flash. Program execution will not stop, however, unless the maximum time limit set for the watchdog timer is exceeded. Timing may become inaccurate after the cycle time exceeds 100 ms.

### 3-4-9 I/O Verification Error Flag

SR bit 25310 turns ON when the Units mounted in the system disagree with the I/O table registered in the CPU. The ALARM/ERROR indicator on the front of the CPU will also flash, but PC operation will continue.

To ensure proper operation, PC operation should be stopped, Units checked, and the I/O table corrected whenever this flag goes ON.

### 3-4-10 First Cycle Flag

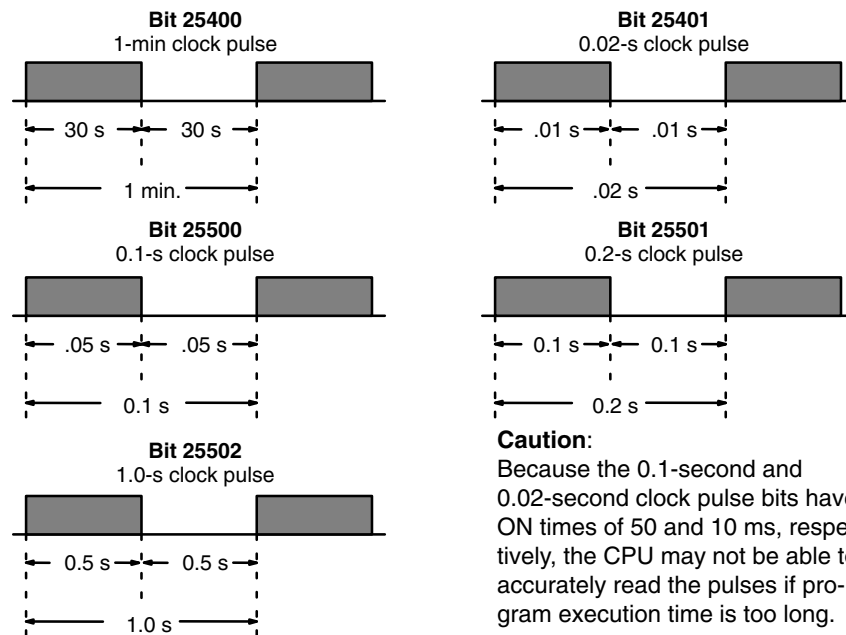
SR bit 25315 turns ON when PC operation begins and then turns OFF after one cycle of the program. The First Cycle Flag is useful in initializing counter values and other operations. An example of this is provided *5-12 Timer and Counter Instructions*.

### 3-4-11 Clock Pulse Bits

Five clock pulses are available to control program timing. Each clock pulse bit is ON for the first half of the rated pulse time, then OFF for the second half. In other words, each clock pulse has a duty factor of 50%.

These clock pulse bits are often used with counter instructions to create timers. Refer to *5-12 Timer and Counter Instructions* for an example of this.

<b>Pulse width</b>	1 min	0.02 s	0.1 s	0.2 s	1.0 s
<b>Bit</b>	25400	25401	25500	25501	25502



### 3-4-12 Step Flag

SR bit 25407 turns ON for one cycle when step execution is started with the STEP(08) instruction.

### 3-4-13 Instruction Execution Error Flag, ER

SR bit 25503 turns ON if an attempt is made to execute an instruction with incorrect operand data. Common causes of an instruction error are non-BCD operand data when BCD data is required, or an indirectly addressed DM word that is non-existent. **When the ER Flag is ON, the current instruction will not be executed.**

### 3-4-14 Arithmetic Flags

The following flags are used in data shifting, arithmetic calculation, and comparison instructions. They are generally referred to only by their two-letter abbreviations.

**Caution** These flags are all reset when the END(01) instruction is executed, and therefore cannot be monitored from a programming device.

Refer to 5-13 *Data Shifting*, 5-15 *Data Comparison*, 5-17 *BCD Calculations*, and 5-18 *Binary Calculations* for details.

#### Carry Flag, CY

SR bit 25504 turns ON when there is a carry in the result of an arithmetic operation or when a rotate or shift instruction moves a "1" into CY. The content of CY is also used in some arithmetic operations, e.g., it is added or subtracted along with other operands. This flag can be set and cleared from the program using the Set Carry and Clear Carry instructions.

#### Greater Than Flag, GR

SR bit 25505 turns ON when the result of a comparison shows the first of two operands to be greater than the second.

#### Equal Flag, EQ

SR bit 25506 turns ON when the result of a comparison shows two operands to be equal or when the result of an arithmetic operation is zero.

#### Less Than Flag, LE

SR bit 25507 turns ON when the result of a comparison shows the first of two operands to be less than the second.

**Note** The four arithmetic flags are turned OFF when END(01) is executed.



## 3-5 AR (Auxiliary Relay) Area

AR word addresses extend from AR 00 to AR 27; AR bit addresses extend from AR 0000 to AR 2715. Most AR area words and bits are dedicated to specific uses, such as transmission counters, flags, and control bits, and words AR 00 through AR 06 and AR 23 through AR 27 cannot be used for any other purpose. Words and bits from AR 07 to AR 22 are available as work words and work bits if not used for the following assigned purposes.

Word	Use
AR 0713 to AR 0715	Error History Area (CPU11-E only)
AR 07 to AR 15	SYSMAC LINK Units
AR 16, AR 17	SYSMAC LINK and SYSMAC NET Link Units
AR 18 to AR 21	Calendar/clock Area (CPU11-E only)
AR 0708, AR 22	TERMINAL Mode Key Bits (CPU11-E only)

The AR area retains status during power interruptions, when switching from MONITOR or RUN mode to PROGRAM mode, or when PC operation is stopped. Bit allocations are shown in the following table and described in the following pages in order of bit number.

### AR Area Flags and Control Bits

Word(s)	Bit(s)	Function
00	00 to 09	Error Flags for Special I/O Units 0 to 9 (also function as Error Flags for PC Link Units)
	10	Error Flag for operating level 1 of SYSMAC LINK or SYSMAC NET Link System
	11	Error Flag for operating level 0 of SYSMAC LINK or SYSMAC NET Link System
	12	Host Computer to Rack-mounting Host Link Unit Level 1 Error Flag
	13	Host Computer to Rack-mounting Host Link Unit Level 0 Error Flag
	14	Remote I/O Master Unit 1 Error Flag
	15	Remote I/O Master Unit 0 Error Flag
01	00 to 09	Restart Bits for Special I/O Units 0 to 9 (also function as Restart Bits for PC Link Units)
	10	Restart Bit for operating level 1 of SYSMAC LINK or SYSMAC NET Link System
	11	Restart Bit for operating level 0 of SYSMAC LINK or SYSMAC NET Link System
	12, 13	Not used.
	14	Remote I/O Master Unit 1 Restart Bit
	15	Remote I/O Master Unit 0 Restart Bit
02	00 to 04	Error Flags for Slave Racks 0 to 4
	05 to 15	Not used.
03	00 to 15	Error Flags for Optical I/O Units 0 to 7
04	00 to 15	Error Flags for Optical I/O Units 8 to 15
05	00 to 15	Error Flags for Optical I/O Units 16 to 23
06	00 to 15	Error Flags for Optical I/O Units 24 to 31
07	00 to 03	Data Link setting for operating level 0 of SYSMAC LINK System
	04 to 07	Data Link setting for operating level 1 of SYSMAC LINK System
	08	TERMINAL Mode Input Cancel Bit (CPU11-E only)
	09 to 12	Not used.
	13	Error History Overwrite Bit (CPU11-E only)
	14	Error History Reset Bit (CPU11-E only)
	15	Error History Enable Bit (CPU11-E only)
08 to 11	00 to 15	Active Node Flags for SYSMAC LINK System nodes of operating level 0

Word(s)	Bit(s)	Function
12 to 15	00 to 15	Active Node Flags for SYSMAC LINK System nodes of operating level 1
16	00 to 15	SYSMAC LINK/SYSMAC NET Link System operating level 0 service time per cycle
17	00 to 15	SYSMAC LINK/SYSMAC NET Link System operating level 1 service time per cycle
18 to 21	00 to 15	Calendar/clock Area (CPU11-E only)
22	00 to 15	TERMINAL Mode Key Bits (CPU11-E only)
23	00 to 15	Power Off Counter
24	00 to 03	Not used.
	04	CPU Unit Low Battery Flag (CPU11-E only)
	05	Cycle Time Flag
	06	SYSMAC LINK System Network Parameter Flag for operating level 1
	07	SYSMAC LINK System Network Parameter Flag for operating level 0
	08	SYSMAC/SYSMAC NET Link Unit Level 1 Mounted Flag
	09	SYSMAC/SYSMAC NET Link Unit Level 0 Mounted Flag
	10 to 12	Not used.
	13	Rack-mounting Host Link Unit Level 1 Mounted Flag
	14	Rack-mounting Host Link Unit Level 0 Mounted Flag
	15	CPU-mounting Device Mounted Flag
25	00 to 15	FALS-generating Address
26	00 to 15	Maximum Cycle Time
27	00 to 15	Present Cycle Time

### 3-5-1 Optical Transmitting I/O Unit Error Flags

AR 03 through AR 06 contain the Error Flags for Optical Transmitting I/O Units. An error indicates a duplication of a unit number. Up to 64 Optical Transmitting I/O Units can be connected to the PC. Units are distinguished by unit number, 0 through 31, and a letter, L or H. Bits are allocated as shown in the following table.

Bits	AR03 allocation	AR04 allocation	AR05 allocation	AR06 allocation
00	0 L	8 L	16 L	24 L
01	0 H	8 H	16 H	24 H
02	1 L	9 L	17 L	25 L
03	1 H	9 H	17 H	25 H
04	2 L	10 L	18 L	26 L
05	2 H	10 H	18 H	26 H
06	3 L	11 L	19 L	27 L
07	3 H	11 H	19 H	27 H
08	4 L	12 L	20 L	28 L
09	4 H	12 H	20 H	28 H
10	5 L	13 L	21 L	29 L
11	5 H	13 H	21 H	29 H
12	6 L	14 L	22 L	30 L
13	6 H	14 H	22 H	30 H
14	7 L	15 L	23 L	31 L
15	7 H	15 H	23 H	31 H

### 3-5-2 SYSMAC LINK System Data Link Settings

AR 0700 to AR 0703 and AR 0704 to AR 0707 are used to designate word allocations for operating levels 0 and 1 of the SYSMAC LINK System. Allocation can be set to occur either according to settings from an FIT or automatically in the LR and/or DM areas. If automatic allocation is designated, the number of words to be allocated to each node is also designated. These settings are shown below.

#### External/Automatic Allocation

Operating level 0		Operating level 1		Setting	
AR 0700	AR 0701	AR 0704	AR 0705		
0	0	0	0	Words set externally (FIT)	
1	0	1	0	Automatic allocation	
0	1	0	1		LR area only
1	1	1	1		DM area only
				LR and DM areas	

#### Words per Node

The following setting is necessary if automatic allocation is designated above.

Operating level 0		Operating level 1		Words per node		Max. no. of nodes
AR 0702	AR 0703	AR 0706	AR 0707	LR area	DM area	
0	0	0	0	4	8	16
1	0	1	0	8	16	8
0	1	0	1	16	32	4
1	1	1	1	32	64	2

The above settings are read every cycle while the SYSMAC LINK System is in operation.

### 3-5-3 Error History Bits (CPU11-E Only)

AR 0713 (Error History Overwrite Bit) is turned ON or OFF by the user to control overwriting of records in the Error History Area in the DM area. Turn AR 0713 ON to overwrite the oldest error record each time an error occurs after 10 have been recorded. Turn OFF AR 0713 to store only the first 10 records that occur each time after the history area is cleared.

AR 0714 (Error History Reset Bit) is turned ON and then OFF by the user to reset the Error Record Pointer (DM 0969) and thus restart recording error records at the beginning of the history area.

AR 0715 (Error History Enable Bit) is turned ON by the user to enable error history storage and turned OFF to disable error history storage.

Refer to 3-6 DM Area for details on the Error History Area.

Error history bits are refreshed each cycle.

### 3-5-4 Active Node Flags (CPU11-E only)

AR 08 through AR 11 and AR 12 through AR 15 provide flags that indicate which nodes are active in the SYSMAC LINK System at the current time. These flags are refreshed every cycle while the SYSMAC LINK System is operating.

The body of the following table show the node number assigned to each bit. If the bit is ON, the node is currently active.

Level 0	Level 1	Bit (body of table shows node numbers)															
		00	01	02	03	04	05	06	07	08	09	10	11	12	13	14	15
AR 08	AR 12	1	2	3	4	5	6	7	8	9	10	11	12	13	14	15	16
AR 09	AR 13	17	18	19	20	21	22	23	24	25	26	27	28	29	30	31	32
AR 10	AR 14	33	34	35	36	37	38	39	40	41	42	43	44	45	46	47	48
AR 11	AR 15	49	50	51	52	53	54	55	56	57	58	59	60	61	62	*	**

\*Communication Controller Error Flag

\*\*EEPROM Error Flag

### 3-5-5 SYSMAC LINK/SYSMAC NET Link System Service Time (CPU11-E only)

AR 16 provides the time allocated to servicing operating level 0 of the SYSMAC LINK System and/or SYSMAC NET Link System during each cycle when a SYSMAC LINK Unit and/or SYSMAC NET Link Unit is mounted to a Rack.

AR 17 provides the time allocated to servicing operating level 1 of the SYSMAC LINK System and/or SYSMAC NET Link System during each cycle when a SYSMAC LINK Unit and/or SYSMAC NET Link Unit is mounted to a Rack.

These times are recorded in 4-digit BCD to tenths of a millisecond (000.0 ms to 999.9 ms) and are refreshed every cycle.

Bits			
15 to 12	11 to 08	07 to 04	03 to 00
10 <sup>2</sup>	10 <sup>1</sup>	10 <sup>0</sup>	10 <sup>-1</sup>

### 3-5-6 Calendar/Clock Area and Bits (CPU11-E Only)

#### Calendar/Clock Area

If AR 2114 (Stop Bit) is OFF, then the date, day, and time will be available in BCD in AR 18 to AR 20 and AR 2100 to AR 2108 as shown below. This area can also be controlled with AR 2113 (Seconds Round-off Bit) and AR 2115 (Set Bit).

Bits	Contents	Possible values
AR 1800 to AR 1807	Seconds	00 to 59
AR 1808 to AR 1815	Minutes	00 to 59
AR 1900 to AR 1907	Hours	00 to 23 (24-hour system)
AR 1908 to AR 1915	Day of month	01 to 31 (adjusted by month and for leap year)
AR 2000 to AR 2007	Month	1 to 12
AR 2008 to AR 2015	Year	00 to 99 (Rightmost two digits of year)
AR 2100 to AR 2107	Day of week	00 to 06 (00: Sunday; 01: Monday; 02: Tuesday; 03: Wednesday; 04: Thursday; 05: Friday; 06: Saturday)

#### Seconds Round-off Bit

AR 2113 is turned ON to round the seconds of the Calendar/clock Area to zero, i.e., if the seconds is 29 or less, it is merely set to 00; if the seconds is 30 or greater, the minutes is incremented by 1 and the seconds is set to 00.

#### Stop Bit

AR 2114 is turned OFF to enable the operation of the Calendar/clock Area and ON to stop the operation.

#### Set Bit

AR 2115 is used to set the Calendar/clock Area as described below. This data must be in BCD and must be set within the limits for the Calendar/clock Area given above.

- 1, 2, 3... 1. Turn ON AR 2114 (Stop Bit).  
 2. Set the desired date, day, and time, being careful not to turn OFF AR 2114 (Stop Bit) when setting the day of the week (they're in the same word). (On the Programming Console, the Bit/Digit Monitor and Force Set/Reset Operations are the easiest ways to set this data.)

**Note** A more convenient way is if steps 1 and 2 are executed simultaneously as follows.

Set 4000 to 4006 with present value change.

↑  
Stop bit ON data

3. Turn ON AR 2115 (Reset Bit). The Calendar/clock will automatically start operating with the designated settings and AR 2114 and AR 2115 will both be turned OFF.

The Calendar/clock Area and Bits are refreshed each cycle while operational.

### 3-5-7 TERMINAL Mode Key Bits (CPU11-E Only)

If the Programming Console is mounted to the PC and is in TERMINAL mode, any inputs on keys 0 through 9 (including characters A through F, i.e., keys 0 through 5 with SHIFT) will turn on a corresponding bit in AR 22. TERMINAL mode is entered either through Programming Console operations or by executing KEY(62).

The bits in AR 22 correspond to Programming Console inputs as follows:

Bit	Programming Console input
AR 2200	0
AR 2201	1
AR 2202	2
AR 2203	3
AR 2204	4
AR 2205	5
AR 2206	6
AR 2207	7
AR 2208	8
AR 2209	9
AR 2210	A
AR 2211	B
AR 2212	C
AR 2213	D
AR 2214	E
AR 2215	F

Refer to *Section 5 Instruction Set* for details on KEY(62) and to *Section 7 Program Monitoring and Execution* for details on the TERMINAL mode.

### 3-5-8 Power-OFF Counter

AR 23 provides in 4-digit BCD the number of times that the PC power has been turned off. This counter can be reset as necessary using the PV Change 1 operation from the Programming Console. (Refer to *7-1-4 Hex/BCD Data Modification* for details.) The Power-OFF Counter is refreshed every time power is turned on.

### 3-5-9 CPU Low Battery Flag (CPU11-E Only)

AR 2404 is the Battery Alarm Flag for the CPU11-E backup battery.

AR 2404 is refreshed every cycle while the PC is in RUN or MONITOR mode.

### 3-5-10 SCAN(18) Cycle Time Flag (CPU11-E Only)

AR 2405 turns ON when the cycle time set with SCAN(18) is shorter than the actual cycle time.

AR 2405 is refreshed every cycle while the PC is in RUN or MONITOR mode.

### 3-5-11 Network Parameter Flags

AR 2406 is ON when the actual setting of the network parameter for operating level 1 of the SYSMAC LINK System differs from the setting at the FIT.

AR 2407 is ON when the actual setting of the network parameter for operating level 0 of the SYSMAC LINK System differs from the setting at the FIT.

### 3-5-12 Link Unit Mounted Flags

The following flags indicate when the specified Link Units are mounted to the Racks. (Refer to 3-5-13 CPU-mounting Device Flag for CPU-mounting Host Link Units.) These flags are refreshed every cycle.

Name	Bit	Link Unit
SYSMAC LINK/SYSMAC NET Link Unit Level 1 Mounted Flag	AR 2408	SYSMAC LINK/SYSMAC NET Link Unit in operating level 1
SYSMAC LINK/SYSMAC NET Link Unit Level 0 Mounted Flag	AR 2409	SYSMAC LINK/SYSMAC NET Link Unit in operating level 0
Rack-mounting Host Link Unit Level 1	AR 2413	Rack-mounting Host Link Unit in operating level 1
Rack-mounting Host Link Unit Level 0	AR 2414	Rack-mounting Host Link Unit in operating level 0

### 3-5-13 CPU-mounting Device Flag

AR 2415 turns ON when any device is mounted directly to the CPU. This includes CPU-mounting Host Link Units, Programming Consoles, and Interface Units. This flag is refreshed every cycle.

### 3-5-14 FALS-generating Address

AR 25 contains the address generating a user-programmed FALS code or a system FALS code 9F (cycle time error). The address is in 4-digit BCD. FALS codes are described in 5-22-1 FAILURE ALARM - FAL(06) and SEVERE FAILURE ALARM - FALS(07). The address is refreshed every cycle when an FALS code has been generated.

### 3-5-15 Cycle Time Indicators

AR 26 contains the maximum cycle time that has occurred since program execution was begun. AR 27 contains the present cycle time.

Both times are to tenths of a millisecond in 4-digit BCD (000.0 ms to 999.9 ms), and are refreshed every cycle.

## 3-6 DM (Data Memory) Area

The DM area is divided into various parts as described in the following table.

Addresses	User read/write	Usage
DM 0000 to DM 0968	Read/write	General User Area
DM 0969 to DM 0999	Read/write	Error History Area (CPU11-E only)
DM 1000 to DM 1999	Read only	Special I/O Unit Data Area

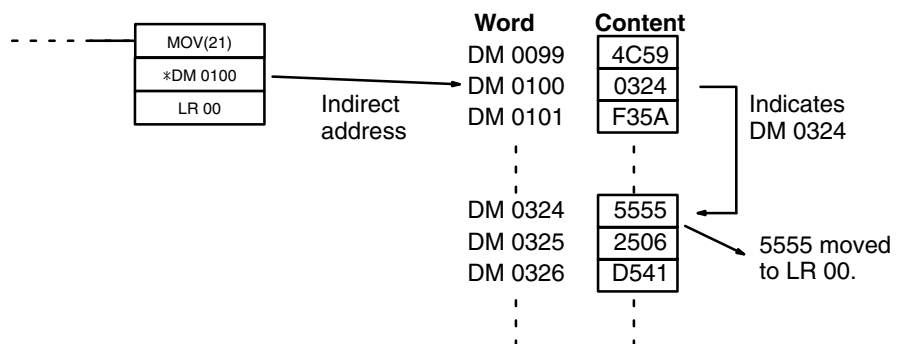
Although composed of 16-bit words like any other data area, all data in any part of the DM area cannot be specified by bit for use in instructions with bit operands. DM 0000 to DM 0999 can be written to by the program, but DM 1000 to DM 1999 can only be written to using a peripheral programming device, such as a Programming Console, GPC, FIT, or SYSMATE software.

The DM area retains status during power interruptions.

### Indirect Addressing

Normally, when the content of a data area word is specified for an instruction, the instruction is performed directly on the content of that word. For example, suppose MOV(21) is performed with DM 0100 as the first operand and LR 20 as the second operand. When this instruction is executed, the content of DM 0100 is moved to LR 20.

It is possible, however, to use indirect DM addresses as the operands for many instructions. To indicate an indirect DM address, \*DM is input with the address of the operand. With an indirect address, with content of this operand does not contain the actual data to be used. Instead, it's contents is assumed to hold the address of another DM word, the content of which will actually be used in the instruction. If \*DM 0100 was used in our example above and the content of DM 0100 is 0324, then \*DM 0100 actually means that the content of DM 0324 is to be used as the operand in the instruction, and the content of DM 0324 will be moved to LR 20.



### Error History Area

DM 0969 to DM 0999 are used to store up to 10 records that show the nature, time, and date of errors that have occurred in the PC. The time and date entries in these records are only recorded in PCs that are equipped with the calendar/clock function.

The Error History Area will store system-generated or FAL(06)/FALS(07)-generated error codes whenever AR 0715 (Error History Enable Bit) is ON. Refer to *Section 8 Troubleshooting* for details on error codes.

**Area Structure**

Error records occupy three words each stored between DM 0970 and DM 0999. The last record that was stored can be obtained via the content of DM 0969 (Error Record Pointer). The record number, DM words, and pointer value for each of the ten records are as follows:

Record	Addresses	Pointer value
None	N.A.	0000
1	DM 0970 to DM 0972	0001
2	DM 0973 to DM 0975	0002
3	DM 0976 to DM 0978	0003
4	DM 0979 to DM 0981	0004
5	DM 0982 to DM 0984	0005
6	DM 0985 to DM 0987	0006
7	DM 0988 to DM 0990	0007
8	DM 0991 to DM 0993	0008
9	DM 0994 to DM 0996	0009
10	DM 0997 to DM 0999	000A

Although each of them contains a different record, the structure of each record is the same: the first word contains the error code; the second and third words, the day and time. The error code will be either one generated by the system or by FAL(06)/FALS(07); the time and date will be the date and time from AR 18 and AR 19 (Calendar/date Area). Also recorded with the error code is an indication of whether the error is fatal (08) or non-fatal (00). This structure is shown below.

Word	Bit	Content
First	00 to 07	Error code
	08 to 15	00 (non-fatal) or 80 (fatal)
Second	00 to 07	Seconds
	08 to 15	Minutes
Third	00 to 07	Hours
	08 to 15	Day of month

**Operation**

When the first error code is generated with AR 0715 (Error History Enable Bit) turned ON, the relevant data will be placed in the error record after the one indicated by the History Record Pointer (initially this will be record 1) and the Pointer will be incremented. Any other error codes generated thereafter will be placed in consecutive records until the last one is used. Processing of further error records is based on the status of AR 0713 (Error History Overwrite Bit).

If AR 0713 is ON and the Pointer contains 000A, the next error will be written into record 10, the contents of record 10 will be moved to record 9, and so on until the contents of record 1 is moved off the end and lost, i.e., the area functions like a shift register. The Record Pointer will remain set to 000A.

If AR 0713 is OFF and the Pointer reaches 000A, the contents of the Error History Error will remain as it is and any error codes generate thereafter will not be recorded until AR 0713 is turned OFF or until the Error History Area is reset.

The Error History Area can be reset by turning ON and then OFF AR 0714 (Error History Reset Bit). When this is done, the Record Pointer will be reset



to 0000, the Error History Area will be reset (i.e., cleared), and any further error codes will be recorded from the beginning of the Error History Area. AR 0715 (Error History Enable Bit) must be ON to reset the Error History Area.

### Special I/O Unit Data

The DM area between 1000 and 1999 is allocated to Special I/O Units as shown below. When not used for this purpose, this area is available for other uses.

Unit	Addresses
0	DM 1000 to DM 1099
1	DM 1100 to DM 1199
2	DM 1200 to DM 1299
3	DM 1300 to DM 1399
4	DM 1400 to DM 1499
5	DM 1500 to DM 1599
6	DM 1600 to DM 1699
7	DM 1700 to DM 1799
8	DM 1800 to DM 1899
9	DM 1900 to DM 1999

## 3-7 HR (Holding Relay) Area

The HR area is used to store/manipulate various kinds of data and can be accessed either by word or by bit. Word addresses range from HR 00 through HR 99; bit addresses, from HR 0000 through HR 9915. HR bits can be used in any order required and can be programmed as often as required.

The HR area retains status when the system operating mode is changed, when power is interrupted, or when PC operation is stopped.

HR area bits and words can be used to preserve data whenever PC operation is stopped. HR bits also have various special applications, such as creating latching relays with the Keep instruction and forming self-holding outputs. These are discussed in *Section 4 Writing and Inputting the Program* and *Section 5 Instruction Set*.

When a SYSMAC LINK System is used, a certain number of HR bits is required for a routing table and monitor timer. These bits are taken from between HR 00 to HR 42. Refer to the *SYSMAC LINK System Manual* for details.

## 3-8 TC (Timer/Counter) Area

The TC area is used to create and program timers and counters and holds the Completion flags, set values (SV), and present values (PV) for all timers and counters. All of these are accessed through TC numbers ranging from TC 000 through TC 511. Each TC number is defined as either a timer or counter using one of the following instructions: TIM, TIMH, CNT, CNTR(12), TIMW<13>, TMHW<15>, or CNTW<14>. No prefix is required when using a TC number in a timer or counter instruction.

Once a TC number has been defined using one of these instructions, it cannot be redefined elsewhere in the program either using the same or a different instruction. If the same TC number is defined in more than one of these instructions or in the same instruction twice, an error will be generated during the program check. There are no restrictions on the order in which TC numbers can be used.

Once defined, a TC number can be designated as an operand in one or more of certain set of instructions other than those listed above. When defined as a timer, a TC number designated as an operand takes a TIM prefix. The TIM prefix is used regardless of the timer instruction that was used to define the timer. Once defined as a counter, the TC number designated as an operand takes a CNT prefix. The CNT is also used regardless of the counter instruction that was used to define the counter.

TC numbers can be designated for operands that require bit data or for operands that require word data. When designated as an operand that requires bit data, the TC number accesses the completion flag of the timer or counter. When designated as an operand that requires word data, the TC number accesses a memory location that holds the PV of the timer or counter.

TC numbers are also used to access the SV of timers and counters from a Programming Device. The procedures for doing so using the Programming Console are provided in *7-1 Monitoring Operation and Modifying Data*.

The TC area retains the SVs of both timers and counters during power interruptions. The PVs of timers are reset when PC operation is begun and when reset in interlocked program sections. Refer *5-8 INTERLOCK and INTERLOCK CLEAR - IL(02) and ILC(03)* for details on timer and counter operation in interlocked program sections. The PVs of counters are not reset at these times.

Note that in programming “TIM 000” is used to designate three things: the Timer instruction defined with TC number 000, the completion flag for this timer, and the PV of this timer. The meaning in context should be clear, i.e., the first is always an instruction, the second is always a bit, and the third is always a word. The same is true of all other TC numbers prefixed with TIM or CNT.

## 3-9 LR (Link Relay) Area

The LR area is used as a common data area to transfer information between PCs. This data transfer is achieved through a PC Link System, a SYSMAC LINK System, or a SYSMAC NET Link System. Certain words will be allocated as the write words of each PC. These words are written by the PC and automatically transferred to the same LR words in the other PCs in the System. The write words of the other PCs are transferred in as read words so that each PC can access the data written by the other PCs in the PC Link System. Only the write words allocated to the particular PC will be available for writing; all other words may be read only. Refer to the *PC Link System Manual*, *SYSMAC LINK System Manual*, or *SYSMAC NET Link System Manual* for details.

The LR area is accessible either by bit or by word. LR area word addresses range from LR 00 to LR 63; LR area bit addresses, from LR 0000 to LR 6315. Any part of the LR area that is not used by the PC Link System can be used as work words or work bits.

LR area data is not retained when the power is interrupted, when the PC is changed to PROGRAM mode, or when it is reset in an interlocked program section. Refer to *5-8 INTERLOCK and INTERLOCK CLEAR - IL(02) and ILC(03)* for details on interlocks.

## 3-10 Program Memory

Program Memory is where the user program is stored. The amount of Program Memory available is either 4K or 8K words, depending on the type of Memory Unit mounted to the CPU.

Memory Units come in different types, such as RAM and ROM Units, and for each type there are different sizes. (Refer to the *Installation Guide* for details.)

To store instructions in Program Memory, input the instructions through the Programming Console, or download programming data from a FIT, floppy disk, cassette tape, or host computer, or from a File Memory Unit if one is mounted to the CPU Rack. Refer to the end of *Appendix A Standard Models* for information on FIT and other special products. Programming Console operations, including those for program input, are described in *Sections 4* and *7*.

## 3-11 TR (Temporary Relay) Area

The TR area provides eight bits that are used only with the LD and OUT instructions to enable certain types of branching ladder diagram programming. The use of TR bits is described in *Section 4 Writing and Inputting the Program*.

TR addresses range from TR 0 through TR 7. Each of these bits can be used as many times as required and in any order required as long as the same TR bit is not used twice in the same instruction block.

# SECTION 4

## Writing and Inputting the Program

This section explains the basic steps and concepts involved in writing a basic ladder diagram program, inputting the program into memory, and executing it. It introduces the instructions that are used to build the basic structure of the ladder diagram and control its execution. The entire set of instructions used in programming is described in *Section 5 Instruction Set*.

4-1	Basic Procedure	44
4-2	Instruction Terminology	44
4-3	Basic Ladder Diagrams	45
4-3-1	Basic Terms	45
4-3-2	Mnemonic Code	46
4-3-3	Ladder Instructions	47
4-3-4	OUTPUT and OUTPUT NOT	50
4-3-5	The END Instruction	50
4-3-6	Logic Block Instructions	51
4-3-7	Coding Multiple Right-hand Instructions	58
4-4	The Programming Console	58
4-4-1	The Keyboard	59
4-4-2	PC Modes	60
4-4-3	The Display Message Switch	62
4-5	Preparation for Operation	62
4-5-1	Entering the Password	62
4-5-2	Buzzer	63
4-5-3	Clearing Memory	63
4-5-4	Registering the I/O Table	65
4-5-5	Clearing Error Messages	66
4-5-6	Verifying the I/O Table	66
4-5-7	Reading the I/O Table	67
4-5-8	Clearing the I/O Table	69
4-5-9	NET Link Table Transfer	70
4-6	Inputting, Modifying, and Checking the Program	72
4-6-1	Setting and Reading from Program Memory Address	72
4-6-2	Entering and Editing Programs	73
4-6-3	Checking the Program	76
4-6-4	Displaying the Cycle Time	78
4-6-5	Program Searches	79
4-6-6	Inserting and Deleting Instructions	80
4-6-7	Branching Instruction Lines	83
4-6-8	Jumps	87
4-7	Controlling Bit Status	89
4-7-1	DIFFERENTIATE UP and DIFFERENTIATE DOWN	89
4-7-2	KEEP	89
4-7-3	Self-maintaining Bits (Seal)	90
4-8	Work Bits (Internal Relays)	90
4-9	Programming Precautions	92
4-10	Program Execution	94

## 4-1 Basic Procedure

There are several basic steps involved in writing a program. Sheets that can be copied to aid in programming are provided in *Appendix F Word Assignment Recording Sheets* and *Appendix G Program Coding Sheet*.

- 1, 2, 3... 1. Obtain a list of all I/O devices and the I/O points that have been assigned to them and prepare a table that shows the I/O bit allocated to each I/O device.
2. If the PC has any Units that are allocated words in data areas other than the IR area or are allocated IR words in which the function of each bit is specified by the Unit, prepare similar tables to show what words are used for which Units and what function is served by each bit within the words. These Units include Special I/O Units and Link Units.
3. Determine what words are available for work bits and prepare a table in which you can allocate these as you use them.
4. Also prepare tables of TC numbers and jump numbers so that you can allocate these as you use them. Remember, the function of a TC number can be defined only once within the program; jump numbers 01 through 99 can be used only once each. (TC numbers are described in *5-12 Timer and Counter Instructions*; jump numbers are described later in this section.)
5. Draw the ladder diagram.
6. Input the program into the CPU. When using the Programming Console, this will involve converting the program to mnemonic form.
7. Check the program for syntax errors and correct these.
8. Execute the program to check for execution errors and correct these.
9. After the entire Control System has been installed and is ready for use, execute the program and fine tune it if required.
10. Make a backup copy of the program.

The basics of ladder-diagram programming and conversion to mnemonic code are described in *4-3 Basic Ladder Diagrams*. Preparing for and inputting the program via the Programming Console are described in *4-4 The Programming Console* through *4-6 Inputting, Modifying, and Checking the Program*. The rest of *Section 4* covers more advanced programming, programming precautions, and program execution. All special application instructions are covered in *Section 5 Instruction Set*. Debugging is described in *Section 7 Program Monitoring and Execution*. *Section 8 Troubleshooting* also provides information required for debugging.

## 4-2 Instruction Terminology

There are basically two types of instructions used in ladder-diagram programming: instructions that correspond to the conditions on the ladder diagram and are used in instruction form only when converting a program to mnemonic code and instructions that are used on the right side of the ladder diagram and are executed according to the conditions on the instruction lines leading to them.

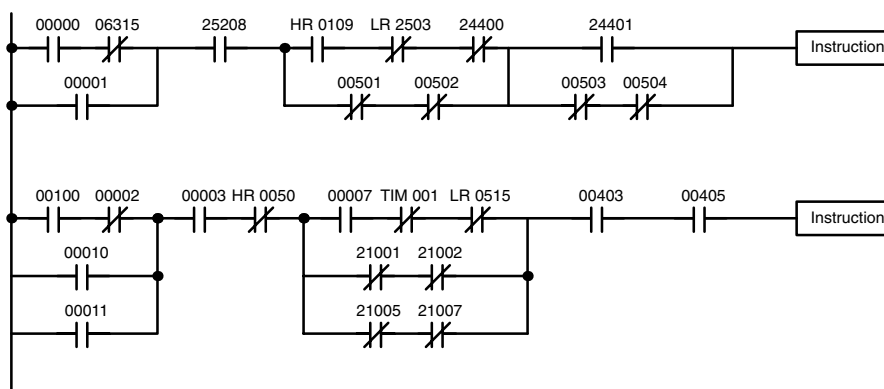
Most instructions have at least one or more operands associated with them. Operands indicate or provide the data on which an instruction is to be performed. These are sometimes input as the actual numeric values, but are usually the addresses of data area words or bits that contain the data to be used. For instance, a MOVE instruction that has IR 000 designated as the source operand will move the contents of IR 000 to some other location. The other location is also designated as an operand. A bit whose address is designated as an operand is called an operand bit; a word whose address is

designated as an operand is called an operand word. If the actual value is entered as a constant, it is preceded by # to indicate that it is not an address.

Other terms used in describing instructions are introduced in *Section 5 Instruction Set*.

## 4-3 Basic Ladder Diagrams

A ladder diagram consists of one line running down the left side with lines branching off to the right. The line on the left is called the bus bar; the branching lines, instruction lines or rungs. Along the instruction lines are placed conditions that lead to other instructions on the right side. The logical combinations of these conditions determine when and how the instructions at the right are executed. A ladder diagram is shown below.



As shown in the diagram above, instruction lines can branch apart and they can join back together. The vertical pairs of lines are called conditions. Conditions without diagonal lines through them are called normally open conditions and correspond to a LOAD, AND, or OR instruction. The conditions with diagonal lines through them are called normally closed conditions and correspond to a LOAD NOT, AND NOT, or OR NOT instruction. The number above each condition indicates the operand bit for the instruction. It is the status of the bit associated with each condition that determines the execution condition for following instructions. The way the operation of each of the instructions corresponds to a condition is described below. Before we consider these, however, there are some basic terms that must be explained.

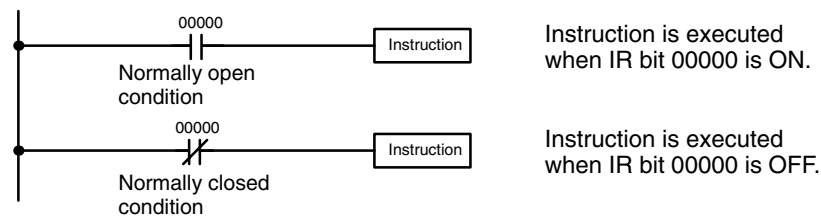
**Note** When displaying ladder diagrams with a GPC, a FIT, or LSS, a second bus bar will be shown on the right side of the ladder diagram and will be connected to all instructions on the right side. This does not change the ladder-diagram program in any functional sense. No conditions can be placed between the instructions on the right side and the right bus bar, i.e., all instructions on the right must be connected directly to the right bus bar. Refer to the *GPC, FIT, or LSS Operation Manual* for details.

### 4-3-1 Basic Terms

#### Normally Open and Normally Closed Conditions

Each condition in a ladder diagram is either ON or OFF depending on the status of the operand bit that has been assigned to it. A normally open condition is ON if the operand bit is ON; OFF if the operand bit is OFF. A normally closed condition is ON if the operand bit is OFF; OFF if the operand bit is ON. Generally speaking, you use a normally open condition when you want

something to happen when a bit is ON, and a normally closed condition when you want something to happen when a bit is OFF.



### Execution Conditions

In ladder diagram programming, the logical combination of ON and OFF conditions before an instruction determines the compound condition under which the instruction is executed. This condition, which is either ON or OFF, is called the execution condition for the instruction. All instructions other than LOAD instructions have execution conditions.

### Operand Bits

The operands designated for any of the ladder instructions can be any bit in the IR, SR, HR, AR, LR, or TC areas. This means that the conditions in a ladder diagram can be determined by I/O bits, flags, work bits, timers/counters, etc. LOAD and OUTPUT instructions can also use TR area bits, but they do so only in special applications. Refer to *4-6-7 Branching Instruction Lines* for details.

### Logic Blocks

The way that conditions correspond to what instructions is determined by the relationship between the conditions within the instruction lines that connect them. Any group of conditions that go together to create a logic result is called a logic block. Although ladder diagrams can be written without actually analyzing individual logic blocks, understanding logic blocks is necessary for efficient programming and is essential when programs are to be input in mnemonic code.

## 4-3-2 Mnemonic Code

The ladder diagram cannot be directly input into the PC via a Programming Console; a GPC, a FIT, or LSS is required. To input from a Programming Console, it is necessary to convert the ladder diagram to mnemonic code. The mnemonic code provides exactly the same information as the ladder diagram, but in a form that can be typed directly into the PC. Actually you can program directly in mnemonic code, although it is not recommended for beginners or for complex programs. Also, regardless of the Programming Device used, the program is stored in memory in mnemonic form, making it important to understand mnemonic code.

Because of the importance of the Programming Console as a peripheral device and because of the importance of mnemonic code in complete understanding of a program, we will introduce and describe the mnemonic code along with the ladder diagram. Remember, you will not need to use the mnemonic code if you are inputting via a GPC, a FIT, or LSS (although you can use it with these devices too, if you prefer).

### Program Memory Structure

The program is input into addresses in Program Memory. Addresses in Program Memory are slightly different to those in other memory areas because each address does not necessarily hold the same amount of data. Rather, each address holds one instruction and all of the definers and operands (described in more detail later) required for that instruction. Because some in-

structions require no operands, while others require up to three operands, Program Memory addresses can be from one to four words long.

Program Memory addresses start at 00000 and run until the capacity of Program Memory has been exhausted. The first word at each address defines the instruction. Any definers used by the instruction are also contained in the first word. Also, if an instruction requires only a single bit operand (with no definer), the bit operand is also programmed on the same line as the instruction. The rest of the words required by an instruction contain the operands that specify what data is to be used. When converting to mnemonic code, all but ladder diagram instructions are written in the same form, one word to a line, just as they appear in the ladder diagram symbols. An example of mnemonic code is shown below. The instructions used in it are described later in the manual.

Address	Instruction	Operands
00000	LD	HR 0001
00001	AND	00001
00002	OR	00002
00003	LD NOT	00100
00004	AND	00101
00005	AND LD	00102
00006	MOV(21)	
		000
		DM 0000
00007	CMP(20)	
		DM 0000
		HR 00
00008	LD	25505
00009	OUT	00501
00010	MOV(21)	
		DM 0000
		DM 0500
00011	DIFU(13)	00502
00012	AND	00005
00013	OUT	00503

The address and instruction columns of the mnemonic code table are filled in for the instruction word only. For all other lines, the left two columns are left blank. If the instruction requires no definer or bit operand, the operand column is left blank for first line. It is a good idea to cross through any blank data column spaces (for all instruction words that do not require data) so that the data column can be quickly scanned to see if any addresses have been left out.

When programming, addresses are automatically displayed and do not have to be input unless for some reason a different location is desired for the instruction. When converting to mnemonic code, it is best to start at Program Memory address 00000 unless there is a specific reason for starting elsewhere.

### 4-3-3 Ladder Instructions

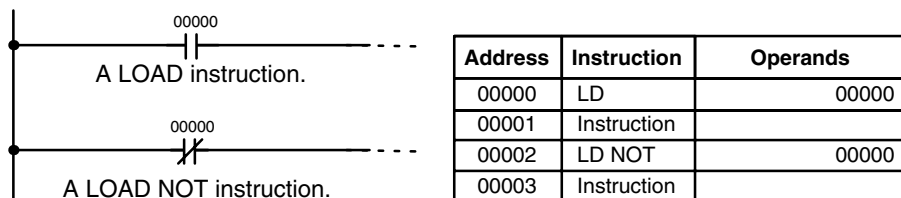
The ladder instructions are those instructions that correspond to the conditions on the ladder diagram. Ladder instructions, either independently or in combination with the logic block instructions described next, form the execution conditions upon which the execution of all other instructions are based.

#### LOAD and LOAD NOT

The first condition that starts any logic block within a ladder diagram corresponds to a LOAD or LOAD NOT instruction. Each of these instruction re-



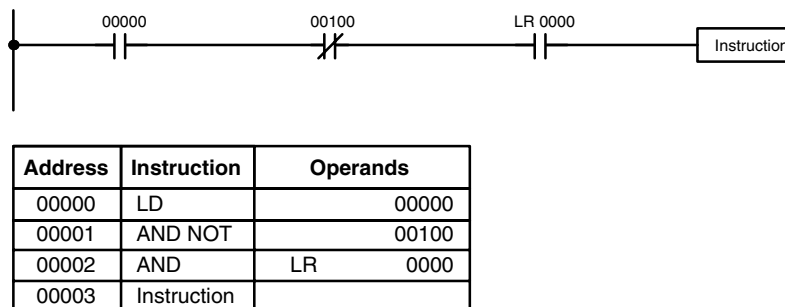
quires one line of mnemonic code. "Instruction" is used as a dummy instruction in the following examples and could be any of the right-hand instructions described later in this manual.



When this is the only condition on the instruction line, the execution condition for the instruction at the right is ON when the condition is ON. For the LOAD instruction (i.e., a normally open condition), the execution condition will be ON when IR 00000 is ON; for the LOAD NOT instruction (i.e., a normally closed condition), it will be ON when 00000 is OFF.

**AND and AND NOT**

When two or more conditions lie in series on the same instruction line, the first one corresponds to a LOAD or LOAD NOT instruction; and the rest of the conditions correspond to AND or AND NOT instructions. The following example shows three conditions which correspond in order from the left to a LOAD, an AND NOT, and an AND instruction. Again, each of these instructions requires one line of mnemonic code.



The instruction will have an ON execution condition only when all three conditions are ON, i.e., when IR 00000 is ON, IR 00100 is OFF, and LR 0000 is ON.

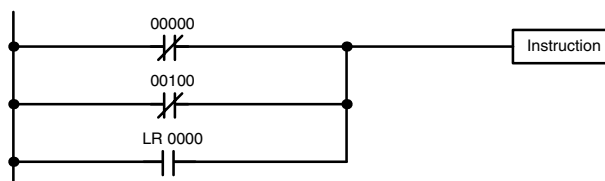
AND instructions in series can be considered individually, with each taking the logical AND of the execution condition (i.e., the total of all conditions up to that point) and the status of the AND instruction's operand bit. If both of these are ON, an ON execution condition will be produced for the next instruction. If either is OFF, the result will also be OFF. The execution condition for the first AND instruction in a series is the first condition on the instruction line.

Each AND NOT instruction in series takes the logical AND of its execution condition and the inverse of its operand bit.

**OR and OR NOT**

When two or more conditions lie on separate instruction lines which run in parallel and then join together, the first condition corresponds to a LOAD or LOAD NOT instruction; the other conditions correspond to OR or OR NOT instructions. The following example shows three conditions which correspond

(in order from the top) to a LOAD NOT, an OR NOT, and an OR instruction. Again, each of these instructions requires one line of mnemonic code.



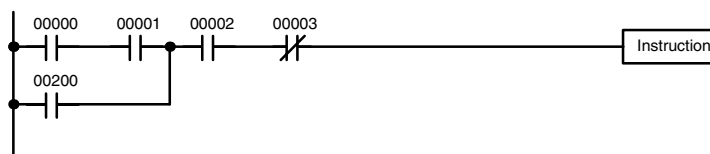
Address	Instruction	Operands
00000	LD	00000
00001	OR NOT	00100
00002	OR	LR 0000
00003	Instruction	

The instruction will have an ON execution condition when any one of the three conditions is ON, i.e., when IR 00000 is OFF, when IR 00100 is OFF, or when LR 0000 is ON.

OR and OR NOT instructions can be considered individually, each taking the logical OR between its execution condition and the status of the OR instruction's operand bit. If either one of these were ON, an ON execution condition will be produced for the next instruction.

**Combining AND and OR Instructions**

When AND and OR instructions are combined in more complicated diagrams, they can sometimes be considered individually, with each instruction performing a logic operation on the execution condition and the status of the operand bit. The following is one example. Study this example until you are convinced that the mnemonic code follows the the same logic flow as the ladder diagram.



Address	Instruction	Operands
00000	LD	00000
00001	AND	00001
00002	OR	00200
00003	AND	00002
00004	AND NOT	00003
00005	Instruction	

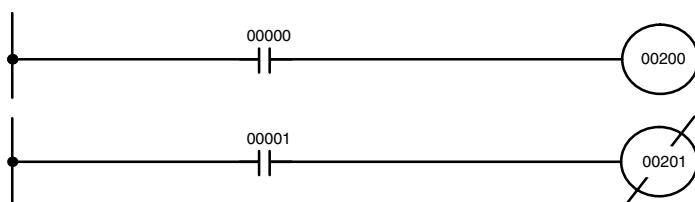
Here, an AND is taken between the status of IR 00000 and that of IR 00001 to determine the execution condition for an OR with the status of IR 00200. The result of this operation determines the execution condition for an AND with the status of IR 00002, which in turn determines the execution condition for an AND with the inverse (i.e., and AND NOT) of the status of IR 00003.

In more complicated diagrams, however, it is necessary to consider logic blocks before an execution condition can be determined for the final instruc-

tion, and that’s where AND LOAD and OR LOAD instructions are used. Before we consider more complicated diagrams, however, we’ll look at the instructions required to complete a simple “input-output” program.

### 4-3-4 OUTPUT and OUTPUT NOT

The simplest way to output the results of combining execution conditions is to output it directly with the OUTPUT and OUTPUT NOT. These instructions are used to control the status of the designated operand bit according to the execution condition. With the OUTPUT instruction, the operand bit will be turned ON as long as the execution condition is ON and will be turned OFF as long as the execution condition is OFF. With the OUTPUT NOT instruction, the operand bit will be turned ON as long as the execution condition is OFF and turned OFF as long as the execution condition is ON. These appear as shown below. In mnemonic code, each of these instructions requires one line.



Address	Instruction	Operands
00000	LD	00000
00001	OUT	00200

Address	Instruction	Operands
00000	LD	00001
00001	OUT NOT	00201

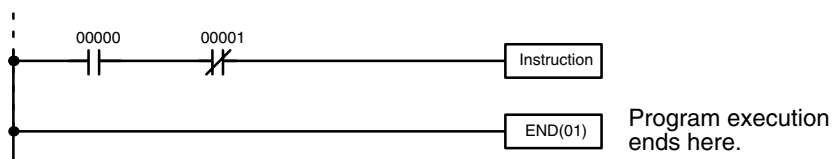
In the above examples, IR 00200 will be ON as long as IR 00000 is ON and IR 00201 will be OFF as long as IR 00001 is ON. Here, IR 00000 and IR 00001 will be input bits and IR 00200 and IR 00201 output bits assigned to the Units controlled by the PC, i.e., the signals coming in through the input points assigned IR 00000 and IR 00001 are controlling the output points assigned IR 00200 and IR 00201, respectively.

The length of time that a bit is ON or OFF can be controlled by combining the OUTPUT or OUTPUT NOT instruction with TIMER instructions. Refer to Examples under 5-12-1 *TIMER – TIM* for details.

### 4-3-5 The END Instruction

The last instruction required to complete a simple program is the END instruction. When the CPU cycles the program, it executes all instruction up to the first END instruction before returning to the beginning of the program and beginning execution again. Although an END instruction can be placed at any point in a program, which is sometimes done when debugging, no instructions past the first END instruction will be executed until it is removed. The number following the END instruction in the mnemonic code is its function code, which is used when inputted most instruction into the PC. These are

described later. The END instruction requires no operands and no conditions can be placed on the same instruction line with it.



Address	Instruction	Operands
00000	LD	00000
00001	AND NOT	00001
00002	Instruction	
00003	END(01)	---

If there is no END instruction anywhere in the program, the program will not be executed at all.

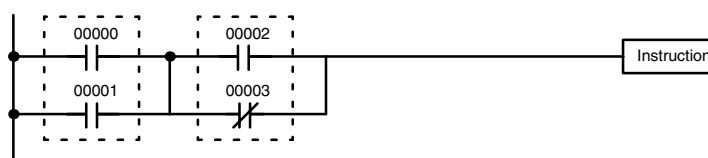
Now you have all of the instructions required to write simple input-output programs. Before we finish with ladder diagram basic and go onto inputting the program into the PC, let's look at logic block instruction (AND LOAD and OR LOAD), which are sometimes necessary even with simple diagrams.

### 4-3-6 Logic Block Instructions

Logic block instructions do not correspond to specific conditions on the ladder diagram; rather, they describe relationships between logic blocks. The AND LOAD instruction logically ANDs the execution conditions produced by two logic blocks. The OR LOAD instruction logically ORs the execution conditions produced by two logic blocks.

#### AND LOAD

Although simple in appearance, the diagram below requires an AND LOAD instruction.



Address	Instruction	Operands
00000	LD	00000
00001	OR	00001
00002	LD	00002
00003	OR NOT	00003
00004	AND LD	---

The two logic blocks are indicated by dotted lines. Studying this example shows that an ON execution condition will be produced when: either of the conditions in the left logic block is ON (i.e., when either IR 00000 or IR 00001 is ON), **and** when either of the conditions in the right logic block is ON (i.e., when either IR 00002 is ON or IR 00003 is OFF).

The above ladder diagram cannot, however, be converted to mnemonic code using AND and OR instructions alone. If an AND between IR 00002 and the results of an OR between IR 00000 and IR 00001 is attempted, the OR NOT between IR 00002 and IR 00003 is lost and the OR NOT ends up being an

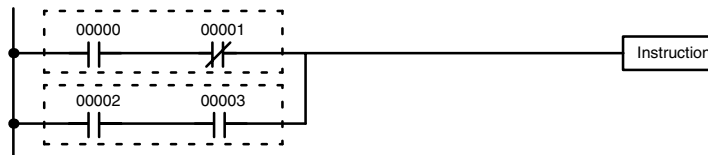
OR NOT between just IR 00003 and the result of an AND between IR 00002 and the first OR. What we need is a way to do the OR (NOT)'s independently and then combine the results.

To do this, we can use the LOAD or LOAD NOT instruction in the middle of an instruction line. When LOAD or LOAD NOT is executed in this way, the current execution condition is saved in a special buffer and the logic process is restarted. To combine the results of the current execution condition with that of a previous "unused" execution condition, an AND LOAD or an OR LOAD instruction is used. Here "LOAD" refers to loading the last unused execution condition. An unused execution condition is produced by using the LOAD or LOAD NOT instruction for any but the first condition on an instruction line.

Analyzing the above ladder diagram in terms of mnemonic instructions, the condition for IR 00000 is a LOAD instruction and the condition below it is an OR instruction between the status of IR 00000 and that of IR 00001. The condition at IR 00002 is another LOAD instruction and the condition below is an OR NOT instruction, i.e., an OR between the status of IR 00002 and the inverse of the status of IR 00003. To arrive at the execution condition for the instruction at the right, the logical AND of the execution conditions resulting from these two blocks will have to be taken. AND LOAD does this. The mnemonic code for the ladder diagram is shown below. The AND LOAD instruction requires no operands of its own, because it operates on previously determined execution conditions. Here too, dashes are used to indicate that no operands needs designated or input.

**OR LOAD**

The following diagram requires an OR LOAD instruction between the top logic block and the bottom logic block. An ON execution condition will be produced for the instruction at the right either when IR 00000 is ON and IR 00001 is OFF, or when IR 00002 and IR 00003 are both ON. The operation of the OR LOAD instruction and its mnemonic code is exactly the same as that for an AND LOAD instruction, except that the current execution condition is **ORed** with the last unused execution condition.



Address	Instruction	Operands
00000	LD	00000
00001	AND NOT	00001
00002	LD	00002
00003	AND	00003
00004	OR LD	---

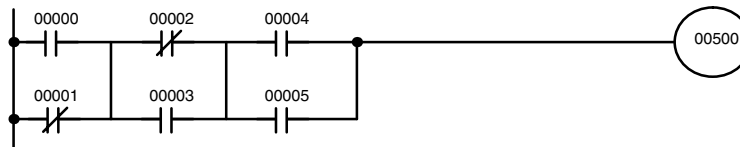
Naturally, some diagrams will require both AND LOAD and OR LOAD instructions.

**Logic Block Instructions in Series**

To code diagrams with logic block instructions in series, the diagram must be divided into logic blocks. Each block is coded using a LOAD instruction to code the first condition, and then AND LOAD or OR LOAD is used to logically combine the blocks. With both AND LOAD and OR LOAD there are two ways to achieve this. One is to code the logic block instruction after the first two blocks and then after each additional block. The other is to code all of the

blocks to be combined, starting each block with LOAD or LOAD NOT, and then to code the logic block instructions which combine them. In this case, the instructions for the last pair of blocks should be combined first, and then each preceding block should be combined, working progressively back to the first block. Although either of these methods will produce exactly the same result, the second method, that of coding all logic block instructions together, can be used only if eight or fewer blocks are being combined, i.e., if seven or fewer logic block instructions are required.

The following diagram requires AND LOAD to be converted to mnemonic code because three pairs of parallel conditions lie in series. The two options for coding the programs are also shown.



Address	Instruction	Operands
00000	LD	00000
00001	OR NOT	00001
00002	LD NOT	00002
00003	OR	00003
00004	AND LD	—
00005	LD	00004
00006	OR	00005
00007	AND LD	—
00008	OUT	00500

Address	Instruction	Operands
00000	LD	00000
00001	OR NOT	00001
00002	LD NOT	00002
00003	OR	00003
00004	LD	00004
00005	OR	00005
00006	AND LD	—
00007	AND LD	—
00008	OUT	00500

Again, with the method on the right, a maximum of eight blocks can be combined. There is no limit to the number of blocks that can be combined with the first method.

The following diagram requires OR LOAD instructions to be converted to mnemonic code because three pairs of series conditions lie in parallel to each other.



The first of each pair of conditions is converted to LOAD with the assigned bit operand and then ANDed with the other condition. The first two blocks can be coded first, followed by OR LOAD, the last block, and another OR LOAD;

or the three blocks can be coded first followed by two OR LOADs. The mnemonic codes for both methods are shown below.

Address	Instruction	Operands
00000	LD	00000
00001	AND NOT	00001
00002	LD NOT	00002
00003	AND NOT	00003
00004	OR LD	—
00005	LD	00004
00006	AND	00005
00007	OR LD	—
00008	OUT	00501

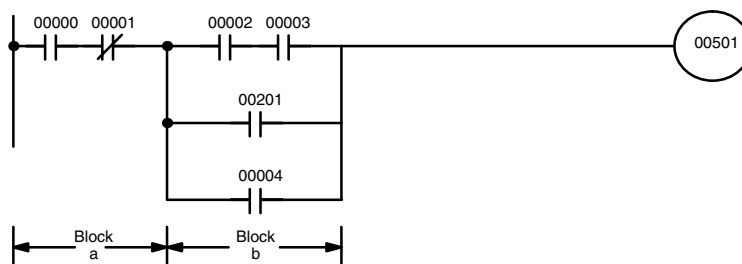
Address	Instruction	Operands
00000	LD	00000
00001	AND NOT	00001
00002	LD NOT	00002
00003	AND NOT	00003
00004	LD	00004
00005	AND	00005
00006	OR LD	—
00007	OR LD	—
00008	OUT	00501

Again, with the method on the right, a maximum of eight blocks can be combined. There is no limit to the number of blocks that can be combined with the first method.

**Combining AND LOAD and OR LOAD**

Both of the coding methods described above can also be used when using AND LOAD and OR LOAD, as long as the number of blocks being combined does not exceed eight.

The following diagram contains only two logic blocks as shown. It is not necessary to further separate block b components, because it can be coded directly using only AND and OR.

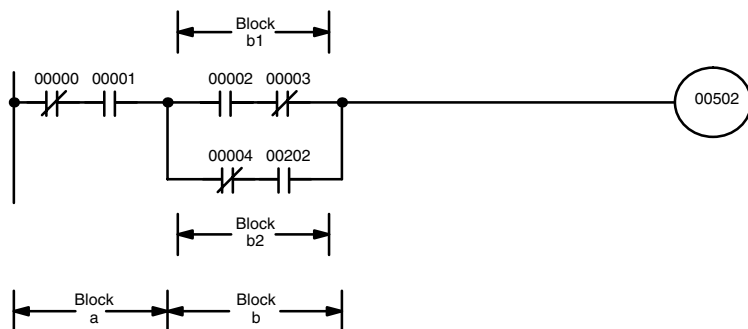


Address	Instruction	Operands
00000	LD	00000
00001	AND NOT	00001
00002	LD	00002
00003	AND	00003
00004	OR	00201
00005	OR	00004
00006	AND LD	—
00007	OUT	00501

Although the following diagram is similar to the one above, block b in the diagram below cannot be coded without separating it into two blocks combined with OR LOAD. In this example, the three blocks have been coded first and then OR LOAD has been used to combine the last two blocks, followed by AND LOAD to combine the execution condition produced by the OR LOAD with the execution condition of block a.

When coding the logic block instructions together at the end of the logic blocks they are combining, they must, as shown below, be coded in reverse order, i.e., the logic block instruction for the last two blocks is coded first, fol-

lowed by the one to combine the execution condition resulting from the first logic block instruction and the execution condition of the logic block third from the end, and on back to the first logic block that is being combined.



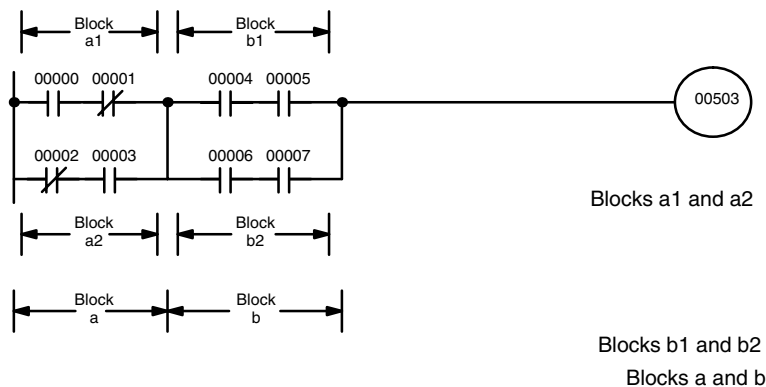
Address	Instruction	Operands
00000	LD NOT	00000
00001	AND	00001
00002	LD	00002
00003	AND NOT	00003
00004	LD NOT	00004
00005	AND	00202
00006	OR LD	—
00007	AND LD	—
00008	OUT	00502

**Complicated Diagrams**

When determining what logic block instructions will be required to code a diagram, it is sometimes necessary to break the diagram into large blocks and then continue breaking the large blocks down until logic blocks that can be coded without logic block instructions have been formed. These blocks are then coded, combining the small blocks first, and then combining the larger blocks. Either AND LOAD or OR LOAD is used to combine the blocks, i.e., AND LOAD or OR LOAD always combines the last two execution conditions that existed, regardless of whether the execution conditions resulted from a single condition, from logic blocks, or from previous logic block instructions.

When working with complicated diagrams, blocks will ultimately be coded starting at the top left and moving down before moving across. This will generally mean that, when there might be a choice, OR LOAD will be coded before AND LOAD.

The following diagram must be broken down into two blocks and each of these then broken into two blocks before it can be coded. As shown below, blocks a and b require an AND LOAD. Before AND LOAD can be used, however, OR LOAD must be used to combine the top and bottom blocks on both sides, i.e., to combine a1 and a2; b1 and b2.

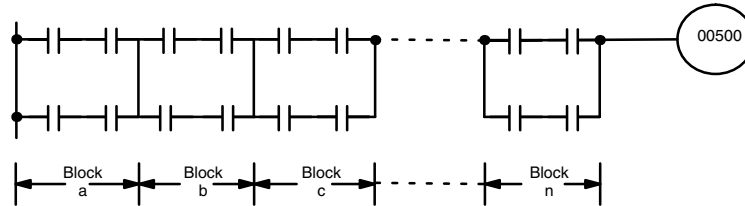


Address	Instruction	Operands
00000	LD	00000
00001	AND NOT	00001
00002	LD NOT	00002
00003	AND	00003
00004	OR LD	—
00005	LD	00004
00006	AND	00005
00007	LD	00006
00008	AND	00007
00009	OR LD	—
00010	AND LD	—
00011	OUT	00503

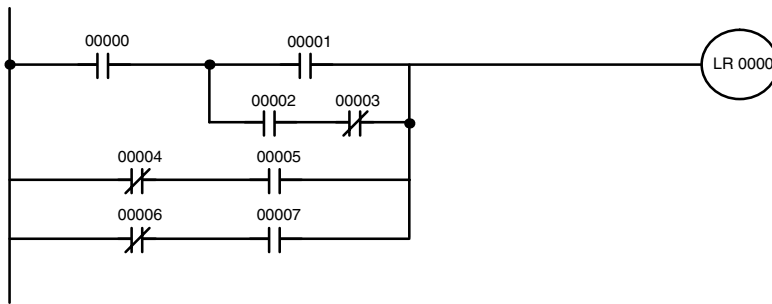
The following type of diagram can be coded easily if each block is coded in order: first top to bottom and then left to right. In the following diagram,



blocks a and b would be combined using AND LOAD as shown above, and then block c would be coded and a second AND LOAD would be used to combine it with the execution condition from the first AND LOAD. Then block d would be coded, a third AND LOAD would be used to combine the execution condition from block d with the execution condition from the second AND LOAD, and so on through to block n.

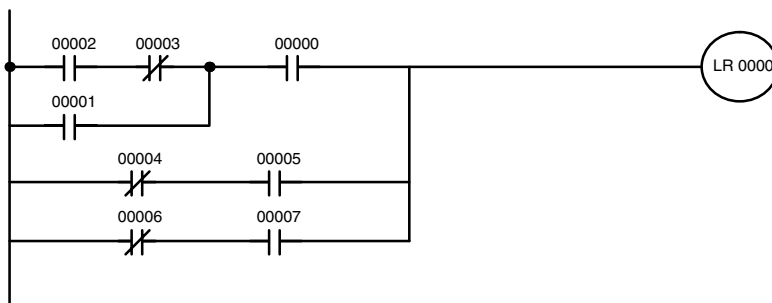


The following diagram requires an OR LOAD followed by an AND LOAD to code the top of the three blocks, and then two more OR LOADS to complete the mnemonic code.



Address	Instruction	Operands
00000	LD	00000
00001	LD	00001
00002	LD	00002
00003	AND NOT	00003
00004	OR LD	--
00005	AND LD	--
00006	LD NOT	00004
00007	AND	00005
00008	OR LD	--
00009	LD NOT	00006
00010	AND	00007
00011	OR LD	--
00012	OUT	LR 0000

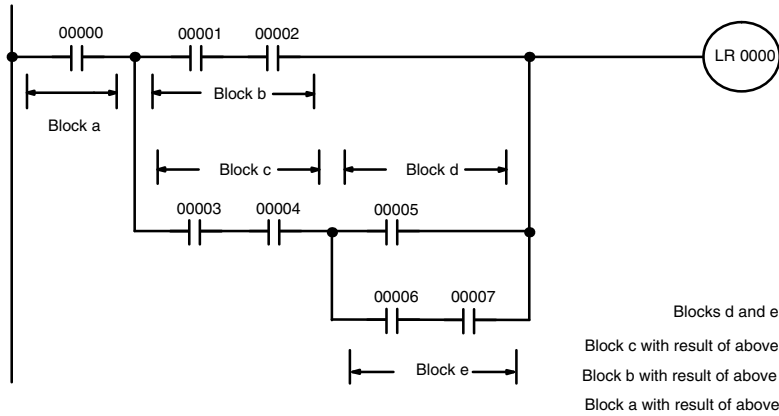
Although the program will execute as written, this diagram could be drawn as shown below to eliminate the need for the first OR LOAD and the AND LOAD, simplifying the program and saving memory space.



Address	Instruction	Operands
00000	LD	00002
00001	AND NOT	00003
00002	OR	00001
00003	AND	00000
00004	LD NOT	00004
00005	AND	00005
00006	OR LD	--
00007	LD NOT	00006
00008	AND	00007
00009	OR LD	--
00010	OUT	LR 0000

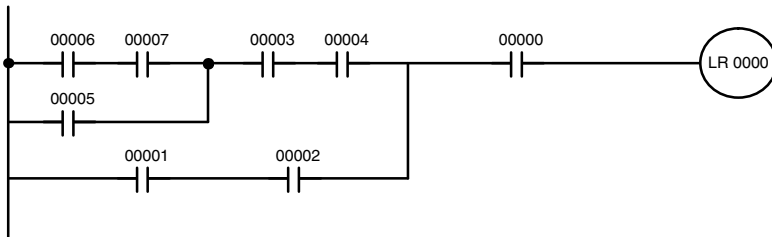
The following diagram requires five blocks, which here are coded in order before using OR LOAD and AND LOAD to combine them starting from the

last two blocks and working backward. The OR LOAD at program address 00008 combines blocks blocks d and e, the following AND LOAD combines the resulting execution condition with that of block c, etc.



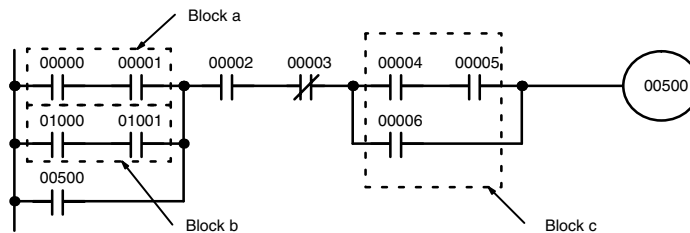
Address	Instruction	Operands
00000	LD	00000
00001	LD	00001
00002	AND	00002
00003	LD	00003
00004	AND	00004
00005	LD	00005
00006	LD	00006
00007	AND	00007
00008	OR LD	--
00009	AND LD	--
00010	OR LD	--
00011	AND LD	--
00012	OUT	LR 0000

Again, this diagram can be redrawn as follows to simplify program structure and coding and to save memory space.



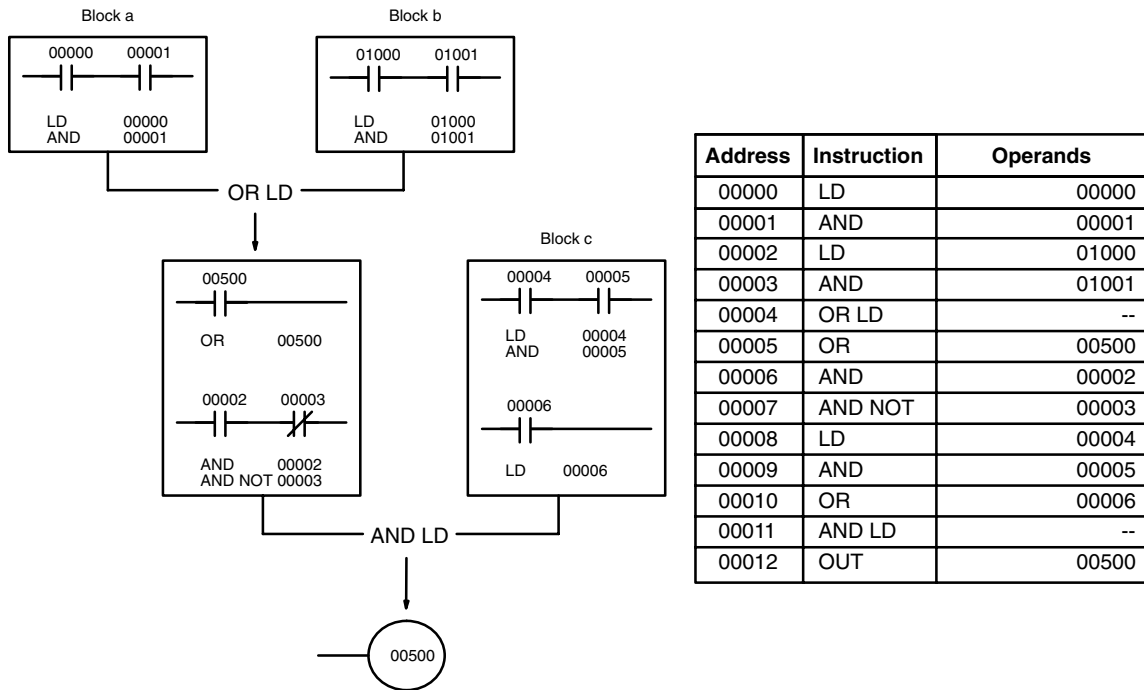
Address	Instruction	Operands
00000	LD	00006
00001	AND	00007
00002	OR	00005
00003	AND	00003
00004	AND	00004
00005	LD	00001
00006	AND	00002
00007	OR LD	--
00008	AND	00000
00009	OUT	LR 0000

The next and final example may at first appear very complicated but can be coded using only two logic block instructions. The diagram appears as follows:



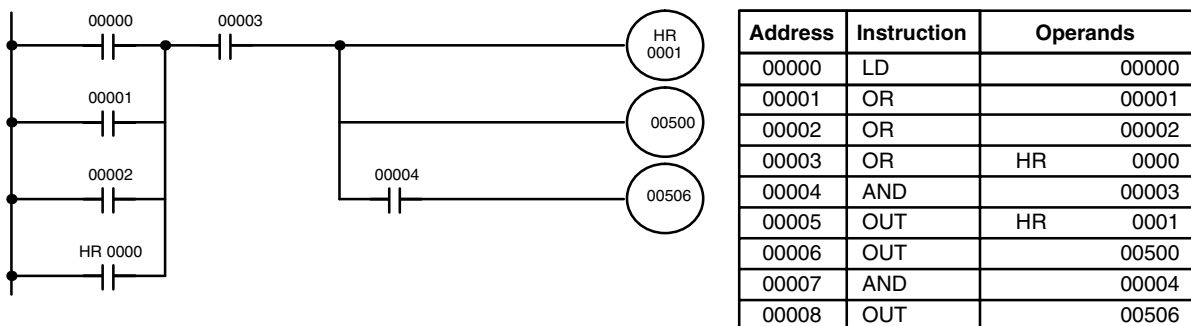
The first logic block instruction is used to combine the execution conditions resulting from blocks a and b, and the second one is to combine the execu-

tion condition of block c with the execution condition resulting from the normally closed condition assigned IR 00003. The rest of the diagram can be coded with OR, AND, and AND NOT instructions. The logical flow for this and the resulting code are shown below.



### 4-3-7 Coding Multiple Right-hand Instructions

If there is more than one right-hand instruction executed with the same execution condition, they are coded consecutively following the last condition on the instruction line. In the following example, the last instruction line contains one more condition that corresponds to an AND with IR 00004.



## 4-4 The Programming Console

Once a program has been written, it must be input into the PC. This can be done in graphic (ladder diagram) form using a GPC, a FIT, or LSS. The most common way of inputting a program, however, is through a Programming Console using mnemonic code. This and the next section describe the Pro-

programming Console and the operation necessary to prepare for program input. *4-6 Inputting, Modifying, and Checking the Program* describes actual procedures for inputting the program into memory.

Depending on the model of Programming Console used, it is either connected to the CPU via a Programming Console Adapter and Connecting Cable or it is mounted directly to the CPU.

## 4-4-1 The Keyboard

The keyboard of the Programming Console is functionally divided by key color into the following four areas:

### **White: Numeric Keys**

The ten white keys are used to input numeric program data such as program addresses, data area addresses, and operand values. The numeric keys are also used in combination with the function key (FUN) to enter instructions with function codes.

### **Red: CLR Key**

The CLR key clears the display and cancels current Programming Console operations. It is also used when you key in the password at the beginning of programming operations. Any Programming Console operation can be cancelled by pressing the CLR key, although the CLR key may have to be pressed two or three times to cancel the operation and clear the display.




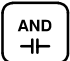








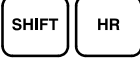




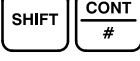

### **Yellow: Operation Keys**

The yellow keys are used for writing and correcting programs. Detailed explanations of their functions are given later in this section.

### **Gray: Instruction and Data Area Keys**

Except for the SHIFT key on the upper right, the gray keys are used to input instructions and designate data area prefixes when inputting or changing a program. The SHIFT key is similar to the shift key of a typewriter, and is used to alter the function of the next key pressed. (It is not necessary to hold the SHIFT key down; just press it once and then press the key to be used with it.)

The gray keys other than the SHIFT key have either the mnemonic name of the instruction or the abbreviation of the data area written on them. The functions of these keys are described below.

	Pressed before the function code when inputting an instruction via its function code.
	Pressed to enter SFT (the Shift Register instruction).
	Input either after a function code to designate the differentiated form of an instruction or after a ladder instruction to designate an inverse condition.
	Pressed to enter AND (the AND instruction) or used with NOT to enter AND NOT.
	Pressed to enter OR (the OR instruction) or used with NOT to enter OR NOT.
	Pressed to enter CNT (the Counter instruction) or to designate a TC number that has already been defined as a counter.
	Pressed to enter LD (the Load instruction) or used with NOT to enter LD NOT. Also pressed to indicate an input bit.
	Pressed to enter OUT (the Output instruction) or used with NOT to enter OUT NOT. Also pressed to indicate an output bit.
	Pressed to enter TIM (the Timer instruction) or to designate a TC number that has already been defined as a timer.
	Pressed before designating an address in the TR area.
	Pressed before designating an address in the LR area.
	Pressed before designating an address in the HR area.
	Pressed before designating an address in the AR area.
	Pressed before designating an address in the DM area.
	Pressed before designating an indirect DM address.
	Pressed before designating a word address.
	Pressed before designating an operand as a constant.
	Pressed before designating a bit address.
	Pressed before function codes for block programming instructions, i.e., those placed between pointed parentheses <>.

### 4-4-2 PC Modes

The Programming Console is equipped with a switch to control the PC mode. To select one of the three operating modes—RUN, MONITOR, or PROGRAM—use the mode switch. The mode that you select will determine PC

operation as well as the procedures that are possible from the Programming Console.

RUN mode is the mode used for normal program execution. When the switch is set to RUN and the START input on the CPU Power Supply Unit is ON, the CPU will begin executing the program according to the program written in its Program Memory. Although monitoring PC operation from the Programming Console is possible in RUN mode, no data in any of the memory areas can be input or changed.

MONITOR mode allows you to visually monitor in-progress program execution while controlling I/O status, changing PV (present values) or SV (set values), etc. In MONITOR mode, I/O processing is handled in the same way as in RUN mode. MONITOR mode is generally used for trial system operation and final program adjustments.

In PROGRAM mode, the PC does not execute the program. PROGRAM mode is for creating and changing programs, clearing memory areas, and registering and changing the I/O table. A special Debug operation is also available within PROGRAM mode that enables checking a program for correct execution before trial operation of the system.

The CPU11-E also has a TERMINAL mode which allows the display of a 32-character message, as well as operation of the keyboard mapping function. To enter TERMINAL mode, press the CHG key or execute the TERMINAL Mode Change instruction (TERM(48)).

**DANGER!** Do not leave the Programming Console connected to the PC by an extension cable when in RUN mode. Noise picked up by the extension cable can enter the PC, affecting the program and thus the controlled system.

### Mode Changes

When the PC is turned on, the mode it will be in is affected by any peripheral device connected or mounted to the CPU, as follows:

- 1, 2, 3...** 1. No Peripheral Device Connected  
When power is applied to the PC without a Peripheral Device connected, the PC is automatically set to RUN mode. Program execution is then controlled through the CPU Power Supply Unit's START terminal.
2. Programming Console Connected  
If the Programming Console is connected to the PC when PC power is applied, the PC is set to the mode set on the Programming Console's mode switch.
3. Other Peripheral Connected  
If a Peripheral Interface Unit, a PROM Writer, a Printer Interface Unit, or a Floppy Disk Interface Unit is attached to the PC when PC power is turned on, the mode the PC will enter is determined by the setting of the Initial Mode Setting on the Memory Unit. If the initial mode switch is set to OFF, the PC is automatically set to PROGRAM mode. If the initial mode switch is set to ON, the PC will automatically enter RUN mode.

If the PC power supply is already turned on when a Peripheral Device is attached to the PC, the PC will stay in the same mode it was in before the peripheral device was attached. The mode can be changed with the mode switch on the Programming Console once the password has been entered. If it is necessary to have the PC in PROGRAM mode, (for the PROM Writer, Floppy Disk Interface Unit, etc.), be sure to select this mode before connecting the peripheral device; or, alternatively, apply power to the PC after the peripheral device is connected.

The mode will not change when a peripheral device is removed from the PC after PC power is turned on.

**DANGER!** Always confirm that the Programming Console is in PROGRAM mode when turning on the PC with a Programming Console connected unless another mode is desired for a specific purpose. If the Programming Console is in RUN mode when PC power is turned on, any program in Program Memory will be executed, possibly causing a PC-controlled system to begin operation. If the START input on the CPU Power Supply Unit is ON and there is no device connected to the CPU, ensure that commencing operation is safe and appropriate before turning on the PC.

### 4-4-3 The Display Message Switch

Next to the external connector for peripheral devices on the PC there is a small switch for selecting either Japanese or English language messages for display on the Programming Console. It is factory set to OFF, which causes English language messages to be displayed.

## 4-5 Preparation for Operation

This section describes the procedures required to begin Programming Console operation. These include password entry, clearing memory, error message clearing, and I/O table operations. I/O table operations are also necessary at other times, e.g., when changes are to be made in Units used in the PC configuration.

The following sequence of operations must be performed before beginning initial program input.

- 1, 2, 3... 1. Confirm that all wiring for the PC has been installed and checked properly.
2. Confirm that a RAM Unit is mounted as the Memory Unit and that the write-protect switch is OFF.
3. Connect the Programming Console to the PC. Make sure that the Programming Console is securely connected or mounted to the CPU; improper connection may inhibit operation.
4. Set the mode switch to PROGRAM mode.
5. Turn on PC power.
6. Enter the password.\*
7. Clear memory.
8. Register the I/O table.
9. Check the I/O table until the I/O table and system configuration are correct and in agreement.

\*Unlike the C500 and C1000H PCs, it is not necessary to register the I/O table. Register the I/O table if you want an error alarm to be given when I/O Units are added, removed, or interchanged with a different type.

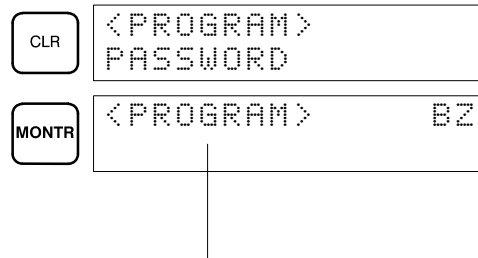
Each of these operations from entering the password on is described in detail in the following subsections. All operations should be done in PROGRAM mode unless otherwise noted.

### 4-5-1 Entering the Password

To gain access to the PC's programming functions, you must first enter the password. The password prevents unauthorized access to the program.

The PC prompts you for a password when PC power is turned on or, if PC power is already on, after the Programming Console has been connected to the PC. To gain access to the system when the "Password!" message appears, press CLR and then MONTR. Then press CLR to clear the display.

If the Programming Console is connected to the PC when PC power is already on, the first display below will indicate the mode the PC was in before the Programming Console was connected. **Ensure that the PC is in PROGRAM mode before you enter the password.** When the password is entered, the PC will shift to the mode set on the mode switch, causing PC operation to begin if the mode is set to RUN or MONITOR. The mode can be changed to RUN or MONITOR with the mode switch after entering the password.



Indicates the mode set by the mode selector switch.

## 4-5-2 Buzzer

Immediately after the password is input or anytime immediately after the mode has been changed, SHIFT and then the 1 key can be pressed to turn on and off the buzzer that sounds when Programming Console keys are pressed. If BZ is displayed in the upper right corner, the buzzer is operative. If BZ is not displayed, the buzzer is not operative.

This buzzer also will also sound whenever an error occurs during PC operation. Buzzer operation for errors is not affected by the above setting.

## 4-5-3 Clearing Memory

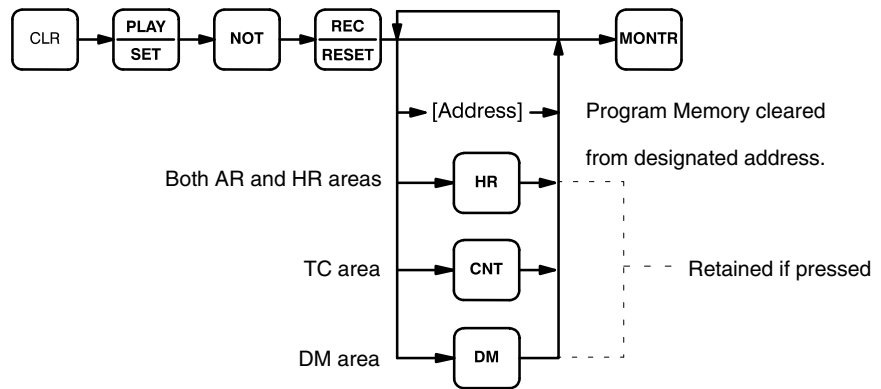
Using the Memory Clear operation it is possible to clear all or part of the Program Memory, and the IR, HR, AR, DM and TC areas. Unless otherwise specified, the clear operation will clear all of the above memory areas, provided that the Memory Unit attached to the PC is a RAM Unit or an EEPROM Unit and the write-enable switch is ON. If the write-enable switch is OFF or the Memory Unit is an EPROM Unit, Program Memory cannot be cleared.

Before beginning to programming for the first time or when installing a new program, all areas should normally be cleared. Before clearing memory, check to see if a program is already loaded that you need. If you need the program, clear only the memory areas that you do not need, and be sure to check the existing program with the program check key sequence before using it. The check sequence is provided later in this section. Further debugging methods are provided in *Section 7 Program Monitoring and Execution*. To clear all memory areas press CLR until all zeros are displayed, and then input the keystrokes given in the top line of the following key sequence. The branch lines shown in the sequence are used only when performing a partial memory clear, which is described below.

Memory can be cleared in PROGRAM mode only.

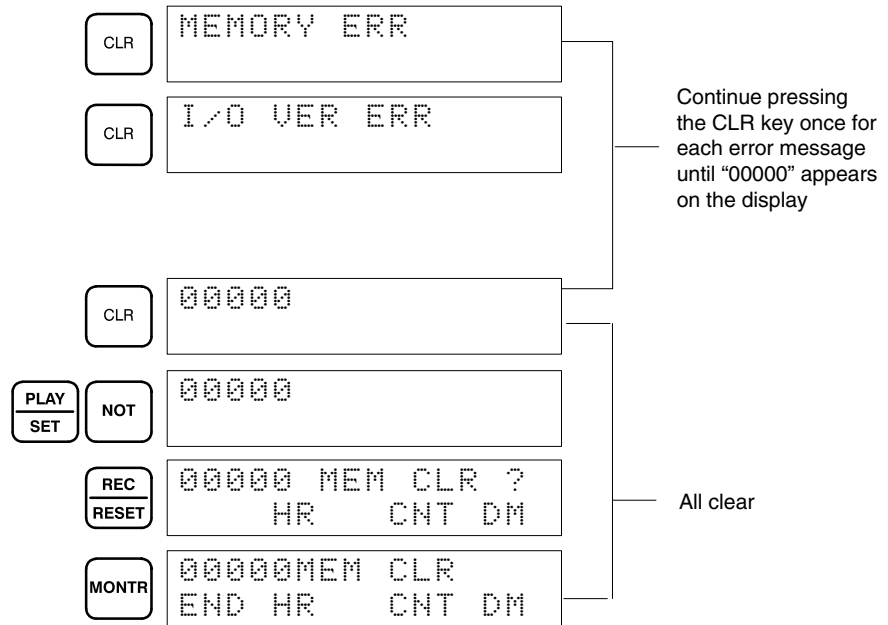


Key Sequence



All Clear

The following procedure is used to clear memory completely.

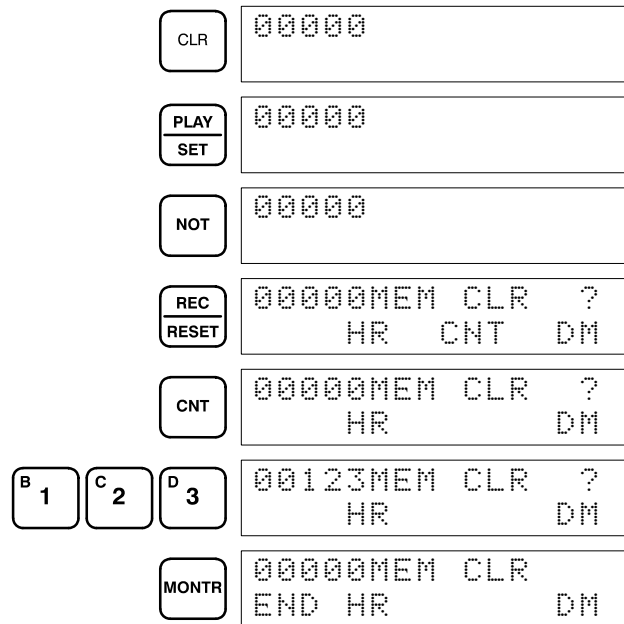


Partial Clear

It is possible to retain the data in specified areas or part of the Program Memory. To retain the data in the HR and AR, TC, and/or DM areas, press the appropriate key after entering REC/RESET. HR is pressed to designate both the HR and AR areas. In other words, specifying that HR is to be retained will ensure that AR is retained also. If not specified for retention, both areas will be cleared. CNT is used for the entire TC area. The display will show those areas that will be cleared.

It is also possible to retain a portion of the Program Memory from the beginning to a specified address. After designating the data areas to be retained, specify the first Program Memory address to be cleared. For example, to leave addresses 00000 to 00122 untouched, but to clear addresses from 00123 to the end of Program Memory, input 00123.

To leave the TC area uncleared and retaining Program Memory addresses 00000 through 00122, input as follows:



### 4-5-4 Registering the I/O Table

The I/O Table Registration operation writes the types of I/O Units controlled by the PC and the Rack locations of the I/O Units into the I/O table memory area of the CPU (see *Section 3-3 IR Area*). It also clears all I/O bits. The I/O table must be registered before programming operations are begun. As the I/O table remains in memory, a new I/O table must also be registered whenever I/O Units are changed.

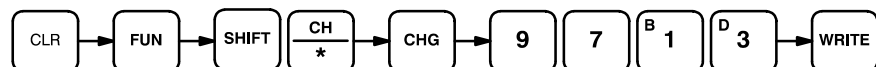
Unlike the C500H and C1000H PCs, C200H memory is allocated to slots in the CPU and Extension I/O Racks, so it is not necessary to register the I/O table. Register the I/O table if you want an error to occur when I/O Units have been added, removed, or replaced with another type.

I/O Table Registration can be performed only in PROGRAM mode.

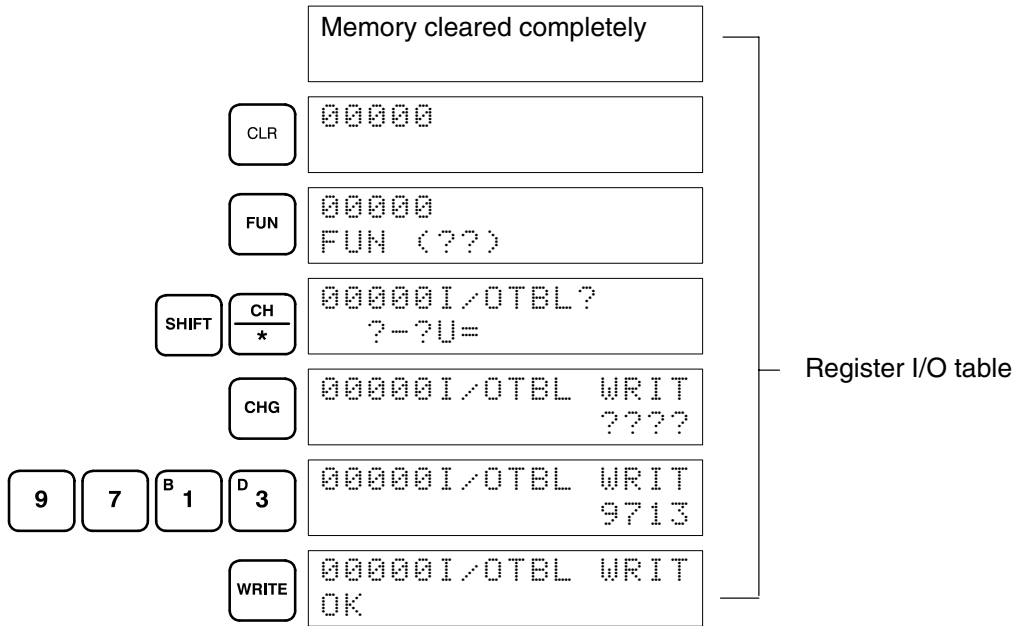
The I/O verification error message, "I/O VER ERR", will appear when starting programming operations or after I/O Units have been changed. This error is cleared by registering a new I/O table.

When the I/O table has not been registered, the PC will operate according to the I/O Units mounted when power is applied. The I/O verification error will not occur.

#### Key Sequence



Initial I/O Table Registration



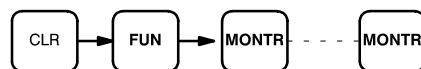
4-5-5 Clearing Error Messages

After the I/O table has been registered, any error messages recorded in memory should be cleared. It is assumed here that the causes of any of the errors for which error messages appear have already been taken care of. If the beeper sounds when an attempt is made to clear an error message, eliminate the cause of the error, and then clear the error message (refer to *Section 8 Troubleshooting*).

To display any recorded error messages, press CLR, FUN, and then MONTR. The first message will appear. Pressing MONTR again will clear the present message and display the next error message. Continue pressing MONTR until all messages have been cleared.

Although error messages can be accessed in any mode, they can be cleared only in PROGRAM mode.

Key Sequence



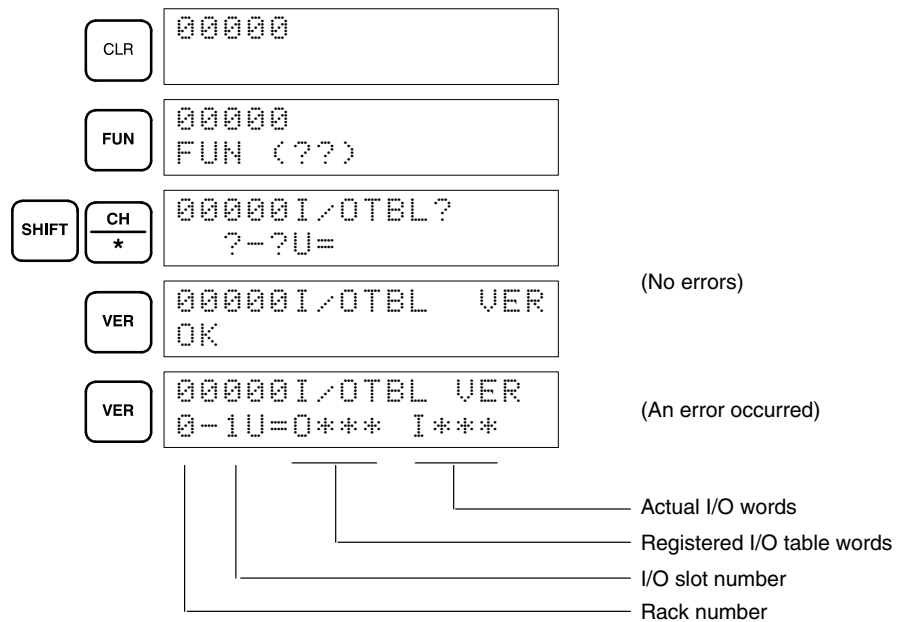
4-5-6 Verifying the I/O Table

The I/O Table Verification operation is used to check the I/O table registered in memory to see if it matches the actual sequence of I/O Units mounted. The first inconsistency discovered will be displayed as shown below. Every subsequent pressing of **VER** displays the next inconsistency.

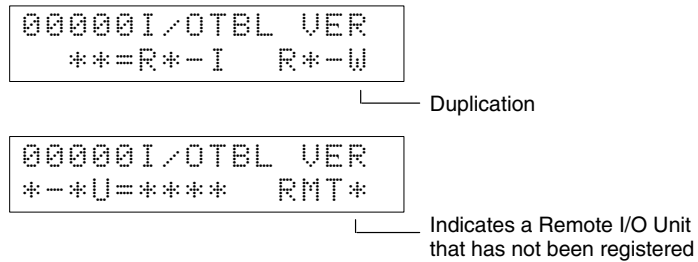
Key Sequence



Example



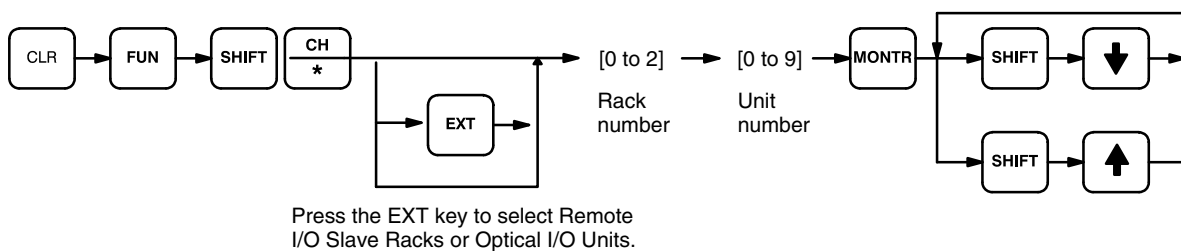
Meaning of Displays



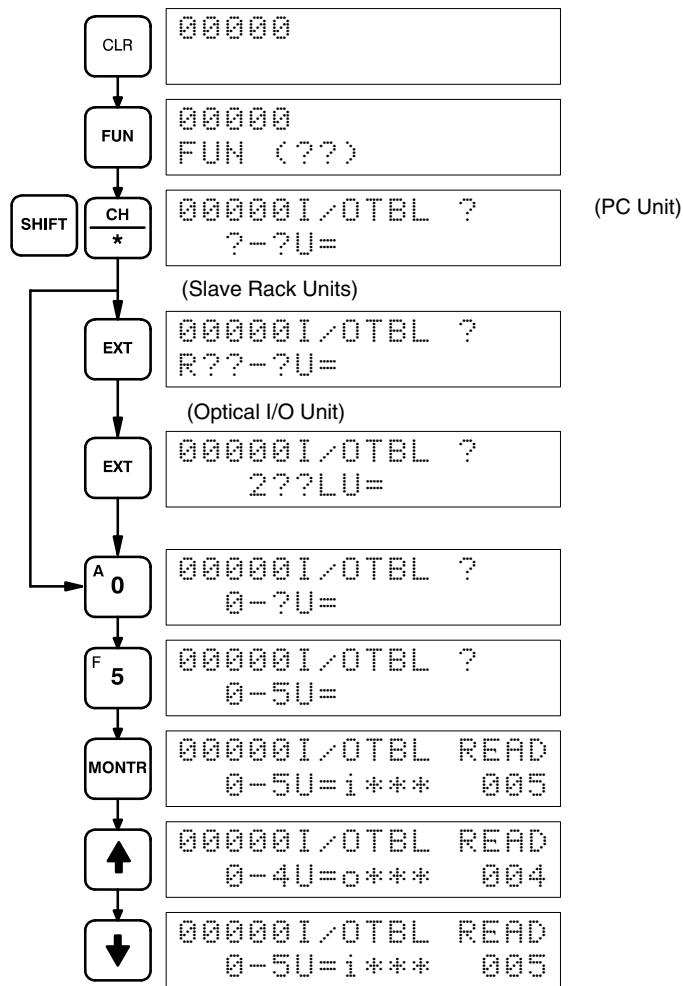
4-5-7 Reading the I/O Table

The I/O Table Read operation is used to access the I/O table that is currently registered in the CPU memory.

Key Sequence



Example



Meaning of Displays:

I/O Unit Designations for Displays (see I/O Units Mounted in Remote Slave Racks, next page)

C500, 1000H/C2000H I/O Units

No. of points	Input Unit	Output Unit
16	I * * *	0 * * *
32	I I * *	0 0 * *
64	I I I I	0 0 0 0

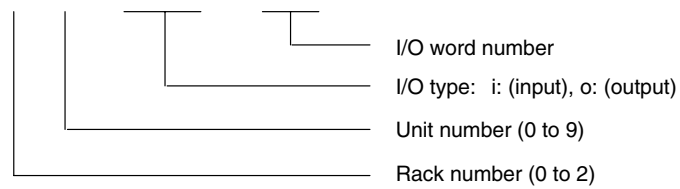
C200H I/O Units

No. of points	Input Unit	Output Unit
8	i(*)* *	o * * *
16	i i * *	o o * *

Note: (\*) is i for non-fatal errors or F\_

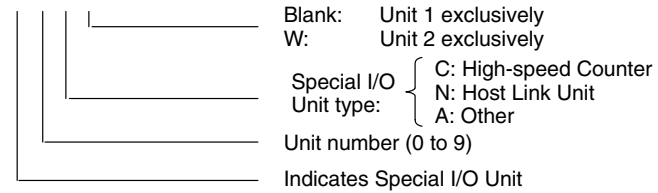
**I/O Units**

```
000000I/OTBL READ
*-U=****  ***
```



**Special I/O Units**

```
000000I/OTBL READ
*-U=$****
```



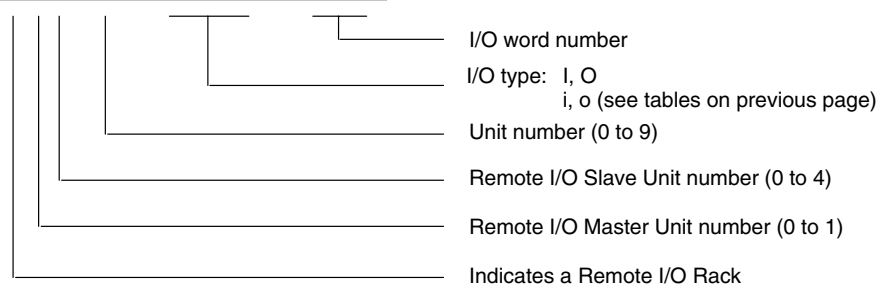
**Remote I/O Master Units**

```
000000I/OTBL READ
*-U=RMT*
```



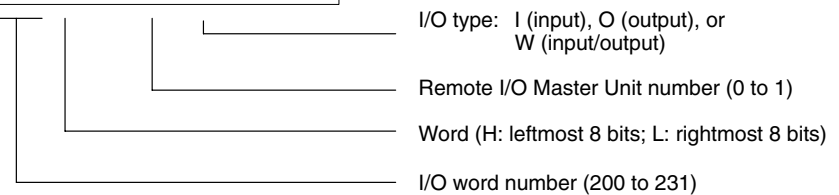
**Remote I/O Slave Racks**

```
000000I/OTBL READ
R**-*U=****  ***
```



**Optical I/O Units and Remote Terminals**

```
000000I/OTBL READ
2**HU=R*-*
```



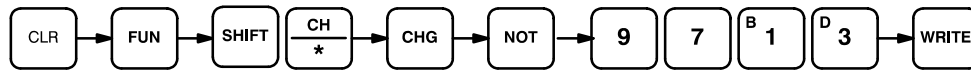
**4-5-8 Clearing the I/O Table**

The I/O Table Clear operation is used to delete the contents of the I/O table that is currently registered in the CPU memory. The PC will be set for opera-

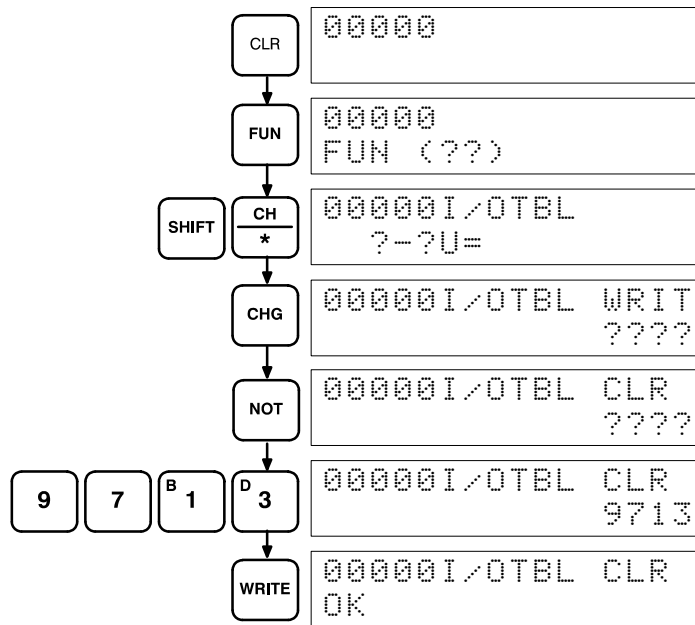
tion based on the I/O Units mounted when the I/O Table Clear operation is performed.

The I/O Table Clear operation will reset all Special I/O Units and Link Units mounted at the time. Do not perform the I/O Table Clear operation when a Host or PC Link Unit, Remote I/O Master Unit, High-speed Counter Unit, Position Control Unit, or other Special I/O Unit is in operation.

**Key Sequence**



**Example**



**4-5-9 NET Link Table Transfer**

The NET Link Table Transfer operation transfers a copy of the SYSMAC NET Link Data Link table to RAM or EEPROM program memory. This allows the user program and NET Link table to be written into EPROM together. This operation is applicable to the CPU11-E only.

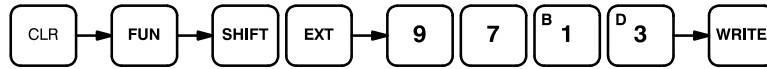
**Note** When power is applied to a PC which has a copy of a NET Link table stored in its program memory, the NET Link table of the CPU will be overwritten. Changes made in the NET Link table do not affect the copy of the NET Link table in program memory; NET Link Table Transfer must be repeated to change the copy in program memory.

The NET Link Table Transfer operation will not work if:

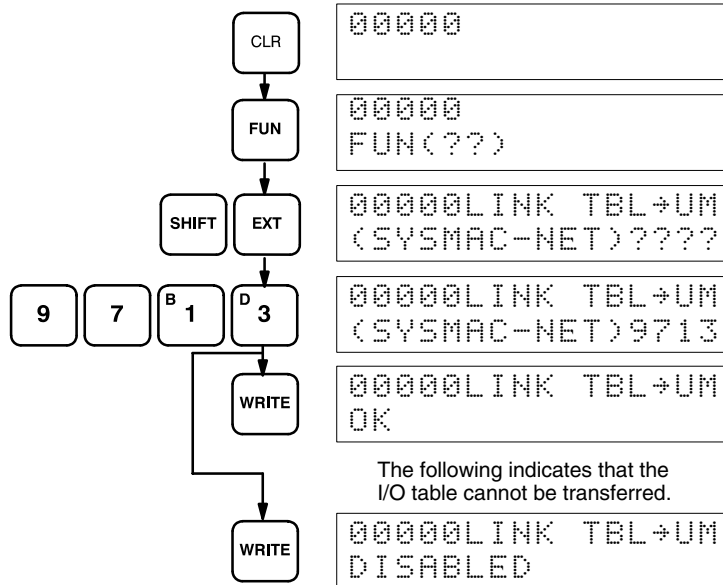
1. The Memory Unit is not RAM or EEPROM, or the write protect switch is not set to write.
2. There isn't an END(01) instruction.
3. The contents of program memory exceeds 2.3K words with a 4K memory, or 6.4K words with an 8K memory. (To find the size of the contents of program memory, do an instruction search for END(01).)

NET Link table transfer can only be done in PROGRAM mode.

Key Sequence



Example





## 4-6 Inputting, Modifying, and Checking the Program

Once a program is written in mnemonic code, it can be input directly into the PC from a Programming Console. Mnemonic code is keyed into Program Memory addresses from the Programming Console. Checking the program involves a syntax check to see that the program has been written according to syntax rules. Once syntax errors are corrected, a trial execution can begin and, finally, correction under actual operating conditions can be made.

The operations required to input a program are explained below. Operations to modify programs that already exist in memory are also provided in this section, as well as the procedure to obtain the current cycle time.

Before starting to input a program, check to see whether there is a program already loaded. If there is a program loaded that you do not need, clear it first using the program memory clear key sequence, then input the new program. If you need the previous program, be sure to check it with the program check key sequence and correct it as required. Further debugging methods are provided in *Section 7 Program Monitoring and Execution*.

### 4-6-1 Setting and Reading from Program Memory Address

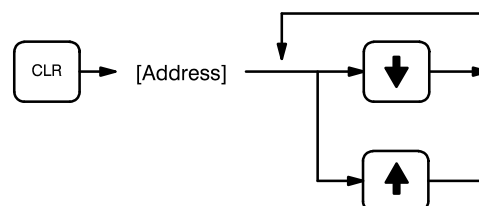
When inputting a program for the first time, it is generally written to Program Memory starting from address 00000. Because this address appears when the display is cleared, it is not necessary to specify it.

When inputting a program starting from other than 00000 or to read or modify a program that already exists in memory, the desired address must be designated. To designate an address, press CLR and then input the desired address. Leading zeros of the address need not be input, i.e., when specifying an address such as 00053 you need to enter only 53. The contents of the designated address will not be displayed until the down key is pressed.

Once the down key has been pressed to display the contents of the designated address, the up and down keys can be used to scroll through Program Memory. Each time one of these keys is pressed, the next or previous word in Program Memory will be displayed.

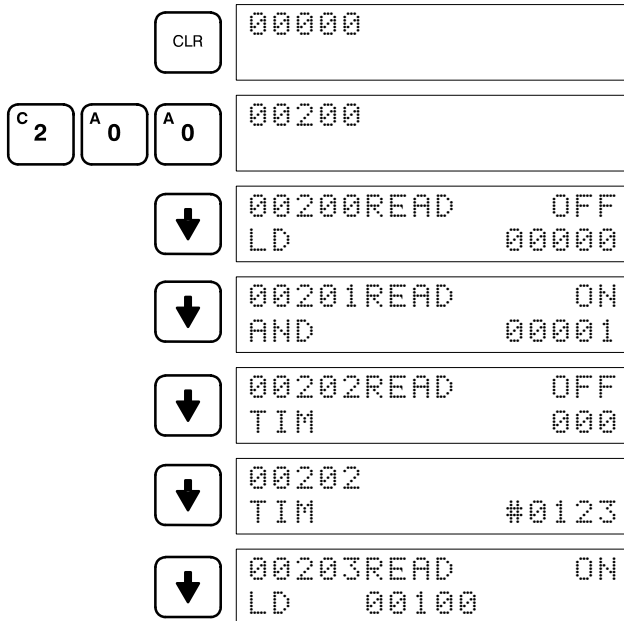
If Program Memory is read in RUN or MONITOR mode, the ON/OFF status of any displayed bit will also be shown.

#### Key Sequence



**Example**

If the following mnemonic code has already been input into Program Memory, the key inputs below would produce the displays shown.



Address	Instruction	Operands
00200	LD	00000
00201	AND	00001
00202	TIM	000
		# 0123
00203	LD	00100

### 4-6-2 Entering and Editing Programs

Programs can be entered and edited only in PROGRAM mode.

The same procedure is used to either input a program for the first time or to edit a program that already exists. In either case, the current contents of Program Memory is overwritten, i.e., if there is no previous program, the NOP(00) instruction, which will be written at every address, will be overwritten.

To enter a program, input the mnemonic code that was produced from the ladder diagram step-by-step, ensuring that the correct address is set before starting. Once the correct address is displayed, enter the first instruction word and press WRITE. Next, enter the required operands, pressing WRITE after each, i.e., WRITE is pressed at the end of each line of the mnemonic code. When WRITE is pressed at the end of each line, the designated instruction or operand is entered and the next display will appear. If the instruction requires two or more words, the next display will indicate the next operand required and provide a default value for it. If the instruction requires only one word, the next address will be displayed. Continue inputting each line of the mnemonic code until the entire program has been entered.

When inputting numeric values for operands, it is not necessary to input leading zeros. Leading zeros are required only when inputting function codes (see below). When designating operands, be sure to designate the data area for all but IR and SR addresses by pressing the corresponding data area key, and to designate each constant by pressing CONT/#. CONT/# is not required for counter or timer SVs (see below). The AR area is designated by pressing SHIFT and then HR. TC numbers as bit operands (i.e., completion flags) are designated by pressing either TIM or CNT before the address, depending on whether the TC number has been used to define a timer or a counter. To designate an indirect DM address, press CH/- before the address (pressing DM is not necessary for an indirect DM address).

**Inputting SV for Counters and Timers**

The SV (set value) for a timer or counter is generally entered as a constant, although inputting the address of a word that holds the SV is also possible. When inputting an SV as a constant, CONT/# is not required; just input the numeric value and press WRITE. To designate a word, press CLR and then input the word address as described above.

**Designating Instructions**

The most basic instructions are input using the Programming Console keys provided for them. All other instructions are entered using function codes. These function codes are always written after the instruction's mnemonic. If no function code is given, there should be a Programming Console key for that instruction.

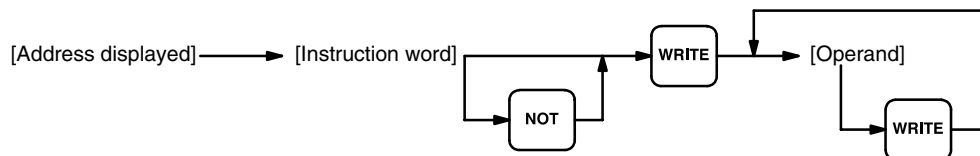
There are two types of function codes: those for normal instructions and those for block instructions. Function codes for block instructions are always written between pointed parentheses <like this>. Both types of function codes are used in basically the same way, but SHIFT must be pressed before inputting a block instruction function code.

To designate the differentiated form of an instruction, press NOT after the function code.

To input an instruction using a function code, set the address, press FUN, press SHIFT if a block instruction is being entered, input the function code including any leading zeros, press NOT if the differentiated form of the instruction is desired, input any bit operands or definers required for the instruction, and then press WRITE.

**Caution** Enter function codes with care and be sure to press SHIFT when required.

**Key Sequence**



**Example**

The following program can be entered using the key inputs shown below. Displays will appear as indicated.

	CLR	000000
C 2	A 0	A 0
		002000
	LD HI	C 2
		002000 LD 000002
	WRITE	002001READ NOP (00)
	TIM	002001 TIM 000
	WRITE	002001 TIM DATA #0000
B 1	C 2	D 3
		002001 TIM #0123
	WRITE	002002READ NOP (00)
	FUN	002002 FUN (??)
B 1	F 5	
		002002 TIMH (15) 001
	WRITE	002002 TIMH DATA #0000
F 5	A 0	A 0
		002002 TIMH #0500
	WRITE	002003READ NOP (00)

Address	Instruction	Operands
00200	LD	00002
00201	TIM	000
		# 0123
00202	TIMH(15)	001
		# 0500

**Error Messages**

The following error messages may appear when inputting a program. Correct the error as indicated and continue with the input operation. The asterisks in

the displays shown below will be replaced with numeric data, normally an address, in the actual display.

Message	Cause and correction
****REPL ROM	An attempt was made to write to ROM, or to write-protected RAM or EEPROM. Ensure that a RAM or EEPROM Unit is mounted and that its write-protect switch is set to OFF.
****PROG OVER	The instruction at the last address in memory is not NOP(00). Erase all unnecessary instructions at the end of the program or use a larger Memory Unit.
****ADDR OVER	An address was set that is larger than the highest memory in Program Memory. Input a smaller address
****SETDATA ERR	Data has been input in the wrong format or beyond defined limits, e.g., a hexadecimal value has been input for BCD. Re-enter the data. This error will generate a FALS 00 error.
****I/O NO. ERR	A data area address has been designated that exceeds the limit of the data area, e.g., an address is too large. Confirm the requirements for the instruction and re-enter the address.

### 4-6-3 Checking the Program

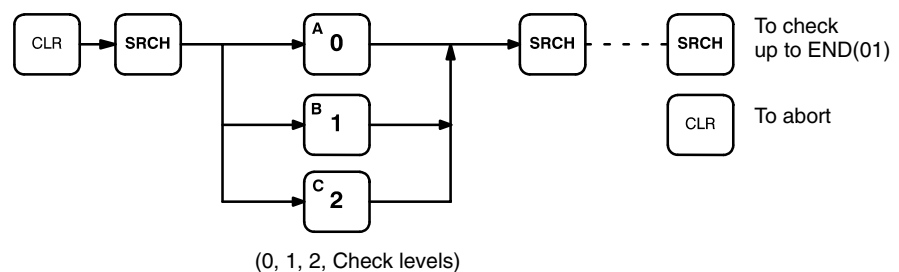
Once a program has been entered, the syntax should be checked to verify that no programming rules have been violated. This check should also be performed if the program has been changed in any way that might create a syntax error.

To check the program, input the key sequence shown below. The numbers indicate the desired check level (see below). When the check level is entered, the program check will start. If an error is discovered, the check will stop and a display indicating the error will appear. Press SRCH to continue the check. If an error is not found, the program will be checked through to the first END(01), with a display indicating when each 64 instructions have been checked (e.g., display #1 of the example after the following table).

CLR can be pressed to cancel the check after it has been started, and a display like display #2, in the example, will appear. When the check has reached the first END, a display like display #3 will appear.

A syntax check can be performed on a program only in PROGRAM mode.

#### Key Sequence



#### Check Levels and Error Messages

Three levels of program checking are available. The desired level must be designated to indicate the type of errors that are to be detected. The following table provides the error types, displays, and explanations of all syntax errors. Check level 0 checks for type A, B, and C errors; check level 1, for type A and B errors; and check level 2, for type A errors only.

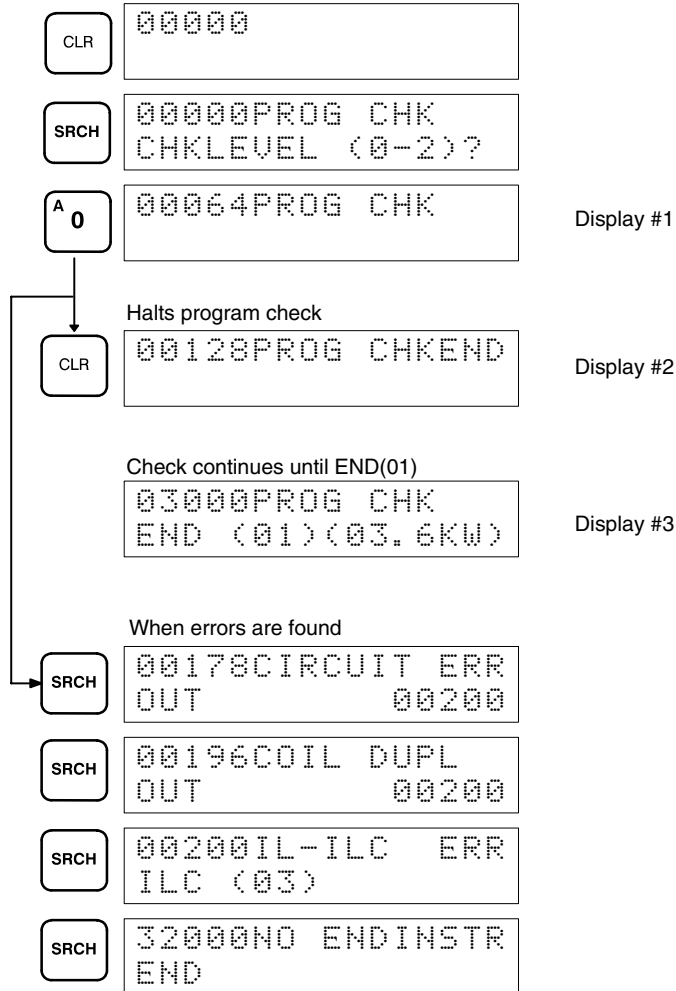
The address where the error was generated will also be displayed.

Many of the following errors are for instructions that have not yet been described yet. Refer to *4-7 Controlling Bit Status* or to *Section 5 Instruction Set* for details on these.

Type	Message	Meaning and appropriate response
Type A	?????	The program has been lost. Re-enter the program.
	NO END INSTR	There is no END(01) in the program. Write END(01) at the final address in the program.
	CIRCUIT ERR	The number of logic blocks and logic block instructions does not agree, i.e., either LD or LD NOT has been used to start a logic block whose execution condition has not been used by another instruction, or a logic block instruction has been used that does not have the required number of logic blocks. Check your program.
	LOCN ERR	An instruction is in the wrong place in the program. Check instruction requirements and correct the program.
	DUPL	The same jump number, block number, or subroutine number has been used twice. Correct the program so that the same number is only used once for each. (Jump number 00 may be used as often as required.)
	SBN UNDEFD	SBS(91) has been programmed for a subroutine number that does not exist. Correct the subroutine number or program the required subroutine.
	JME UNDEFD	A JME(04) is missing for a JMP(05). Correct the jump number or insert the proper JME(04).
	OPERAND ERR	A constant entered for the instruction is not within defined values. Change the constant so that it lies within the proper range.
	STEP ERR	STEP(08) with a section number and STEP(08) without a section number have been used correctly. Check STEP(08) programming requirements and correct the program.
Type B	IL-ILC ERR	IL(02) and ILC(03) are not used in pairs. Correct the program so that each IL(02) has a unique ILC(03). Although this error message will appear if more than one IL(02) is used with the same ILC(03), the program will be executed as written. Make sure your program is written as desired before proceeding.
	JMP-JME ERR	JMP(04) 00 and JME(05) 00 are not used in pairs. Although this error message will appear if more than one JMP(04) 00 is used with the same JME(05) 00, the program will be executed as written. Make sure your program is written as desired before proceeding.
	SBN-RET ERR	If the displayed address is that of SBN(92), two different subroutines have been defined with the same subroutine number. Change one of the subroutine numbers or delete one of the subroutines. If the displayed address is that of RET(93), RET(93) has not been used properly. Check requirements for RET(93) and correct the program.
Type C	JMP UNDEFD	JME(05) has been used with no JMP(04) with the same jump number. Add a JMP(04) with the same number or delete the JME(05) that is not being used.
	SBS UNDEFD	A subroutine exists that is not called by SBS(91). Program a subroutine call in the proper place, or delete the subroutine if it is not required.
	COIL DUPL	The same bit is being controlled (i.e., turned ON and/or OFF) by more than one instruction (e.g., OUT, OUT NOT, DIFU(13), DIFD(14), KEEP(11), SFT(10), SET<07>). Although this is allowed for certain instructions, check instruction requirements to confirm that the program is correct or rewrite the program so that each bit is controlled by only one instruction.

**Example**

The following example shows some of the displays that can appear as a result of a program check.

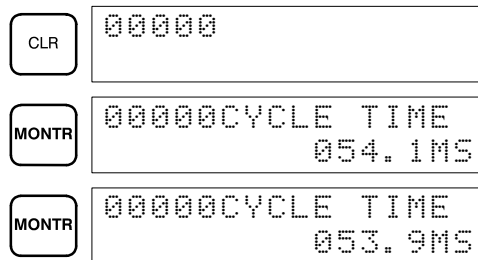


### 4-6-4 Displaying the Cycle Time

Once the program has been cleared of syntax errors, the cycle time should be checked. This is possible only in RUN or MONITOR mode while the program is being executed. See *Section 6 Program Execution Timing* for details on the cycle time.

To display the current average cycle time, press CLR then MONTR. The time displayed by this operation is a typical cycle time. The differences in displayed values depend on the execution conditions that exist when MONTR is pressed.

Example



### 4-6-5 Program Searches

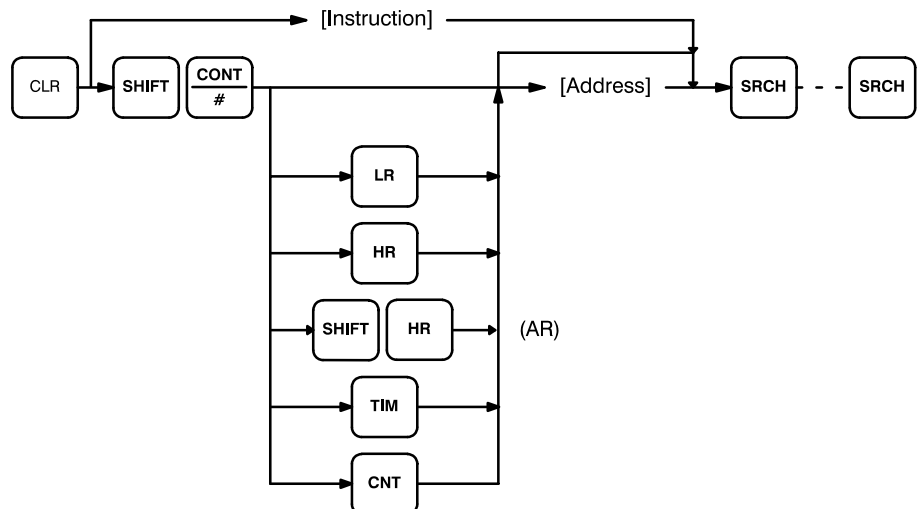
The program can be searched for occurrences of any designated instruction or data area address used in an instruction. Searches can be performed from any currently displayed address or from a cleared display.

To designate a bit address, press SHIFT, press CONT/#, then input the address, including any data area designation required, and press SRCH. To designate an instruction, input the instruction just as when inputting the program and press SRCH. Once an occurrence of an instruction or bit address has been found, any additional occurrences of the same instruction or bit can be found by pressing SRCH again. SRCH'G will be displayed while a search is in progress.

When the first word of a multiword instruction is displayed for a search operation, the other words of the instruction can be displayed by pressing the down key before continuing the search.

If Program Memory is read in RUN or MONITOR mode, the ON/OFF status of any bit displayed will also be shown.

#### Key Sequence





**Example:  
Instruction Search**

CLR	00000
LD H-	00000 LD 00000
SRCH	00200SRCH LD 00000
SRCH	00202 LD 00000
SRCH	06000SRCH END (01)(06.4KW)

CLR	00000
B 1 A 0 A 0	00100
TIM B 1	00100 TIM 001
SRCH	00203SRCH TIM 001
↓	00203 TIM DATA #0123

**Example:  
Bit Search**

CLR	00000
SHIFT CONT # F 5	00000CONT SRCH CONT 00005
SRCH	00200CONT SRCH LD 00005
SRCH	00203CONT SRCH AND 00005
SRCH	06000 END (01)(06.4K)

### 4-6-6 Inserting and Deleting Instructions

In PROGRAM mode, any instruction that is currently displayed can be deleted or another instruction can be inserted before it. These are not possible in RUN or MONITOR modes.

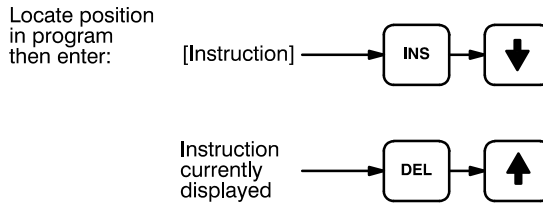
To insert an instruction, display the instruction before which you want the new instruction to be placed, input the instruction word in the same way as when inputting a program initially, and then press INS and the down key. If other

words are required for the instruction, input these in the same way as when inputting the program initially.

To delete an instruction, display the instruction word of the instruction to be deleted and then press DEL and the up key. All the words for the designated instruction will be deleted.

**Caution** Be careful not to inadvertently delete instructions; there is no way to recover them without reinputting them completely.

**Key Sequences**



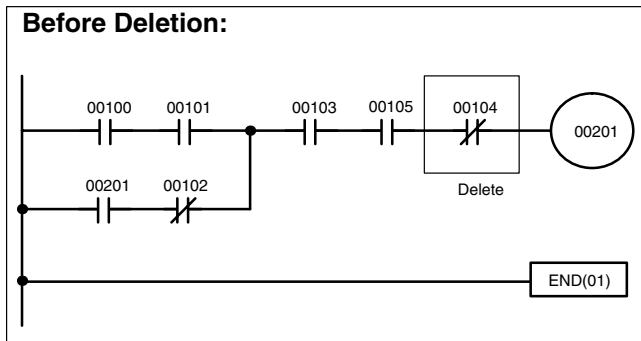
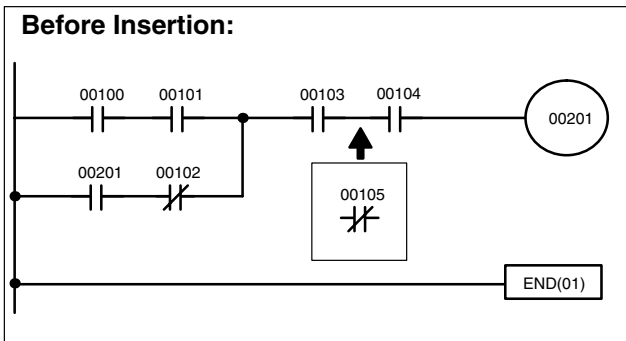
When an instruction is inserted or deleted, all addresses in Program Memory following the operation are adjusted automatically so that there are no blank addresses or no unaddressed instructions.

**Example**

The following mnemonic code shows the changes that are achieved in a program through the key sequences and displays shown below.

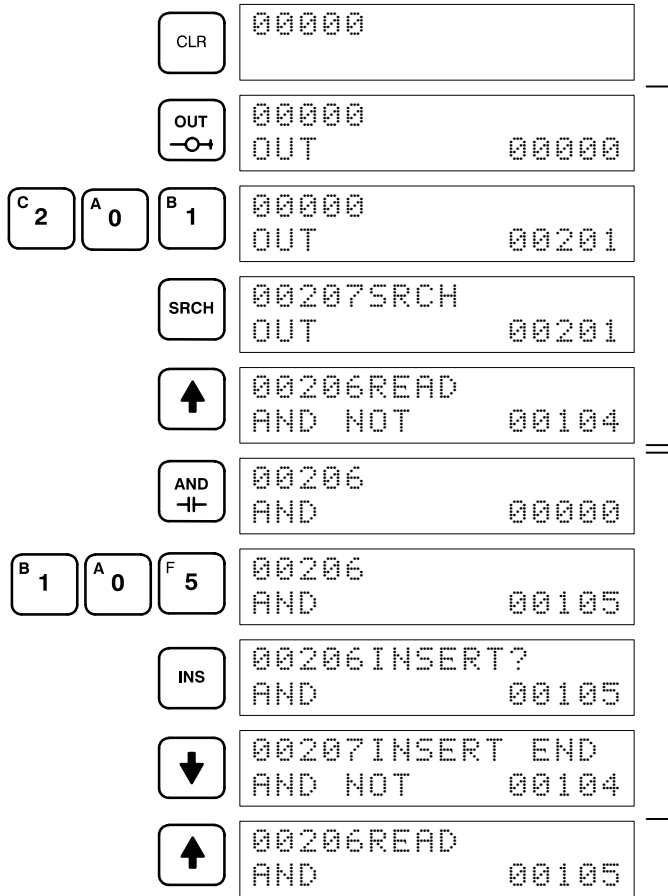
**Original Program**

Address	Instruction	Operands
00000	LD	00100
00001	AND	00101
00002	LD	00201
00003	AND NOT	00102
00004	OR LD	-
00005	AND	00103
00006	AND NOT	00104
00007	OUT	00201
00008	END(01)	-



The following key inputs and displays show the procedure for achieving the program changes shown above.

Inserting an Instruction



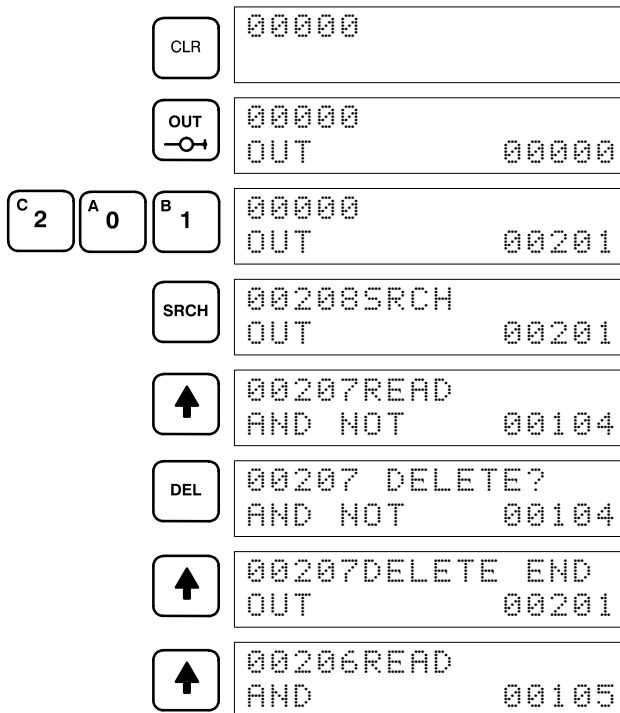
Find the address prior to the insertion point

Program After Insertion

Address	Instruction	Operands
00000	LD	00100
00001	AND	00101
00002	LD	00201
00003	AND NOT	00102
00004	OR LD	-
00005	AND	00103
00006	AND	00105
00007	AND NOT	00104
00008	OUT	00201
00009	END(01)	-

Insert the instruction

Deleting an Instruction



Find the instruction that requires deletion.

Program After Deletion

Address	Instruction	Operands
00000	LD	00100
00001	AND NOT	00101
00002	LD	00201
00003	AND NOT	00102
00004	OR LD	-
00005	AND	00103
00006	AND	00105
00007	AND NOT	00104
00008	OUT	00201

Confirm that this is the instruction to be deleted.

### 4-6-7 Branching Instruction Lines

When an instruction line branches into two or more lines, it is sometimes necessary to use either interlocks or TR bits to maintain the execution condition that existed at a branching point. This is because instruction lines are executed across to a right-hand instruction before returning to the branching point to execute instructions on a branch line. If a condition exists on any of the instruction lines after the branching point, the execution condition could change during this time making proper execution impossible. The following diagrams illustrate this. In both diagrams, instruction 1 is executed before returning to the branching point and moving on to the branch line leading to instruction 2.

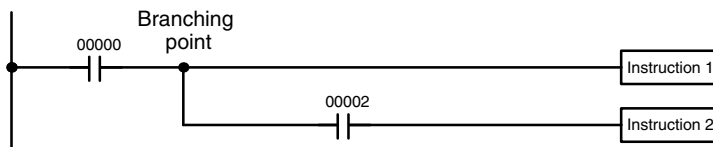


Diagram A: Correct Operation

Address	Instruction	Operands
00000	LD	00000
00001	Instruction 1	
00002	AND	00002
00003	Instruction 2	

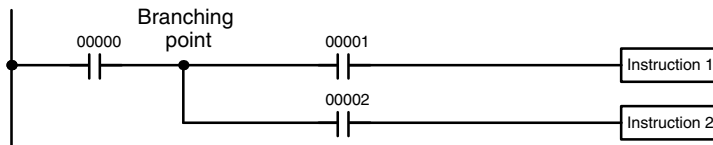


Diagram B: Incorrect Operation

Address	Instruction	Operands
00000	LD	00000
00001	AND	00001
00002	Instruction 1	
00003	AND	00002
00004	Instruction 2	

If, as shown in diagram A, the execution condition that existed at the branching point cannot be changed before returning to the branch line (instructions at the far right do not change the execution condition), then the branch line will be executed correctly and no special programming measure is required.

If, as shown in diagram B, a condition exists between the branching point and the last instruction on the top instruction line, the execution condition at the branching point and the execution condition after completing the top instruction line will sometimes be different, making it impossible to ensure correct execution of the branch line.

There are two means of programming branching programs to preserve the execution condition. One is to use TR bits; the other, to use interlocks (IL(02)/IL(03)).

#### TR Bits

The TR area provides eight bits, TR 0 through TR 7, that can be used to temporarily preserve execution conditions. If a TR bit is placed at a branching point, the current execution condition will be stored at the designated TR bit. When returning to the branching point, the TR bit restores the execution status that was saved when the branching point was first reached in program execution.

The previous diagram B can be written as shown below to ensure correct execution. In mnemonic code, the execution condition is stored at the branching point using the TR bit as the operand of the OUTPUT instruction.

This execution condition is then restored after executing the right-hand instruction by using the same TR bit as the operand of a LOAD instruction

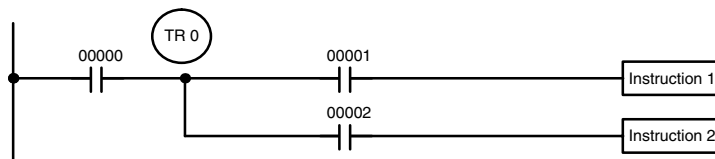
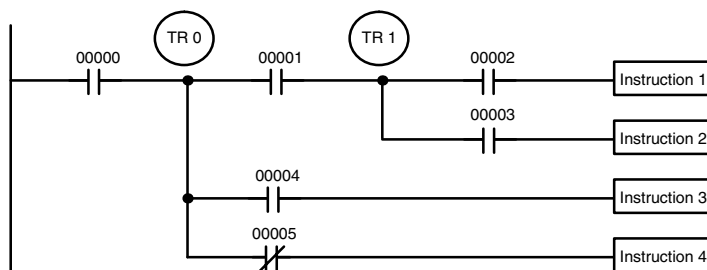


Diagram B: Corrected Using a TR bit

Address	Instruction	Operands
00000	LD	00000
00001	OUT	TR 0
00002	AND	00001
00003	Instruction 1	
00004	LD	TR 0
00005	AND	00002
00006	Instruction 2	

In terms of actual instructions the above diagram would be as follows: The status of IR 00000 is loaded (a LOAD instruction) to establish the initial execution condition. This execution condition is then output using an OUTPUT instruction to TR 0 to store the execution condition at the branching point. The execution condition is then ANDed with the status of IR 00001 and instruction 1 is executed accordingly. The execution condition that was stored at the branching point is then re-loaded (a LOAD instruction with TR 0 as the operand), this is ANDed with the status of IR 00002, and instruction 2 is executed accordingly.

The following example shows an application using two TR bits.



Address	Instruction	Operands
00000	LD	00000
00001	OUT	TR 0
00002	AND	00001
00003	OUT	TR 1
00004	AND	00002
00005	OUT	00500
00006	LD	TR 1
00007	AND	00003
00008	OUT	00501
00009	LD	TR 0
00010	AND	00004
00011	OUT	00502
00012	LD	TR 0
00013	AND NOT	00005
00014	OUT	00503

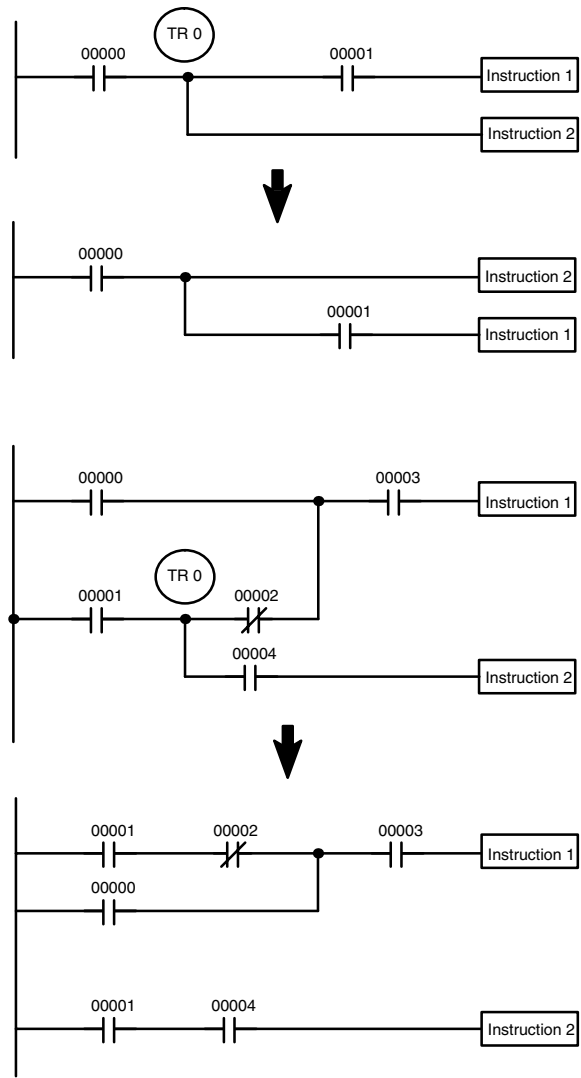
In this example, TR 0 and TR 1 are used to store the execution conditions at the branching points. After executing instruction 1, the execution condition stored in TR 1 is loaded for an AND with the status IR 00003. The execution condition stored in TR 0 is loaded twice, the first time for an AND with the status of IR 00004 and the second time for an AND with the inverse of the status of IR 00005.

TR bits can be used as many times as required as long as the same TR bit is not used more than once in the same instruction block. Here, a new instruction block is begun each time execution returns to the bus bar. If, in a single instruction block, it is necessary to have more than eight branching points that require the execution condition be saved, interlocks (which are described next) must be used.

When drawing a ladder diagram, be careful not to use TR bits unless necessary. Often the number of instructions required for a program can be reduced

and ease of understanding a program increased by redrawing a diagram that would otherwise required TR bits. In both of the following pairs of diagrams, the bottom versions require fewer instructions and do not require TR bits. In the first example, this is achieved by reorganizing the parts of the instruction block: the bottom one, by separating the second OUTPUT instruction and using another LOAD instruction to create the proper execution condition for it.

**Note** Although simplifying programs is always a concern, the order of execution of instructions is sometimes important. For example, a MOVE instruction may be required before the execution of a BINARY ADD instruction to place the proper data in the required operand word. Be sure that you have considered execution order before reorganizing a program to simplify it.



**Note** TR bits are only used when programming using mnemonic code. They are not necessary when inputting ladder diagrams directly, as is possible from a GPC. The above limitations on the number of branching points requiring TR bits, and considerations on methods to reduce the number of programming instructions, still hold.

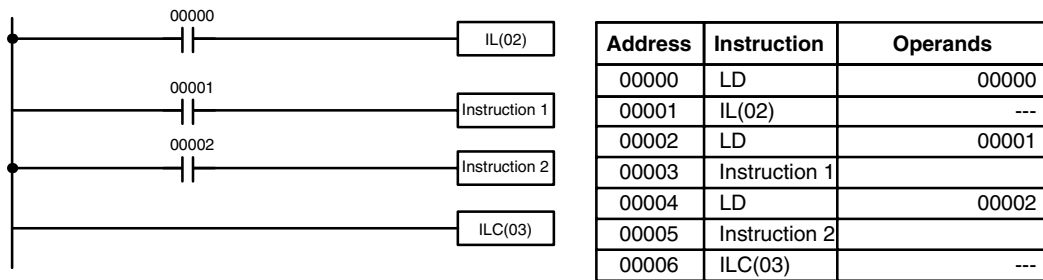
**Interlocks**

The problem of storing execution conditions at branching points can also be handled by using the INTERLOCK (IL(02)) and INTERLOCK CLEAR

(ILC(03)) instructions to eliminate the branching point completely while allowing a specific execution condition to control a group of instructions. The INTERLOCK and INTERLOCK CLEAR instructions are always used together.

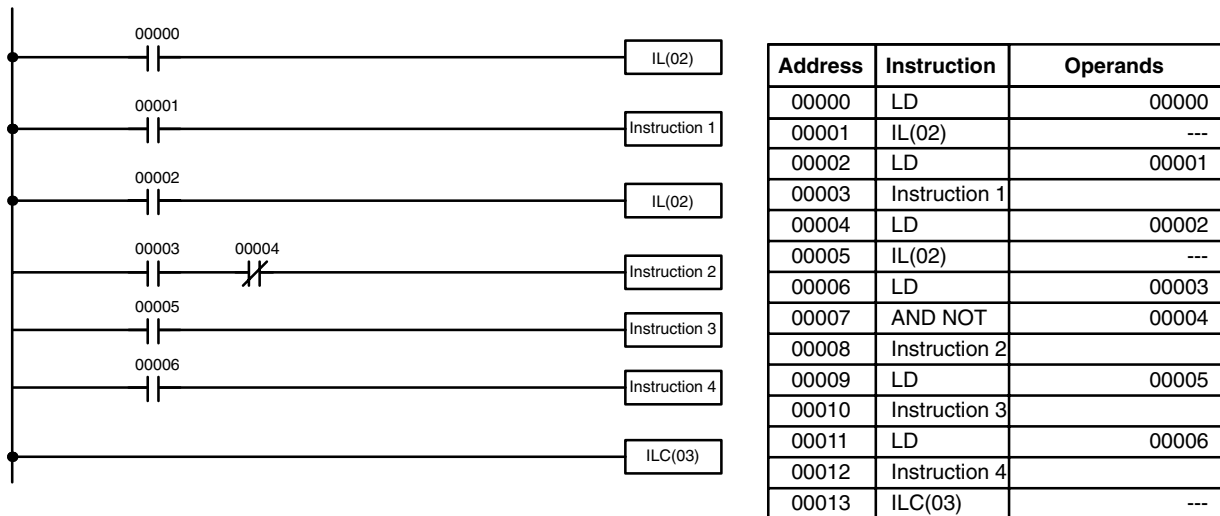
When an INTERLOCK instruction is placed before a section of a ladder program, the execution condition for the INTERLOCK instruction will control the execution of all instruction up to the next INTERLOCK CLEAR instruction. If the execution condition for the INTERLOCK instruction is OFF, all right-hand instructions through the next INTERLOCK CLEAR instruction will be executed with OFF execution conditions to reset the entire section of the ladder diagram. The effect that this has on particular instructions is described in 5-8 INTERLOCK and INTERLOCK CLEAR – IL(02) and ILC(03).

Diagram B can also be corrected with an interlock. Here, the conditions leading up to the branching point are placed on an instruction line for the INTERLOCK instruction, all of lines leading from the branching point are written as separate instruction lines, and another instruction line is added for the INTERLOCK CLEAR instruction. No conditions are allowed on the instruction line for INTERLOCK CLEAR. Note that neither INTERLOCK nor INTERLOCK CLEAR requires an operand.



If IR 00000 is ON in the revised version of diagram B, above, the status of IR 00001 and that of IR 00002 would determine the execution conditions for instructions 1 and 2, respectively. Because IR 00000 is ON, this would produce the same results as ANDing the status of each of these bits. If IR 00000 is OFF, the INTERLOCK instruction would produce an OFF execution condition for instructions 1 and 2 and then execution would continue with the instruction line following the INTERLOCK CLEAR instruction.

As shown in the following diagram, more than one INTERLOCK instruction can be used within one instruction block; each is effective through the next INTERLOCK CLEAR instruction.



If IR 00000 in the above diagram is OFF (i.e., if the execution condition for the first INTERLOCK instruction is OFF), instructions 1 through 4 would be executed with OFF execution conditions and execution would move to the instruction following the INTERLOCK CLEAR instruction. If IR 00000 is ON, the status of IR 00001 would be loaded as the execution condition for instruction 1 and then the status of IR 00002 would be loaded to form the execution condition for the second INTERLOCK instruction. If IR 00002 is OFF, instructions 2 through 4 will be executed with OFF execution conditions. If IR 00002 is ON, IR 00003, IR 00005, and IR 00006 will determine the first execution condition in new instruction lines.

### 4-6-8 Jumps

A specific section of a program can be skipped according to a designated execution condition. Although this is similar to what happens when the execution condition for an INTERLOCK instruction is OFF, with jumps, the operands for all instructions maintain status. Jumps can therefore be used to control devices that require a sustained output, e.g., pneumatics and hydraulics, whereas interlocks can be used to control devices that do not require a sustained output, e.g., electronic instruments.

Jumps are created using the JUMP (JMP(04)) and JUMP END (JME(05)) instructions. If the execution condition for a JUMP instruction is ON, the program is executed normally as if the jump did not exist. If the execution condition for the JUMP instruction is OFF, program execution moves immediately to a JUMP END instruction without changing the status of anything between the JUMP and JUMP END instruction.

All JUMP and JUMP END instructions are assigned jump numbers ranging between 00 and 99. There are two types of jumps. The jump number used determines the type of jump.

A jump can be defined using jump numbers 01 through 99 only once, i.e., each of these numbers can be used once in a JUMP instruction and once in a JUMP END instruction. When a JUMP instruction assigned one of these numbers is executed, execution moves immediately to the JUMP END instruction that has the same number as if all of the instruction between them



did not exist. Diagram B from the TR bit and interlock example could be re-drawn as shown below using a jump. Although 01 has been used as the jump number, any number between 01 and 99 could be used as long as it has not already been used in a different part of the program. JUMP and JUMP END require no other operand and JUMP END never has conditions on the instruction line leading to it.

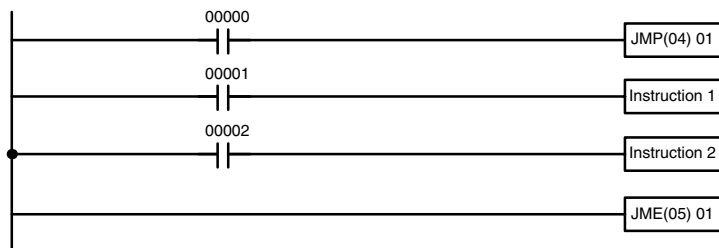


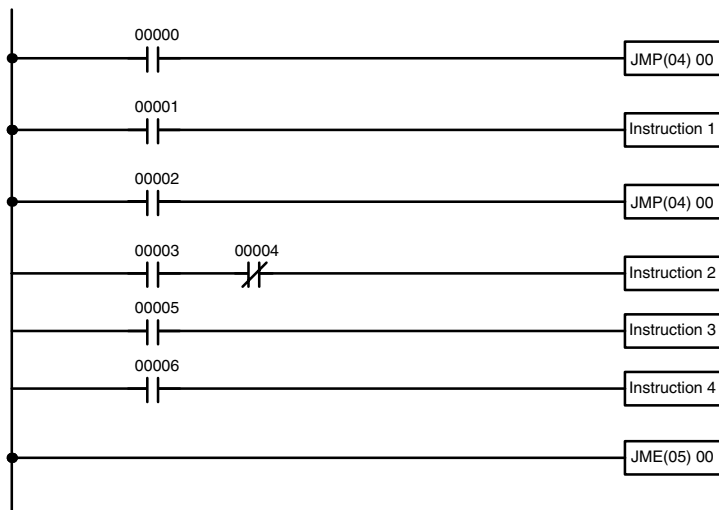
Diagram B: Corrected with a Jump

Address	Instruction	Operands
00000	LD	00000
00001	JMP(04)	01
00002	LD	00001
00003	Instruction 1	
00004	LD	00002
00005	Instruction 2	
00006	JME(05)	015

This version of diagram B would have a shorter execution time when 00000 was OFF than any of the other versions.

The other type of jump is created with a jump number of 00. As many jumps as desired can be created using jump number 00 and JUMP instructions using 00 can be used consecutively without a JUMP END using 00 between them. It is even possible for all JUMP 00 instructions to move program execution to the same JUMP END 00, i.e., only one JUMP END 00 instruction is required for all JUMP 00 instruction in the program. When 00 is used as the jump number for a JUMP instruction, program execution moves to the instruction following the next JUMP END instruction with a jump number of 00. Although, as in all jumps, no status is changed and no instructions are executed between the JUMP 00 and JUMP END 00 instructions, the program must search for the next JUMP END 00 instruction, producing a slightly longer execution time.

Execution of programs containing multiple JUMP 00 instructions for one JUMP END 00 instruction is similar to that of interlocked sections. The following diagram is the same as that used for the interlock example above, except redrawn with jumps. The execution of this diagram would differ from that of the diagram described above (e.g., in the previous diagram interlocks would reset certain parts of the interlocked section, however, jumps do not affect the status of any bit between the JUMP and JUMP END instructions).



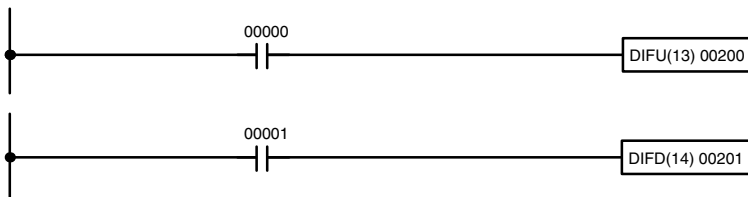
Address	Instruction	Operands
00000	LD	00000
00001	JMP(04)	00
00002	LD	00001
00003	Instruction 1	
00004	LD	00002
00005	JMP(04)	00
00006	LD	00003
00007	AND NOT	00004
00008	Instruction 2	
00009	LD	00005
00010	Instruction 3	
00011	LD	00006
00012	Instruction 4	
00013	JME(05)	00

## 4-7 Controlling Bit Status

There are five instructions that can be used generally to control individual bit status. These are the OUTPUT, OUTPUT NOT, DIFFERENTIATE UP, DIFFERENTIATE DOWN, and KEEP instructions. All of these instructions appear as the last instruction in an instruction line and take a bit address for an operand. Although details are provided in *5-7 Bit Control Instructions*, these instructions (except for OUTPUT and OUTPUT NOT, which have already been introduced) are described here because of their importance in most programs. Although these instructions are used to turn ON and OFF output bits in the IR area (i.e., to send or stop output signals to external devices), they are also used to control the status of other bits in the IR area or in other data areas.

### 4-7-1 DIFFERENTIATE UP and DIFFERENTIATE DOWN

DIFFERENTIATE UP and DIFFERENTIATE DOWN instructions are used to turn the operand bit ON for one cycle at a time. The DIFFERENTIATE UP instruction turns ON the operand bit for one cycle after the execution condition for it goes from OFF to ON; the DIFFERENTIATE DOWN instruction turns ON the operand bit for one cycle after the execution condition for it goes from ON to OFF. Both of these instructions require only one line of mnemonic code.



Address	Instruction	Operands
00000	LD	00000
00001	DIFU(13)	00200

Address	Instruction	Operands
00000	LD	00001
00001	DIFD(14)	00201

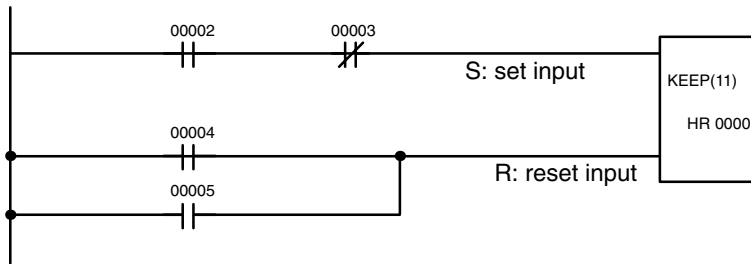
Here, IR 00200 will be turned ON for one cycle after IR 00000 goes ON. The next time DIFU(13) 00200 is executed, IR 00200 will be turned OFF, regardless of the status of IR 00000. With the DIFFERENTIATE DOWN instruction, IR 00201 will be turned ON for one cycle after IR 00001 goes OFF (IR 00201 will be kept OFF until then), and will be turned OFF the next time DIFD(14) 00201 is executed.

### 4-7-2 KEEP

The KEEP instruction is used to maintain the status of the operand bit based on two execution conditions. To do this, the KEEP instruction is connected to two instruction lines. When the execution condition at the end of the first instruction line is ON, the operand bit of the KEEP instruction is turned ON. When the execution condition at the end of the second instruction line is ON, the operand bit of the KEEP instruction is turned OFF. The operand bit for the KEEP instruction will maintain its ON or OFF status even if it is located in an interlocked section of the diagram.

In the following example, HR 0000 will be turned ON when IR 00002 is ON and IR 00003 is OFF. HR 0000 will then remain ON until either IR 00004 or IR 00005 turns ON. With KEEP, as with all instructions requiring more than

one instruction line, the instruction lines are coded first before the instruction that they control.



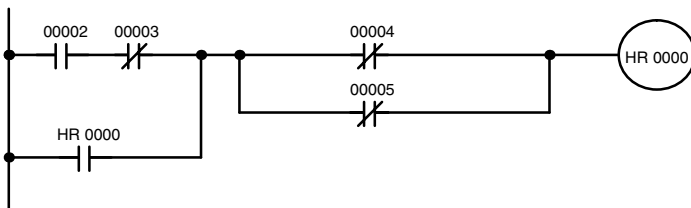
Address	Instruction	Operands
00000	LD	00002
00001	AND NOT	00003
00002	LD	00004
00003	OR	00005
00004	KEEP(11)	HR 0000

### 4-7-3 Self-maintaining Bits (Seal)

Although the KEEP instruction can be used to create self-maintaining bits, it is sometimes necessary to create self-maintaining bits in another way so that they can be turned OFF when in an interlocked section of a program.

To create a self-maintaining bit, the operand bit of an OUTPUT instruction is used as a condition for the same OUTPUT instruction in an OR setup so that the operand bit of the OUTPUT instruction will remain ON or OFF until changes occur in other bits. At least one other condition is used just before the OUTPUT instruction to function as a reset. Without this reset, there would be no way to control the operand bit of the OUTPUT instruction.

The above diagram for the KEEP instruction can be rewritten as shown below. The only difference in these diagrams would be their operation in an interlocked program section when the execution condition for the INTERLOCK instruction was ON. Here, just as in the same diagram using the KEEP instruction, two reset bits are used, i.e., HR 0000 can be turned OFF by turning ON either IR 00004 or IR 00005.



Address	Instruction	Operands
00000	LD	00002
00001	AND NOT	00003
00002	OR	HR 0000
00003	AND NOT	00004
00004	OR NOT	00005
00005	OUT	HR 0000

## 4-8 Work Bits (Internal Relays)

In programming, combining conditions to directly produce execution conditions is often extremely difficult. These difficulties are easily overcome, however, by using certain bits to trigger other instructions indirectly. Such programming is achieved by using work bits. Sometimes entire words are required for these purposes. These words are referred to as work words.

Work bits are not transferred to or from the PC. They are bits selected by the programmer to facilitate programming as described above. I/O bits and other dedicated bits cannot be used as work bits. All bits in the IR area that are not allocated as I/O bits, and certain unused bits in the AR area, are available for use as work bits. Be careful to keep an accurate record of how and where you use work bits. This helps in program planning and writing, and also aids in debugging operations.

**Work Bit Applications**

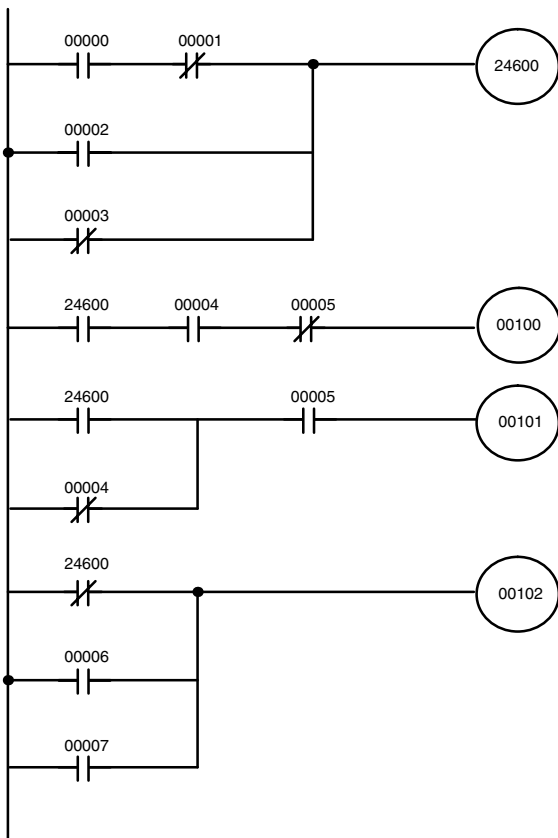
Examples given later in this subsection show two of the most common ways to employ work bits. These should act as a guide to the almost limitless number of ways in which the work bits can be used. Whenever difficulties arise in programming a control action, consideration should be given to work bits and how they might be used to simplify programming.

Work bits are often used with the OUTPUT, OUTPUT NOT, DIFFERENTIATE UP, DIFFERENTIATE DOWN, and KEEP instructions. The work bit is used first as the operand for one of these instructions so that later it can be used as a condition that will determine how other instructions will be executed. Work bits can also be used with other instructions, e.g., with the SHIFT REGISTER instruction (SFT(10)). An example of the use of work words and bits with the SHIFT REGISTER instruction is provided 5-13-1 *SHIFT REGISTER – SFT(10)*.

Although they are not always specifically referred to as work bits, many of the bits used in the examples in *Section 5 Instruction Set* use work bits. Understanding the use of these bits is essential to effective programming.

**Reducing Complex Conditions**

Work bits can be used to simplify programming when a certain combination of conditions is repeatedly used in combination with other conditions. In the following example, IR 00000, IR 00001, IR 00002, and IR 00003 are combined in a logic block that stores the resulting execution condition as the status of IR 24600. IR 24600 is then combined with various other conditions to determine output conditions for IR 00100, IR 00101, and IR 00102, i.e., to turn the outputs allocated to these bits ON or OFF.



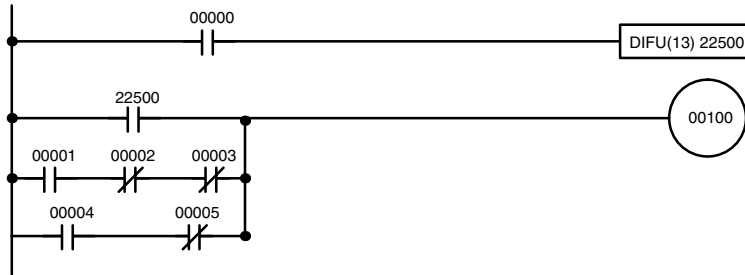
Address	Instruction	Operands
00000	LD	00000
00001	AND NOT	00001
00002	OR	00002
00003	OR NOT	00003
00004	OUT	24600
00005	LD	24600
00006	AND	00004
00007	AND NOT	00005
00008	OUT	00100
00009	LD	24600
00010	OR NOT	00004
00011	AND	00005
00012	OUT	00101
00013	LD NOT	24600
00014	OR	00006
00015	OR	00007
00016	OUT	00102

**Differentiated Conditions**

Work bits can also be used if differential treatment is necessary for some, but not all, of the conditions required for execution of an instruction. In this exam-

ple, IR 00100 must be left ON continuously as long as IR 00001 is ON and both IR 00002 and IR 00003 are OFF, or as long as IR 00004 is ON and IR 00005 is OFF. It must be turned ON for only one cycle each time IR 00000 turns ON (unless one of the preceding conditions is keeping it ON continuously).

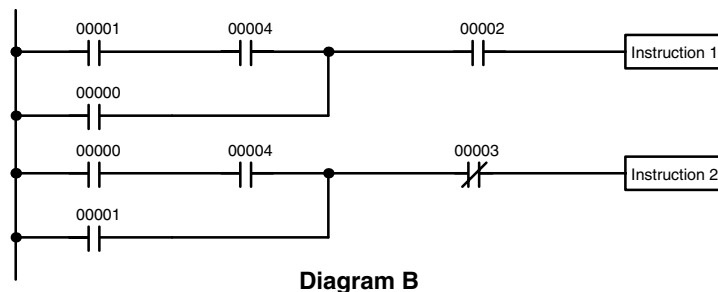
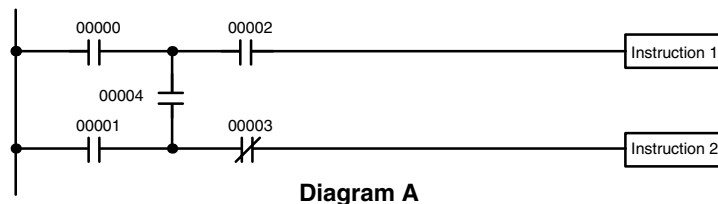
This action is easily programmed by using IR 22500 as a work bit as the operand of the DIFFERENTIATE UP instruction (DIFU(13)). When IR 00000 turns ON, IR 22500 will be turned ON for one cycle and then be turned OFF the next cycle by DIFU(13). Assuming the other conditions controlling IR 00100 are not keeping it ON, the work bit IR 22500 will turn IR 00100 ON for one cycle only.



Address	Instruction	Operands
00000	LD	00000
00001	DIFU(13)	22500
00002	LD	22500
00003	LD	00001
00004	AND NOT	00002
00005	AND NOT	00003
00006	OR LD	---
00007	LD	00004
00008	AND NOT	00005
00009	OR LD	---
00010	OUT	00100

## 4-9 Programming Precautions

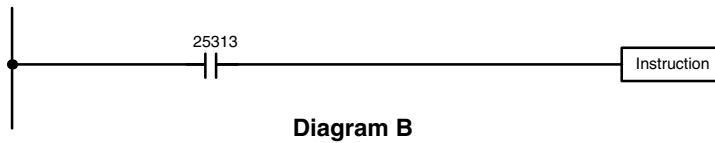
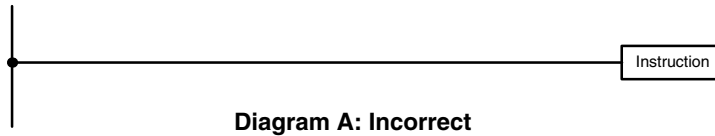
The number of conditions that can be used in series or parallel is unlimited as long as the memory capacity of the PC is not exceeded. Therefore, use as many conditions as required to draw a clear diagram. Although very complicated diagrams can be drawn with instruction lines, there must not be any conditions on lines running vertically between two other instruction lines. Diagram A shown below, for example, is not possible, and should be drawn as diagram B. Mnemonic code is provided for diagram B only; coding diagram A would be impossible.



Address	Instruction	Operands
00000	LD	00001
00001	AND	00004
00002	OR	00000
00003	AND	00002
00004	Instruction 1	
00005	LD	00000
00006	AND	00004
00007	OR	00001
00008	AND NOT	00003
00009	Instruction 2	

The number of times any particular bit can be assigned to conditions is not limited, so use them as many times as required to simplify your program. Often, complicated programs are the result of attempts to reduce the number of times a bit is used.

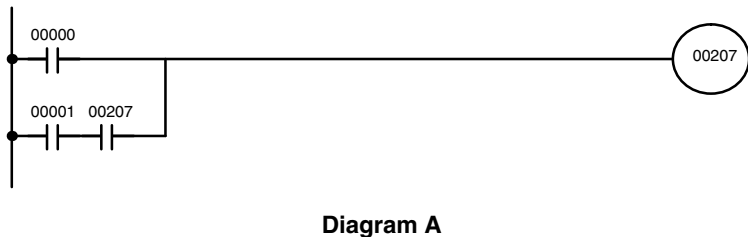
Except for instructions for which conditions are not allowed (e.g., INTERLOCK CLEAR and JUMP END, see below), every instruction line must also have at least one condition on it to determine the execution condition for the instruction at the right. Again, diagram A, below, must be drawn as diagram B. If an instruction must be continuously executed (e.g., if an output must always be kept ON while the program is being executed), the Always ON Flag (SR 25313) in the SR area can be used.



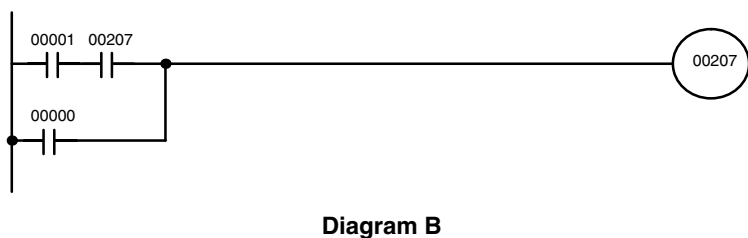
Address	Instruction	Operands
00000	LD	25313
00001	Instruction	

There are a few exceptions to this rule, including the INTERLOCK CLEAR, JUMP END, and step instructions. Each of these instructions is used as the second of a pair of instructions and is controlled by the execution condition of the first of the pair. Conditions should not be placed on the instruction lines leading to these instructions. Refer to *Section 5 Instruction Set* for details.

When drawing ladder diagrams, it is important to keep in mind the number of instructions that will be required to input it. In diagram A, below, an OR LOAD instruction will be required to combine the top and bottom instruction lines. This can be avoided by redrawing as shown in diagram B so that no AND LOAD or OR LOAD instructions are required. Refer to *5-6-2 AND LOAD and OR LOAD* for more details and *Section 7 Program Monitoring and Execution* for further examples.



Address	Instruction	Operands
00000	LD	00000
00001	LD	00001
00002	AND	00207
00003	OR LD	---
00004	OUT	00207



Address	Instruction	Operands
00000	LD	00001
00001	AND	00207
00002	OR	00000
00003	OUT	002

## **4-10 Program Execution**

When program execution is started, the CPU cycles the program from top to bottom, checking all conditions and executing all instructions accordingly as it moves down the bus bar. It is important that instructions be placed in the proper order so that, for example, the desired data is moved to a word before that word is used as the operand for an instruction. Remember that an instruction line is completed to the terminal instruction at the right before executing an instruction lines branching from the first instruction line to other terminal instructions at the right.

Program execution is only one of the tasks carried out by the CPU as part of the cycle time. Refer to *Section 6 Program Execution Timing* for details.

# SECTION 5

## Instruction Set

The C200H PC has a large programming instruction set that allows for easy programming of complicated control processes. This section explains each instruction individually and provides the ladder diagram symbol, data areas, and flags used with each.

The many instructions provided by the C200H are organized in the following subsections by instruction group. These groups include Ladder Diagram Instructions, Bit Control Instructions, Timer and Counter Instructions, Data Shifting Instructions, Data Movement Instructions, Data Comparison Instructions, Data Conversion Instructions, BCD Calculation Instructions, Binary Calculation Instructions, Logic Instructions, Subroutines, Special Instructions, and SYSMAC NET Link/SYSMAC LINK System Instructions.

Some instructions, such as Timer and Counter instructions, are used to control execution of other instructions, e.g., a TIM Completion Flag might be used to turn ON a bit when the time period set for the timer has expired. Although these other instructions are often used to control output bits through the Output instruction, they can be used to control execution of other instructions as well. The Output instructions used in examples in this manual can therefore generally be replaced by other instructions to modify the program for specific applications other than controlling output bits directly.

5-1	Notation	97
5-2	Instruction Format	97
5-3	Data Areas, Definer Values, and Flags	97
5-4	Differentiated Instructions	99
5-5	Coding Right-hand Instructions	100
5-6	Ladder Diagram Instructions	102
5-6-1	LOAD, LOAD NOT, AND, AND NOT, OR, and OR NOT	102
5-6-2	AND LOAD and OR LOAD	103
5-7	Bit Control Instructions	104
5-7-1	OUTPUT and OUTPUT NOT – OUT and OUT NOT	104
5-7-2	DIFFERENTIATE UP and DOWN – DIFU(13) and DIFD(14)	105
5-7-3	KEEP – KEEP(11)	106
5-8	INTERLOCK and INTERLOCK CLEAR – IL(02) and ILC(03)	108
5-9	JUMP and JUMP END – JMP(04) and JME(05)	110
5-10	END – END(01)	111
5-11	NO OPERATION – NOP(00)	112
5-12	Timer and Counter Instructions	112
5-12-1	TIMER – TIM	113
5-12-2	HIGH-SPEED TIMER – TIMH(15)	117
5-12-3	COUNTER – CNT	118
5-12-4	REVERSIBLE COUNTER – CNTR(12)	121
5-13	Data Shifting	123
5-13-1	SHIFT REGISTER – SFT(10)	123
5-13-2	REVERSIBLE SHIFT REGISTER – SFTR(84)	125
5-13-3	ARITHMETIC SHIFT LEFT – ASL(25)	127
5-13-4	ARITHMETIC SHIFT RIGHT – ASR(26)	127
5-13-5	ROTATE LEFT – ROL(27)	128
5-13-6	ROTATE RIGHT – ROR(28)	128
5-13-7	ONE DIGIT SHIFT LEFT – SLD(74)	129
5-13-8	ONE DIGIT SHIFT RIGHT – SRD(75)	129
5-13-9	WORD SHIFT – WSFT(16)	130
5-13-10	REVERSIBLE WORD SHIFT – RWS(17)	131
5-14	Data Movement	132
5-14-1	MOVE – MOV(21)	132
5-14-2	MOVE NOT – MVN(22)	133
5-14-3	COLUMN-TO-WORD – CTW(63)	133
5-14-4	WORD-TO-COLUMN – WTC(64)	134
5-14-5	BLOCK SET – BSET(71)	135
5-14-6	BLOCK TRANSFER – XFER(70)	137
5-14-7	DATA EXCHANGE – XCHG(73)	137
5-14-8	SINGLE WORD DISTRIBUTE – DIST(80)	138
5-14-9	DATA COLLECT – COLL(81)	138
5-14-10	MOVE BIT – MOV(82)	139
5-14-11	MOVE DIGIT – MOVD(83)	140
5-15	Data Comparison	141
5-15-1	MULTI-WORD COMPARE – MCMP(19)	141
5-15-2	COMPARE – CMP(20)	142
5-15-3	DOUBLE COMPARE – CMPL(60)	144
5-15-4	BLOCK COMPARE – BCMP(68)	146
5-15-5	TABLE COMPARE – TCMP(85)	147



5-16	Data Conversion .....	149
5-16-1	BCD-TO-BINARY – BIN(23) .....	149
5-16-2	DOUBLE BCD-TO-DOUBLE BINARY – BINL(58) .....	149
5-16-3	BINARY-TO-BCD – BCD(24) .....	150
5-16-4	DOUBLE BINARY-TO-DOUBLE BCD – BCDL(59) .....	151
5-16-5	HOURS-TO-SECONDS – HTS(65) .....	151
5-16-6	SECONDS-TO-HOURS – STH(66) .....	152
5-16-7	4-TO-16 DECODER – MLPX(76) .....	153
5-16-8	16-TO-4 ENCODER – DMPX(77) .....	155
5-16-9	7-SEGMENT DECODER – SDEC(78) .....	158
5-16-10	ASCII CONVERT – ASC(86) .....	161
5-17	BCD Calculations .....	162
5-17-1	INCREMENT – INC(38) .....	163
5-17-2	DECREMENT – DEC(39) .....	163
5-17-3	SET CARRY – STC(40) .....	163
5-17-4	CLEAR CARRY – CLC(41) .....	164
5-17-5	BCD ADD – ADD(30) .....	164
5-17-6	DOUBLE BCD ADD – ADDL(54) .....	165
5-17-7	BCD SUBTRACT – SUB(31) .....	166
5-17-8	DOUBLE BCD SUBTRACT – SUBL(55) .....	169
5-17-9	BCD MULTIPLY – MUL(32) .....	171
5-17-10	DOUBLE BCD MULTIPLY – MULL(56) .....	172
5-17-11	BCD DIVIDE – DIV(33) .....	172
5-17-12	DOUBLE BCD DIVIDE – DIVL(57) .....	173
5-17-13	FLOATING POINT DIVIDE – FDIV(79) .....	174
5-17-14	SQUARE ROOT – ROOT(72) .....	177
5-18	Binary Calculations .....	179
5-18-1	BINARY ADD – ADB(50) .....	179
5-18-2	BINARY SUBTRACT – SBB(51) .....	181
5-18-3	BINARY MULTIPLY – MLB(52) .....	183
5-18-4	BINARY DIVIDE – DVB(53) .....	184
5-19	Logic Instructions .....	184
5-19-1	COMPLEMENT – COM(29) .....	184
5-19-2	LOGICAL AND – ANDW(34) .....	185
5-19-3	LOGICAL OR – ORW(35) .....	185
5-19-4	EXCLUSIVE OR – XORW(36) .....	186
5-19-5	EXCLUSIVE NOR – XNRW(37) .....	187
5-20	Subroutines and Interrupt Control .....	187
5-20-1	Overview .....	187
5-20-2	SUBROUTINE DEFINE and RETURN – SBN(92)/RET(93) .....	188
5-20-3	SUBROUTINE ENTER – SBS(91) .....	189
5-20-4	INTERRUPT CONTROL – INT(89) .....	190
5-21	Step Instructions .....	193
5-21-1	STEP DEFINE and STEP START–STEP(08)/SNXT(09) .....	193
5-22	Special Instructions .....	202
5-22-1	FAILURE ALARM – FAL(06) and SEVERE FAILURE ALARM – FALS(07) .....	202
5-22-2	CYCLE TIME – SCAN(18) .....	203
5-22-3	MESSAGE DISPLAY – MSG(46) .....	204
5-22-4	LONG MESSAGE – LMSG(47) .....	205
5-22-5	TERMINAL MODE – TERM(48) .....	206
5-22-6	SET SYSTEM – SYS(49) .....	206
5-22-7	BIT COUNTER – BCNT(67) .....	207
5-22-8	VALUE CALCULATE – VCAL(69) .....	207
5-22-9	WATCHDOG TIMER REFRESH – WDT(94) .....	210
5-22-10	I/O REFRESH – IORF(97) .....	210
5-23	SYSMAC NET Link/SYSMAC LINK Instructions .....	211
5-23-1	NETWORK SEND – SEND(90) .....	211
5-23-2	NETWORK RECEIVE – RECV(98) .....	213
5-23-3	About SYSMAC NET Link/SYSMAC LINK Operations .....	214

## 5-1 Notation

In the remainder of this manual, all instructions will be referred to by their mnemonics. For example, the Output instruction will be called OUT; the AND Load instruction, AND LD. If you're not sure of the instruction a mnemonic is used for, refer to *Appendix B Programming Instructions*.

If an instruction is assigned a function code, it will be given in parentheses after the mnemonic. These function codes, which are 2-digit decimal numbers, are used to input most instructions into the CPU and are described briefly below and in more detail in *4-6 Inputting, Modifying, and Checking the Program*. A table of instructions listed in order of function codes, is also provided in *Appendix B*.

An @ before a mnemonic indicates the differentiated version of that instruction. Differentiated instructions are explained in *Section 5-4*.

## 5-2 Instruction Format

Most instructions have at least one or more operands associated with them. Operands indicate or provide the data on which an instruction is to be performed. These are sometimes input as the actual numeric values (i.e., as constants), but are usually the addresses of data area words or bits that contain the data to be used. A bit whose address is designated as an operand is called an operand bit; a word whose address is designated as an operand is called an operand word. In some instructions, the word address designated in an instruction indicates the first of multiple words containing the desired data.

Each instruction requires one or more words in Program Memory. The first word is the instruction word, which specifies the instruction and contains any definers (described below) or operand bits required by the instruction. Other operands required by the instruction are contained in following words, one operand per word. Some instructions require up to four words.

A definer is an operand associated with an instruction and contained in the same word as the instruction itself. These operands define the instruction rather than telling what data it is to use. Examples of definers are TC numbers, which are used in timer and counter instructions to create timers and counters, as well as jump numbers (which define which Jump instruction is paired with which Jump End instruction). Bit operands are also contained in the same word as the instruction itself, although these are not considered definers.

## 5-3 Data Areas, Definer Values, and Flags

In this section, each instruction description includes its ladder diagram symbol, the data areas that can be used by its operands, and the values that can be used as definers. Details for the data areas are also specified by the operand names and the type of data required for each operand (i.e., word or bit and, for words, hexadecimal or BCD).

Not all addresses in the specified data areas are necessarily allowed for an operand, e.g., if an operand requires two words, the last word in a data area cannot be designated as the first word of the operand because all words for a single operand must be within the same data area. Other specific limitations are given in a *Limitations* subsection. Refer to *Section 3 Memory Areas* for addressing conventions and the addresses of flags and control bits.

**Caution** The IR and SR areas are considered as separate data areas. If an operand has access to one area, it doesn't necessarily mean that the same operand

will have access to the other area. The border between the IR and SR areas can, however, be crossed for a single operand, i.e., the last bit in the IR area may be specified for an operand that requires more than one word as long as the SR area is also allowed for that operand.

The *Flags* subsection lists flags that are affected by execution of an instruction. These flags include the following SR area flags.

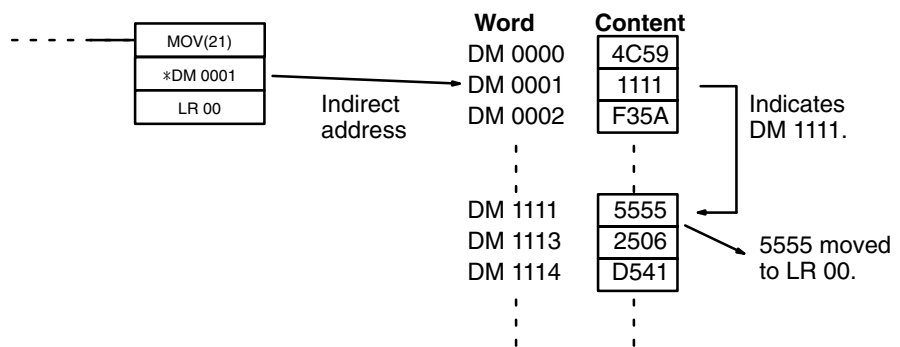
Abbreviation	Name	Bit
ER	Instruction Execution Error Flag	25503
CY	Carry Flag	25504
GR	Greater Than Flag	25505
EQ	Equals Flag	25506
LE	Less Than Flag	25507

ER is the flag most commonly used for monitoring an instruction’s execution. When ER goes ON, it indicates that an error has occurred in attempting to execute the current instruction. The *Flags* subsection of each instruction lists possible reasons for ER being ON. ER will turn ON if operands are not entered correctly. Instructions are not executed when ER is ON. A table of instructions and the flags they affect is provided in *Appendix D Error and Arithmetic Flag Operation*.

**Indirect Addressing**

When the DM area is specified for an operand, an indirect address can be used. Indirect DM addressing is specified by placing an asterisk before the DM: \*DM.

When an indirect DM address is specified, the designated DM word will contain the address of the DM word that contains the data that will be used as the operand of the instruction. If, for example, \*DM 0001 was designated as the first operand and LR 00 as the second operand of MOV(21), the contents of DM 0001 was 1111, and DM 1111 contained 5555, the value 5555 would be moved to LR 00.



When using indirect addressing, the address of the desired word must be in BCD and it must specify a word within the DM area. In the above example, the content of \*DM 0000 would have to be in BCD between 0000 and 1999.

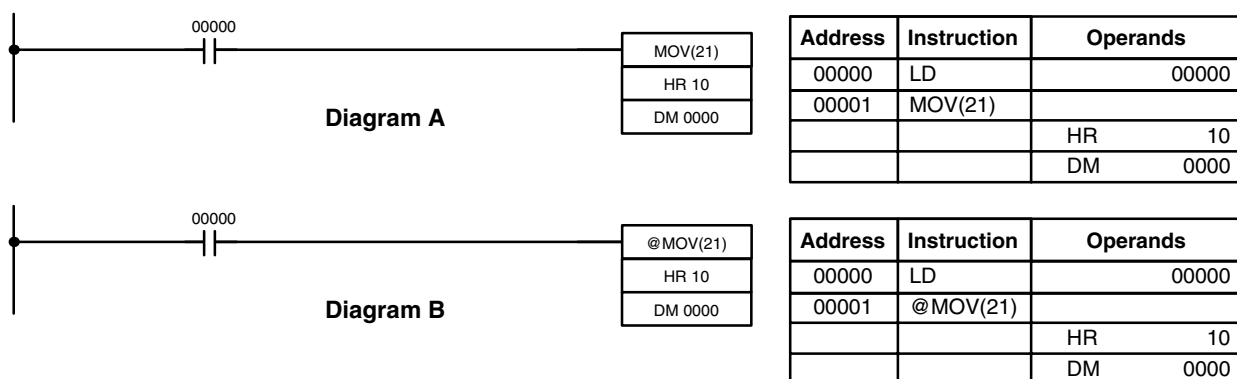
**Designating Constants**

Although data area addresses are most often given as operands, many operands and all definers are input as constants. The available value range for a given definer or operand depends on the particular instruction that uses it. Constants must also be entered in the form required by the instruction, i.e., in BCD or in hexadecimal.

## 5-4 Differentiated Instructions

Most instructions are provided in both differentiated and non-differentiated forms. Differentiated instructions are distinguished by an @ in front of the instruction mnemonic.

A non-differentiated instruction is executed each time it is cycled as long as its execution condition is ON. A differentiated instruction is executed only once after its execution condition goes from OFF to ON. If the execution condition has not changed or has changed from ON to OFF since the last time the instruction was cycled, the instruction will not be executed. The following two examples show how this works with MOV(21) and @MOV(21), which are used to move the data in the address designated by the first operand to the address designated by the second operand.



In diagram A, the non-differentiated MOV(21) will move the content of HR 10 to DM 0000 whenever it is cycled with 00000. If the cycle time is 80 ms and 00000 remains ON for 2.0 seconds, this move operation will be performed 25 times and only the last value moved to DM 0000 will be preserved there.

In diagram B, the differentiated @MOV(21) will move the content of HR 10 to DM 0000 only once after 00000 goes ON. Even if 00000 remains ON for 2.0 seconds with the same 80 ms cycle time, the move operation will be executed only once during the first cycle in which 00000 has changed from OFF to ON. Because the content of HR 10 could very well change during the 2 seconds while 00000 is ON, the final content of DM 0000 after the 2 seconds could be different depending on whether MOV(21) or @MOV(21) was used.

All operands, ladder diagram symbols, and other specifications for instructions are the same regardless of whether the differentiated or non-differentiated form of an instruction is used. When inputting, the same function codes are also used, but NOT is input after the function code to designate the differentiated form of an instruction. Most, but not all, instructions have differentiated forms.

Refer to 5-8 INTERLOCK and INTERLOCK CLEAR – IL(02) and IL(03) for the effects of interlocks on differentiated instructions.

The C200H also provides differentiation instructions: DIFU(13) and DIFD(14). DIFU(13) operates the same as a differentiated instruction, but is used to turn ON a bit for one cycle. DIFD(14) also turns ON a bit for one cycle, but does it when the execution condition has changed from ON to OFF. Refer to 5-7-2 DIFFERENTIATE UP and DOWN – DIFU(13) and DIFD(14) for details.

**Note** If SR25313 (Always ON Flag) or SR25315 (First Cycle Bit) are used as input bits for differentiated instructions, because there is no rising edge, the differentiated instruction will not be executed. Do not use SR25313 or SR25315 as input bits for differentiated instructions.

## 5-5 Coding Right-hand Instructions

Writing mnemonic code for ladder instructions is described in *Section 4 Writing and Inputting the Program*. Converting the information in the ladder diagram symbol for all other instructions follows the same pattern, as described below, and is not specified for each instruction individually.

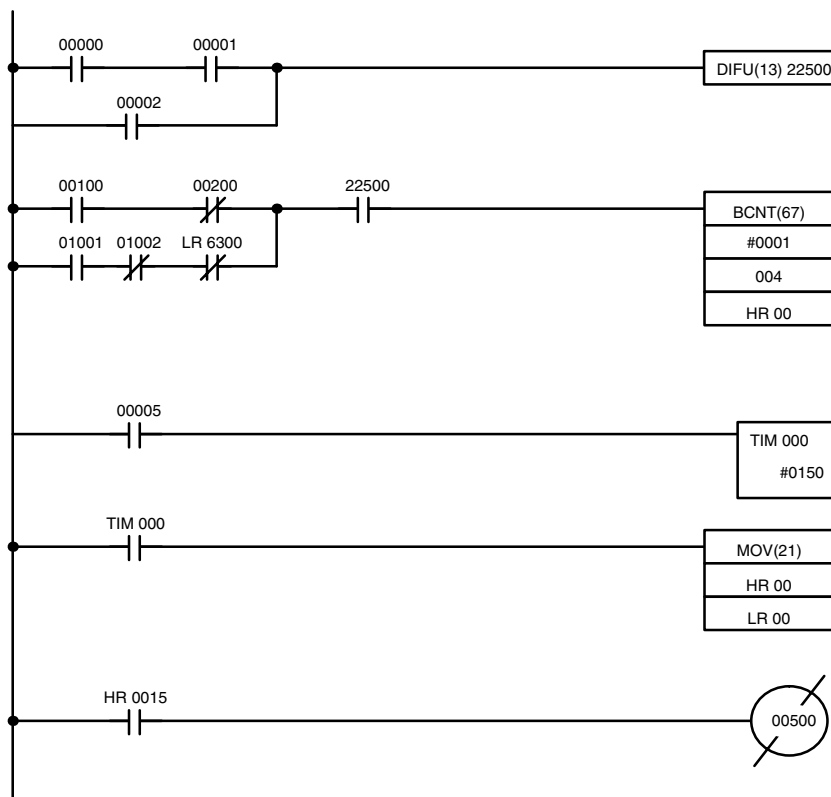
The first word of any instruction defines the instruction and provides any definers. If the instruction requires only a signal bit operand with no definer, the bit operand is also placed on the same line as the mnemonic. All other operands are placed on lines after the instruction line, one operand per line and in the same order as they appear in the ladder symbol for the instruction.

The address and instruction columns of the mnemonic code table are filled in for the instruction word only. For all other lines, the left two columns are left blank. If the instruction requires no definer or bit operand, the data column is left blank for first line. It is a good idea to cross through any blank data column spaces (for all instruction words that do not require data) so that the data column can be quickly cycled to see if any addresses have been left out.

If an IR or SR address is used in the data column, the left side of the column is left blank. If any other data area is used, the data area abbreviation is placed on the left side and the address is placed on the right side. If a constant to be input, the number symbol (#) is placed on the left side of the data column and the number to be input is placed on the right side. Any numbers input as definers in the instruction word do not require the number symbol on the right side. TC bits, once defined as a timer or counter, take a TIM (timer) or CNT (counter) prefix.

When coding an instruction that has a function code, be sure to write in the function code, which will be necessary when inputting the instruction via the Programming Console. Also be sure to designate the differentiated instruction with the @ symbol.

The following diagram and corresponding mnemonic code illustrates the points described above.

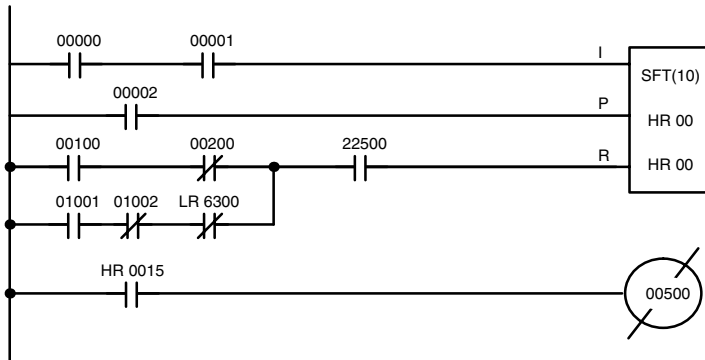


Address	Instruction	Data
00000	LD	00000
00001	AND	00001
00002	OR	00002
00003	DIFU(13)	22500
00004	LD	00100
00005	AND NOT	00200
00006	LD	01001
00007	AND NOT	01002
00008	AND NOT	LR 6300
00009	OR LD	--
00010	AND	22500
00011	BCNT(67)	--
		# 0001
		004
		HR 00
00012	LD	00005
00013	TIM	000
		# 0150
00014	LD	TIM 000
00015	MOV(21)	--
		HR 00
		LR 00
00016	LD	HR 0015
00017	OUT NOT	00500

**Multiple Instruction Lines**

If a right-hand instruction requires multiple instruction lines (such as KEEP(11)), all of the lines for the instruction are entered before the right-hand instruction. Each of the lines for the instruction is coded, starting with

LD or LD NOT, to form 'logic blocks' that are combined by the right-hand instruction. An example of this for SFT(10) is shown below.



Address	Instruction	Data
00000	LD	00000
00001	AND	00001
00002	LD	00002
00003	LD	00100
00004	AND NOT	00200
00005	LD	01001
00006	AND NOT	01002
00007	AND NOT	LR 6300
00008	OR LD	--
00009	AND	22500
00010	SFT(10)	--
		HR 00
		HR 00
00011	LD	HR 0015
00012	OUT NOT	00500

END(01)

When you have finished coding the program, make sure you have placed END(01) at the last address.

## 5-6 Ladder Diagram Instructions

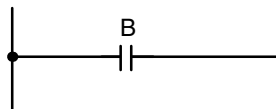
Ladder Diagram instructions include Ladder instructions and Logic Block instructions. Ladder instructions correspond to the conditions on the ladder diagram. Logic block instructions are used to relate more complex parts of the diagram that cannot be programmed with Ladder instructions alone.

### 5-6-1 LOAD, LOAD NOT, AND, AND NOT, OR, and OR NOT

#### Ladder Symbols

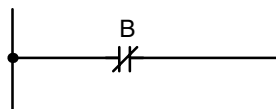
#### Operand Data Areas

LOAD – LD



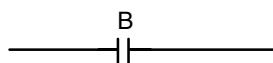
<b>B:</b> Bit
IR, SR, AR, HR, TC, LR, TR

LOAD NOT – LD NOT



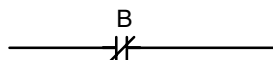
<b>B:</b> Bit
IR, SR, AR, HR, TC, LR

AND – AND



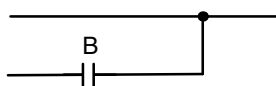
<b>B:</b> Bit
IR, SR, AR, HR, TC, LR

AND NOT – AND NOT



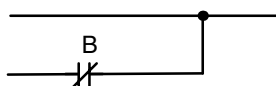
<b>B:</b> Bit
IR, SR, AR, HR, TC, LR

OR – OR



<b>B: Bit</b>
IR, SR, AR, HR, TC, LR

OR NOT – OR NOT



<b>B: Bit</b>
IR, SR, AR, HR, TC, LR

**Limitations**

There is no limit to the number of any of these instructions, or restrictions in the order in which they must be used, as long as the memory capacity of the PC is not exceeded.

**Description**

These six basic instructions correspond to the conditions on a ladder diagram. As described in *Section 4 Writing and Inputting the Program*, the status of the bits assigned to each instruction determines the execution conditions for all other instructions. Each of these instructions and each bit address can be used as many times as required. Each can be used in as many of these instructions as required.

The status of the bit operand (B) assigned to LD or LD NOT determines the first execution condition. AND takes the logical AND between the execution condition and the status of its bit operand; AND NOT, the logical AND between the execution condition and the inverse of the status of its bit operand. OR takes the logical OR between the execution condition and the status of its bit operand; OR NOT, the logical OR between the execution condition and the inverse of the status of its bit operand. The ladder symbol for loading TR bits is different from that shown above. Refer to *4-3-3 Ladder Instructions* for details.

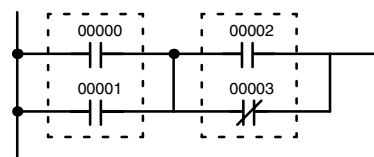
**Flags**

There are no flags affected by these instructions.

## 5-6-2 AND LOAD and OR LOAD

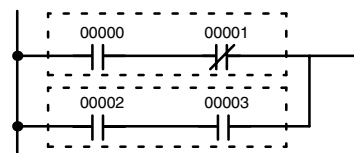
AND LOAD – AND LD

Ladder Symbol



OR LOAD – OR LD

Ladder Symbol



**Description**

When instructions are combined into blocks that cannot be logically combined using only OR and AND operations, AND LD and OR LD are used. Whereas AND and OR operations logically combine a bit status and an execution condition, AND LD and OR LD logically combine two execution conditions, the current one and the last unused one.



In order to draw ladder diagrams, it is not necessary to use AND LD and OR LD instructions, nor are they necessary when inputting ladder diagrams directly, as is possible from the GPC. They are required, however, to convert the program to and input it in mnemonic form. The procedures for these, limitations for different procedures, and examples are provided in *4-6 Inputting, Modifying, and Checking the Program*.

In order to reduce the number of programming instructions required, a basic understanding of logic block instructions is required. For an introduction to logic blocks, refer to *4-3-6 Logic Block Instructions*. For details and examples, refer to *4-3-6 Logic Block Instructions*.

**Flags** There are no flags affected by these instructions.

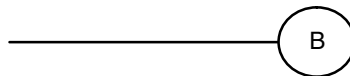
## 5-7 Bit Control Instructions

There are five instructions that can be used generally to control individual bit status. These are OUT, OUT NOT, DIFU(13), DIFD(14), and KEEP(11). These instructions are used to turn bits ON and OFF in different ways.

### 5-7-1 OUTPUT and OUTPUT NOT – OUT and OUT NOT

#### OUTPUT – OUT

**Ladder Symbol**

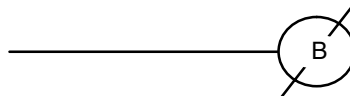


**Operand Data Areas**

<b>B: Bit</b>
IR, SR, AR, HR, TC, LR, TR

#### OUTPUT NOT – OUT NOT

**Ladder Symbol**



**Operand Data Areas**

<b>B: Bit</b>
IR, SR, AR, HR, TC, LR

**Limitations**

Any output bit can generally be used in only one instruction that controls its status. Refer to *3-3 IR Area* for details.

**Description**

OUT and OUT NOT are used to control the status of the designated bit according to the execution condition.

OUT turns ON the designated bit for an ON execution condition, and turns OFF the designated bit for an OFF execution condition. With a TR bit, OUT appears at a branching point rather than at the end of an instruction line. Refer to *4-6-7 Branching Instruction Lines* for details.

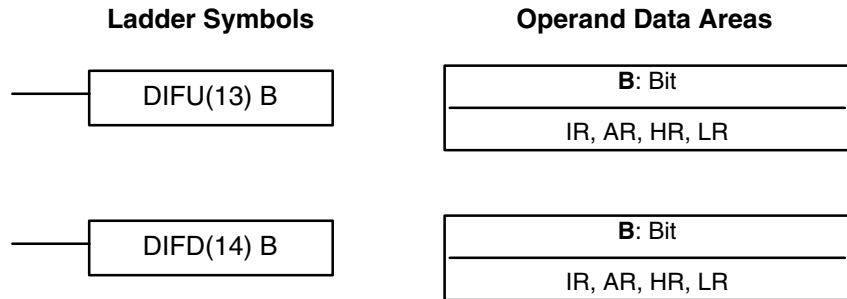
OUT NOT turns ON the designated bit for a OFF execution condition, and turns OFF the designated bit for an ON execution condition.

OUT and OUT NOT can be used to control execution by turning ON and OFF bits that are assigned to conditions on the ladder diagram, thus determining execution conditions for other instructions. This is particularly helpful and allows a complex set of conditions to be used to control the status of a single work bit, and then that work bit can be used to control other instructions.

The length of time that a bit is ON or OFF can be controlled by combining the OUT or OUT NOT with TIM. Refer to Examples under *5-12-1 TIMER – TIM* for details.

**Flags** There are no flags affected by these instructions.

### 5-7-2 DIFFERENTIATE UP and DOWN – DIFU(13) and DIFD(14)



**Limitations** Any output bit can generally be used in only one instruction that controls its status. Refer to 3-3 *IR Area* for details.

**Description** DIFU(13) and DIFD(14) are used to turn the designated bit ON for one cycle only.

Whenever executed, DIFU(13) compares its current execution with the previous execution condition. If the previous execution condition was OFF and the current one is ON, DIFU(13) will turn ON the designated bit. If the previous execution condition was ON and the current execution condition is either ON or OFF, DIFU(13) will either turn the designated bit OFF or leave it OFF (i.e., if the designated bit is already OFF). The designated bit will thus never be ON for longer than one cycle, assuming it is executed each cycle (see *Precautions*, below).

Whenever executed, DIFD(14) compares its current execution with the previous execution condition. If the previous execution condition was ON and the current one is OFF, DIFD(14) will turn ON the designated bit. If the previous execution condition was OFF and the current execution condition is either ON or OFF, DIFD(14) will either turn the designated bit OFF or leave it OFF. The designated bit will thus never be ON for longer than one cycle, assuming it is executed each cycle (see *Precautions*, below).

These instructions are used when differentiated instructions (i.e., those prefixed with an @) are not available and single-cycle execution of a particular instruction is desired. They can also be used with non-differentiated forms of instructions that have differentiated forms when their use will simplify programming. Examples of these are shown below.

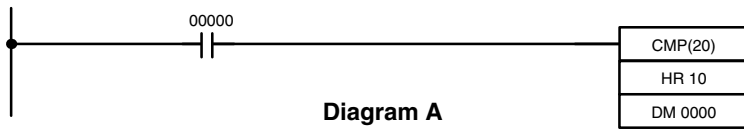
**Flags** There are no flags affected by these instructions.

**Precautions** DIFU(13) and DIFD(14) operation can be uncertain when the instructions are programmed between IL and ILC, between JMP and JME, or in subroutines. Refer to 5-8 *INTERLOCK and INTERLOCK CLEAR – IL(02) and ILC(03)*, 5-9 *JUMP and JUMP END – JMP(04) and JME(05)*, and 5-20 *Subroutines and Interrupt Control* for details.

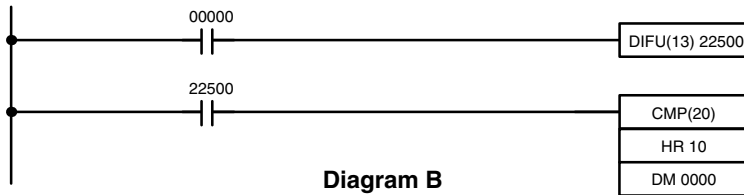
**Example 1:**  
**When There is No Differentiated Instruction**

In diagram A, below, whenever CMP(20) is executed with an ON execution condition it will compare the contents of the two operand words (HR 10 and DM 0000) and set the arithmetic flags (GR, EQ, and LE) accordingly. If the execution condition remains ON, flag status may be changed each cycle if the content of one or both operands change. Diagram B, however, is an ex-

ample of how DIFU(13) can be used to ensure that CMP(20) is executed only once each time the desired execution condition goes ON.



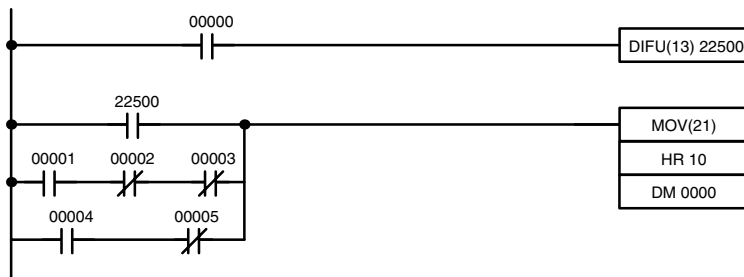
Address	Instruction	Operands
00000	LD	00000
00001	CMP(20)	
		HR 10
		DM 0000



Address	Instruction	Operands
00000	LD	00000
00001	DIFU(13)	22500
00002	LD	22500
00003	CMP(20)	
		HR 10
		DM 0000

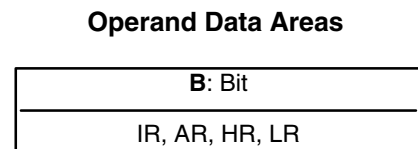
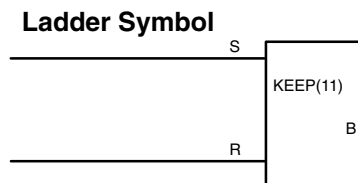
**Example 2: Simplifying Programming**

Although a differentiated form of MOV(21) is available, the following diagram would be very complicated to draw using it because only one of the conditions determining the execution condition for MOV(21) requires differentiated treatment.



Address	Instruction	Operands
00000	LD	00000
00001	DIFU(13)	22500
00002	LD	22500
00003	LD	00001
00004	AND NOT	00002
00005	AND NOT	00003
00006	OR LD	---
00007	LD	00004
00008	AND NOT	00005
00009	OR LD	---
00010	MOV(21)	
		HR 10
		DM 0000

**5-7-3 KEEP – KEEP(11)**



**Limitations**

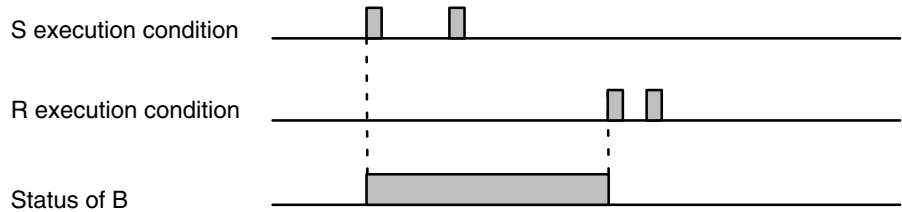
Any output bit can generally be used in only one instruction that controls its status. Refer to 3-3 IR Area for details.

**Description**

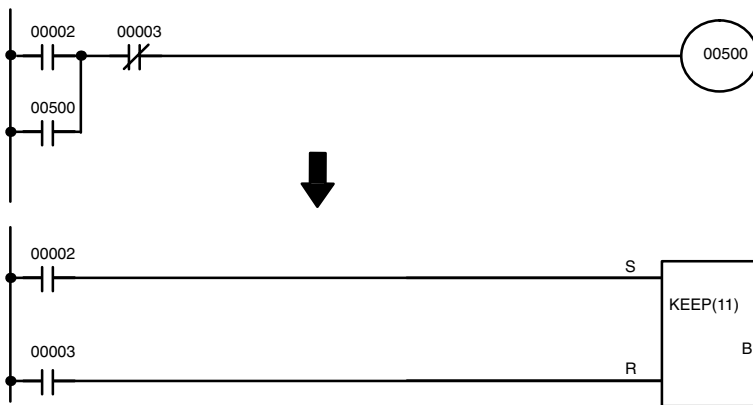
KEEP(11) is used to maintain the status of the designated bit based on two execution conditions. These execution conditions are labeled S and R. S is

the set input; R, the reset input. KEEP(11) operates like a latching relay that is set by S and reset by R.

When S turns ON, the designated bit will go ON and stay ON until reset, regardless of whether S stays ON or goes OFF. When R turns ON, the designated bit will go OFF and stay OFF until reset, regardless of whether R stays ON or goes OFF. The relationship between execution conditions and KEEP(11) bit status is shown below.



KEEP(11) operates like the self-maintaining bit described in 4-7-3 Self-maintaining Bits. The following two diagrams would function identically, though the one using KEEP(11) requires one less instruction to program and would maintain status even in an interlocked program section.



Address	Instruction	Operands
00000	LD	00002
00001	OR	00500
00002	AND NOT	00003
00003	OUT	00500

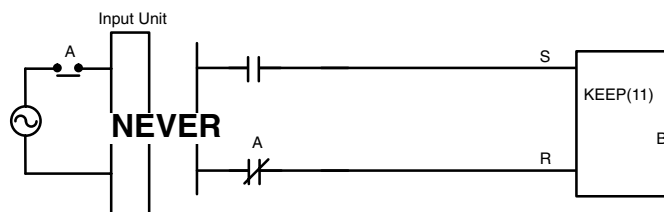
Address	Instruction	Operands
00000	LD	00002
00001	LD	00003
00002	KEEP(11)	00500

**Flags**

There are no flags affected by this instruction.

**Precautions**

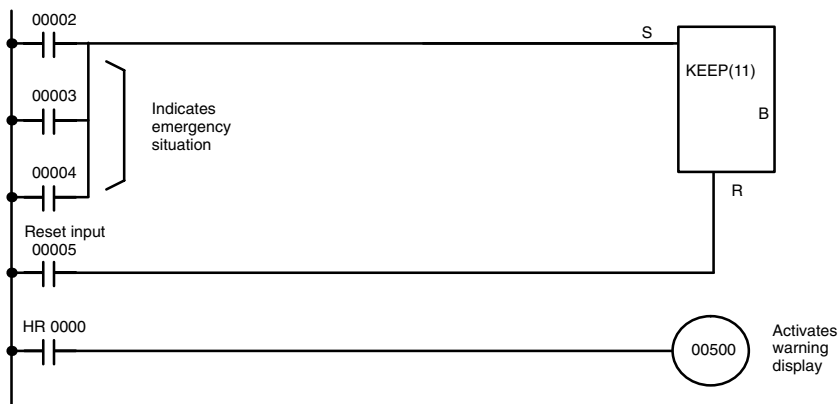
Exercise caution when using a KEEP reset line that is controlled by an external normally closed device. Never use an input bit in an inverse condition on the reset (R) for KEEP(11) when the input device uses an AC power supply. The delay in shutting down the PC's DC power supply (relative to the AC power supply to the input device) can cause the designated bit of KEEP(11) to be reset. This situation is shown below.



Bits used in KEEP are not reset in interlocks. Refer to the 5-8 INTERLOCK – and INTERLOCK CLEAR IL(02) and ILC(03) for details.

**Example**

If a HR bit or an AR bit is used, bit status will be retained even during a power interruption. KEEP(11) can thus be used to program bits that will maintain status after restarting the PC following a power interruption. An example of this that can be used to produce a warning display following a system shutdown for an emergency situation is shown below. Bits 00002, 00003, and 00004 would be turned ON to indicate some type of error. Bit 00005 would be turned ON to reset the warning display. HR 0000, which is turned ON when any one of the three bits indicates an emergency situation, is used to turn ON the warning indicator through 00500.

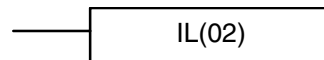


Address	Instruction	Operands
00000	LD	00002
00001	OR	00003
00002	OR	00004
00003	LD	00005
00004	KEEP(11)	HR 0000
00005	LD	HR 0000
00006	OUT	00500

KEEP(11) can also be combined with TIM to produce delays in turning bits ON and OFF. Refer to 5-12-1 *TIMER – TIM* for details.

## 5-8 INTERLOCK and INTERLOCK CLEAR – IL(02) and ILC(03)

Ladder Symbol



Ladder Symbol



**Description**

IL(02) is always used in conjunction with ILC(03) to create interlocks. Interlocks are used to enable branching in the same way as can be achieved with TR bits, but treatment of instructions between IL(02) and ILC(03) differs from that with TR bits when the execution condition for IL(02) is OFF. If the execution condition of IL(02) is ON, the program will be executed as written, with an ON execution condition used to start each instruction line from the point where IL(02) is located through the next ILC(03). Refer to 4-6-7 *Branching Instruction Lines* for basic descriptions of both methods.

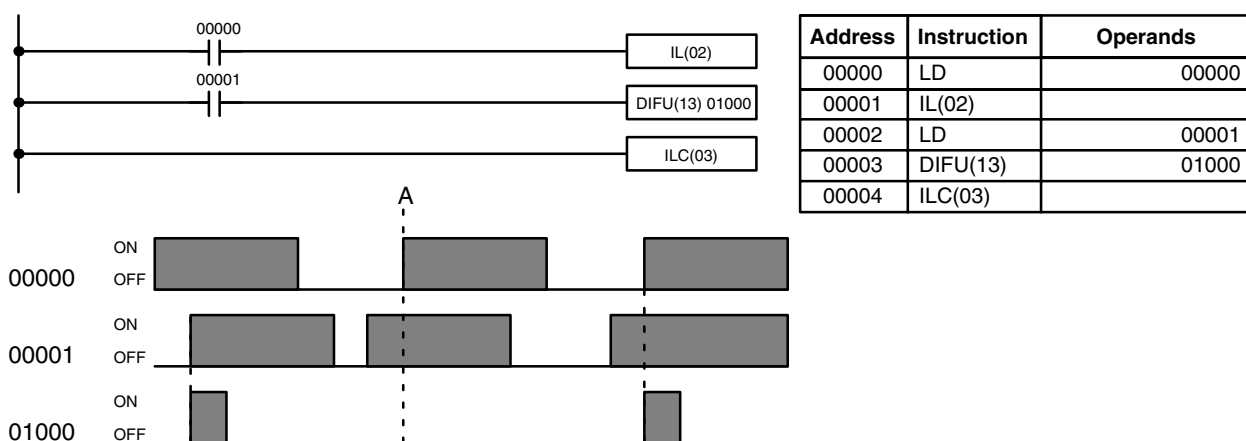
If the execution condition for IL(02) is OFF, the interlocked section between IL(02) and ILC(03) will be treated as shown in the following table:

Instruction	Treatment
OUT and OUT NOT	Designated bit turned OFF.
TIM and TIMH(15)	Reset.
CNT, CNTR(12)	PV maintained.
KEEP(11)	Bit status maintained.
DIFU(13) and DIFD(14)	Not executed (see below).
All others	Not executed.

IL(02) and ILC(03) do not necessarily have to be used in pairs. IL(02) can be used several times in a row, with each IL(02) creating an interlocked section through the next ILC(03). ILC(03) cannot be used unless there is at least one IL(02) between it and any previous ILC(03).

**DIFU(13) and DIFD(14) in Interlocks**

Changes in the execution condition for a DIFU(13) or DIFD(14) are not recorded if the DIFU(13) or DIFD(14) is in an interlocked section and the execution condition for the IL(02) is OFF. When DIFU(13) or DIFD(14) is execution in an interlocked section immediately after the execution condition for the IL(02) has gone ON, the execution condition for the DIFU(13) or DIFD(14) will be compared to the execution condition that existed before the interlock became effective (i.e., before the interlock condition for IL(02) went OFF). The ladder diagram and bit status changes for this are shown below. The interlock is in effect while 00000 is OFF. Notice that 01000 is not turned ON at the point labeled A even though 00001 has turned OFF and then back ON.



**Precautions**

There must be an ILC(03) following any one or more IL(02).

Although as many IL(02) instructions as are necessary can be used with one ILC(03), ILC(03) instructions cannot be used consecutively without at least one IL(02) in between, i.e., nesting is not possible. Whenever a ILC(03) is executed, all interlocks between the active ILC(03) and the preceding ILC(03) are cleared.

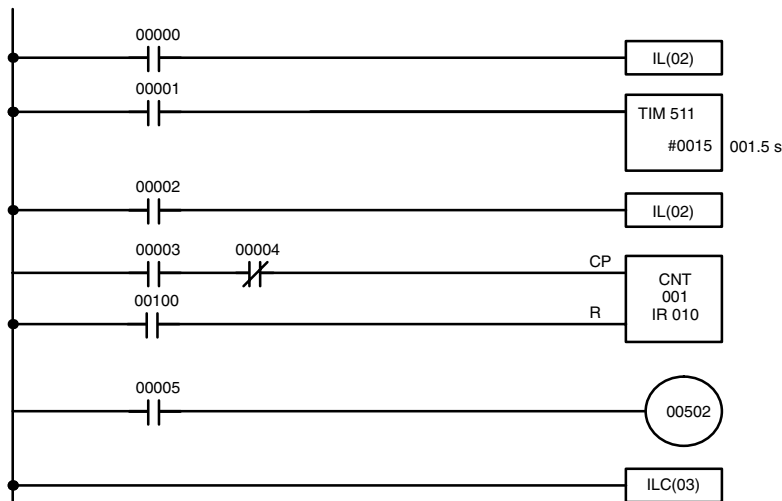
When more than one IL(02) is used with a single ILC(03), an error message will appear when the program check is performed, but execution will proceed normally.

**Flags**

There are no flags affected by these instructions.

**Example**

The following diagram shows IL(02) being used twice with one ILC(03).

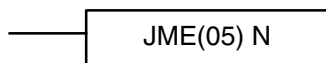
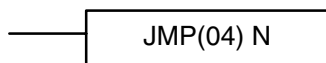


Address	Instruction	Operands
00000	LD	00000
00001	IL(02)	
00002	LD	00001
00003	TIM	511
		# 0015
00004	LD	00002
00005	IL(02)	
00006	LD	00003
00007	AND NOT	00004
00008	CNT	001
		010
00009	LD	00005
00010	OUT	00502
00011	ILC(03)	

When the execution condition for the first IL(02) is OFF, TIM 511 will be reset to 1.5 s, CNT 001 will not be changed, and 00502 will be turned OFF. When the execution condition for the first IL(02) is ON and the execution condition for the second IL(02) is OFF, TIM 511 will be executed according to the status of 00001, CNT 001 will not be changed, and 00502 will be turned OFF. When the execution conditions for both the IL(02) are ON, the program will execute as written.

## 5-9 JUMP and JUMP END – JMP(04) and JME(05)

**Ladder Symbols**



**Definer Values**

<b>N:</b> Jump number
# (00 to 99)

<b>N:</b> Jump number
# (00 to 99)

**Limitations**

Jump numbers 01 through 99 may be used only once in JMP(04) and once in JME(05), i.e., each can be used to define one jump only. Jump number 00 can be used as many times as desired.

**Description**

JMP(04) is always used in conjunction with JME(05) to create jumps, i.e., to skip from one point in a ladder diagram to another point. JMP(04) defines the point from which the jump will be made; JME(05) defines the destination of the jump. When the execution condition for JMP(04) is ON, no jump is made and the program is executed consecutively as written. When the execution condition for JMP(04) is OFF, a jump is made to the JME(05) with the same jump number and the instruction following JME(05) is executed next.

If the jump number for JMP(04) is between 01 and 99, jumps, when made, will go immediately to JME(05) with the same jump number without executing

any instructions in between. The status of timers, counters, bits used in OUT, bits used in OUT NOT, and all other status bits controlled by the instructions between JMP(04) and JME(05) will not be changed. Each of these jump numbers can be used to define only one jump. Because all of instructions between JMP(04) and JME(05) are skipped, jump numbers 01 through 99 can be used to reduce cycle time.

If the jump number for JMP(04) is 00, the CPU will look for the next JME(05) with a jump number of 00. To do so, it must search through the program, causing a longer cycle time (when the execution condition is OFF) than for other jumps. The status of timers, counters, bits used in OUT, bits used in OUT NOT, and all other status controlled by the instructions between JMP(04) 00 and JME(05) 00 will not be changed. jump number 00 can be used as many times as desired. A jump from JMP(04) 00 will always go to the next JME(05) 00 in the program. It is thus possible to use JMP(04) 00 consecutively and match them all with the same JME(05) 00. It makes no sense, however, to use JME(05) 00 consecutively, because all jumps made to them will end at the first JME(05) 00.

**DIFU(13) and DIFD(14) in Jumps**

Although DIFU(13) and DIFD(14) are designed to turn ON the designated bit for one cycle, they will not necessarily do so when written between JMP(04) and JMP (05). Once either DIFU(13) or DIFD(14) has turned ON a bit, it will remain ON until the next time DIFU(13) or DIFD(14) is executed again. In normal programming, this means the next cycle. In a jump, this means the next time the jump from JMP(04) to JME(05) is not made, i.e., if a bit is turned ON by DIFU(13) or DIFD(14) and then a jump is made in the next cycle so that DIFU(13) or DIFD(14) are skipped, the designated bit will remain ON until the next time the execution condition for the JMP(04) controlling the jump is ON.

**Precautions**

When JMP(04) and JME(05) are not used in pairs, an error message will appear when the program check is performed. Although this message also appears if JMP(04) 00 and JME(05) 00 are not used in pairs, the program will execute properly as written.

**Flags**

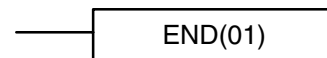
There are no flags affected by these instructions.

**Examples**

Examples of jump programs are provided in *4-6-8 Jumps*.

## 5-10 END – END(01)

**Ladder Symbol**



**Description**

END(01) is required as the last instruction in any program. If there are sub-routines, END(01) is placed after the last subroutine. No instruction written after END(01) will be executed. END(01) can be placed anywhere in the program to execute all instructions up to that point, as is sometimes done to debug a program, but it must be removed to execute the remainder of the program.

If there is no END(01) in the program, no instructions will be executed and the error message “NO END INST” will appear.

**Flags**

END(01) turns OFF the ER, CY, GR, EQ, and LE flags.



## 5-11 NO OPERATION – NOP(00)

**Description** NOP(00) is not generally required in programming and there is no ladder symbol for it. When NOP(00) is found in a program, nothing is executed and the program execution moves to the next instruction. When memory is cleared prior to programming, NOP(00) is written at all addresses. NOP(00) can be input through the 00 function code.

**Flags** There are no flags affected by NOP(00).

## 5-12 Timer and Counter Instructions

TIM and TIMH are decrementing ON-delay timer instructions which require a TC number and a set value (SV).

CNT is a decrementing counter instruction and CNTR is a reversible counter instruction. Both require a TC number and a SV. Both are also connected to multiple instruction lines which serve as an input signal(s) and a reset.

Any one TC number cannot be defined twice, i.e., once it has been used as the definer in any of the timer or counter instructions, it cannot be used again. Once defined, TC numbers can be used as many times as required as operands in instructions other than timer and counter instructions.

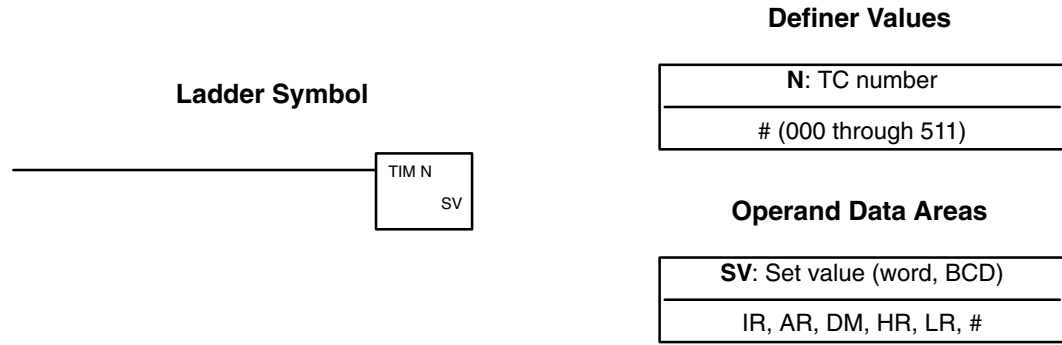
TC numbers run from 000 through 511. No prefix is required when using a TC number as a definer in a timer or counter instruction. Once defined as a timer, a TC number can be prefixed with TIM for use as an operand in certain instructions. The TIM prefix is used regardless of the timer instruction that was used to define the timer. Once defined as a counter, a TC number can be prefixed with CNT for use as an operand in certain instructions. The CNT is also used regardless of the counter instruction that was used to define the counter.

TC numbers can be designated as operands that require either bit or word data. When designated as an operand that requires bit data, the TC number accesses a bit that functions as a 'Completion Flag' that indicates when the time/count has expired, i.e., the bit, which is normally OFF, will turn ON when the designated SV has expired. When designated as an operand that requires word data, the TC number accesses a memory location that holds the present value (PV) of the timer or counter. The PV of a timer or counter can thus be used as an operand in CMP(20), or any other instruction for which the TC area is allowed. This is done by designating the TC number used to define that timer or counter to access the memory location that holds the PV.

Note that "TIM 000" is used to designate the TIMER instruction defined with TC number 000, to designate the Completion Flag for this timer, and to designate the PV of this timer. The meaning of the term in context should be clear, i.e., the first is always an instruction, the second is always a bit operand, and the third is always a word operand. The same is true of all other TC numbers prefixed with TIM or CNT.

An SV can be input as a constant or as a word address in a data area. If an IR area word assigned to an Input Unit is designated as the word address, the Input Unit can be wired so that the SV can be set externally through thumbwheel switches or similar devices. Timers and counters wired in this way can only be set externally during RUN or MONITOR mode. All SVs, including those set externally, must be in BCD.

5-12-1 TIMER – TIM



**Limitations**

SV is between 000.0 and 999.9. The decimal point is not entered.

The SV of the timers can be set in the range #0000 to #9999 (BCD). If the SV for a timer is set to #0000 or #0001, it will operate in the following way. If the SV is set to #0000, when the timer input goes from OFF to ON, the Completion Flag will turn ON. If the SV is set to #0001, because the timer accuracy is 0 to -0.1 s, the actual time will be a value between 0 and 0.1 s, and the Completion Flag may turn ON as soon as the timer input goes from OFF to ON. With other values also, allow for a timer accuracy of 0 to -0.1 s when setting the SV.

Each TC number can be used as the definer in only one TIMER or COUNTER instruction.

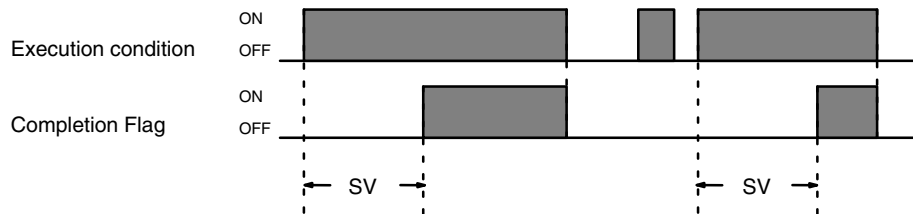
TC 000 through TC 015 should not be used in TIM if they are required for TIMH(15). Refer to 5-12-2 HIGH-SPEED TIMER – TIMH(15) for details.

**Description**

A timer is activated when its execution condition goes ON and is reset (to SV) when the execution condition goes OFF. Once activated, TIM measures in units of 0.1 second from the SV.

If the execution condition remains ON long enough for TIM to time down to zero, the Completion Flag for the TC number used will turn ON and will remain ON until TIM is reset (i.e., until its execution condition is goes OFF).

The following figure illustrates the relationship between the execution condition for TIM and the Completion Flag assigned to it.



**Precautions**

Timers in interlocked program sections are reset when the execution condition for IL(02) is OFF. Power interruptions also reset timers. If a timer that is not reset under these conditions is desired, SR area clock pulse bits can be counted to produce timers using CNT. Refer to 5-12-3 Counter – CNT for details.

Program execution will continue even if a non-BCD SV is used, but timing will not be accurate.

**Flags**

**ER:** SV is not in BCD.

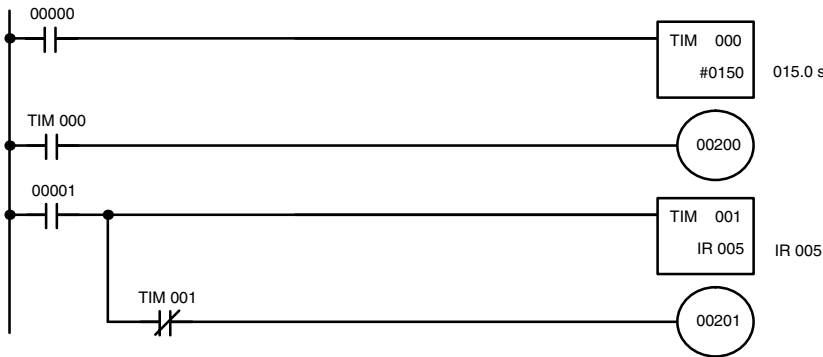
Indirectly addressed DM word is non-existent. (Content of \*DM word is not BCD, or the DM area boundary has been exceeded.)

**Examples**

All of the following examples use OUT in diagrams that would generally be used to control output bits in the IR area. There is no reason, however, why these diagrams cannot be modified to control execution of other instructions.

**Example 1:  
Basic Application**

The following example shows two timers, one set with a constant and one set via input word 005. Here, 00200 will be turned ON after 00000 goes ON and stays ON for at least 15 seconds. When 00000 goes OFF, the timer will be reset and 00200 will be turned OFF. When 00001 goes ON, TIM 001 is started from the SV provided through IR word 005. Bit 00201 is also turned ON when 00001 goes ON. When the SV in 005 has expired, 00201 is turned OFF. This bit will also be turned OFF when TIM 001 is reset, regardless of whether or not SV has expired.



Address	Instruction	Operands
00000	LD	00000
00001	TIM	000
		# 0150
00002	LD	TIM 000
00003	OUT	00200
00004	LD	00001
00005	TIM	001
		005
00006	AND NOT	TIM 001
00007	OUT	00200

**Example 2:  
Extended Timers**

There are two ways to achieve timers that operate for longer than 999.9 seconds. One method is to program consecutive timers, with the Completion Flag of each timer used to activate the next timer. A simple example with two 900.0-second (15-minute) timers combined to functionally form a 30-minute timer.



Address	Instruction	Operands
00000	LD	00000
00001	TIM	001
		# 9000
00002	LD	TIM 001
00003	TIM	002
		# 9000
00004	LD	TIM 002
00005	OUT	00200

In this example, 00200 will be turned ON 30 minutes after 00000 goes ON.

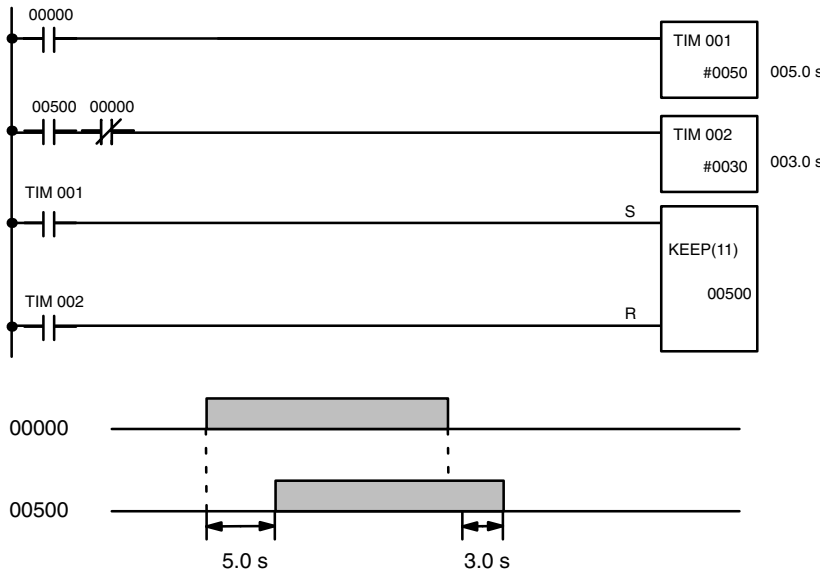
TIM can also be combined with CNT or CNT can be used to count SR area clock pulse bits to produce longer timers. An example is provided in 5-12-3 COUNTER – CNT.

**Example 3:  
ON/OFF Delays**

TIM can be combined with KEEP(11) to delay turning a bit ON and OFF in reference to a desired execution condition. KEEP(11) is described in 5-7-3 KEEP – KEEP(11).

To create delays, the Completion Flags for two TIM are used to determine the execution conditions for setting and reset the bit designated for KEEP(11). The bit whose manipulation is to be delayed is used in KEEP(11). Turning ON and OFF the bit designated for KEEP(11) is thus delayed by the SV for the two TIM. The two SV could naturally be the same if desired.

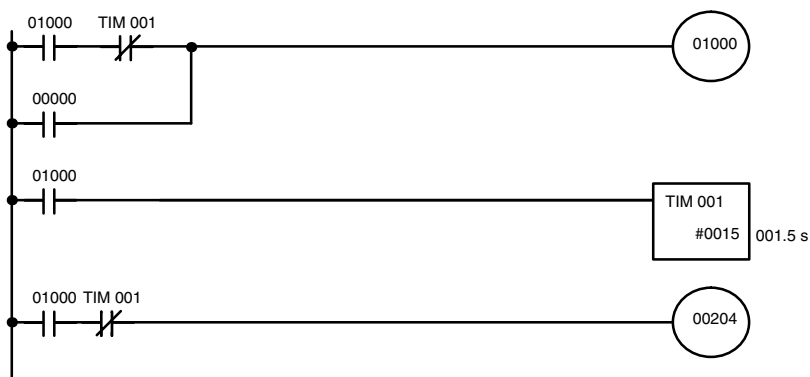
In the following example, 00500 would be turned ON 5.0 seconds after 00000 goes ON and then turned OFF 3.0 seconds after 00000 goes OFF. It is necessary to use both 00500 and 00000 to determine the execution condition for TIM 002; 00000 in an inverse condition is necessary to reset TIM 002 when 00000 goes ON and 00500 is necessary to activate TIM 002 (when 00000 is OFF).



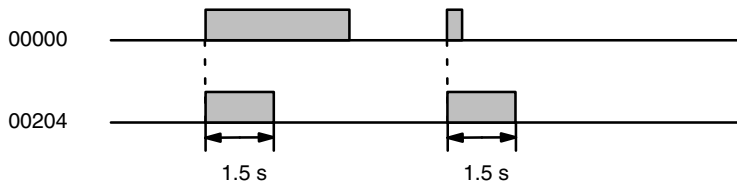
Address	Instruction	Operands
00000	LD	00000
00001	TIM	001
		# 0050
00002	LD	00500
00003	AND NOT	00000
00004	TIM	002
		# 0030
00005	LD	TIM 001
00006	LD	TIM 002
00007	KEEP(11)	00500

**Example 4:  
One-Shot Bits**

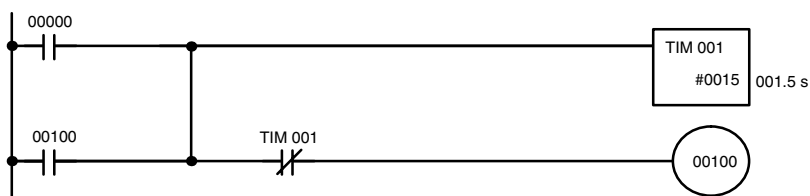
The length of time that a bit is kept ON or OFF can be controlled by combining TIM with OUT or OUT NO. The following diagram demonstrates how this is possible. In this example, 00204 would remain ON for 1.5 seconds after 00000 goes ON regardless of the time 00000 stays ON. This is achieved by using 01000 as a self-maintaining bit activated by 00000 and turning ON 00204 through it. When TIM 001 comes ON (i.e., when the SV of TIM 001 has expired), 00204 will be turned OFF through TIM 001 (i.e., TIM 001 will turn ON which, as an inverse condition, creates an OFF execution condition for OUT 00204).



Address	Instruction	Operands
00000	LD	01000
00001	AND NOT	TIM 001
00002	OR	00000
00003	OUT	01000
00004	LD	01000
00005	TIM	001
		# 0015
00006	LD	01000
00007	AND NOT	TIM 001
00008	OUT	00204



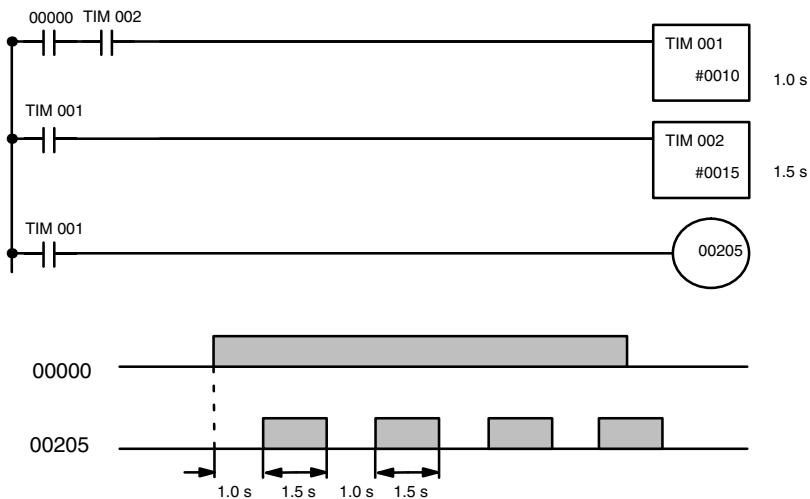
The following one-shot timer may be used to save memory.



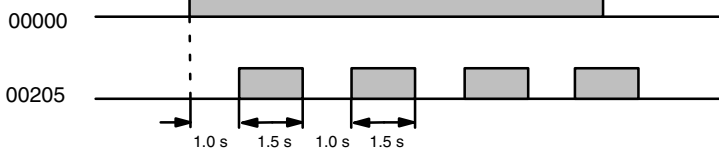
Address	Instruction	Operands
00000	LD	00000
00001	OR	00100
00002	TIM	001
		# 0015
00003	AND NOT	TIM 001
00004	OUT	00100

**Example 5:  
Flicker Bits**

Bits can be programmed to turn ON and OFF at regular intervals while a designated execution condition is ON by using TIM twice. One TIM functions to turn ON and OFF a specified bit, i.e., the Completion Flag of this TIM turns the specified bit ON and OFF. The other TIM functions to control the operation of the first TIM, i.e., when the first TIM's Completion Flag goes ON, the second TIM is started and when the second TIM's Completion Flag goes ON, the first TIM is started.

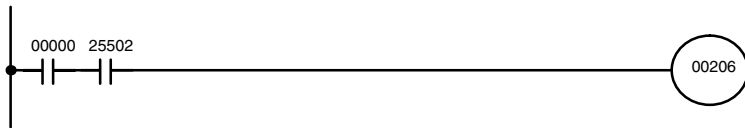


Address	Instruction	Operands
00000	LD	00000
00001	AND	TIM 002
00002	TIM	001
		# 0010
00003	LD	TIM 001
00004	TIM	002
		# 0015
00005	LD	TIM 001
00006	OUT	00205



A simpler but less flexible method of creating a flicker bit is to AND one of the SR area clock pulse bits with the execution condition that is to be ON when the flicker bit is operating. Although this method does not use TIM, it is included here for comparison. This method is more limited because the ON and OFF times must be the same and they depend on the clock pulse bits available in the SR area.

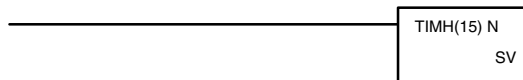
In the following example the 1-second clock pulse is used (25502) so that 00206 would be turned ON and OFF every second, i.e., it would be ON for 0.5 seconds and OFF for 0.5 seconds. Precise timing and the initial status of 00206 would depend on the status of the clock pulse when 00000 goes ON.



Address	Instruction	Operands
00000	LD	00000
00001	LD	25502
00002	OUT	00206

### 5-12-2 HIGH-SPEED TIMER – TIMH(15)

#### Ladder Symbol



#### Definer Values

<b>N:</b> TC number
# (000 through 015 preferred)

#### Operand Data Areas

<b>SV:</b> Set value (word, BCD)
IR, AR, DM, HR, LR, #

#### Limitations

SV is between 00.00 and 99.99. (Although 00.00 and 00.01 may be set, 00.00 will disable the timer, i.e., turn ON the Completion Flag immediately, and 00.01 is not reliably cycled.) The decimal point is not entered.

Each TC number can be used as the definer in only one TIMER or COUNTER instruction.

TC 000 through TC 047 must be used to ensure accuracy if the cycle time is greater than 10 ms.

#### Description

TIMH(15) operates in the same way as TIM except that TIMH measures in units of 0.01 second.

The cycle time affects TIMH(15) accuracy if TC 016 through TC 511 are used. If the cycle time is greater than 10 ms, use TC 000 through TC 015.

Refer to 5-12-1 *TIMER – TIM* for operational details and examples. Except for the above, and all aspects of operation are the same.

#### Precautions

Timers in interlocked program sections are reset when the execution condition for IL(02) is OFF. Power interruptions also reset timers. If a timer that is not reset under these conditions is desired, SR area clock pulse bits can be counted to produce timers using CNT. Refer to 5-12-3 *COUNTER – CNT* for details.

Program execution will continue even if a non-BCD SV is used, but timing will not be accurate.

The SV of the timers can be set in the range #0000 to #9999 (BCD). If the SV for a timer is set to #0000 or #0001, it will operate in the following way. If the SV is set to #0000, when the timer input goes from OFF to ON, the Completion Flag will turn ON. There may be a time delay if TC 000 to TC 003 are used. If the SV is set to #0001, because the timer accuracy is 0 to -0.1 s, the actual time will be a value between 0 and 0.1 s, and the Completion Flag may turn ON as soon as the timer input goes from OFF to ON. With other values also, allow for a timer accuracy of 0 to -0.1 s when setting the SV.

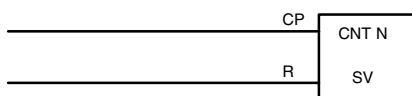
**Flags**

**ER:** SV is not in BCD.

Indirectly addressed DM word is non-existent. (Content of \*DM word is not BCD, or the DM area boundary has been exceeded.)

**5-12-3 COUNTER – CNT**

**Ladder Symbol**



**Definer Values**

<b>N:</b> TC number
# (000 through 511)

**Operand Data Areas**

<b>SV:</b> Set value (word, BCD)
IR, AR, DM, HR, LR, #

**Limitations**

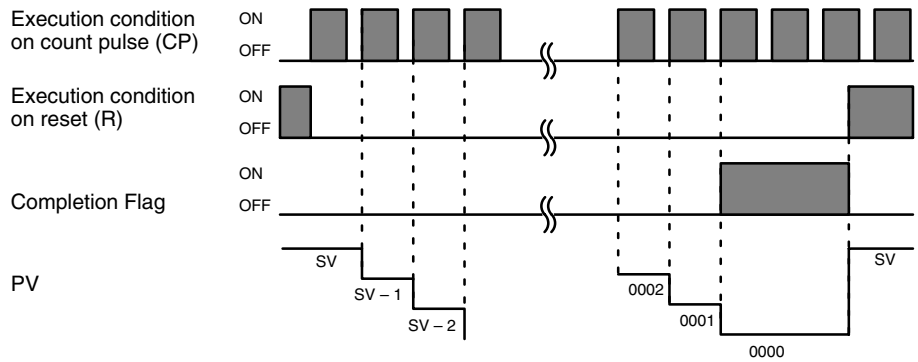
Each TC number can be used as the definer in only one TIMER or COUNTER instruction.

**Description**

CNT is used to count down from SV when the execution condition on the count pulse, CP, goes from OFF to ON, i.e., the present value (PV) will be decremented by one whenever CNT is executed with an ON execution condition for CP and the execution condition was OFF for the last execution. If the execution condition has not changed or has changed from ON to OFF, the PV of CNT will not be changed. The Completion Flag for a counter is turned ON when the PV reaches zero and will remain ON until the counter is reset.

CNT is reset with a reset input, R. When R goes from OFF to ON, the PV is reset to SV. The PV will not be decremented while R is ON. Counting down from SV will begin again when R goes OFF. The PV for CNT will not be reset in interlocked program sections or by power interruptions.

Changes in execution conditions, the Completion Flag, and the PV are illustrated below. PV line height is meant only to indicate changes in the PV.



**Precautions**

Program execution will continue even if a non-BCD SV is used, but the SV will not be correct.

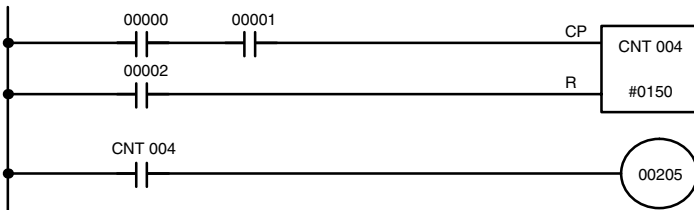
**Flags**

**ER:** SV is not in BCD.

Indirectly addressed DM word is non-existent. (Content of \*DM word is not BCD, or the DM area boundary has been exceeded.)

**Example 1:  
Basic Application**

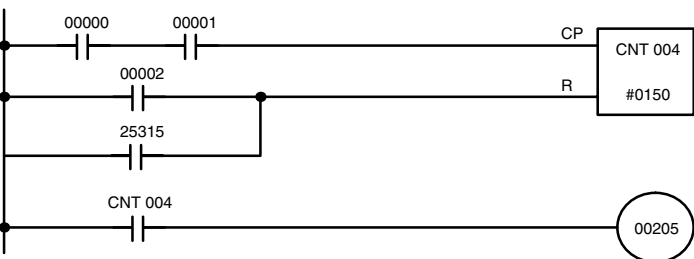
In the following example, the PV will be decremented whenever both 00000 and 00001 are ON provided that 00002 is OFF and either 00000 or 00001 was OFF the last time CNT 004 was executed. When 150 pulses have been counted down (i.e., when PV reaches zero), 00205 will be turned ON.



Address	Instruction	Operands
00000	LD	00000
00001	AND	00001
00002	LD	00002
00003	CNT	0004
		# 0150
00004	LD	CNT 004
00005	OUT	00205

Here, 00000 can be used to control when CNT is operative and 00001 can be used as the bit whose OFF to ON changes are being counted.

The above CNT can be modified to restart from SV each time power is turned ON to the PC. This is done by using the First Cycle Flag in the SR area (25315) to reset CNT as shown below.



Address	Instruction	Operands
00000	LD	00000
00001	AND	00001
00002	LD	00002
00003	OR	25315
00004	CNT	004
		# 0150
00005	LD	CNT 004
00006	OUT	00205

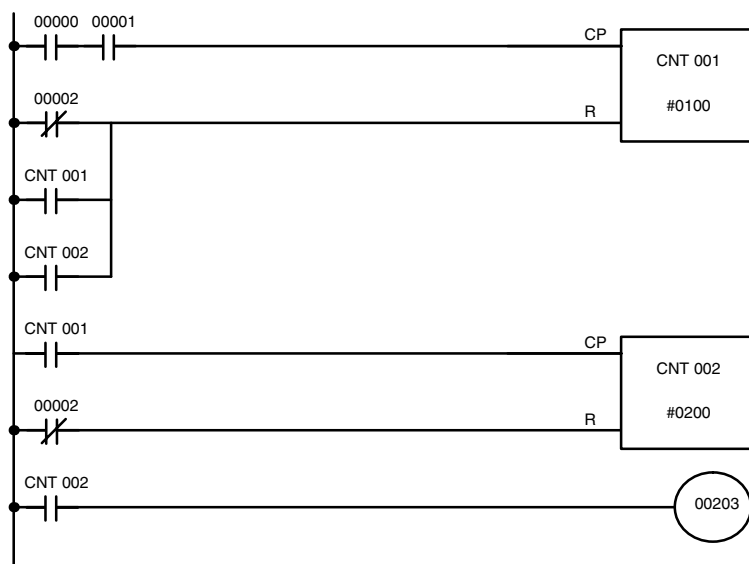
**Example 2:  
Extended Counter**

Counters that can count past 9,999 can be programmed by using one CNT to count the number of times another CNT has counted to zero from SV.



In the following example, 00000 is used to control when CNT 001 operates. CNT 001, when 00000 is ON, counts down the number of OFF to ON changes in 00001. CNT 001 is reset by its Completion Flag, i.e., it starts counting again as soon as its PV reaches zero. CNT 002 counts the number of times the Completion Flag for CNT 001 goes ON. Bit 00002 serves as a reset for the entire extended counter, resetting both CNT 001 and CNT 002 when it is OFF. The Completion Flag for CNT 002 is also used to reset CNT 001 to inhibit CNT 001 operation, once SV for CNT 002 has been reached, until the entire extended counter is reset via 00002.

Because in this example the SV for CNT 001 is 100 and the SV for CNT 002 is 200, the Completion Flag for CNT 002 turns ON when 100 x 200 or 20,000 OFF to ON changes have been counted in 00001. This would result in 00203 being turned ON.



Address	Instruction	Operands
00000	LD	00000
00001	AND	00001
00002	LD NOT	00002
00003	OR	CNT 001
00004	OR	CNT 002
00005	CNT	001
		# 0100
00006	LD	CNT 001
00007	LD NOT	00002
00008	CNT	002
		# 0200
00009	LD	CNT 002
00010	OUT	00203

CNT can be used in sequence as many times as required to produce counters capable of counting any desired values.

**Example 3:  
Extended Timers**

CNT can be used to create extended timers in two ways: by combining TIM with CNT and by counting SR area clock pulse bits.

In the following example, CNT 002 counts the number of times TIM 001 reaches zero from its SV. The Completion Flag for TIM 001 is used to reset TIM 001 so that it runs continuously and CNT 002 counts the number of times the Completion Flag for TIM 001 goes ON (CNT 002 would be executed once each time between when the Completion Flag for TIM 001 goes ON and TIM 001 is reset by its Completion Flag). TIM 001 is also reset by the Completion Flag for CNT 002 so that the extended timer would not start again until CNT 002 was reset by 00001, which serves as the reset for the entire extended timer.

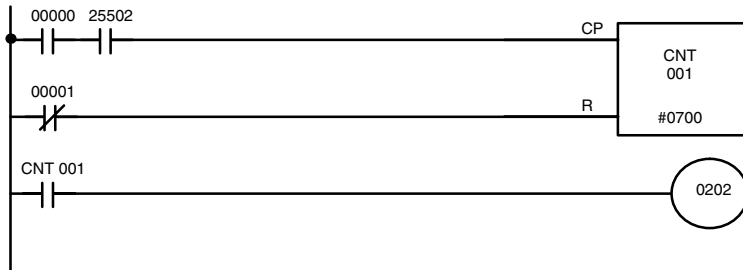
Because in this example the SV for TIM 001 is 5.0 seconds and the SV for CNT 002 is 100, the Completion Flag for CNT 002 turns ON when 5 seconds x 100 times, i.e., 500 seconds (or 8 minutes and 20 seconds) have expired. This would result in 00201 being turned ON.



Address	Instruction	Operands
00000	LD	00000
00001	AND NOT	TIM 001
00002	AND NOT	CNT 002
00003	TIM	001
		# 0050
00004	LD	TIM 001
00005	LD	00001
00006	CNT	002
		# 0100
00007	LD	CNT 002
00008	OUT	00201

In the following example, CNT 001 counts the number of times the 1-second clock pulse bit (25502) goes from OFF to ON. Here again, 00000 is used to control the times when CNT is operating.

Because in this example the SV for CNT 001 is 700, the Completion Flag for CNT 002 turns ON when 1 second x 700 times, or 11 minutes and 40 seconds have expired. This would result in 00202 being turned ON.

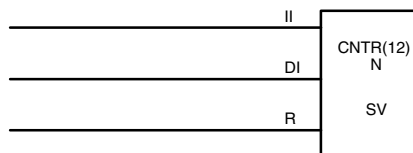


Address	Instruction	Operands
00000	LD	00000
00001	AND	25502
00002	LD NOT	00001
00003	CNT	001
		# 0700
00004	LD	CNT 001
00005	OUT	00202

**Caution** The shorter clock pulses will not necessarily produce accurate timers because their short ON times might not be read accurately during longer cycles. In particular, the 0.02-second and 0.1-second clock pulses should not be used to create timers with CNT instructions.

### 5-12-4 REVERSIBLE COUNTER – CNTR(12)

#### Ladder Symbol



#### Definer Values

<b>N:</b> TC number
# (000 through 511)

#### Operand Data Areas

<b>SV:</b> Set value (word, BCD)
IR, AR, DM, HR, LR, #

#### Limitations

Each TC number can be used as the definer in only one TIMER or COUNTER instruction.

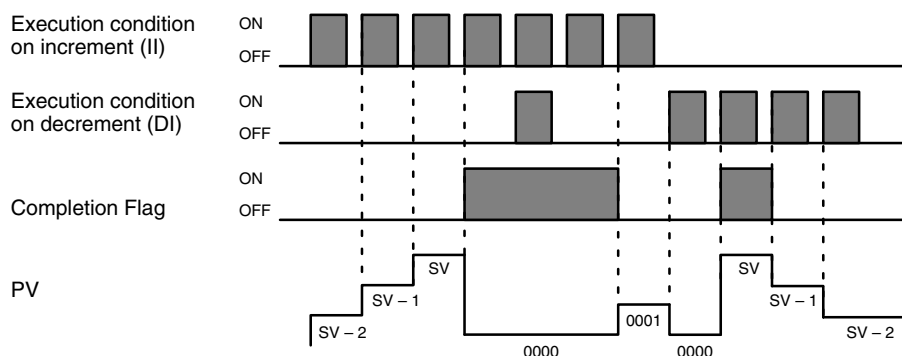
#### Description

The CNTR(12) is a reversible, up/down circular counter, i.e., it is used to count between zero and SV according to changes in two execution conditions, those in the increment input (II) and those in the decrement input (DI).

The present value (PV) will be incremented by one whenever CNTR(12) is executed with an ON execution condition for II and the last execution condition for II was OFF. The present value (PV) will be decremented by one whenever CNTR(12) is executed with an ON execution condition for DI and the last execution condition for DI was OFF. If OFF to ON changes have occurred in both II and DI since the last execution, the PV will not be changed. If the execution conditions have not changed or have changed from ON to OFF for both II and DI, the PV of CNT will not be changed.

When decremented from 0000, the present value is set to SV and the Completion Flag is turned ON until the PV is decremented again. When incremented past the SV, the PV is set to 0000 and the Completion Flag is turned ON until the PV is incremented again. CNTR(12) is reset with a reset input, R. When R goes from OFF to ON, the PV is reset to zero. The PV will not be incremented or decremented while R is ON. Counting will begin again when R goes OFF. The PV for CNTR(12) will not be reset in interlocked program sections or by the effects of power interruptions.

Changes in II and DI execution conditions, the Completion Flag, and the PV are illustrated below starting from part way through CNTR(12) operation (i.e., when reset, counting begins from zero). PV line height is meant to indicate changes in the PV only.



**Precautions**

Program execution will continue even if a non-BCD SV is used, but the SV will not be correct.

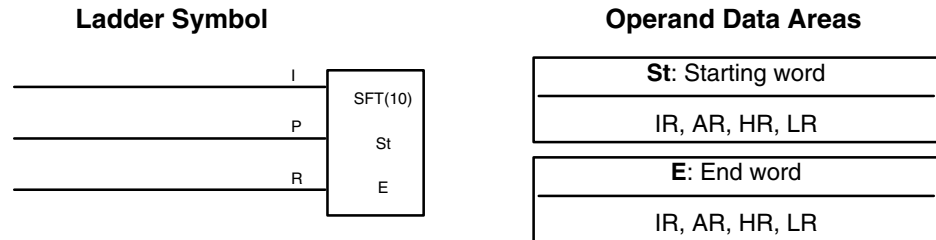
**Flags**

- ER:** SV is not in BCD.  
Indirectly addressed DM word is non-existent. (Content of \*DM word is not BCD, or the DM area boundary has been exceeded.)

## 5-13 Data Shifting

All of the instructions described in this section are used to shift data, but in differing amounts and directions. The first shift instruction, SFT(10), shifts an execution condition into a shift register; the rest of the instructions shift data that is already in memory.

### 5-13-1 SHIFT REGISTER – SFT(10)



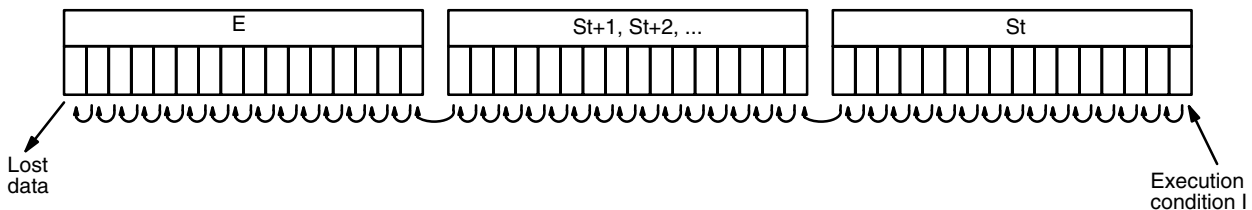
#### Limitations

E must be greater than or equal to St, and St and E must be in the same data area.

If a bit address in one of the words used in a shift register is also used in an instruction that controls individual bit status (e.g., OUT, KEEP(11)), an error (“COIL DUPL”) will be generated when program syntax is checked on the Programming Console or another Programming Device. The program, however, will be executed as written. See *Example 2: Controlling Bits in Shift Registers* for a programming example that does this.

#### Description

SFT(10) is controlled by three execution conditions, I, P, and R. If SFT(10) is executed and 1) execution condition P is ON and was OFF the last execution, and 2) R is OFF, then execution condition I is shifted into the rightmost bit of a shift register defined between St and E, i.e., if I is ON, a 1 is shifted into the register; if I is OFF, a 0 is shifted in. When I is shifted into the register, all bits previously in the register are shifted to the left and the leftmost bit of the register is lost.



The execution condition on P functions like a differentiated instruction, i.e., I will be shifted into the register only when P is ON and was OFF the last time SFT(10) was executed. If execution condition P has not changed or has gone from ON to OFF, the shift register will remain unaffected.

St designates the rightmost word of the shift register; E designates the leftmost. The shift register includes both of these words and all words between them. The same word may be designated for St and E to create a 16-bit (i.e., 1-word) shift register.

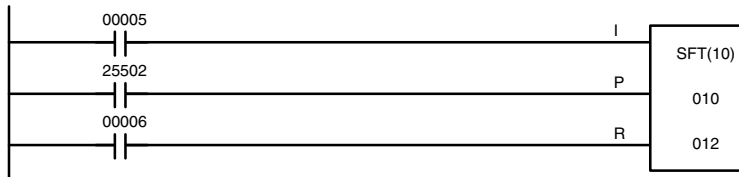
When execution condition R goes ON, all bits in the shift register will be turned OFF (i.e., set to 0) and the shift register will not operate until R goes OFF again.

#### Flags

There are no flags affected by SFT(10).

**Example 1:  
Basic Application**

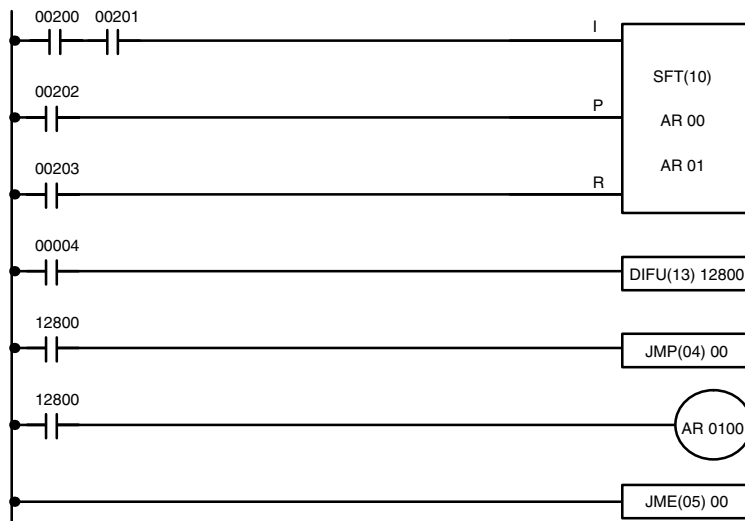
The following example uses the 1-second clock pulse bit (25502) so that the execution condition produced by 00005 is shifted into a 3-word register between IR 010 and IR 012 every second.



Address	Instruction	Operands
00000	LD	00005
00001	LD	25502
00002	LD	00006
00003	SFT(10)	
		010
		012

**Example 2:  
Controlling Bits in Shift Registers**

The following program is used to control the status of the 17th bit of a shift register running from AR 00 through AR 01. When the 17th bit is to be set, 00004 is turned ON. This causes the jump for JMP(04) 00 not to be made for that one cycle, and AR 0100 (the 17th bit) will be turned ON. When 12800 is OFF (i.e., at all times except during the first cycle after 00004 has changed from OFF to ON), the jump is executed and the status of AR 0100 will not be changed.



Address	Instruction	Operands
00000	LD	00200
00001	AND	00201
00002	LD	00202
00003	LD	00203
00004	SFT(10)	
		AR 00
		AR 01
00005	LD	00004
00006	DIFU(13)	12800
00007	LD	12800
00008	JMP(04)	00
00009	LD	12800
00010	OUT	AR 0100
00011	JME(05)	00

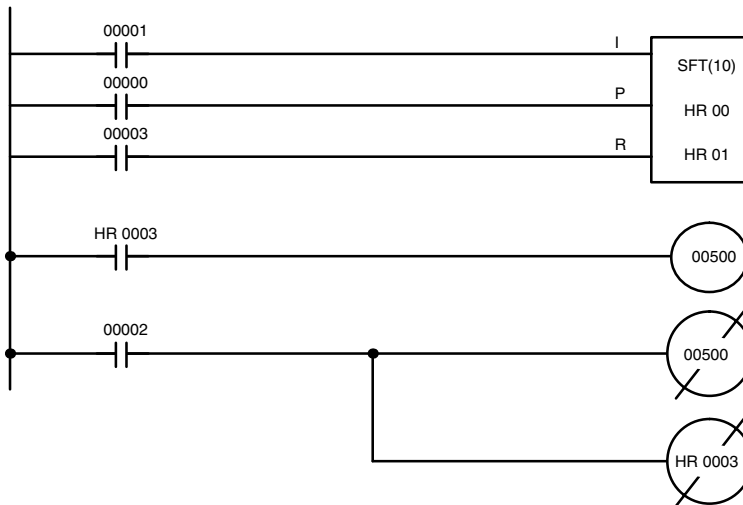
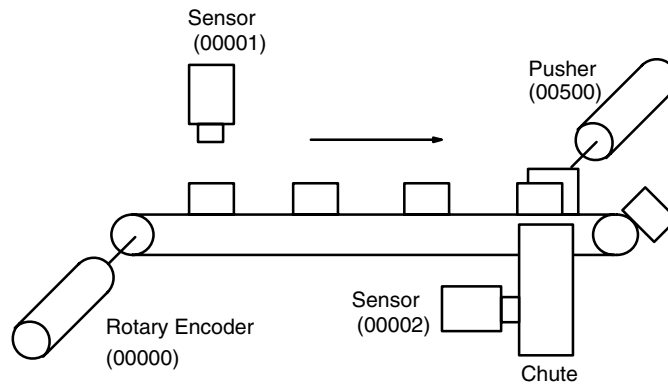
When a bit that is part of a shift register is used in OUT (or any other instruction that controls bit status), a syntax error will be generated during the program check, but the program will executed properly (i.e., as written).

**Example 3:  
Control Action**

The following program controls the conveyor line shown below so that faulty products detected at the sensor are pushed down a shoot. To do this, the execution condition determined by inputs from the first sensor (00001) are stored in a shift register: ON for good products; OFF for faulty ones. Conveyor speed has been adjusted so that HR 0003 of the shift register can be used to activate a pusher (00500) when a faulty product reaches it, i.e., when HR 0003 turns ON, 00500 is turned ON to activate the pusher.

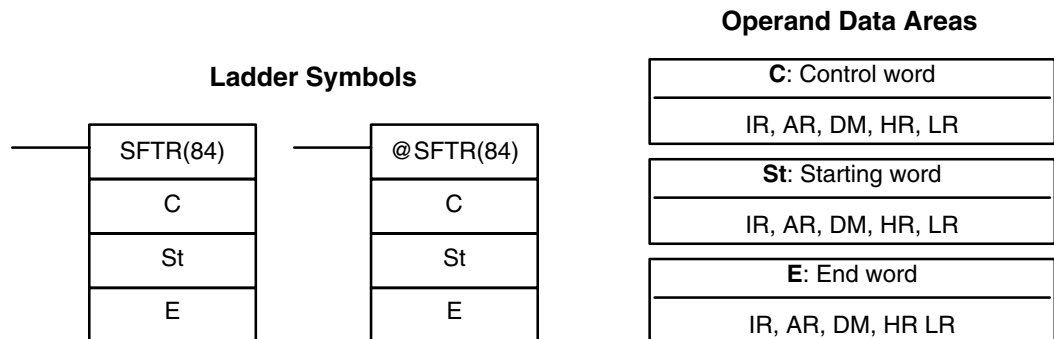
The program is set up so that a rotary encoder (00000) controls execution of SFT(10) through a DIFU(13), the rotary encoder is set up to turn ON and OFF each time a product passes the first sensor. Another sensor (00002) is

used to detect faulty products in the shoot so that the pusher output and HR 0003 of the shift register can be reset as required.



Address	Instruction	Operands
00000	LD	00001
00001	LD	00000
00002	LD	00003
00003	SFT(10)	
		HR 00
		HR 01
00004	LD	HR 0003
00005	OUT	00500
00006	LD	00002
00007	OUT NOT	00500
00008	OUT NOT	HR 0003

### 5-13-2 REVERSIBLE SHIFT REGISTER – SFTR(84)



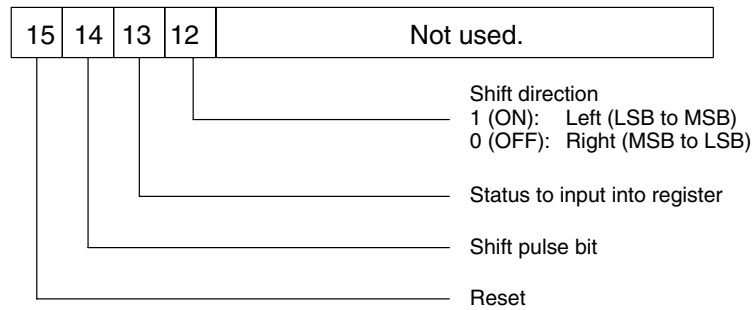
**Limitations**

St and E must be in the same data area and St must be less than or equal to E.

**Description**

SFTR(84) is used to create a single- or multiple-word shift register that can shift data to either the right or the left. To create a single-word register, designate the same word for St and E. The control word provides the shift direc-

tion, the status to be put into the register, the shift pulse, and the reset input. The control word is allocated as follows:



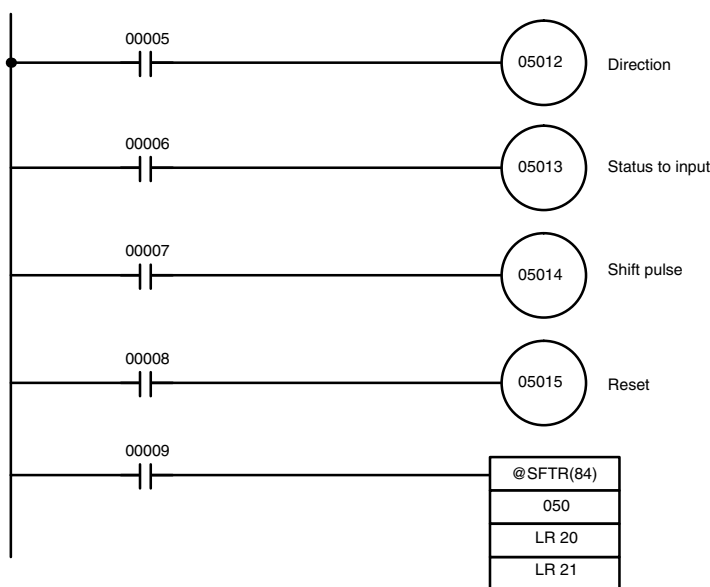
The data in the shift register will be shifted one bit in the direction indicated by bit 12, shifting one bit out to CY and the status of bit 13 into the other end whenever SFTR(84) is executed with an ON execution condition as long as the reset bit is OFF and as long as bit 14 is ON. If SFTR(84) is executed with an OFF execution condition or if SFTR(84) is executed with bit 14 OFF, the shift register will remain unchanged. If SFTR(84) is executed with an ON execution condition and the reset bit (bit 15) is OFF, the entire shift register and CY will be set to zero.

**Flags**

- ER:** St and E are not in the same data area or ST is greater than E. Indirectly addressed DM word is non-existent. (Content of \*DM word is not BCD, or the DM area boundary has been exceeded.)
- CY:** Receives the status of bit 00 of St or bit 15 of E, depending on the shift direction.

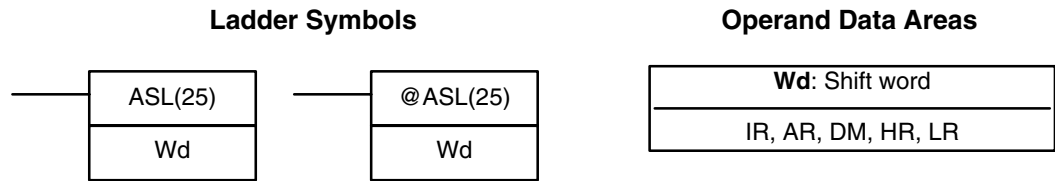
**Example**

In the following example, IR 00005, IR 00006, IR 00007, and IR 00008 are used to control the bits of C used in @SHIFT(84). The shift register is between LR 20 and LR 21, and it is controlled through IR 00009.



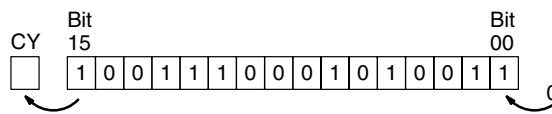
Address	Instruction	Operands
00000	LD	00005
00001	OUT	05012
00002	LD	00006
00003	OUT	05013
00004	LD	00007
00005	OUT	05014
00006	LD	00008
00007	OUT	05015
00008	LD	00009
00009	@SFT(10)	
		050
		LR 20
		LR 21

### 5-13-3 ARITHMETIC SHIFT LEFT – ASL(25)



**Description**

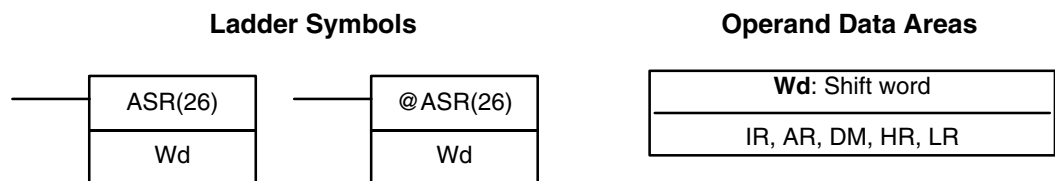
When the execution condition is OFF, ASL(25) is not executed. When the execution condition is ON, ASL(25) shifts a 0 into bit 00 of Wd, shifts the bits of Wd one bit to the left, and shifts the status of bit 15 into CY.



**Flags**

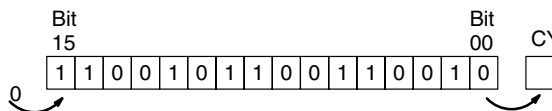
- ER:** Indirectly addressed DM word is non-existent. (Content of \*DM word is not BCD, or the DM area boundary has been exceeded.)
- CY:** Receives the status of bit 15.
- EQ:** ON when the content of Wd is zero; otherwise OFF.

### 5-13-4 ARITHMETIC SHIFT RIGHT – ASR(26)



**Description**

When the execution condition is OFF, ASR(25) is not executed. When the execution condition is ON, ASR(25) shifts a 0 into bit 15 of Wd, shifts the bits of Wd one bit to the right, and shifts the status of bit 00 into CY.

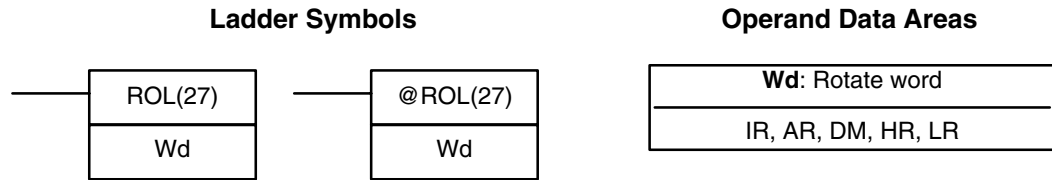


**Flags**

- ER:** Indirectly addressed DM word is non-existent. (Content of \*DM word is not BCD, or the DM area boundary has been exceeded.)
- CY:** Receives the data of bit 00.
- EQ:** ON when the content of Wd is zero; otherwise OFF.

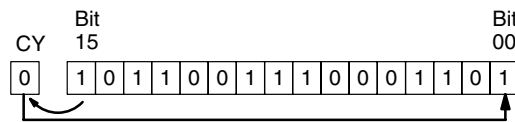


### 5-13-5 ROTATE LEFT – ROL(27)



**Description**

When the execution condition is OFF, ROL(27) is not executed. When the execution condition is ON, ROL(27) shifts all Wd bits one bit to the left, shifting CY into bit 00 of Wd and shifting bit 15 of Wd into CY.



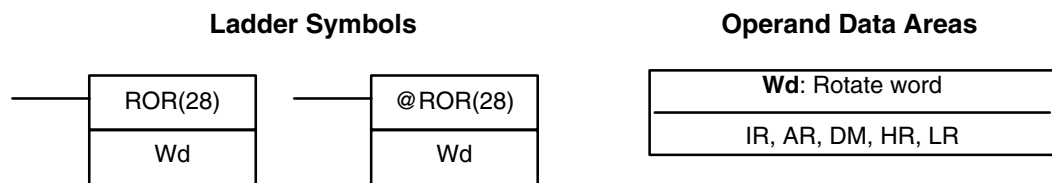
**Precautions**

Use STC(41) to set the status of CY or CLC(41) to clear the status of CY before doing a rotate operation to ensure that CY contains the proper status before execution ROL(27).

**Flags**

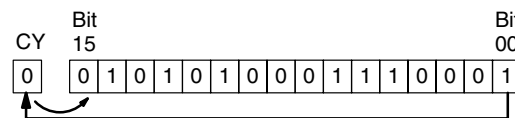
- ER:** Indirectly addressed DM word is non-existent. (Content of \*DM word is not BCD, or the DM area boundary has been exceeded.)
- CY:** Receives the data of bit 15.
- EQ:** ON when the content of Wd is zero; otherwise OFF.

### 5-13-6 ROTATE RIGHT – ROR(28)



**Description**

When the execution condition is OFF, ROR(28) is not executed. When the execution condition is ON, ROR(28) shifts all Wd bits one bit to the right, shifting CY into bit 15 of Wd and shifting bit 00 of Wd into CY.

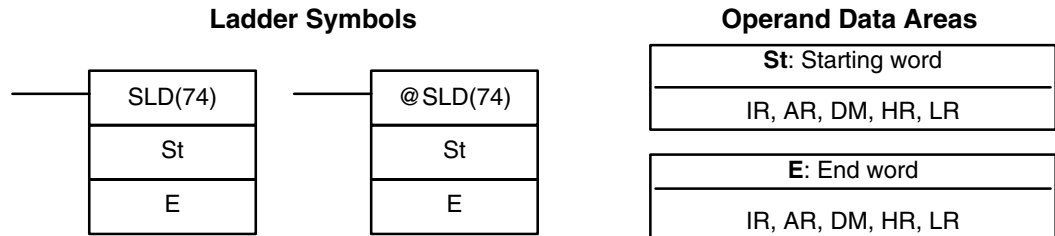


**Precautions**

Use STC(41) to set the status of CY or CLC(41) to clear the status of CY before doing a rotate operation to ensure that CY contains the proper status before execution ROR(28).

- Flags**
- ER:** Indirectly addressed DM word is non-existent. (Content of \*DM word is not BCD, or the DM area boundary has been exceeded.)
  - CY:** Receives the data of bit 15.
  - EQ:** ON when the content of Wd is zero; otherwise OFF.

### 5-13-7 ONE DIGIT SHIFT LEFT – SLD(74)

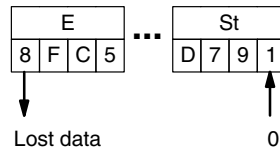


**Limitations**

St and E must be in the same data area, and E must be greater than or equal to St.

**Description**

When the execution condition is OFF, SLD(74) is not executed. When the execution condition is ON, SLD(74) shifts data between St and E (inclusive) by one digit (four bits) to the left. 0 is written into the rightmost digit of the St, and the content of the leftmost digit of E is lost.



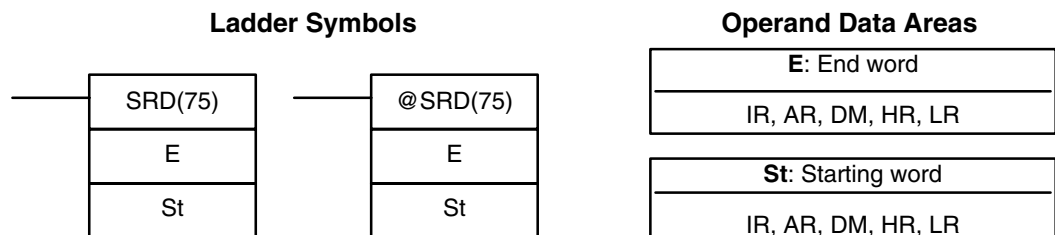
**Precautions**

If a power failure occurs during a shift operation across more than 50 words, the shift operation might not be completed.

**Flags**

- ER:** The St and E words are in different areas, or St is greater than E. Indirectly addressed DM word is non-existent. (Content of \*DM word is not BCD, or the DM area boundary has been exceeded.)

### 5-13-8 ONE DIGIT SHIFT RIGHT – SRD(75)

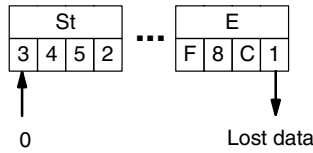


**Limitations**

St and E must be in the same data area, and E must be less than or equal to St.

**Description**

When the execution condition is OFF, SRD(75) is not executed. When the execution condition is ON, SRD(75) shifts data between St and E (inclusive) by one digit (four bits) to the right. 0 is written into the leftmost digit of St and the rightmost digit of E is lost.



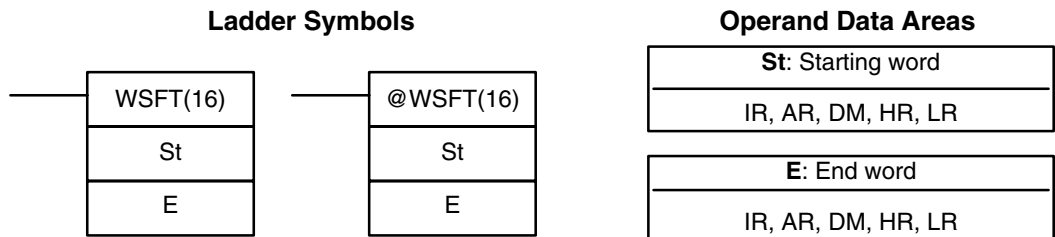
**Precautions**

If a power failure occurs during a shift operation across more than 50 words, the shift operation might not be completed.

**Flags**

**ER:** The St and E words are in different areas, or St is less than E.  
Indirectly addressed DM word is non-existent. (Content of \*DM word is not BCD, or the DM area boundary has been exceeded.)

**5-13-9 WORD SHIFT – WSFT(16)**

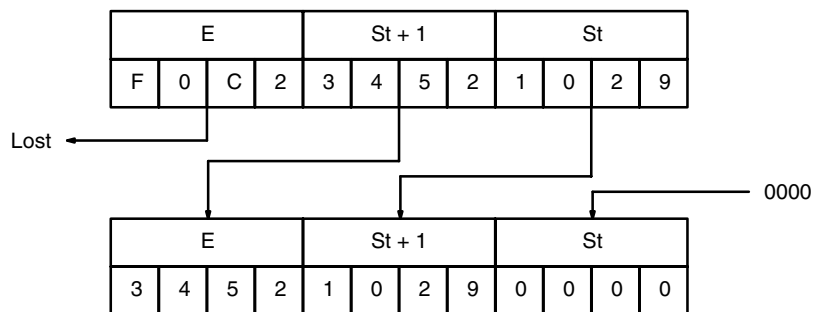


**Limitations**

St and E must be in the same data area, and E must be greater than or equal to St.

**Description**

When the execution condition is OFF, WSFT(16) is not executed. When the execution condition is ON, WSFT(16) shifts data between St and E in word units. Zeros are written into St and the content of E is lost.

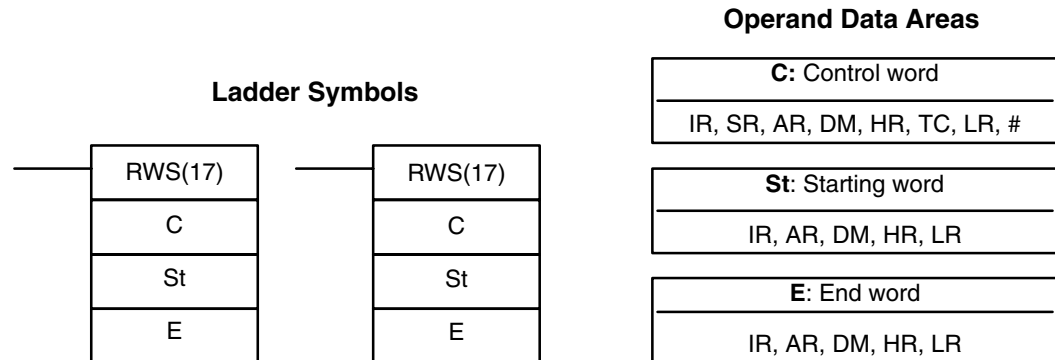


**Flags**

**ER:** The St and E words are in different areas, or St is greater than E.

Indirectly addressed DM word is non-existent. (Content of \*DM word is not BCD, or the DM area boundary has been exceeded.)

### 5-13-10 REVERSIBLE WORD SHIFT – RWS(17)



#### Limitations

Can be performed with the CPU11-E only. St and E must be in the same data area, and E must be less than or equal to St.

#### Description

When the execution condition is OFF, RWS(17) does nothing and the program moves to the next instruction. When the execution condition is ON, RWS(17) is used to create and control a reversible asynchronous word shift register between St and E. This register only shifts words when the next word in the register is zero, e.g., if no words in the register contain zero, nothing is shifted. Also, only one word is shifted for each word in the register that contains zero. When the contents of a word are shifted to the next word, the original word's contents are set to zero. In essence, when the register is shifted, each zero word in the register trades places with the next word. (See *Example* below.)

The shift direction (i.e. whether the “next word” is the next higher or the next lower word) is designated in C. C is also used to reset the register. All of any portion of the register can be reset by designating the desired portion with St and E.

#### Control Word

Bits 00 through 12 of C are not used. Bit 13 is the shift direction: turn bit 13 ON to shift down (toward lower addressed words) and OFF to shift up (toward higher addressed words). Bit 14 is the Shift Enable Bit: turn bit 14 ON to enable shift register operation according to bit 13 and OFF to disable the register. Bit 15 is the Reset bit: the register will be reset (set to zero) between St and E when RWS(17) is executed with bit 15 ON. Turn bit 15 OFF for normal operation.

#### Flags

**ER:** The St and E words are in different areas, or St is greater than E.  
Indirectly addressed DM word is non-existent. (Content of \*DM word is not BCD, or the DM area boundary has been exceeded.)

#### Example

The following example shows instruction RWS(17) used to shift words in an 11-word shift register created between DM 0100 and DM 0110 assuming that HR 1215 (the Reset Bit in the control word) is ON, the entire register would

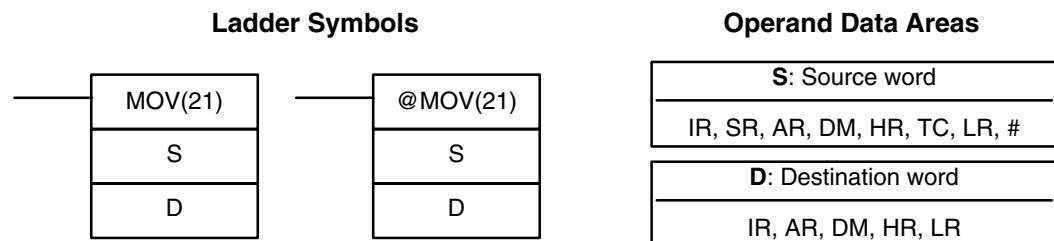
be set to 0000. The data changes that would occur for the given register and control word contents are also shown.

HR 1213: OFF (Shift upward) HR 1214: ON (Shift enabled) HR 1215: OFF (Reset OFF)		Before execution	After execution
	DM 0100	1234	0000
	DM 0101	0000	1234
	DM 0102	0000	0000
	DM 0103	2345	2345
	DM 0104	3456	0000
	DM 0105	0000	3456
	DM 0106	4567	4567
	DM 0107	5678	5678
	DM 0108	6789	0000
	DM 0109	0000	6789
DM 0110	789A	789A	

## 5-14 Data Movement

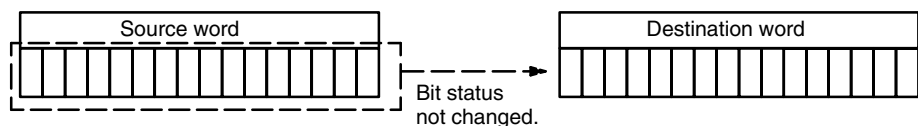
This section describes the instructions used for moving data between different addresses in data areas. These movements can be programmed to be within the same data area or between different data areas. Data movement is essential for utilizing all of the data areas of the PC. Effective communications in Link Systems also requires data movement. All of these instructions change only the content of the words to which data is being moved, i.e., the content of source words is the same before and after execution of any of the data movement instructions.

### 5-14-1 MOVE – MOV(21)



**Description**

When the execution condition is OFF, MOV(21) is not executed. When the execution condition is ON, MOV(21) copies the content of S to D.



**Precautions**

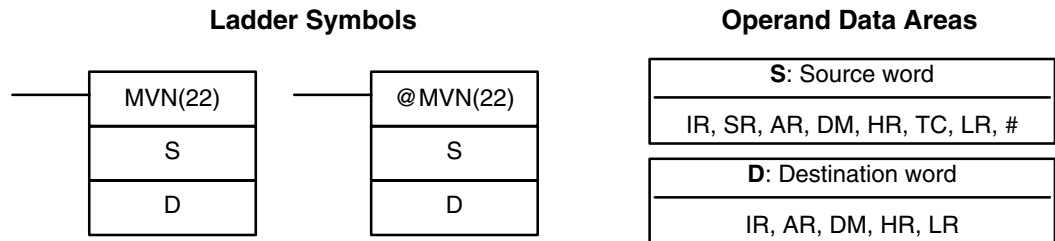
TC numbers cannot be designated as D to change the PV of the timer or counter. You can, however, easily change the PV of a timer or a counter by using BSET(71).

**Flags**

**ER:** Indirectly addressed DM word is non-existent. (Content of \*DM word is not BCD, or the DM area boundary has been exceeded.)

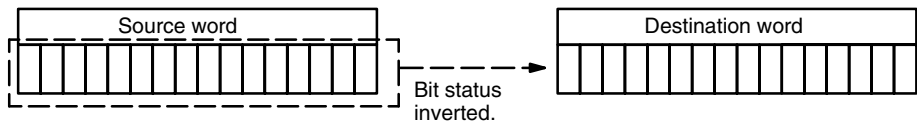
**EQ:** ON when all zeros are transferred to D.

### 5-14-2 MOVE NOT – MVN(22)



**Description**

When the execution condition is OFF, MVN(22) is not executed. When the execution condition is ON, MVN(22) transfers the inverted content of S (specified word or four-digit hexadecimal constant) to D, i.e., for each ON bit in S, the corresponding bit in D is turned OFF, and for each OFF bit in S, the corresponding bit in D is turned ON.



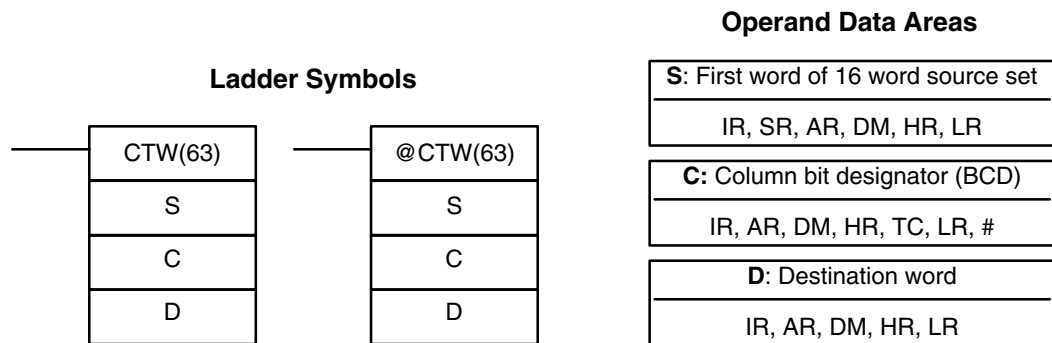
**Precautions**

TC numbers cannot be designated as D to change the PV of the timer or counter. However, these can be easily changed using BSET(71).

**Flags**

- ER:** Indirectly addressed DM word is non-existent. (Content of \*DM word is not BCD, or the DM area boundary has been exceeded.)
- EQ:** ON when all zeros are transferred to D.

### 5-14-3 COLUMN-TO-WORD – CTW(63)

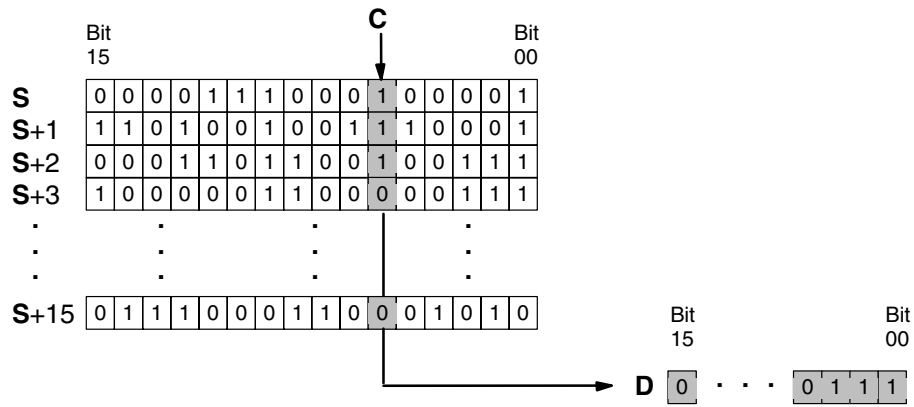


**Limitations**

Can be performed with the CPU11-E only. C must be between #0000 and #0015.

**Description**

When the execution condition is OFF, CTW(63) is not executed. When the execution condition is ON, CTW(63) copies bit column C from the 16-word set (S to S+15) to the 16 bits of word D (00 to 15).



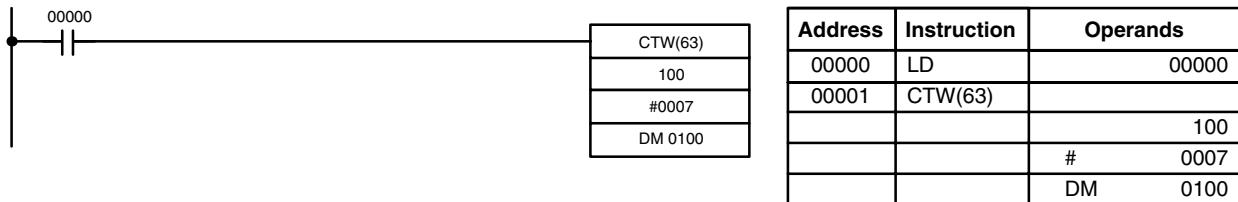
**Flags**

**ER:** The column bit designator C is not BCD, or it is specifying a non-existent bit (i.e., bit specification must be between 00 and 15).  
Indirectly addressed DM word is non-existent. (Content of \*DM word is not BCD, or the DM area boundary has been exceeded.)

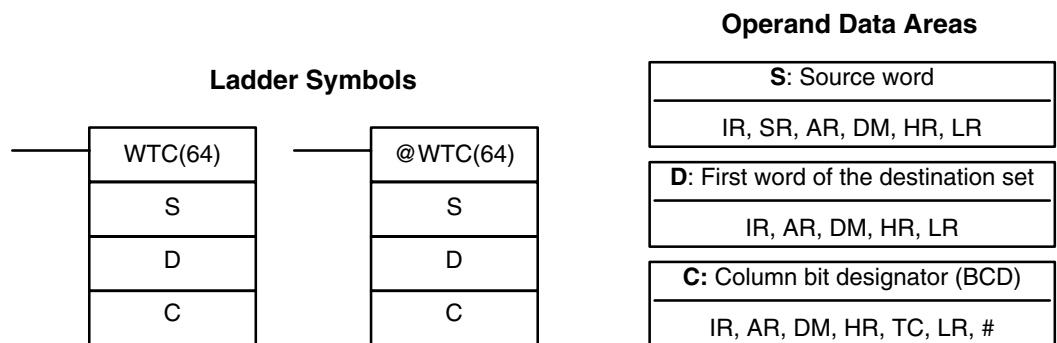
**EQ:** ON when the content of D is zero; otherwise OFF.

**Example**

The following example shows how to use CTW(63) to move bit column 07 from the set (IR 100 to IR 115) to DM 0100.



**5-14-4 WORD-TO-COLUMN – WTC(64)**

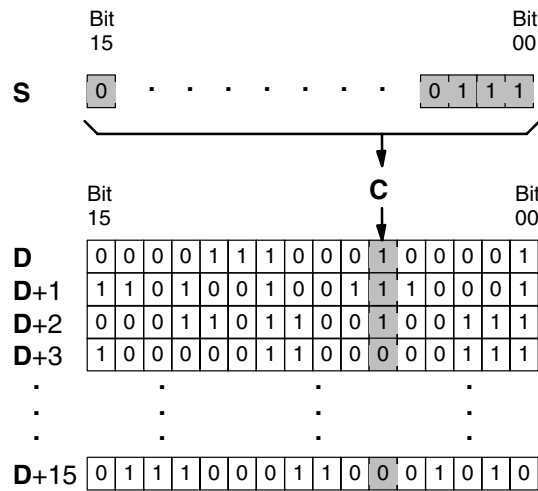


**Limitations**

Can be performed with the CPU11-E only. C must be between 00 and 15.

**Description**

When the execution condition is OFF, WTC(64) is not executed. When the execution condition is ON, WTC(64) copies the 16 bits of word S (00 to 15) to the column of bits, C, of the 16-word set (D to D+15).

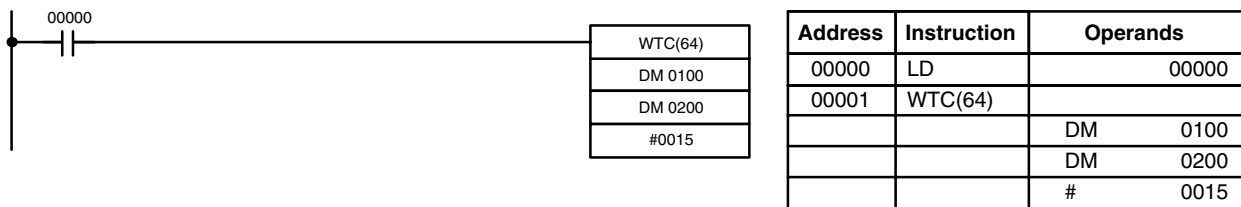


**Flags**

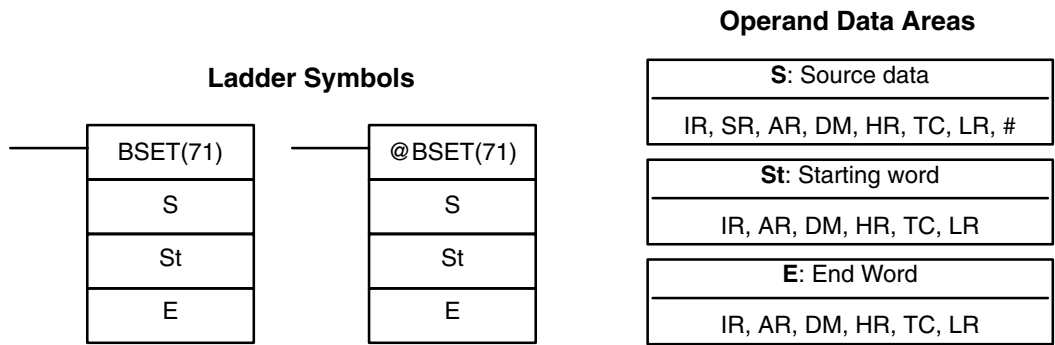
- ER:** The bit designator C is not BCD, or it is specifying a non-existent bit (i.e., bit specification must be between 00 and 15).  
Indirectly addressed DM word is non-existent. (Content of \*DM word is not BCD, or the DM area boundary has been exceeded.)
- EQ:** ON when the content of S is zero; otherwise OFF.

**Example**

The following example shows how to use WTC(64) to move the contents of word DM 0100 (00 to 15) to bit column 15 of the set (DM 0200 to DM 0215).



**5-14-5 BLOCK SET – BSET(71)**



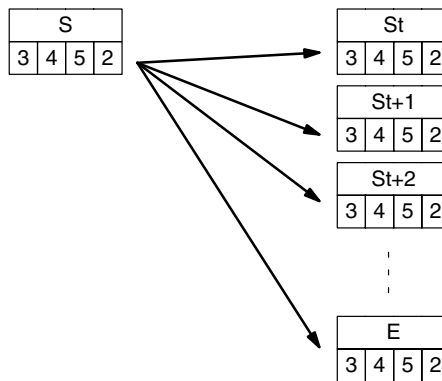
**Limitations**

St must be less than or equal to E, and St and E must be in the same data area.

**Description**

When the execution condition is OFF, BSET(71) is not executed. When the execution condition is ON, BSET(71) copies the content of S to all words from St through E.





BSET(71) can be used to change timer/counter PV. (This cannot be done with MOV(21) or MVN(22).) BSET(71) can also be used to clear sections of a data area, i.e., the DM area, to prepare for executing other instructions.

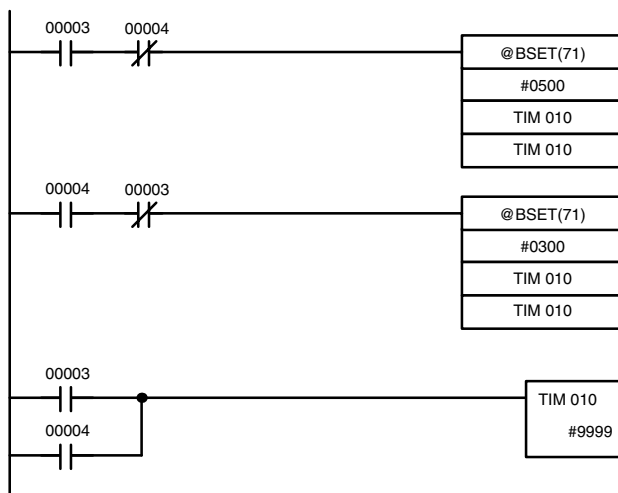
**Flags**

**ER:** St and E are not in the same data area or St is greater than E.

Indirectly addressed DM word is non-existent. (Content of \*DM word is not BCD, or the DM area boundary has been exceeded.)

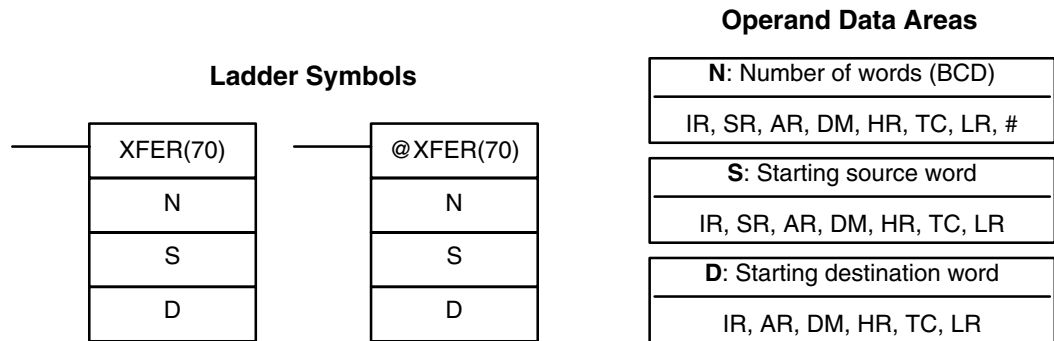
**Example**

The following example shows how to use BSET(71) to change the PV of a timer depending on the status of IR 00003 and IR 00004. When IR 00003 is ON, TIM 010 will operate as a 50-second timer; when IR 00004 is ON, TIM 010 will operate as a 30-second timer.



Address	Instruction	Operands
00000	LD	00003
00001	AND NOT	00004
00002	@BSET(71)	
		# 0500
		TIM 010
		TIM 010
00003	LD	00004
00004	AND NOT	00003
00005	@BSET(71)	
		# 0300
		TIM 010
		TIM 010
00006	LD	00003
00007	OR	00004
00008	TIM	010
		# 9999

### 5-14-6 BLOCK TRANSFER – XFER(70)

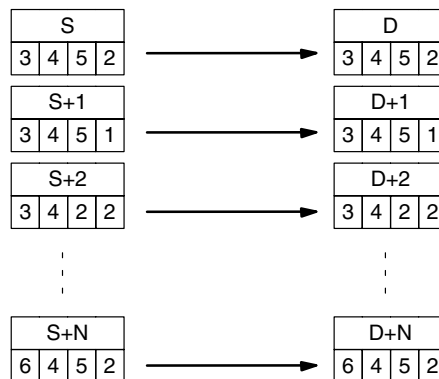


**Limitations**

Both S and D may be in the same data area, but their respective block areas must not overlap. S and S+N must be in the same data area, as must D and D+N.

**Description**

When the execution condition is OFF, XFER(70) is not executed. When the execution condition is ON, XFER(70) copies the contents of S, S+1, ..., S+N to D, D+1, ..., D+N.



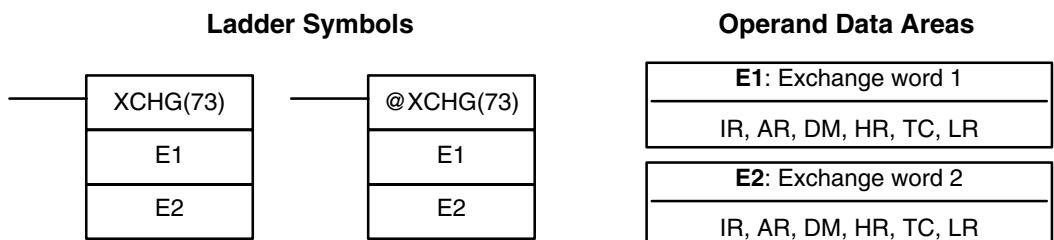
**Flags**

**ER:** N is not BCD

S and S+N or D and D+N are not in the same data area.

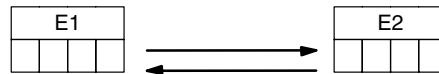
Indirectly addressed DM word is non-existent. (Content of \*DM word is not BCD, or the DM area boundary has been exceeded.)

### 5-14-7 DATA EXCHANGE – XCHG(73)



**Description**

When the execution condition is OFF, XCHG(73) is not executed. When the execution condition is ON, XCHG(73) exchanges the content of E1 and E2.



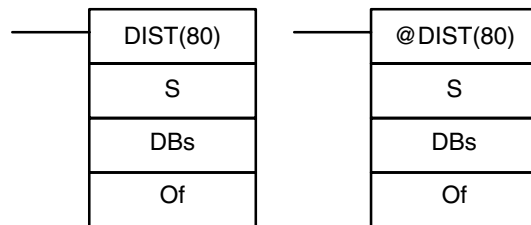
If you want to exchange content of blocks whose size is greater than 1 word, use work words as an intermediate buffer to hold one of the blocks using XFER(70) three times.

**Flags**

**ER:** Indirectly addressed DM word is non-existent. (Content of \*DM word is not BCD, or the DM area boundary has been exceeded.)

**5-14-8 SINGLE WORD DISTRIBUTE – DIST(80)**

**Ladder Symbols**



**Operand Data Areas**

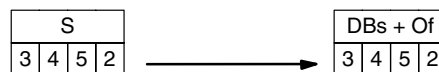
<b>S:</b> Source data
IR, SR, AR, DM, HR, TC, LR, #
<b>DBs:</b> Destination base word
IR, AR, DM, HR, TC, LR
<b>Of:</b> Offset data (BCD)
IR, AR, DM, HR, TC, LR, #

**Limitations**

Of must be a BCD. DBs must be in the same data area as DBs+Of.

**Description**

When the execution condition is OFF, DIST(80) is not executed. When the execution condition is ON, DIST(80) copies the content of S to DBs+Of, i.e., Of is added to DBs to determine the destination word.



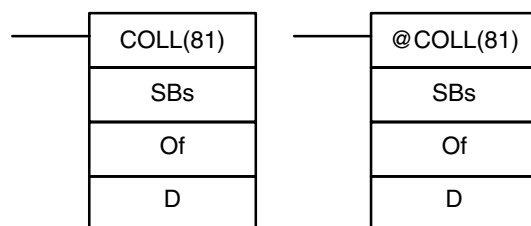
**Flags**

**ER:** The specified offset data is not BCD, or when added to the DBs, the resulting address lies outside the data area of the DBs.  
Indirectly addressed DM word is non-existent. (Content of \*DM word is not BCD, or the DM area boundary has been exceeded.)

**EQ:** ON when the content of S is zero; otherwise OFF.

**5-14-9 DATA COLLECT – COLL(81)**

**Ladder Symbols**

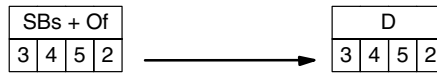


**Operand Data Areas**

<b>SBs:</b> Source base word
IR, SR, AR, DM, HR, TC, LR
<b>Of:</b> Offset data (BCD)
IR, AR, DM, HR, TC, LR, #
<b>D:</b> Destination word
IR, AR, DM, HR, TC, LR

**Limitations** Of must be a BCD. SBs must be in the same data area as SBs+Of.

**Description** When the execution condition is OFF, COLL(81) is not executed. When the execution condition is ON, COLL(81) copies the content of SBs + Of to D, i.e., Of is added to SBs to determine the source word.

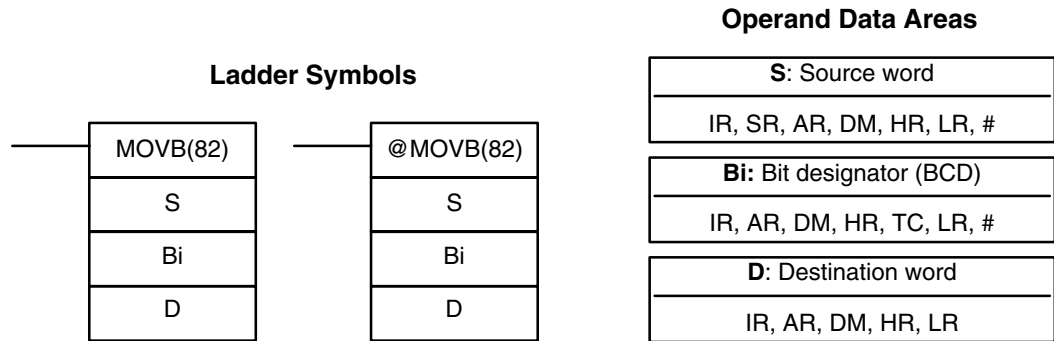


**Flags**

**ER:** Of is not BCD, or when added to the SBs, or when added to the SBs, the resulting address lies outside the data area of the SBs.  
Indirectly addressed DM word is non-existent. (Content of \*DM word is not BCD, or the DM area boundary has been exceeded.)

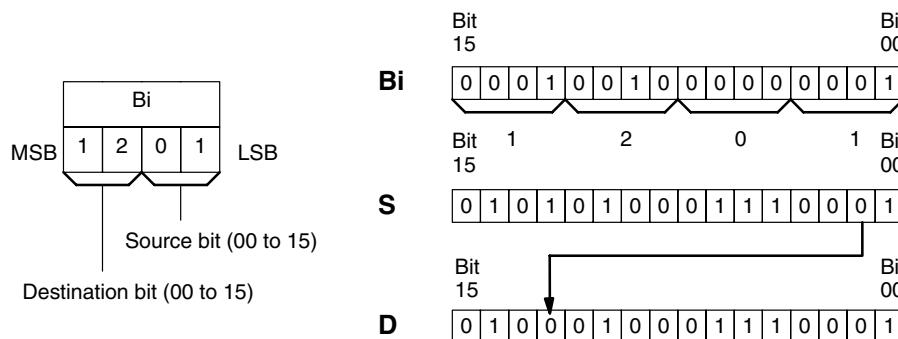
**EQ:** ON when the content of S is zero; otherwise OFF.

### 5-14-10 MOVE BIT – MOVB(82)



**Limitations** The rightmost two digits and the leftmost two digits of Bi must each be between 00 and 15.

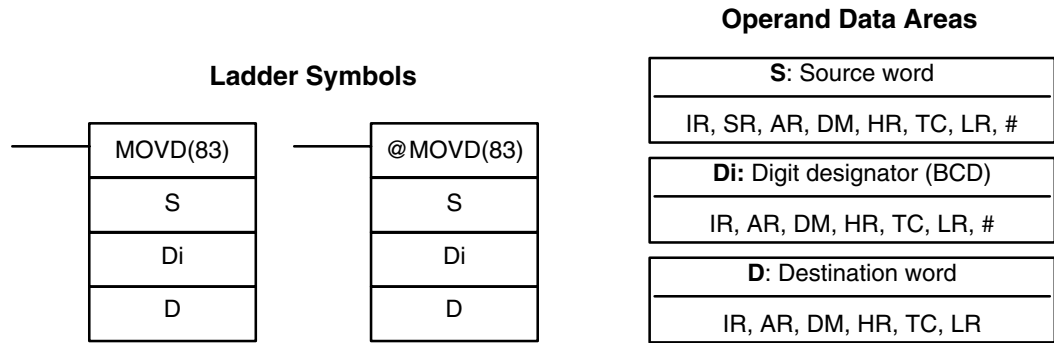
**Description** When the execution condition is OFF, MOV B(82) is not executed. When the execution condition is ON, MOV B(82) copies the specified bit of S to the specified bit in D. The bits in S and D are specified by Bi. The rightmost two digits of Bi designate the source bit; the leftmost two bits designate the destination bit.



**Flags**

**ER:** C is not BCD, or it is specifying a non-existent bit (i.e., bit specification must be between 00 and 15).  
Indirectly addressed DM word is non-existent. (Content of \*DM word is not BCD, or the DM area boundary has been exceeded.)

### 5-14-11 MOVE DIGIT – MOVD(83)

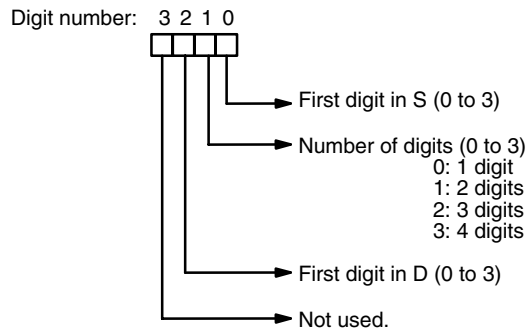


**Limitations**

The rightmost three digits of Di must each be between 0 and 3.

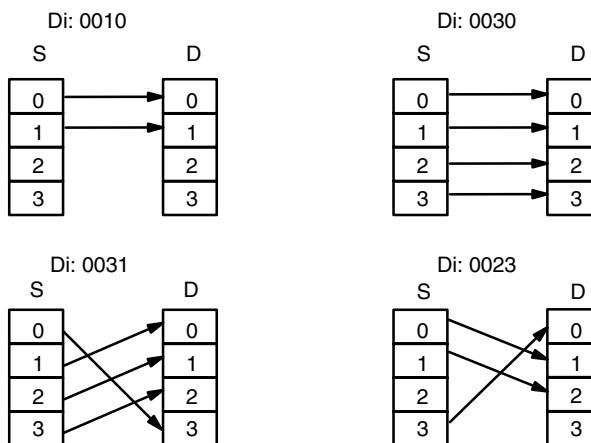
**Description**

When the execution condition is OFF, MOVD(83) is not executed. When the execution condition is ON, MOVD(83) copies the content of the specified digit(s) in S to the specified digit(s) in D. Up to four digits can be transferred at one time. The first digit to be copied, the number of digits to be copied, and the first digit to receive the copy are designated in Di as shown below. Digits from S will be copied to consecutive digits in D starting from the designated first digit and continued for the designated number of digits. If the last digit is reached in either S or D, further digits are used starting back at digit 0.



**Digit Designator**

The following show examples of the data movements for various values of Di.



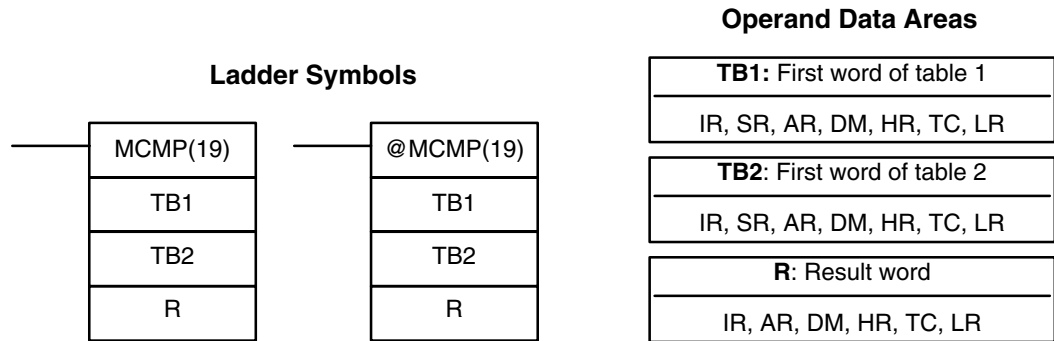
**Flags**

**ER:** At least one of the rightmost three digits of Di is not between 0 and 3. Indirectly addressed DM word is non-existent. (Content of \*DM word is not BCD, or the DM area boundary has been exceeded.)

## 5-15 Data Comparison

This section describes the instructions used for comparing data. CMP(20) is used to compare the contents of two words; BCMP(68) is used to determine within which of several preset ranges the content of one word lies; and TCMP(85) is used to determine which of several preset values the content of one word equals.

### 5-15-1 MULTI-WORD COMPARE – MCMP(19)



**Limitations**

Can be performed with the CPU11-E only.

**Description**

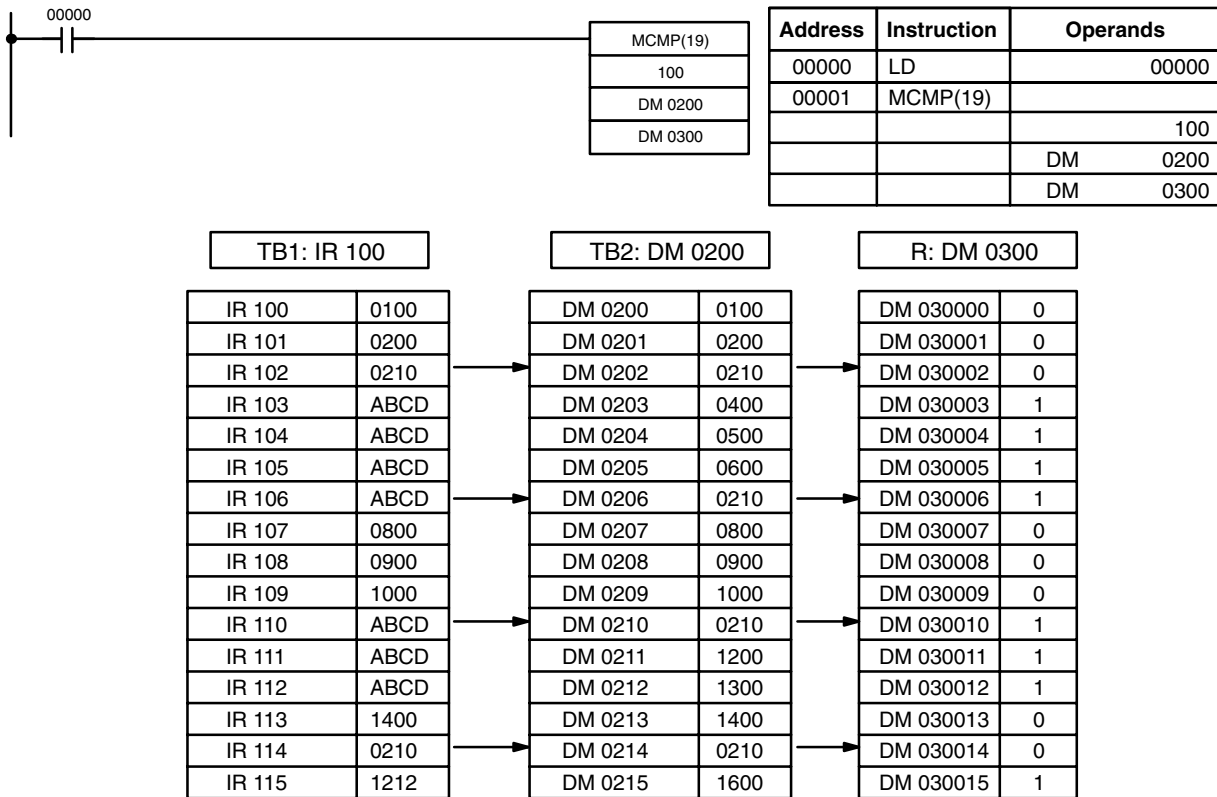
When the execution condition is OFF, MCMP(19) is not executed. When the execution condition is ON, MCMP(19) compares the content of TB1 to TB2, TB1+1 to TB2+1, TB1+2 to TB2+2, ..., and TB1+15 to TB2+15. If the first pair is equal, the first bit in R is turned OFF, etc., i.e., if the content of TB1 equals the content of TB2, bit 00 is turned OFF, if the content of TB1+1 equals the content of TB2+1, bit 01 is turned OFF, etc. The rest of the bits in R will be turned ON.

**Flags**

**ER:** One of the tables (i.e., TB1 through TB1+15, or TB2 through TB2+15) exceeds the data area.  
Indirectly addressed DM word is non-existent. (Content of \*DM word is not BCD, or the DM area boundary has been exceeded.)

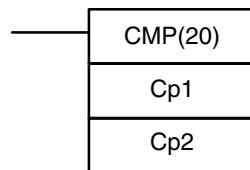
**Example**

The following example shows the comparisons made and the results provided for MCMP(19). Here, the comparison is made during each cycle when 00000 is ON.



### 5-15-2 COMPARE – CMP(20)

**Ladder Symbols**



**Operand Data Areas**

<b>Cp1:</b> First compare word
IR, SR, AR, DM, HR, TC, TR, #
<b>Cp2:</b> Second compare word
IR, SR, AR, DM, HR, TC, LR, #

**Limitations**

When comparing a value to the PV of a timer or counter, the value must be in BCD.

**Description**

When the execution condition is OFF, CMP(20) is not executed. When the execution condition is ON, CMP(20) compares Cp1 and Cp2 and outputs the result to the GR, EQ, and LE flags in the SR area.

**Precautions**

Placing other instructions between CMP(20) and the operation which accesses the EQ, LE, and GR flags may change the status of these flags. Be sure to access them before the desired status is changed.

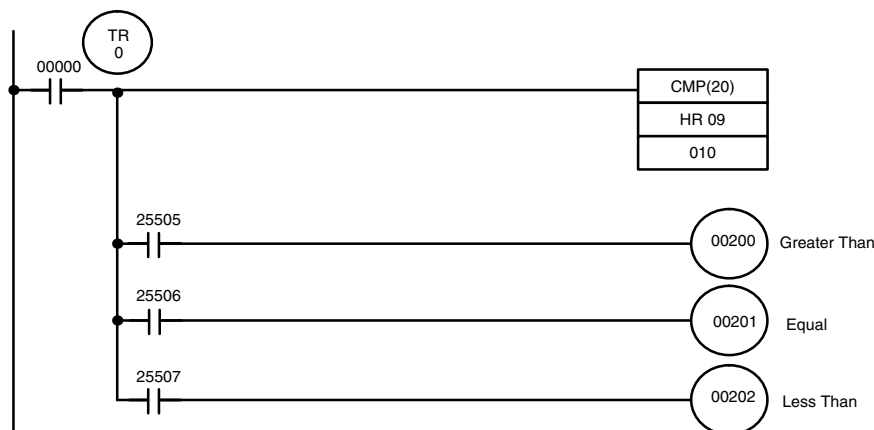
**Flags**

- ER:** Indirectly addressed DM word is non-existent. (Content of \*DM word is not BCD, or the DM area boundary has been exceeded.)
- EQ:** ON if Cp1 equals Cp2.
- LE:** ON if Cp1 is less than Cp2.
- GR:** ON if Cp1 is greater than Cp2.

Flag	Address	C1 < C2	C1 = C2	C1 > C2
GR	25505	OFF	OFF	ON
EQ	25506	OFF	ON	OFF
LE	25507	ON	OFF	OFF

**Example 1:  
Saving CMP(20) Results**

The following example shows how to save the comparison result immediately. If the content of HR 09 is greater than that of 010, 00200 is turned ON; if the two contents are equal, 00201 is turned ON; if content of HR 09 is less than that of 010, 00202 is turned ON. In some applications, only one of the three OUTs would be necessary, making the use of TR 0 unnecessary. With this type of programming, 00200, 00201, and 00202 are changed only when CMP(20) is executed.



Address	Instruction	Operands
00000	LD	00000
00001	OUT	TR 0
00002	CMP(20)	010
		HR 09
00003	LD	TR 0
00004	AND	25505

Address	Instruction	Operands
00005	OUT	00200
00006	LD	TR 0
00007	AND	25506
00008	OUT	00201
00009	LD	TR 0
00010	AND	25507
00011	OUT	00202

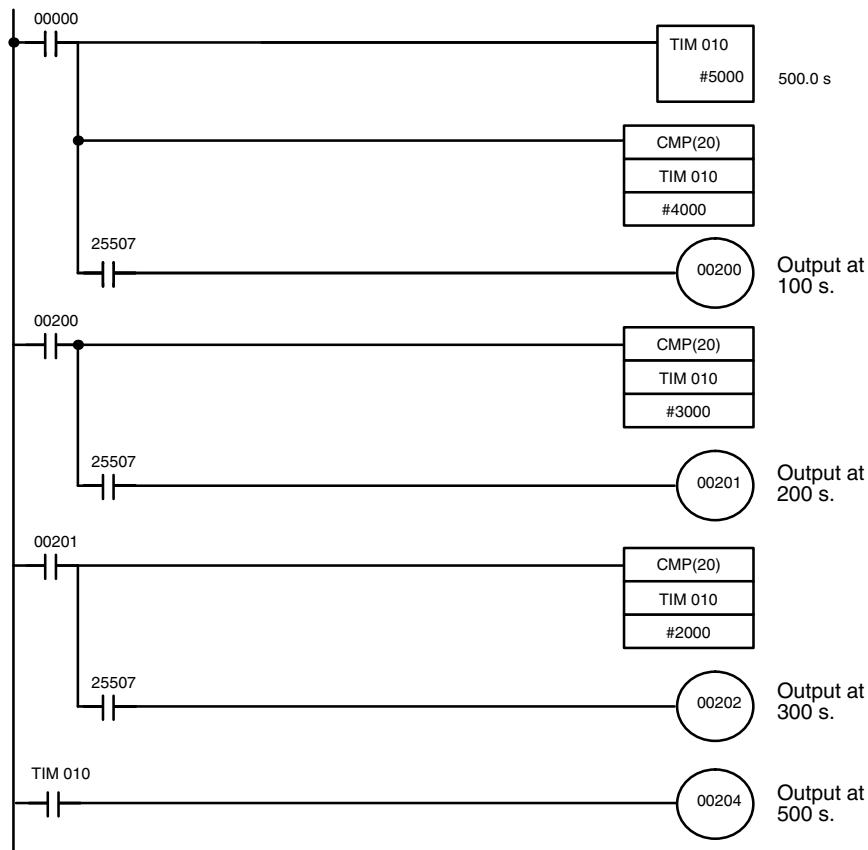
**Example 2:  
Obtaining Indications  
during Timer Operation**

The following example uses TIM, CMP(20), and the LE flag (25507) to produce outputs at particular times in the timer's countdown. The timer is started by turning ON 00000. When 00000 is OFF, TIM 010 is reset and the second two CMP(20)s are not executed (i.e., executed with OFF execution conditions). Output 00200 is produced after 100 seconds; output 00201, after 200 seconds; output 00202, after 300 seconds; and output 00204, after 500 seconds.

The branching structure of this diagram is important in order to ensure that 00200, 00201, and 00202 are controlled properly as the timer counts down.



Because all of the comparisons here use to the timer's PV as reference, the other operand for each CMP(20) must be in 4-digit BCD.

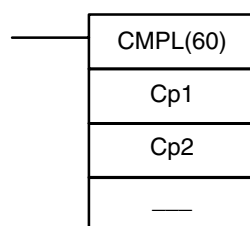


Address	Instruction	Operands
00000	LD	00000
00001	TIM	010
		# 5000
00002	CMP(20)	
		TIM 010
		# 4000
00003	AND	25507
00004	OUT	00200
00005	LD	00200
00006	CMP(20)	
		TIM 010
		# 3000

Address	Instruction	Operands
00007	AND	25507
00008	OUT	00201
00009	LD	00201
00010	CMP(20)	
		TIM 010
		# 2000
00011	AND	25507
00012	OUT	00202
00013	LD	TIM 010
00014	OUT	00204

### 5-15-3 DOUBLE COMPARE – CMPL(60)

#### Ladder Symbols



#### Operand Data Areas

<b>Cp1:</b> First word of first compare word pair
IR, SR, AR, DM, HR, TC, TR
<b>Cp2:</b> First word of second compare word pair
IR, SR, AR, DM, HR, TC, LR

**Limitations**

Can be performed with the CPU11-E only.

**Description**

When the execution condition is OFF, CMPL(60) is not executed. When the execution condition is ON, CMPL(60) joins the 4-digit hexadecimal content of Cp1+1 with that of Cp1, and that of Cp2+1 with that of Cp2 to create two 8-digit hexadecimal numbers, Cp+1,Cp1 and Cp2+1,Cp2. The two 8-digit numbers are then compared and the result is output to the GR, EQ, and LE flags in the SR area.

**Precautions**

Placing other instructions between CMPL(60) and the operation which accesses the EQ, LE, and GR flags may change the status of these flags. Be sure to access them before the desired status is changed.

**Flags**

**ER:** Indirectly addressed DM word is non-existent. (Content of \*DM word is not BCD, or the DM area boundary has been exceeded.)

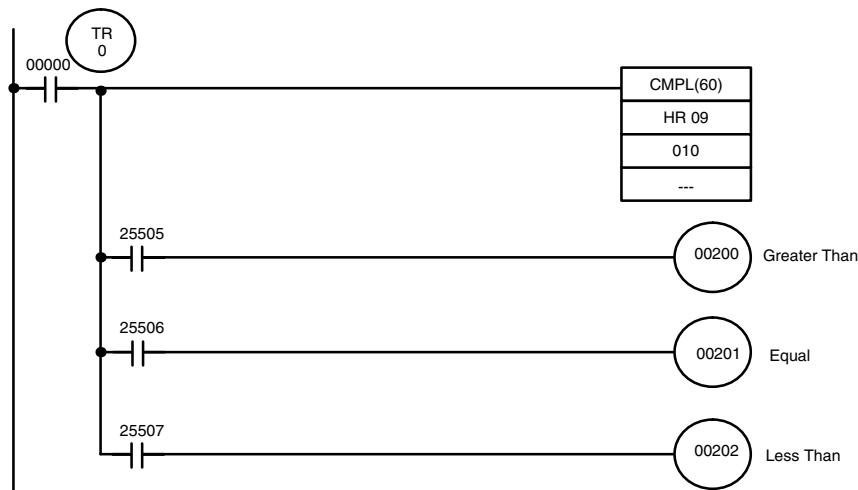
**GR:** ON if Cp1+1,Cp1 is greater than Cp2+1,Cp2.

**EQ:** ON if Cp1+1,Cp1 equals Cp2+1,Cp2.

**LE:** ON if Cp1+1,Cp1 is less than Cp2+1,Cp2.

**Example:  
Saving CMPL(60) Results**

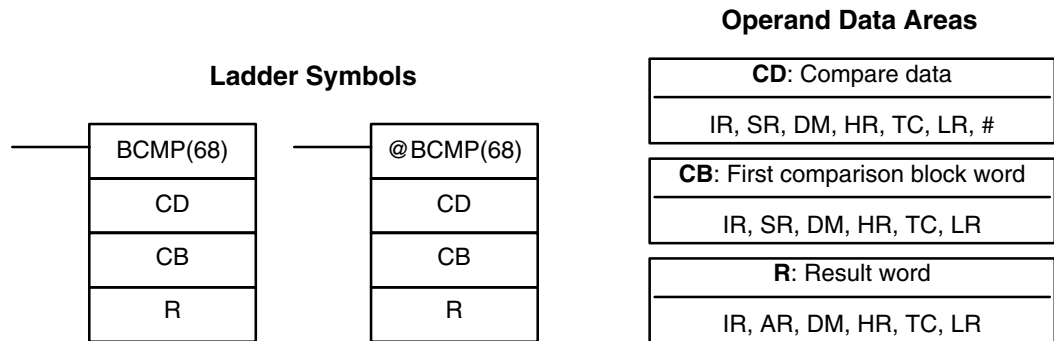
The following example shows how to save the comparison result immediately. If the content of HR 10, HR 09 is greater than that of 011, 010, then 00200 is turned ON; if the two contents are equal, 00201 is turned ON; if content of HR 10, HR 09 is less than that of 011, 010, then 00202 is turned ON. In some applications, only one of the three OUTs would be necessary, making the use of TR 0 unnecessary. With this type of programming, 00200, 00201, and 00202 are changed only when CMPL(60) is executed.



Address	Instruction	Operands
00000	LD	00000
00001	OUT	TR 0
00002	CMPL(60)	
		HR 09
		010
00003	LD	TR 0
00004	AND	25505

Address	Instruction	Operands
00005	OUT	00200
00006	LD	TR 0
00007	AND	25506
00008	OUT	00201
00009	LD	TR 0
00010	AND	25507
00011	OUT	00202

### 5-15-4 BLOCK COMPARE – BCMP(68)



**Limitations**

Each lower limit word in the comparison block must be less than or equal to the upper limit.

**Description**

When the execution condition is OFF, BCMP(68) is not executed. When the execution condition is ON, BCMP(68) compares CD to the ranges defined by a block consisting of of CB, CB+1, CB+2, ..., CB+32. Each range is defined by two words, the first one providing the lower limit and the second word providing the upper limit. If CD is found to be within any of these ranges (inclusive of the upper and lower limits), the corresponding bit in R is set. The comparisons that are made and the corresponding bit in R that is set for each true comparison are shown below. The rest of the bits in R will be turned OFF.

$CB \leq CD \leq CB+1$	Bit 00
$CB+2 \leq CD \leq CB+3$	Bit 01
$CB+4 \leq CD \leq CB+5$	Bit 02
$CB+6 \leq CD \leq CB+7$	Bit 03
$CB+8 \leq CD \leq CB+9$	Bit 04
$CB+10 \leq CD \leq CB+11$	Bit 05
$CB+12 \leq CD \leq CB+13$	Bit 06
$CB+14 \leq CD \leq CB+15$	Bit 07
$CB+16 \leq CD \leq CB+17$	Bit 08
$CB+18 \leq CD \leq CB+19$	Bit 09
$CB+20 \leq CD \leq CB+21$	Bit 10
$CB+22 \leq CD \leq CB+23$	Bit 12
$CB+24 \leq CD \leq CB+25$	Bit 13
$CB+26 \leq CD \leq CB+27$	Bit 14
$CB+28 \leq CD \leq CB+29$	Bit 15
$CB+30 \leq CD \leq CB+31$	Bit 16

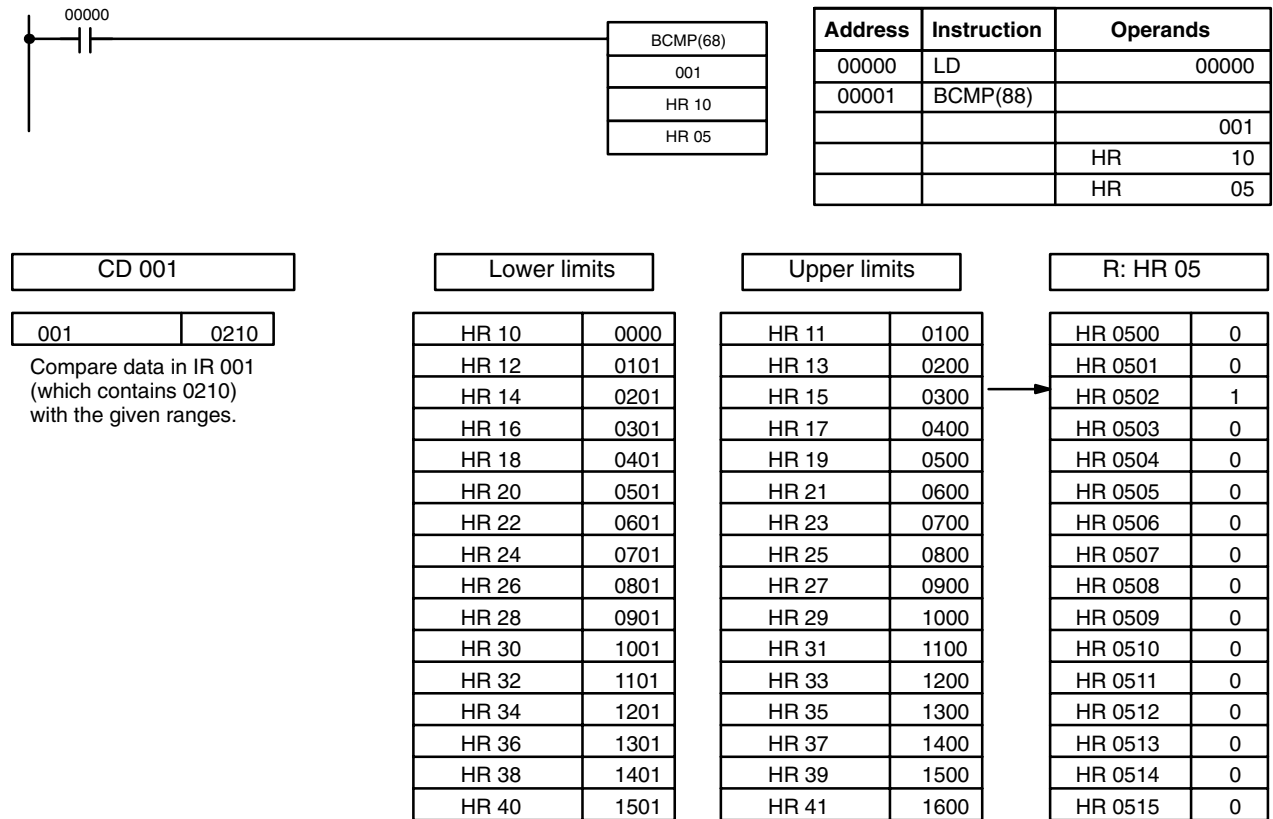
**Flags**

**ER:** The comparison block (i.e., CB through CB+31) exceeds the data area.

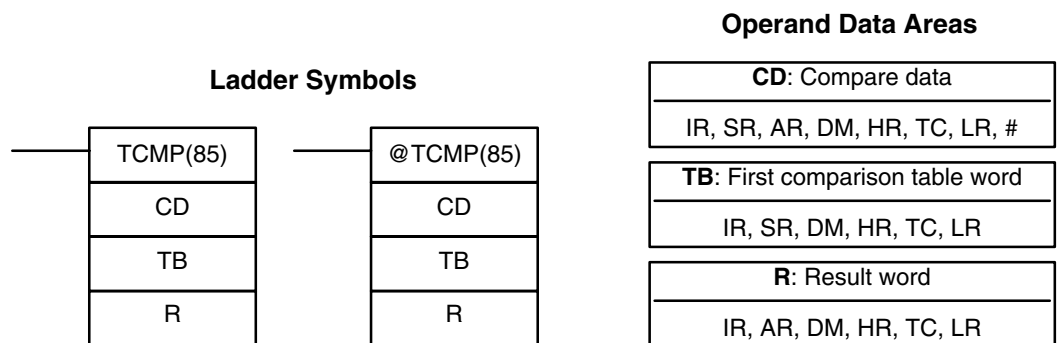
Indirectly addressed DM word is non-existent. (Content of \*DM word is not BCD, or the DM area boundary has been exceeded.)

**Example**

The following example shows the comparisons made and the results provided for BCMP(68). Here, the comparison is made during each cycle when 00000 is ON.



**5-15-5 TABLE COMPARE – TCMP(85)**



**Description**

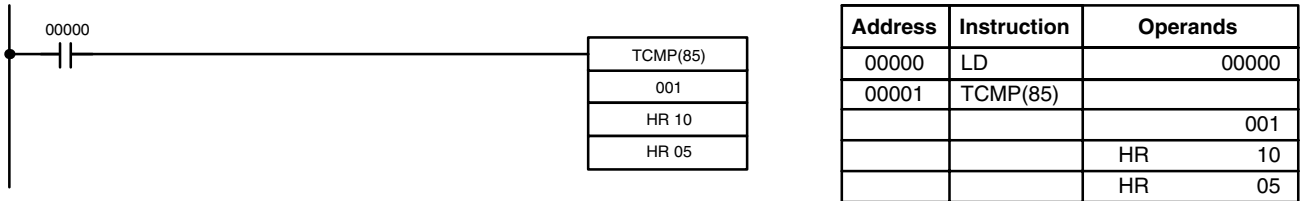
When the execution condition is OFF, TCMP(85) is not executed. When the execution condition is ON, TCMP(85) compares CD to the content of TB, TB+1, TB+2, ..., and TB+15. If CD is equal to the content of any of these words, the corresponding bit in R is set, e.g., if the CD equals the content of TB, bit 00 is turned ON, if it equals that of TB+1, bit 01 is turned ON, etc. The rest of the bits in R will be turned OFF.

**Flags**

**ER:** The comparison table (i.e., TB through TB+15) exceeds the data area.  
Indirectly addressed DM word is non-existent. (Content of \*DM word is not BCD, or the DM area boundary has been exceeded.)

**Example**

The following example shows the comparisons made and the results provided for TCMP(85). Here, the comparison is made during each cycle when 00000 is ON.



CD: 001

001 | 0210

Compare the data in IR 001 with the given ranges.

Upper limits

HR 10	0100
HR 11	0200
HR 12	0210
HR 13	0400
HR 14	0500
HR 15	0600
HR 16	0210
HR 17	0800
HR 18	0900
HR 19	1000
HR 20	0210
HR 21	1200
HR 22	1300
HR 23	1400
HR 24	0210
HR 25	1600

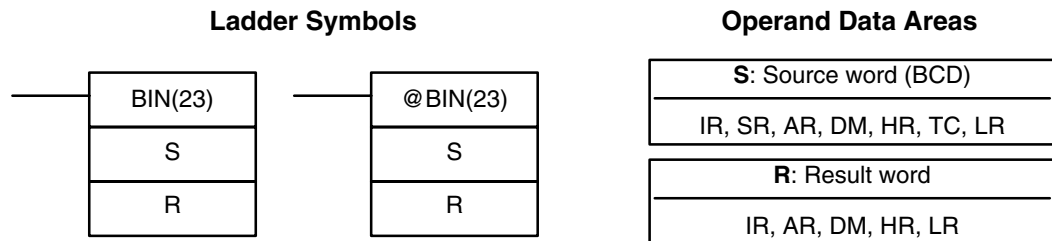
R: HR 05

HR 0500	0
HR 0501	0
HR 0502	1
HR 0503	0
HR 0504	0
HR 0505	0
HR 0506	1
HR 0507	0
HR 0508	0
HR 0509	0
HR 0510	1
HR 0511	0
HR 0512	0
HR 0513	0
HR 0514	1
HR 0515	0

## 5-16 Data Conversion

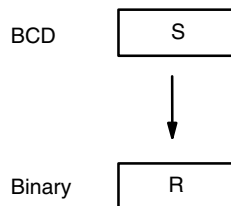
The conversion instructions convert word data that is in one format into another format and output the converted data to specified result word(s). Conversions are available to convert between binary (hexadecimal) and BCD, to 7-segment display data, to ASCII, and between multiplexed and non-multiplexed data. All of these instructions change only the content of the words to which converted data is being moved, i.e., the content of source words is the same before and after execution of any of the conversion instructions.

### 5-16-1 BCD-TO-BINARY – BIN(23)



#### Description

When the execution condition is OFF, BIN(23) is not executed. When the execution condition is ON, BIN(23) converts the BCD content of S into the numerically equivalent binary bits, and outputs the binary value to R. Only the content of R is changed; the content of S is left unchanged.

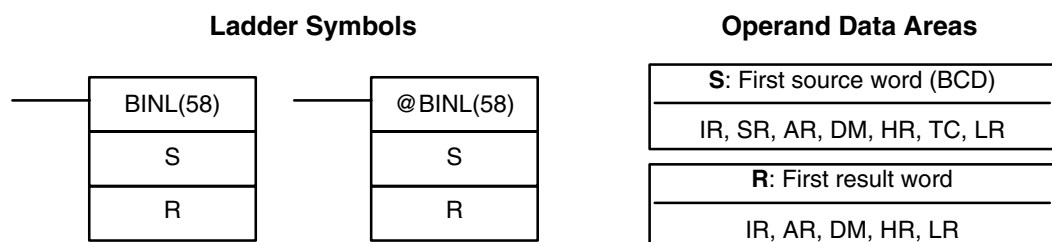


BIN(23) can be used to convert BCD to binary so that displays on the Programming Console or any other programming device will appear in hexadecimal rather than decimal. It can also be used to convert to binary to perform binary arithmetic operations rather than BCD arithmetic operations, e.g., when BCD and binary values must be added.

#### Flags

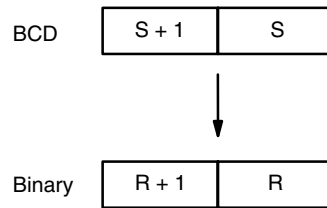
- ER:** The content of S is not BCD.  
Indirectly addressed DM word is non-existent. (Content of \*DM word is not BCD, or the DM area boundary has been exceeded.)
- EQ:** ON when the result is zero.

### 5-16-2 DOUBLE BCD-TO-DOUBLE BINARY – BINL(58)



**Description**

When the execution condition is OFF, BINL(58) is not executed. When the execution condition is ON, BINL(58) converts an eight-digit number in S and S+1 into 32-bit binary data, and outputs the converted data to R and R+1.

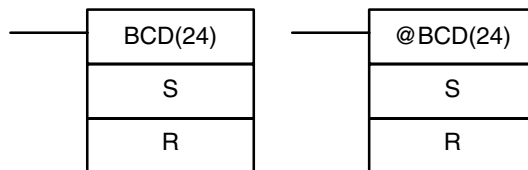


**Flags**

- ER:** The contents of S and/or S+1 words are not BCD.  
Indirectly addressed DM word is non-existent. (Content of \*DM word is not BCD, or the DM area boundary has been exceeded.)
- EQ:** ON when the result is zero.

**5-16-3 BINARY-TO-BCD – BCD(24)**

**Ladder Symbols**



**Operand Data Areas**

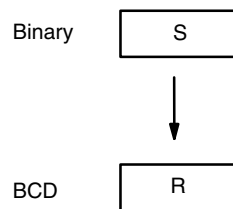
<b>S:</b> Source word (binary)
IR, SR, AR, DM, HR, LR
<b>R:</b> Result word
IR, AR, DM, HR, LR

**Limitations**

If the content of S exceeds 270F, the converted result would exceed 9999 and BCD(24) will not be executed. When the instruction is not executed, the content of R remains unchanged.

**Description**

BCD(24) converts the binary (hexadecimal) content of S into the numerically equivalent BCD bits, and outputs the BCD bits to R. Only the content of R is changed; the content of S is left unchanged.

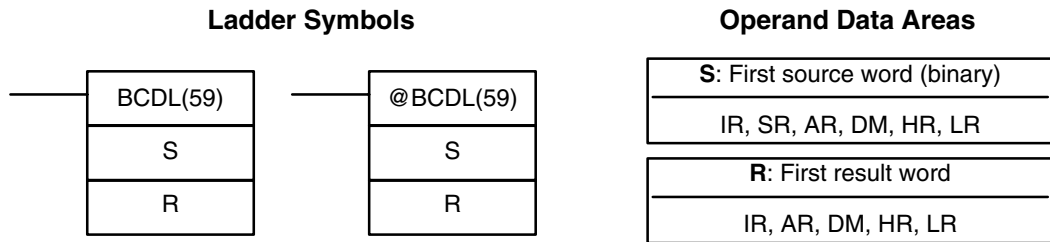


BCD(24) can be used to convert binary to BCD so that displays on the Programming Console or any other programming device will appear in decimal rather than hexadecimal. It can also be used to convert to BCD to perform BCD arithmetic operations rather than binary arithmetic operations, e.g., when BCD and binary values must be added.

**Flags**

- ER:** S is greater than 270F.  
Indirectly addressed DM word is non-existent. (Content of \*DM word is not BCD, or the DM area boundary has been exceeded.)
- EQ:** ON when the result is zero.

### 5-16-4 DOUBLE BINARY-TO-DOUBLE BCD – BCDL(59)

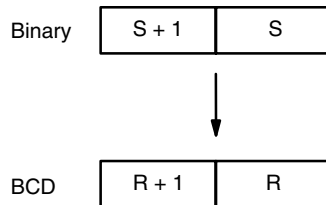


**Limitations**

If the content of S exceeds 05F5E0FF, the converted result would exceed 99999999 and BCDL(59) will not be executed. When the instruction is not executed, the content of R and R+1 remain unchanged.

**Description**

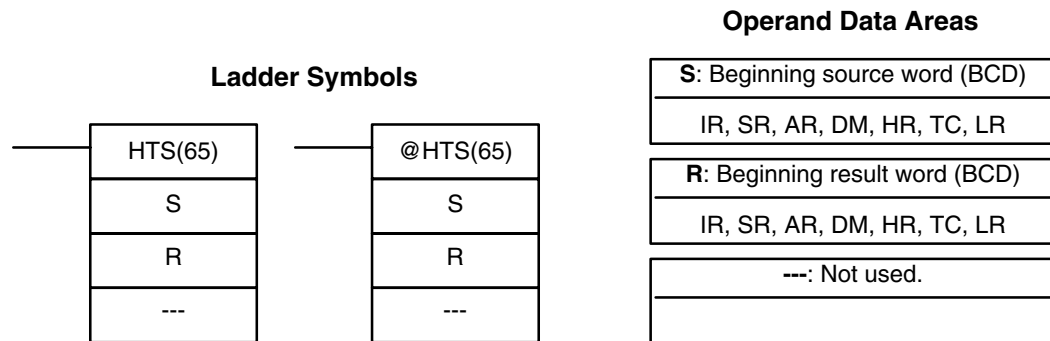
BCDL(59) converts the 32-bit binary content of S and S+1 into eight digits of BCD data, and outputs the converted data to R and R+1.



**Flags**

- ER:** Content of R and R+1 exceeds 99999999.  
Indirectly addressed DM word is non-existent. (Content of \*DM word is not BCD, or the DM area boundary has been exceeded.)
- EQ:** ON when the result is zero.

### 5-16-5 HOURS-TO-SECONDS – HTS(65)



**Limitations**

Can be performed with the CPU11-E only. S and S+1 must be within the same data area. R and R+1 must be within the same data area. S and S+1 must be BCD and must be in the proper hours/minutes/seconds format.

**Description**

HTS(65) is used to convert time notation in hours/minutes/seconds to an equivalent in just seconds.



For the source data, the seconds is designated in bits 00 through 07 and the minutes is designated in bits 08 through 15 of S. The hours is designated in S+1. The maximum is thus 9,999 hours, 59 minutes, and 59 seconds.

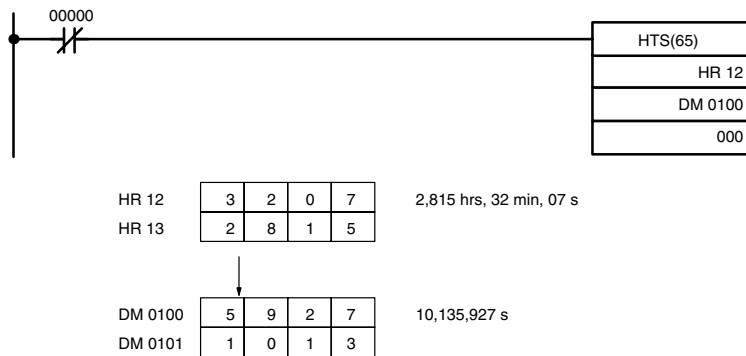
The results is output to R and R+1. The maximum obtainable value is 35,999,999 seconds.

**Flags**

- ER:** S and S+1 or R and R+1 are not in the same data area.  
S and/or S+1 do not contain BCD.  
Number of seconds and/or minutes exceeds 59.  
Indirectly addressed DM word is non-existent. (Content of \*DM word is not BCD, or the DM area boundary has been exceeded.)
- EQ:** Turns ON when the result is zero.

**Example**

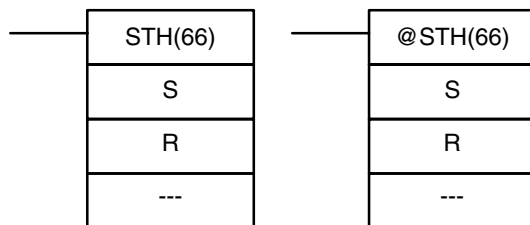
When 00000 is OFF (i.e., when the execution condition is ON), the following instruction would convert the hours, minutes, and seconds given in HR 12 and HR 13 to seconds and store the results in DM 0100 and DM 0101 as shown.



Address	Instruction	Operands
00000	LD NOT	00000
00001	HTS(65)	
		HR 12
		DM 0100
		000

**5-16-6 SECONDS-TO-HOURS – STH(66)**

**Ladder Symbols**



**Operand Data Areas**

<b>S:</b> Beginning source word (BCD)
IR, SR, AR, DM, HR, TC, LR
<b>R:</b> Beginning result word (BCD)
IR, SR, AR, DM, HR, TC, LR
---: Not used.

**Limitations**

Can be performed with the CPU11-E only. S and S+1 must be within the same data area. R and R+1 must be within the same data area. S and S+1 must be BCD and must be between 0 and 35,999,999 seconds.

**Description**

STH(66) is used to convert time notation in seconds to an equivalent in hour-s/minutes/seconds.

The number of seconds designated in S and S+1 is converted to hours/minutes/seconds and placed in R and R+1.

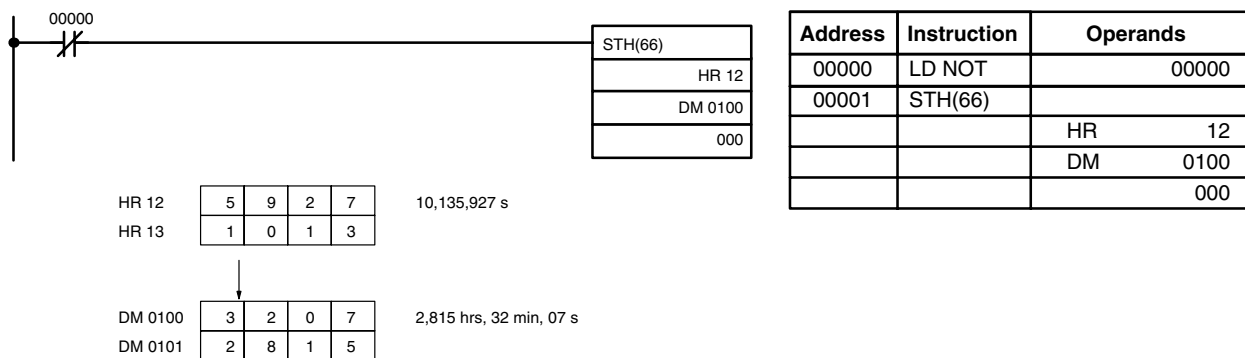
For the results, the seconds is placed in bits 00 through 07 and the minutes is placed in bits 08 through 15 of R. The hours is placed in R+1. The maximum will be 9,999 hours, 59 minutes, and 59 seconds.

**Flags**

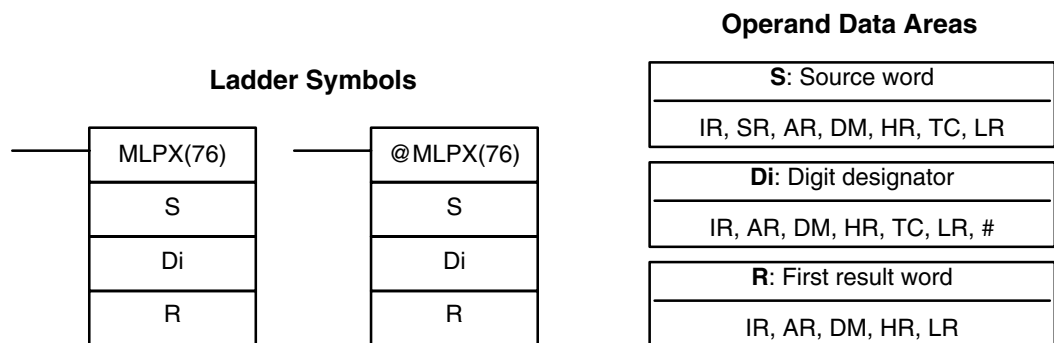
- ER:** S and S+1 or R and R+1 are not in the same data area.  
S and/or S+1 do not contain BCD or exceed 36,000,000 seconds.  
Indirectly addressed DM word is non-existent. (Content of \*DM word is not BCD, or the DM area boundary has been exceeded.)
- EQ:** Turns ON when the result is zero.

**Example**

When 00000 is OFF (i.e., when the execution condition is ON), the following instruction would convert the seconds given in HR 12 and HR 13 to hours, minutes, and seconds and store the results in DM 0100 and DM 0101 as shown.



**5-16-7 4-TO-16 DECODER – MLPX(76)**



**Limitations**

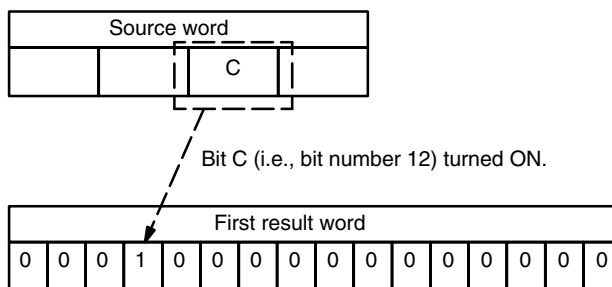
- The rightmost two digits of Di must each be between 0 and 3.
- All result words must be in the same data area.

**Description**

When the execution condition is OFF, MLPX(76) is not executed. When the execution condition is ON, MLPX(76) converts up to four, four-bit hexadecimal digits from S into decimal values from 0 to 15, each of which is used to indicate a bit position. The bit whose number corresponds to each converted value is then turned ON in a result word. If more than one digit is specified,

then one bit will be turned ON in each of consecutive words beginning with R. (See examples, below.)

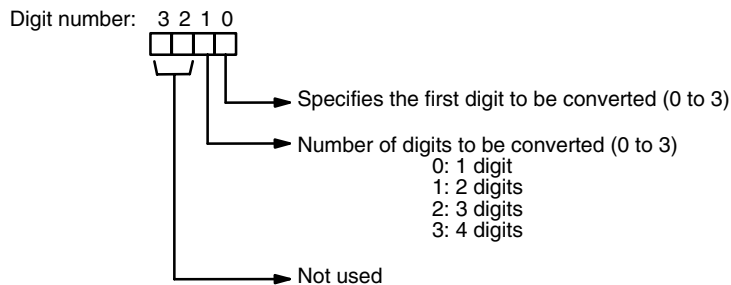
The following is an example of a one-digit decode operation from digit number 1 of S, i.e., here Di would be 0001.



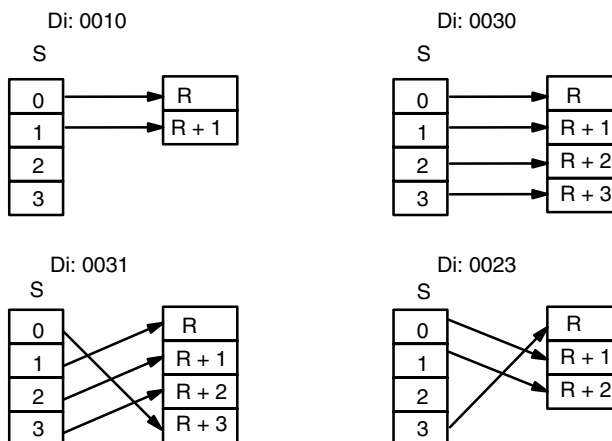
The first digit and the number of digits to be converted are designated in Di. If more digits are designated than remain in S (counting from the designated first digit), the remaining digits will be taken starting back at the beginning of S. The final word required to store the converted result (R plus the number of digits to be converted) must be in the same data area as R, e.g., if two digits are converted, the last word address in a data area cannot be designated; if three digits are converted, the last two words in a data area cannot be designated.

**Digit Designator**

The digits of Di are set as shown below.



Some example Di values and the digit-to-word conversions that they produce are shown below.

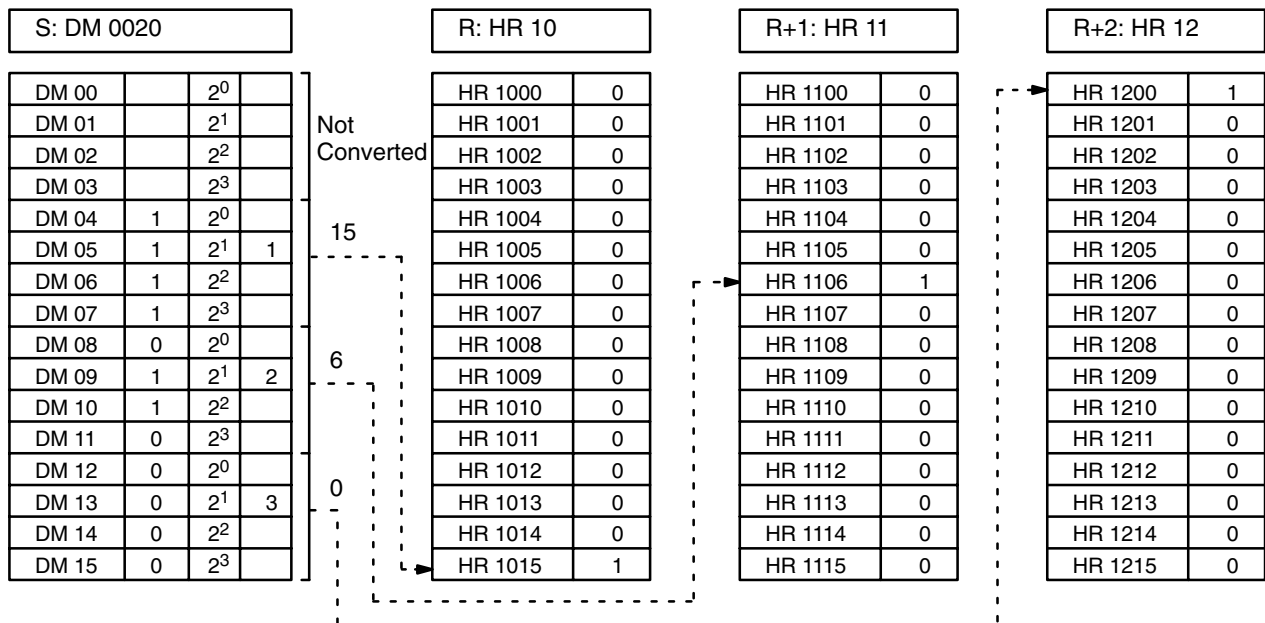
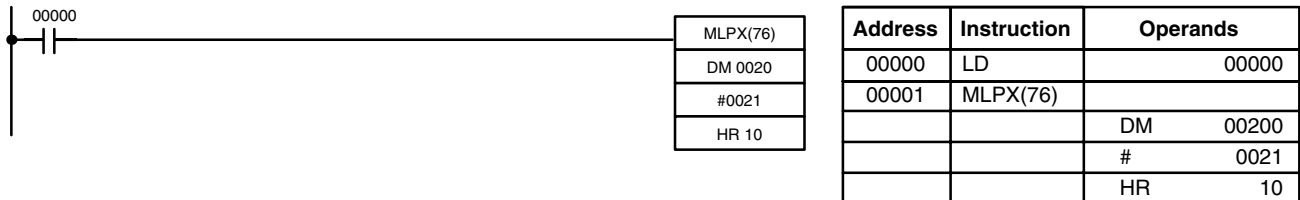


**Flags**

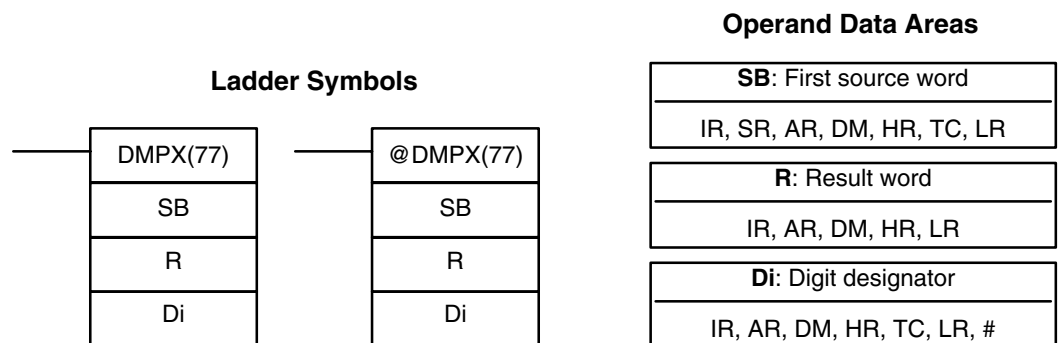
**ER:** Undefined digit designator, or R plus number of digits exceeds a data area.  
Indirectly addressed DM word is non-existent. (Content of \*DM word is not BCD, or the DM area boundary has been exceeded.)

**Example**

The following program converts three digits of data from DM 0020 to bit positions and turns ON the corresponding bits in three consecutive words starting with HR 10.



**5-16-8 16-TO-4 ENCODER – DMPX(77)**



**Limitations**

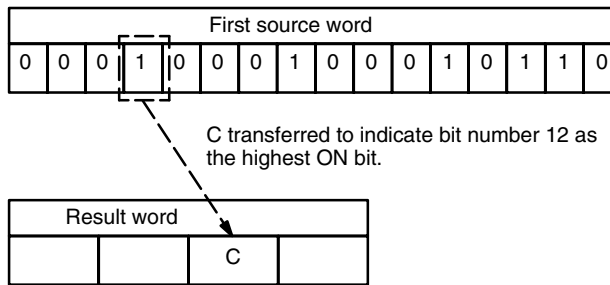
The rightmost two digits of Di must each be between 0 and 3.

All source words must be in the same data area.

**Description**

When the execution condition is OFF, DMPX(77) is not executed. When the execution condition is ON, DMPX(77) determines the position of the highest ON bit in S, encodes it into single-digit hexadecimal value corresponding to the bit number of the highest ON bit number, then transfers the hexadecimal value to the specified digit in R. The digits to receive the results are specified in Di, which also specifies the number of digits to be encoded.

The following is an example of a one-digit encode operation to digit number 1 of R, i.e., here Di would be 0001.

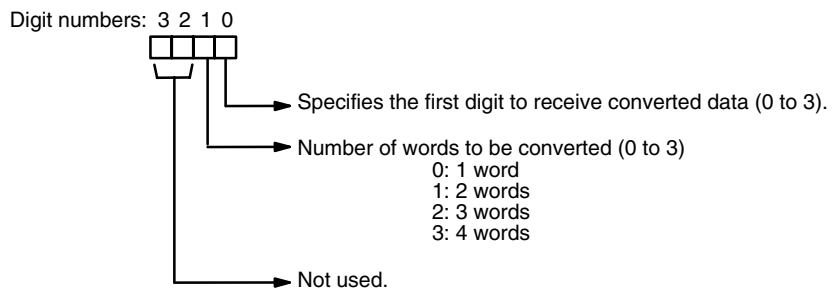


Up to four digits from four consecutive source words starting with S may be encoded and the digits written to R in order from the designated first digit. If more digits are designated than remain in R (counting from the designated first digit), the remaining digits will be placed at digits starting back at the beginning of R.

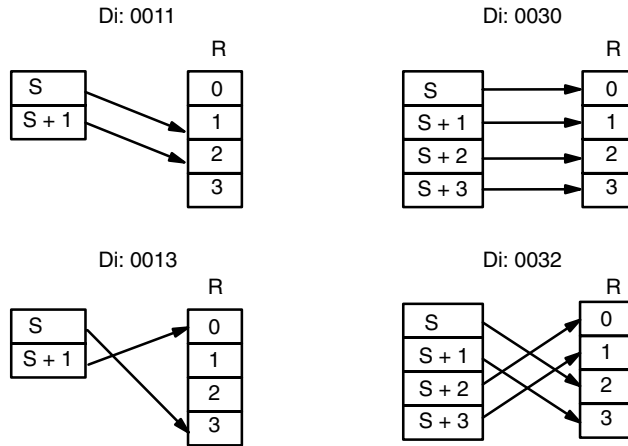
The final word to be converted (S plus the number of digits to be converted) must be in the same data area as SB.

**Digit Designator**

The digits of Di are set as shown below.



Some example Di values and the word-to-digit conversions that they produce are shown below.



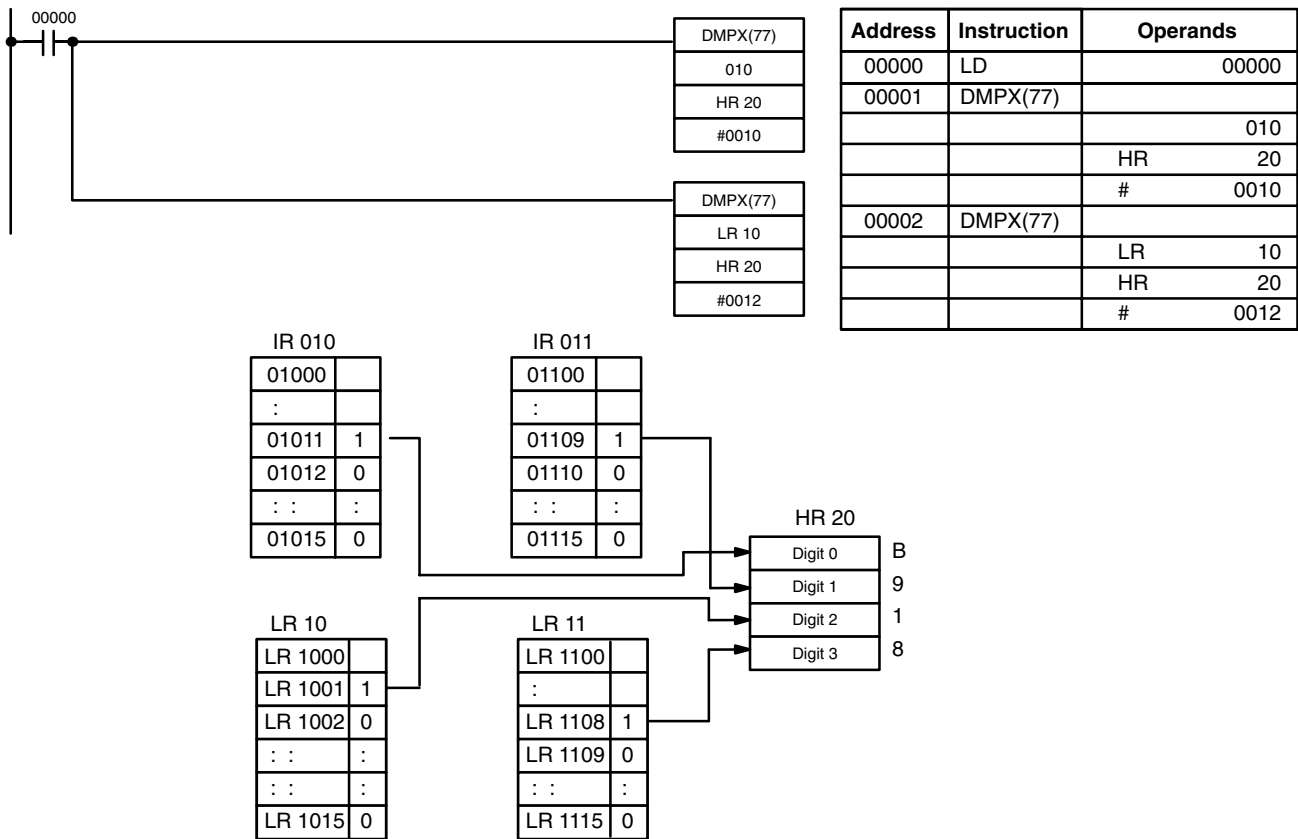
**Flags**

**ER:** Undefined digit designator, or S plus number of digits exceeds a data area.  
 Content of a source word is zero.  
 Indirectly addressed DM word is non-existent. (Content of \*DM word is not BCD, or the DM area boundary has been exceeded.)

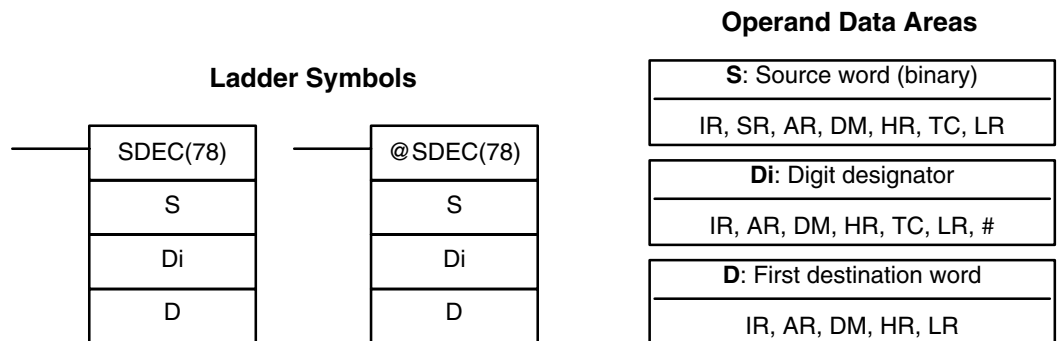
**Example**

When 00000 is ON, the following diagram encodes IR words 010 and 011 to the first two digits of HR 20 and then encodes LR 10 and 11 to the last two digits of HR 20. Although the status of each source word bit is not shown, it is

assumed that the bit with status 1 (ON) shown is the highest bit that is ON in the word.



### 5-16-9 7-SEGMENT DECODER – SDEC(78)



**Limitations**

Di must be within the values given below  
 All destination words must be in the same data area.

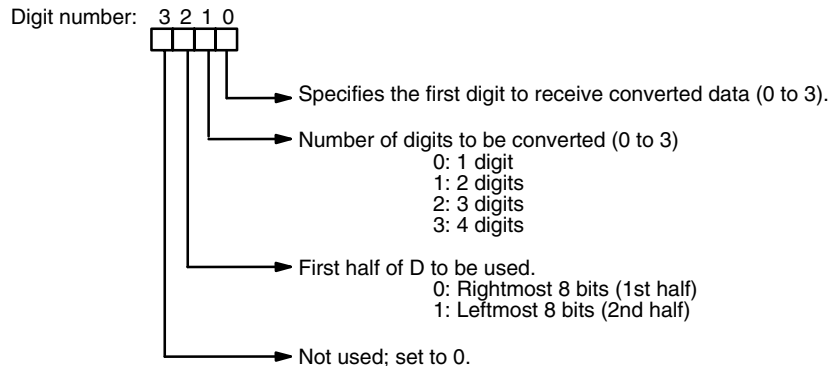
**Description**

When the execution condition is OFF, SDEC(78) is not executed. When the execution condition is ON, SDEC(78) converts the designated digit(s) of S into the equivalent 8-bit, 7-segment display code and places it into the destination word(s) beginning with D.  
 Any or all of the digits in S may be converted in sequence from the designated first digit. The first digit, the number of digits to be converted, and the

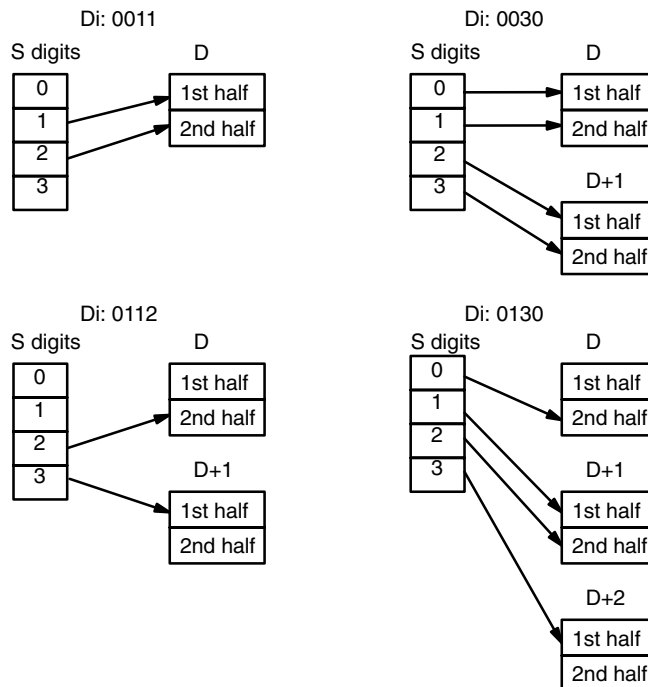
half of D to receive the first 7-segment display code (rightmost or leftmost 8 bits) are designated in Di. If multiple digits are designated, they will be placed in order starting from the designated half of D, each requiring two digits. If more digits are designated than remain in S (counting from the designated first digit), further digits will be used starting back at the beginning of S.

**Digit Designator**

The digits of Di are set as shown below.



Some example Di values and the 4-bit binary to 7-segment display conversions that they produce are shown below.

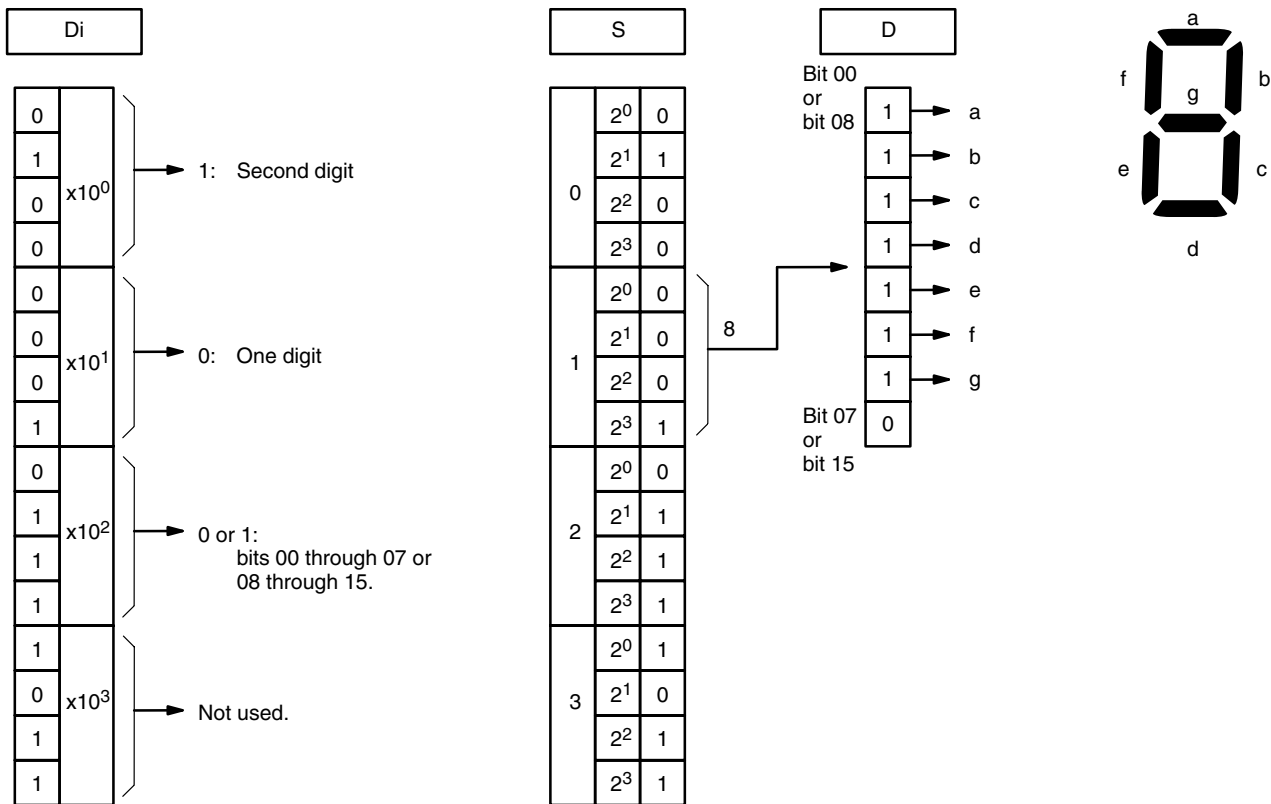


**Example**

The following example shows the data to produce an 8. The lower case letters show which bits correspond to which segments of the 7-segment display.



The table underneath shows the original data and converted code for all hexadecimal digits.

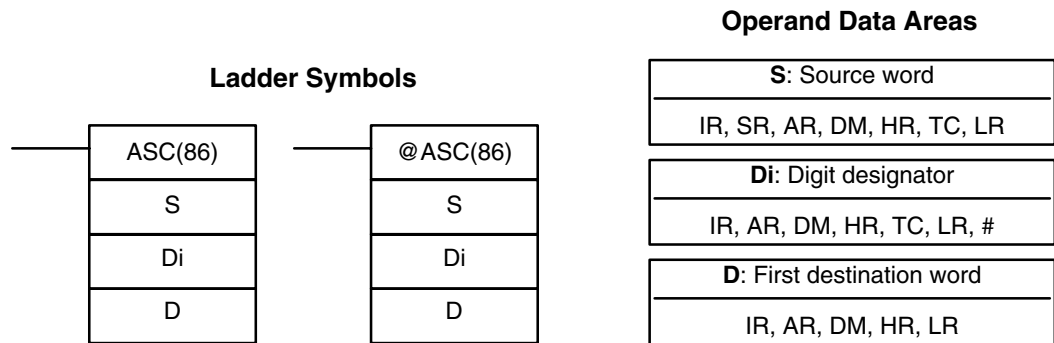


Digit	Original data				Converted code (segments)								Display
	Bits				-	g	f	e	d	c	b	a	
0	0	0	0	0	0	0	1	1	1	1	1	1	0
1	0	0	0	1	0	0	0	0	0	1	1	0	1
2	0	0	1	0	0	1	0	1	1	0	1	1	2
3	0	0	1	1	0	1	0	0	1	1	1	1	3
4	0	1	0	0	0	1	1	0	0	1	1	0	4
5	0	1	0	1	0	1	1	0	1	1	0	1	5
6	0	1	1	0	0	1	1	1	1	1	0	1	6
7	0	1	1	1	0	0	1	0	0	1	1	1	7
8	1	0	0	0	0	1	1	1	1	1	1	1	8
9	1	0	0	1	0	1	1	0	1	1	1	1	9
A	1	0	1	0	0	1	1	1	0	1	1	1	A
B	1	0	1	1	0	1	1	1	1	1	0	0	b
C	1	1	0	0	0	0	1	1	1	0	0	1	c
D	1	1	0	1	0	1	0	1	1	1	1	0	d
E	1	1	1	0	0	1	1	1	1	0	0	1	E
F	1	1	1	1	0	1	1	1	0	0	0	1	F

**Flags**

**ER:** Incorrect digit designator, or data area for destination exceeded  
Indirectly addressed DM word is non-existent. (Content of \*DM word is not BCD, or the DM area boundary has been exceeded.)

### 5-16-10 ASCII CONVERT – ASC(86)



**Limitations**

Di must be within the values given below

All destination words must be in the same data area.

**Description**

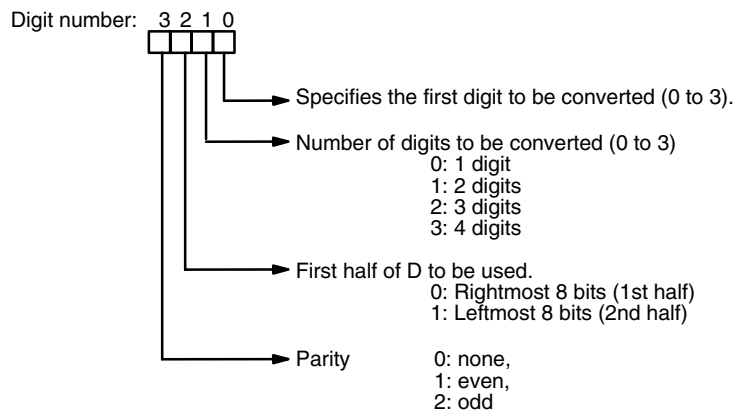
When the execution condition is OFF, ASC(86) is not executed. When the execution condition is ON, ASC(86) converts the designated digit(s) of S into the equivalent 8-bit ASCII code and places it into the destination word(s) beginning with D.

Any or all of the digits in S may be converted in order from the designated first digit. The first digit, the number of digits to be converted, and the half of D to receive the first ASCII code (rightmost or leftmost 8 bits) are designated in Di. If multiple digits are designated, they will be placed in order starting from the designated half of D, each requiring two digits. If more digits are designated than remain in S (counting from the designated first digit), further digits will be used starting back at the beginning of S.

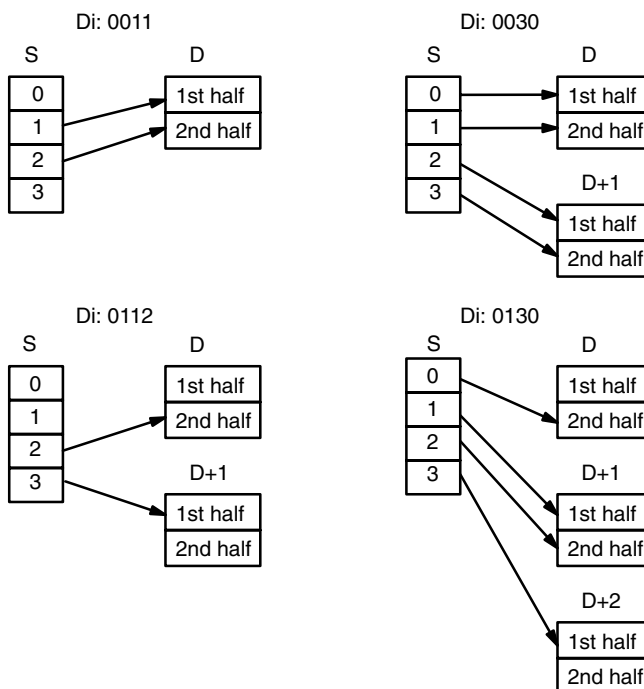
Refer to *Appendix I* for a table of extended ASCII characters.

**Digit Designator**

The digits of Di are set as shown below.



Some examples of Di values and the 4-bit binary to 8-bit ASCII conversions that they produce are shown below.



## Parity

The leftmost bit of each ASCII character (2 digits) can be automatically adjusted for either even or odd parity. If no parity is designated, the leftmost bit will always be zero.

When even parity is designated, the leftmost bit will be adjusted so that the total number of ON bits is even, e.g., when adjusted for even parity, ASCII "31" (00110001) will be "B1" (10110001: parity bit turned ON to create an even number of ON bits); ASCII "36" (00110110) will be "36" (00110110: parity bit turned OFF because the number of ON bits is already even). The status of the parity bit does not affect the meaning of the ASCII code.

When odd parity is designated, the leftmost bit of each ASCII character will be adjusted so that there is an odd number of ON bits.

## Flags

**ER:** Incorrect digit designator, or data area for destination exceeded.  
Indirectly addressed DM word is non-existent. (Content of \*DM word is not BCD, or the DM area boundary has been exceeded.)

## 5-17 BCD Calculations

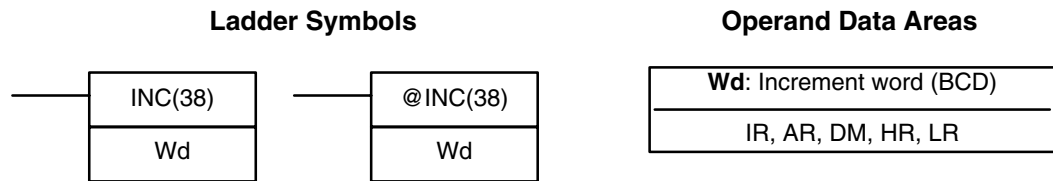
The BCD calculation instructions – INC(38), DEC(39), ADD(30), ADDL(54), SUB(31), SUBL(55), MUL(32), MULL(56), DIV(33), DIVL(57), FDIV(79), and ROOT(72) – all perform arithmetic operations on BCD data.

For INC(38) and DEC(39) the source and result words are the same. That is, the content of the source word is overwritten with the instruction result. All other instructions change only the content of the words in which results are placed, i.e., the contents of source words are the same before and after execution of any of the other BCD calculation instructions.

STC(40) and CLC(41), which set and clear the carry flag, are included in this group because most of the BCD operations make use of the Carry Flag (CY) in their results. Binary calculations and shift operations also use CY.

The addition and subtraction instructions include CY in the calculation as well as in the result. Be sure to clear CY if its previous status is not required in the calculation, and to use the result placed in CY, if required, before it is changed by execution of any other instruction.

### 5-17-1 INCREMENT – INC(38)



#### Description

When the execution condition is OFF, INC(38) is not executed. When the execution condition is ON, INC(38) increments Wd, without affecting Carry (CY).

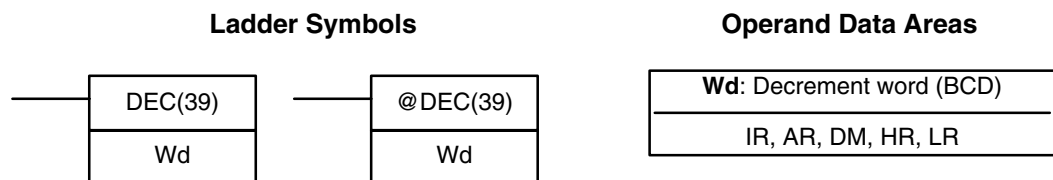
#### Flags

**ER:** Wd is not BCD

Indirectly addressed DM word is non-existent. (Content of \*DM word is not BCD, or the DM area boundary has been exceeded.)

**EQ:** ON when the incremented result is 0.

### 5-17-2 DECREMENT – DEC(39)



#### Description

When the execution condition is OFF, DEC(39) is not executed. When the execution condition is ON, DEC(39) decrements Wd, without affecting CY. DEC(39) works the same way as INC(38) except that it decrements the value instead of incrementing it.

#### Flags

**ER:** Wd is not BCD

Indirectly addressed DM word is non-existent. (Content of \*DM word is not BCD, or the DM area boundary has been exceeded.)

**EQ:** ON when the decremented result is 0.

### 5-17-3 SET CARRY – STC(40)

#### Ladder Symbols



When the execution condition is OFF, STC(40) is not executed. When the execution condition is ON, STC(40) turns ON CY (SR 25504).

### 5-17-4 CLEAR CARRY – CLC(41)

**Ladder Symbols**

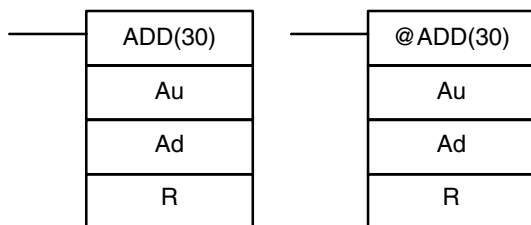


When the execution condition is OFF, CLC(41) is not executed. When the execution condition is ON, CLC(41) turns OFF CY (SR 25504).

CLEAR CARRY is used to reset (turn OFF) CY (SR 25504) to “0”.

### 5-17-5 BCD ADD – ADD(30)

**Ladder Symbols**



**Operand Data Areas**

<b>Au:</b> Augend word (BCD)
IR, SR, AR, DM, HR, TC, LR, #
<b>Ad:</b> Addend word (BCD)
IR, SR, AR, DM, HR, TC, LR, #
<b>R:</b> Result word
IR, AR, DM, HR, LR

**Description**

When the execution condition is OFF, ADD(30) is not executed. When the execution condition is ON, ADD(30) adds the contents of Au, Ad, and CY, and places the result in R. CY will be set if the result is greater than 9999.

$$\boxed{\text{Au}} + \boxed{\text{Ad}} + \boxed{\text{CY}} \rightarrow \boxed{\text{CY}} \quad \boxed{\text{R}}$$

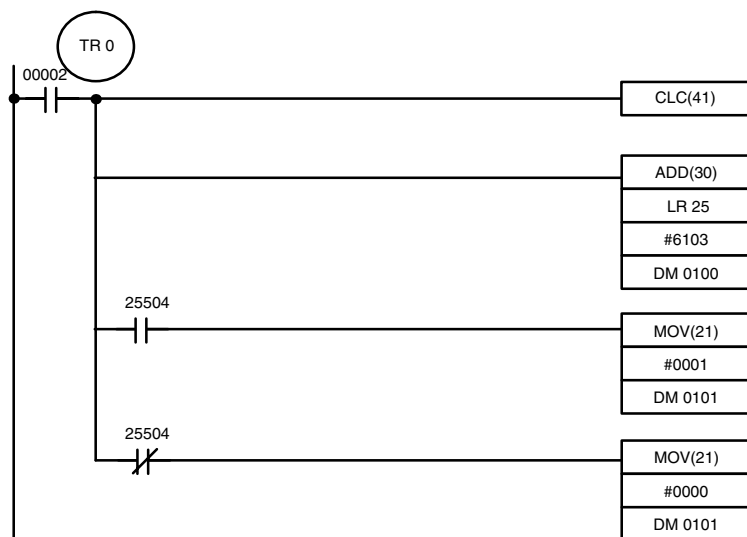
**Flags**

- ER:** Au and/or Ad is not BCD.  
Indirectly addressed DM word is non-existent. (Content of \*DM word is not BCD, or the DM area boundary has been exceeded.)
- CY:** ON when there is a carry in the result.
- EQ:** ON when the result is 0.

**Example**

If 00002 is ON, the program represented by the following diagram clears CY with CLC(41), adds the content of LR 25 to a constant (6103), places the result in DM 0100, and then moves either all zeros or 0001 into DM 0101 depending on the status of CY (25504). This ensures that any carry from the

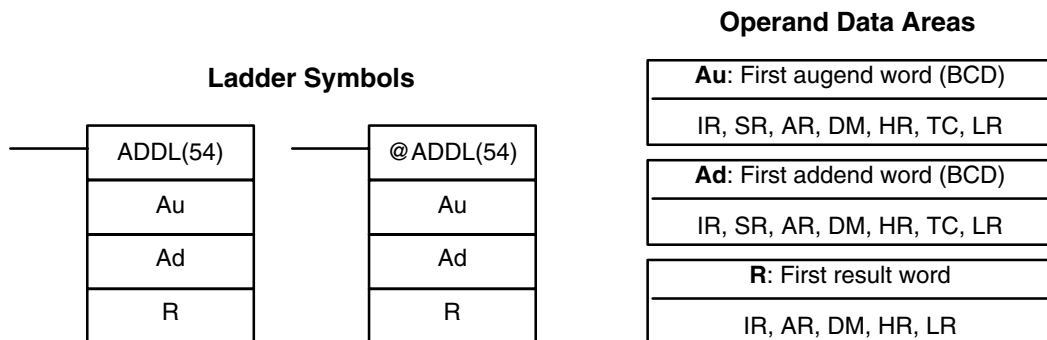
last digit is preserved in R+1 so that the entire result can be later handled as eight-digit data.



Address	Instruction	Operands
00000	LR	00002
00001	OUT	TR 0
00002	CLC(41)	
00003	AND(30)	
		LR 25
		# 6103
		DM 0100
00004	AND	25504
00005	MOV(21)	
		# 0001
		DM 0101
00006	LD	TR 0
00007	AND NOT	25504
00008	MOV(21)	
		# 0000
		DM 0101

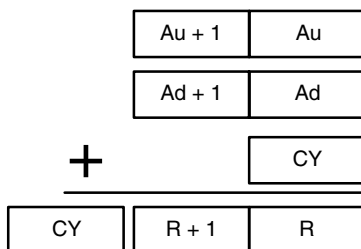
Although two ADD(30) can be used together to perform eight-digit BCD addition, ADDL(54) is designed specifically for this purpose.

### 5-17-6 DOUBLE BCD ADD – ADDL(54)



**Description**

When the execution condition is OFF, ADDL(54) is not executed. When the execution condition is ON, ADDL(54) adds the contents of CY to the 8-digit value in Au and Au+1 to the 8-digit value in Ad and Ad+1, and places the result in R and R+1. CY will be set if the result is greater than 99999999.

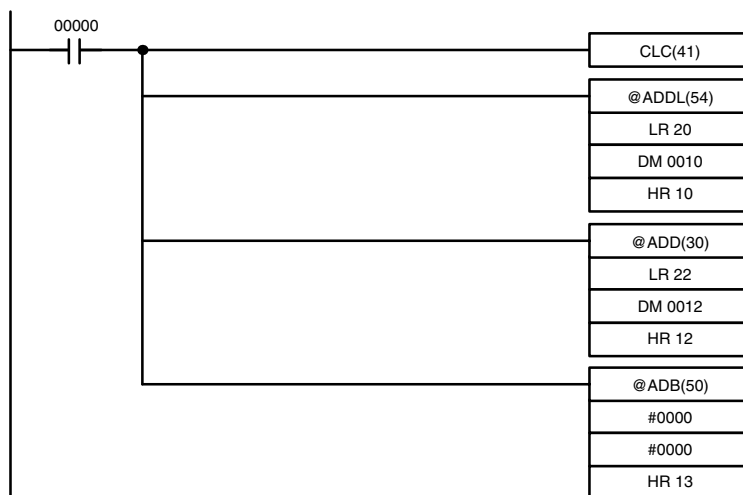


**Flags**

- ER:** Au and/or Ad is not BCD.  
Indirectly addressed DM word is non-existent. (Content of \*DM word is not BCD, or the DM area boundary has been exceeded.)
- CY:** ON when there is a carry in the result.
- EQ:** ON when the result is 0.

**Example**

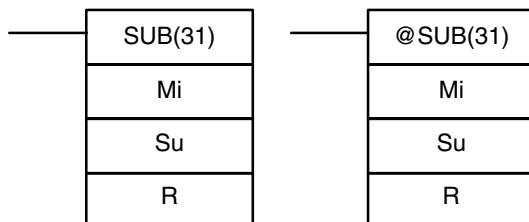
When 00000 is ON, the following program adds two 12-digit numbers, the first contained in LR 20 through LR 22 and the second in DM 0012. The result is placed in LR 10 through HR 13. In the second addition (using ADD(30)), any carry from the first addition is included. The carry from the second addition is placed in HR 13 by using @ADB(50) (see Section 5-18-1) with two all-zero constants to indirectly place the content of CY into HR 13.



Address	Instruction	Operands
00000	LD	00000
00001	CLC(41)	
00002	@ADDL(54)	
		LR 20
		DM 0010
		HR 10
00003	@ADD(30)	
		LR 22
		DM 0012
		HR 12
00004	@ADB(50)	
		# 0000
		# 0000
		HR 13

**5-17-7 BCD SUBTRACT – SUB(31)**

**Ladder Symbols**



**Operand Data Areas**

<b>Mi:</b> Minuend word (BCD)
IR, SR, AR, DM, HR, TC, LR, #
<b>Su:</b> Subtrahend word (BCD)
IR, SR, AR, DM, HR, TC, LR, #
<b>R:</b> Result word
IR, AR, DM, HR, LR

**Description**

When the execution condition is OFF, SUB(31) is not executed. When the execution condition is ON, SUB(31) subtracts the contents of Su and CY from Mi, and places the result in R. If the result is negative, CY is set and the 10's complement of the actual result is placed in R. To convert the 10's complement to the true result, subtract the content of R from zero (see example below).

$$\boxed{Mi} - \boxed{Su} - \boxed{CY} \rightarrow \boxed{CY} \quad \boxed{R}$$

<b>Flags</b>	<b>ER:</b> Mi and/or Su is not BCD. Indirectly addressed DM word is non-existent. (Content of *DM word is not BCD, or the DM area boundary has been exceeded.)
	<b>CY:</b> ON when the result is negative, i.e., when Mi is less than Su plus CY.
	<b>EQ:</b> ON when the result is 0.

**Caution** Be sure to clear the carry flag with CLC(41) before executing SUB(31) if its previous status is not required, and check the status of CY after doing a subtraction with SUB(31). If CY is ON as a result of executing SUB(31) (i.e., if the result is negative), the result is output as the 10's complement of the true answer. To convert the output result to the true value, subtract the value in R from 0.

**Example**

When 00002 is ON, the following ladder program clears CY, subtracts the contents of DM 0100 and CY from the content of 010 and places the result in HR 20.

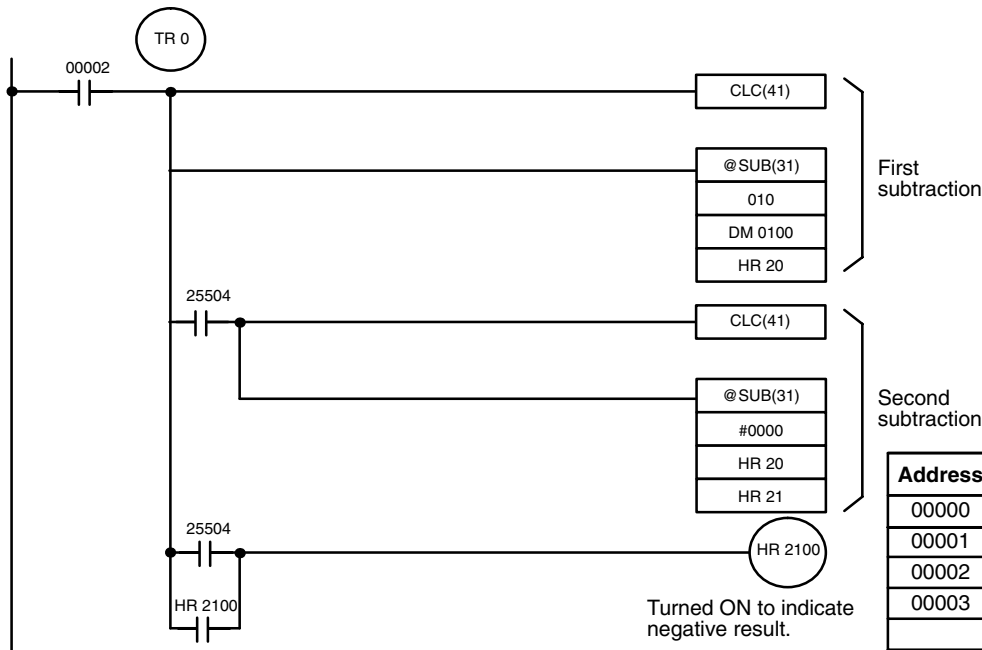
If CY is set by executing SUB(31), the result in HR 20 is subtracted from zero (note that CLC(41) is again required to obtain an accurate result), the result is placed back in HR 20, and HR 2100 is turned ON to indicate a negative result.

If CY is not set by executing SUB(31), the result is positive, the second subtraction is not performed, and HR 2100 is not turned ON. HR 2100 is programmed as a self-maintaining bit so that a change in the status of CY will not turn it OFF when the program is recycled.

In this example, differentiated forms of SUB(31) are used so that the subtraction operation is performed only once each time 00002 is turned ON. When another subtraction operation is to be performed, 00002 will need to be



turned OFF for at least one cycle (resetting HR 2100) and then turned back ON.



Address	Instruction	Operands
00000	LD	00002
00001	OUT	TR 0
00002	CLC(41)	
00003	@SUB(31)	
		010
		DM 0100
		HR 20
00004	AND	25504
00005	CLC(41)	
00006	@SUB(31)	
		# 0000
		HR 20
		HR 20
00007	LD	TR 0
00008	AND	25504
00009	OR	HR 2100
00010	OUT	HR 2100

The first and second subtractions for this diagram are shown below using example data for 010 and DM 0100.

**Note** The actual SUB(31) operation involves subtracting Su and CY from 10,000 plus Mi. For positive results the leftmost digit is truncated. For negative results the 10s complement is obtained. The procedure for establishing the correct answer is given below.

**First Subtraction**

IR 010 1029  
 DM 0100 - 3452  
CY - 0

HR 20 7577 (1029 + (10000 - 3452))  
 CY 1 (negative result)

**Second Subtraction**

```

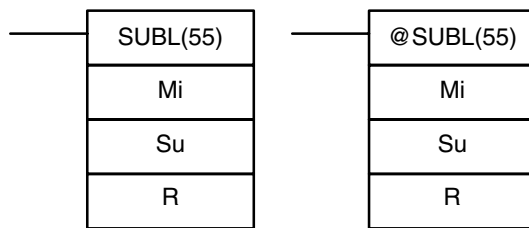
0000
HR 20 -7577
CY   -0

HR 20 2423 (0000 + (10000 - 7577))
CY   1    (negative result)
    
```

In the above case, the program would turn ON HR 2100 to indicate that the value held in HR 20 is negative.

**5-17-8 DOUBLE BCD SUBTRACT – SUBL(55)**

**Ladder Symbols**

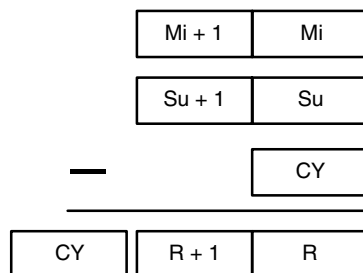


**Operand Data Areas**

<b>Mi:</b> First minuend word (BCD)
IR, SR, AR, DM, HR, TC, LR, #
<b>Su:</b> First subtrahend word (BCD)
IR, SR, AR, DM, HR, TC, LR, #
<b>R:</b> First result word
IR, AR, DM, HR, LR

**Description**

When the execution condition is OFF, SUBL(55) is not executed. When the execution condition is ON, SUBL(55) subtracts CY and the 8-digit contents of Su and Su+1 from the 8-digit value in Mi and Mi+1, and places the result in R and R+1. If the result is negative, CY is set and the 10's complement of the actual result is placed in R. To convert the 10's complement to the true result, subtract the content of R from zero. Since an 8-digit constant cannot be directly entered, use the BSET(71) instruction (see Section 5-14-5) to create an 8-digit constant.



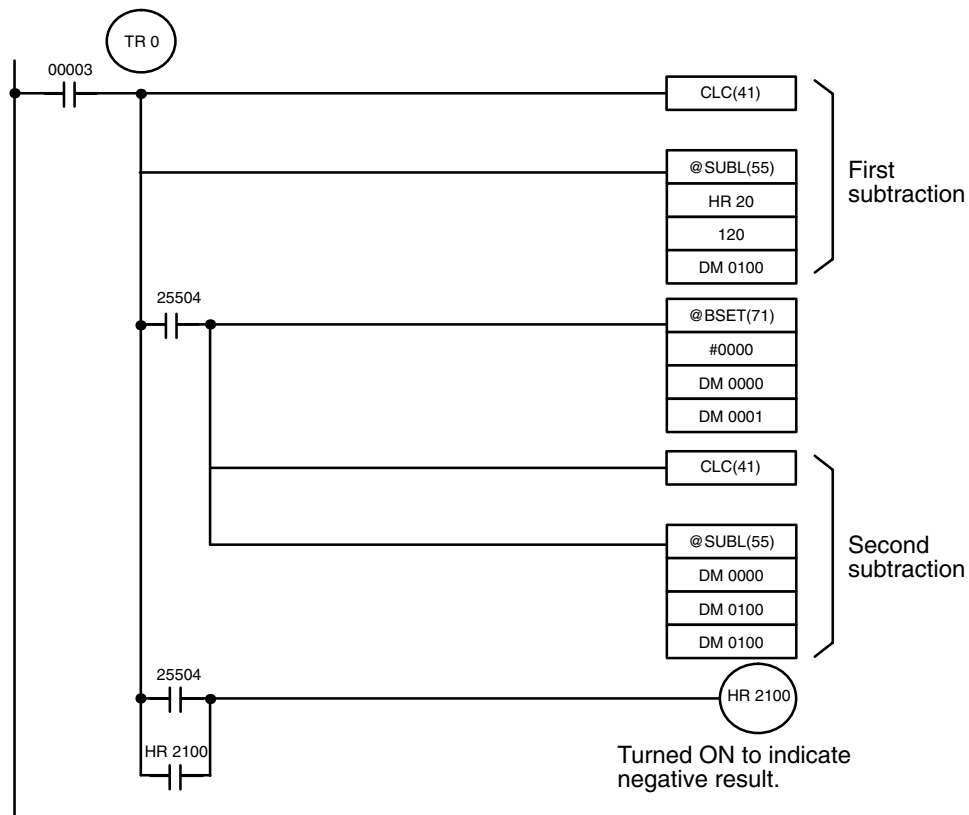
**Flags**

- ER:** Mi, M+1, Su, or Su+1 are not BCD.  
Indirectly addressed DM word is non-existent. (Content of \*DM word is not BCD, or the DM area boundary has been exceeded.)
- CY:** ON when the result is negative, i.e., when Mi is less than Su.
- EQ:** ON when the result is 0.

**Example**

The following example works much like that for single-word subtraction. In this example, however, BSET(71) is required to clear the content of DM 0000

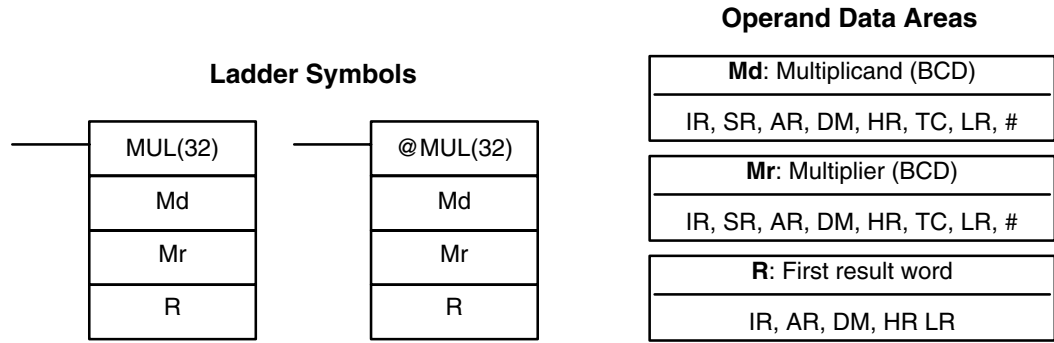
and DM 0001 so that a negative result can be subtracted from 0 (inputting an 8-digit constant is not possible).



Address	Instruction	Operands
00000	LD	00003
00001	OUT	TR 0
00002	CLC(41)	
00003	@SUBL(55)	
		HR 20
		120
		DM 0100
00004	AND	25504
00005	@BSET(71)	
		# 0000
		DM 0000
		DM 0001

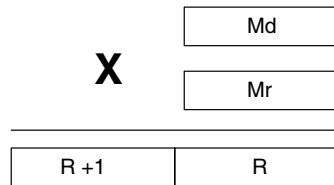
Address	Instruction	Operands
00006	CLC(41)	
00007	@SUBL(55)	
		DM 0000
		DM 0100
		DM 0100
00008	LD	TR 0
00009	AND	25504
00010	OR	HR 2100
00011	OUT	HR 2100

### 5-17-9 BCD MULTIPLY – MUL(32)



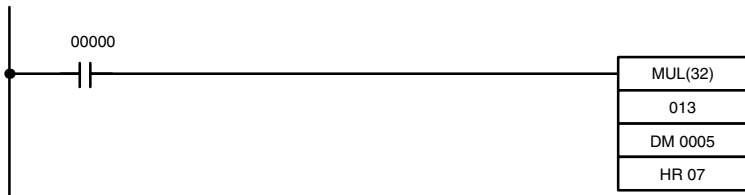
**Description**

When the execution condition is OFF, MUL(32) is not executed. When the execution condition is ON, MUL(32) multiplies Md by the content of Mr, and places the result in R and R+1.

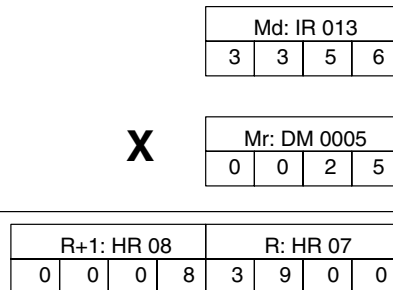


**Example**

When IR 00000 is ON with the following program, the contents of IR 013 and DM 0005 are multiplied and the result is placed in HR 07 and HR 08. Example data and calculations are shown below the program.



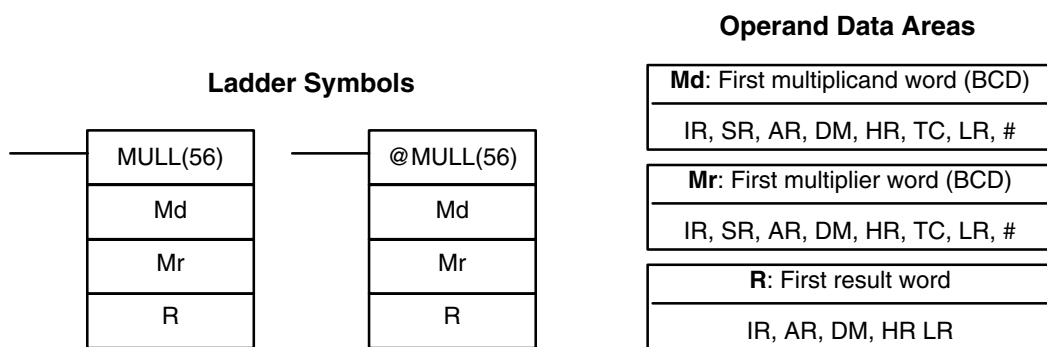
Address	Instruction	Operands
00000	LD	00000
00001	MUL(32)	
		013
		DM 00005
		HR 07



**Flags**

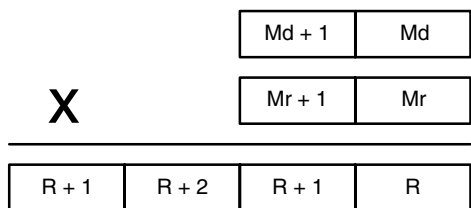
- ER:** Md and/or Mr is not BCD.  
Indirectly addressed DM word is non-existent. (Content of \*DM word is not BCD, or the DM area boundary has been exceeded.)
- CY:** ON when there is a carry in the result.
- EQ:** ON when the result is 0.

### 5-17-10 DOUBLE BCD MULTIPLY – MULL(56)



**Description**

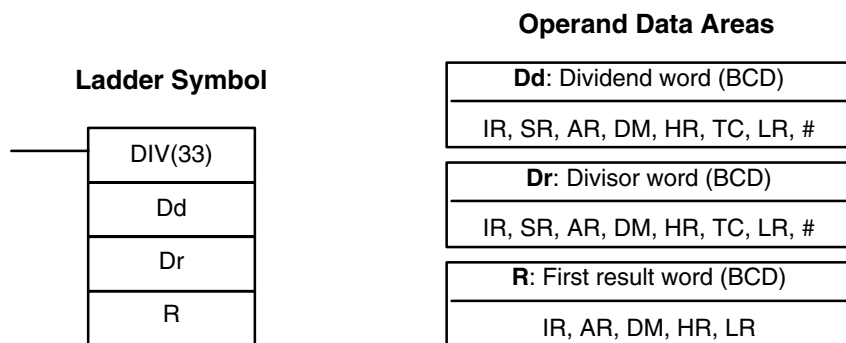
When the execution condition is OFF, MULL(56) is not executed. When the execution condition is ON, MULL(56) multiplies the eight-digit content of Md and Md+1 by the content of Mr and Mr+1, and places the result in R to R+3.



**Flags**

- ER:** Md, Md+1, Mr, or Mr+1 is not BCD.  
Indirectly addressed DM word is non-existent. (Content of \*DM word is not BCD, or the DM area boundary has been exceeded.)
- CY:** ON when there is a carry in the result.
- EQ:** ON when the result is 0.

### 5-17-11 BCD DIVIDE – DIV(33)



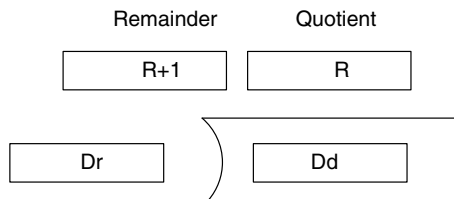
**Limitations**

R and R+1 must be in the same data area.

**Description**

When the execution condition is OFF, DIV(33) is not executed and the program moves to the next instruction. When the execution condition is ON, Dd

is divided by Dr and the result is placed in R and R + 1: the quotient in R and the remainder in R + 1.



**Flags**

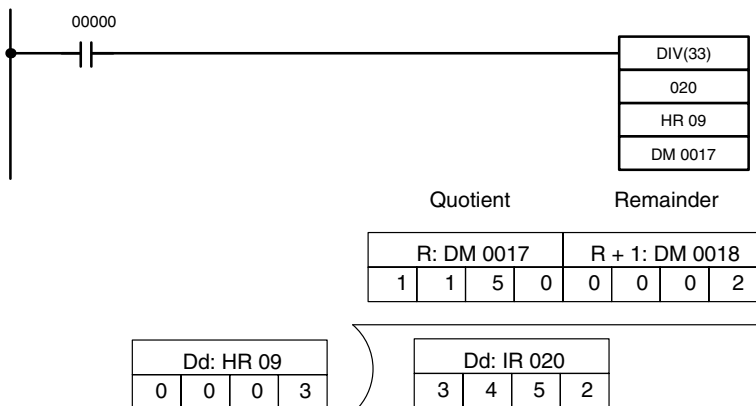
**ER:** Dd or Dr is not in BCD.

Indirectly addressed DM word is non-existent. (Content of \*DM word is not BCD, or the DM area boundary has been exceeded.)

**EQ:** ON when the result is 0.

**Example**

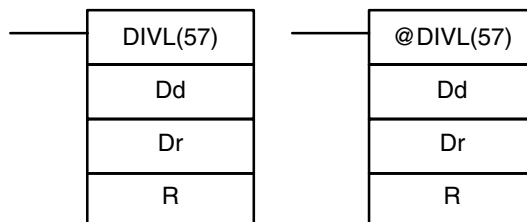
When IR 00000 is ON with the following program, the content of IR 020 is divided by the content of HR 09 and the result is placed in DM 0017 and DM 0018. Example data and calculations are shown below the program.



Address	Instruction	Operands
00000	LD	00000
00001	DIV(33)	
		020
		HR 09
		DM 0017

**5-17-12 DOUBLE BCD DIVIDE – DIVL(57)**

**Ladder Symbols**



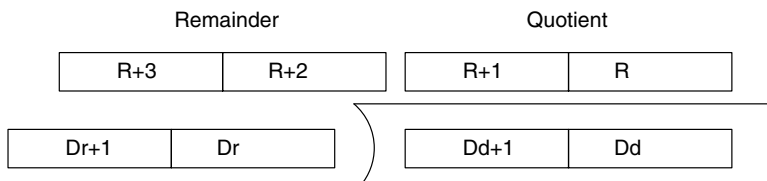
**Operand Data Areas**

<b>Dd:</b> First dividend word (BCD)
IR, SR, AR, DM, HR, TC, LR
<b>Dr:</b> First divisor word (BCD)
IR, SR, AR, DM, HR, TC, LR
<b>R:</b> First result word
IR, AR, DM, HR LR

**Description**

When the execution condition is OFF, DIVL(57) is not executed. When the execution condition is ON, DIVL(57) the eight-digit content of Dd and D+1 is

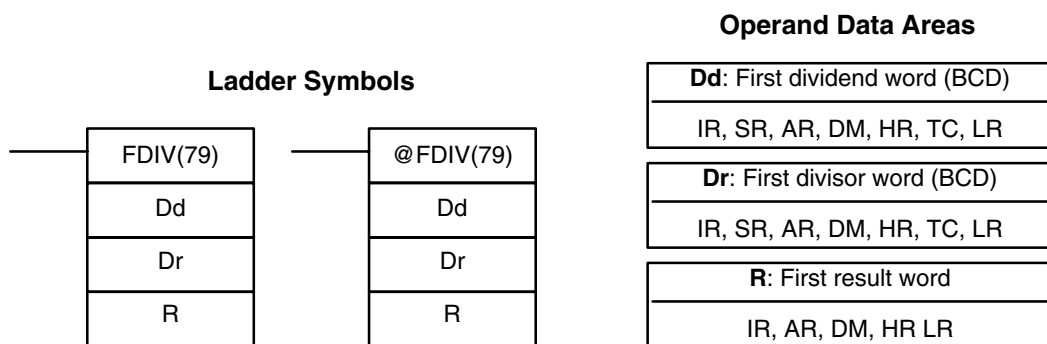
divided by the content of Dr and Dr+1 and the result is placed in R to R+3: the quotient in R and R+1, the remainder in R+2 and R+3.



**Flags**

- ER:** Dr and Dr+1 contain 0.  
Dd, Dd+1, Dr, or Dr+1 is not BCD.  
Indirectly addressed DM word is non-existent. (Content of \*DM word is not BCD, or the DM area boundary has been exceeded.)
- EQ:** ON when the result is 0.

**5-17-13 FLOATING POINT DIVIDE – FDIV(79)**

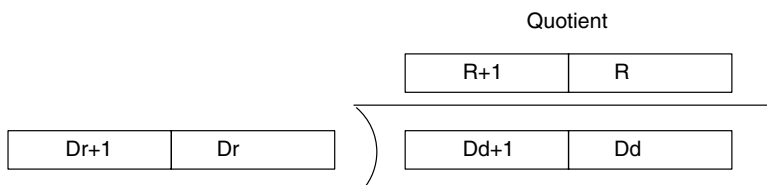


**Limitations**

Dr and Dr+1 cannot contain zero. Dr and Dr+1 must be in the same data area, as must Dd and Dd+1; R and R+1.

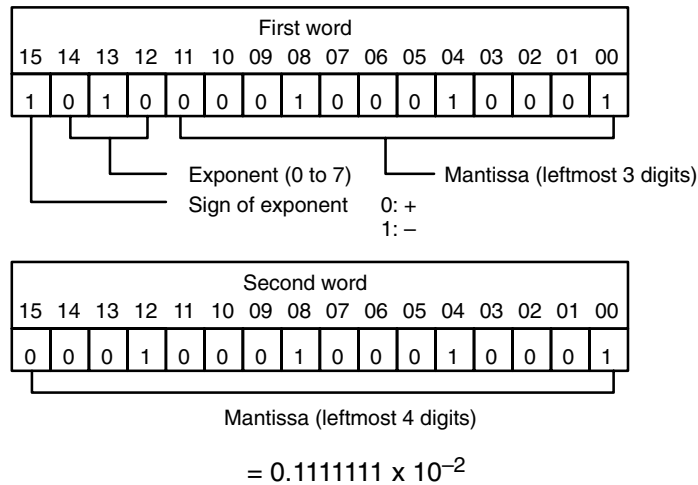
**Description**

When the execution condition is OFF, FDIV(79) is not executed. When the execution condition is ON, FDIV(79) divides the floating-point value in Dd and Dd+1 by that in Dr and Dr+1 and places the result in R and R+1.



To represent the floating point values, the rightmost seven digits are used for the mantissa and the leftmost digit is used for the exponent, as shown below.

The mantissa is expressed as a value less than one, i.e., to seven decimal places.



**Flags**

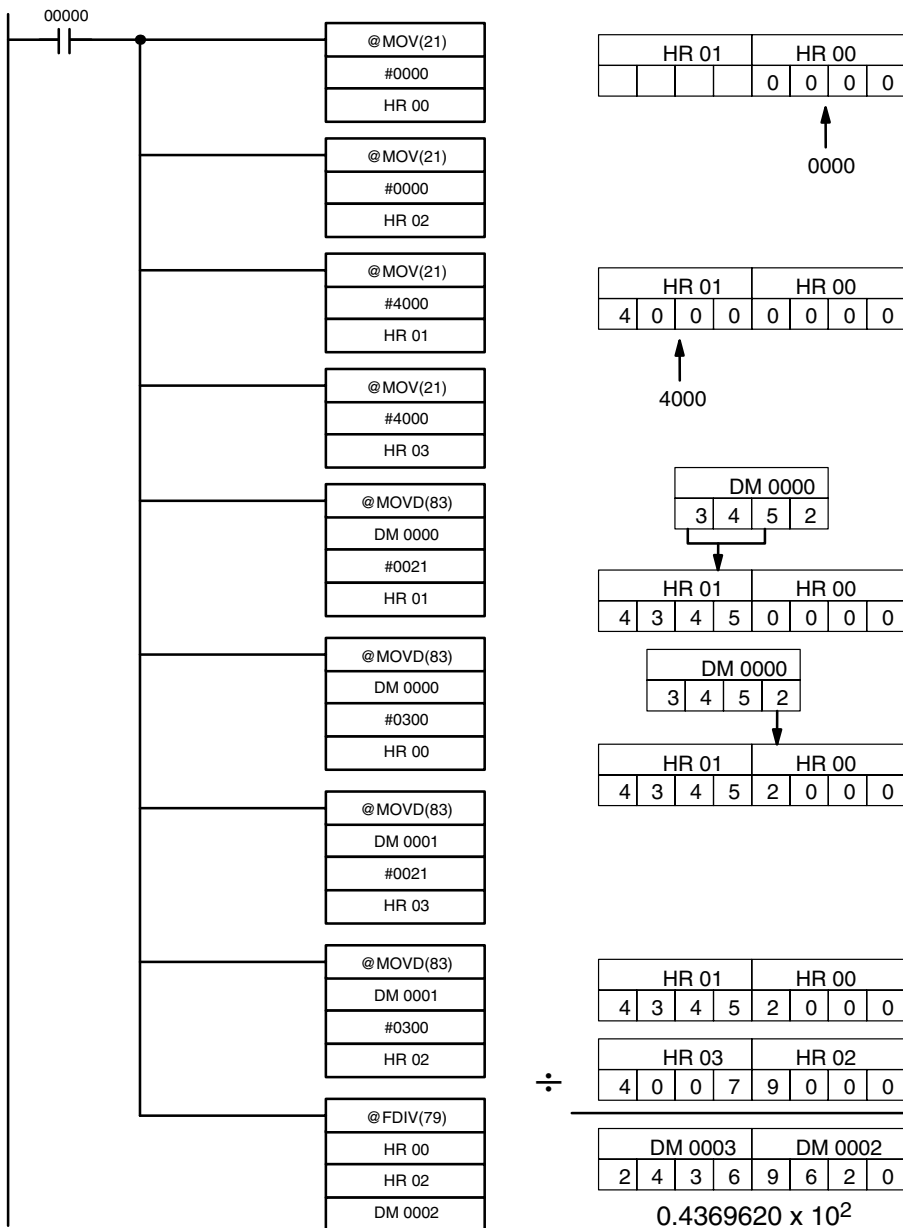
- ER:** Dr and Dr+1 contain 0.  
 Dd, Dd+1, Dr, or Dr+1 is not BCD.  
 The result is not between 0.0000001 x 10<sup>-7</sup> and 0.999999 x 10<sup>+7</sup>.  
 Indirectly addressed DM word is non-existent. (Content of \*DM word is not BCD, or the DM area boundary has been exceeded.)
- EQ:** ON when the result is 0.

**Example**

The following example shows how to divide two whole four-digit numbers (i.e., numbers without fractions) so that a floating-point value can be obtained.

First the original numbers must be placed in floating-point form. Because the numbers are originally without decimal points, the exponent will be 4 (e.g., 3452 would equal 0.3452 x 10<sup>4</sup>). All of the moves are to place the proper data into consecutive words for the final division, including the exponent and zeros. Data movements for Dd and Dd+1 are shown at the right below. Movements for Dr and Dr+1 are basically the same. The original values to be divided are in DM 0000 and DM 0001. The final division is also shown.

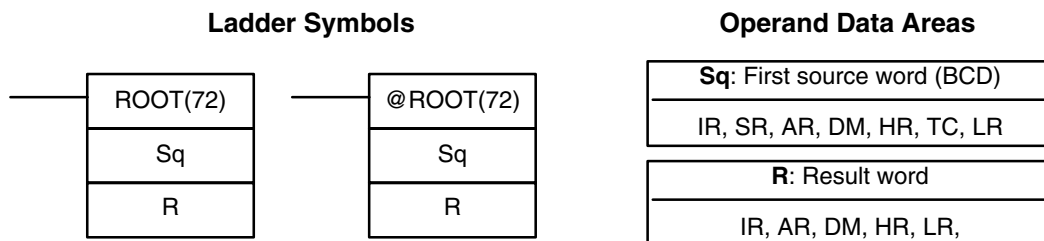




Address	Instruction	Operands
00000	LD	00000
00001	@MOV(21)	# 0000 HR 00
00002	@MOV(21)	# 0000 HR 02
00003	@MOV(21)	# 4000 HR 01
00004	@MOV(21)	# 4000 HR 03
00005	@MOVD(83)	DM 0000 # 0021 HR 01
	@MOVD(83)	DM 0001 # 0300 HR 02
	@MOVD(83)	DM 0001 # 0021 HR 03
	@FDIV(79)	HR 00 HR 02 DM 0002

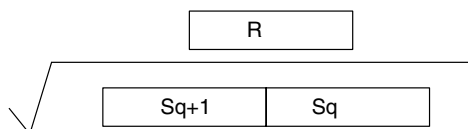
Address	Instruction	Operands
00006	@MOVD(83)	DM 0000 # 0300 HR 00
00007	@MOVD(83)	DM 0001 # 0021 HR 03
00008	@MOVD(83)	DM 0001 # 0300 HR 02
00009	@FDIV(79)	HR 00 HR 02 DM 0002

### 5-17-14 SQUARE ROOT – ROOT(72)



**Description**

When the execution condition is OFF, ROOT(72) is not executed. When the execution condition is ON, ROOT(72) computes the square root of the eight-digit content of Sq and Sq+1 and places the result in R. The fractional portion is truncated.



**Flags**

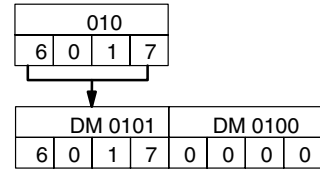
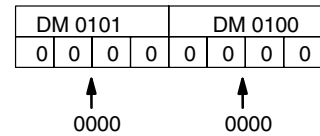
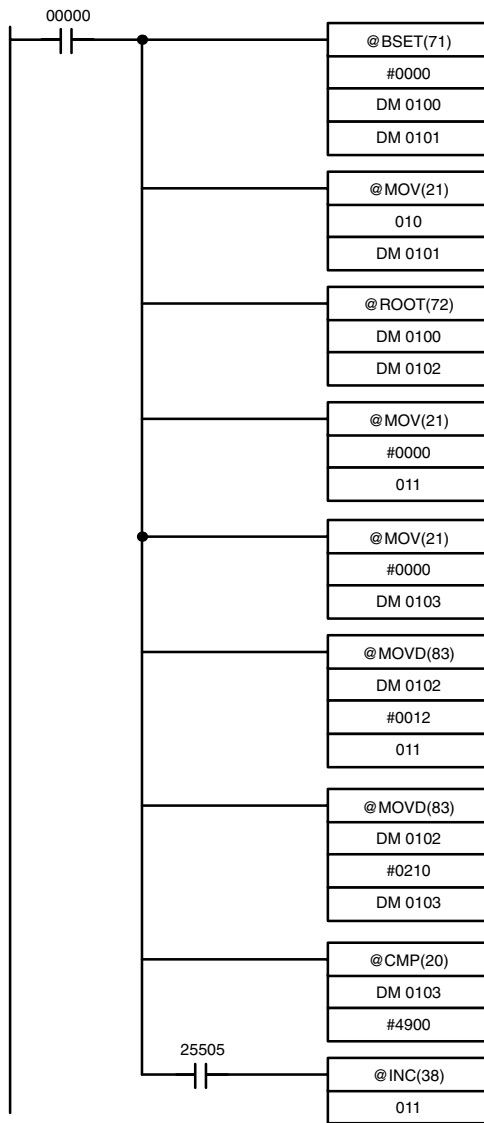
- ER:** Sq is not BCD.  
Indirectly addressed DM word is non-existent. (Content of \*DM word is not BCD, or the DM area boundary has been exceeded.)
- EQ:** ON when the result is 0.

**Example**

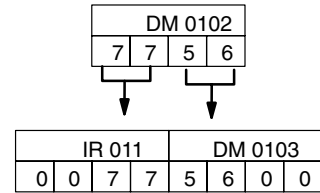
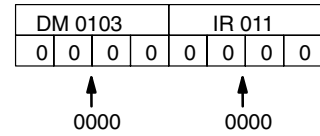
The following example shows how to take the square root of a four-digit number and then round the result.

First the words to be used are cleared to all zeros and then the value whose square root is to be taken is moved to Sq+1. The result, which has twice the number of digits required for the answer (because the number of digits in the original value was doubled), is placed in DM 0102, and the digits are split into two different words, the leftmost two digits to IR 011 for the answer and the rightmost two digits to DM 0103 so that the answer in IR 011 can be rounded up if required. The last step is to compare the value in DM 0103 so that IR 011 can be incremented using the Greater Than flag.

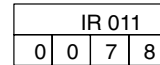
In the following example,  $\sqrt{6017} = 77.56$ , and 77.56 is rounded off to 78.



$\sqrt{60170000} = 7756.932$



5600 > 4900



Address	Instruction	Operands
00000	LD	00000
00001	@BSET(71)	
		# 0000
		DM 0100
		DM 0101
00002	@MOV(21)	
		010
		DM 0101
00003	@ROOT(72)	
		DM 0100
		DM 0102
00004	@MOV(21)	
		# 0000
		011
00005	@MOV(21)	
		# 0000
		DM 0103

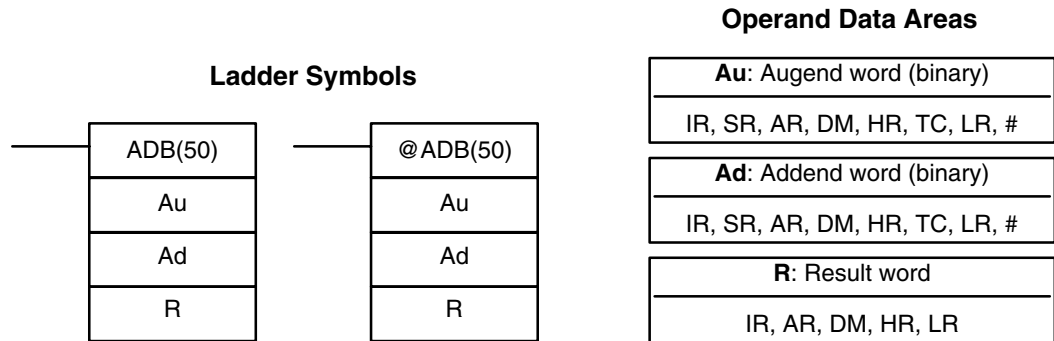
Address	Instruction	Operands
00006	@MOVD(83)	
		DM 0102
		# 0012
		011
00007	@MOVD(83)	
		DM 0102
		# 0210
		DM 0103
00008	@CMP(20)	
		DM 0103
		# 4900
00009	LD	25505
00010	@INC(38)	
		011

## 5-18 Binary Calculations

The binary calculation instructions - ADB(50), SBB(51), MLB(52) and DVB(53) - all perform arithmetic operations on hexadecimal data.

The addition and subtraction instructions include CY in the calculation as well as in the result. Be sure to clear CY if its previous status is not required in the calculation, and to use the result placed in CY, if required, before it is changed by the execution of any other instruction. STC(40) and CLC(41) can be used to control CY. Refer to 5-17 BCD Calculations.

### 5-18-1 BINARY ADD – ADB(50)



**Description**

When the execution condition is OFF, ADB(50) is not executed. When the execution condition is ON, ADB(50) adds the contents of Au, Ad, and CY, and places the result in R. CY will be set if the result is greater than FFFF.

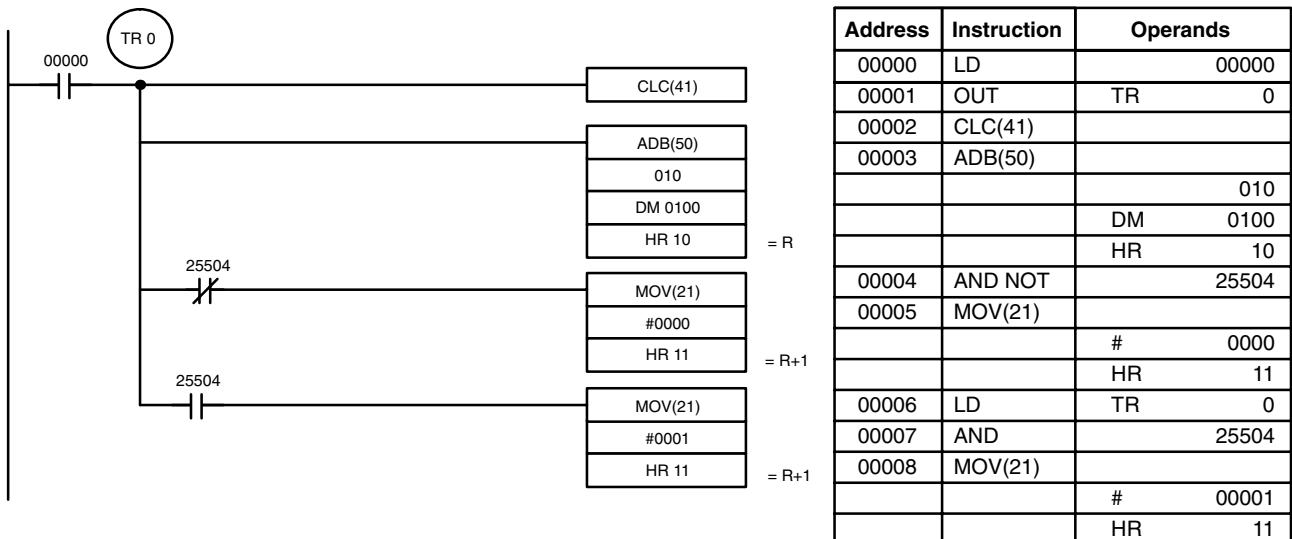
$$\boxed{\text{Au}} + \boxed{\text{Ad}} + \boxed{\text{CY}} \rightarrow \boxed{\text{CY}} \boxed{\text{R}}$$

**Flags**

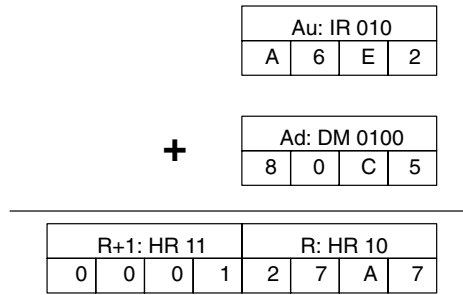
- ER:** Indirectly addressed DM word is non-existent. (Content of \*DM word is not BCD, or the DM area boundary has been exceeded.)
- CY:** ON when the result is greater than FFFF.
- EQ:** ON when the result is 0.

**Examples**

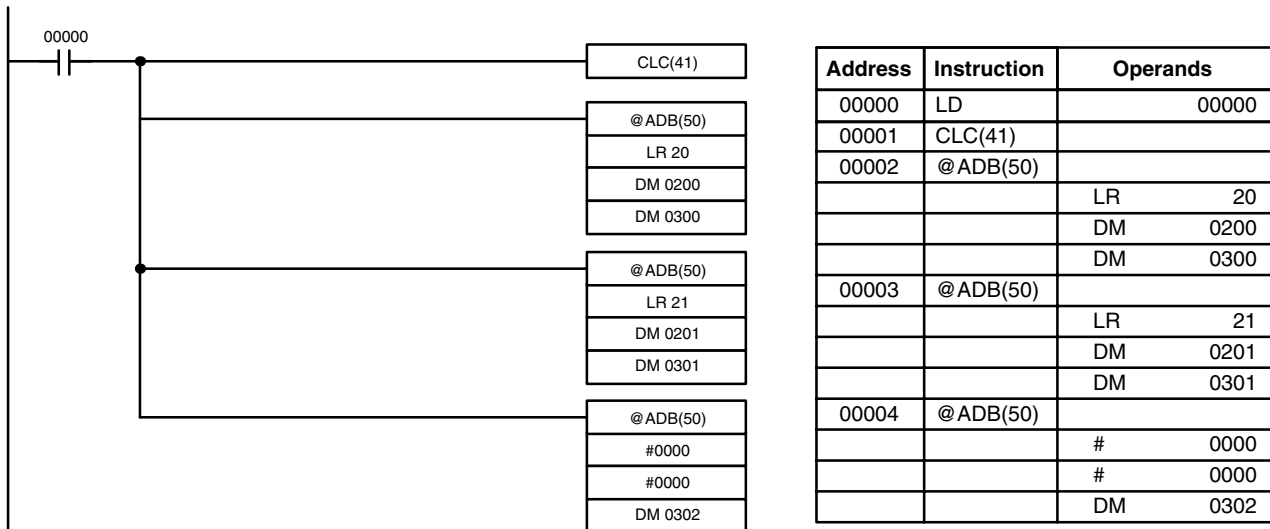
The following example shows a four-digit addition with CY used to place either #0000 or #0001 into R+1 to ensure that any carry is preserved.



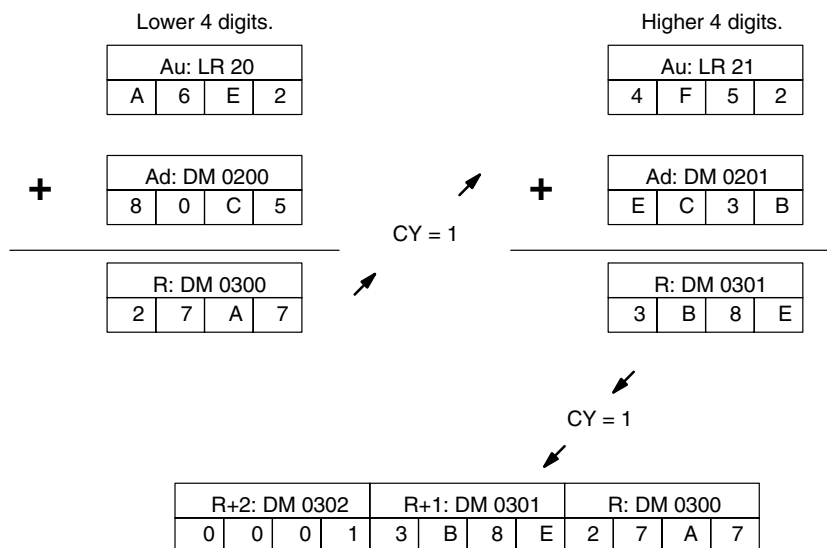
In the case below,  $A6E2 + 80C5 = 127A7$ . The result is a 5-digit number, so  $CY (SR 25504) = 1$ , and the content of  $R + 1$  becomes #0001.



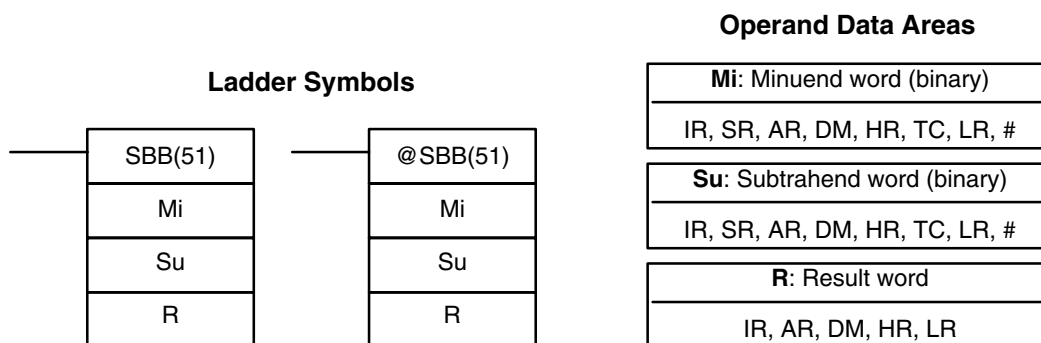
The following example performs eight-digit addition by using ADB(50) twice. ADB(50) is also used to place the carry into DM 0302 (one word greater than the rest of the answer). The complete answer thus ends up in DM 0300 through DM 0302.



In the case below, 4F52A6E2 + EC3B80C5 = 13B8E27A7. The sum of the lower 4-digit addition is a 5-digit number, so CY (SR 25504) = 1, and the sum of the higher 4-digit addition is incremented by 1.



### 5-18-2 BINARY SUBTRACT – SBB(51)



**Description**

When the execution condition is OFF, SBB(51) is not executed. When the execution condition is ON, SBB(51) subtracts the contents of Su and CY from Mi and places the result in R. If the result is negative, CY is set and the 2's complement of the actual result is placed in R.

$$\boxed{Mi} - \boxed{Su} - \boxed{CY} \rightarrow \boxed{CY} \boxed{R}$$

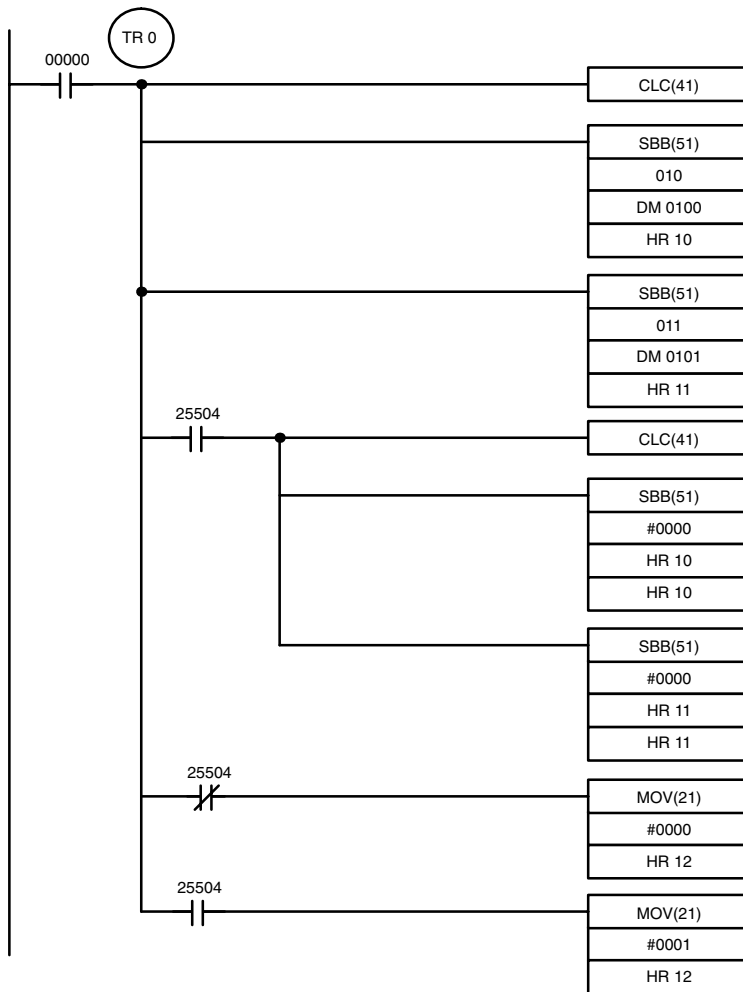
**Flags**

- ER:** Indirectly addressed DM word is non-existent. (Content of \*DM word is not BCD, or the DM area boundary has been exceeded.)
- CY:** ON when the result is negative, i.e., when Mi is less than Su plus CY.
- EQ:** ON when the result is 0.

**Example**

The following example shows eight-digit subtraction. CY is tested following the first two subtractions to see if the result is negative. If it is, the first result is subtracted from zero to obtain the true result, which is placed in HR 10 and

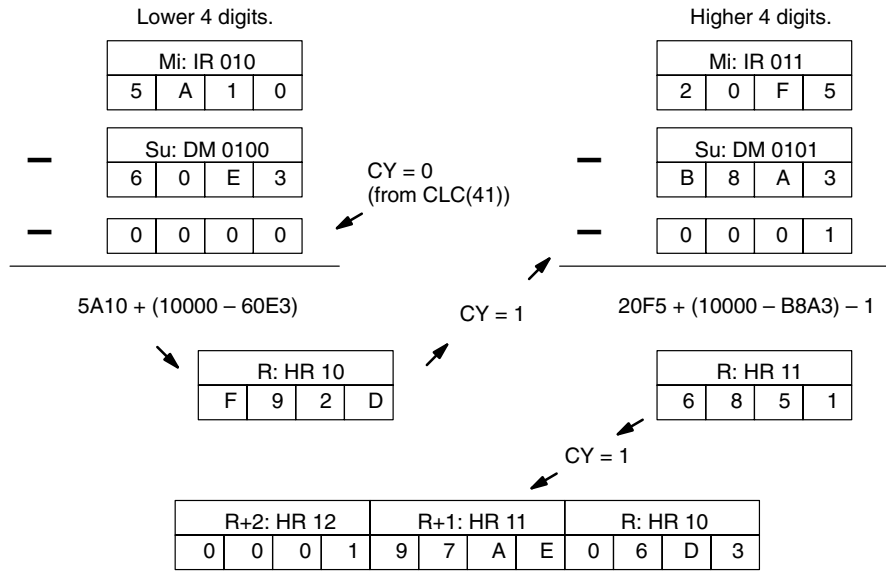
HR 11, and either #0000 or #0001 is placed in HR 12 (0001 indicates a negative answer).



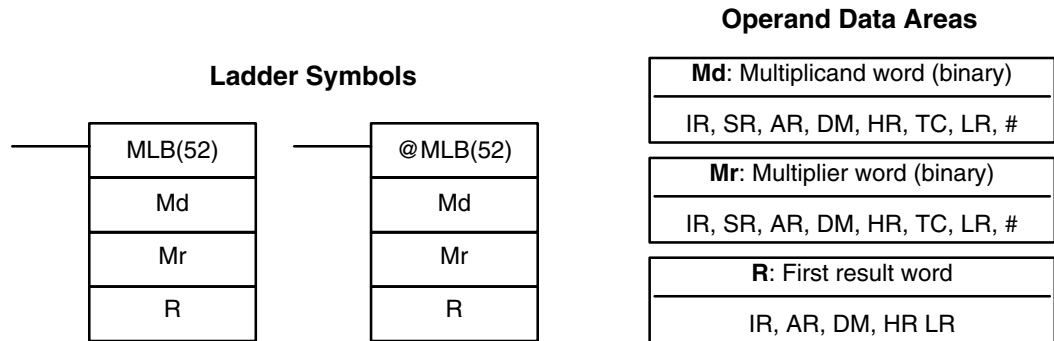
Address	Instruction	Operands
00000	LD	00000
00001	OUT	TR 0
00002	CLC(41)	
00003	SBB(51)	
		010
		DM 0100
		HR 10
00004	SBB(51)	
		011
		DM 0101
		HR 11
00005	AND	25505
00006	CLC(41)	
00007	SBB(51)	
		# 0000
		HR 10
		HR 10
00008	SBB(51)	
		# 0000
		HR 11
		HR 11
00009	LD	TR 0
00010	AND NOT	25504
00011	MOV(21)	
		# 0000
		HR 12
00012	LD	TR 0
00013	AND	25504
00014	MOV(21)	
		# 0000
		HR 12

In the case below,  $20F55A10 - B8A360E3 = 97AE06D3$ . In the the lower 4-digit subtraction,  $S_u > M_i$ , so  $CY(SR 25504)$  becomes 1, and the result of the higher 4-digit subtraction is decremented by 1. In the final calculations,  $\#0000 - F9D2 = 0000 + (10000 - F9D2) = 06D3$ .

#0000 – 6851 – 1 (from CY = 1) = 0000 + (10000 – 6851 – 1) = 97AE.  
 The content of HR 12, #0001, indicates a negative result.

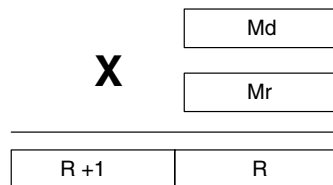


### 5-18-3 BINARY MULTIPLY – MLB(52)



#### Description

When the execution condition is OFF, MLB(52) is not executed. When the execution condition is ON, MLB(52) multiplies the content of Md by the contents of Mr, places the rightmost four digits of the result in R, and places the leftmost four digits in R+1.

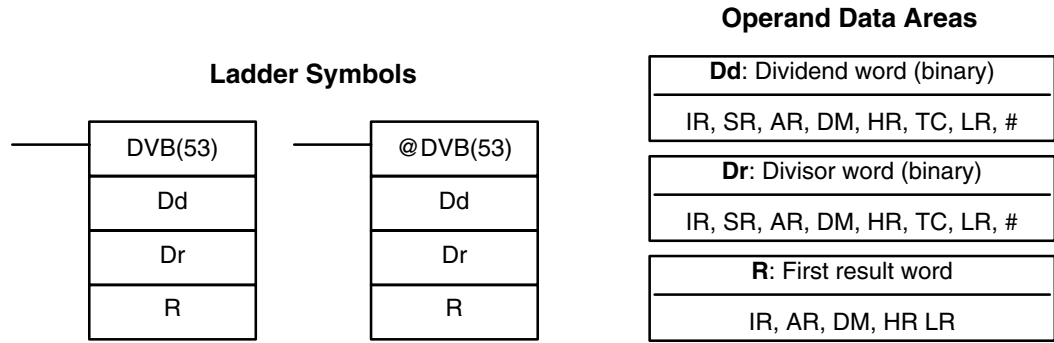


#### Flags

- ER:** Indirectly addressed DM word is non-existent. (Content of \*DM word is not BCD, or the DM area boundary has been exceeded.)
- EQ:** ON when the result is 0.

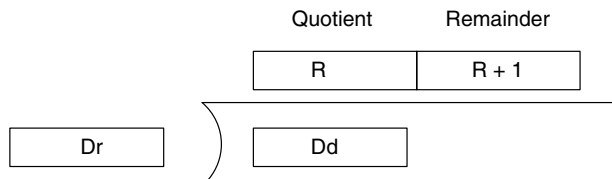


### 5-18-4 BINARY DIVIDE – DVB(53)



**Description**

When the execution condition is OFF, DVB(53) is not executed. When the execution condition is ON, DVB(53) divides the content of Dd by the content of Dr and the result is placed in R and R+1: the quotient in R, the remainder in R+1.



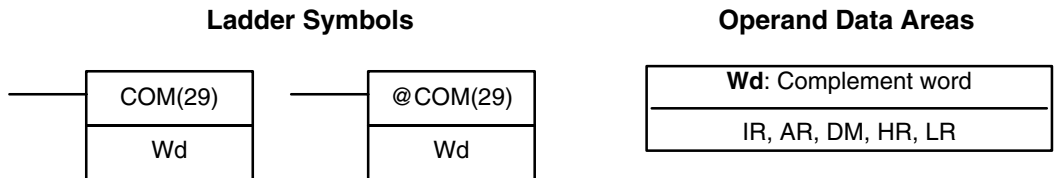
**Flags**

- ER:** Dr contains 0.  
Indirectly addressed DM word is non-existent. (Content of \*DM word is not BCD, or the DM area boundary has been exceeded.)
- EQ:** ON when the result is 0.

## 5-19 Logic Instructions

The logic instructions - COM(29), ANDW(34), ORW(35), XORW(36), and XNRW(37) - perform logic operations on word data.

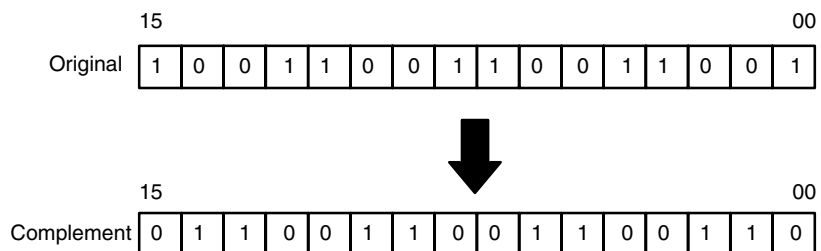
### 5-19-1 COMPLEMENT – COM(29)



**Description**

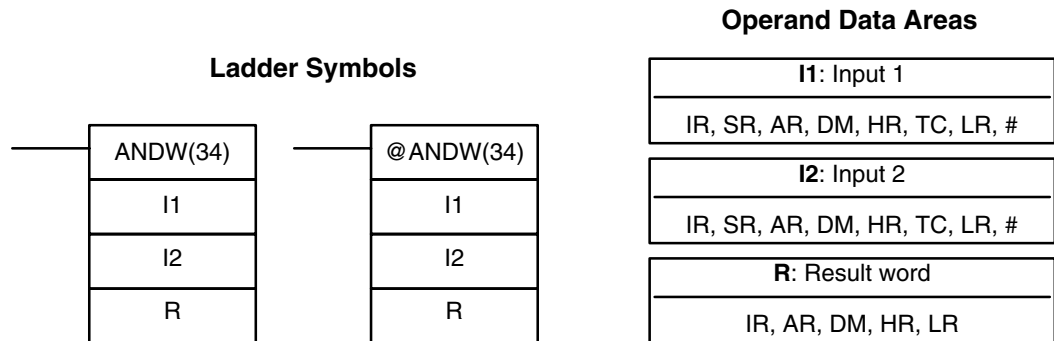
When the execution condition is OFF, COM(29) is not executed. When the execution condition is ON, COM(29) clears all ON bits and sets all OFF bits in Wd.

**Example**

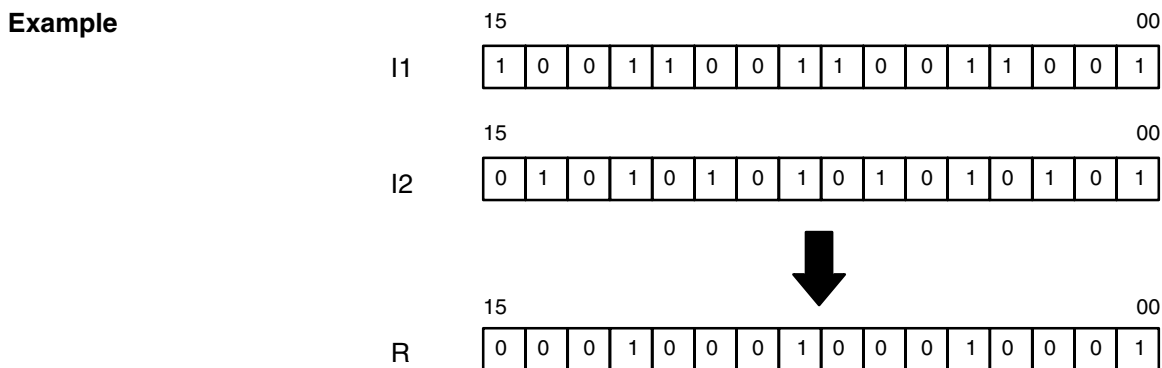


- Flags**
- ER:** Indirectly addressed DM word is non-existent. (Content of \*DM word is not BCD, or the DM area boundary has been exceeded.)
  - EQ:** ON when the result is 0.

### 5-19-2 LOGICAL AND – ANDW(34)

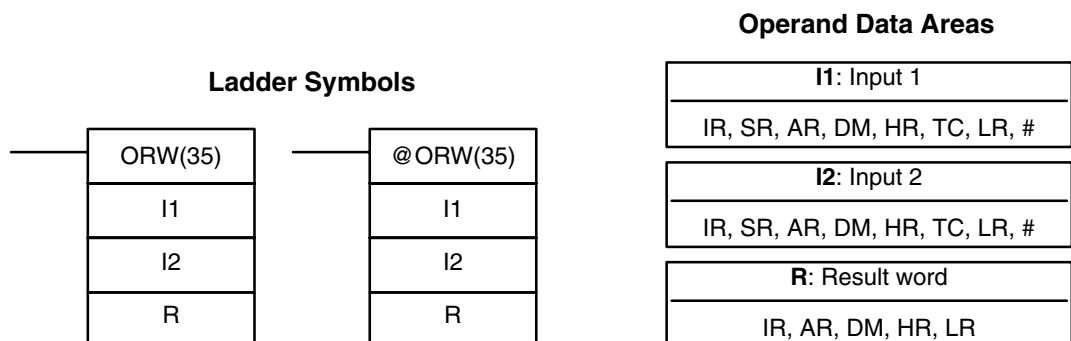


**Description** When the execution condition is OFF, ANDW(34) is not executed. When the execution condition is ON, ANDW(34) logically AND's the contents of I1 and I2 bit-by-bit and places the result in R.



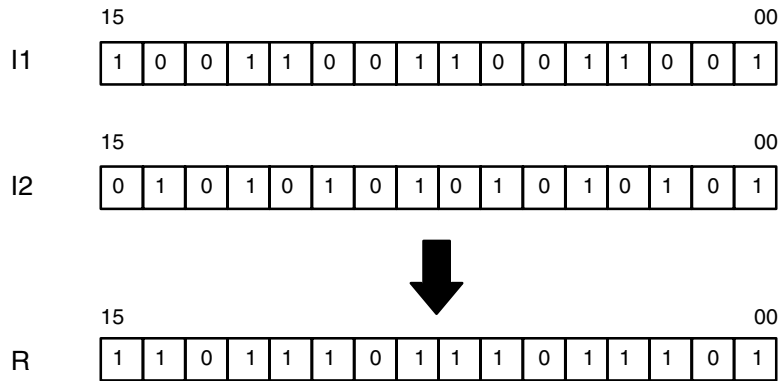
- Flags**
- ER:** Indirectly addressed DM word is non-existent. (Content of \*DM word is not BCD, or the DM area boundary has been exceeded.)
  - EQ:** ON when the result is 0.

### 5-19-3 LOGICAL OR – ORW(35)



**Description** When the execution condition is OFF, ORW(35) is not executed. When the execution condition is ON, ORW(35) logically OR's the contents of I1 and I2 bit-by-bit and places the result in R.

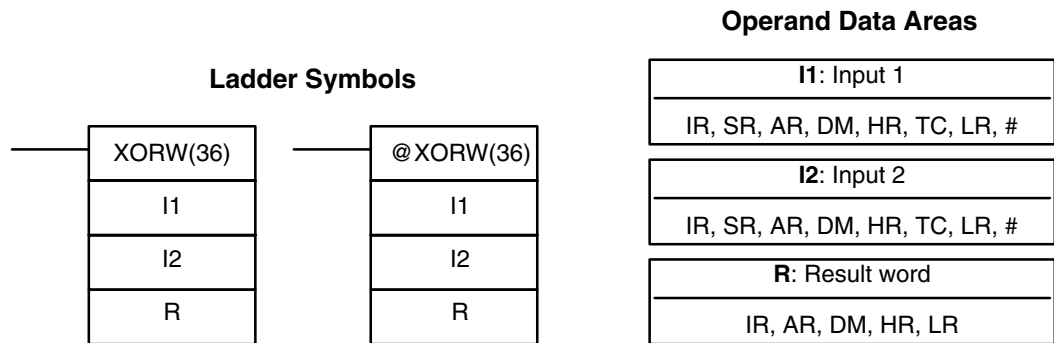
**Example**



**Flags**

- ER:** Indirectly addressed DM word is non-existent. (Content of \*DM word is not BCD, or the DM area boundary has been exceeded.)
- EQ:** ON when the result is 0.

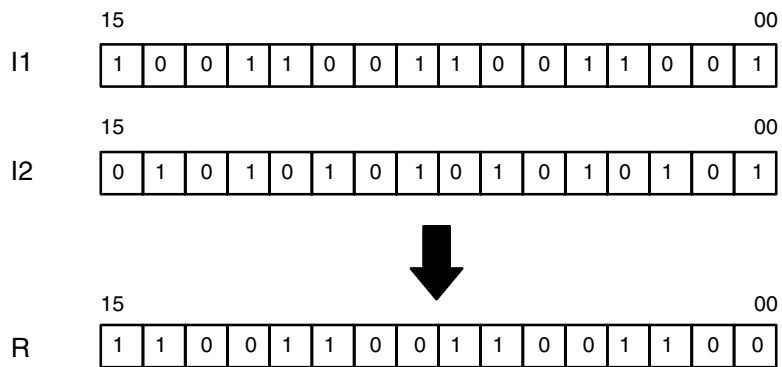
**5-19-4 EXCLUSIVE OR – XORW(36)**



**Description**

When the execution condition is OFF, XORW(36) is not executed. When the execution condition is ON, XORW(36) exclusively OR's the contents of I1 and I2 bit-by-bit and places the result in R.

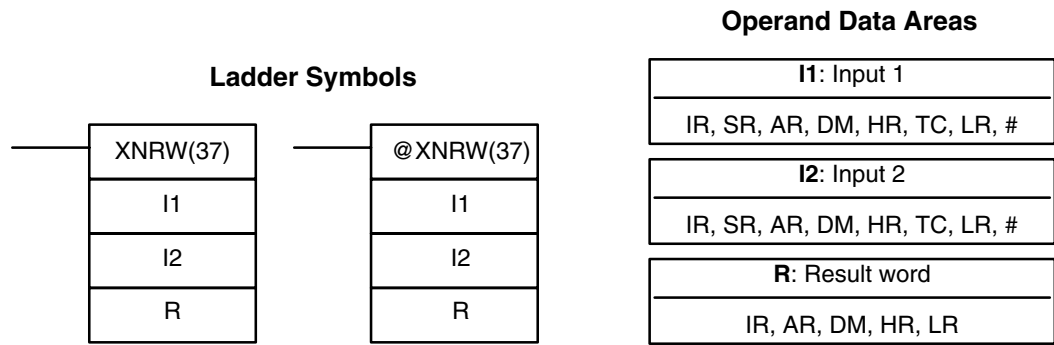
**Example**



**Flags**

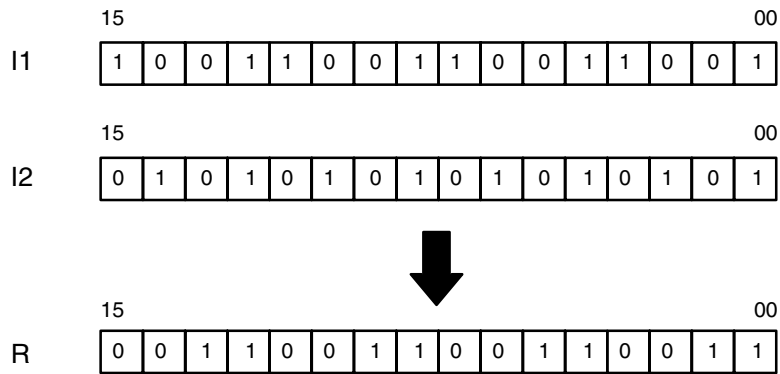
- ER:** Indirectly addressed DM word is non-existent. (Content of \*DM word is not BCD, or the DM area boundary has been exceeded.)
- EQ:** ON when the result is 0.

### 5-19-5 EXCLUSIVE NOR – XNRW(37)



**Description**

When the execution condition is OFF, XNRW(37) is not executed. When the execution condition is ON, XNRW(37) exclusively NOR's the contents of I1 and I2 bit-by-bit and places the result in R.



**Flags**

- ER:** Indirectly addressed DM word is non-existent. (Content of \*DM word is not BCD, or the DM area boundary has been exceeded.)
- EQ:** ON when the result is 0.

## 5-20 Subroutines and Interrupt Control

### 5-20-1 Overview

Subroutines break large control tasks into smaller ones and enable you to reuse a given set of instructions. When the main program calls a subroutine, control is transferred to the subroutine and the subroutine instructions are executed. The instructions within a subroutine are written in the same way as main program code. When all the subroutine instructions have been executed, control returns to the main program to the point just after the point from which the subroutine was entered (unless otherwise specified in the subroutine).

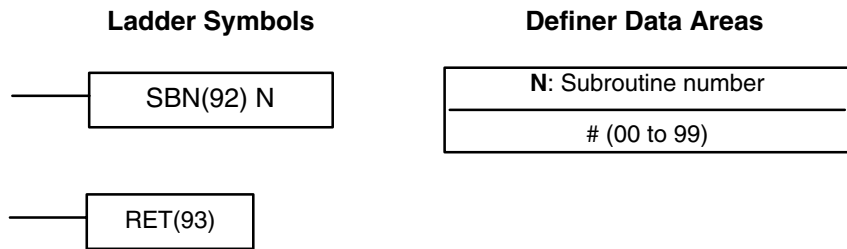
Subroutines may also be activated by interrupts. Like subroutine calls, interrupts cause a break in the flow of the main program execution such that the flow can be resumed from that point after completion of the subroutine. An interrupt is caused either by an external source, such as an input signal from an Interrupt Input Unit, or a scheduled interrupt. In the case of the scheduled interrupt, the interrupt signal is repeated at regular intervals.

Whereas subroutine calls are controlled from within the main program, subroutines activated by interrupts are triggered when the interrupt signal is received. Also, multiple interrupts from different Interrupt Input Units can occur at the same time. To effectively deal with this, the PC employs a priority scheme for handling interrupts.

In the case of the scheduled interrupt, the time interval between interrupts is set by the user and is unrelated to the cycle timing of the PC. This capability is useful for periodic supervisory or executive program execution.

INT(89) is used to control the interrupt signals received from the Interrupt Input Units, and also to control the scheduling of the scheduled interrupt. INT(89) provides such functions as masking of interrupts (so that they are recorded but ignored) and clearing of interrupts.

### 5-20-2 SUBROUTINE DEFINE and RETURN – SBN(92)/RET(93)



**Limitations**

Each subroutine number can be used in SBN(92) once only, i.e., up to 100 subroutines may be programmed. Subroutine numbers 00 through 31 are used by Interrupt Input Units and subroutine number 99 is used for the scheduled interrupt. Refer to 5-20-4 *INTERRUPT CONTROL – INT(89)* for details.

**Description**

SBN(92) is used to mark the beginning of a subroutine program; RET(93) is used to mark the end. Each subroutine is identified with a subroutine number, N, that is programmed as a definer for SBN(92). This same subroutine number is used in any SBS(91) that calls the subroutine (see next subsection). No subroutine number is required with RET(93).

All subroutines must be programmed at the end of the main program. When one or more subroutines have been programmed, the main program will be executed up to the first SBN(92) before returning to address 00000 for the next cycle. Subroutines will not be executed unless called by SBS(91) or activated by an interrupt.

END(01) must be placed at the end of the last subroutine program, i.e., after the last RET(93). It is not required at any other point in the program. (Refer to the next subsection for further details.)

**Precautions**

If SBN(92) is mistakenly placed in the main program, it will inhibit program execution past that point, i.e., program execution will return to the beginning when SBN(92) is encountered.

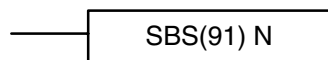
If either DIFU(13) or DIFU(14) is placed within a subroutine, the operand bit will not be turned OFF until the next time the subroutine is executed, i.e., the operand bit may stay ON longer than one cycle.

**Flags**

There are no flags directly affected by these instructions.

### 5-20-3 SUBROUTINE ENTER – SBS(91)

**Ladder Symbol**

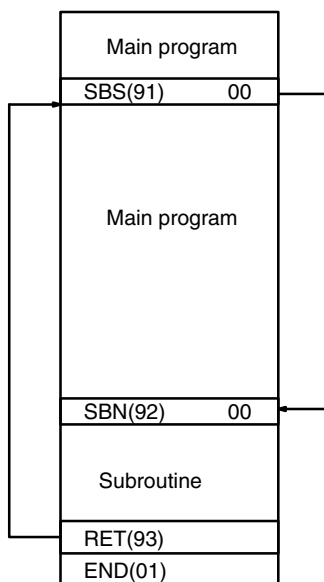


**Definer Data Areas**

N: Subroutine number
# (00 to 99)

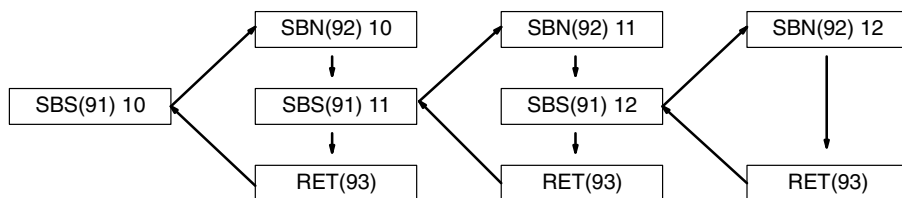
**Description**

A subroutine can be executed by placing SBS(91) in the main program at the point where the subroutine is desired. The subroutine number used in SBS(91) indicates the desired subroutine. When SBS(91) is executed (i.e., when the execution condition for it is ON), the instructions between the SBN(92) with the same subroutine number and the first RET(93) after it are executed before execution returns to the instruction following the SBS(91) that made the call.



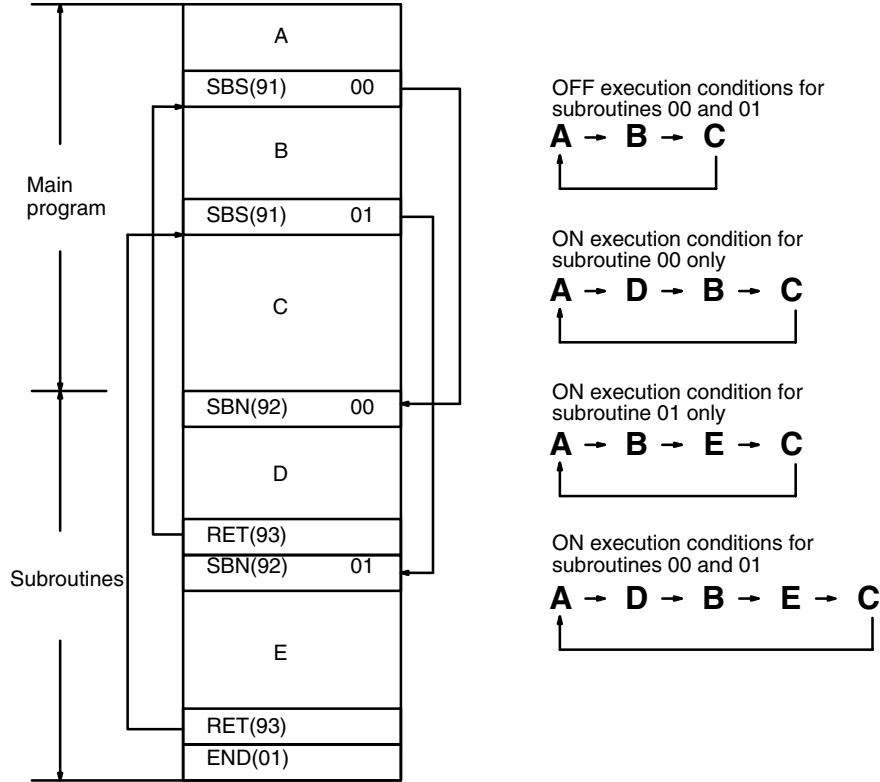
SBS(91) may be used as many times as desired in the program, i.e., the same subroutine may be called from different places in the program).

SBS(91) may also be placed into a subroutine to shift program execution from one subroutine to another, i.e., subroutines may be nested. When the second subroutine has been completed (i.e., RET(93) has been reached), program execution returns to the original subroutine which is then completed before returning to the main program. Nesting is possible to up to sixteen levels. A subroutine cannot call itself (e.g., SBS(91) 00 cannot be programmed within the subroutine defined with SBN(92) 00). The following diagram illustrates two levels of nesting.



Although subroutines 00 through 31 can be called by using SBS(91), they are also activated by interrupt signals from Interrupt Input Units. Subroutine 99, which can also be called using SBS(91), is used for the scheduled interrupt. (Refer to the next subsection for details.)

The following diagram illustrates program execution flow for various execution conditions for two SBS(91).



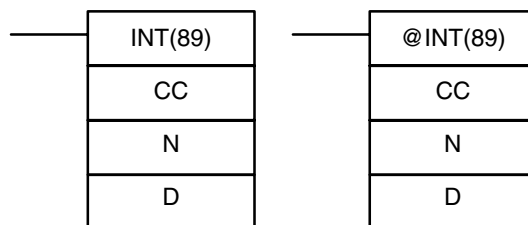
**Flags**

**ER:** A subroutine does not exist for the specified subroutine number.  
 A subroutine has called itself.  
 Subroutines have been nested to more than sixteen levels.

**Caution** SBS(91) will not be executed and the subroutine will not be called when ER is ON.

**5-20-4 INTERRUPT CONTROL – INT(89)**

**Ladder Symbols**



**Operand Data Areas**

<b>CC:</b> Control code
# (000 to 002)
<b>N:</b> Interrupt designator
# (004)
<b>D:</b> Control data
IR, AR, DM, HR, TC, LR, TR, #

**Limitations** D may be a constant only when CC is 000 or 001. D must be a word address when CC is 002. See below for details. INT(89) is used only to control the scheduled interrupts with the C200H and N must be set to 0004.

**Caution** INT(89) cannot be used during execution of step programs or in C2000H Duplex CPUs. Refer to *5-21 Step Instructions* for details on step programs.

**Description** INT(89) is used to control the scheduled interrupt. Subroutine 99 can be established so that it will be executed repeatedly at a fixed interval through scheduled interrupts. The actual time at which it is executed is independent of the cycle time. INT(89) is used to control the scheduled interrupt. If N is 004, CC is used to designate the desired function as follows:

CC = 000: Setting time interval  
 001: Setting the time to first scheduled interrupt  
 002: Reading the current time interval

**Scheduling the Interrupt** Even when a subroutine 99 has been written, it will not be executed according to scheduled interrupts unless INT(89) is used to set the proper times. INT(89) should be used to set both the time interval (CC = 000) for the scheduled interrupt and the time to the first scheduled interrupt (CC = 001). Unstable operation may result if the time to the first interrupt is not set.

**CC = 000 (Interval)** To set the time interval for the scheduled interrupt, set CC to 000 and set D to any value between 00.01 and 99.99 seconds. The decimal point is not input. The time interval can be changed at any time.

To cancel the scheduled interrupt, set the time interval to 00.00 seconds.

**Caution** If the scheduled execution time of the subroutine becomes too large, it will have a serious effect on the overall execution time of the main program. Therefore, you should take extra care to write a subroutine that is fast and efficient. INT(89), with a CC of 000, is used to change the scheduled interrupt time interval, the new time interval is not effective until after the next scheduled interrupt. (cf. CC = 001 below)

**CC = 001 (Time to First Interrupt)** To set the time to the first interrupt, set CC to 001 and set D to any value between 00.01 and 99.99 seconds. The decimal point is not entered. If D is set to 00.00, the interrupt will not occur.

**Caution** INT(89), with a CC code of 001, can be used to change the scheduled interrupt time interval for one cycle. The new time interval is effective immediately. The scheduled interrupt may never actually occur if the time to the first interrupt is changed repeatedly, i.e., before the interrupt has time to occur.

**CC = 002 (Read Interval)** To access the current time interval for the scheduled interrupt, set CC 002. The current time interval will be placed in D

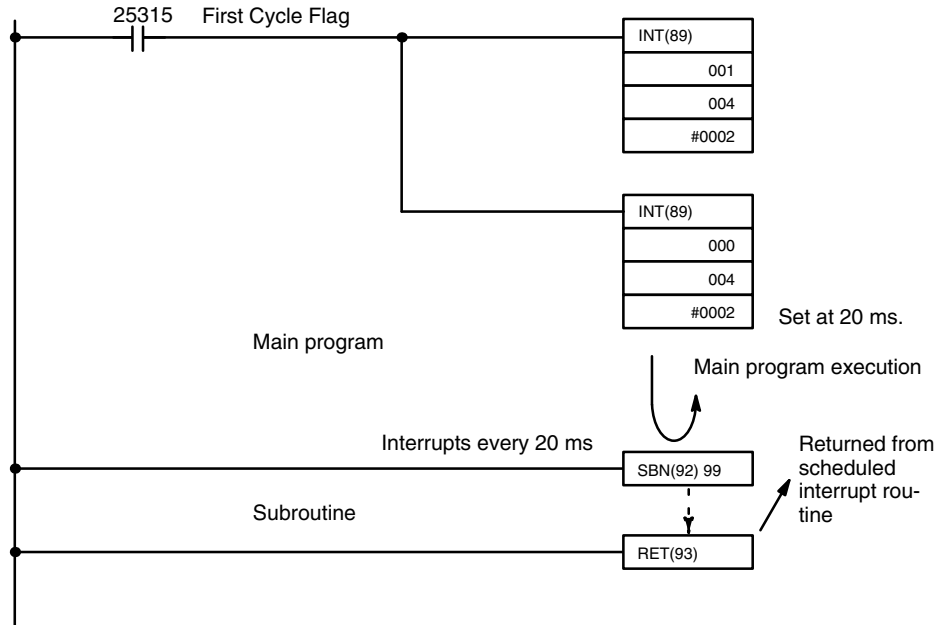
**Flags** **ER:** CC, D, or N is not within specified values.  
 Indirectly addressed DM word is non-existent. (Content of \*DM word is not BCD, or the DM area boundary has been exceeded.)



**Example**

The following program shows the overall structure and operation of the scheduled interrupt.

Here, the scheduled subroutine is started and will be repeated every 20 ms. The control flow logic of the main program is unaffected by execution of the scheduled subroutine, i.e., immediately after the subroutine has finished execution, control returns to the point in the main program where it was suspended.



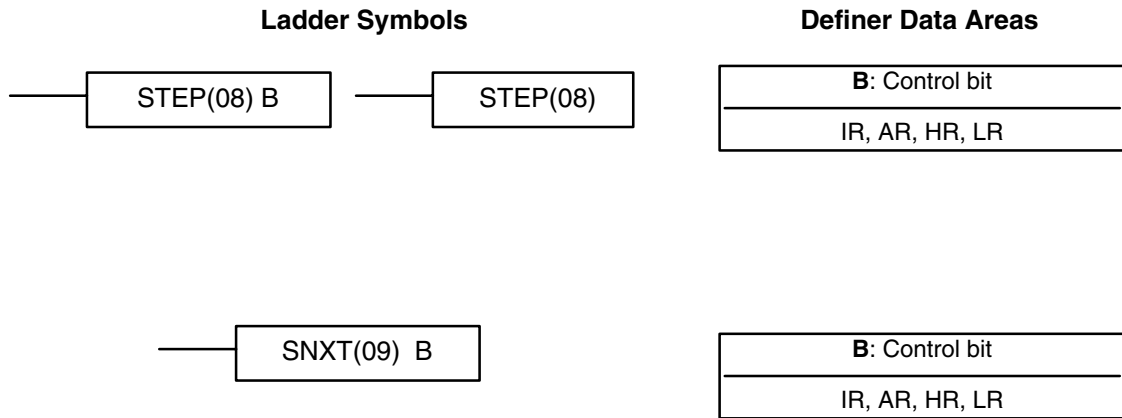
Address	Instruction	Operands
00000	LD	25315
00001	INT(89)	
		001
		004
		# 0002
00002	INT(89)	
		000
		004
		# 0002

Address	Instruction	Operands
Main program.		
00500	SBN(92)	99
Subroutine.		
00600	RET(93)	

## 5-21 Step Instructions

The step instructions STEP(08) and SNXT(09) are used in conjunction to set up breakpoints between sections in a large program so that the sections can be executed as units and reset upon completion. A section of program will usually be defined to correspond to an actual process in the application. (Refer to the application examples later in this section.) A step is like a normal programming code, except that certain instructions (e.g. IL(02)/ILC(03), JMP(04)/JME(05)) may not be included.

### 5-21-1 STEP DEFINE and STEP START–STEP(08)/SNXT(09)



**Limitations**

All control bits must be in the same word and must be consecutive.

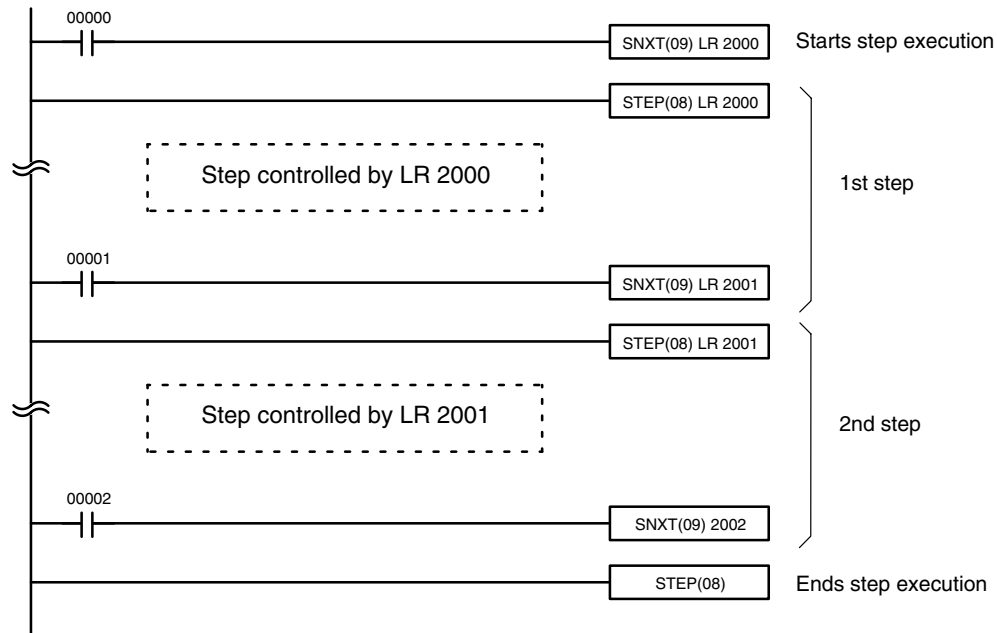
**Description**

STEP(08) uses a control bit in the IR or HR areas to define the beginning of a section of the program called a step. STEP(08) does not require an execution condition, i.e., its execution is controlled through the control bit. To start execution of the step, SNXT(09) is used with the same control bit as used for STEP(08). If SNXT(09) is executed with an ON execution condition, the step with the same control bit is executed. If the execution condition is OFF, the step is not executed. The SNXT(09) instruction must be written into the program so that it is executed before the program reaches the step it starts. It can be used at different locations before the step to control the step according to two different execution conditions (see example 2, below). Any step in the program that has not been started with SNXT(09) will not be executed.

Once SNXT(09) is used in the program, step execution will continue until STEP(08) is executed without a control bit. STEP(08) without a control bit must be preceded by SNXT(09) with a dummy control bit. The dummy control bit may be any unused IR or HR bit. It cannot be a control bit used in a STEP(08).

Execution of a step is completed either by execution of the next SNXT(09) or by turning OFF the control bit for the step (see example 3 below). When the step is completed, all of the IR and HR bits in the step are turned OFF and all

timers in the step are reset to their SVs. Counters, shift registers, and bits used in KEEP(11) maintain status. Two simple steps are shown below.



Address	Instruction	Operands
00000	LD	00000
00001	SNXT(09)	LR 2000
00002	STEP(08)	LR 2000
Step controlled by 20200.		
00100	LD	00001
00101	SNXT(09)	LR 2001

Address	Instruction	Operands
00102	STEP(08)	LR 2001
Step controlled by 20201.		
00200	LD	00002
00201	SNXT(09)	LR 2002
00202	STEP(08)	---

Steps can be programmed in consecutively. Each step must start with STEP(08) and generally ends with SNXT(09) (see example 3, below, for an exception). When steps are programmed in series, three types of execution are possible: sequential, branching, or parallel. The execution conditions for, and the positioning of, SNXT(09) determine how the steps are executed. The three examples given below demonstrate these three types of step execution.

**Precautions**

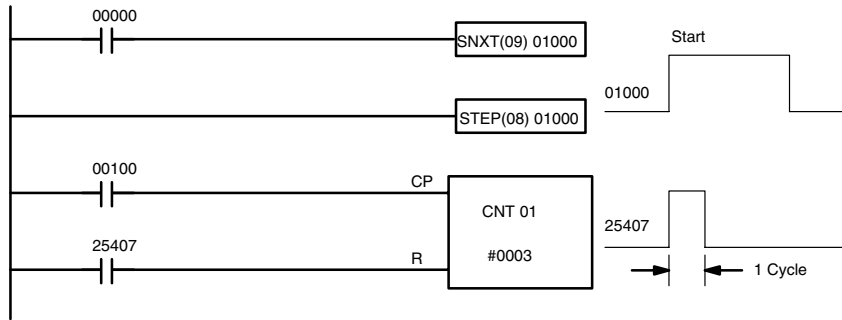
Interlocks, jumps, SBN(92), and END(01) cannot be used within step programs.

Bits used as control bits must not be used anywhere else in the program unless they are being used to control the operation of the step (see example 3, below). All control bits must be in the same word and must be consecutive.

If IR or LR bits are used for control bits, their status will be lost during any power interruption. If it is necessary to maintain status to resume execution at the same step, HR bits must be used.

Flags

**25407:** Step Start Flag; turns ON for one cycle when STEP(08) is executed and can be used to reset counters in steps as shown below if necessary.



Address	Instruction	Operands
00000	LD	00000
00001	SNXT(09)	01000
00002	STEP(08)	01000
00003	LD	00100

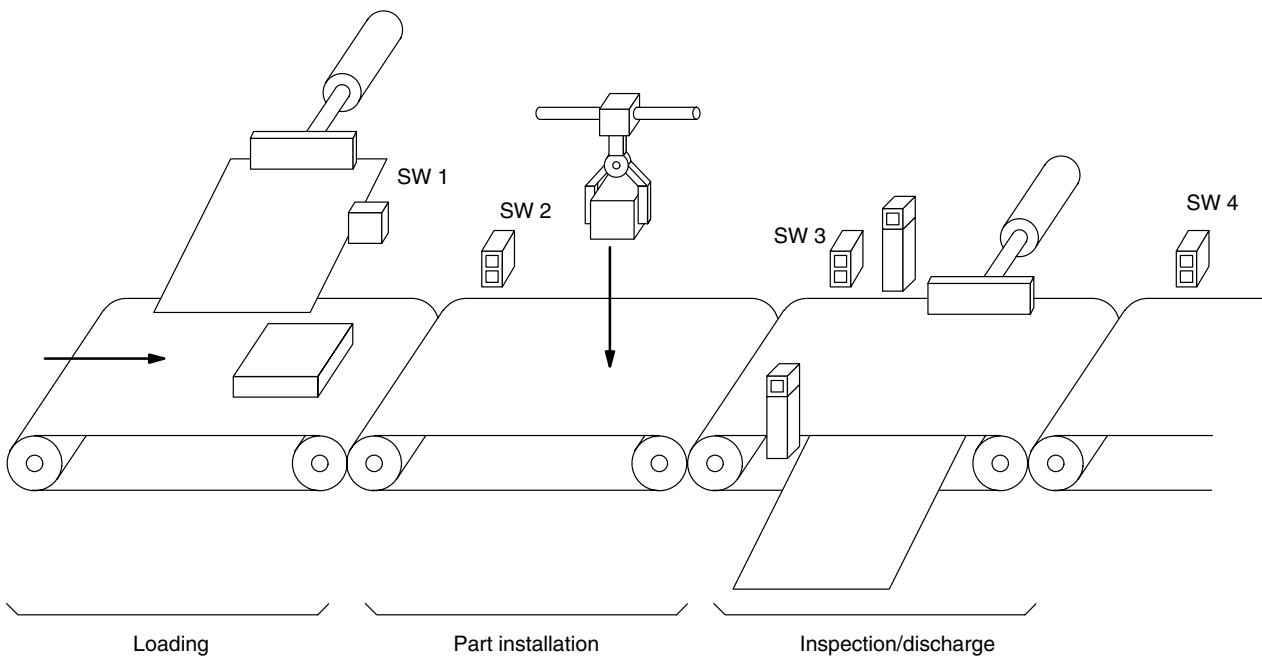
Address	Instruction	Operands
00004	LD	25407
00005	CNT	01
		# 0003

Examples

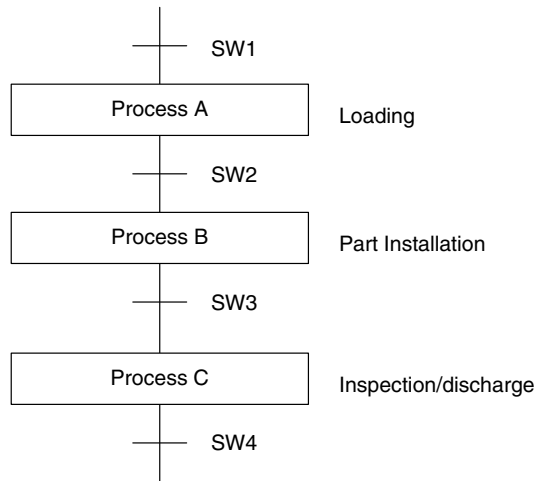
The following three examples demonstrate the three types of execution control possible with step programming. Example 1 demonstrates sequential execution; example 2, branching execution; and example 3, parallel execution.

**Example 1:  
Sequential Execution**

The following process requires that three processes, loading, part installation, and inspection/discharge, be executed in sequence with each process being reset before continuing on the the next process. Various sensors (SW1, SW2, SW3, and SW4) are positioned to signal when processes are to start and end.

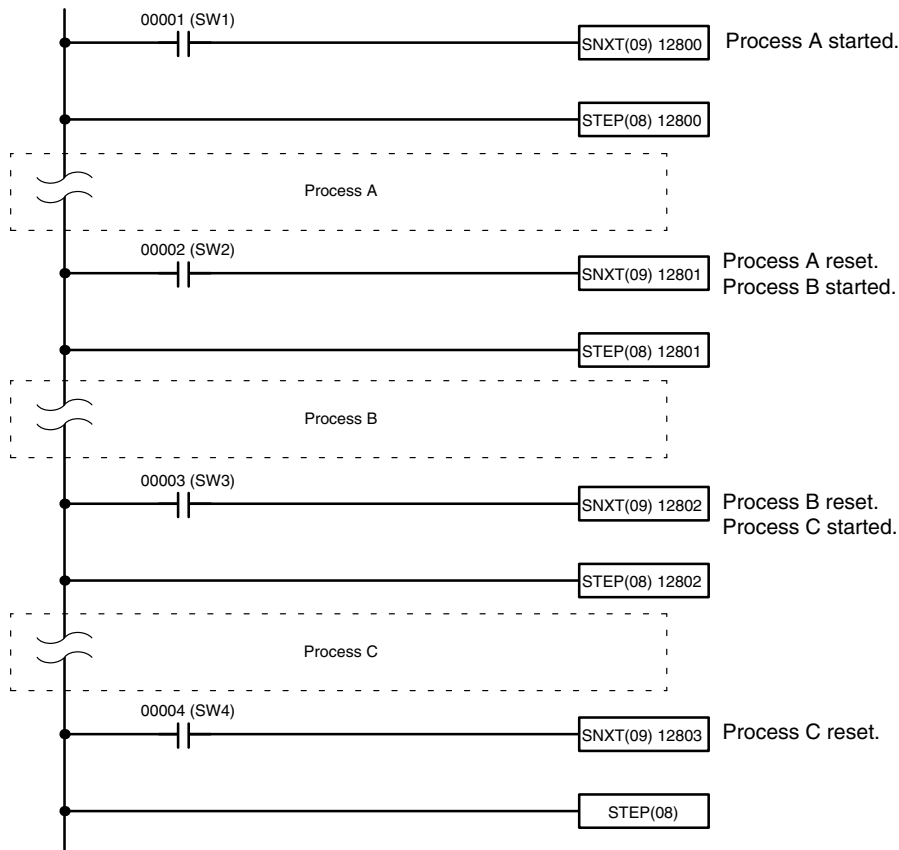


The following diagram demonstrates the flow of processing and the switches that are used for execution control.



The program for this process, shown below, utilizes the most basic type of step programming: each step is completed by a unique SNXT(09) that starts

the next step. Each step starts when the switch that indicates the previous step has been completed turns ON.

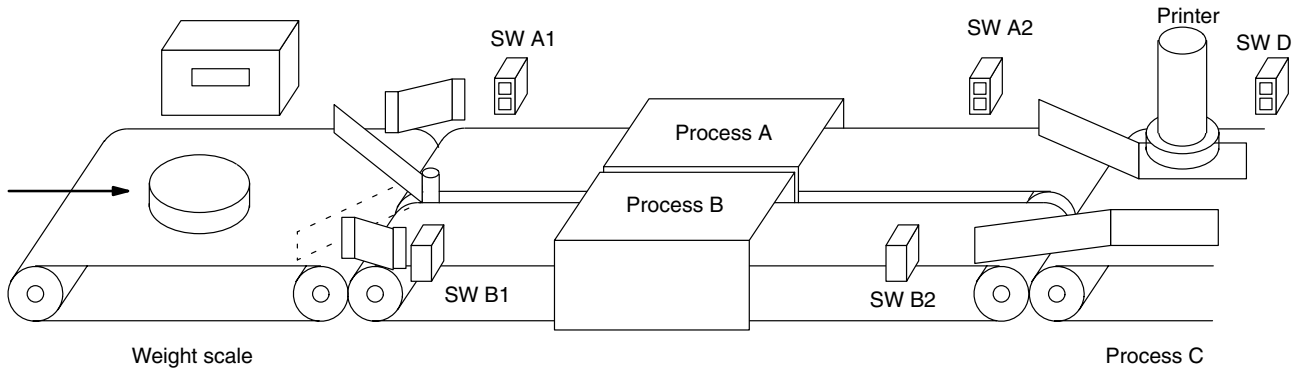


Address	Instruction	Operands
00000	LD	00001
00001	SNXT(09)	12800
00002	STEP(08)	12800
Process A		
00100	LD	00002
00101	SNXT(09)	12801
00102	STEP(08)	12801

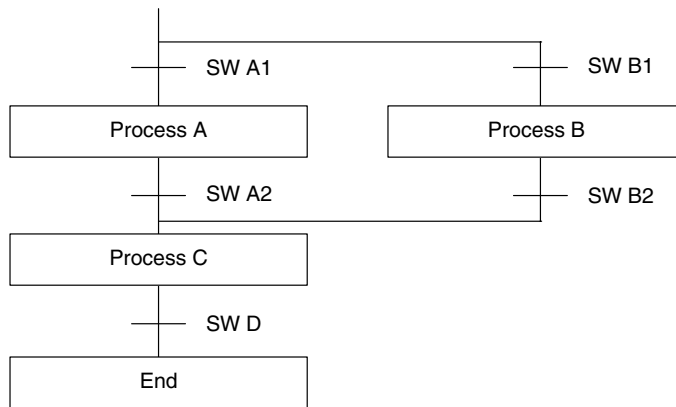
Address	Instruction	Operands
Process B		
00100	LD	00003
00101	SNXT(09)	12802
00102	STEP(08)	12802
Process C		
00200	LD	00004
00201	SNXT(09)	12803
00202	STEP(08)	---

**Example 2:  
Branching Execution**

The following process requires that a product is processed in one of two ways, depending on its weight, before it is printed. The printing process is the same regardless of which of the first processes is used. Various sensors are positioned to signal when processes are to start and end.

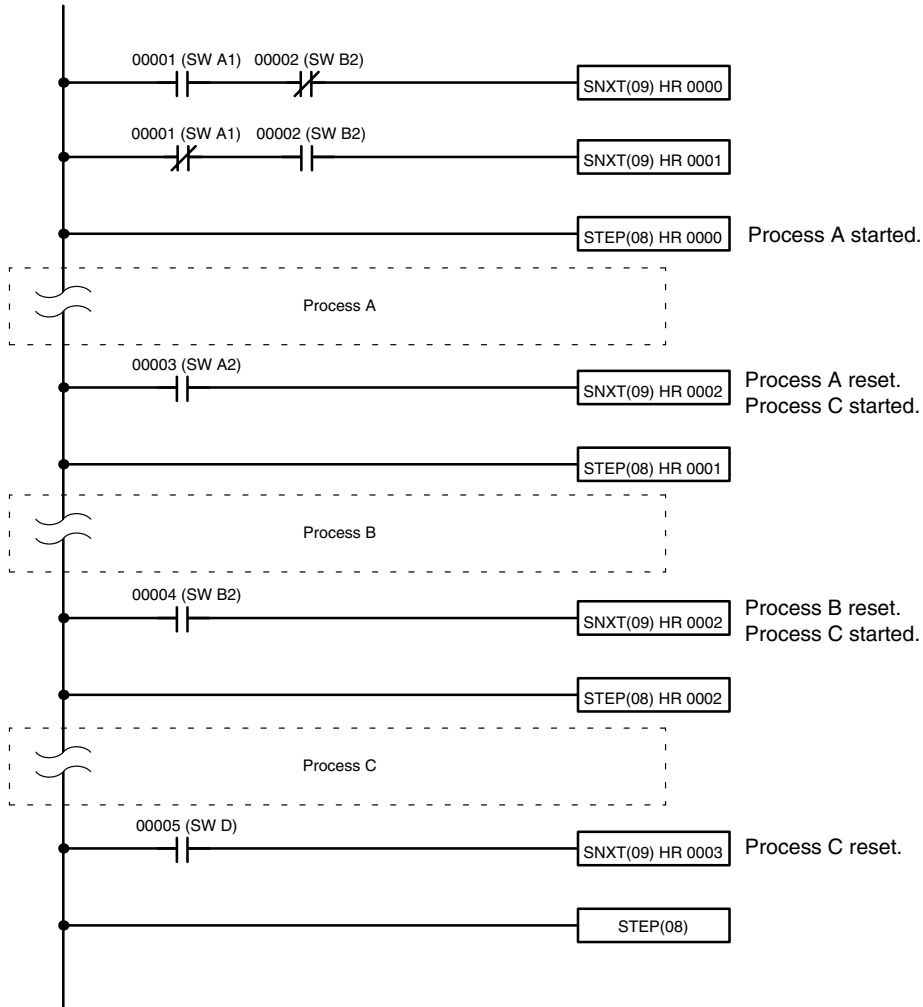


The following diagram demonstrates the flow of processing and the switches that are used for execution control. Here, either process A or process B is used depending on the status of SW A1 and SW B1.



The program for this process, shown below, starts with two SNXT(09) instructions that start processes A and B. Because of the way 00001 (SW A1) and 00002 (SW B1) are programmed, only one of these will be executed to

start either process A or process B. Both of the steps for these processes end with a SNXT(09) that starts the step for process C.



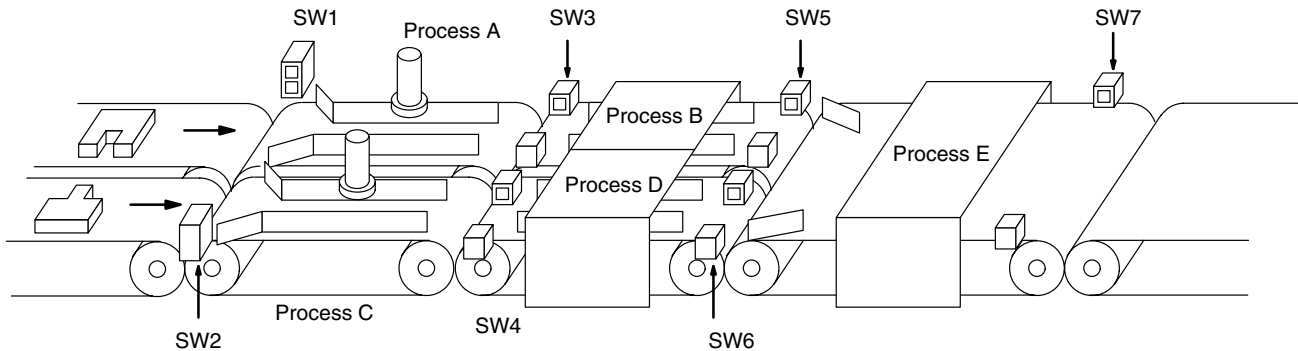
Address	Instruction	Operands
00000	LD	00001
00001	AND NOT	00002
00002	SNXT(09)	HR 0000
00003	LD NOT	00001
00004	AND	00002
00005	SNXT(09)	HR 0001
00006	STEP(08)	HR 0000
Process A		
00100	LD	00003
00101	SNXT(09)	HR 0002
00102	STEP(08)	HR 0001

Address	Instruction	Operands
Process B		
00100	LD	00004
00101	SNXT(09)	HR 0002
00102	STEP(08)	HR 0002
Process C		
00200	LD	00005
00201	SNXT(09)	HR 0003
00202	STEP(08)	---

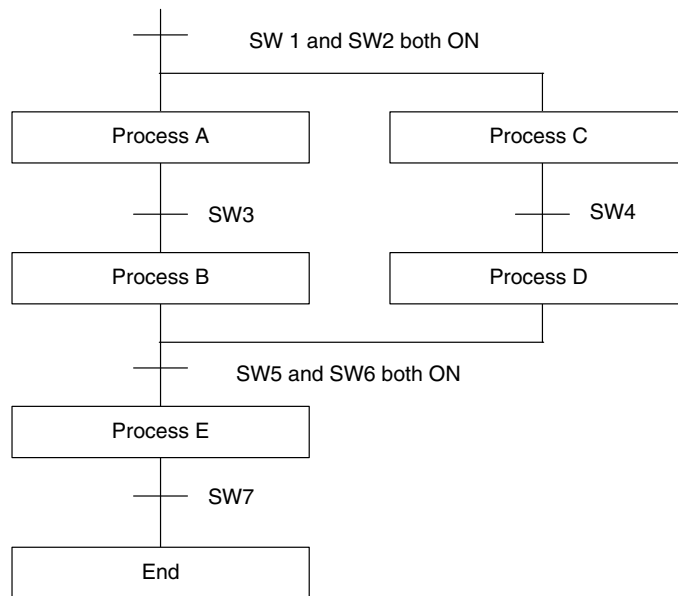


**Example 3:  
Parallel Execution**

The following process requires that two parts of a product pass simultaneously through two processes each before they are joined together in a fifth process. Various sensors are positioned to signal when processes are to start and end.



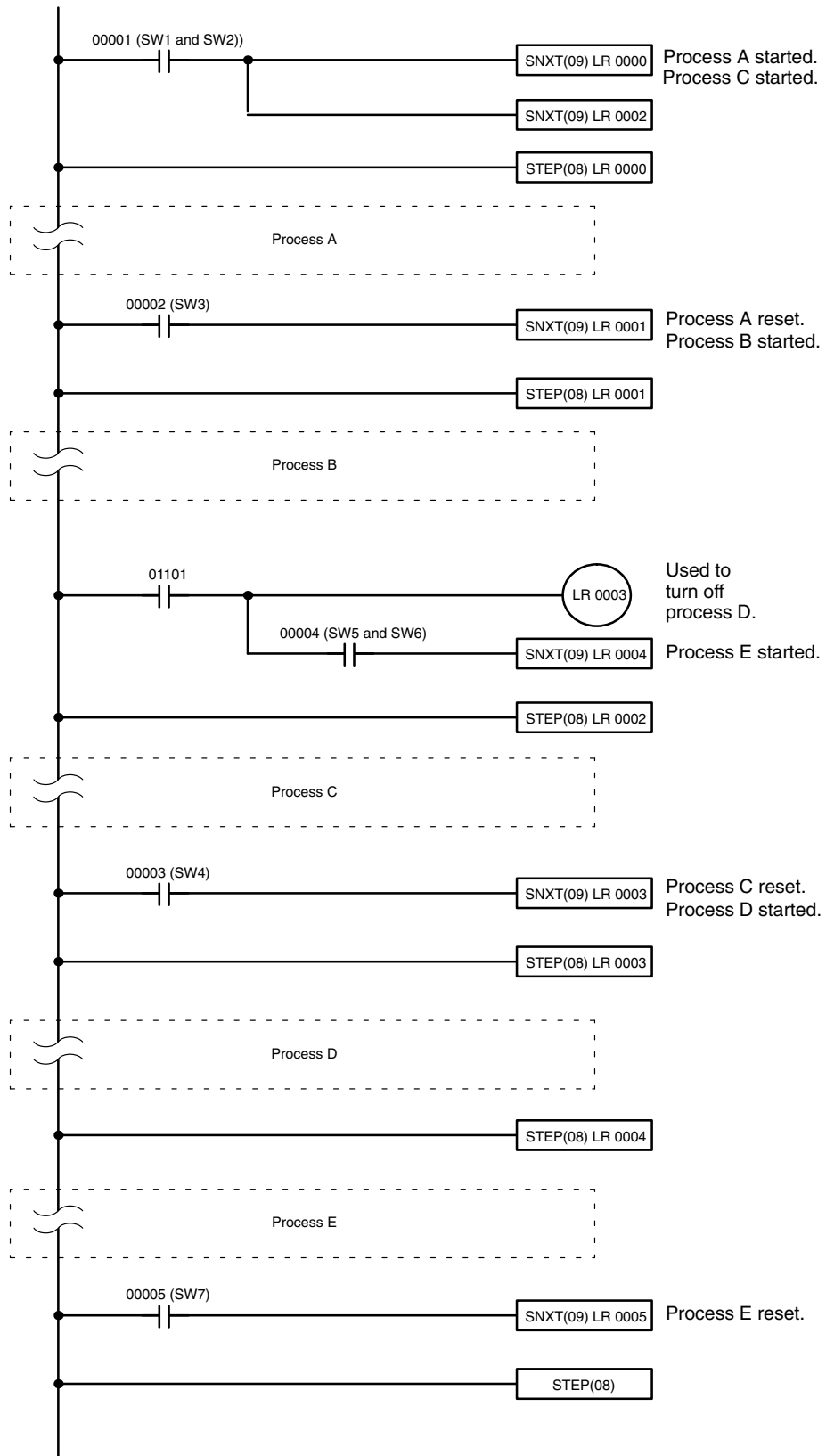
The following diagram demonstrates the flow of processing and the switches that are used for execution control. Here, process A and process C are started together. When process A finishes, process B starts; when process C finishes, process D starts. When both processes B and D have finished, process E starts.



The program for this operation, shown below, starts with two SNXT(09) instructions that start processes A and C. These instructions branch from the same instruction line and are always executed together, starting steps for both A and C. When the steps for both A and C have finished, the steps for process B and D begin immediately.

When both process B and process D have finished (i.e., when SW5 and SW6 turn ON), processes B and D are reset together by the SNXT(09) at the end of the programming for process B. Although there is no SNXT(09) at the end of process D, the control bit for it is turned OFF by executing SNXT(09) LR 0004. This is because the OUT for LR 0003 is in the step reset by SNXT(09) LR 0004, i.e., LR 003 is turned OFF when SNXT(09) LR 0004 is executed

Process B is thus reset directly and process D is reset indirectly before executing the step for process E.



Address	Instruction	Operands
00000	LD	00001
00001	SNXT(09)	LR 0000
00002	SNXT(09)	LR 0002
00003	STEP(08)	LR 0000
Process A		
00100	LD	00002
00101	SNXT(09)	LR 0001
00102	STEP(08)	LR 0001
Process B		
00100	LD	01101
00101	OUT	LR
0003		
00101	AND	00004
00101	SNXT(09)	LR 0004

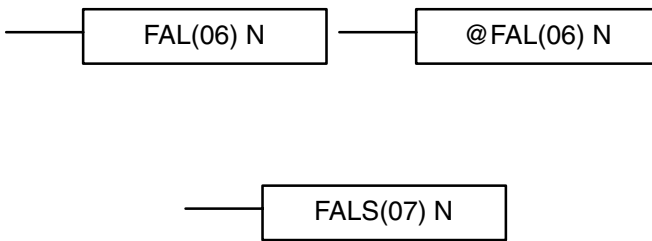
Address	Instruction	Operands
00102	STEP(08)	LR 0002
Process C		
00200	LD	00003
00201	SNXT(09)	LR 0003
00202	STEP(08)	LR 0003
Process D		
00300	STEP(08)	LR 0004
Process E		
00400	LD	00005
00401	SNXT(09)	LR 0005
00402	STEP(08)	---

## 5-22 Special Instructions

The instructions in this section are used for various operations, including programming user error codes and messages, counting ON bits, setting the watchdog timer, and refreshing I/O during program execution.

### 5-22-1 FAILURE ALARM – FAL(06) and SEVERE FAILURE ALARM – FALS(07)

#### Ladder Symbols



#### Definer Data Areas

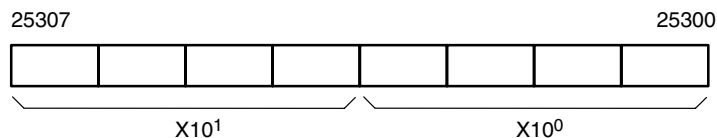
N: FAL number
# (00 to 99)

N: FAL number
# (01 to 99)

#### Description

FAL(06) and FALS(07) are provided so that the programmer can output error numbers for use in operation, maintenance, and debugging. When executed with an ON execution condition, either of these instructions will output a FAL number to bits 00 to 07 of SR 253. The FAL number that is output can be between 01 and 99 and is input as the definer for FAL(06) or FALS(07). FAL(06) with a definer of 00 is used to reset this area (see below).

#### FAL Area



FAL(06) produces a non-fatal error and FAL(07) produces a fatal error. When FAL(06) is executed with an ON execution condition, the ALARM/ERROR indicator on the front of the CPU will flash, but PC operation will continue. When FALS(07) is executed with an ON execution condition, the ALARM/ERROR indicator will light and PC operation will stop.

The system also generates error codes to the FAL area.

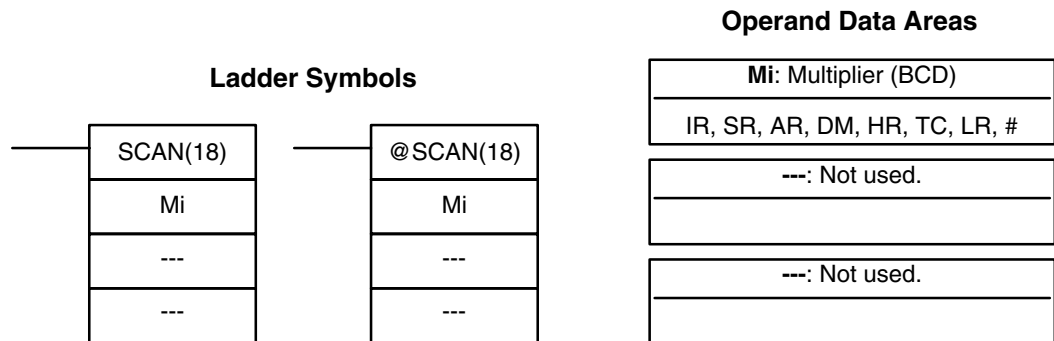
**Resetting Errors**

A maximum of three FAL error codes will be retained in memory, although only one of these is available in the FAL area. To access the other FAL codes, reset the FAL area by executing FAL(06) 00. Each time FAL(06) 00 is executed, another FAL error will be moved to the FAL area, clearing the one that is already there.

FAL(06) 00 is also used to clear message programmed with the instruction, MSG(46).

If the FAL area cannot be cleared, as is generally the case when FALS(07) is executed, first remove the cause of the error and then clear the FAL area through the Programming Console (see 4-5-5 *Clearing Error Messages*).

**5-22-2 CYCLE TIME – SCAN(18)**



**Limitations**

Can be performed with the CPU11-E only. Only the rightmost three digits of Mi are used.

**Description**

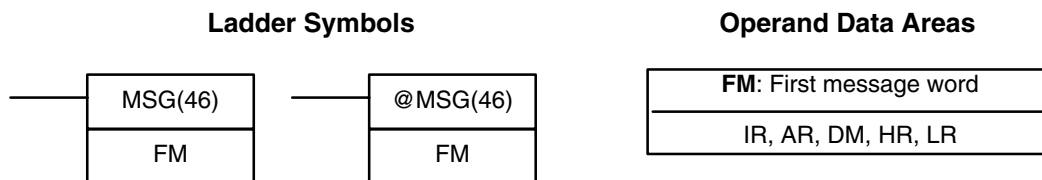
SCAN(18) is used to set a minimum cycle time. Mi is the minimum cycle time that will be set in milliseconds, e.g., if Mi is 120, the minimum cycle time will be 120 ms. The possible setting range is from 0 to 999 seconds.

If the actual cycle time is less than the cycle time set with SCAN(18) the CPU will wait until the designated time has elapsed before starting the next cycle. If the actual cycle time is greater than the set time, the set time will be ignored and the program will be executed to completion.

**Flags**

**ER:** Indirectly addressed DM word is non-existent. (Content of \* DM word is not BCD, or the DM area boundary has been exceeded.)

## 5-22-3 MESSAGE DISPLAY – MSG(46)

**Description**

When executed with an ON execution condition, MSG(46) reads eight words of extended ASCII code from FM to FM+7 and displays the message on the Programming Console, GPC, or FIT. The displayed message can be up to 16 characters long, i.e., each ASCII character code requires eight bits (two digits). Refer to *Appendix I* for the extended ASCII codes. Japanese katakana characters are included in this code.

If not all eight words are required for the message, it can be stopped at any point by inputting "OD". When OD is encountered in a message, no more words will be read and the words that normally would be used for the message can be used for other purposes.

**Message Buffering and Priority**

Up to three messages can be buffered in memory. Once stored in the buffer, they are displayed on a first in, first out basis. Since it is possible that more than three MSG(46)s may be executed within a single cycle, there is a priority scheme, based on the area where the messages are stored, for the selection of those messages to be buffered.

The priority of the data areas is as follows for message display:

LR > IR (I/O) > IR (not I/O) > HR > AR > TC > DM

In handling messages from the same area, those with the lowest address values have higher priority.

In handling indirectly addressed messages (i.e. \*DM), those with the lowest DM address values have higher priority.

**Clearing Messages**

To clear a message, execute FAL(06) 00 or clear it via a Programming Console using the procedure in *4-5-5 Clearing Error Messages*.

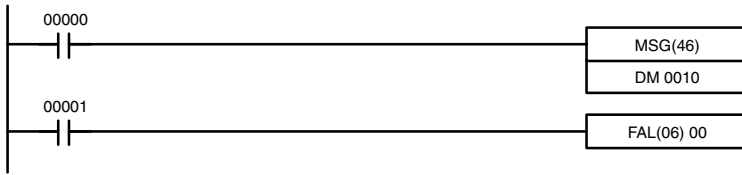
If the message data changes while the message is being displayed, the display will also change.

**Flags**

**ER:** Indirectly addressed DM word is non-existent. (Content of \*DM word is not BCD, or the DM area boundary has been exceeded.)

**Example**

The following example shows the display that would be produced for the instruction and data given when 00000 was ON. If 00001 goes ON, a message will be cleared.



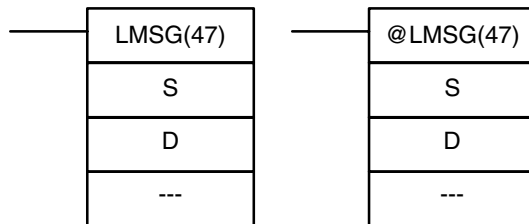
Address	Instruction	Operands
00000	LD	00000
00001	MSG(46)	
		DM 0010
00002	LD	00001
00003	FAL(06)	00

DM contents					ASCII equivalent	
DM 0010	4	1	4	2	A	B
DM 0011	4	3	4	4	C	D
DM 0012	4	5	4	6	E	F
DM 0013	4	7	4	8	G	H
DM 0014	4	9	4	A	I	J
DM 0015	4	B	4	C	K	L
DM 0016	4	D	4	E	M	N
DM 0017	4	F	5	0	O	P

```
MSG
ABCDEFGHIJKLMNOF
```

**5-22-4 LONG MESSAGE – LMSG(47)**

**Ladder Symbols**



**Operand Data Areas**

<b>S:</b> First source word (ASCII)
IR, AR, DM, HR, TC, LR
<b>D:</b> Destination
# (000)
---: Not used.

**Limitations**

Can be performed with the CPU11-E only. S through S+15 must be in the same data area and must be in ASCII. The message will be truncated if a null character (00) is contained between S and S+15.

**Description**

LMSG(47) is used to output a 32-character message to a Programming Console. The message to be output must be in ASCII beginning in word S and ending in S+15, unless a shorter message is desired. A shorter message can be produced by placing a null character (00) into the string; no characters from the null character on will be output.

D designates the destination of the output. For the C200H, 000 designates the Programming Console.

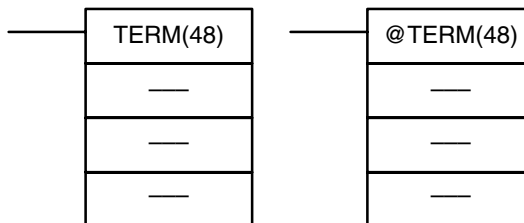
To output to the Programming Console, it must be set in TERMINAL mode. Although LMSG(47) will be executed as normal, the message will not appear correctly on the Programming Console unless TERMINAL mode is set.

**Flags** **ER:** S and S+15 are not in the same data area.  
Indirectly addressed DM word is non-existent. (Content of \* DM word is not BCD, or the DM area boundary has been exceeded.)

**Example** Although the display is longer and there is a choice of output devices, the coding LMSG(47) is the same as that for MSG(46). Refer to *Example* under the previous section for an example using MSG(46).

### 5-22-5 TERMINAL MODE – TERM(48)

Ladder Symbols

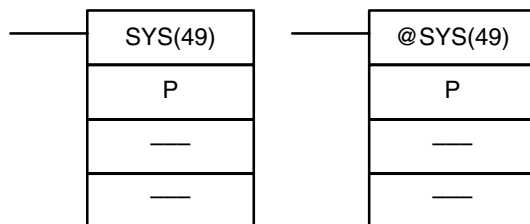


**Limitations** Can be performed with the CPU11-E only.

**Description** When the execution condition is OFF, TERM(48) is not executed. When the execution condition is ON, the Programming Console can be switched to TERMINAL mode by pressing the CHG key on the Programming Console. The Programming Console will enter the CONSOLE mode when the CHG key is pressed again. Instructions MSG(46), LMSG(47), and the keyboard mapping function, are executed in the CONSOLE mode.

### 5-22-6 SET SYSTEM – SYS(49)

Ladder Symbols



Operand Data Areas

<b>P: Parameters</b>
#
—: Not used.
—: Not used.
IR, SR, AR, DM, HR, TC, LR, TR, #

**Limitations** Can be performed with the CPU11-E only. Only specific values are valid for P (see below).

**Description** SYS(49) can be used either to control certain operating parameters, or to execute the same system commands that are possible from the AR area. The contents of the leftmost 8 bits of P determine which function SYS(49) will have.

**Bit Control**

If the leftmost 8 bits of P contain A3, SYS(49) is used to set set system operating parameters. To be effective, it must be programmed at program address 00001 with LD AR 1001 at program address 00000.

Only bits 00, 06, and 07 are used. If bit 00 is 1, the battery check will be excluded from system error checks when PC power is turned ON. If bit 06 is 1, the Force Status Hold Bit (SR 25212) will be turned ON. If bit 07 is 1 the I/O Status Hold Bit (SR 25212) that will maintain I/O bit status when PC power is turned ON.

**System Commands**

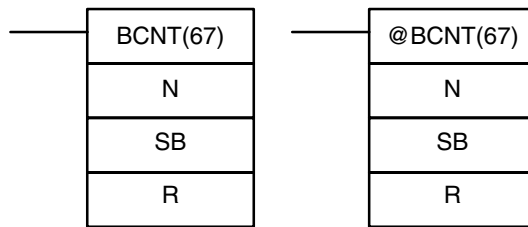
If the leftmost 8 bits of P contain 00, the system command indicated by the command code in the rightmost 8 bits will be executed. Refer to 3-5-11 Network Parameter Flags for details.

**Flags**

No flags are affected by this instruction.

**5-22-7 BIT COUNTER – BCNT(67)**

**Ladder Symbols**



**Operand Data Areas**

<b>N:</b> Number of words (BCD)
IR, AR, DM, HR, TC, LR, #
<b>SB:</b> Source beginning word
IR, SR, AR, DM, HR, TC, LR
<b>R:</b> Destination word
IR, AR, DM, HR, TC, LR

**Limitations**

N cannot be 0.

**Description**

When the execution condition is OFF, BCNT(67) is not executed. When the execution condition is ON, BCNT(67) counts the total number of bits that are ON in all words between SB and SB+(N-1) and places the result in D.

**Flags**

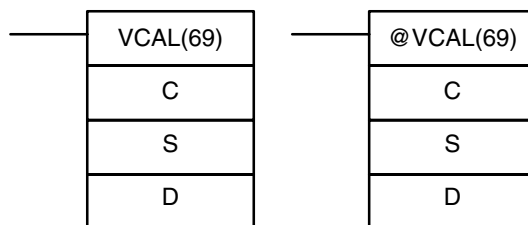
**ER:** N is not BCD, or N is 0; SB and SB+(N-1) are not in the same area. The resulting count value exceeds 9999.

Indirectly addressed DM word is non-existent. (Content of \* DM word is not BCD, or the DM area boundary has been exceeded.)

**EQ:** ON when the result is 0.

**5-22-8 VALUE CALCULATE – VCAL(69)**

**Ladder Symbols**



**Operand Data Areas**

<b>C:</b> Control word
IR, AR, DM, HR, TC, LR, #
<b>S:</b> Input data source word
IR, SR, AR, DM, HR, TC, LR
<b>D:</b> Result destination word
IR, AR, DM, HR, TC, LR



**Limitations**

Can be performed with the CPU11-E only. For trigonometric functions, x, the content of S, must be in BCD form and satisfy the condition  $0000 \leq x \leq 0900$  ( $0^\circ \leq \theta \leq 90^\circ$ ).

**Description**

When the execution condition is OFF, VCAL(69) is not executed. When the execution condition is ON, the operation of VCAL(69) depends on the control word C. If C is #0000 or #0001, VCAL(69) computes  $\sin(x)$  or  $\cos(x)^*$ . If C is an address, VCAL(69) computes  $f(x)$  of the function entered in advance at word C. The function is a series of line segments (which can approximate a curve) determined by the operator.

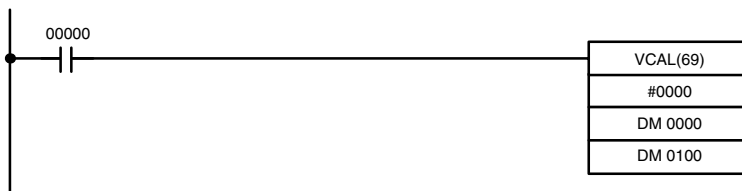
\* x is the content of S.

**Flags**

- ER:** Indirectly addressed DM word is non-existent. (Content of  $\#$ : DM word is not BCD, or the DM area boundary has been exceeded.)  
For trigonometric functions,  $x > 0900$ . (x is the content of S.)  
The linear approximation data is not readable.
- EQ:** The result is 0.

**Sine Function**

The following example demonstrates the use of the VCAL(69) sine function to calculate the sine of  $30^\circ$ . The sine function is specified when C is #0000.



Address	Instruction	Operands
00000	LD	00000
00001	VCAL(69)	
		# 0000
		DM 0000
		DM 0100

Input data, x

S: DM 0000			
	$10^1$	$10^0$	$10^{-1}$
0	3	0	0

Enter input data not exceeding #0900 in BCD form.

Result data

D: DM 0100			
$10^{-1}$	$10^{-2}$	$10^{-3}$	$10^{-4}$
5	0	0	0

Result data has four significant digits, fifth and higher digits are ignored.  
The result for  $\sin(90)$  will be 0.9999, not 1.

**Cosine Function**

The following example demonstrates the use of the VCAL(69) cosine function to calculate the cosine of  $30^\circ$ . The cosine function is specified when C is #0001.



Address	Instruction	Operands
00000	LD	00000
00001	VCAL(69)	
		# 0001
		DM 0010
		DM 0110

Input data, x

S: DM 0010			
	$10^1$	$10^0$	$10^{-1}$
0	3	0	0

Enter input data not exceeding #0900 in BCD form.

Result data

D: DM 0110			
$10^{-1}$	$10^{-2}$	$10^{-3}$	$10^{-4}$
8	6	6	0

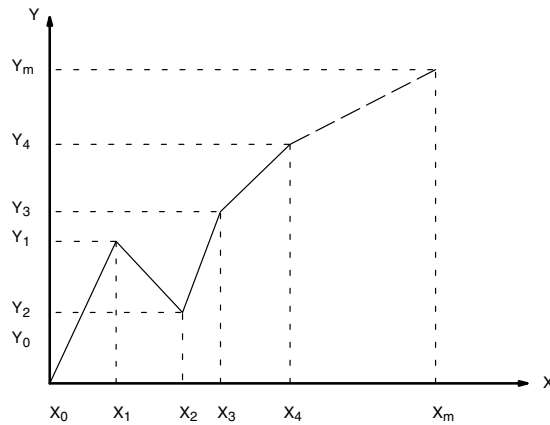
Result data has four significant digits, fifth and higher digits are ignored.  
The result for  $\cos(0)$  will be 0.9999, not 1.

**Linear Approximation**

VCAL(69) linear approximation is specified when C is a memory address. Word C is the first word of the continuous block of memory containing the linear approximation data.

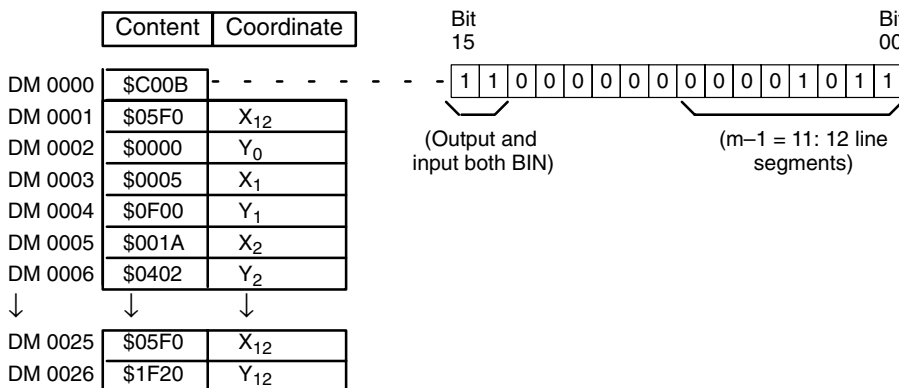
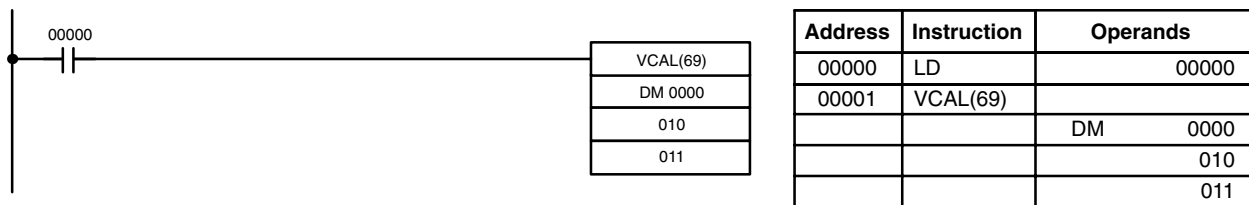
The content of word C specifies the number of line segments in the approximation, and whether the input and output are in BCD or BIN form. Bits 00 to 07 contain the number of line segments less 1,  $m-1$ , as binary data. Bits 14 and 15 determine, respectively, the output and input forms: 0 specifies BCD and 1 specifies BIN.

Enter the coordinates of the  $m+1$  end-points, which define the  $m$  line segments, as shown in the following table. Enter all coordinates in BIN form. Do not allow the data block to overlap the RAM and EEPROM sections of the DM area. The EEPROM section begins at DM1000.

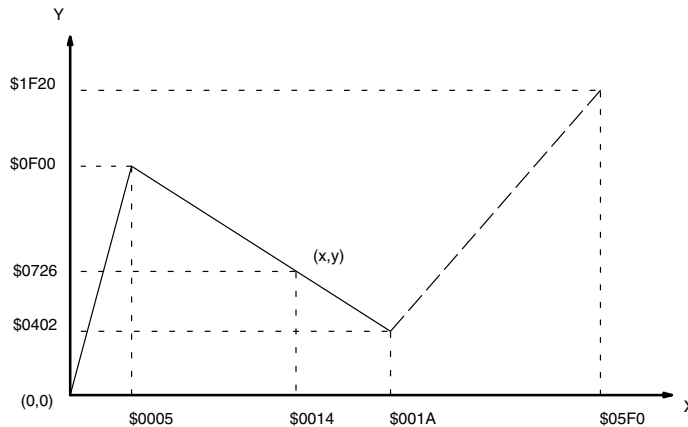


Word	Coordinate
C+1	$X_m$ (max. X value)
C+2	$Y_0$
C+3	$X_1$
C+4	$Y_1$
C+5	$X_2$
C+6	$Y_2$
↓	↓
C+(2m+1)	$X_m$
C+(2m+2)	$Y_m$

The following example demonstrates the construction of a linear approximation with 12 line segments. The block of data is continuous, as it must be, from DM 0000 to DM 0026 ( $C$  to  $C + (2 \times 12 + 2)$ ). The input data is taken from IR 010, and the result is output to IR 011.

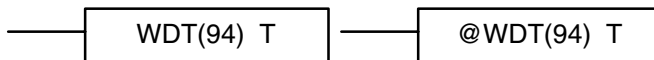


In this case, the input data word, IR 010, contains #0014, and  $f(0014) = \#0726$  is output to R, IR 011.



### 5-22-9 WATCHDOG TIMER REFRESH- WDT(94)

**Ladder Symbols**



**Definer Data Areas**

T: Watchdog timer value
# (00 to 63)

**Description**

When the execution condition is OFF, WDT(94) is not executed. When the execution condition is ON, WDT(94) extends the setting of the watchdog timer (normally set by the system to 130 ms) by 100 ms times T.

$$\text{Timer extension} = 100 \text{ ms} \times T.$$

**Precautions**

If the cycle time is longer than the time set for the watchdog timer, 9F will be output to the FAL area and the CPU will stop.

If the cycle time exceeds 6,500 ms, a FALS 9F will be generated and the system will stop.

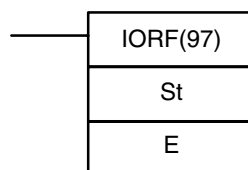
Timers might not function properly when the cycle time exceeds 100 ms. When using WDT(94), the same timer should be repeated in the program at intervals that are less than 100 ms apart. TIMH(15) should be used only in a scheduled interrupt routine executed at intervals of 10 ms or less.

**Flags**

There are no flags affected by this instruction.

### 5-22-10 I/O REFRESH – IORF(97)

**Ladder Symbol**



**Operand Data Areas**

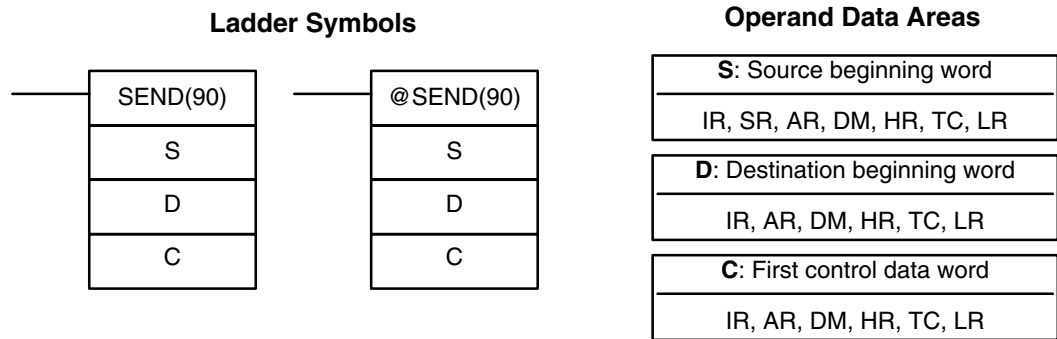
St: Starting word
IR (I/O word only)
E: End word
IR (I/O word only)

- Limitations** IORF(97) can be used to refresh I/O words allocated to the CPU or an Expansion I/O Rack only. It cannot be used for other I/O words.  
St must be less than or equal to E.
- Description** When the execution condition is OFF, IORF(97) is not executed. When the execution condition is ON, all words between St and E will be refreshed. This will be in addition to the normal I/O refresh performed during the CPU's cycle.
- Execution Time** The execution time for IORF(97),  $T_{IORF}$ , is computed as follows:  
 $T_{IORF} = 1 \text{ ms} + (130 \mu\text{s} \times \text{number of words refreshed})$
- Flags** There are no flags affected by this instruction.

## 5-23 SYSMAC NET Link/SYSMAC LINK Instructions

The SYSMAC NET Link/SYSMAC LINK instructions are used for communicating with other PCs linked through the SYSMAC NET Link System or SYSMAC LINK System. These instructions are applicable to the CPU11-E only.

### 5-23-1 NETWORK SEND – SEND(90)



- Limitations** Can be performed with the CPU11-E only. C through C+2 must be within the same data area and must be within the values specified below. To be able to use SEND(90), the system must have a SYSMAC NET Link or SYSMAC LINK Unit mounted.
- Description** When the execution condition is OFF, SEND(90) is not executed. When the execution condition is ON, SEND(90) transfers data beginning at word S, to addresses specified by D in the designated node on the SYSMAC NET Link/SYSMAC LINK System. The control words, beginning with C, specify the number of words to be sent, the destination node, and other parameters. The contents of the control data depends on whether a transmission is being sent in a SYSMAC NET Link System or a SYSMAC LINK System.  
  
The status of bit 15 of C+1 determines whether the instruction is for a SYSMAC NET Link System or a SYSMAC LINK System.

#### Control Data

- SYSMAC NET Link Systems** The destination port number is always set to 0. Set the destination node number to 0 to send the data to all nodes. Set the network number to 0 to

send data to a node on the same Subsystem (i.e., network). Refer to the *SYSMAC NET Link System Manual* for details.

Word	Bits 00 to 07	Bits 08 to 15
C	Number of words (0 to 1000 in 4-digit hexadecimal, i.e., 0000 <sub>hex</sub> to 03E8 <sub>hex</sub> )	
C+1	Network number (0 to 127 in 2-digit hexadecimal, i.e., 00 <sub>hex</sub> to 7F <sub>hex</sub> )	Bit 14 ON: Operating level 0 OFF: Operating level 1 Bits 08 to 13 and 15: Set to 0.
C+2	Destination node (0 to 126 in 2-digit hexadecimal, i.e., 00 <sub>hex</sub> to 7E <sub>hex</sub> )*	Destination port NSB: 00 NSU: 01/02

\*The node number of the PC executing the send may be set.

**SYSMAC LINK Systems**

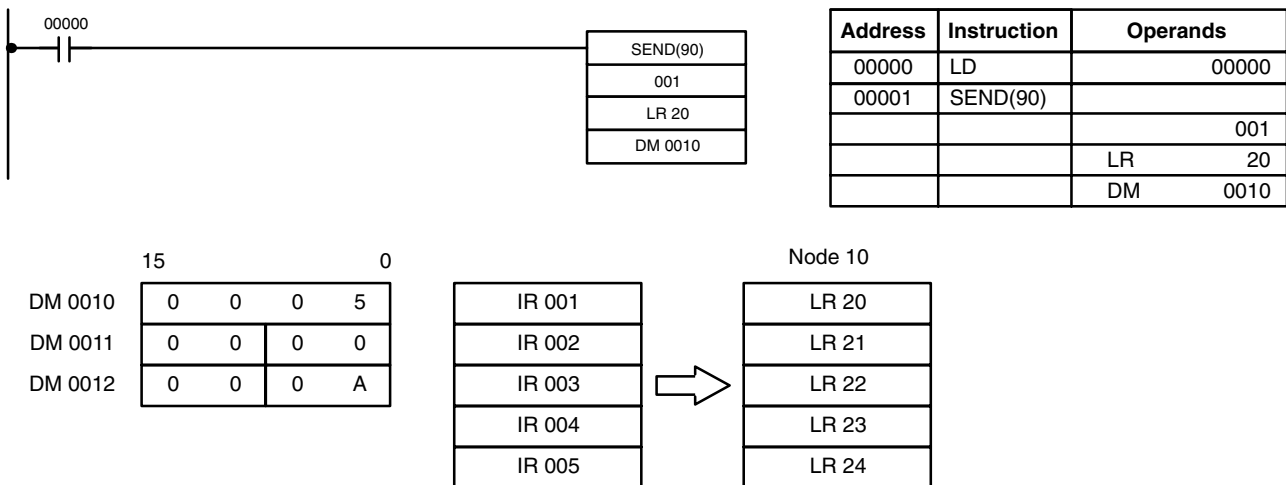
Set the destination node number to 0 to send the data to all nodes. Refer to the *SYSMAC LINK System Manual* for details.

Word	Bits 00 to 07	Bits 08 to 15
C	Number of words (0 to 256 in 4-digit hexadecimal, i.e., 0000 <sub>hex</sub> to 0100 <sub>hex</sub> )	
C+1	Response time limit (0.1 and 25.4 seconds in 2-digit hexadecimal without decimal point, i.e., 00 <sub>hex</sub> to FF <sub>hex</sub> ) <b>Note:</b> The response time will be 2 seconds if the limit is set to 0 <sub>hex</sub> . There will be no time limit if the time limit is set to FF <sub>hex</sub> .	Bits 08 to 11: No. of retries (0 to 15 in hexadecimal, i.e., 0 <sub>hex</sub> to F <sub>hex</sub> ) Bit 12: Set to 0. Bit 13 ON: Response not returned. OFF: Response returned. Bit 14 ON: Operating level 0 OFF: Operating level 1 Bit 15: Set to 1.
C+2	Destination node (0 to 62 in 2-digit hexadecimal, i.e., 00 <sub>hex</sub> to 3E <sub>hex</sub> )*	Set to 0.

\*The node number of the PC executing the send cannot be set.

**Examples**

This example is for a SYSMAC NET Link System. When 00000 is ON, the following program transfers the content of IR 001 through IR 005 to LR 20 through LR 24 on node 10.



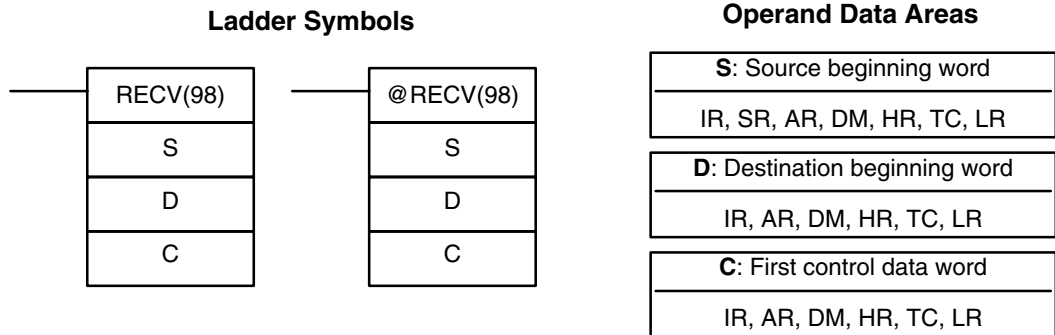
**Flags**

**ER:** The specified node number is greater than 126 in a SYSMAC NET Link System or greater than 62 in a SYSMAC LINK System. The sent data overruns the data area boundaries.

Indirectly addressed DM word is non-existent. (Content of ⌘ DM word is not BCD, or the DM area boundary has been exceeded.)

There is no SYSMAC NET Link/SYSMAC LINK Unit.

### 5-23-2 NETWORK RECEIVE – RECV(98)



**Limitations**

Can be performed with the CPU11-E only. C through C+2 must be within the same data area and must be within the values specified below. To be able to use RECV(98), the system must have a SYSMAC NET Link or SYSMAC LINK Unit mounted.

**Description**

When the execution condition is OFF, RECV(98) is not executed. When the execution condition is ON, RECV(98) transfers data beginning at S from a node on the SYSMAC NET Link/SYSMAC LINK System to words beginning at D. The control words, beginning with C, provide the number of words to be received, the source node, and other transfer parameters.

The status of bit 15 of C+1 determines whether the instruction is for a SYSMAC NET Link System or a SYSMAC LINK System.

**Control Data**

**SYSMAC NET Link Systems**

The source port number is always set to 0. Set the network number to 0 to receive data to a node on the same Subsystem (i.e., network). Refer to the SYSMAC NET Link System Manual for details.

Word	Bits 00 to 07	Bits 08 to 15
C	Number of words (0 to 1000 in 4-digit hexadecimal, i.e., 0000 <sub>hex</sub> to 03E8 <sub>hex</sub> )	
C+1	Network number (0 to 127 in 2-digit hexadecimal, i.e., 00 <sub>hex</sub> to 7F <sub>hex</sub> )	Bit 14 ON: Operating level 0 OFF: Operating level 1 Bits 08 to 13 and 15: Set to 0.
C+2	Source node (1 to 126 in 2-digit hexadecimal, i.e., 01 <sub>hex</sub> to 7E <sub>hex</sub> )	Source port NSB: 00 NSU: 01/02

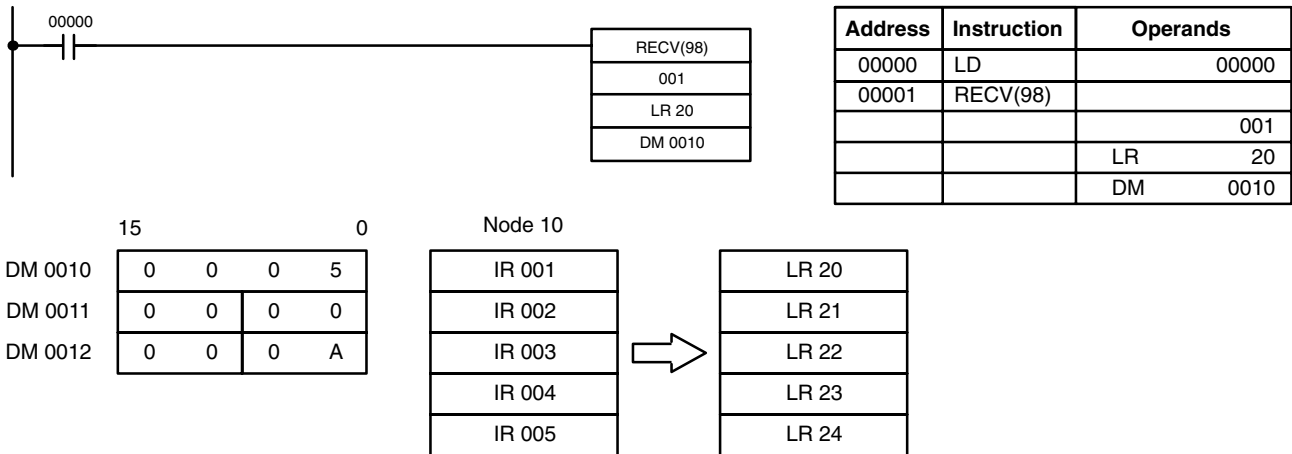
**SYSMAC LINK Systems**

Refer to the *SYSMAC LINK System Manual* for details.

Word	Bits 00 to 07	Bits 08 to 15
C	Number of words (0 to 256 in 4-digit hexadecimal, i.e., 0000 <sub>hex</sub> to 0100 <sub>hex</sub> )	
C+1	Response time limit (0.1 and 25.4 seconds in 2-digit hexadecimal without decimal point, i.e., 00 <sub>hex</sub> to FF <sub>hex</sub> )  <b>Note:</b> The response time will be 2 seconds if the limit is set to 0 <sub>hex</sub> . There will be no time limit if the time limit is set to FF <sub>hex</sub> .	Bits 08 to 11: No. of retries (0 to 15 in hexadecimal, i.e., 0 <sub>hex</sub> to F <sub>hex</sub> ) Bit 12: Set to 0. Bit 13: Set to 0. Bit 14 ON: Operating level 0 OFF: Operating level 1 Bit 15: Set to 1.
C+2	Source node (0 to 62 in 2-digit hexadecimal, i.e., 00 <sub>hex</sub> to 3E <sub>hex</sub> )	Set to 0.

**Examples**

This example is for a SYSMAC NET Link System. When 00000 is ON, the following program transfers the content of IR 001 through IR 005 to LR 20 through LR 24 on node 10.



**Flags**

- ER:** The specified node number is greater than 126 in a SYSMAC NET Link System or greater than 62 in a SYSMAC LINK System.  
The received data overflows the data area boundaries.  
Indirectly addressed DM word is non-existent. (Content of \* DM word is not BCD, or the DM area boundary has been exceeded.)  
There is no SYSMAC NET Link/SYSMAC LINK Unit.

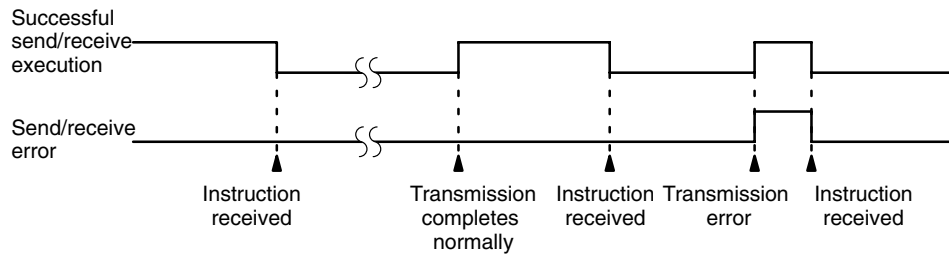
**5-23-3 About SYSMAC NET Link/SYSMAC LINK Operations**

SEND(90) and RECV(98) are based on command/response processing. That is, the transmission is not complete until the sending node receives and acknowledges a response from the destination node. Note that the SEND(90)/RECV(98) Enable Flag is not turned ON until the first END(01) after the transmission is completed. Refer to the *SYSMAC NET Link System Manual* or *SYSMAC LINK System Manual* for details about command/re-response operations.

If multiple SEND(90)/RECV(98) operations are used, the following flags must be used to ensure that any previous operation has completed before attempting further send/receive SEND(90)/RECV(98) operations

SR Flag	Functions
SEND(90)/RECV(98) Enable Flags (SR 25201, SR 25204)	OFF during SEND(90)/RECV(98) execution (including command response processing). Do not start a SEND(90)/RECV(98) operation unless this flag is ON.
SEND(90)/RECV(98) Error Flags (SR 25200, SR 25203)	OFF following normal completion of SEND/RECV (i.e., after reception of response signal) ON after an unsuccessful SEND(90)/RECV(98) attempt. Error status is maintained until the next SEND(90)/RECV(98) operation. Error types: Time-out error (command/response time greater than 1 second) Transmission data errors

**Timing**



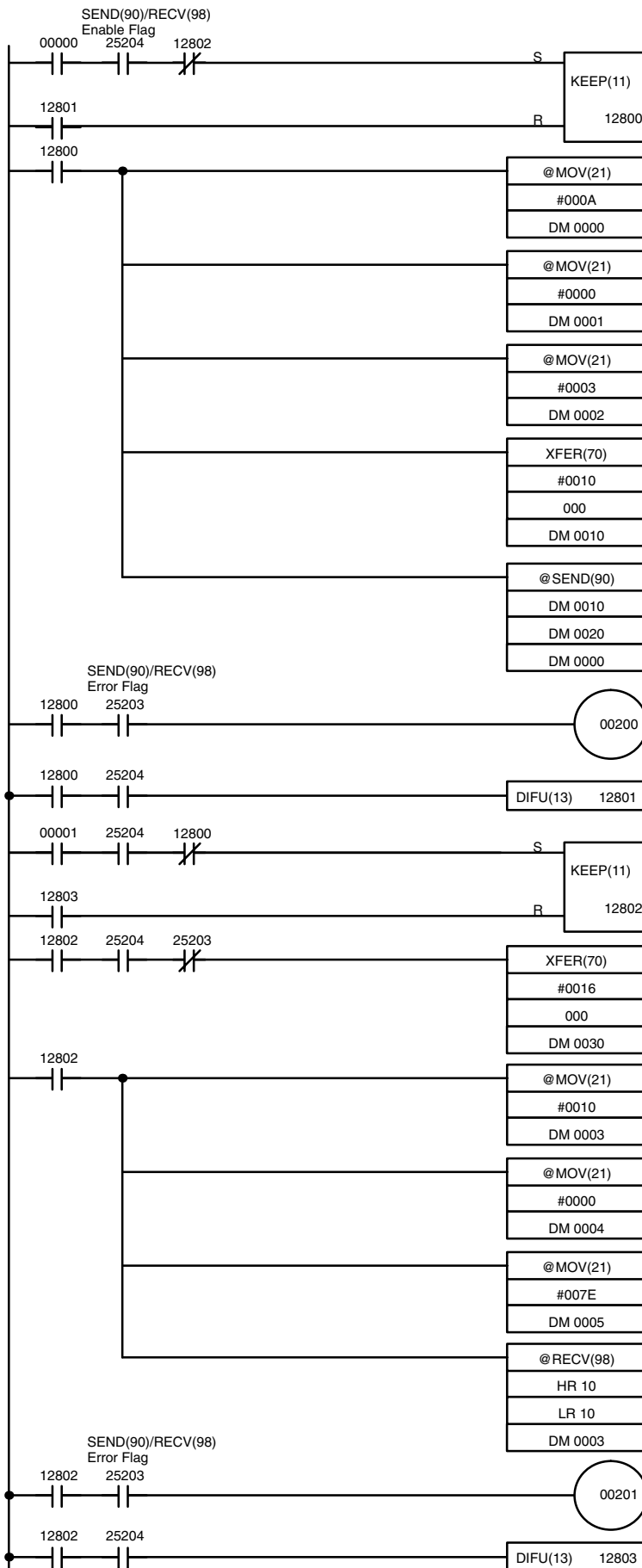
**Data Processing for SEND(90)/RECV(98)**

Data is transmitted for SEND(90) and RECV(98) for all PCs when SEND(90)/RECV(98) is executed. Final processing for transmissions/receptions is performed during servicing of peripheral devices and Link Units.

**Programming Example: Multiple SEND(90)/RECV(98)**

To ensure successful SEND(90)/RECV(98) operations, your program must use the SEND(90)/RECV(98) Enable Flags and SEND(90)/RECV(98) Error Flags to confirm that execution is possible. The following program shows one example of how to do this for a SYSMAC NET Link System.





12800 prevents execution of SEND(90) until RECV(98) (below) has completed. IR 00000 is turned ON to start transmission.

Data is placed into control data words to specify the 10 words to be transmitted to node 3 in operating level 1 of network 00 (NSB).

Turns ON to indicate transmission error.

Resets 12800, above.

12802 prevents execution of RECV(98) when SEND(90) above has not completed. IR 00001 is turned ON to start transmission.

Transmitted data moved into words beginning at DM 0030 for storage.

Data moved into control data words to specify the 16 words to be transmitted from node 126 in operating level 1 of network 00 (NSB).

Turns ON to indicate reception error.

Resets 12802, above.

Address	Instruction	Operands
00000	LD	00000
00001	AND	25204
00002	AND NOT	12802
00003	LD	12801
00004	KEEP(11)	12800
00005	LD	12800
00006	@MOV(21)	
		# 000A
		DM 0000
00007	@MOV(21)	
		# 0000
		DM 0001
00008	@MOV(21)	
		# 0003
		DM 00002
00009	@XFER(70)	
		# 0010
		000
		DM 0002
00010	@SEND(90)	
		DM 0010
		DM 0020
		DM 0000
00011	LD	12800
00012	AND	25203
00013	OUT	00200
00014	LD	12800
00015	AND	25204
00016	DIFU(13)	12801
00017	LD	00001
00018	AND	25204

Address	Instruction	Operands
00019	AND NOT	12800
00020	LD	12803
00021	KEEP(11)	12802
00022	LD	12802
00023	AND	25204
00024	AND NOT	25203
00025	XFER(70)	
		# 0016
		000
		DM 0030
00026	LD	12802
00027	@MOV(21)	
		# 0010
		DM 0003
00028	@MOV(21)	
		# 0000
		DM 0004
00029	@MOV(21)	
		# 007E
		DM 0005
00030	@RECV(98)	
		HR 10
		LR 10
		DM 0003
00031	LD	12802
00032	AND	25203
00033	OUT	00201
00034	LD	12802
00035	AND	25204
00036	DIFU(13)	12803



# SECTION 6

## Program Execution Timing

The timing of various operations must be considered both when writing and debugging a program. The time required to execute the program and perform other CPU operations is important, as is the timing of each signal coming into and leaving the PC in order to achieve the desired control action at the right time. This section explains the cycle and shows how to calculate the cycle time and I/O response times.

I/O response times in Link Systems are described in the individual System Manuals. These are listed at the end of *Section 1 Introduction*.

6-1	Cycle Time .....	220
6-1-1	CPU01-E, 03-E Cycle Time .....	221
6-1-2	CPU11-E Cycle Time .....	224
6-2	Calculating Cycle Time .....	226
6-2-1	PC with I/O Units Only .....	226
6-2-2	PC with Link Units .....	227
6-3	Instruction Execution Times .....	228
6-4	I/O Response Time .....	234

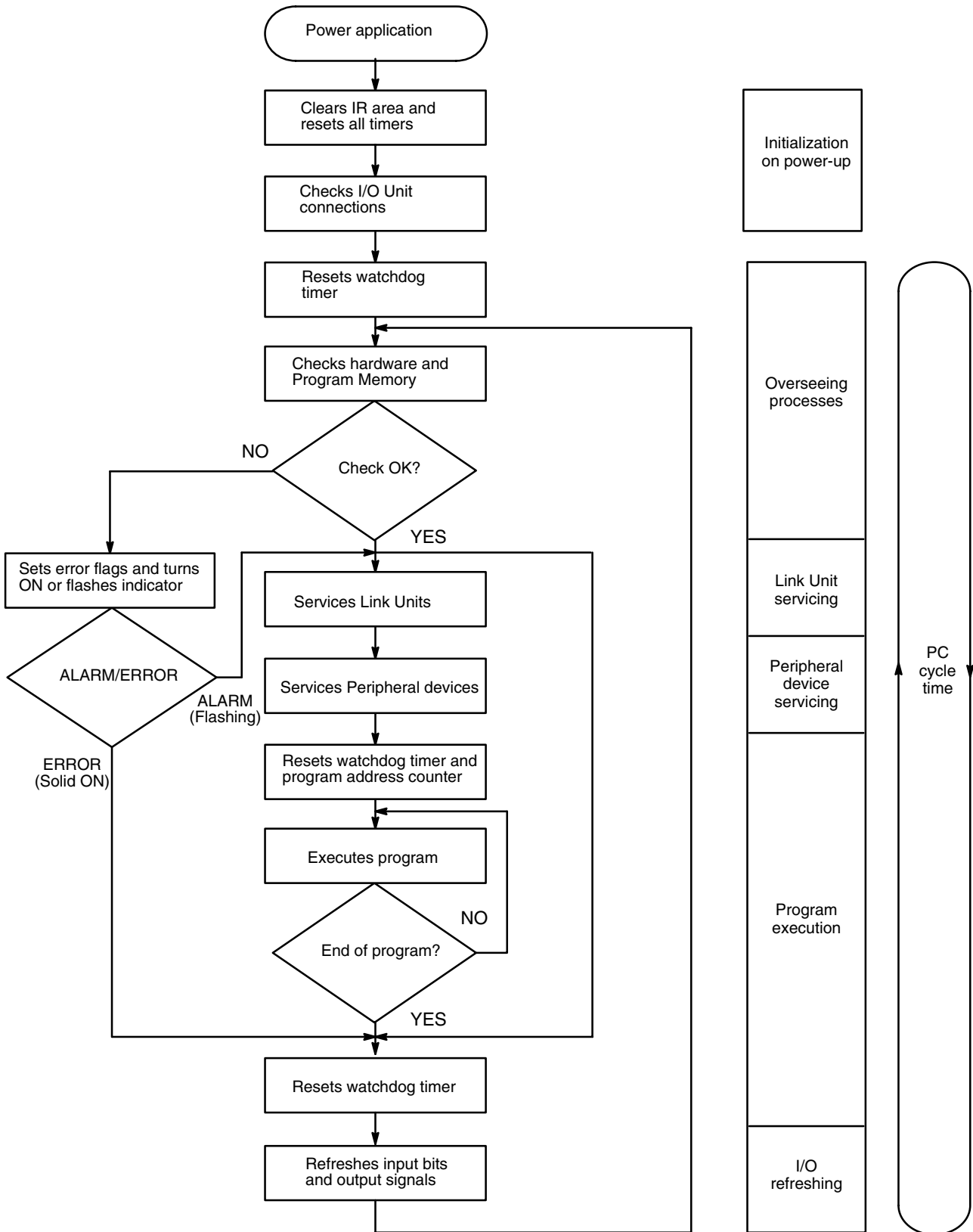
## **6-1 Cycle Time**

To aid in PC operation, the average, maximum, and minimum cycle times can be displayed on the Programming Console or any other Programming Device and the maximum cycle time and current cycle time values are held in AR 26 and AR 27. Understanding the operations that occur during the cycle and the elements that affect cycle time is, however, essential to effective programming and PC operations.

The major factors in determining program timing are the cycle time and the I/O response time. One scan of CPU operation is called a cycle; the time required for one cycle is called the cycle time. The time required to produce a control output signal following reception of an input signal is called the I/O response time.

The operation of the CPU11-E is different from that of the CPU01-E and 03-E. The overall flow of the CPU01-E and 03-E operation and CPU11-E operation are as shown in the following flowcharts.

6-1-1 CPU01-E, 03-E Cycle Time



The first three operations immediately after power application are performed only once each time the PC is turned on. The rest of the operations are per-

formed in cyclic fashion, with each scan forming one cycle. The cycle time is the time that is required for the CPU to complete one of these cycles. This cycle includes basically five types of operation.

- 1, 2, 3...**
1. Overseeing
  2. Link Unit servicing
  3. Peripheral device servicing
  4. Program execution
  5. I/O refreshing

The cycle time is the total time required for the PC to perform all of the above operations.

The last of the above five operations is composed of up to four separate components. The breakdown of this operation and the function and time required for each operation are shown in the following table.

Operation	Time required	Function
1. Overseeing	2.6 ms	Watchdog timer set. I/O Bus, Program Memory, and cycle time checked.
2. Host Link Unit servicing	8 ms max. per unit	Commands from computers connected through Rack-mounting Host Link Units processed.
3. Peripheral device servicing	0 ms when no devices are mounted. 0.8 ms when T is less than or equal to 13 ms. $T \times 0.06$ ms when T is greater than 13 ms. (T is the total cycle time for operations 1, 2, 4, and 5.)	Commands from Programming Devices and Interface Units processed.
4. Program execution	Total execution time for all instructions varies with program size, the instructions used, and execution conditions. Refer to 6-3 <i>Instruction Execution Times</i> for details.	Program executed.
5. I/O refreshing	70 $\mu$ s per input word. 40 $\mu$ s per output word. (12 pt. units are treated as 16 pt. units.) 1.3 ms per Remote I/O Master Unit + 0.2 ms per Remote I/O Slave Unit number used. PC Link and Special I/O Unit refresh time, as shown in the following tables.	Input bits set according to status of input signals. Output signals sent according to status of output bits in memory. Inputs and Outputs in Remote I/O Systems refreshed. Special I/O Units serviced.

**PC Link Unit I/O Refresh**

Switch 7 setting		I/O pts to refresh	Time required (ms)
Pin 1	Pin 2		
0	0	512	8.9
0	1	256	5.7
1	0	128	3.6
1	1	64	2.8

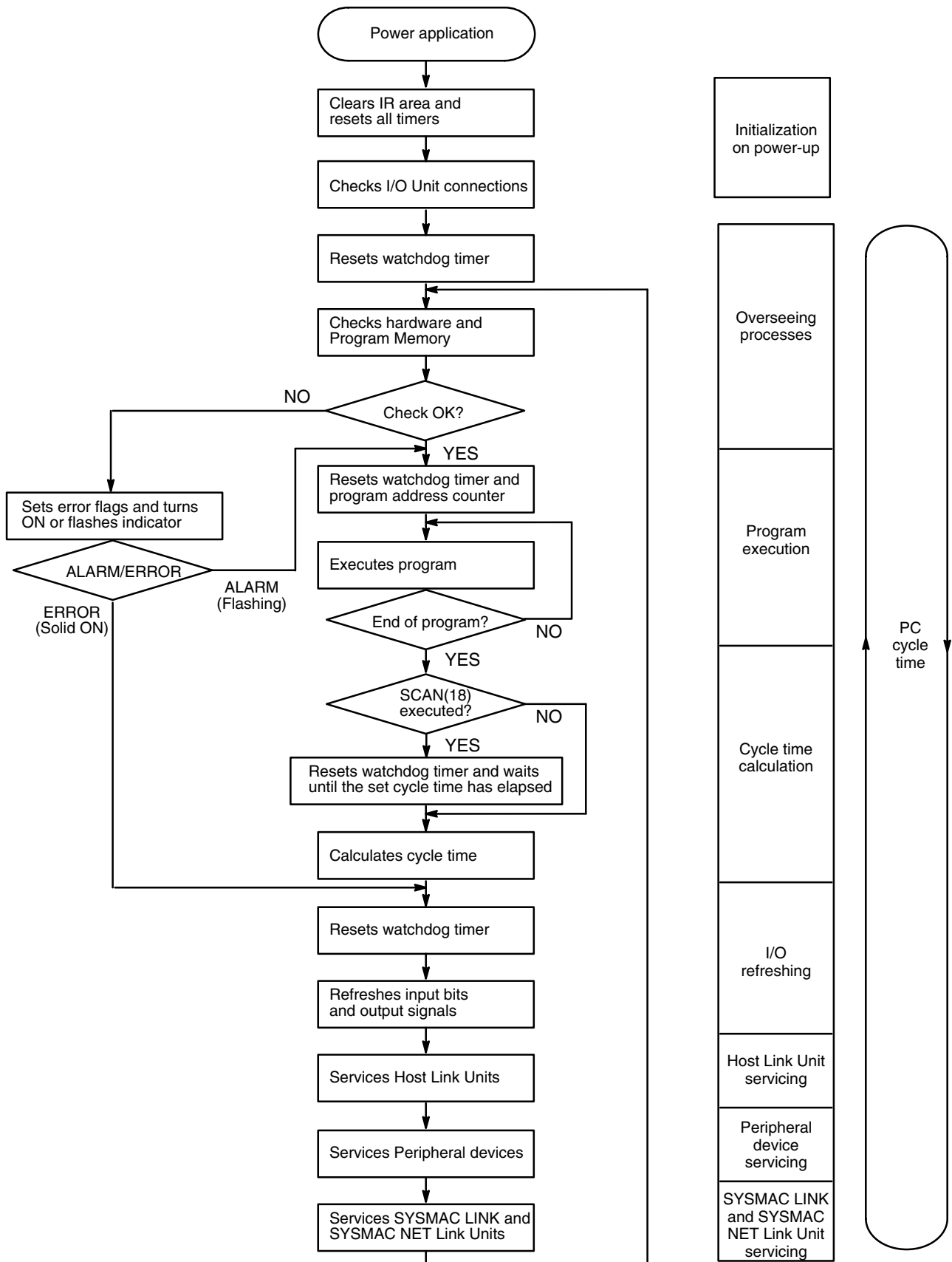
Special I/O Unit Refresh

Unit	Time required
C200H-ID501/215	0.8 ms each
C200H-OD501/215	0.8 ms each when set for 32 I/O pts.
C200H-MD501/215	1.8 ms each when set for I/O timing
C200H-CT001-V1/CT002	2.2 ms
C200H-NC111/NC112	3.0 ms
C200H-NC211	6 ms
C200H-AD001	2.3 ms
C200H-AD002	2.0 ms
C200H-DA001	2.0 ms
C200H-TS001/TS101	1.8 ms each
C200H-TC□□□ (see note 1)	4.0 ms each
C200H-ASC02	2.0 ms each normally, 6.0 ms for @ format
C200H-IDS01-V1/IDS21	2.5 ms each normally, 6.5 ms for command transfer
C200H-OV001	4.5 ms
C200H-TV□□□ (see note 1)	4.0 ms
C200H-PID0□ (see note 2)	4.0 ms
C200H-FZ001	2.3 ms
C200H-CP114	3.2 ms

- Note**
1. □□□ = 001/002/003/101/102/103
  2. □ = 1/2/3



6-1-2 CPU11-E Cycle Time



The first three operations immediately after power application are performed only once each time the PC is turned on. The rest of the operations are performed in cyclic fashion, with each scan forming one cycle. The cycle time is the time that is required for the CPU to complete one of these cycles. This cycle includes basically seven types of operation.

- 1, 2, 3...**
1. Overseeing
  2. Program execution
  3. Cycle time calculation
  4. I/O refreshing
  5. Host Link Unit servicing
  6. Peripheral device servicing
  7. SYSMAC LINK and SYSMAC NET Link Unit servicing

The cycle time is the total time required for the PC to perform all of the above operations, in the order 4, 5, 6, 7, 1, 2.

Operation	Time required	Function
1. Overseeing	3.5 ms	Watchdog timer set. I/O Bus, Program Memory checked. Clock refreshed.
2. Program execution	Total execution time for all instructions varies with program size, the instructions used, and execution conditions. Refer to 6-3 <i>Instruction Execution Times</i> for details.	Program executed.
3. Cycle time calculation	Negligible	Cycle time calculated. When the Cycle Time instruction (SCAN(18)) is executed, waits until the set time has elapsed and then resets the watchdog timer.
4. I/O refreshing	70 $\mu$ s per input word. 40 $\mu$ s per output word. 1.3 ms per Remote I/O Master Unit + 0.2 ms per Remote I/O Slave Unit number used. Refer to the tables in 6-1-1 <i>CPU01-E, 03-E Cycle Time</i> for details on PC Link and Special I/O Unit refresh time.	Input bits set according to status of input signals. Output signals sent according to status of output bits in memory. Inputs and Outputs in Remote I/O Systems refreshed. Special I/O Units serviced.
5. Host Link Unit servicing	8 ms max. per unit	Commands from computers connected through Rack-mounting Host Link Units processed.
6. Peripheral device servicing	0 ms when no devices are mounted. 0.8 ms when $T \leq 13$ ms. $T \times 0.06$ ms when $T > 13$ ms. (T is the total cycle time calculated in operation 3.)	Commands from Programming Devices and Interface Units processed.
7. SYSMAC LINK and SYSMAC NET Link Unit servicing	1.5 ms per unit + 10 ms max.	Commands from computers connected through Rack-mounting Host Link Units processed.

**Special I/O Units in Remote I/O Slave Racks**

Remote I/O Master Units are serviced only once each cycle. When Special I/O Units are mounted in Remote I/O Slave Racks, the Remote I/O transmission time may exceed the cycle time. There may be cycles in which there is no I/O refresh between the Master and the PC. Inaccurate signals may be sent, especially when differential instructions are turned ON and OFF.

**Watchdog Timer and Long Cycle Times**

Within the PC, the watchdog timer measures the cycle time and compares it to a set value. If the cycle time exceeds the set value of the watchdog timer, a FALS 9F error is generated and the CPU stops. WDT(94) can be used to extend the set value for the watchdog timer.

Even if the cycle time does not exceed the set value of the watchdog timer, a long cycle time can adversely affect the accuracy of system operations as shown in the following table.

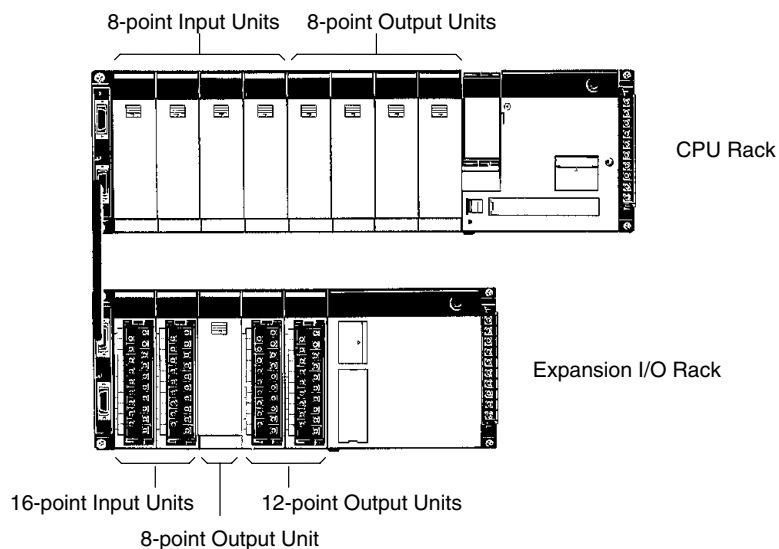
Cycle time (ms)	Possible adverse affects
10 or greater	TIMH(15) inaccurate when TC 016 through TC 511 are used.
20 or greater	0.02-second clock pulse not accurately readable.
100 or greater	0.1-second clock pulse not accurately readable and Cycle Timer Error Flag (25309) turns ON.
200 or greater	0.2-second clock pulse not accurately readable.
6,500 or greater	FALS code 9F generated regardless of watchdog timer setting and the system stops.

## 6-2 Calculating Cycle Time

The PC configuration, the program, and program execution conditions must be taken into consideration when calculating the cycle time. This means taking into account such things as the number of I/O points, the programming instructions used, and whether or not peripheral devices are employed. This section shows some basic cycle time calculation examples. To simplify the examples, the instructions used in the programs have been assumed to be all either LD or OUT. The average execution time for the instructions is thus 0.6  $\mu$ s. (Operating times are given in the table in Section 6-3.)

### 6-2-1 PC with I/O Units Only

Here, we'll compute the cycle time for a PC with a CPU01-E, or 03-E CPU Unit that controls only I/O Units, eight on the CPU Rack and five on a 5-slot Expansion I/O Rack. In this PC configuration, there is also a Programming Console mounted to the CPU that needs to be taken into consideration. The PC configuration for this would be as shown below. It is assumed that the program contains 5,000 instructions requiring an average of 0.94  $\mu$ s each to execute.



**Calculations**

The equation for the cycle time from above is as follows:

$$\text{Cycle time} = \begin{aligned} &\text{overseeing time} + \text{Link Unit servicing time} \\ &+ \text{peripheral device servicing time} \\ &+ \text{program execution time} \\ &+ \text{I/O refreshing time} \end{aligned}$$

The overseeing time is fixed at 2.6 ms. Since there are no Link Units mounted, the Link Unit servicing time is 0.

The Programming Console is mounted to the PC and the total cycle time of operations 1, 2, 4, and 5 is less than 13 ms, so the peripheral device servicing time is 0.8 ms.

The program execution time is 4.7 ms (0.94 μs/instruction times 5,000 instructions).

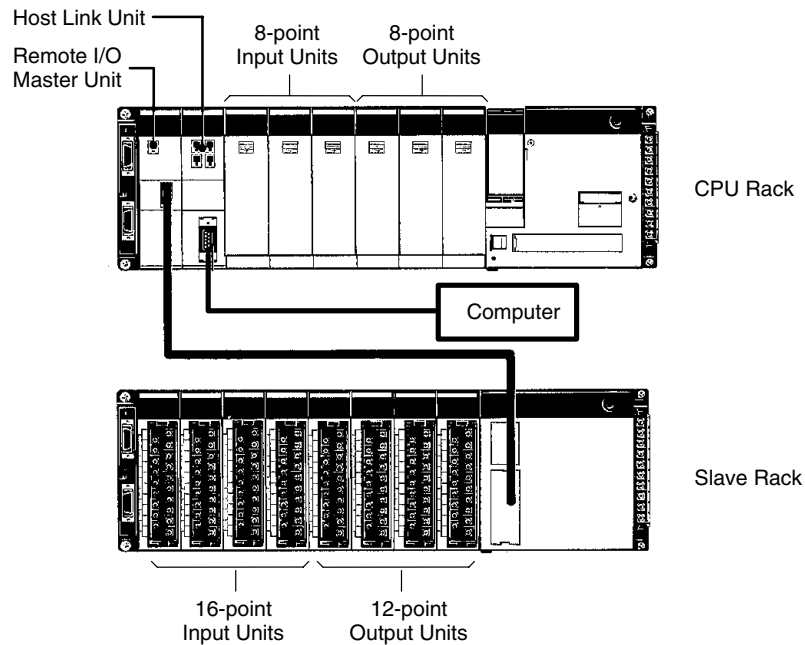
The I/O refresh time would be as follows for two 16-point Input Units, four 8-point Input Units, two 12-point Output Units (12 point units are treated as 16 point units), and five 8-point Output Units controlled by the PC:

$$\frac{(16 \text{ points} \times 2) + (8 \text{ points} \times 4)}{8 \text{ points}} \times 70 \mu\text{s} + \frac{(16 \text{ points} \times 2) + (8 \text{ points} \times 5)}{8 \text{ points}} \times 40 \mu\text{s} = 0.92 \text{ ms}$$

The cycle time would thus be 2.6 ms + 0.8 ms + 4.7 ms + 0.9 ms = 9.0 ms

**6-2-2 PC with Link Units**

Here, the cycle time is computed for a PC with a CPU01-E, or 03-E CPU Unit, three 8-point Input Units, three 8-point Output Units, a Host Link Unit, and a Remote I/O Master Unit connected to a Remote I/O Slave Rack containing four 16-point Input Units and four 12-point Output Units. The PC configuration for this could be as shown below. It is assumed that the program contains 5,000 instructions requiring an average of 0.94 μs each to execute.



**Calculations**

The equation for the cycle time is as follows:

$$\text{Cycle time} = \begin{aligned} &\text{overseeing time} + \text{Link Unit servicing time} \\ &+ \text{peripheral device servicing time} \\ &+ \text{program execution time} \\ &+ \text{I/O refreshing time} \end{aligned}$$

The overseeing time is fixed at 2.6 ms. A Link Unit is mounted, so the Link Unit servicing time is 8.0 ms.

The Programming Console is mounted to the PC and the total cycle time, T, of operations 1, 2, 4, and 5 is greater than 13 ms, so the peripheral device servicing time is  $(0.06 \times T) \text{ ms} = (0.06 \times 18.5) \text{ ms} = 1.1 \text{ ms}$ .

The program execution time is 4.7 ms (0.94  $\mu\text{s}$ /instruction times 5,000 instructions).

The I/O refresh time would be as follows for three 8-point Input Units and three 8-point Output Units mounted in the CPU Rack, and eight units mounted in a Slave Rack.

$$\frac{(8 \text{ points} \times 3) \times 70 \mu\text{s} + (8 \text{ points} \times 3) \times 40 \mu\text{s}}{8 \text{ points}} + 1.3 \text{ ms} + 8 \text{ units} \times 0.2 \text{ ms} = 3.2 \text{ ms}$$

The cycle time is 2.6 ms + 8.0 ms + 1.1 ms + 4.7 ms + 3.2 ms = 19.6 ms.

### 6-3 Instruction Execution Times

The following table lists the execution times for all instructions that are available for the C200H. The maximum and minimum execution times and the conditions which cause them are given where relevant. When “word” is referred to in the Conditions column, it implies the content of any word except for indirectly addressed DM words. Indirectly addressed DM words, which create longer execution times when used, are indicated by “\*DM”.

Execution times for most instructions depend on whether they are executed with an ON or an OFF execution condition. Exceptions are the ladder diagram instructions OUT and OUT NOT, which require the same time regardless of the execution condition. The OFF execution time for an instruction can also vary depending on the circumstances, i.e., whether it is in an interlocked program section and the execution condition for IL is OFF, whether it is between JMP(04) 00 and JME(05) 00 and the execution condition for JMP(04) 00 is OFF, or whether it is reset by an OFF execution condition. “R”, “IL”, and “JMP” are used to indicate these three times.

All execution times are given in microseconds unless otherwise noted.

Instruction	Conditions	ON execution time ( $\mu\text{s}$ )	OFF execution time ( $\mu\text{s}$ )
LD	---	0.75	1.5
LD NOT	---	0.75	1.5
AND	---	0.75	1.5
AND NOT	---	0.75	1.5
OR	---	0.75	1.5
OR NOT	---	0.75	1.5
AND LD	---	0.75	1.5
OR LD	---	0.75	1.5
OUT	---	1.13	2.25
OUT NOT	---	1.13	2.25
TIM	Constant for SV	2.25	R: 2.25 IL: 2.25 JMP: 2.25
	*DM for SV		R: 160 IL: 2.25 JMP: 2.25

Instruction	Conditions	ON execution time (μs)	OFF execution time (μs)
CNT	Constant for SV	2.25	R: 2.25 IL: 2.25 JMP: 2.25
	*DM for SV		R: 160 IL: 2.25 JMP: 2.25
NOP(00)	---	0.75	---
END(01)	---	80	---
IL(02)	---	59	35
ILC(03)	---	44	35
JMP(04)	---	69	35
JME(05)	---	47	35
FAL(06) 01 to 99	---	236	2.25
FAL(06) 00	---	182	2.25
FALS(07)	---	4.28 ms	2.25
STEP(08)	---	95	2.25
SNXT(09)	---	34	2.25
SFT(10)	With 1-word shift register	181	R: 191 IL: 30 JMP: 30
	With 250-word shift register	1.44 ms	R: 1.81 ms IL: 30 JMP: 30
KEEP(11)	---	1.13	---
CNTR(12)	Constant for SV	111	R: 85 IL: 49
	*DM for SV	205	JMP: 49
DIFU(13)	---	93	Normal: 93 IL: 93 JMP: 84
DIFD(14)	---	92	Normal: 92 IL: 92 JMP: 84
TIMH(15)	Interrupt Constant for SV	120	R: 199
	Normal cycle	135	IL: 199
	Interrupt *DM for SV	120	JMP: 73
	Normal cycle	135	R: 291 IL: 291 JMP: 73
WSFT(16)	When shifting 1 word	170	3
	When shifting 1,000 words using *DM	8.6 ms	
RWS(17)	When resetting 1 word	388	3.75
	When shifting 999 words using *DM	30.3 ms	

Instruction	Conditions	ON execution time (μs)	OFF execution time (μs)
SCAN(18)	Constant for SV	311	3.75
	*DM for SV	412	
MCMP(19)	Comparing 2 words, result word	636	3.75
	Comparing 2 *DM, result *DM	890	
CMP(20)	When comparing a constant to a word	124	3
	When comparing two *DM	296	
MOV(21)	When transferring a constant to a word	88	3
	When transferring *DM to *DM	259	
MVN(22)	When transferring a constant to a word	91	3
	When transferring *DM to *DM	261	
BIN (23)	When converting a word to a word	174	3
	When converting *DM to *DM	338	
BCD(24)	When converting a word to a word	179	3
	When converting *DM to *DM	337	
ASL(25)	When shifting a word	72	2.25
	When shifting *DM	158	
ASR(26)	When shifting a word	72	2.25
	When shifting *DM	158	
ROL(27)	When rotating a word	77	2.25
	When rotating *DM	162	
ROR(28)	When rotating a word	77	2.25
	When rotating *DM	162	
COM(29)	When inverting a word	67	2.25
	When inverting *DM	152	
ADD(30)	Constant + word b word	153	3.75
	*DM + *DM b *DM	415	
SUB(31)	Constant + word b word	161	3.75
	*DM – *DM b *DM	422	
MUL(32)	Constant x word b word	480	3.75
	*DM x *DM b word	742	
DIV(33)	Word ÷ constant b word	724	3.75
	*DM ÷ *DM b *DM	984	
ANDW(34)	Constant AND word b word	122	3.75
	*DM AND *DM b *DM	371	
ORW(35)	Constant OR word b word	122	3.75
	*DM OR *DM b *DM	371	
XORW(36)	Constant XOR word b word	122	3.75
	*DM XOR *DM b *DM	371	
XNRW(37)	Constant XNOR word b word	124	3.75
	*DM XNOR *DM b *DM	373	
INC(38)	When incrementing a word	82	2.25
	When incrementing *DM	167	

Instruction	Conditions	ON execution time (μs)	OFF execution time (μs)
DEC(39)	When decrementing a word	82	2.25
	When decrementing *DM	167	
STC(40)	---	27	1.5
CLC(41)	---	27	1.5
MSG(46)	---	98	2.25
LMSG(47)	Constant for SV	290	3.75
	*DM for SV	367	
TERM(48)	---	161	3.75
SYS(49)	---	2	3.75
ADB(50)	Constant + word b word	144	3.75
	*DM + *DM b *DM	393	
SBB(51)	Constant – word b word	147	3.75
	*DM – *DM b *DM	396	
MLB(52)	Constant x word b word	205	3.75
	*DM x *DM b *DM	452	
DVB(53)	Word ÷ constant b word	476	3.75
	*DM ÷ *DM b *DM	704	
ADDL(54)	Word + word b word	243	3.75
	*DM + *DM b *DM	491	
SUBL(55)	Word – word b word	255	3.75
	*DM – *DM b *DM	504	
MULL(56)	Word x word b word	1.14 ms	3.75
	*DM x *DM b *DM	1.39 ms	
DIVL(57)	Word ÷ word b word	3.25 ms	3.75
	*DM ÷ *DM b *DM	3.39 ms	
BINL(58)	When converting words to words	350	3
	When converting *DM to *DM	511	
BCDL(59)	When converting words to words	588	3
	When converting *DM to *DM	750	
CMPL(60)	When comparing words to words	380	3.75
	When comparing *DM to *DM	543	
CTW(63)	When transferring from words to a word	670	3.75
	When transferring *DM to *DM	923	
WTC(64)	When transferring from a word to words	807	3.75
	When transferring *DM to *DM	1.07 ms	
HTS(65)	Word to word	859	3.75
	*DM to *DM	1.00 ms	
STH(66)	Word to word	744	3.75
	*DM to *DM	889	
BCNT(67)	When counting 1 word	502	3.75
	When counting 1,000 words using *DM	100 ms	



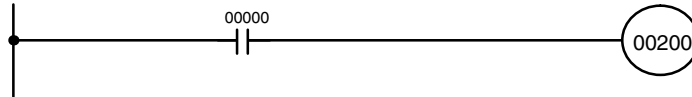
Instruction	Conditions	ON execution time (μs)	OFF execution time (μs)
BCMP(68)	Comparing constant to word-designated table	674	3.75
	Comparing *DM b *DM-designated table	926	
VCAL(69)	Trigonometric functions.	488	3.75
	Linear approximation with a 256 word table	2.71 ms	
XFER(70)	When transferring 1 word	305	3.75
	When transferring 1,000 words using *DM	16 ms	
BSET(71)	When setting a constant to 1 word	209	3.75
	When setting *DM ms to 1,000 words using *DM	4.28 ms	
ROOT(72)	When taking root of word and placing in a word	631	3
	When taking root of 99,999,999 in *DM and placing in *DM	1.16 ms	
XCHG(73)	Between words	156	3
	Between *DM	316	
SLD(74)	When shifting 1 word	193	3
	When shifting 1,000 DM words using *DM	33 ms	
SRD(75)	When shifting 1 word	193	3
	When shifting 1,000 DM words using *DM	33 ms	
MLPX(76)	When decoding word to word	203	3.75
	When decoding *DM to *DM	568	
DMPX(77)	When encoding a word to a word	225	3.75
	When encoding *DM to *DM	551	
SDEC(78)	When decoding a word to a word	235	3.75
	When decoding *DM to *DM	571	
FDIV(79)	Word ÷ word b word (equals 0)	632	3.75
	Word ÷ word b word (doesn't equal 0)	1.77 ms	
	*DM ÷ *DM b *DM	2.1 ms	
DIST(80)	Constant b word + (word)	246	3.75
	*DM b (*DM + (*DM))	481	
COLL(81)	(Word + (word)) b word	262	3.75
	(*DM + (*DM)) b *DM	497	
MOVB (82)	When transferring word to a word	158	3.75
	When transferring *DM to *DM	357	
MOVD(83)	When transferring word to a word	195	3.75
	When transferring *DM to *DM	399	
SFTR(84)	When shifting 1 word	284	3.75
	When shifting 1,000 DM words using *DM	13.8 ms	
TCMP(85)	Comparing constant to words in a designated table	542	3.75
	Comparing *DM b *DM-designated table	830	

<b>Instruction</b>	<b>Conditions</b>	<b>ON execution time (μs)</b>	<b>OFF execution time (μs)</b>
ASC(86)	Word b word	270	3.75
	*DM b *DM	454	
INT(89)	When reading interrupt mask	265	3.75
	When masking and clearing interrupt	265	
SEND(90)	1-word transmit	563	3.75
	1000-word transmit	752	
SBS(91)	---	158	2.25
SBN(92)	---	---	---
RET(93)	---	198	1.5
WDT(94)	---	35	2.25
IORF(97)	1-word refresh	450	3
	30-word refresh	4 ms	
RECV(98)	1-word refresh	559	3.75
	1000-word refresh	764	

## 6-4 I/O Response Time

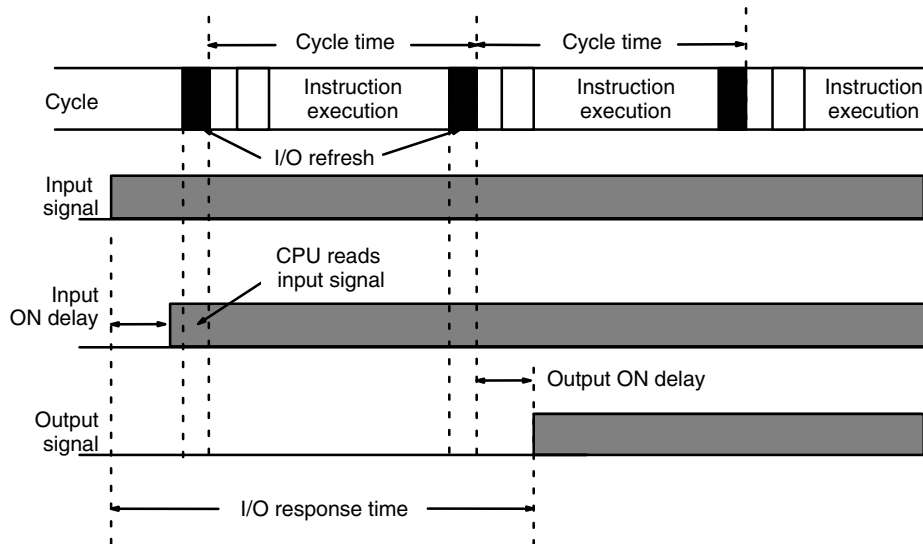
The I/O response time is the time it takes for the PC to output a control signal after it has received an input signal. The time it takes to respond depends on the cycle time and when the CPU receives the input signal relative to the input refresh period. The I/O response times for a PC not in a Link System are discussed below. For response times for PCs with Link Systems, refer to the relevant *System Manual*.

The minimum and maximum I/O response time calculations described below are for where 00000 is the input bit that receives the signal and 00200 is the output bit corresponding to the desired output point.



### Minimum I/O Response Time

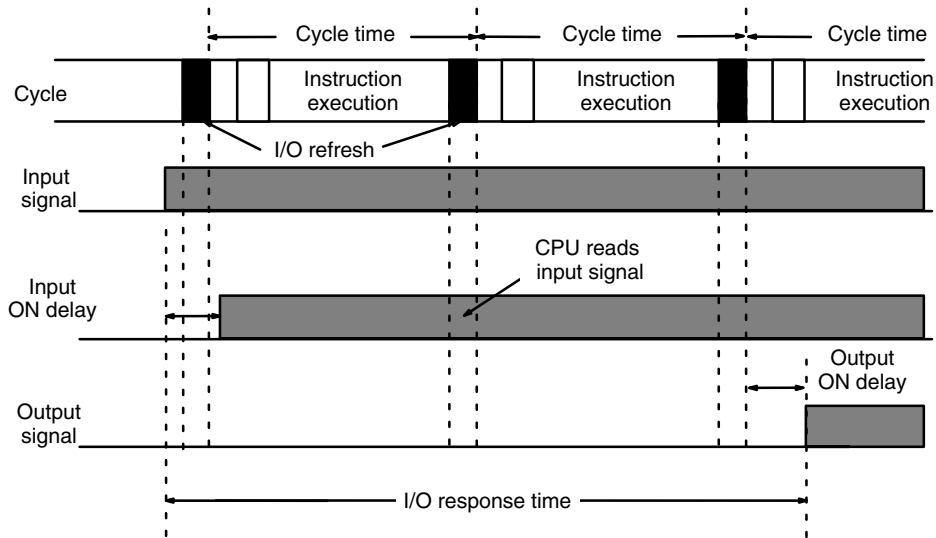
The PC responds most quickly when it receives an input signal just prior to the I/O refresh period in the cycle. Once the input bit corresponding to the signal has been turned ON, the program will have to be executed once to turn ON the output bit for the desired output signal and then the I/O refresh operation would have to be repeated to refresh the output bit. The I/O response time in this case is thus found by adding the input ON-delay time, the cycle time, and the output ON-delay time. This situation is illustrated below.



$$\text{Minimum I/O response time} = \text{input ON delay} + \text{cycle time} + \text{I/O refresh time} + \text{output ON delay}$$

**Maximum I/O Response Time**

The PC takes longest to respond when it receives the input signal just after the I/O refresh phase of the cycle. In this case the CPU does not recognize the input signal until the end of the next cycle. The maximum response time is thus one cycle longer than the minimum I/O response time, except that the I/O refresh time would not need to be added in because the input comes just after it rather than before it.



Maximum I/O response time = input ON delay + (cycle time x 2) + output ON delay

**Calculation Example**

The data in the following table would produce the minimum and maximum cycle times shown calculated below.

Input ON-delay	1.5 ms
Output ON-delay	15 ms
Cycle time	20 ms

Minimum I/O response time = 1.5 + 20 + 15 = 36.5 ms

Maximum I/O response time = 1.5 + (20 x 2) + 15 = 56.5 ms



# SECTION 7

## Program Monitoring and Execution

This section provides the procedures for monitoring and controlling the PC through a Programming Console. If you are using a GPC, a FIT, or a computer running LSS, refer to the *Operation Manual* for procedures on these.

7-1	Monitoring Operation and Modifying Data .....	238
7-1-1	Bit/Digit Monitor .....	238
7-1-2	Forced Set/Reset .....	241
7-1-3	Forced Set/Reset Cancel .....	243
7-1-4	Hexadecimal/BCD Data Modification .....	244
7-1-5	Hex/ASCII Display Change .....	245
7-1-6	3-word Monitor .....	246
7-1-7	3-word Data Modification .....	247
7-1-8	Binary Monitor .....	248
7-1-9	Binary Data Modification .....	249
7-1-10	Changing Timer/Counter SV .....	251
7-2	Program Backup and Restore Operations .....	254
7-2-1	Saving Program Memory Data .....	254
7-2-2	Restoring or Comparing Program Memory Data .....	256
7-2-3	Saving, Restoring, and Comparing DM Data .....	258

## 7-1 Monitoring Operation and Modifying Data

The simplest form of operation monitoring is to display the address whose operand bit status is to be monitored using the Program Read or one of the search operations. As long as the operation is performed in RUN or MONITOR mode, the status of any bit displayed will be indicated.

This section provides other procedures for monitoring data as well as procedures for modifying data that already exists in a data area. Data that can be modified includes the PV (present value) and SV (set value) for any timer or counter.

All monitor operations in this section can be performed in RUN, MONITOR, or PROGRAM mode and can be cancelled by pressing CLR.

All data modification operations except for timer/counter SV changes are performed after first performing one of the monitor operations. Data modification is possible in either MONITOR or PROGRAM mode, but cannot be performed in RUN mode.

### 7-1-1 Bit/Digit Monitor

The status of any bit or word in any data area can be monitored using the following operation. Although the operation is possible in any mode, ON/OFF status displays will be provided for bits in MONITOR or RUN mode only.

The Bit/Digit Monitor operation can be entered either from a cleared display by designating the first bit or word to be monitored or it can be entered from any address in the program by displaying the bit or word address whose status is to be monitored and pressing MONTR.

When a bit is monitored, its ON/OFF status will be displayed (in MONITOR or RUN mode); when a word address is designated other than a timer or counter, the digit contents of the word will be displayed; and when a timer or counter number is designated, the PV of the timer will be displayed and a small box will appear if the completion flag of a timer or counter is ON. When multiple words are monitored, a caret will appear under the leftmost digit of the address designation to help distinguish between different addresses. The status of TR bits and SR flags (e.g., the arithmetic flags), cleared when END(01) is executed, cannot be monitored.

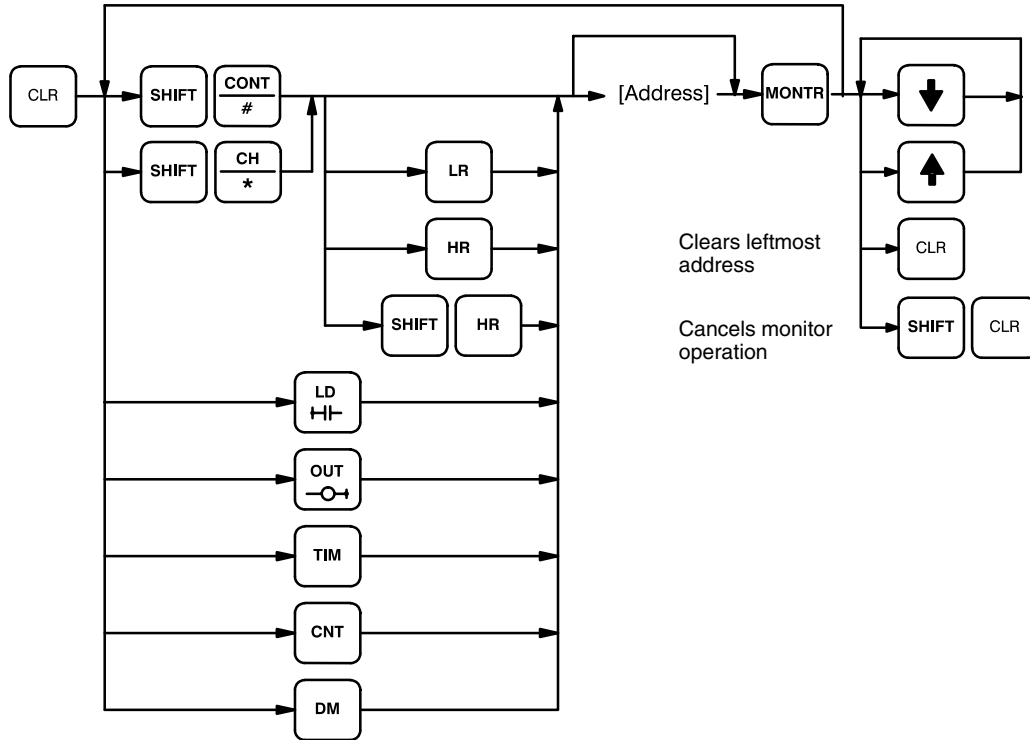
Up to six memory addresses, either bits, words, or a combination of both, can be monitored at once, although only three of these are displayed at any one time. To monitor more than one address, return to the start of the procedure and continue designating addresses. Monitoring of all designated addresses will be maintained unless more than six addresses are designated. If more than six addresses are designated, the leftmost address of those being monitored will be cancelled.

To display addresses that are being monitored but are not presently on the Programming Console display, press MONTR without designating another address. The addresses being monitored will be shifted to the right. As MONTR is pressed, the addresses being monitored will continue shifting to the right until the rightmost address is shifted back onto the display from the left.

During a monitor operation the up and down keys can be pressed to increment and decrement the leftmost address on the display and CLR can be pressed to cancel monitoring the leftmost address on the display. If the last address is cancelled, the monitor operation will be cancelled. The monitor operation can also be cancelled regardless of the number of addresses being monitored by pressing SHIFT and then CLR.

LD and OUT can be used only to designate the first address to be displayed; they cannot be used when an address is already being monitored.

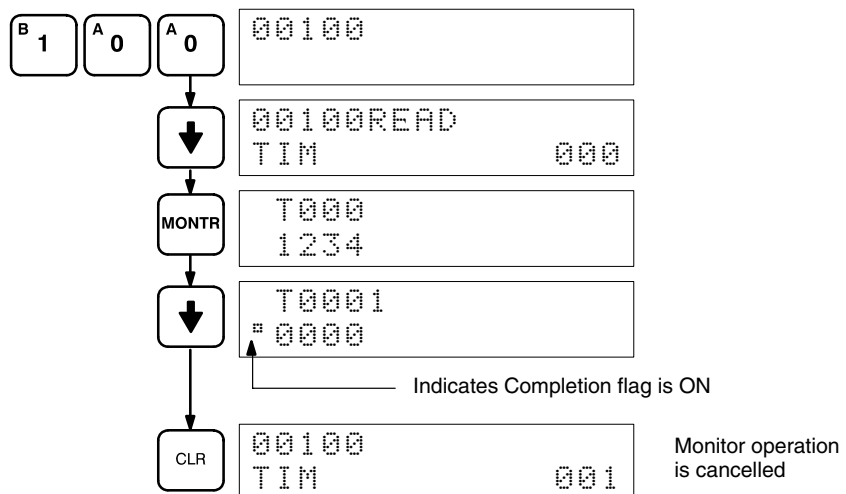
**Key Sequence**



**Examples**

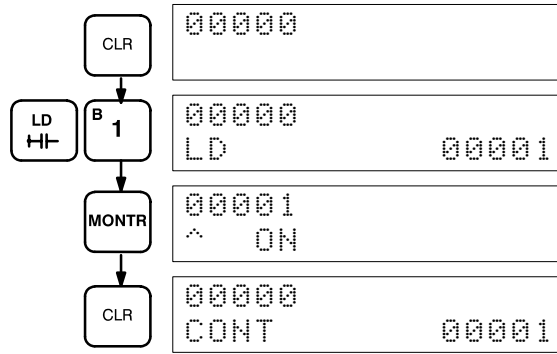
The following examples show various applications of this monitor operation.

**Program Read then Monitor**

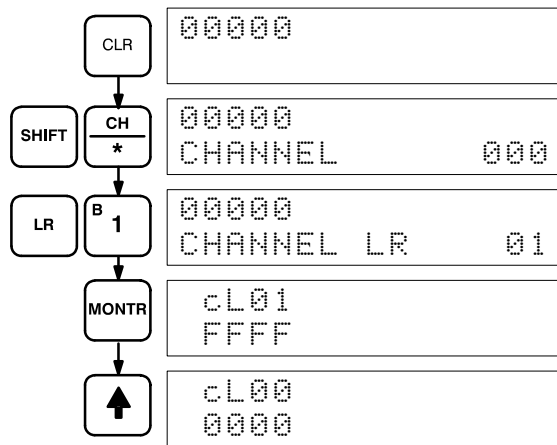




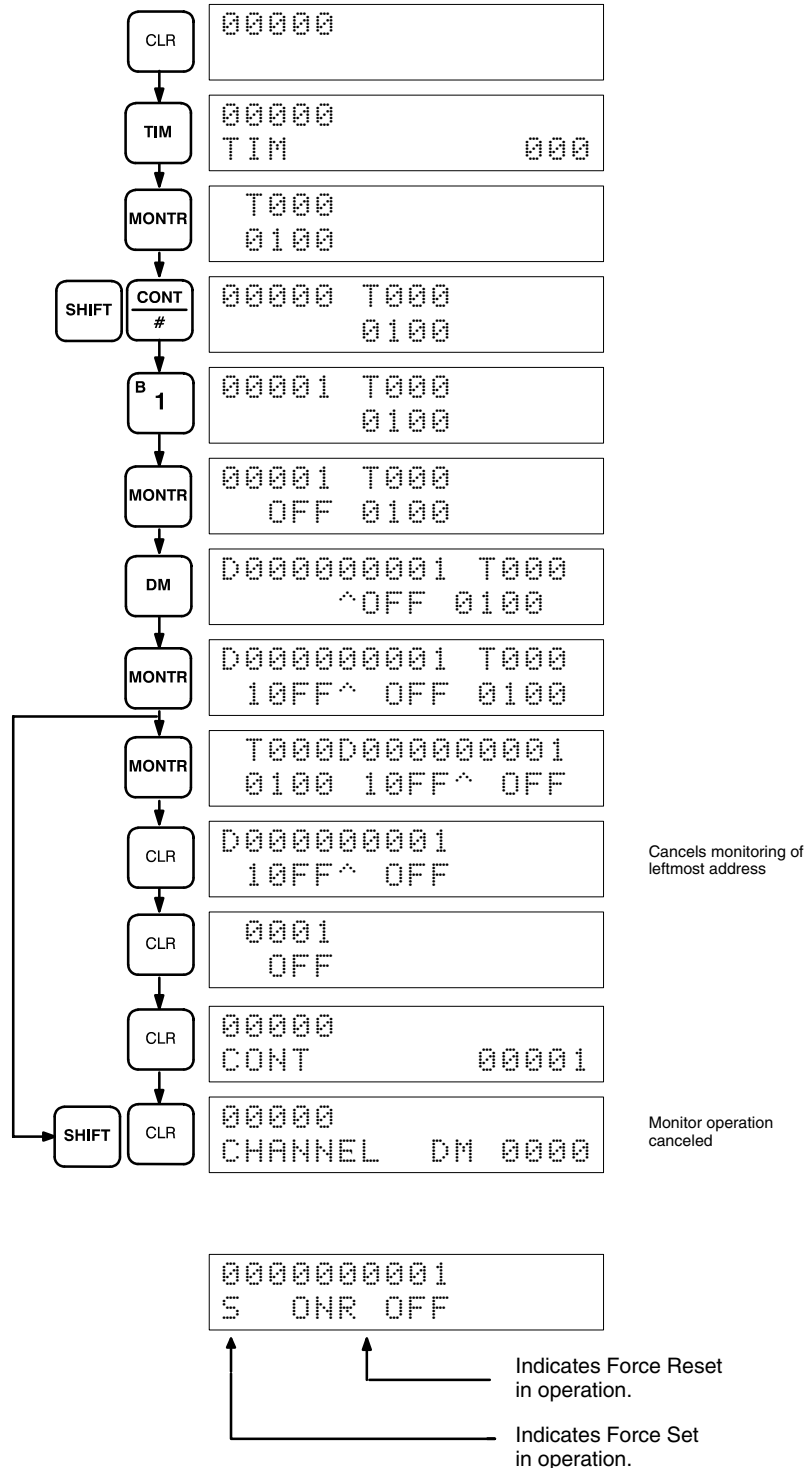
Bit Monitor



Word Monitor



Multiple Address Monitoring



7-1-2 Forced Set/Reset

When the Bit/Digit Monitor operation is being performed and a bit, timer, or counter address is leftmost on the display, PLAY/SET can be pressed to turn ON the bit, start the timer, or increment the counter and REC/RESET can be pressed to turn OFF the bit or reset the timer or counter. Timers will not operate in PROGRAM mode. SR bits cannot be turned ON and OFF with this operation.

Bit status will remain ON or OFF only as long as the key is held down; the original status will return as soon as the key is released. If a timer is started, the completion flag for it will be turned ON when SV has been reached.

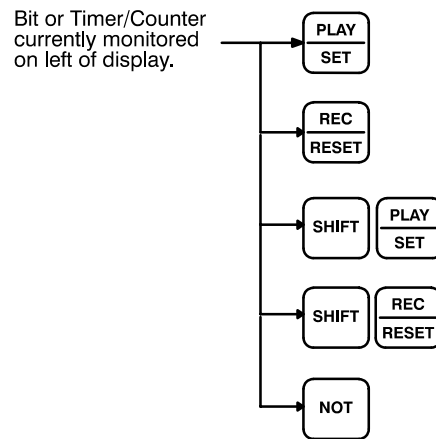
SHIFT and PLAY/SET or SHIFT and REC/RESET can be pressed to maintain the status of the bit after the key is released. The bit will not return to its original status until the NOT key is pressed, or one of the following conditions is met.

1. The Force Status Clear operation is performed.
2. The PC mode is changed.
3. Operation stops due to a fatal error or power interruption.
4. The I/O Table Registration operation is performed.

**Note** With the CPU11-E, the bit status will be maintained when switching from PROGRAM to MONITOR mode if the Force Status Hold Flag is ON and has been enabled with the Set System operation (SYS(49)).

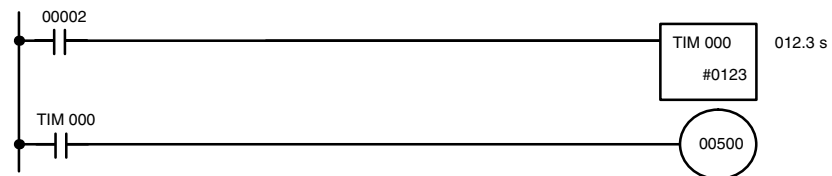
This operation can be used in MONITOR mode to check wiring of outputs from the PC prior to actual program execution. This operation cannot be used in RUN mode.

**Key Sequence**



**Example**

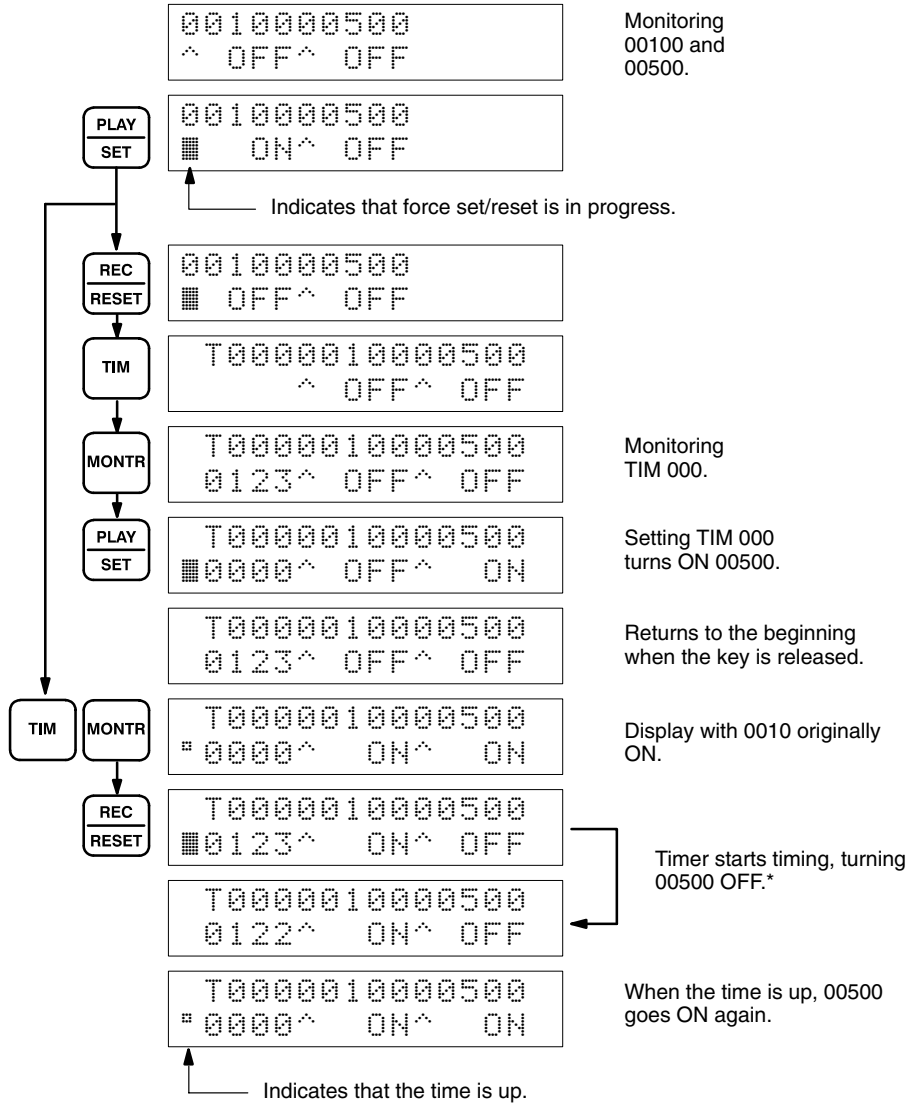
The following example shows how either bits or timers can be controlled with the Force Set/Reset operation. The displays shown below are for the following program section.



Address	Instruction	Data
00200	LD	00002
00201	TIM	000
		# 0123
00202	LD	TIM 000
00205	OUT	00500

The following displays show what happens when TIM 000 is set with 00100 OFF (i.e., 00500 is turned ON) and what happens when TIM 000 is reset with 00100 ON (i.e., timer starts operation, turning OFF 00500, which is turned back ON when the timer has finished counting down the SV).

(This example is performed in MONITOR mode.)

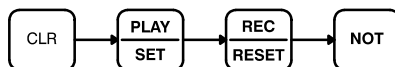


\*Timing not done in PROGRAM mode.

### 7-1-3 Forced Set/Reset Cancel

This operation restores the status of all bits in the I/O, IR, TIM, CNT, HR, AR, or LR areas which have been force set or reset. It can be performed in PROGRAM or MONITOR mode.

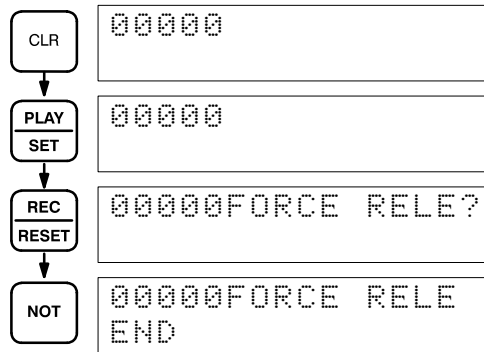
#### Key Sequence



When the PLAY/SET and REC/RESET keys are pressed, a beeper will sound. If you mistakenly press the wrong key, then press CLR and start again from the beginning.

**Example**

The following example shows the displays that appear when Restore Status is carried out normally.



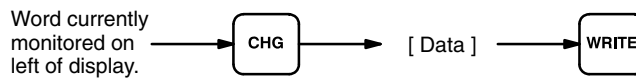
### 7-1-4 Hexadecimal/BCD Data Modification

When the Bit/Digit Monitor operation is being performed and a BCD or hexadecimal value is leftmost on the display, CHG can be input to change the value. SR words cannot be changed.

If a timer or counter is leftmost on the display, the PV will be displayed and will be the value changed. See 7-1-10 *Changing Timer/Counter SV* for the procedure to change SV. PV can be changed in MONITOR mode only when the timer or counter is operating.

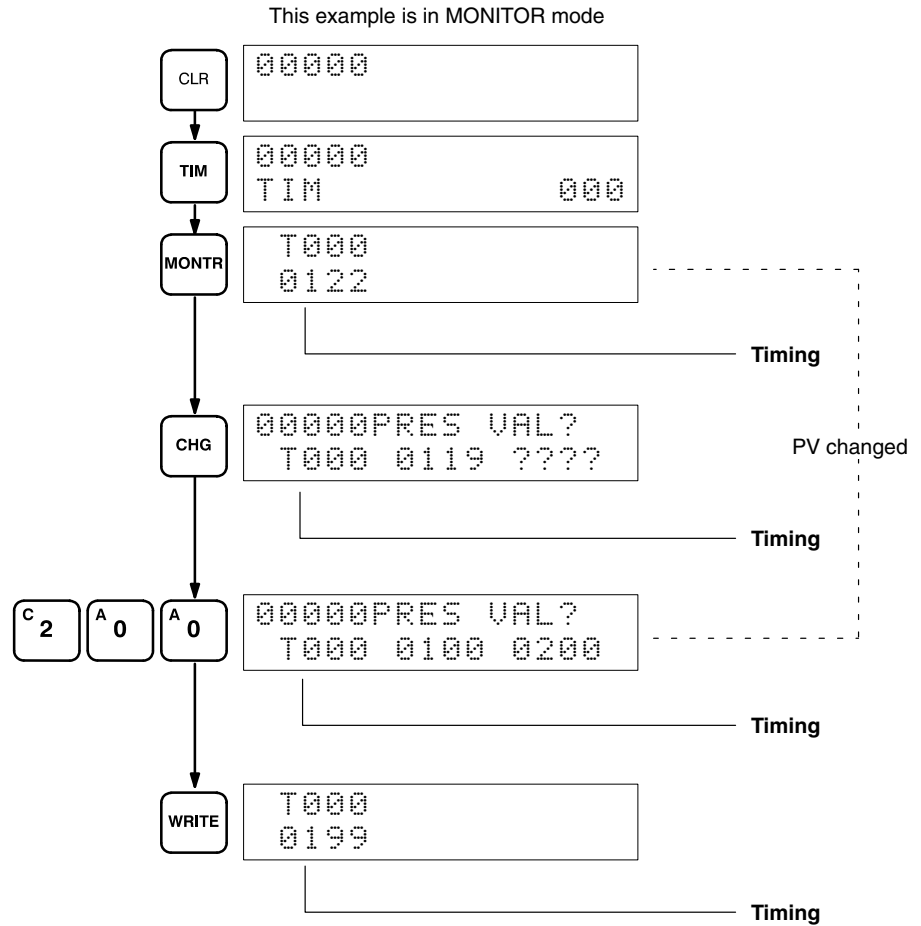
To change contents of the leftmost word address, press CHG, input the desired value, and press WRITE

**Key Sequence**



**Example**

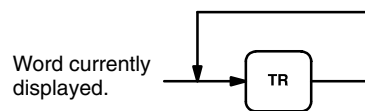
The following example shows the effects of changing the PV of a timer.



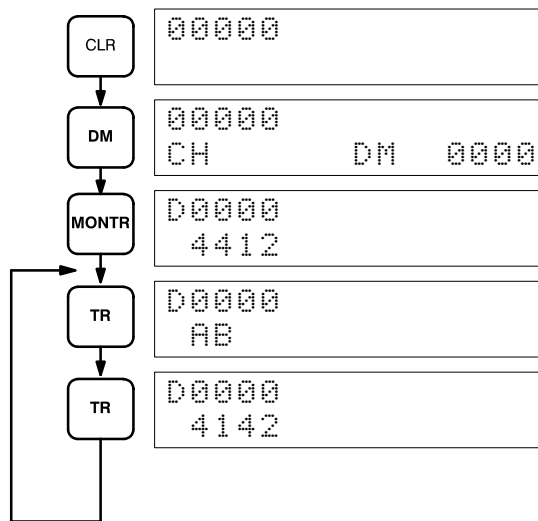
**7-1-5 Hex/ASCII Display Change**

This operation converts DM data displays from 4-digit hexadecimal data to ASCII and vice versa.

**Key Sequence**



**Example**

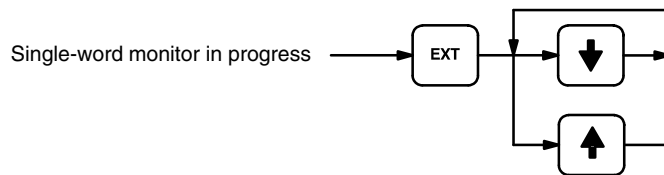


**7-1-6 3-word Monitor**

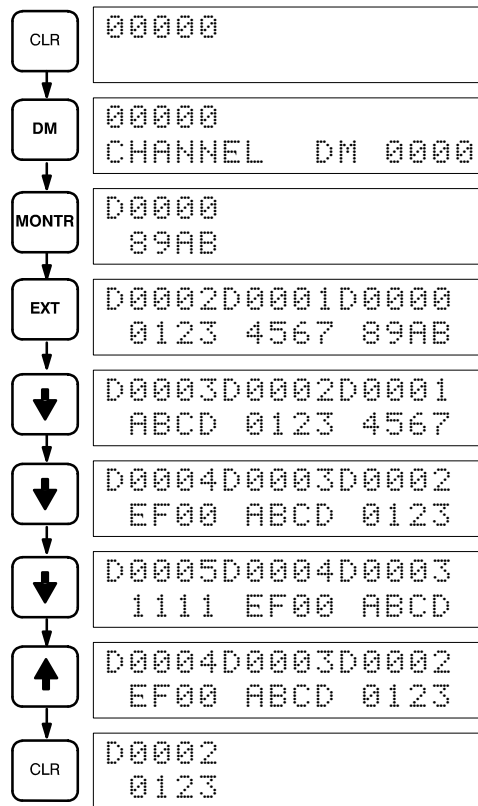
To monitor three consecutive words together, specify the lowest numbered word, press MONTR, and then press EXT to display the data contents of the specified word and the two words that follow it.

A CLR entry changes the Three-word Monitor operation to a single-word display.

**Key Sequence**



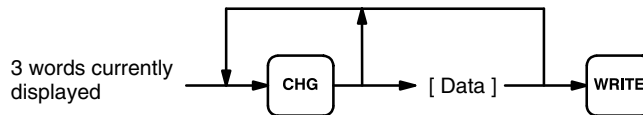
Example



### 7-1-7 3-word Data Modification

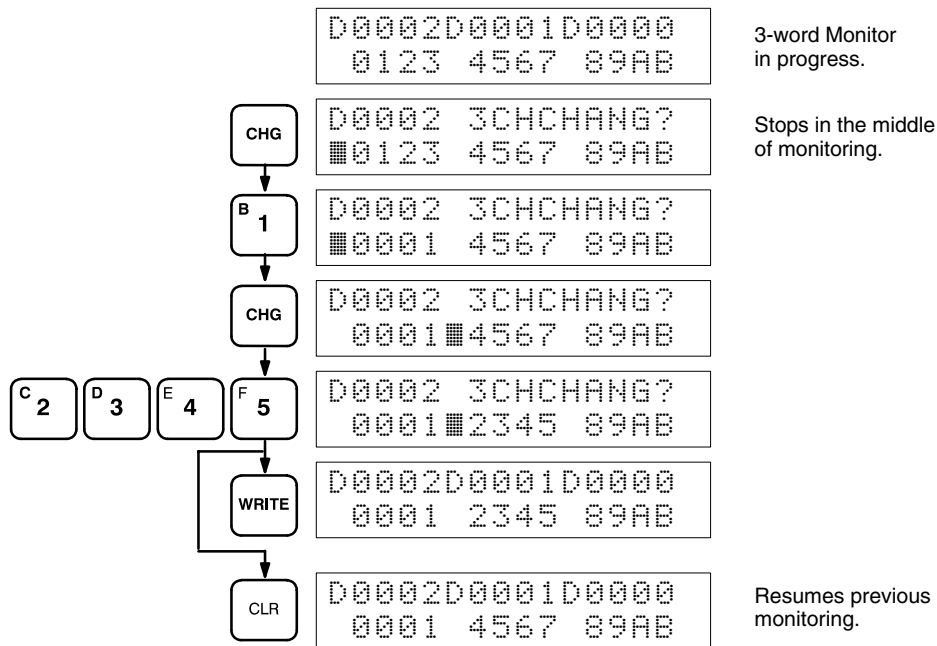
This operation changes the contents of a word during the 3-Word Monitor operation. The blinking square indicates where the data can be changed. After the new data value is keyed in, pressing WRITE causes the original data to be overwritten with the new data. If CLR is pressed before WRITE, the change operation will be cancelled and the previous 3-word Monitor operation will resume.

Key Sequence





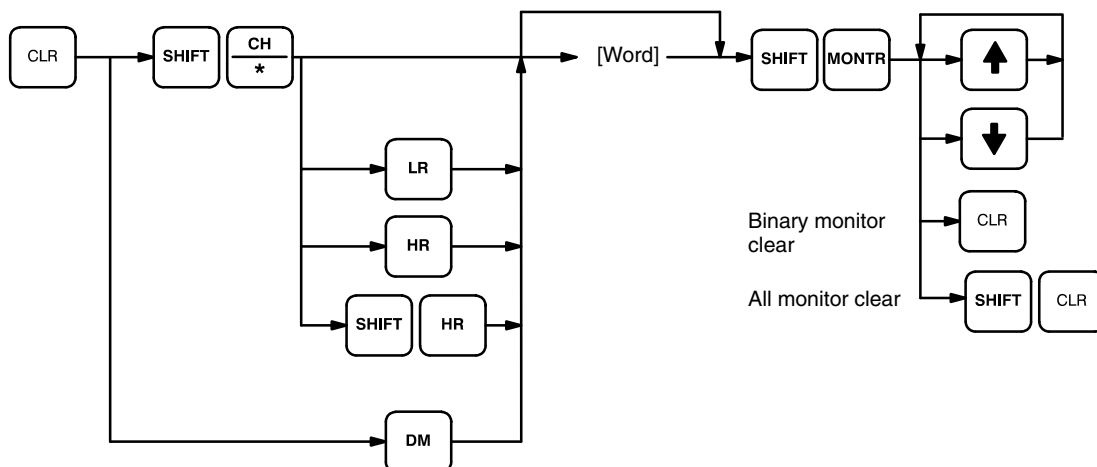
Example



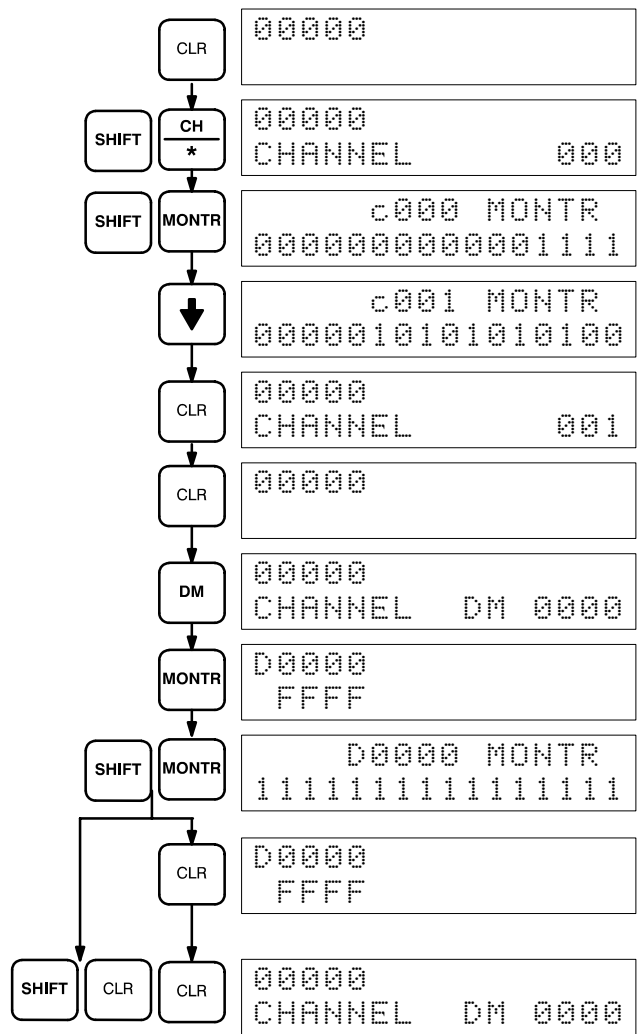
### 7-1-8 Binary Monitor

You can specify that the contents of a monitored word be displayed in binary by pressing SHIFT and MONTR after the word address has been input. Words can be successively monitored by using the up and down keys to increment and decrement the displayed word address. To clear the binary display, press CLR.

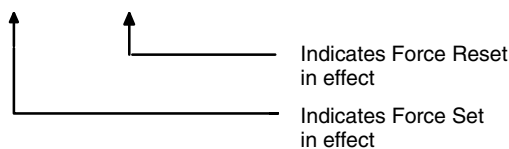
Key Sequence



Example



000050100R0110SR

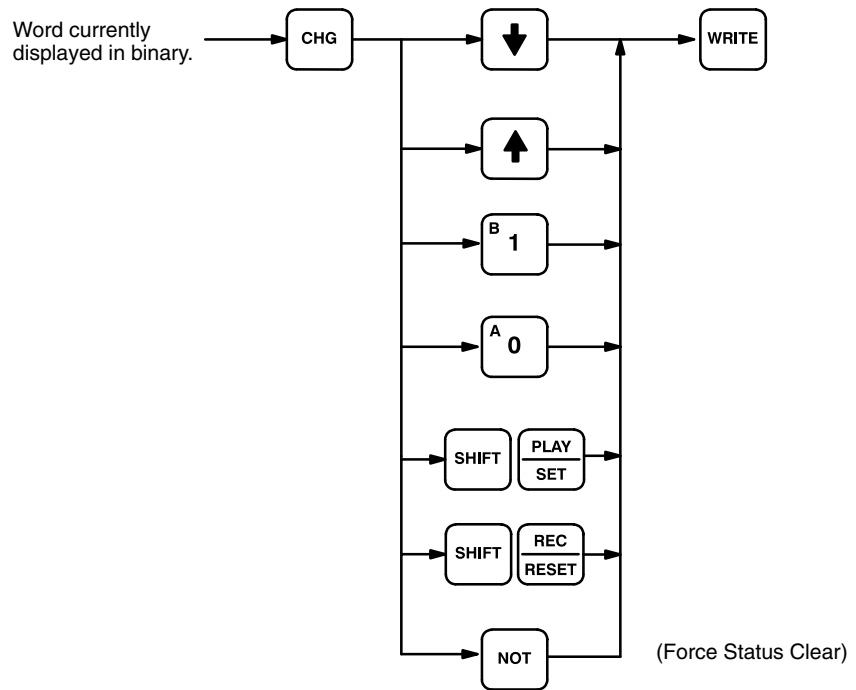


### 7-1-9 Binary Data Modification

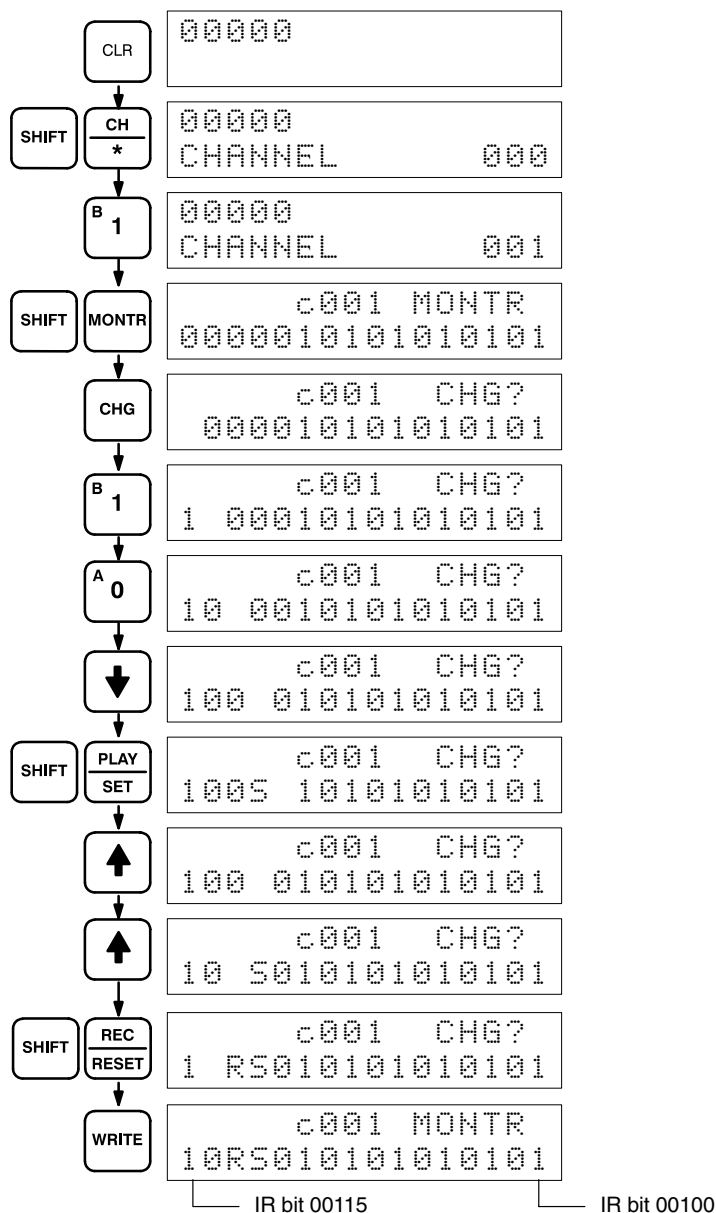
This operation assigns a new 16-digit binary value to an IR, HR, AR, LR, or DM word.

The cursor, which can be shifted to the left with the up key and to the right with the down key, indicates the position of the bit that can be changed. After positioning to the desired bit, a 0 or a 1 can then be entered as the new bit value. The bit can also be Force Set or Force Reset by pressing SHIFT and either PLAY/SET or REC/RESET. An S or R will then appear at that bit position. Pressing the NOT key will clear the force status, S will change to 1, and R to 0. After a bit value has been changed, the blinking square will appear at the next position to the right of the changed bit.

Key Sequence



Example



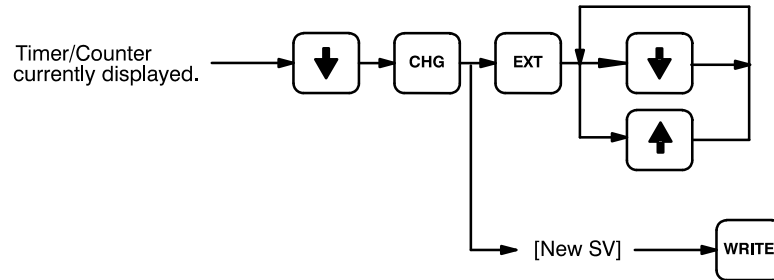
### 7-1-10 Changing Timer/Counter SV

There are two ways to change the SV of a timer or counter. It can be done either by inputting a new value; or by incrementing or decrementing the current SV. Either method can be used only in MONITOR or PROGRAM mode. In MONITOR mode, the SV can be changed while the program is being executed. Incrementing and decrementing the SV is possible only when the SV has been entered as a constant.

To use either method, first display the address of the timer or counter whose SV is to be changed, presses the down key, and then press CHG. The new value can then be input numerically and WRITE pressed to change the SV or EXT can be pressed followed by the up and down keys to increment and decrement the current SV. When the SV is incremented and/or decremented, CLR can be pressed once to change the SV to the incremented or decremented value but remaining in the display that appeared when EXT was pressed or CLR can be pressed twice to return to the original display with the new SV.

This operation can be used to change a SV from designation as a constant to a word address designation and visa verse.

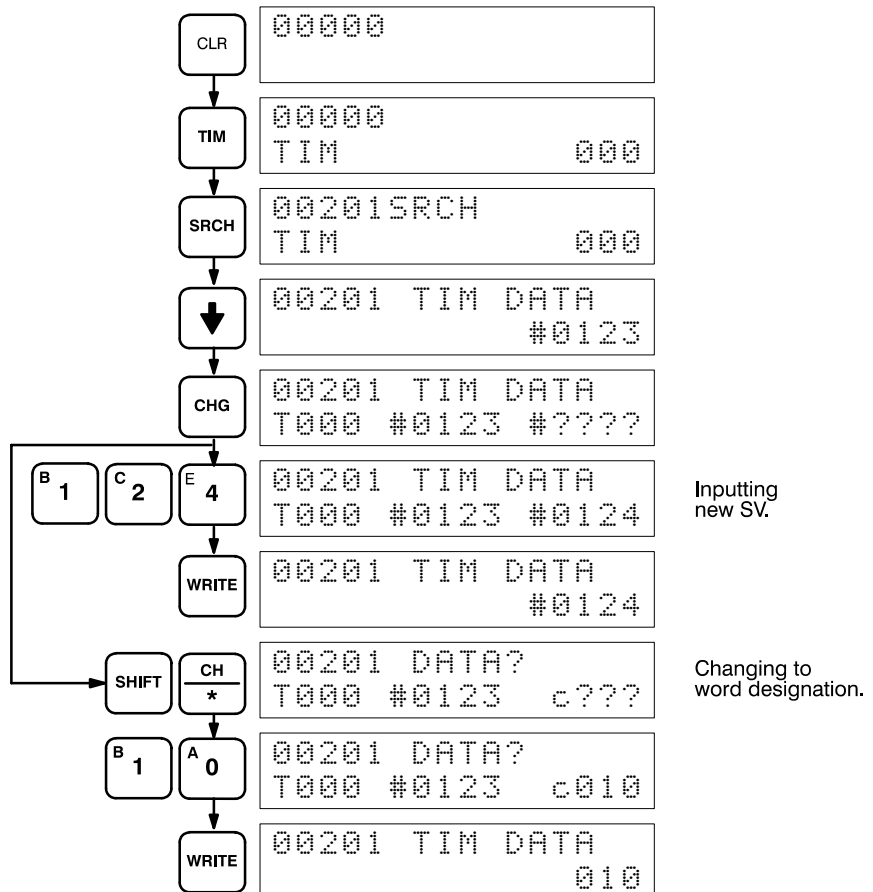
**Key Sequence**



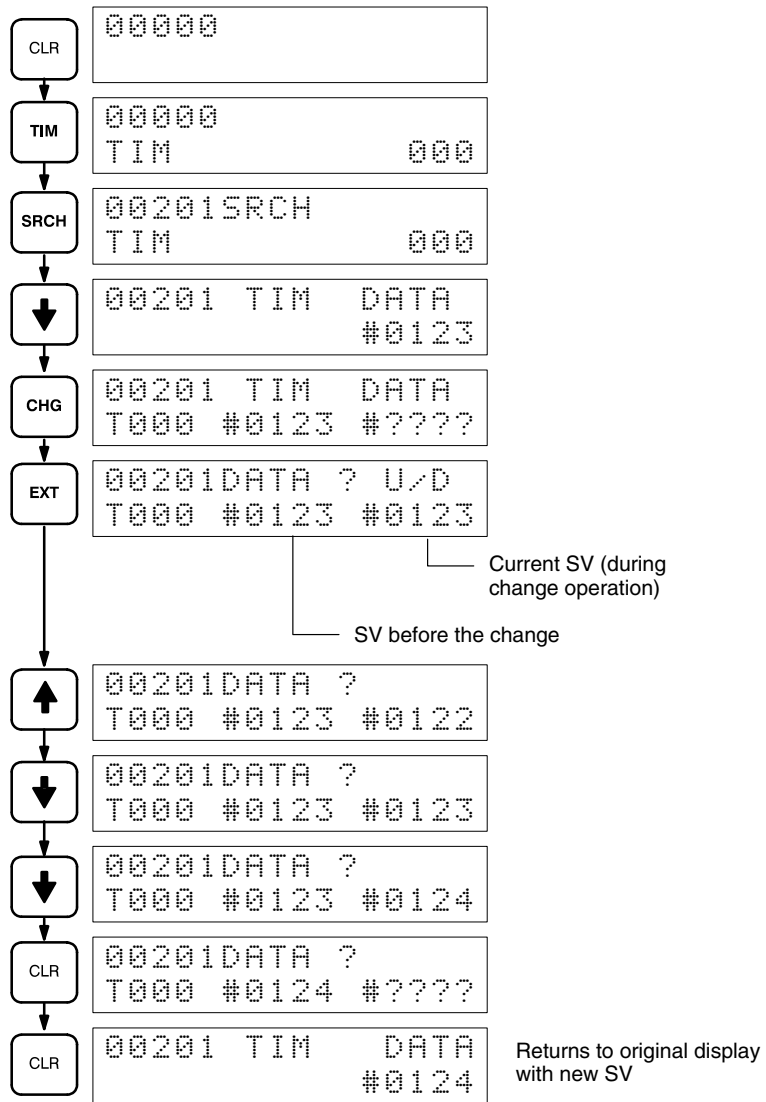
**Example**

The following examples show inputting a new constant, changing from a constant to an address, and incrementing to a new constant.

**Inputting New SV and Changing to Word Designation**



Incrementing and Decrementing



## 7-2 Program Backup and Restore Operations

Both Program Memory (UM) and DM area data can be backed-up on a standard, commercially available cassette tape recorder. Any dependable magnetic cassette tape of adequate length will suffice. To save a 8K-word program, the tape must be about 15 minutes long (about 2 min. per K word of data). Always allow for about 5 seconds of blank leader tape before the taped data begins. Store only one program or section of DM area on a single side of a tape; there is no way to identify separate programs or DM areas stored on the same side of the tape.

**Note** UM and DM can be recorded together in a single cassette if the file number of the UM is different from that of the DM and also if the capacity of the cassette permits.

Be sure to clearly label all cassette tapes.

Use patch cords to connect the cassette recorder earphone (or LINE-OUT) jack to the Programming Console EAR jack and the cassette recorder microphone (or LINE-IN) jack to the Programming Console MIC jack. Set the cassette recorder volume and frequency equalizer controls to maximum levels.

The PC must be in PROGRAM mode for all cassette tape operations.

While the operation is in progress, the cursor will blink and the block count will be incremented on the display.

Cassette tape operations may be halted at any time by pressing CLR.

### Error Messages

The following error messages may appear during cassette tape operations.

Message	Meaning and appropriate response
0000 ERR ***** FILE NO. *****	File number on cassette and designated file number are not the same. Repeat the operation using the correct file number.
***** MT VER ERR	Cassette tape contents differs from that in the PC. Check content of tape and/or the PC.
***** MT ERR	Cassette tape is faulty. Replace it with another.

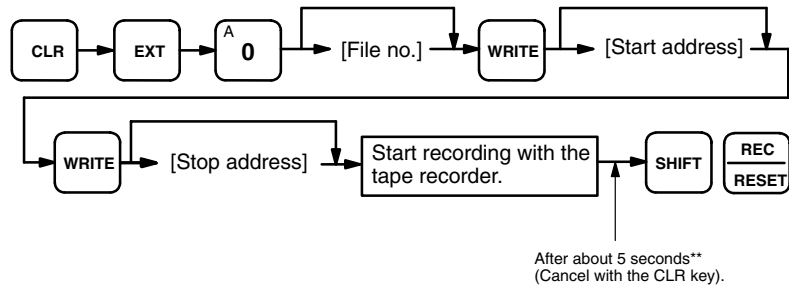
### 7-2-1 Saving Program Memory Data

This operation is used to copy the content of Program Memory to a cassette tape. The procedure is as follows:

- 1, 2, 3... 1. Press EXT and the 0 key to specify Program Memory.
2. Input a file number for the data that is to be saved.
3. Specify the start and stop addresses of the section of Program Memory that is to be recorded. When the start address is designated, the default stop address will indicate the last address of the Program Memory. Determine the address of END (01) and designate this address as the stop address. Do not designate a stop address greater than this one.
4. Start cassette tape recording. Use only reliable, high quality data use tapes.
5. Within 5 seconds, press SHIFT and REC/RESET.

Program saving continues until END(01) or the stop address is reached. At that time the program size in Kwords is displayed. If the END(01) is reached before the stop address, the recording operation will continue, however, through the designated stop address unless CLR is pressed to cancel.

Key Sequence

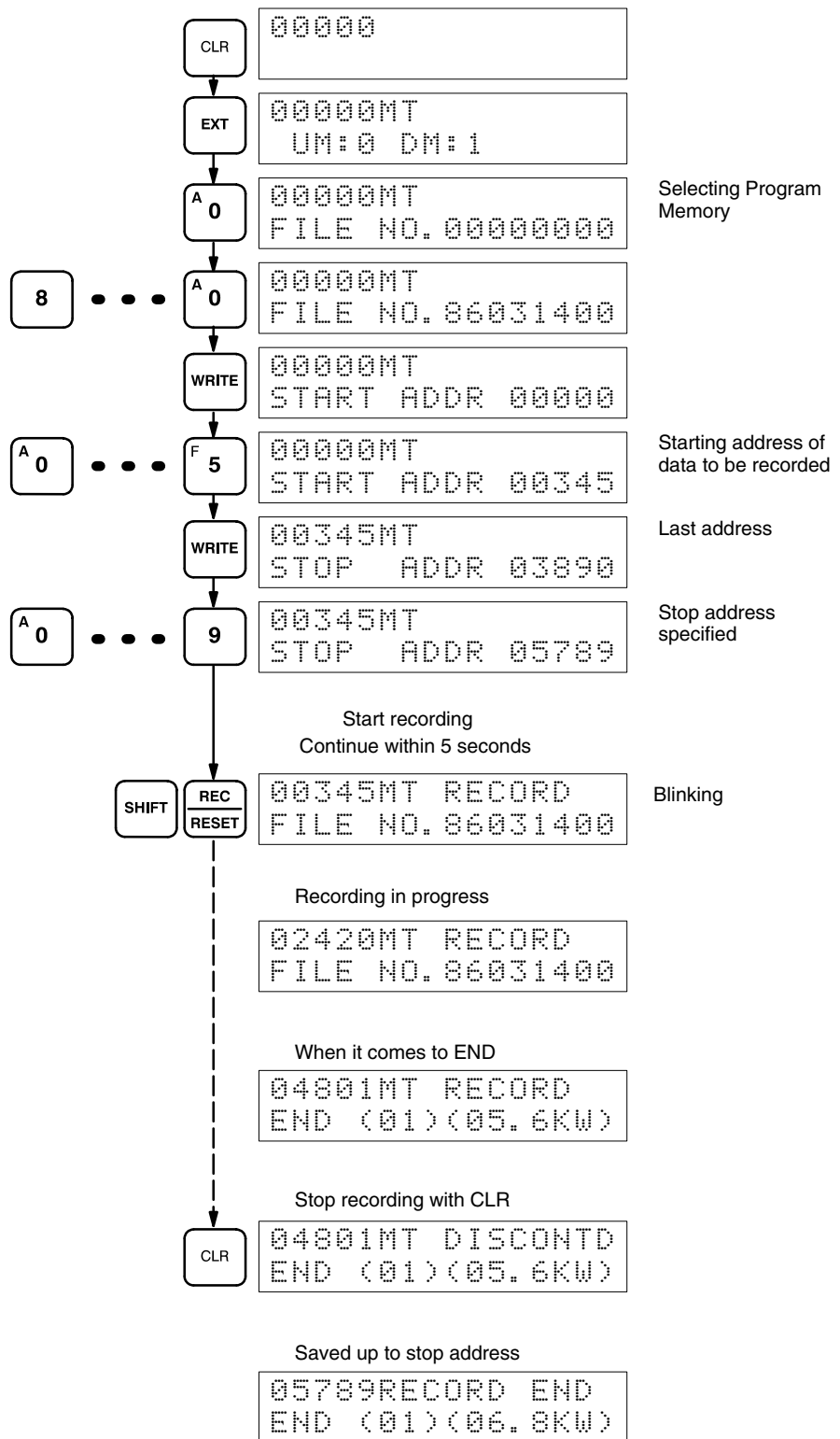


\*\*These times take the cassette leader tape into consideration according to the following:

- a) When recording to tape, the leader tape needs to be allowed to pass before the data transmission to the tape player starts.
- b) When restoring from tape or comparing data, the Programming Console needs to be ready to receive data before the data is transferred from the tape.



Example



### 7-2-2 Restoring or Comparing Program Memory Data

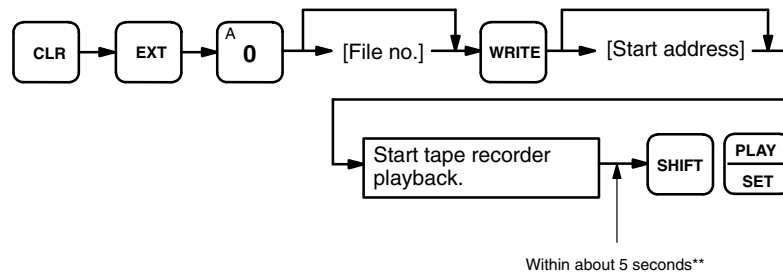
This operation is used to restore Program Memory data from a cassette tape or to compare Program Memory data with the contents on a cassette tape. The procedure is as follows:

- 1, 2, 3... 1. Press EXT and the 0 key to specify Program Memory.
2. Specify the number of the file to be restored or compared.

3. Specify the start address for the data that is to be restored or compared.
4. Start playing the cassette tape.
5. Within 5 seconds, press SHIFT and PLAY/SET to restore data or VER to compare data.

Program restoration or comparison continues until END(01) is reached or until the tape is finished, at which time the program size in Kwords is displayed. At that time the program size in Kwords is displayed. Even if END(01) is reached before the end of the tape, the restoring or comparison operation will continue through the end of the tape unless CLR is pressed to cancel.

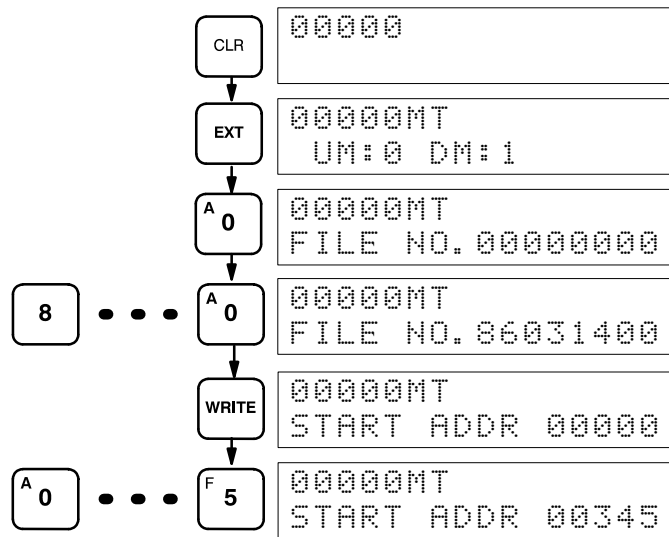
**Key Sequence**



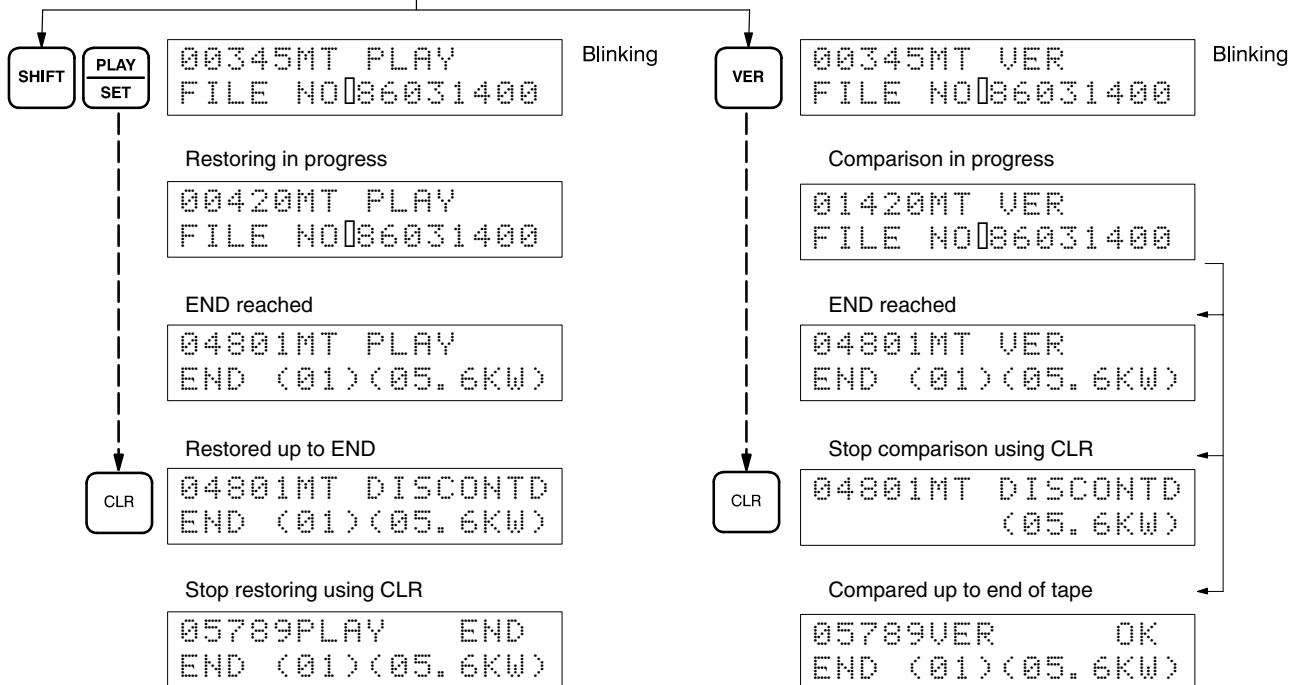
\*\*These times take the cassette leader tape into consideration according to the following:

- a) When recording to tape, the leader tape needs to be allowed to pass before the data transmission to the tape player starts.
- b) When restoring from tape or comparing data, the Programming Console needs to be ready to receive data before the data is transferred from the tape.

Example



Start the tape recorder playback.  
Continue within 5 seconds.

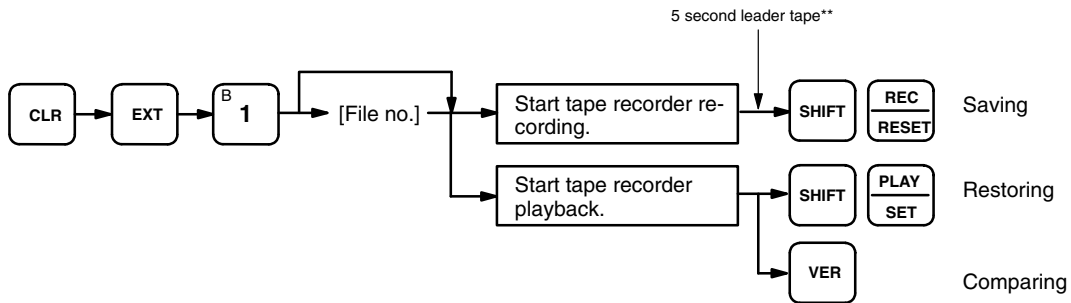


### 7-2-3 Saving, Restoring, and Comparing DM Data

The procedures for saving, restoring and comparing DM area data are identical to those for Program Memory except that the DM area is specified and start and stop addresses are not required. Cassette tape operations for DM area data will be continued to the end of the DM area or the end of the cassette tape unless CLR is pressed to cancel. Refer to the relevant operation in

the preceding sections for details. An example for each operation is given below.

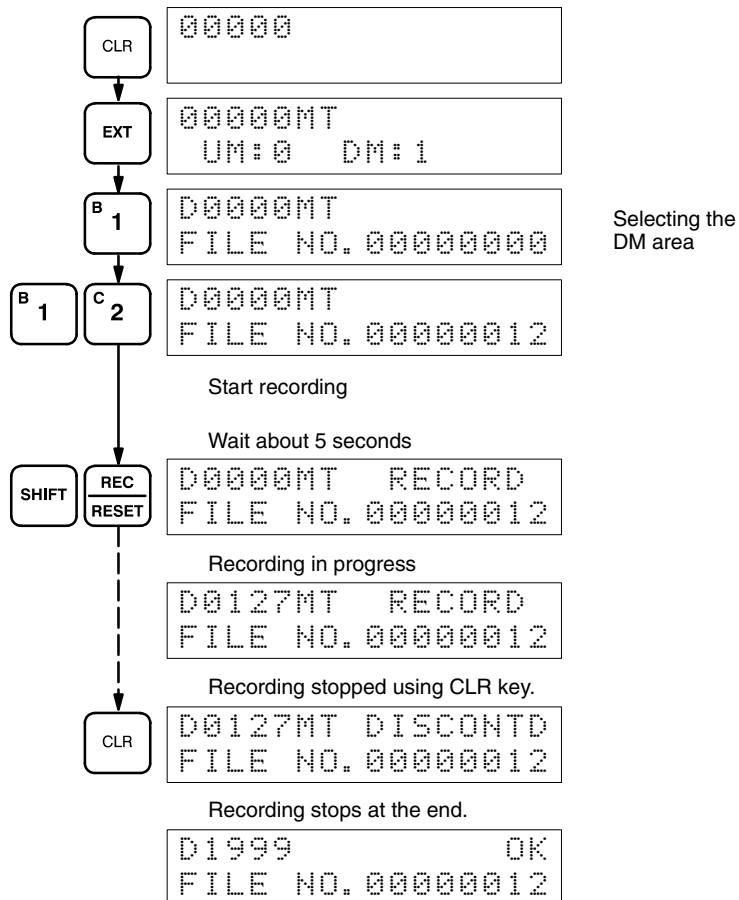
**Key Sequence**



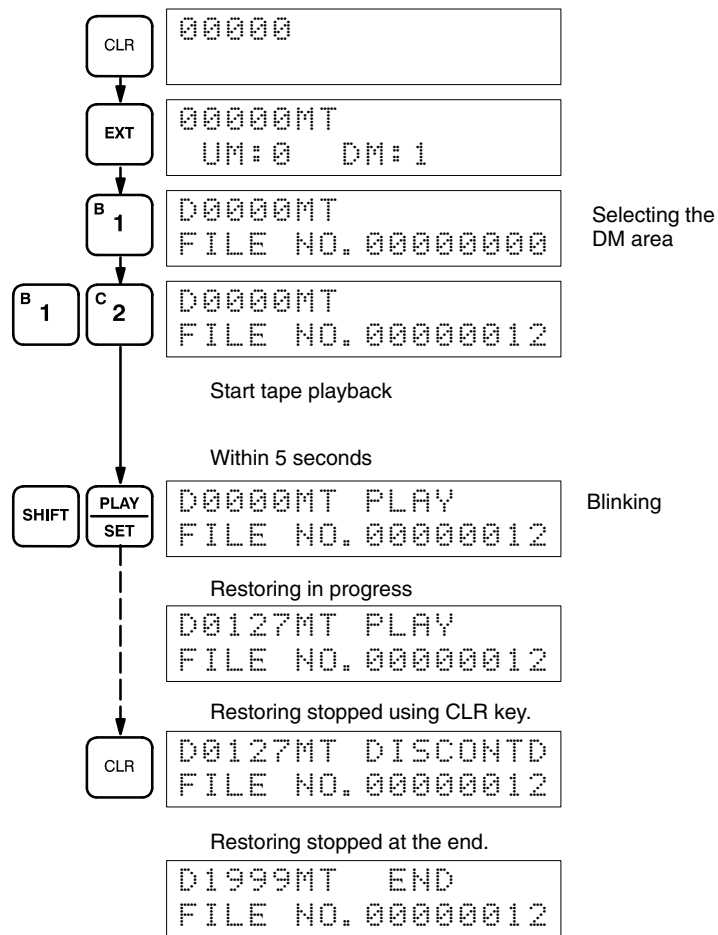
\*\*These times take the cassette leader tape into consideration according to the following:

- a) When recording to tape, the leader tape needs to be allowed to pass before the data transmission to the tape player starts.
- b) When restoring from tape or comparing data, the Programming Console needs to be ready to receive data before the data is transferred from the tape.

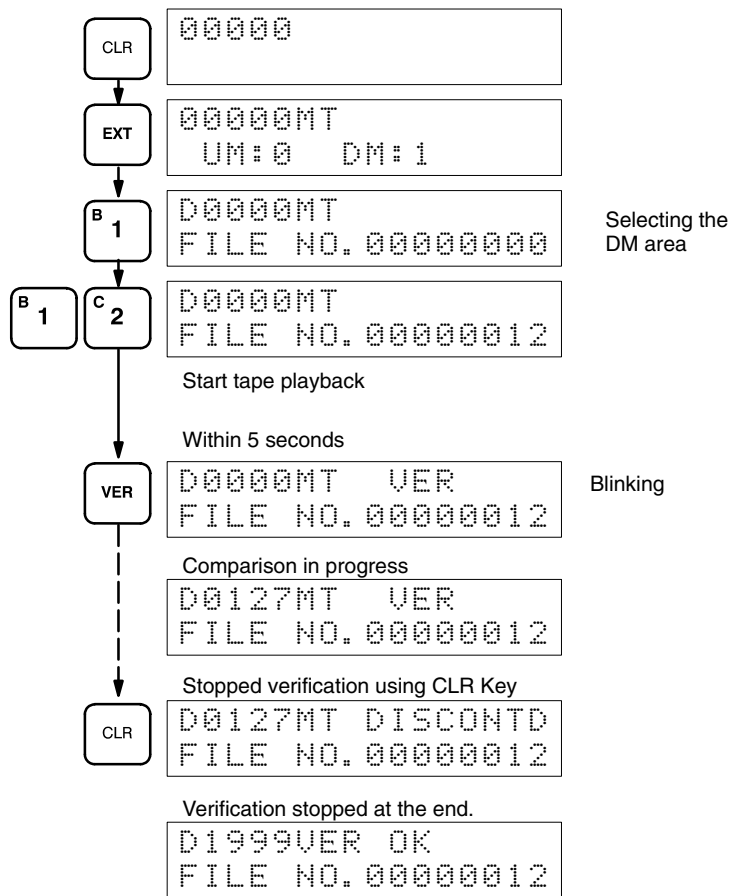
**Example: Saving DM Data**



Example: Restoring DM Data



Example: Comparing DM Data





# SECTION 8

## Troubleshooting

The C200H provides self-diagnostic functions to identify many types of abnormal system conditions. These functions minimize downtime and enable quick, smooth error correction.

This section provides information on hardware and software errors that occur during PC operation. Program input errors are described in *4-6 Inputting, Modifying, and Checking the Program*. Although described in *Section 3 Memory Areas*, flags and other error information provided in SR and AR areas are listed in *8-5 Error Flags*.

8-1	Alarm Indicators . . . . .	264
8-2	Programmed Alarms and Error Messages . . . . .	264
8-3	Reading and Clearing Errors and Messages . . . . .	264
8-4	Error Messages . . . . .	265
8-5	Error Flags . . . . .	268



## 8-1 Alarm Indicators

The ALARM/ERROR indicator on the front of the CPU provides visual indication of an abnormality in the PC. When the indicator is ON (ERROR), a fatal error (i.e., ones that will stop PC operation) has occurred; when the indicator is flashing (ALARM), a nonfatal error has occurred. This indicator is shown in *2-1 Indicators*.

**Caution** The PC will turn ON the ALARM/ERROR indicator, stop program execution, and turn OFF all outputs from the PC for most hardware errors, for certain fatal software errors, or when FALS(07) is executed in the program (see tables on following pages). PC operation will continue for all other errors. It is the user's responsibility to take adequate measures to ensure that a hazardous situation will not result from automatic system shutdown for fatal errors and to ensure that proper actions are taken for errors for which the system is not automatically shut down. System flags and other system and/or user-programmed error indications can be used to program proper actions.

## 8-2 Programmed Alarms and Error Messages

FAL(06), FALS(07), and MSG(46) can be used in the program to provide user-programmed information on error conditions. With these three instructions, the user can tailor error diagnosis to aid in troubleshooting.

FAL(06) is used with a FAL number other than 00, which is output to the SR area when FAL(06) is executed. Executing FAL(06) will not stop PC operation or directly affect any outputs from the PC.

FALS(07) is also used with a FAL number, which is output to the same location in the SR area when FALS(07) is executed. Executing FALS(07) will stop PC operation and will cause all outputs from the PC to be turned OFF.

When FAL(06) is executed with a function number of 00, the current FAL number contained in the SR area is cleared and replaced by another, if more have been stored in memory by the system.

When MSG(46) is used a message containing specified data area words is displayed onto the Programming Console or another Programming Device.

The use of these instructions is described in detail in *Section 5 Instruction Set*.

## 8-3 Reading and Clearing Errors and Messages

System error messages can be displayed onto a Data Access Console, as well as the Programming Console or other Programming Device.

On the Programming Console, press the CLR, FUN, and MONTR keys. If there are multiple error messages stored by the system, the MONTR key can be pressed again to access the next message. If the system is in PROGRAM mode, pressing the MONTR key will clear the error message, so be sure to write down all message errors as you read them. (It is not possible to clear an error or a message while in RUN or MONITOR mode; the PC must be in PROGRAM mode.) When all messages have been cleared, "ERR CHK OK" will be displayed.

Details on accessing error messages from the Programming Console are provided in *7-1 Monitoring Operation and Modifying Data*. Procedures for the GPC, LSS, and FIT are provided in the relevant *Operation Manuals*.

## 8-4 Error Messages

There are basically three types of errors for which messages are displayed: initialization errors, non-fatal operating errors, and fatal operating errors. Most of these are also indicated by FAL number being transferred to the FAL area of the SR area.

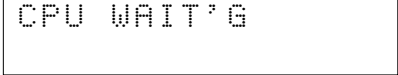
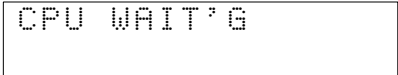
The type of error can be quickly determined from the indicators on the CPU, as described below for the three types of errors. If the status of an indicator is not mentioned in the description, it makes no difference whether it is lit or not.

After eliminating the cause of an error, clear the error message from memory before resuming operation.

Asterisks in the error messages in the following tables indicate variable numeric data. An actual number would appear on the display.

### Initialization Errors

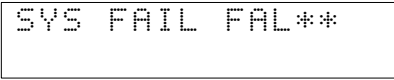
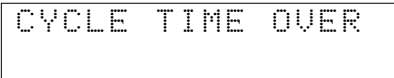
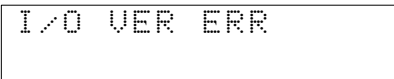
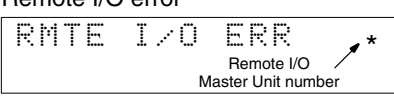
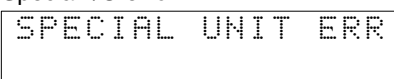
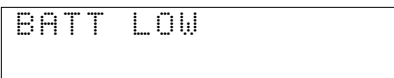
The following error messages appear before program execution has been started. The POWER indicator will be lit and the RUN indicator will not be lit for either of these. The RUN output will be OFF for each of these errors.

Error and message	FAL no.	Probable cause	Possible correction
Waiting for start input 	None	Start input on CPU Power Unit is OFF.	Short start input terminals on CPU Power Unit.
Waiting for Remote I/O 	None	Power to Remote I/O Unit is off or terminator cannot be found.	Check power supply to Remote I/O Units, connections between Remote I/O Units, and terminator setting.

### Non-fatal Operating Errors

The following error messages appear for errors that occur after program execution has been started. PC operation and program execution will continue after one or more of these errors have occurred. For each of these errors, the

POWER and RUN indicators will be lit and the ALARM/ERROR indicator will be flashing. The RUN output will be ON.

Error and message	FAL no.	Probable cause	Possible correction
FAL error 	01 to 99	FAL(06) has been executed in program. Check the FAL number to determine conditions that would cause execution (set by user).	Correct according to cause indicated by FAL number (set by user).
Cycle time overrun 	F8	Watchdog timer has exceeded 100 ms.	Program cycle time is longer than recommended. Reduce cycle time if possible.
I/O table verification error 	E7	Unit has been removed making I/O table incorrect.	Use I/O Table Verify Operation to check I/O table and either connect dummy Units or register the I/O table again.
Remote I/O error 	B0 or B1	Error occurred in transmissions between Remote I/O Units.	Check transmission line between PC and Master and between Remote I/O Units.
Special I/O error 	D0	Error has occurred in PC Link Unit, Remote I/O Master Unit, between a Host, SYSMAC LINK, or SYSMAC NET Link Unit and the CPU, or in refresh between Special I/O Unit and the CPU.	Determine the unit number of the unit which caused the error (AR 00), correct the error, and toggle the appropriate Restart Bit in AR 01 or SR 252. If the unit does not restart, replace it.
Battery error 	F7	Backup battery is missing or its voltage has dropped.	Check battery and replace if necessary.

**Fatal Operating Errors**

The following error messages appear for errors that occur after program execution has been started. PC operation and program execution will stop and all outputs from the PC will be turned OFF when any of the following errors occur. No CPU indicators will be lit for the power interruption error. For all

other fatal operating errors, the POWER and ALARM/ERROR indicators will be lit. The RUN output will be OFF.

Error and message	FAL no.	Probable cause	Possible correction
Power interruption No message.	None	Power has been interrupted for at least 10 ms.	Check power supply voltage and power lines. Try to power-up again.
CPU error No message, or the message displayed before the error.	None	Watchdog timer has exceeded maximum setting (default setting: 130 ms).	Restart system in PROGRAM mode and check program. Reduce cycle time or reset watchdog timer if longer time required. (Consider effects of longer cycle time before resetting.)
Memory error MEMORY ERR	F1	Memory Unit is incorrectly mounted or missing, a Checksum error has occurred, or there is an incorrect instruction.	Check Memory Unit to make sure it is mounted and backed up properly. Perform a Program Check Operation to locate cause of error. If error not correctable, try inputting program again.
No END(01) instruction NO END INST	F0	END(01) is not written anywhere in program.	Write END(01) at the final address of the program.
I/O bus error I/O BUS ERR * Rack no.	C0 to C2	Error has occurred in the bus line between the CPU and I/O Units.	The rightmost digit of the FAL number will indicate the number of the Rack where the error was detected. Check cable connections between the I/O Units and Racks.
Too many Units I/O UNIT OVER	E1	Two or more Special I/O Units are set to the same unit number. CPU01-E, 02: A unit is installed in an unusable slot. CPU11-E: Two SYSMAC NET Link or SYSMAC LINK Units share the same operating level.	Perform the I/O Table Read operation to check unit numbers, and eliminate duplications. CPU01-E: Use slots 1 to 5 only. Do not install Expansion I/O Racks. CPU02: Use slots 1 to 5 only. Do not install Remote I/O Master Units. CPU11-E: Check the SYSMAC NET Link and SYSMAC LINK Unit operating levels and eliminate duplications.
Input-output I/O table error I/O SET ERROR	E0	Input and output word designations registered in I/O table do not agree with input/output words required by Units actually mounted.	Check the I/O table with I/O Table Verification operation and check all Units to see that they are in correct configuration. When the system has been confirmed, register the I/O table again.
FALS error SYS FAIL FAL**	01 to 99 or 9F	FALS has been executed by the program. Check the FAL number to determine conditions that would cause execution (Set by user or by system).	Correct according to cause indicated by FAL number. If FAL number is 9F, check watchdog timer and cycle time, which may be too long. 9F will be output when FALS(07) is executed and the cycle time is between 120 and 130 ms.

**Other Error Messages**

A number of other error messages are detailed within this manual. Errors in program input and debugging can be examined in *Section 4* and errors in cassette tape operation are detailed in *Section 7-2*.

**8-5 Error Flags**

The following table lists the flags and other information provided in the SR and AR areas that can be used in troubleshooting. Details are provided in *3-4 SR Area* and *3-5 AR Area*.

**SR Area**

<b>Address(es)</b>	<b>Function</b>
23600 to 23615	Node loop status for SYSMAC NET Link system
23700 to 23715	Completion/error code output area for SEND(90)/RECV(98) in SYSMAC LINK/SYSMAC NET Link System
24700 to 25015	PC Link Unit Run and Error Flags
25100 to 25115	Remote I/O Error Flags
25200	SYSMAC LINK/SYSMAC NET Link Level 0 SEND(90)/RECV(98) Error Flag
25203	SYSMAC LINK/SYSMAC NET Link Level 1 SEND(90)/RECV(98) Error Flag
25206	Rack-mounting Host Link Unit Level 1 Error Flag
25208	CPU-mounting Host Link Unit Error Flag
25300 to 25307	FAL number output area.
25308	Low Battery Flag
25309	Cycle Time Error Flag
25310	I/O Verification Error Flag
25311	Rack-mounting Host Link Unit Level 0 Error Flag
25312	Remote I/O Error Flag
25415	Special I/O, Master, or Link Unit Error Flag
25503	Instruction Execution Error (ER) Flag

## AR Area

Address(es)	Function
0000 to 0009	Special I/O or PC Link Unit Error Flags
0010	SYSMAC LINK/SYSMAC NET Link Level 1 System Error Flags
0011	SYSMAC LINK/SYSMAC NET Link Level 0 System Error Flags
0012	Rack-mounting Host Link Unit Level 1 Error Flag
0013	Rack-mounting Host Link Unit Level 0 Error Flag
0014	Remote I/O Master Unit 1 Error Flag
0015	Remote I/O Master Unit 0 Error Flag
0200 to 0204	Error Flags for Slave Racks 0 to 4
0300 to 0315	Optical I/O Units (0 to 7) Error Flags
0400 to 0415	Optical I/O Units (8 to 15) Error Flags
0500 to 0515	Optical I/O Units (16 to 23) Error Flags
0600 to 0615	Optical I/O Units (24 to 31) Error Flags
0713 to 0715	Error History Bits
1114	Communications Controller Error Flag Level 0
1115	EEPROM Error Flag for operating level 0
1514	Communications Controller Error Flag Level 1
1515	EEPROM Error Flag for operating level 1
2404	CPU11-E Low Battery Flag
2500 to 2515	FALS-generating address or cycle time error (BCD)



# Appendix A

## Standard Models

The C200H is a Rack-type PC that can be configured many different ways. Here is a series of tables listing the Units available for the C200H, along with a brief description of the Unit and its model number.

### C200H Racks

Name		Specifications	Model number	
Backplane (same for all Racks)		10 slots	C200H-BC101-V2	
		8 slots	C200H-BC081-V2	
		5 slots	C200H-BC051-V2	
		3 slots	C200H-BC031-V2	
CPU Rack	CPU	100 to 120/200 to 240 VAC (Does not support SYSMAC LINK and SYSMAC NET Link Systems.)	C200H-CPU01-E	
		100 to 120/200 to 240 VAC (Supports SYSMAC LINK and SYSMAC NET Link Systems.)	C200H-CPU11-E	
		24 VDC	C200H-CPU03-E	
	Memory Unit	CMOS-RAM Unit; built-in backup battery	UM: 3K words; DM: 1K words	C200H-MR431
			UM: 7K words; DM: 1K words	C200H-MR831
		CMOS-RAM Unit; capacitor backup	UM: 3K words; DM: 1K words	C200H-MR432
			UM: 7K words; DM: 1K words	C200H-MR832
		EPROM Unit (EPROM ordered separately)	UM: 7K words; DM: 1K words	C200H-MP831
		EEPROM Unit	UM: 3K words; DM: 1K words	C200H-ME431
		EEPROM Unit	UM: 7K words; DM: 1K words	C200H-ME831
	EPROM	27128; 150 ns; write voltage: 12.5 V	ROM-ID-B	
	Expansion I/O Racks	I/O Power Supply Unit	100 to 120/200 to 240 VAC	C200H-PS221
			24 VDC	C200H-PS211
I/O Connecting Cable (max. total length: 12 m)		30 cm	C200H-CN311	
		70 cm	C200H-CN711	
		2 m	C200H-CN221	
		5 m	C200H-CN521	
		10 m	C200H-CN131	



## C200H I/O Units

Name		Specifications		Model number
Input Units	AC Input Unit	8 pts	100 to 120 VAC	C200H-IA121
		16 pts	100 to 120 VAC	C200H-IA122
		8 pts	200 to 240 VAC	C200H-IA221
		16 pts	200 to 240 VAC	C200H-IA222
	DC Input Unit	8 pts	No-voltage contact; NPN	C200H-ID001
		8 pts	No-voltage contact; PNP	C200H-ID002
		8 pts	12 to 24 VDC	C200H-ID211
		16 pts	24 VDC	C200H-ID212
	AC/DC Input Unit	8 pts	12 to 24 VAC/DC	C200H-IM211
		16 pts	24 VAC/DC	C200H-IM212
	Analog Timer Unit	4 timers	0.1 to 1 s, 1 to 10 s, 10 to 60 s, or 1 min to 10 min (switchable)	C200H-TM001
	Variable Resistor Connector (Related Product)	Connector with lead wire (2 m) for 1 external resistor	C4K-CN223	
Output Units	Relay Output Unit	8 pts	2 A, 250 VAC/24 VDC (For resistive loads)	C200H-OC221
		12 pts	2 A, 250 VAC/24 VDC (For resistive loads)	C200H-OC222
		16 pts	2 A, 250 VAC/24 VDC (For resistive loads)	C200H-OC225
		5 pts	2 A, 250 VAC/24 VDC (For resistive loads) Independent commons	C200H-OC223
		8 pts	2 A, 250 VAC/24 VDC (For resistive loads) Independent commons	C200H-OC224
	Triac Output Unit	8 pts	1 A, 120 VAC	C200H-OA121-E
		8 pts	1 A, 250 VAC	C200H-OA221
		12 pts	0.3 A, 250 VAC	C200H-OA222
	Transistor Output Unit	8 pts	1 A, 12 to 48 VDC	C200H-OD411
		12 pts	0.3 A, 24 VDC	C200H-OD211
		16 pts	0.3 A, 24 VDC	C200H-OD212
		8 pts	2.1 A, 24 VDC	C200H-OD213
		8 pts	0.8 A, 24 VDC; source type (PNP); with load short protection	C200H-OD214
		8 pts	0.3 A, 5 to 24 VDC; source type (PNP)	C200H-OD216
		12 pts	0.3 A, 5 to 24 VDC; source type (PNP)	C200H-OD217
	B7A Interface Units	15 or 16 input pts	Connects to B7A Link Terminals.	C200H-B7A11
		16 output pts		C200H-B7AO1

**Note**

Transistor Output Unit C200H-OD212 and Contact Output Unit C200H-OC225 must be mounted to either a C200H-BC031-V2, C200H-BC051-V2, C200H-BC081-V2, or C200H-BC101-V2 Backplane.

## C200H Special I/O Units

All of the following are classified as Special I/O Units except for the ASCII Unit, which is an Intelligent I/O Unit.

Name		Specifications		Model number
High-density I/O Units	DC Input Units	32 pts	5 VDC (TTL inputs); with high-speed input function	C200H-ID501
		32 pts	24 VDC; with high-speed inputs	C200H-ID215
	Transistor Output Units	32 pts	0.1 A, 24 VDC (usable as 128-point dynamic output unit)	C200H-OD215
		32 pts	35 mA, 5 VDC (TTL outputs) (usable as 128-point dynamic output unit)	C200H-OD501
	DC Input/Transistor Output Units	16 input/16 output pts	12-VDC inputs; with high-speed input function 0.1 A, 12-VDC outputs (usable as 128-point dynamic input unit)	C200H-MD115
		16 input/16 output pts	24-VDC inputs; with high-speed input function 0.1 A, 24-VDC outputs (usable as 128-point dynamic input unit)	C200H-MD215
16 input/16 output pts		5 VDC (TTL inputs); with high speed input function 35 mA, 5 VDC Output (TTL outputs) (usable as 128-point dynamic input unit)	C200H-MD501	
Analog I/O Units	Analog Input Unit	4 to 20 mA, 1 to 5/0 to 10 V; 4 inputs		C200H-AD001
		4 to 20 mA, 1 to 5/0 to 10/-10 to 10 V; 8 inputs		C200H-AD002
	Analog Output Unit	4 to 20 mA, 1 to 5/0 to 10 V; 2 outputs		C200H-DA001
Temperature Sensor Units	Thermocouple (K(CA) or J(IC)) (switchable); 4 inputs		C200H-TS001	
	Thermocouple (K(CA) or L(Fe-CuNi)) (switchable); 4 inputs		C200H-TS002	
	Platinum resistance thermometer (JPt) (switchable), DIN standards; 4 inputs		C200H-TS101	
	Platinum resistance thermometer (Pt) (switchable); 4 inputs		C200H-TS102	
Temperature Control Units	Thermocouple	Transistor output		C200H-TC001
		Voltage output		C200H-TC002
		Current output		C200H-TC003
	Platinum resistance thermometer	Transistor output		C200H-TC101
		Voltage output		C200H-TC102
		Current output		C200H-TC103
Heat/Cool Temperature Control Units	Thermocouple	Transistor output		C200H-TV001
		Voltage output		C200H-TV002
		Current output		C200H-TV003
	Platinum resistance thermometer	Transistor output		C200H-TV101
		Voltage output		C200H-TV102
		Current output		C200H-TV103
PID Control Units	Transistor output; 4 to 20 mA/1 to 5 V/0 to 5V/0 to 10 V inputs (selectable)		C200H-PID01	
	Voltage output; 4 to 20 mA/1 to 5 V/0 to 5V/0 to 10 V inputs (selectable)		C200H-PID02	
	Current output; 4 to 20 mA/1 to 5 V/0 to 5V/0 to 10 V inputs (selectable)		C200H-PID03	

Name	Specifications		Model number
Position Control Units	1 axis	Pulse output; speeds: 1 to 99,990 pps	C200H-NC111
	1 axis	Directly connectable to servomotor driver; compatible with line driver; speeds: 1 to 250,000 pps	C200H-NC112
	2 axis	1 to 250000. pps. 53 pts per axis	C200H-NC211
Cam Positioner Unit	Detects angles of rotation by means of a resolver and provides ON and OFF outputs at specified angles. A maximum of 48 cam outputs (16 external outputs and 32 internal outputs) maximum are available.		C200H-CP114
High-speed Counter Units	1 axis	Pulse input; counting speed: 50 kcps; 5 VDC/12 VDC/24 VDC	C200H-CT001-V1
	1 axis	Pulse input; counting speed: 75 kcps; RS-422 line driver	C200H-CT002
ASCII Unit	EEPROM		C200H-ASC02
ID Sensor Units	Local application, electromagnetic coupling		C200H-IDS01-V1
	Remote application, microwave transmissions		C200H-IDS21
	Read/Write Head	Electromagnetic type	V600-H series
		Microwave type	V620-H series
	Data Carrier (see note)	SRAM type for V600-H series.	V600-D□□R□□
EEPROM type for V600-H series.		V600-D□□P□□	
Voice Unit	60 messages max.; message length: 32, 48, or 64 s (switchable)		C200H-OV001
	Connecting Cable	RS-232C	C200H-CN224
Fuzzy Logic Unit	Up to 8 inputs and 4 outputs. (I/O to and from specified data area words)		C200H-FZ001

**Note** For Read/Write Head and Data Carrier combinations, refer to the *V600 FA ID System R/W Heads and EEPROM Data Carriers Operation Manual and Supplement* or *V600 FA ID System R/W Heads and SRAM Data Carriers Operation Manual and Supplement*.

## C200H Link Units

Name	Specifications		Model number	
Host Link Unit	Rack-mounting	C200H only	APF/PCF	C200H-LK101-PV1
			RS-422	C200H-LK202-V1
			RS-232C	C200H-LK201-V1
	CPU-mounting	C1000H/C2000H C500 C200H C120	PCF	3G2A6-LK101-EV1
			APF/PCF	3G2A6-LK101-PEV1
			RS-232C	3G2A6-LK201-EV1
			RS-422	3G2A6-LK202-EV1
PC Link Unit	Single level: 32 Units Multilevel: 16 Units	RS-485	C200H-LK401	
Remote I/O Master Unit	Up to two per PC; connectable to up to 5 Slaves per PC total	APF/PCF	C200H-RM001-PV1	
		Wired	C200H-RM201	
Remote I/O Slave Unit	100 to 120/200 to 240 VAC (switchable)	APF/PCF	C200H-RT001-P	
	24 VDC		C200H-RT002-P	
	100 to 120/200 to 240 VAC (switchable)	Wired	C200H-RT201	
	24 VDC		C200H-RT202	

## Optional Products

Name	Specifications	Model number
I/O Unit Cover	Cover for 10-pin terminal block	C200H-COV11
Terminal Block Cover	Short protection for 10-pin terminal block (package of 10 covers); 8 pts.	C200H-COV02
	Short protection for 19-pin terminal block (package of 10 covers); 12 pts.	C200H-COV03
Connector Cover	Protective cover for unused I/O Connecting Cable connectors	C500-COV02
Space Unit	Used for vacant slots	C200H-SP001
Battery Set	For C200H RAM Memory Unit only	C200H-BAT09
Relay	24 VDC	G6B-1174P-FD-US DC24
Backplane Insulation Plate	For 10-slot Backplane	C200H-ATTA1
	For 8-slot Backplane	C200H-ATT81
	For 5-slot Backplane	C200H-ATT51
	For 3-slot Backplane	C200H-ATT31
I/O Bracket	For 5-slot Backplane	C200H-ATT53
	For 8-slot Backplane	C200H-ATT83
	For 3-slot Backplane	C200H-ATT33
Memory Unit Lock Fitting	To secure Memory Unit to CPU	C200H-ATT03
External Connector	Solder terminal; 40 pin with connector cover	C500-CE401
	Solderless terminal; 40 pin with connector cover (crimp-type)	C500-CE402
	Pressure welded terminal; 40 pin	C500-CE403
	Solder terminal; 40 pin with connector cover (right-angle type)	C500-CE404
	Solderless terminal; 40 pin with connector cover (right-angle type)	C500-CE405
	Solder terminal; 24 pin with connector cover	C500-CE241
	Solderless terminal; 24 pin with connector cover (crimp-type)	C500-CE242
Pressure welded terminal; 24 pin	C500-CE243	

## Optical Units

Name		Specifications			Model no.	
Optical I/O Unit	No-voltage Input Unit	8 pts.	100 to 120 VAC power supply	APF/PCF	3G5A2-ID001-PE	
				PCF	3G5A2-ID001-E	
	AC/DC Input Unit	12 to 24 VAC/DC 8 pts.			APF/PCF	3G5A2-IM211-PE
					PCF	3G5A2-IM211-E
	AC Input Unit	100 to 120 VAC 8 pts.			APF/PCF	3G5A2-IA121-PE
					PCF	3G5A2-IA121-E
		200 to 240 VAC 8 pts.	100 to 120/200 to 240 VAC power supply	APF/PCF	3G5A2-IA221-PE	
				PCF	3G5A2-IA221-E	
	Relay Output Unit	2A, 250 VAC/24 VDC (w/relay socket) 8 pts.			APF/PCF	3G5A2-OC221-PE
					PCF	3G5A2-OC221-E
Triac Output Unit	1A, 100 to 120/200 to 240 VAC (w/built-in surge killer) 8 pts.			APF/PCF	3G5A2-OA222-PE	
				PCF	3G5A2-OA222-E	
Transistor Output Unit	0.3 A, 12 to 48 VDC 8 pts.			APF/PCF	3G5A2-OD411-PE	
Repeater Unit	Connected between 32nd and 33rd Units when connecting more than 33 Units in a Remote Subsystem; power supply: 85 to 250 VAC.			APF/PCF	3G5A2-RPT01-PE	
				PCF	3G5A2-RPT01-E	

## Link Adapters

Name	Specifications	Model no.
Link Adapter	3 RS-422 connectors	3G2A9-AL001
	3 optical connectors (APF/PCF)	3G2A9-AL002-PE
	3 optical connectors (PCF)	3G2A9-AL002-E
	1 connector for RS-232C; 2 for RS-422	3G2A9-AL003
	1 connector each for APF/PCF, RS-422, and RS-232C	3G2A9-AL004-PE
	1 connector each for PCF, RS-422, and RS-232C	3G2A9-AL004-E
	1 connector each for APF/PCF and APF	3G2A9-AL005-PE
	1 connector each for PCF and AGF	3G2A9-AL005-E
	1 connector for APF/PCF; 2 for AGF	3G2A9-AL006-PE
	1 connector for PCF; 2 for AGF	3G2A9-AL006-E
	O/E converter; 1 connector for RS-485, 1 connector each for APF/PCF	B500-AL007-PE
	Used for on-line removal of FIT or SYSMAC NET Link Units from the SYSMAC NET Link System, SYSMAC NET Optical Link Adapter 3 connectors for APF/PCF.	B700-AL001

## DIN Products

Name	Specifications	Model number
DIN Track Mounting Bracket	1 set (1 included)	C200H-DIN01
DIN Track	Length: 50 cm; height: 7.3 cm	PFP-50N
	Length: 1 m; height: 7.3 cm	PFP-100N
	Length: 1 m; height: 16 mm	PFP-100N2

## Optical Fiber Cable

**Plastic Optical Fiber Cable (APF)** APF stands for “All-Plastic Fiber”. This cable can be used to connect only Units having the suffix “-P” in their model number. The maximum length is 20 m. The 3G5A2-PF002 cable comes without connectors and must be assembled by the user.

Product	Description	Model no.
Plastic Optical Fiber Cable	Cable only (optical connectors not provided) Order in units of 5 m for cable less than 100 m, or in units of 200 m or 500 m.	3G5A2-PF002
Optical Connector A	2 pcs (brown),for plastic Optical fiber 10 m long max.	3G5A2-CO001
Optical Connector B	2 pcs (black) for plastic Optical fiber 8 to 20 m long	3G5A2-CO002
Plastic Optical Fiber Cable	1 m, w/optical connector A provided at both ends	3G5A2-PF101

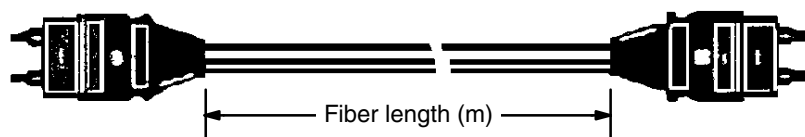
**Plastic-Clad Optical Fiber Cable (PCF)** PCF stands for “Plastic-Clad Fiber”. This cable can be used to connect any Units. The maximum length for Units having the suffix “-P” in their model number is 200 m. The maximum length for Units without the suffix “-P” in their model number is 800 m.

Product	Description	Model no.	
Optical Fiber Cable (for indoors)	0.1 m, w/connector	Ambient temperature: -10° to 70°C	3G5A2-OF011
	1 m, w/connector		3G5A2-OF101
	2 m, w/connector		3G5A2-OF201
	3 m, w/connector		3G5A2-OF301
	5 m, w/connector		3G5A2-OF501
	10 m, w/connector		3G5A2-OF111
	20 m, w/connector		3G5A2-OF211
	30 m, w/connector		3G5A2-OF311
	40 m, w/connector		3G5A2-OF411
	50 m, w/connector		3G5A2-OF511
Optical Fiber Cable (for outdoors)	1 to 500 m (Order in Units of 10 m)	Ambient temperature: -10° to 70°C	3G5A2-OF002
	501 to 800 m (Order in Units of 10 m)		

**Crystal Optical Fiber Cable (AGF)** AGF stands for “All-Glass Fiber”. Crystal optical fiber cable is not available from OMRON.

## Cable Length

The connectors may be difficult to attach to the cables. Therefore, always leave a little extra length when cutting the cable. The lengths given for pre-assembled cables are as shown below.



## Peripheral Devices

Product	Description		Model no.	
Programming Console	Vertical, w/backlight		3G2A5-PRO13-E	
	Horizontal, w/backlight		3G2A6-PRO15-E	
	Vertical type, w/backlight (Connecting cable required)		C200H-PRO27-E	
Data Access Console	Connecting cable required		C200H-DAC01	
Programming Console and Data Access Console Connecting Cables	For vertical type	2 m	C200H-CN222	
		4 m	C200H-CN422	
Data Setting Console	Used for data input and process value display for the C200H-TC□□□/C200H-TV□□□/□□□/□□□.		C200H-DSC01	
Data Setting Console Connecting Cables	For C200H-DSC01	2 m	C200H-CN225	
		4 m	C200H-CN425	
Panel Mounting Bracket	For vertical Programming Console, Data Access Console		C200H-ATT01	
Cassette Tape Recorder Connecting Cable	1 m		SCYP0R-PLG01	
PROM Writer	For C-series PCs (12.5/21 V)		C500-PRW06	
Floppy Disk Interface Unit	For C-series PCs		3G2C5-FDI03-E	
Printer Interface Unit	For C-series PCs		3G2A5-PRT01-E	
Memory Pack (for Printer Interface)	For C200H/C1000H/C2000H		C2000-MP103-EV3	
Printer Connecting Cable	For printer, 2 m		SCY-CN201	
Peripheral Interface Unit	High-density I/O 12-/16-point I/O Special I/O Unit		C200H-IP006	
Connecting Cable	To connect GPC to Peripheral Interface Unit	2 m	3G2A2-CN221	
		5 m	C500-CN523	
		10 m	C500-CN131	
		20 m	C500-CN231	
		30 m	C500-CN331	
		40 m	C500-CN431	
		50 m	C500-CN531	
Graphic Programming Console	100 to 120 VAC, w/comment		3G2C5-GPC03-E	
	200 to 240 VAC, w/comment		3G2C5-GPC04-E	
Memory Pack	For C200H/C1000H/C2000H		3G2C5-MP304-EV3	
CRT Interface Unit	For connection between GPC and CRT		C500-GDI01	
Programming Console Adapter	To attach peripheral devices to the CPU with B-type I/O Units mounted to the CPU Rack.	Space between the Programming Console Adapter and CPU surface.	29 mm	C200H-BP001
			49 mm	C200H-BP002
FIT	Factory Intelligent Terminal		FIT 10-SET11-E	

## Ladder Support Software (LSS)

Product	Description	Model no.
Ladder Support Software	5.25", 2D for IBM PC/AT compatible	C500-SF711-EV3
	3.5", 2DD for IBM PC/AT compatible	C500-SF312-EV3

## SYSMAC LINK Unit/SYSMAC NET Link Unit

If you are using any of the Units listed in the table below, they must be mounted to a CPU Rack that uses model C200H-CPU11-E as the CPU. Otherwise, these Units will not operate properly.

Name	Specifications		Model number
SYSMAC LINK Unit	Must be mounted to leftmost 2 slots on Rack with C200H-CPU11-E. Use optical fiber cable.		C200HW-SLK13/14
	Must be mounted to leftmost 2 slots on Rack with C200H-CPU11-E		C200HW-SLK23/24-V1
Terminator	One required for each node at ends of System		C1000H-TER01
Attachment Stirrup	Provided with SYSMAC LINK Unit		C200H-TL001
F Adapter	---		C1000H-CE001
F Adapter Cover	---		C1000H-COV01
Communications Cable	Coaxial cables	Manufactured by Hitachi	ECXF5C-2V
		Manufactured by Fujigura	5C-2V
Auxiliary Power Supply Unit	For use with the C200H-SLK11		C200H-APS03
SYSMAC NET Link Unit	Must be mounted to leftmost 2 slots on Rack with C200H-CPU11-E		C200HS-SNT32
Power Supply Adapter	Required when supplying power from Central Power Supply	For 1 Unit	C200H-APS01
		For 2 Units	C200H-APS02
Power Cable	Connects Power Supply Adapter and SYSMAC NET Link Unit	For 1 Unit	C200H-CN111
		For 2 Units	C200H-CN211
Bus Connection Unit	Connects SYSMAC LINK Unit or SYSMAC NET Link Unit to CPU	For 1 Unit	C200H-CE001
		For 2 Units	C200H-CE002





# Appendix B

## Programming Instructions

This appendix provides tables listing the programming instructions used with C200H PCs. The first table summarizes all instructions and gives page references where more detailed information can be found in the body of the manual. The second table gives the execution times for the instructions for both ON and OFF execution conditions. The third part is divided into two tables and summarizes the instructions, giving the ladder diagram symbol, a brief description, and the applicable data areas. In all tables, the entries are listed alphanumerically. Instructions without function codes are given first in alphabetical order, according to the mnemonic. These are followed by the instructions with function codes which are listed numerically, according to the function code.

A PC instruction is entered either using the appropriate Programming Console key(s) (e.g., LD, AND, OR, NOT), or by using function codes. To input an instruction using its function code, press FUN, the function code, and then WRITE.

Function Code	Name	Mnemonic	Page
--	AND	AND	102
--	AND LOAD	AND LD	103
--	AND NOT	AND NOT	102
--	COUNTER	CNT	118
--	LOAD	LD	102
--	LOAD NOT	LD NOT	102
--	OR	OR	102
--	OR LOAD	OR LD	103
--	OR NOT	OR NOT	102
--	OUTPUT	OUT	104
--	OUTPUT NOT	OUT NOT	104
--	TIMER	TIM	113
00	NO OPERATION	NOP	112
01	END	END	111
02	INTERLOCK	IL	108
03	INTERLOCK CLEAR	ILC	108
04	JUMP	JMP	110
05	JUMP END	JME	110
06	FAILURE ALARM	FAL	202
07	SEVERE FAILURE ALARM	FALS	202
08	STEP DEFINE	STEP	193
09	STEP START	SNXT	193
10	SHIFT REGISTER	SFT	123
11	KEEP	KEEP	106
12	REVERSIBLE COUNTER	CNTR	121
13	DIFFERENTIATE UP	DIFU	105
14	DIFFERENTIATE DOWN	DIFD	105
15	HIGH-SPEED TIMER	TIMH	117
16	WORD SHIFT	WSFT	130
17	REVERSIBLE WORD SHIFT	RWS	131
18	CYCLE TIME	SCAN	203
19	MULTI-WORD COMPARE	MCMP	141

Function Code	Name	Mnemonic	Page
20	COMPARE	CMP	142
21	MOVE	MOV	132
22	MOVE NOT	MVN	133
23	BCD-TO-BINARY	BIN	149
24	BINARY-TO-BCD	BCD	150
25	ARITHMETIC SHIFT LEFT	ASL	127
26	ARITHMETIC SHIFT RIGHT	ASR	127
27	ROTATE LEFT	ROL	128
28	ROTATE RIGHT	ROR	128
29	COMPLEMENT	COM	184
30	BCD ADD	ADD	164
31	BCD SUBTRACT	SUB	166
32	BCD MULTIPLY	MUL	171
33	BCD DIVIDE	DIV	172
34	AND WORD	ANDW	185
35	OR WORD	ORW	185
36	EXCLUSIVE OR	XORW	186
37	EXCLUSIVE NOR	XNRW	187
38	INCREMENT	INC	163
39	DECREMENT	DEC	163
40	SET CARRY	STC	163
41	CLEAR CARRY	CLC	164
46	DISPLAY MESSAGE	MSG	204
47	LONG MESSAGE	LMSG	205
48	TERMINAL MODE	TERM	206
49	SET SYSTEM	SYS	206
50	BINARY ADD	ADB	179
51	BINARY SUBTRACT	SBB	181
52	BINARY MULTIPLY	MLB	183
53	BINARY DIVIDE	DVB	184
54	DOUBLE BCD ADD	ADDL	165
55	DOUBLE BCD SUBTRACT	SUBL	169
56	DOUBLE BCD MULTIPLY	MULL	172
57	DOUBLE BCD DIVIDE	DIVL	173
58	DOUBLE BCD-TO-DOUBLE BINARY	BINL	149
59	DOUBLE BINARY-TO-DOUBLE BCD	BCDL	151
60	DOUBLE COMPARE	CMPL	144
63	COLUMN-TO-WORD	CTW	133
64	WORD-TO-COLUMN	WTC	134
65	HOURS-TO-SECONDS	HTS	151
66	SECONDS-TO-HOURS	STH	152
67	BIT COUNTER	BCNT	207
68	BLOCK COMPARE	BCMP	146
69	VALUE CALCULATE	VCAL	207
70	BLOCK TRANSFER	XFER	137

Function Code	Name	Mnemonic	Page
71	BLOCK SET	BSET	135
72	SQUARE ROOT	ROOT	177
73	DATA EXCHANGE	XCHG	137
74	ONE DIGIT SHIFT LEFT	SLD	129
75	ONE DIGIT SHIFT RIGHT	SRD	129
76	4-TO-16 DECODER	MLPX	153
77	16-TO-4 ENCODER	DMPX	155
78	7-SEGMENT DECODER	SDEC	158
79	FLOATING POINT DIVIDE	FDIV	174
80	SINGLE WORD DISTRIBUTE	DIST	138
81	DATA COLLECT	COLL	138
82	MOVE BIT	MOVB	139
83	MOVE DIGIT	MOVD	140
84	REVERSIBLE SHIFT REGISTER	SFTR	125
85	TABLE COMPARE	TCMP	147
86	ASCII CONVERT	ASC	161
89	INTERRUPT CONTROL	INT	190
90	NETWORK SEND	SEND	211
91	SUBROUTINE ENTER	SBS	189
92	SUBROUTINE DEFINE	SBN	188
93	RETURN	RET	188
94	WATCHDOG TIMER REFRESH	WDT	210
97	I/O REFRESH	IORF	210
98	NETWORK RECEIVE	RECV	213

## Instruction Execution Times

The following table lists the execution times for all instructions that are available for the C200H. The maximum and minimum execution times and the conditions which cause them are given where relevant. When “word” is referred to in the Conditions column, it implies the content of any word except for indirectly addressed DM words. Indirectly addressed DM words, which create longer execution times when used, are indicated by “\*DM”.

Execution times for most instructions depend on whether they are executed with an ON or an OFF execution condition. Exceptions are the ladder diagram instructions OUT and OUT NOT, which require the same time regardless of the execution condition. The OFF execution time for an instruction can also vary depending on the circumstances, i.e., whether it is in an interlocked program section and the execution condition for IL is OFF, whether it is between JMP(04) 00 and JME(05) 00 and the execution condition for JMP(04) 00 is OFF, or whether it is reset by an OFF execution condition. “R”, “IL”, and “JMP” are used to indicate these three times.

All execution times are given in microseconds unless otherwise noted.

Instruction	Conditions	ON execution time (μs)	OFF execution time (μs)
LD	---	0.75	1.5
LD NOT	---	0.75	1.5
AND	---	0.75	1.5
AND NOT	---	0.75	1.5
OR	---	0.75	1.5
OR NOT	---	0.75	1.5
AND LD	---	0.75	1.5
OR LD	---	0.75	1.5
OUT	---	1.13	2.25
OUT NOT	---	1.13	2.25
TIM	Constant for SV	2.25	R: 2.25 IL: 2.25 JMP: 2.25
	*DM for SV		R: 160 IL: 2.25 JMP: 2.25
CNT	Constant for SV	2.25	R: 2.25 IL: 2.25 JMP: 2.25
	*DM for SV		R: 160 IL: 2.25 JMP: 2.25
NOP(00)	---	0.75	---
END(01)	---	80	---
IL(02)	---	59	35
ILC(03)	---	44	35
JMP(04)	---	69	35
JME(05)	---	47	35
FAL(06) 01 to 99	---	236	2.25
FAL(06) 00	---	182	2.25
FALS(07)	---	4.28 ms	2.25
STEP(08)	---	95	2.25

Instruction	Conditions	ON execution time ( $\mu$ s)	OFF execution time ( $\mu$ s)
SNXT(09)	---	34	2.25
SFT(10)	With 1-word shift register	181	R: 191 IL: 30 JMP: 30
	With 250-word shift register	1.44 ms	R: 1.81 ms IL: 30 JMP: 30
KEEP(11)	---	1.13	---
CNTR(12)	Constant for SV	111	R: 85 IL: 49
	*DM for SV	205	JMP: 49
DIFU(13)	---	93	Normal: 93 IL: 93 JMP: 84
DIFD(14)	---	92	Normal: 92 IL: 92 JMP: 84
TIMH(15)	Interrupt Constant for SV	120	R: 199
	Normal cycle	135	IL: 199
	Interrupt *DM for SV	120	JMP: 73
	Normal cycle	135	R: 291 IL: 291 JMP: 73
WSFT(16)	When shifting 1 word	170	3
	When shifting 1,000 words using *DM	8.6 ms	
RWS(17)	When resetting 1 word	388	3.75
	When shifting 999 words using *DM	30.3 ms	
SCAN(18)	Constant for SV	311	3.75
	*DM for SV	412	
MCMP(19)	Comparing 2 words, result word	636	3.75
	Comparing 2 *DM, result *DM	890	
CMP(20)	When comparing a constant to a word	124	3
	When comparing two *DM	296	
MOV(21)	When transferring a constant to a word	88	3
	When transferring *DM to *DM	259	
MVN(22)	When transferring a constant to a word	91	3
	When transferring *DM to *DM	261	
BIN (23)	When converting a word to a word	174	3
	When converting *DM to *DM	338	
BCD(24)	When converting a word to a word	179	3
	When converting *DM to *DM	337	
ASL(25)	When shifting a word	72	2.25
	When shifting *DM	158	

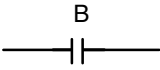
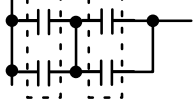
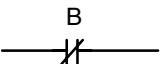
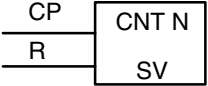
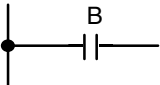
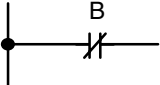

Instruction	Conditions	ON execution time ( $\mu$ s)	OFF execution time ( $\mu$ s)
ASR(26)	When shifting a word	72	2.25
	When shifting *DM	158	
ROL(27)	When rotating a word	77	2.25
	When rotating *DM	162	
ROR(28)	When rotating a word	77	2.25
	When rotating *DM	162	
COM(29)	When inverting a word	67	2.25
	When inverting *DM	152	
ADD(30)	Constant + word b word	153	3.75
	*DM + *DM b *DM	415	
SUB(31)	Constant + word b word	161	3.75
	*DM – *DM b *DM	422	
MUL(32)	Constant x word b word	480	3.75
	*DM x *DM b word	742	
DIV(33)	Word $\div$ constant b word	724	3.75
	*DM $\div$ *DM b *DM	984	
ANDW(34)	Constant AND word b word	122	3.75
	*DM AND *DM b *DM	371	
ORW(35)	Constant OR word b word	122	3.75
	*DM OR *DM b *DM	371	
XORW(36)	Constant XOR word b word	122	3.75
	*DM XOR *DM b *DM	371	
XNRW(37)	Constant XNOR word b word	124	3.75
	*DM XNOR *DM b *DM	373	
INC(38)	When incrementing a word	82	2.25
	When incrementing *DM	167	
DEC(39)	When decrementing a word	82	2.25
	When decrementing *DM	167	
STC(40)	---	27	1.5
CLC(41)	---	27	1.5
MSG(46)	---	98	2.25
LMSG(47)	Constant for SV	290	3.75
	*DM for SV	367	
TERM(48)	---	161	3.75
SYS(49)	---	2	3.75
ADB(50)	Constant + word b word	144	3.75
	*DM + *DM b *DM	393	
SBB(51)	Constant – word b word	147	3.75
	*DM – *DM b *DM	396	
MLB(52)	Constant x word b word	205	3.75
	*DM x *DM b *DM	452	

Instruction	Conditions	ON execution time (μs)	OFF execution time (μs)
DVB(53)	Word ÷ constant b word	476	3.75
	*DM ÷ *DM b *DM	704	
ADDL(54)	Word + word b word	243	3.75
	*DM + *DM b *DM	491	
SUBL(55)	Word – word b word	255	3.75
	*DM – *DM b *DM	504	
MULL(56)	Word x word b word	1.14 ms	3.75
	*DM x *DM b *DM	1.39 ms	
DIVL(57)	Word ÷ word b word	3.25 ms	3.75
	*DM ÷ *DM b *DM	3.39 ms	
BINL(58)	When converting words to words	350	3
	When converting *DM to *DM	511	
BCDL(59)	When converting words to words	588	3
	When converting *DM to *DM	750	
CMPL(60)	When comparing words to words	380	3.75
	When comparing *DM to *DM	543	
CTW(63)	When transferring from words to a word	670	3.75
	When transferring *DM to *DM	923	
WTC(64)	When transferring from a word to words	807	3.75
	When transferring *DM to *DM	1.07 ms	
HTS(65)	Word to word	859	3.75
	*DM to *DM	1.00 ms	
STH(66)	Word to word	744	3.75
	*DM to *DM	889	
BCNT(67)	When counting 1 word	502	3.75
	When counting 1,000 words using *DM	100 ms	
BCMP(68)	Comparing constant to word-designated table	674	3.75
	Comparing *DM b *DM-designated table	926	
VCAL69)	Trigonometric functions.	488	3.75
	Linear approximation with a 256 word table	2.71 ms	
XFER(70)	When transferring 1 word	305	3.75
	When transferring 1,000 words using *DM	16 ms	
BSET(71)	When setting a constant to 1 word	209	3.75
	When setting *DM ms to 1,000 words using *DM	4.28 ms	
ROOT(72)	When taking root of word and placing in a word	631	3
	When taking root of 99,999,999 in *DM and placing in *DM	1.16 ms	
XCHG(73)	Between words	156	3
	Between *DM	316	



Instruction	Conditions	ON execution time ( $\mu$ s)	OFF execution time ( $\mu$ s)
SLD(74)	When shifting 1 word	193	3
	When shifting 1,000 DM words using *DM	33 ms	
SRD(75)	When shifting 1 word	193	3
	When shifting 1,000 DM words using *DM	33 ms	
MLPX(76)	When decoding word to word	203	3.75
	When decoding *DM to *DM	568	
DMPX(77)	When encoding a word to a word	225	3.75
	When encoding *DM to *DM	551	
SDEC(78)	When decoding a word to a word	235	3.75
	When decoding *DM to *DM	571	
FDIV(79)	Word $\div$ word b word (equals 0)	632	3.75
	Word $\div$ word b word (doesn't equal 0)	1.77 ms	
	*DM $\div$ *DM b *DM	2.1 ms	
DIST(80)	Constant b word + (word)	246	3.75
	*DM b (*DM + (*DM))	481	
COLL(81)	(Word + (word)) b word	262	3.75
	(*DM + (*DM)) b *DM	497	
MOVB (82)	When transferring word to a word	158	3.75
	When transferring *DM to *DM	357	
MOVD(83)	When transferring word to a word	195	3.75
	When transferring *DM to *DM	399	
SFTR(84)	When shifting 1 word	284	3.75
	When shifting 1,000 DM words using *DM	13.8 ms	
TCMP(85)	Comparing constant to words in a designated table	542	3.75
	Comparing *DM b *DM-designated table	830	
ASC(86)	Word b word	270	3.75
	*DM b *DM	454	
INT(89)	When reading interrupt mask	265	3.75
	When masking and clearing interrupt	265	
SEND(90)	1-word transmit	563	3.75
	1000-word transmit	752	
SBS(91)	---	158	2.25
SBN(92)	---	---	---
RET(93)	---	198	1.5
WDT(94)	---	35	2.25
IORF(97)	1-word refresh	450	3
	30-word refresh	4 ms	
RECV(98)	1-word refresh	559	3.75
	1000-word refresh	764	

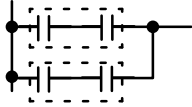

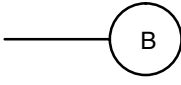
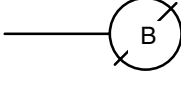
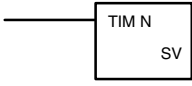
# Basic Instructions

Name Mnemonic	Symbol	Function	Operand Data Areas
<b>AND</b> AND		Logically ANDs the status of the designated bit with the current execution condition.	<b>B:</b> IR SR HR AR LR TC
<b>AND LOAD</b> AND LD		Logically ANDs the resultant execution conditions of the preceding logic blocks.	None
<b>AND NOT</b> AND NOT		Logically ANDs the inverse of the designated bit with the current execution condition.	<b>B:</b> IR SR HR AR LR TC
<b>COUNTER</b> CNT		A decrementing counter. SV: 0 to 9999; CP: count pulse; R: reset input. The TC bit is entered as a constant.	<b>N:</b> TC <b>SV:</b> IR HR AR LR DM #
<b>LOAD</b> LD		Defines the status of bit B as the execution condition for subsequent operations in the instruction line.	<b>B:</b> IR SR HR AR LR TC TR
<b>LOAD NOT</b> LD NOT		Defines the status of the inverse of bit B as the execution condition for subsequent operations in the instruction line.	<b>B:</b> IR SR HR AR LR TC
<b>OR</b> OR		Logically ORs the status of the designated bit with the current execution condition.	<b>B:</b> IR SR HR AR LR TC

**Data Areas**

These footnote tables show the actual ranges of all data areas. Bit numbers are provided (except for DM and TC areas); remove the rightmost two digits for word numbers.

IR	SR	HR	TR	AR	LR	TC	DM	#
00000 to 23515	23600 to 25507	HR 0000 to 9915	TR 0 to 7	AR 0000 to 2715	LR 0000 to 6315	TC 000 to 511	Read/Wr: DM 0000 to DM 0999 Rd only: DM 1000 to DM 1999	0000 to 9999 or 0000 to FFFF

Name Mnemonic	Symbol	Function	Operand Data Areas
<b>OR LOAD</b> OR LD		Logically ORs the resultant execution conditions of the preceding logic blocks.	None
<b>OR NOT</b> OR NOT		Logically ORs the inverse of the designated bit with the execution condition.	<b>B:</b> IR SR HR AR LR TC
<b>OUTPUT</b> OUT		Turns ON B for an ON execution condition; turns OFF B for an OFF execution condition.	<b>B:</b> IR SR HR AR LR TR
<b>OUTPUT NOT</b> OUT NOT		Turns OFF B for an ON execution condition; turns ON B for an OFF execution condition.	<b>B:</b> IR SR HR AR LR
<b>TIMER</b> TIM		ON-delay (decrementing) timer operation. Set value: 000.0 to 999.9 s. The same TC bit cannot be assigned to more than one timer/counter. The TC bit is entered as a constant.	<b>N:</b> TC  <b>SV:</b> IR HR AR LR DM #

**Data Areas**

These footnote tables show the actual ranges of all data areas. Bit numbers are provided (except for DM and TC areas); remove the rightmost two digits for word numbers.

IR	SR	HR	TR	AR	LR	TC	DM	#
00000 to 23515	23600 to 25507	HR 0000 to 9915	TR 0 to 7	AR 0000 to 2715	LR 0000 to 6315	TC 000 to 511	Read/Wr: DM 0000 to DM 0999 Rd only: DM 1000 to DM 1999	0000 to 9999 or 0000 to FFFF

## Special Instructions

Name Mnemonic	Symbol	Function	Operand Data Areas
<b>NO OPERATION</b> NOP(00)	None	Nothing is executed and program operation moves to the next instruction.	None
<b>END</b> END(01)	— <span style="border: 1px solid black; padding: 2px;">END(01)</span>	Required at the end of each program. Instructions located after END(01) will not be executed.	None
<b>INTERLOCK</b> IL(02) <b>INTERLOCK CLEAR</b> ILC(03)	— <span style="border: 1px solid black; padding: 2px;">IL(02)</span>  — <span style="border: 1px solid black; padding: 2px;">ILC(03)</span>	If an interlock condition is OFF, all outputs and all timer PVs between the current IL(02) and the next ILC(03) are turned OFF or reset, respectively. Other instructions are treated as NOP. Counter PVs are maintained. If the execution condition is ON, execution continues normally.	None
<b>JUMP</b> JMP(04) <b>JUMP END</b> JME(05)	— <span style="border: 1px solid black; padding: 2px;">JMP(04) N</span>  — <span style="border: 1px solid black; padding: 2px;">JME(05) N</span>	When the execution condition for the JMP(04) instruction is ON, all instructions between JMP(04) and the corresponding JME(05) are to be ignored or treated as NOP(00). For direct jumps, the corresponding JMP(04) and JME(05) instructions have the same N value in the range 01 through 99. Direct jumps are usable only once each per program (i.e., N is 01 through 99 can be used only once each) and the instructions between the JUMP and JUMP END instructions are ignored; 00 may be used as many times as necessary, instructions between JMP 00 and the next JME 00 are treated as NOP, thus increasing cycle time, as compared with direct jumps.	<b>N:</b> 00 to 99 (not applicable for C□□P, C□□K, or C120 PCs)
<b>FAILURE ALARM</b> (@)FAL(06)	— <span style="border: 1px solid black; padding: 2px;">FAL(06) N</span>	Assigns a failure alarm code to the given execution condition. When N can be given a value between 01 and 99 to indicate that a non-fatal error (i.e., one that will not stop the CPU) has occurred. This is indicated by the PC outputting N (the FAL number) to the FAL output area. To reset the FAL area, N can be defined as 00. This will cause all previously recorded FAL numbers in the FAL area to be deleted. FAL data sent after a 00 will be recorded in the normal way. The same code numbers can be used for both FAL(06) and FALS(07).	<b>N:</b> 00 to 99
<b>SEVERE FAILURE ALARM</b> FALS(07)	— <span style="border: 1px solid black; padding: 2px;">FALS(07) N</span>	A fatal error is indicated by outputting N to the FAL output area and the CPU is stopped. The same FAL numbers are used for both FAL(06) and FALS(07).	<b>N:</b> 01 to 99

**Data Areas**

These footnote tables show the actual ranges of all data areas. Bit numbers are provided (except for DM and TC areas); remove the rightmost two digits for word numbers.

IR	SR	HR	TR	AR	LR	TC	DM	#
0000 to 23515	23600 to 25507	HR 0000 to 9915	TR 0 to 7	AR 0000 to 2715	LR 0000 to 6315	TC 000 to 511	Read/Wr: DM 0000 to DM 0999 Rd only: DM 1000 to DM 1999	0000 to 9999 or 0000 to FFFF

Name Mnemonic	Symbol	Function	Operand Data Areas
<b>STEP DEFINE</b> STEP(08)		When used with a control bit (B), defines the start of a new step and resets the previous step. When used without B, it defines the end of step execution.	<b>B:</b> IR HR AR LR
<b>STEP START</b> SNXT(09)		Used with a control bit (B) to indicate the end of the step, reset the step, and start the next step which has been defined with the same control bit.	<b>B:</b> IR HR AR LR
<b>SHIFT REGISTER</b> SFT(10)		Creates a bit shift register for data from the starting word (St) through to the ending word (E). I: input bit; P: shift pulse; R: reset input. St must be less than or equal to E. St and E must be in the same data area.	<b>St/E:</b> IR HR AR LR
<b>KEEP</b> KEEP(11)		Defines a bit (B) as a latch, controlled by the set (S) and reset (R) inputs.	<b>B:</b> IR HR AR LR
<b>REVERSIBLE COUNTER</b> CNTR (12)		Increases or decreases the PV by one whenever the increment input (II) or decrement input (DI) signals, respectively, go from OFF to ON. SV: 0 to 9999; R: reset input. Each TC bit can be used for one timer/counter only. The TC bit is entered as a constant.	<b>N:</b> TC <b>SV:</b> IR SR HR AR LR DM #
<b>DIFFERENTIATE UP</b> DIFU(13) <b>DIFFERENTIATE DOWN</b> DIFD(14)		DIFU(13) turns ON the designated bit (B) for one cycle on reception of the leading (rising) edge of the input signal; DIFD(14) turns ON the bit for one cycle on reception of the trailing (falling) edge.	<b>B:</b> IR HR AR LR
<b>HIGH-SPEED TIMER</b> TIMH(15)		A high-speed, ON-delay (decrementing) timer. SV: 00.02 to 99.99 s. Each TC bit can be assigned to only one timer or counter. The TC bit is entered as a constant.	<b>N:</b> TC <b>SV:</b> IR SR HR AR LR HR #

**Data Areas**

These footnote tables show the actual ranges of all data areas. Bit numbers are provided (except for DM and TC areas); remove the rightmost two digits for word numbers.

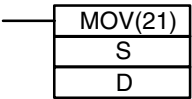
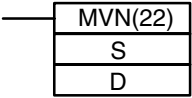
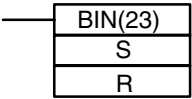
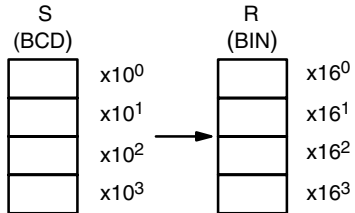
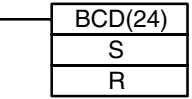
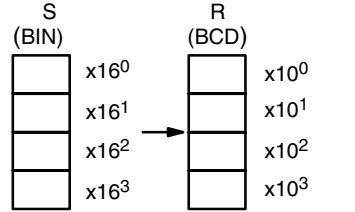
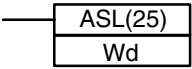
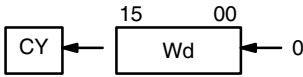
IR	SR	HR	TR	AR	LR	TC	DM	#
00000 to 23515	23600 to 25507	HR 0000 to 9915	TR 0 to 7	AR 0000 to 2715	LR 0000 to 6315	TC 000 to 511	Read/Wr: DM 0000 to DM 0999 Rd only: DM 1000 to DM 1999	0000 to 9999 or 0000 to FFFF

Name Mnemonic	Symbol	Function	Operand Data Areas
<b>WORD SHIFT</b> (@)WSFT(16)		The data in the words from the starting word (St) through to the ending word (E), is shifted left in word units, writing all zeros into the starting word. St must be less than or equal to E, and St and E must be in the same data area.	<b>St/E:</b> IR HR AR LR DM
<b>REVERSIBLE WORD SHIFT</b> (@)RWS(17) (CPU11-E)		Creates and controls a reversible non-synchronous word shift register between St and E. Exchanges the content of a word containing zero with the content of either the preceding or following word, depending on the shift direction. Bits 13, 14, and 15 of control word C determine the mode of operation of the register according to the following: The shift direction is determined by bit 13 (OFF shifts the non-zero data to higher addressed words; ON to lower addressed words). Bit 14 is the register enable bit (ON for shift enabled). Bit 15 is the reset bit (if bit 15 is ON, the register will be set to zero between St and E when the instruction is executed with bit 14 also ON). St and E must be in the same data area.	<b>C:</b> IR SR HR AR LR TC DM # <b>St/E:</b> IR SR HR AR LR TC DM
<b>CYCLE TIME</b> (@)SCAN(18) (CPU11-E)		Sets the minimum cycle time, Mi, in tenths of milliseconds. The possible setting range is from 0 to 999.0 ms. If the actual cycle time is less than the time set using SCAN(18), the CPU will wait until the designated time has elapsed before starting the next cycle.	<b>Mi:</b> IR SR HR AR LR TC DM # —: Not used.
<b>MULTI-WORD COMPARE</b> (@)MCMP(19) (CPU11-E)		Compares the data within a block of 16 words of 4-digit hexadecimal data (S <sub>1</sub> to S <sub>1</sub> +15) with that in another block of 16 words (S <sub>2</sub> to S <sub>2</sub> +15) on a word-by-word basis. If the words are not in agreement, the bit corresponding to unmatched words turns ON in the result word, D. Bits corresponding to words that are equal are turned OFF.	<b>S<sub>1</sub>/S<sub>2</sub>:</b> IR SR HR AR LR TC DM <b>D:</b> IR SR HR AR LR TC DM
<b>COMPARE</b> (@)CMP(20)		Compares the data in two 4-digit hexadecimal words (Cp1 and Cp2) and outputs result to the GR, EQ, or LE Flags.	<b>Cp1/Cp2:</b> IR SR HR AR LR TC DM #

**Data Areas**

These footnote tables show the actual ranges of all data areas. Bit numbers are provided (except for DM and TC areas); remove the rightmost two digits for word numbers.

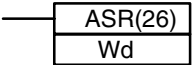
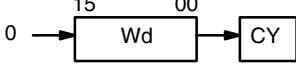
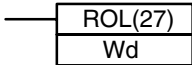
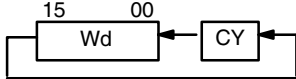
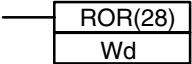
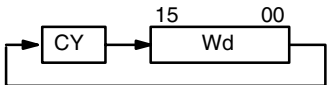
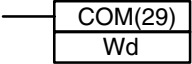
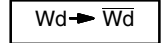
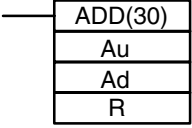
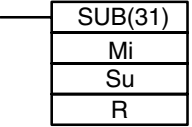
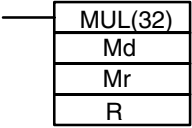
IR	SR	HR	TR	AR	LR	TC	DM	#
00000 to 23515	23600 to 25507	HR 0000 to 9915	TR 0 to 7	AR 0000 to 2715	LR 0000 to 6315	TC 000 to 511	Read/Wr: DM 0000 to DM 0999 Rd only: DM 1000 to DM 1999	0000 to 9999 or 0000 to FFFF

Name Mnemonic	Symbol	Function	Operand Data Areas
<b>MOVE</b> (@)MOV(21)		Transfers data from source word, (S) to destination word (D).	<b>S:</b> IR SR HR AR LR TC DM # <b>D:</b> IR HR AR LR DM
<b>MOVE NOT</b> (@)MVN(22)		Transfers the inverse of the data in the source word (S) to destination word (D).	<b>S:</b> IR SR HR AR LR TC DM # <b>D:</b> IR HR AR LR DM
<b>BCD-TO-BINARY</b> (@)BIN(23)		Converts 4-digit, BCD data in source word (S) into 16-bit binary data, and outputs converted data to result word (R).  	<b>S:</b> IR SR HR AR LR TC DM <b>R:</b> IR HR AR LR DM
<b>BINARY-TO-BCD</b> (@)BCD(24)		Converts binary data in source word (S) into BCD, and outputs converted data to result word (R).  	<b>S:</b> IR SR HR AR LR DM <b>R:</b> IR HR AR LR DM
<b>ARITHMETIC SHIFT LEFT</b> (@)ASL(25)		Each bit within a single word of data (Wd) is shifted one bit to the left, with zero written to bit 00 and bit 15 moving to CY.  	<b>Wd:</b> IR HR AR LR DM

**Data Areas**

These footnote tables show the actual ranges of all data areas. Bit numbers are provided (except for DM and TC areas); remove the rightmost two digits for word numbers.

IR	SR	HR	TR	AR	LR	TC	DM	#
00000 to 23515	23600 to 25507	HR 0000 to 9915	TR 0 to 7	AR 0000 to 2715	LR 0000 to 6315	TC 000 to 511	Read/Wr: DM 0000 to DM 0999 Rd only: DM 1000 to DM 1999	0000 to 9999 or 0000 to FFFF

Name Mnemonic	Symbol	Function	Operand Data Areas
<b>ARITHMETIC SHIFT RIGHT</b> (@)ASR(26)		Each bit within a single word of data (Wd) is shifted one bit to the right, with zero written to bit 15 and bit 00 moving to CY. 	<b>Wd:</b> IR HR AR LR DM
<b>ROTATE LEFT</b> (@)ROL(27)		Each bit within a single word of data (Wd) is moved one bit to the left, with bit 15 moving to carry (CY), and CY moving to bit 00. 	<b>Wd:</b> IR HR AR LR DM
<b>ROTATE RIGHT</b> (@)ROR(28)		Each bit within a single word of data (Wd) is moved one bit to the right, with bit 00 moving to carry (CY), and CY moving to bit 15. 	<b>Wd:</b> IR HR AR LR DM
<b>COMPLEMENT</b> (@)COM(29)		Inverts bit status of one word (Wd) of data, changing 0s to 1s, and vice versa. 	<b>Wd:</b> IR HR AR LR DM
<b>BCD ADD</b> (@)ADD(30)		Adds two 4-digit BCD values (Au and Ad) and content of CY, and outputs the result to the specified result word (R). $Au + Ad + \text{CY} \rightarrow R \text{ CY}$	<b>Au/Ad:</b> IR SR HR AR LR TC DM # <b>R:</b> IR HR AR LR DM
<b>BCD SUBTRACT</b> (@)SUB(31)		Subtracts both the 4-digit BCD subtrahend (Su) and content of CY, from the 4-digit BCD minuend (Mi) and outputs the result to the specified result word (R). $Mi - Su - \text{CY} \rightarrow R \text{ CY}$	<b>Mi/Su:</b> IR SR HR AR LR TC DM # <b>R:</b> IR HR AR LR DM
<b>BCD MULTIPLY</b> (@)MUL(32)		Multiplies the 4-digit BCD multiplicand (Md) and 4-digit BCD multiplier (Mr), and outputs the result to the specified result words (R and R + 1). R and R + 1 must be in the same data area. $Md \times Mr \rightarrow R + 1 \quad R$	<b>Md/Mr:</b> IR SR HR AR LR TC DM # <b>R:</b> IR HR AR LR DM

**Data Areas**

These footnote tables show the actual ranges of all data areas. Bit numbers are provided (except for DM and TC areas); remove the rightmost two digits for word numbers.

IR	SR	HR	TR	AR	LR	TC	DM	#
0000 to 23515	23600 to 25507	HR 0000 to 9915	TR 0 to 7	AR 0000 to 2715	LR 0000 to 6315	TC 000 to 511	Read/Wr: DM 0000 to DM 0999 Rd only: DM 1000 to DM 1999	0000 to 9999 or 0000 to FFFF

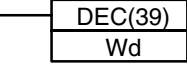



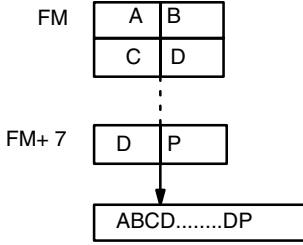
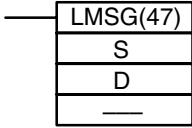
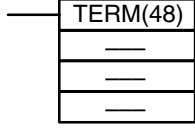


Name Mnemonic	Symbol	Function	Operand Data Areas
<b>BCD DIVIDE</b> (@)DIV(33)		Divides the 4-digit BCD dividend (Dd) by the 4-digit BCD divisor (Dr), and outputs the result to the specified result words. R receives the quotient; R + 1 receives the remainder. R and R + 1 must be in the same data area.  $Dd \div Dr \rightarrow \boxed{R + 1} \quad \boxed{R}$	<b>Dd/Dr:</b> IR SR HR AR LR TC DM # <b>R:</b> IR HR AR LR DM
<b>LOGICAL AND</b> (@)ANDW(34)		Logically ANDs two 16-bit input words (I1 and I2) and sets the bits in the result word (R) if the corresponding bits in the input words are both ON.	<b>I1/I2:</b> IR SR HR AR LR TC DM # <b>R:</b> IR HR AR LR DM
<b>LOGICAL OR</b> (@)ORW(35)		Logically ORs two 16-bit input words (I1 and I2) and sets the bits in the result word (R) when one or both of the corresponding bits in the input words is/are ON.	<b>I1/I2:</b> IR SR HR AR LR TC DM # <b>R:</b> IR HR AR LR DM
<b>EXCLUSIVE OR</b> (@)XORW(36)		Exclusively ORs two 16-bit input words (I1 and I2) and sets the bits in the result word (R) when the corresponding bits in input words differ in status.	<b>I1/I2:</b> IR SR HR AR LR TC DM # <b>R:</b> IR HR AR LR DM
<b>EXCLUSIVE NOR</b> (@)XNRW(37)		Exclusively NORs two 16-bit input words (I1 and I2) and sets the bits in the result word (R) when the corresponding bits in both input words have the same status.	<b>I1/I2:</b> IR SR HR AR LR TC DM # <b>R:</b> IR HR AR LR DM
<b>INCREMENT</b> (@)INC(38)		Increments the value of a 4-digit BCD word (Wd) by one, without affecting carry (CY).	<b>Wd:</b> IR HR AR LR DM

**Data Areas**

These footnote tables show the actual ranges of all data areas. Bit numbers are provided (except for DM and TC areas); remove the rightmost two digits for word numbers.

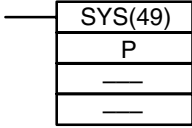
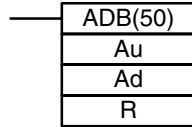
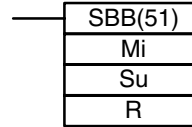
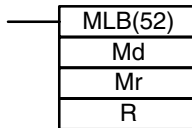
IR	SR	HR	TR	AR	LR	TC	DM	#
00000 to 23515	23600 to 25507	HR 0000 to 9915	TR 0 to 7	AR 0000 to 2715	LR 0000 to 6315	TC 000 to 511	Read/Wr: DM 0000 to DM 0999 Rd only: DM 1000 to DM 1999	0000 to 9999 or 0000 to FFFF

Name Mnemonic	Symbol	Function	Operand Data Areas
<b>DECREMENT</b> (@)DEC(39)		Decrements the value of a 4-digit BCD word by 1, without affecting carry (CY).	<b>Wd:</b> IR HR AR LR DM
<b>SET CARRY</b> (@)STC(40)		Sets the Carry Flag (i.e., turns CY ON).	None
<b>CLEAR CARRY</b> (@)CLC(41)		Clears the Carry Flag (i.e., turns CY OFF).	None
<b>DISPLAY MESSAGE</b> (@)MSG(46)		Displays eight words of ASCII code, starting from FM, on the Programming Console or GPC. All eight words must be in the same data area.  	<b>FM:</b> IR HR AR LR TC DM #
<b>LONG MESSAGE</b> (@)LMSG(47) (CPU11-E)		Outputs a 32-character message to either a Programming Console, or a device connected via the RS-232C interface. The output message must be in ASCII beginning at address S. The destination of the message is designated in D: 000 specifies that the message is to be output to the GPC; 001 specifies the RS-232C interface, starting with the leftmost byte; and 002 specifies the RS-232C interface, starting from the rightmost byte.	<b>S:</b> IR HR AR LR TC DM <b>D:</b> —: #000 Not used. #001 #002
<b>TERMINAL MODE</b> (@)TERM(48) (CPU11-E)		When the execution condition is ON, the Programming Console operation mode is changed to TERMINAL mode. There is no program command available to change the mode back to CONSOLE mode. Pressing the CHNG key on the Programming Console manually toggles between the two modes.	None

**Data Areas**

These footnote tables show the actual ranges of all data areas. Bit numbers are provided (except for DM and TC areas); remove the rightmost two digits for word numbers.

IR	SR	HR	TR	AR	LR	TC	DM	#
00000 to 23515	23600 to 25507	HR 0000 to 9915	TR 0 to 7	AR 0000 to 2715	LR 0000 to 6315	TC 000 to 511	Read/Wr: DM 0000 to DM 0999 Rd only: DM 1000 to DM 1999	0000 to 9999 or 0000 to FFFF

Name Mnemonic	Symbol	Function	Operand Data Areas
<b>SET SYSTEM</b> (@)SYS(49) (CPU11-E)		Used to either control certain operating parameters, or to execute the system commands that can be executed from the AR area. The contents of the leftmost 8 bits (i.e., bits 08 to 15) of P determine which function SYS(49) will have. If they contain A3, then bit 00 specifies whether the battery will be checked, and bit 07 specifies whether I/O status will be maintained on start up. Bit 06 specifies whether the Force Status Hold Bit is set. To be effective SYS(49) must be programmed at address 00001 with LD AR 1001 at address 00000.	<b>P:</b> —; # Not used.
<b>BINARY ADD</b> (@)ADB(50)		Adds the 4-digit augend (Au), 4-digit addend (Ad), and content of CY and outputs the result to the specified result word (R). $\begin{array}{r} \text{Au} \\ + \text{Ad} \\ + \text{CY} \\ \hline \text{R} \\ \text{CY} \end{array}$	<b>Au/Ad:</b> IR SR HR AR LR TC DM # <b>R:</b> IR HR AR LR DM
<b>BINARY SUBTRACT</b> (@)SBB(51)		Subtracts the 4-digit hexadecimal subtrahend (Su) and content of carry, from the 4-digit hexadecimal minuend (Mi), and outputs the result to the specified result word (R). $\begin{array}{r} \text{Mi} \\ - \text{Su} \\ - \text{CY} \\ \hline \text{R} \\ \text{CY} \end{array}$	<b>Mi/Su:</b> IR SR HR AR LR TC DM # <b>R:</b> IR HR AR LR DM
<b>BINARY MULTIPLY</b> (@)MLB(52)		Multiplies the 4-digit hexadecimal multiplicand (Md) and 4-digit multiplier (Mr), and outputs the 8-digit hexadecimal result to the specified result words (R and R+1). R and R+1 must be in the same data area. $\begin{array}{r} \text{Md} \\ \times \text{Mr} \\ \hline \text{Quotient } \text{R} \\ \text{Remainder } \text{R+1} \end{array}$	<b>Md/Mr:</b> IR SR HR AR LR TC DM # <b>R:</b> IR HR AR LR DM

**Data Areas**

These footnote tables show the actual ranges of all data areas. Bit numbers are provided (except for DM and TC areas); remove the rightmost two digits for word numbers.

IR	SR	HR	TR	AR	LR	TC	DM	#
00000 to 23515	23600 to 25507	HR 0000 to 9915	TR 0 to 7	AR 0000 to 2715	LR 0000 to 6315	TC 000 to 511	Read/Wr: DM 0000 to DM 0999 Rd only: DM 1000 to DM 1999	0000 to 9999 or 0000 to FFFF

Name Mnemonic	Symbol	Function	Operand Data Areas				
<b>BINARY DIVIDE</b> (@)DVB(53)	<table border="1"> <tr><td>DVB(53)</td></tr> <tr><td>Dd</td></tr> <tr><td>Dr</td></tr> <tr><td>R</td></tr> </table>	DVB(53)	Dd	Dr	R	<p>Divides the 4-digit hexadecimal dividend (Dd) by the 4-digit divisor (Dr), and outputs result to the designated result words ( R and R + 1). R and R + 1 must be in the same data area.</p> $\begin{array}{r} \text{D} \\ \text{d} \\ \text{Dr} \\ \hline \text{Quotient } \boxed{R} \\ \text{Remainder } \boxed{R+1} \end{array}$	<p><b>Dd/Dr:</b> IR, SR, HR, AR, LR, TC, DM, #</p> <p><b>R:</b> IR, HR, AR, LR</p>
DVB(53)							
Dd							
Dr							
R							
<b>DOUBLE BCD ADD</b> (@)ADDL(54)	<table border="1"> <tr><td>ADDL(54)</td></tr> <tr><td>Au</td></tr> <tr><td>Ad</td></tr> <tr><td>R</td></tr> </table>	ADDL(54)	Au	Ad	R	<p>Adds two 8-digit values (2 words each) and the content of CY, and outputs the result to the specified result words. All words for any one operand must be in the same data area.</p> $\begin{array}{r} \boxed{Au+1} \quad \boxed{Au} \\ + \quad \boxed{Ad+1} \quad \boxed{Ad} \\ + \quad \quad \quad \boxed{CY} \\ \hline \boxed{CY} \quad \boxed{R+1} \quad \boxed{R} \end{array}$	<p><b>Au/Ad:</b> IR, SR, HR, AR, LR, TC, DM</p> <p><b>R:</b> IR, HR, AR, LR, DM</p>
ADDL(54)							
Au							
Ad							
R							
<b>DOUBLE BCD SUBTRACT</b> (@)SUBL(55)	<table border="1"> <tr><td>SUBL(55)</td></tr> <tr><td>Mi</td></tr> <tr><td>Su</td></tr> <tr><td>R</td></tr> </table>	SUBL(55)	Mi	Su	R	<p>Subtracts both the 8-digit BCD subtrahend and the content of CY from an 8-digit BCD minuend, and outputs the result to the specified result words. All words for any one operand must be in the same data area.</p> $\begin{array}{r} \boxed{Mi+1} \quad \boxed{Mi} \\ - \quad \boxed{Su+1} \quad \boxed{Su} \\ - \quad \quad \quad \boxed{CY} \\ \hline \boxed{CY} \quad \boxed{R+1} \quad \boxed{R} \end{array}$	<p><b>Mi/Su:</b> IR, SR, HR, AR, LR, TC, DM</p> <p><b>R:</b> IR, HR, AR, LR, DM</p>
SUBL(55)							
Mi							
Su							
R							

**Data Areas**

These footnote tables show the actual ranges of all data areas. Bit numbers are provided (except for DM and TC areas); remove the rightmost two digits for word numbers.

IR	SR	HR	TR	AR	LR	TC	DM	#
00000 to 23515	23600 to 25507	HR 0000 to 9915	TR 0 to 7	AR 0000 to 2715	LR 0000 to 6315	TC 000 to 511	Read/Wr: DM 0000 to DM 0999 Rd only: DM 1000 to DM 1999	0000 to 9999 or 0000 to FFFF

Name Mnemonic	Symbol	Function	Operand Data Areas
<b>DOUBLE BCD MULTIPLY</b> (@)MULL(56)		<p>Multiplies the 8-digit BCD multiplicand and 8-digit BCD multiplier, and outputs the result to the specified result words. All words for any one operand must be in the same data area.</p>	<p><b>Md/Mr:</b> IR, SR, HR, AR, LR, TC, DM  <b>R:</b> IR, HR, AR, LR, DM</p>
<b>DOUBLE BCD DIVIDE</b> (@)DIVL(57)		<p>Divides the 8-digit BCD dividend by an 8-digit BCD divisor, and outputs the result to the specified result words. All words for any one operand must be in the same data area.</p>	<p><b>Dd/Dr:</b> IR, SR, HR, AR, LR, TC, DM  <b>R:</b> IR, HR, AR, LR, DM</p>
<b>DOUBLE BCD-TO-DOUBLE BINARY</b> (@)BINL(58)		<p>Converts the BCD value of the two source words (S: starting word) into binary and outputs the converted data to the two result words (R: starting word). All words for any one operand must be in the same data area.</p>	<p><b>S:</b> IR, SR, HR, AR, LR, TC, DM  <b>R:</b> IR, HR, AR, LR, DM</p>

**Data Areas**

These footnote tables show the actual ranges of all data areas. Bit numbers are provided (except for DM and TC areas); remove the rightmost two digits for word numbers.

IR	SR	HR	TR	AR	LR	TC	DM	#
00000 to 23515	23600 to 25507	HR 0000 to 9915	TR 0 to 7	AR 0000 to 2715	LR 0000 to 6315	TC 000 to 511	Read/Wr: DM 0000 to DM 0999 Rd only: DM 1000 to DM 1999	0000 to 9999 or 0000 to FFFF

Name Mnemonic	Symbol	Function	Operand Data Areas																											
<b>DOUBLE BINARY-TO-DOUBLE BCD</b> (@)BCDL(59)		<p>Converts the binary value of the two source words (S: starting word) into eight digits of BCD data, and outputs the converted data to the two result words (R: starting result word). Both words for any one operand must be in the same data area.</p>	<table border="0"> <tr> <td><b>S:</b></td> <td><b>R:</b></td> </tr> <tr> <td>IR</td> <td>IR</td> </tr> <tr> <td>SR</td> <td>HR</td> </tr> <tr> <td>HR</td> <td>AR</td> </tr> <tr> <td>AR</td> <td>LR</td> </tr> <tr> <td>LR</td> <td>DM</td> </tr> </table>	<b>S:</b>	<b>R:</b>	IR	IR	SR	HR	HR	AR	AR	LR	LR	DM															
<b>S:</b>	<b>R:</b>																													
IR	IR																													
SR	HR																													
HR	AR																													
AR	LR																													
LR	DM																													
<b>DOUBLE COMPARE</b> CMPL(60) (CPU11-E)		<p>Compares the 8-digit hexadecimal values in words S<sub>1</sub>+1 and S<sub>1</sub> with the values in S<sub>2</sub>+1 and S<sub>2</sub>, and indicates the result using the Greater Than, Less Than, and Equal Flags in the AR area. S<sub>1</sub>+1 and S<sub>2</sub>+1 are regarded as the most significant data in each pair of words.</p>	<table border="0"> <tr> <td><b>S<sub>1</sub>,S<sub>2</sub>:</b></td> </tr> <tr> <td>IR</td> </tr> <tr> <td>SR</td> </tr> <tr> <td>HR</td> </tr> <tr> <td>AR</td> </tr> <tr> <td>LR</td> </tr> <tr> <td>TC</td> </tr> <tr> <td>DM</td> </tr> </table>	<b>S<sub>1</sub>,S<sub>2</sub>:</b>	IR	SR	HR	AR	LR	TC	DM																			
<b>S<sub>1</sub>,S<sub>2</sub>:</b>																														
IR																														
SR																														
HR																														
AR																														
LR																														
TC																														
DM																														
<b>COLUMN-TO-WORD</b> (@)CTW(63) (CPU11-E)		<p>Fetches data from the same numbered bit (C) in 16 consecutive words (where S is the address of the first source word), and creates a 4-digit word by consecutively placing the data in the bits of the destination word, D.</p> <p>The bit from word S is placed into bit 00 of D, the bit from word S+1 is placed into bit 01, etc.</p>	<table border="0"> <tr> <td><b>S:</b></td> <td><b>C:</b></td> <td><b>D:</b></td> </tr> <tr> <td>IR</td> <td>IR</td> <td>IR</td> </tr> <tr> <td>SR</td> <td>SR</td> <td>SR</td> </tr> <tr> <td>HR</td> <td>HR</td> <td>HR</td> </tr> <tr> <td>AR</td> <td>AR</td> <td>AR</td> </tr> <tr> <td>LR</td> <td>LR</td> <td>LR</td> </tr> <tr> <td>TC</td> <td>TC</td> <td>TC</td> </tr> <tr> <td>DM</td> <td>DM</td> <td>DM</td> </tr> <tr> <td></td> <td>#</td> <td></td> </tr> </table>	<b>S:</b>	<b>C:</b>	<b>D:</b>	IR	IR	IR	SR	SR	SR	HR	HR	HR	AR	AR	AR	LR	LR	LR	TC	TC	TC	DM	DM	DM		#	
<b>S:</b>	<b>C:</b>	<b>D:</b>																												
IR	IR	IR																												
SR	SR	SR																												
HR	HR	HR																												
AR	AR	AR																												
LR	LR	LR																												
TC	TC	TC																												
DM	DM	DM																												
	#																													

**Data Areas**

These footnote tables show the actual ranges of all data areas. Bit numbers are provided (except for DM and TC areas); remove the rightmost two digits for word numbers.

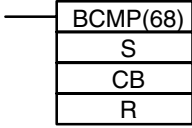
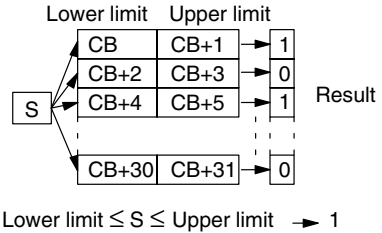
IR	SR	HR	TR	AR	LR	TC	DM	#
00000 to 23515	23600 to 25507	HR 0000 to 9915	TR 0 to 7	AR 0000 to 2715	LR 0000 to 6315	TC 000 to 511	Read/Wr: DM 0000 to DM 0999 Rd only: DM 1000 to DM 1999	0000 to 9999 or 0000 to FFFF

Name Mnemonic	Symbol	Function	Operand Data Areas																											
<b>WORD-TO-COLUMN</b> (@)WTC(64) (CPU11-E)		<p>Places bit data from the source word (S), consecutively into the same numbered bits of the 16 consecutive destination words (where D is the address of the first destination word). Bit 00 from word S is placed into bit C of word D, bit 01 from word S is placed into bit C of word D+1, etc.</p>	<table border="0"> <tr> <td><b>S:</b></td> <td><b>D:</b></td> <td><b>C:</b></td> </tr> <tr> <td>IR</td> <td>IR</td> <td>IR</td> </tr> <tr> <td>SR</td> <td>SR</td> <td>SR</td> </tr> <tr> <td>HR</td> <td>HR</td> <td>HR</td> </tr> <tr> <td>AR</td> <td>AR</td> <td>AR</td> </tr> <tr> <td>LR</td> <td>LR</td> <td>LR</td> </tr> <tr> <td>TC</td> <td>TC</td> <td>TC</td> </tr> <tr> <td>DM</td> <td>DM</td> <td>DM</td> </tr> <tr> <td></td> <td></td> <td>#</td> </tr> </table>	<b>S:</b>	<b>D:</b>	<b>C:</b>	IR	IR	IR	SR	SR	SR	HR	HR	HR	AR	AR	AR	LR	LR	LR	TC	TC	TC	DM	DM	DM			#
<b>S:</b>	<b>D:</b>	<b>C:</b>																												
IR	IR	IR																												
SR	SR	SR																												
HR	HR	HR																												
AR	AR	AR																												
LR	LR	LR																												
TC	TC	TC																												
DM	DM	DM																												
		#																												
<b>HOURS-TO-SECONDS</b> (@)HTS(65) (CPU11-E)		<p>Converts a time given in hours/minutes/seconds (S and S+1) to an equivalent time in seconds only (R and R+1). S and S+1 must be BCD and within one data area. R and R+1 must also be within one data area.</p>	<table border="0"> <tr> <td><b>S:</b></td> <td><b>R:</b></td> <td><b>—:</b></td> </tr> <tr> <td>IR</td> <td>IR</td> <td>Not used.</td> </tr> <tr> <td>SR</td> <td>SR</td> <td></td> </tr> <tr> <td>HR</td> <td>HR</td> <td></td> </tr> <tr> <td>AR</td> <td>AR</td> <td></td> </tr> <tr> <td>LR</td> <td>LR</td> <td></td> </tr> <tr> <td>TC</td> <td>TC</td> <td></td> </tr> <tr> <td>DM</td> <td>DM</td> <td></td> </tr> </table>	<b>S:</b>	<b>R:</b>	<b>—:</b>	IR	IR	Not used.	SR	SR		HR	HR		AR	AR		LR	LR		TC	TC		DM	DM				
<b>S:</b>	<b>R:</b>	<b>—:</b>																												
IR	IR	Not used.																												
SR	SR																													
HR	HR																													
AR	AR																													
LR	LR																													
TC	TC																													
DM	DM																													
<b>SECONDS-TO-HOURS</b> (@)STH(66) (CPU11-E)		<p>Converts a time given in seconds (S and S+1) to an equivalent time in hours/minutes/seconds (R and R+1). S and S+1 must be BCD between 0 and 35,999,999, and within the same data area. R and R+1 must also be within one data area.</p>	<table border="0"> <tr> <td><b>S:</b></td> <td><b>R:</b></td> <td><b>—:</b></td> </tr> <tr> <td>IR</td> <td>IR</td> <td>Not used.</td> </tr> <tr> <td>SR</td> <td>SR</td> <td></td> </tr> <tr> <td>HR</td> <td>HR</td> <td></td> </tr> <tr> <td>AR</td> <td>AR</td> <td></td> </tr> <tr> <td>LR</td> <td>LR</td> <td></td> </tr> <tr> <td>TC</td> <td>TC</td> <td></td> </tr> <tr> <td>DM</td> <td>DM</td> <td></td> </tr> </table>	<b>S:</b>	<b>R:</b>	<b>—:</b>	IR	IR	Not used.	SR	SR		HR	HR		AR	AR		LR	LR		TC	TC		DM	DM				
<b>S:</b>	<b>R:</b>	<b>—:</b>																												
IR	IR	Not used.																												
SR	SR																													
HR	HR																													
AR	AR																													
LR	LR																													
TC	TC																													
DM	DM																													
<b>BIT COUNTER</b> (@)BCNT(67)		<p>Counts the number of ON bits in one or more words (SB is the beginning source word) and outputs the result to the specified result word (R). N gives the number of words to be counted. All words in which bit are to be counted must be in the same data area.</p>	<table border="0"> <tr> <td><b>N:</b></td> <td><b>R:</b></td> <td><b>SB:</b></td> </tr> <tr> <td>IR</td> <td>IR</td> <td>IR</td> </tr> <tr> <td>SR</td> <td>HR</td> <td>SR</td> </tr> <tr> <td>HR</td> <td>AR</td> <td>HR</td> </tr> <tr> <td>AR</td> <td>LR</td> <td>AR</td> </tr> <tr> <td>LR</td> <td>TC</td> <td>LR</td> </tr> <tr> <td>TC</td> <td>DM</td> <td>TC</td> </tr> <tr> <td>DM</td> <td></td> <td>DM</td> </tr> </table>	<b>N:</b>	<b>R:</b>	<b>SB:</b>	IR	IR	IR	SR	HR	SR	HR	AR	HR	AR	LR	AR	LR	TC	LR	TC	DM	TC	DM		DM			
<b>N:</b>	<b>R:</b>	<b>SB:</b>																												
IR	IR	IR																												
SR	HR	SR																												
HR	AR	HR																												
AR	LR	AR																												
LR	TC	LR																												
TC	DM	TC																												
DM		DM																												

**Data Areas**

These footnote tables show the actual ranges of all data areas. Bit numbers are provided (except for DM and TC areas); remove the rightmost two digits for word numbers.

IR	SR	HR	TR	AR	LR	TC	DM	#
00000 to 23515	23600 to 25507	HR 0000 to 9915	TR 0 to 7	AR 0000 to 2715	LR 0000 to 6315	TC 000 to 511	Read/Wr: DM 0000 to DM 0999 Rd only: DM 1000 to DM 1999	0000 to 9999 or 0000 to FFFF

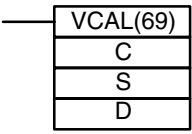
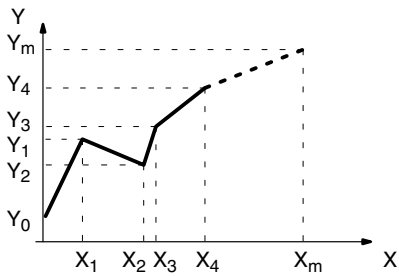
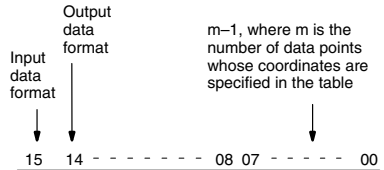
Name Mnemonic	Symbol	Function	Operand Data Areas																											
<b>BLOCK COMPARE</b> (@)BCMP(68)		<p>Compares a 1-word binary value (S) with the 16 ranges given in the comparison table (CB is the starting word of the comparison block). If the value falls within any of the ranges, the corresponding bits in the result word (R) will be set. The comparison block must be within one data area.</p>  <p style="text-align: center;">Lower limit ≤ S ≤ Upper limit → 1</p>	<table border="0"> <tr> <td><b>S:</b></td> <td><b>CB:</b></td> <td><b>R:</b></td> </tr> <tr> <td>IR</td> <td>IR</td> <td>IR</td> </tr> <tr> <td>SR</td> <td>SR</td> <td>HR</td> </tr> <tr> <td>HR</td> <td>HR</td> <td>AR</td> </tr> <tr> <td>AR</td> <td>LR</td> <td>LR</td> </tr> <tr> <td>LR</td> <td>TC</td> <td>TC</td> </tr> <tr> <td>TC</td> <td>DM</td> <td>DM</td> </tr> <tr> <td>DM</td> <td></td> <td></td> </tr> <tr> <td>#</td> <td></td> <td></td> </tr> </table>	<b>S:</b>	<b>CB:</b>	<b>R:</b>	IR	IR	IR	SR	SR	HR	HR	HR	AR	AR	LR	LR	LR	TC	TC	TC	DM	DM	DM			#		
<b>S:</b>	<b>CB:</b>	<b>R:</b>																												
IR	IR	IR																												
SR	SR	HR																												
HR	HR	AR																												
AR	LR	LR																												
LR	TC	TC																												
TC	DM	DM																												
DM																														
#																														

**Data Areas**

These footnote tables show the actual ranges of all data areas. Bit numbers are provided (except for DM and TC areas); remove the rightmost two digits for word numbers.

IR	SR	HR	TR	AR	LR	TC	DM	#
00000 to 23515	23600 to 25507	HR 0000 to 9915	TR 0 to 7	AR 0000 to 2715	LR 0000 to 6315	TC 000 to 511	Read/Wr: DM 0000 to DM 0999 Rd only: DM 1000 to DM 1999	0000 to 9999 or 0000 to FFFF



Name Mnemonic	Symbol	Function	Operand Data Areas																				
<p><b>VALUE CALCULATE</b> (@)VCAL(69) (CPU11-E)</p>		<p>Calculates the cosine, or sine of the given degree value, or determines the y-coordinate of the given x value in a previously established line graph. For the sine and cosine conversions, S is entered in BCD as an angle (in the range 0.0 to 90.0 degrees). When calculating the y-coordinate in a graph, S gives the address of the value of the x-coordinate. The calculated data is transferred to the destination word (D). Sine and cosine results are given in BCD. Line graph coordinate calculations (interpolation) can be in BCD or BIN.</p> <p>The data in the control word (C) determines which operation is performed. If C is entered as a constant with a value of 0000 or 0001, the sine or cosine, respectively, of the source data value is calculated. If C is entered as a word designation, it gives the address of the first word of the data table for the line graph. The value of the first two digits gives m-1, where m is the number of data points for which coordinates are given on the line graph. Bits 14 and 15, respectively, specify the output and input data formats (0 indicates BCD, 1 indicates binary).</p>   <table border="1" data-bbox="742 1386 1189 1806"> <tr> <td>C</td> <td>000000</td> </tr> <tr> <td>C+1</td> <td>X<sub>m</sub> (max. x-coordinate for this table)</td> </tr> <tr> <td>C+2</td> <td>Y<sub>0</sub></td> </tr> <tr> <td>C+3</td> <td>X<sub>1</sub></td> </tr> <tr> <td>C+4</td> <td>Y<sub>1</sub></td> </tr> <tr> <td>C+5</td> <td>X<sub>2</sub></td> </tr> <tr> <td>C+6</td> <td>Y<sub>2</sub></td> </tr> <tr> <td>⋮</td> <td>⋮</td> </tr> <tr> <td>C+(2m+1)</td> <td>X<sub>m</sub></td> </tr> <tr> <td>C+(2m+2)</td> <td>Y<sub>m</sub></td> </tr> </table>	C	000000	C+1	X <sub>m</sub> (max. x-coordinate for this table)	C+2	Y <sub>0</sub>	C+3	X <sub>1</sub>	C+4	Y <sub>1</sub>	C+5	X <sub>2</sub>	C+6	Y <sub>2</sub>	⋮	⋮	C+(2m+1)	X <sub>m</sub>	C+(2m+2)	Y <sub>m</sub>	<p><b>C:</b> IR, SR, HR, AR, LR, TC, DM, #</p> <p><b>S:</b> IR, SR, HR, AR, LR, TC, DM</p> <p><b>D:</b> IR, SR, HR, AR, LR, TC, DM</p>
C	000000																						
C+1	X <sub>m</sub> (max. x-coordinate for this table)																						
C+2	Y <sub>0</sub>																						
C+3	X <sub>1</sub>																						
C+4	Y <sub>1</sub>																						
C+5	X <sub>2</sub>																						
C+6	Y <sub>2</sub>																						
⋮	⋮																						
C+(2m+1)	X <sub>m</sub>																						
C+(2m+2)	Y <sub>m</sub>																						

**Data Areas**

These footnote tables show the actual ranges of all data areas. Bit numbers are provided (except for DM and TC areas); remove the rightmost two digits for word numbers.

IR	SR	HR	TR	AR	LR	TC	DM	#
00000 to 23515	23600 to 25507	HR 0000 to 9915	TR 0 to 7	AR 0000 to 2715	LR 0000 to 6315	TC 000 to 511	Read/Wr: DM 0000 to DM 0999 Rd only: DM 1000 to DM 1999	0000 to 9999 or 0000 to FFFF

Name Mnemonic	Symbol	Function	Operand Data Areas																											
<b>BLOCK TRANSFER</b> (@)XFER(70)		<p>Moves the content of several consecutive source words (S gives the address of the starting source word) to consecutive destination words (D is the starting destination word). All source words must be in the same data area, as must all destination words. Transfers can be within one data area or between two data areas, but the source and destination words must not overlap.</p>	<table> <tr> <td><b>N:</b></td> <td><b>S :</b></td> <td><b>D:</b></td> </tr> <tr> <td>IR</td> <td>IR</td> <td>IR</td> </tr> <tr> <td>SR</td> <td>HR</td> <td>SR</td> </tr> <tr> <td>HR</td> <td>AR</td> <td>HR</td> </tr> <tr> <td>AR</td> <td>LR</td> <td>AR</td> </tr> <tr> <td>LR</td> <td>TC</td> <td>LR</td> </tr> <tr> <td>TC</td> <td>DM</td> <td>TC</td> </tr> <tr> <td>DM</td> <td></td> <td>DM</td> </tr> <tr> <td>#</td> <td></td> <td>#</td> </tr> </table>	<b>N:</b>	<b>S :</b>	<b>D:</b>	IR	IR	IR	SR	HR	SR	HR	AR	HR	AR	LR	AR	LR	TC	LR	TC	DM	TC	DM		DM	#		#
<b>N:</b>	<b>S :</b>	<b>D:</b>																												
IR	IR	IR																												
SR	HR	SR																												
HR	AR	HR																												
AR	LR	AR																												
LR	TC	LR																												
TC	DM	TC																												
DM		DM																												
#		#																												
<b>BLOCK SET</b> (@)BSET(71)		<p>Copies the content of one word or constant (S) to several consecutive words (from the starting word, St, through to the ending word, E). St and E must be in the same data area.</p>	<table> <tr> <td><b>S/E:</b></td> <td><b>S:</b></td> </tr> <tr> <td>IR</td> <td>IR</td> </tr> <tr> <td>HR</td> <td>SR</td> </tr> <tr> <td>AR</td> <td>HR</td> </tr> <tr> <td>LR</td> <td>AR</td> </tr> <tr> <td>TC</td> <td>LR</td> </tr> <tr> <td>DM</td> <td>TC</td> </tr> <tr> <td></td> <td>DM</td> </tr> <tr> <td></td> <td>#</td> </tr> </table>	<b>S/E:</b>	<b>S:</b>	IR	IR	HR	SR	AR	HR	LR	AR	TC	LR	DM	TC		DM		#									
<b>S/E:</b>	<b>S:</b>																													
IR	IR																													
HR	SR																													
AR	HR																													
LR	AR																													
TC	LR																													
DM	TC																													
	DM																													
	#																													
<b>SQUARE ROOT</b> (@)ROOT(72)		<p>Computes the square root of an 8-digit BCD value (Sq and Sq + 1) and outputs the truncated 4-digit, integer result to the specified result word (R). Sq and Sq + 1 must be in the same data area.</p>	<table> <tr> <td><b>Sq:</b></td> <td><b>R:</b></td> </tr> <tr> <td>IR</td> <td>IR</td> </tr> <tr> <td>SR</td> <td>HR</td> </tr> <tr> <td>HR</td> <td>AR</td> </tr> <tr> <td>AR</td> <td>LR</td> </tr> <tr> <td>LR</td> <td>DM</td> </tr> <tr> <td>TC</td> <td></td> </tr> <tr> <td>DM</td> <td></td> </tr> </table>	<b>Sq:</b>	<b>R:</b>	IR	IR	SR	HR	HR	AR	AR	LR	LR	DM	TC		DM												
<b>Sq:</b>	<b>R:</b>																													
IR	IR																													
SR	HR																													
HR	AR																													
AR	LR																													
LR	DM																													
TC																														
DM																														
<b>DATA EXCHANGE</b> (@)XCHG(73)		<p>Exchanges the contents of two words (E1 and E2).</p>	<table> <tr> <td><b>E1/E2:</b></td> </tr> <tr> <td>IR</td> </tr> <tr> <td>HR</td> </tr> <tr> <td>AR</td> </tr> <tr> <td>LR</td> </tr> <tr> <td>TC</td> </tr> <tr> <td>DM</td> </tr> </table>	<b>E1/E2:</b>	IR	HR	AR	LR	TC	DM																				
<b>E1/E2:</b>																														
IR																														
HR																														
AR																														
LR																														
TC																														
DM																														

**Data Areas**

These footnote tables show the actual ranges of all data areas. Bit numbers are provided (except for DM and TC areas); remove the rightmost two digits for word numbers.

IR	SR	HR	TR	AR	LR	TC	DM	#
00000 to 23515	23600 to 25507	HR 0000 to 9915	TR 0 to 7	AR 0000 to 2715	LR 0000 to 6315	TC 000 to 511	Read/Wr: DM 0000 to DM 0999 Rd only: DM 1000 to DM 1999	0000 to 9999 or 0000 to FFFF

Name Mnemonic	Symbol	Function	Operand Data Areas
<b>ONE DIGIT SHIFT LEFT</b> (@)SLD(74)		<p>Shifts all data, between the starting word (St) and ending word (E), one digit (four bits) to the left, writing zero into the rightmost digit of the starting word. St and E must be in the same data area.</p>	<b>St/E:</b> IR HR AR LR DM
<b>ONE DIGIT SHIFT RIGHT</b> (@)SRD(75)		<p>Shifts all data, between starting word (St) and ending word (E), one digit (four bits) to the right, writing zero into the leftmost digit of the ending word. St and E must be in the same data area.</p>	<b>St/E:</b> IR HR AR LR DM
<b>4-TO-16 DECODER</b> (@)MLPX(76)		<p>Converts up to four hexadecimal digits in the source word (S), into decimal values from 0 to 15, and turns ON the corresponding bit(s) in the result word(s) (R). There is one result word for each converted digit. Digits to be converted are designated by Di. (The rightmost digit specifies the first digit. The next digit to the left gives the number of digits to be converted minus 1. The two leftmost digits are not used.)</p>	<b>S:</b> IR SR HR AR LR TC DM  <b>Di:</b> IR HR AR LR TC DM #  <b>R:</b> IR HR AR LR LR TC DM
<b>16-TO-4 ENCODER</b> (@)DMPX(77)		<p>Determines the position of the leftmost ON bit in the source word(s) (starting word: S) and turns ON the corresponding bit(s) in the specified digit of the result word (R). One digit is used for each source word. Digits to receive the converted values are designated by Di. (The rightmost digit specifies the first digit. The next digit to left gives the number of words to be converted minus 1. The two leftmost digits are not used.)</p>	<b>S:</b> IR SR HR AR LR TC DM  <b>R:</b> IR HR AR LR DM  <b>Di:</b> IR HR AR LR TC DM #

**Data Areas**

These footnote tables show the actual ranges of all data areas. Bit numbers are provided (except for DM and TC areas); remove the rightmost two digits for word numbers.

IR	SR	HR	TR	AR	LR	TC	DM	#
00000 to 23515	23600 to 25507	HR 0000 to 9915	TR 0 to 7	AR 0000 to 2715	LR 0000 to 6315	TC 000 to 511	Read/Wr: DM 0000 to DM 0999 Rd only: DM 1000 to DM 1999	0000 to 9999 or 0000 to FFFF

Name Mnemonic	Symbol	Function	Operand Data Areas																											
<b>7-SEGMENT DECODER</b> (@)SDEC(78)		<p>Converts hexadecimal values from the source word (S) into 7-segment display data. Results are placed in consecutive half-words, starting at the first destination word (D). Di gives digit and destination details. (The rightmost digit gives the first digit to be converted. The next digit to the left gives the number of digits to be converted minus 1. If the next digit is 1, the first converted data is transferred to left half of the first destination word. If it is 0, the transfer is to the right half).</p>	<table> <tr> <td><b>S:</b></td> <td><b>Di:</b></td> <td><b>D:</b></td> </tr> <tr> <td>IR</td> <td>IR</td> <td>IR</td> </tr> <tr> <td>SR</td> <td>HR</td> <td>HR</td> </tr> <tr> <td>HR</td> <td>AR</td> <td>AR</td> </tr> <tr> <td>AR</td> <td>LR</td> <td>LR</td> </tr> <tr> <td>LR</td> <td>TC</td> <td>DM</td> </tr> <tr> <td>TC</td> <td>DM</td> <td></td> </tr> <tr> <td>DM</td> <td>#</td> <td></td> </tr> </table>	<b>S:</b>	<b>Di:</b>	<b>D:</b>	IR	IR	IR	SR	HR	HR	HR	AR	AR	AR	LR	LR	LR	TC	DM	TC	DM		DM	#				
<b>S:</b>	<b>Di:</b>	<b>D:</b>																												
IR	IR	IR																												
SR	HR	HR																												
HR	AR	AR																												
AR	LR	LR																												
LR	TC	DM																												
TC	DM																													
DM	#																													
<b>FLOATING POINT DIVIDE</b> (@)FDIV(79)		<p>Divides one floating point value by another and outputs a floating point result. The rightmost seven digits of each set of two words (eight digits) are used for mantissa, and the leftmost digit is used for the exponent and its sign (Bits 12 to 14 give the exponent value, 0 to 7. If bit 15 is 0, the exponent is positive; if it's 1, the exponent is negative).</p>	<table> <tr> <td><b>Dd/Dr:</b></td> <td><b>R:</b></td> </tr> <tr> <td>IR</td> <td>IR</td> </tr> <tr> <td>SR</td> <td>HR</td> </tr> <tr> <td>HR</td> <td>AR</td> </tr> <tr> <td>AR</td> <td>LR</td> </tr> <tr> <td>LR</td> <td>DM</td> </tr> <tr> <td>TC</td> <td></td> </tr> <tr> <td>DM</td> <td></td> </tr> </table>	<b>Dd/Dr:</b>	<b>R:</b>	IR	IR	SR	HR	HR	AR	AR	LR	LR	DM	TC		DM												
<b>Dd/Dr:</b>	<b>R:</b>																													
IR	IR																													
SR	HR																													
HR	AR																													
AR	LR																													
LR	DM																													
TC																														
DM																														
<b>SINGLE WORD DISTRIBUTE</b> (@)DIST(80)		<p>Moves one word of source data (S) to the destination word whose address is given by the destination base word (DBs) plus offset (Of).</p>	<table> <tr> <td><b>S:</b></td> <td><b>DBs:</b></td> <td><b>Of:</b></td> </tr> <tr> <td>IR</td> <td>IR</td> <td>IR</td> </tr> <tr> <td>SR</td> <td>HR</td> <td>HR</td> </tr> <tr> <td>HR</td> <td>AR</td> <td>AR</td> </tr> <tr> <td>AR</td> <td>LR</td> <td>LR</td> </tr> <tr> <td>LR</td> <td>TC</td> <td>TC</td> </tr> <tr> <td>TC</td> <td>DM</td> <td>DM</td> </tr> <tr> <td>DM</td> <td>#</td> <td>#</td> </tr> <tr> <td>#</td> <td></td> <td></td> </tr> </table>	<b>S:</b>	<b>DBs:</b>	<b>Of:</b>	IR	IR	IR	SR	HR	HR	HR	AR	AR	AR	LR	LR	LR	TC	TC	TC	DM	DM	DM	#	#	#		
<b>S:</b>	<b>DBs:</b>	<b>Of:</b>																												
IR	IR	IR																												
SR	HR	HR																												
HR	AR	AR																												
AR	LR	LR																												
LR	TC	TC																												
TC	DM	DM																												
DM	#	#																												
#																														

**Data Areas**

These footnote tables show the actual ranges of all data areas. Bit numbers are provided (except for DM and TC areas); remove the rightmost two digits for word numbers.

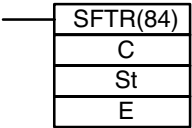
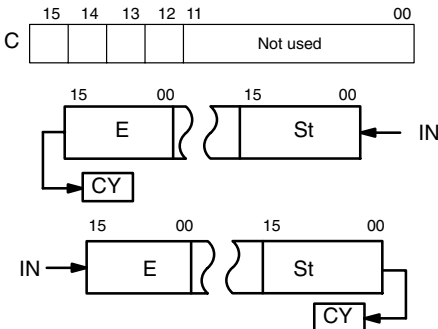
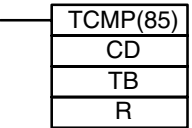
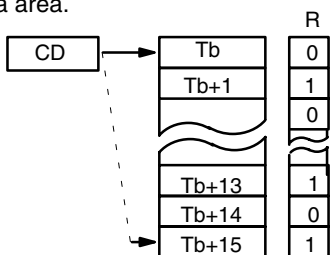
IR	SR	HR	TR	AR	LR	TC	DM	#
00000 to 23515	23600 to 25507	HR 0000 to 9915	TR 0 to 7	AR 0000 to 2715	LR 0000 to 6315	TC 000 to 511	Read/Wr: DM 0000 to DM 0999 Rd only: DM 1000 to DM 1999	0000 to 9999 or 0000 to FFFF

Name Mnemonic	Symbol	Function	Operand Data Areas																											
<b>DATA COLLECT</b> (@)COLL(81)		<p>Extracts data from the source word and writes it to the destination word (D). The source word is determined by adding the offset (Of) to the address of the source base word (SBs).</p>	<table border="0"> <tr> <td><b>SBs:</b></td> <td><b>Of:</b></td> <td><b>D:</b></td> </tr> <tr> <td>IR</td> <td>IR</td> <td>IR</td> </tr> <tr> <td>SR</td> <td>HR</td> <td>HR</td> </tr> <tr> <td>HR</td> <td>AR</td> <td>AR</td> </tr> <tr> <td>AR</td> <td>LR</td> <td>LR</td> </tr> <tr> <td>LR</td> <td>TC</td> <td>TC</td> </tr> <tr> <td>TC</td> <td>DM</td> <td>DM</td> </tr> <tr> <td>DM</td> <td>#</td> <td></td> </tr> </table>	<b>SBs:</b>	<b>Of:</b>	<b>D:</b>	IR	IR	IR	SR	HR	HR	HR	AR	AR	AR	LR	LR	LR	TC	TC	TC	DM	DM	DM	#				
<b>SBs:</b>	<b>Of:</b>	<b>D:</b>																												
IR	IR	IR																												
SR	HR	HR																												
HR	AR	AR																												
AR	LR	LR																												
LR	TC	TC																												
TC	DM	DM																												
DM	#																													
<b>MOVE BIT</b> (@)MOVB(82)		<p>Transfers the designated bit of the source word or constant (S) to the designated bit of the destination word (D). The rightmost two digits of the bit designator (Bi) specify the source bit. The two leftmost digits specify the destination bit.</p>	<table border="0"> <tr> <td><b>S:</b></td> <td><b>Bi:</b></td> <td><b>D:</b></td> </tr> <tr> <td>IR</td> <td>IR</td> <td>IR</td> </tr> <tr> <td>SR</td> <td>HR</td> <td>HR</td> </tr> <tr> <td>HR</td> <td>AR</td> <td>AR</td> </tr> <tr> <td>AR</td> <td>LR</td> <td>LR</td> </tr> <tr> <td>LR</td> <td>TC</td> <td>DM</td> </tr> <tr> <td>DM</td> <td>DM</td> <td>#</td> </tr> <tr> <td>#</td> <td>#</td> <td></td> </tr> </table>	<b>S:</b>	<b>Bi:</b>	<b>D:</b>	IR	IR	IR	SR	HR	HR	HR	AR	AR	AR	LR	LR	LR	TC	DM	DM	DM	#	#	#				
<b>S:</b>	<b>Bi:</b>	<b>D:</b>																												
IR	IR	IR																												
SR	HR	HR																												
HR	AR	AR																												
AR	LR	LR																												
LR	TC	DM																												
DM	DM	#																												
#	#																													
<b>MOVE DIGIT</b> (@)MOVD(83)		<p>Moves hexadecimal content of up to four specified 4-bit source digit(s) from the source word to the specified destination digit(s) (S gives the source word address. D specifies the destination word). Specific digits within the source and destination words are defined by the Digit Designator (Di) digits. (The rightmost digit gives the first source digit. The next digit to the left gives the number of digits to be moved. The next digit specifies the first digit in the destination word.)</p>	<table border="0"> <tr> <td><b>S:</b></td> <td><b>Di:</b></td> <td><b>D:</b></td> </tr> <tr> <td>IR</td> <td>IR</td> <td>IR</td> </tr> <tr> <td>SR</td> <td>HR</td> <td>SR</td> </tr> <tr> <td>HR</td> <td>AR</td> <td>HR</td> </tr> <tr> <td>AR</td> <td>LR</td> <td>AR</td> </tr> <tr> <td>LR</td> <td>TC</td> <td>LR</td> </tr> <tr> <td>TC</td> <td>DM</td> <td>TC</td> </tr> <tr> <td>DM</td> <td>#</td> <td>DM</td> </tr> <tr> <td>#</td> <td></td> <td></td> </tr> </table>	<b>S:</b>	<b>Di:</b>	<b>D:</b>	IR	IR	IR	SR	HR	SR	HR	AR	HR	AR	LR	AR	LR	TC	LR	TC	DM	TC	DM	#	DM	#		
<b>S:</b>	<b>Di:</b>	<b>D:</b>																												
IR	IR	IR																												
SR	HR	SR																												
HR	AR	HR																												
AR	LR	AR																												
LR	TC	LR																												
TC	DM	TC																												
DM	#	DM																												
#																														

**Data Areas**

These footnote tables show the actual ranges of all data areas. Bit numbers are provided (except for DM and TC areas); remove the rightmost two digits for word numbers.

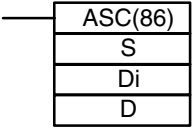
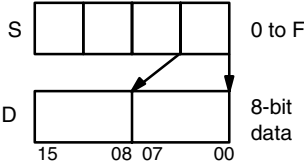
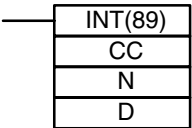
IR	SR	HR	TR	AR	LR	TC	DM	#
00000 to 23515	23600 to 25507	HR 0000 to 9915	TR 0 to 7	AR 0000 to 2715	LR 0000 to 6315	TC 000 to 511	Read/Wr: DM 0000 to DM 0999 Rd only: DM 1000 to DM 1999	0000 to 9999 or 0000 to FFFF

Name Mnemonic	Symbol	Function	Operand Data Areas
<b>REVERSIBLE SHIFT REGISTER</b> (@)SFTR(84)		<p>Shifts bits in the specified word or series of words either left or right. Starting (St) and ending words (E) must be specified. Control word (C) contains shift direction, reset input, and data input. (Bit 12: 0 = shift right, 1 = shift left. Bit 13 is the value shifted into the source data, with the bit at the opposite end being moved to CY. Bit 14: 1 = shift enabled, 0 = shift disabled. If bit 15 is ON when SFTR(89) is executed with an ON condition, the entire shift register and CY will be set to zero.) St and E must be in the same data area and St must be less than or equal to E.</p> 	<b>St/E/C:</b> IR HR AR TC LR DM
<b>TABLE COMPARE</b> (@)TCMP(85)		<p>Compares a 4-digit hexadecimal value (CD) with values in table consisting of 16 words (TB: is the first word of the comparison table). If the value of CD falls within any of the comparison ranges, corresponding bits in result word (R) are set (1 for agreement, and 0 for disagreement). The table must be entirely within the one data area.</p>  <p>1: agreement 0: disagreement</p>	<b>CD:</b> IR SR HR AR LR TC DM #  <b>TB/R:</b> IR HR AR LR TC DM

**Data Areas**

These footnote tables show the actual ranges of all data areas. Bit numbers are provided (except for DM and TC areas); remove the rightmost two digits for word numbers.

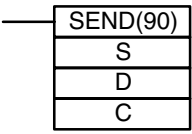
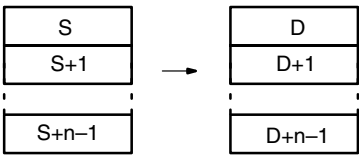
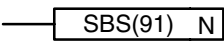
IR	SR	HR	TR	AR	LR	TC	DM	#
00000 to 23515	23600 to 25507	HR 0000 to 9915	TR 0 to 7	AR 0000 to 2715	LR 0000 to 6315	TC 000 to 511	Read/Wr: DM 0000 to DM 0999 Rd only: DM 1000 to DM 1999	0000 to 9999 or 0000 to FFFF

Name Mnemonic	Symbol	Function	Operand Data Areas																																				
<b>ASCII CONVERT</b> (@)ASC(86)		<p>Converts hexadecimal digits from the source word (S) into 8-bit ASCII values, starting at leftmost or rightmost half of the starting destination word (D). The rightmost digit of Di designates the first source digit. The next digit to the left gives the number of digits to be converted. The next digit specifies the whether the data is to be transferred to the rightmost (0) or leftmost (1) half of the first destination word. The leftmost digit specifies parity:</p> <p>0: none, 1: even, or 2: odd.</p> 	<table border="0"> <tr> <td><b>S:</b></td> <td><b>Di:</b></td> <td><b>D:</b></td> </tr> <tr> <td>IR</td> <td>IR</td> <td>IR</td> </tr> <tr> <td>SR</td> <td>HR</td> <td>HR</td> </tr> <tr> <td>HR</td> <td>LR</td> <td>LR</td> </tr> <tr> <td>AR</td> <td>TC</td> <td>DM</td> </tr> <tr> <td>LR</td> <td>DM</td> <td></td> </tr> <tr> <td>TC</td> <td>#</td> <td></td> </tr> <tr> <td>DM</td> <td></td> <td></td> </tr> </table>	<b>S:</b>	<b>Di:</b>	<b>D:</b>	IR	IR	IR	SR	HR	HR	HR	LR	LR	AR	TC	DM	LR	DM		TC	#		DM														
<b>S:</b>	<b>Di:</b>	<b>D:</b>																																					
IR	IR	IR																																					
SR	HR	HR																																					
HR	LR	LR																																					
AR	TC	DM																																					
LR	DM																																						
TC	#																																						
DM																																							
<b>INTERRUPT CONTROL</b> (@)INT(89)		<p>Controls programmed (scheduled) interrupts and interrupts from Interrupt Input Units. Each PC can have up to 4 IIUs. N defines the source of the interrupt: 000 to 003 designate the no. of the IIU; 004 designates a scheduled interrupt. In IIUs, bits 00 to 07 identify the interrupting subroutine, higher bits are not used. Bit 00 of Unit 0 corresponds to interrupt subroutine 00, through to bit 07 of Unit 3 which corresponds to subroutine 31. CC is the control code, the meaning of which depends on the value of N, as follows:</p> <table border="1" data-bbox="746 1276 1181 1822"> <thead> <tr> <th>CC</th> <th>N = 000 to 003</th> <th>N = 004</th> </tr> </thead> <tbody> <tr> <td>000</td> <td>Masks and unmasks interrupt bits for the designated Unit (N) according to the data in D. Bits corresponding to ON bits in D are masked, those corresponding to OFF bits are unmasked. Masked bits are recorded and will be executed when they are unmasked (unless previously cleared).</td> <td>The interrupt time interval is set according to the data in D (00.01 to 99.99 s) The decimal point is not entered. The interrupt is cancelled if D is 00.00.</td> </tr> <tr> <td>001</td> <td>Clears the masked interrupt bits of the designated Unit (N) according to the corresponding ON bits in D. The subroutines corresponding to bits cleared in this manner will not be executed when the bit is unmasked.</td> <td>The time to the first interrupt is set according to the data in D (00.01 to 99.99 s) The decimal point is not entered. The interrupt is cancelled if D is 00.00.</td> </tr> <tr> <td>002</td> <td>Copies the mask status of the designated IIU to D.</td> <td>Copies the time interval data to D.</td> </tr> </tbody> </table>	CC	N = 000 to 003	N = 004	000	Masks and unmasks interrupt bits for the designated Unit (N) according to the data in D. Bits corresponding to ON bits in D are masked, those corresponding to OFF bits are unmasked. Masked bits are recorded and will be executed when they are unmasked (unless previously cleared).	The interrupt time interval is set according to the data in D (00.01 to 99.99 s) The decimal point is not entered. The interrupt is cancelled if D is 00.00.	001	Clears the masked interrupt bits of the designated Unit (N) according to the corresponding ON bits in D. The subroutines corresponding to bits cleared in this manner will not be executed when the bit is unmasked.	The time to the first interrupt is set according to the data in D (00.01 to 99.99 s) The decimal point is not entered. The interrupt is cancelled if D is 00.00.	002	Copies the mask status of the designated IIU to D.	Copies the time interval data to D.	<table border="0"> <tr> <td><b>CC:</b></td> <td><b>N:</b></td> <td><b>D:</b></td> </tr> <tr> <td>000 to 002</td> <td>000 to 004</td> <td>IR</td> </tr> <tr> <td></td> <td></td> <td>HR</td> </tr> <tr> <td></td> <td></td> <td>AR</td> </tr> <tr> <td></td> <td></td> <td>LR</td> </tr> <tr> <td></td> <td></td> <td>TC</td> </tr> <tr> <td></td> <td></td> <td>DM</td> </tr> <tr> <td></td> <td></td> <td>#</td> </tr> </table>	<b>CC:</b>	<b>N:</b>	<b>D:</b>	000 to 002	000 to 004	IR			HR			AR			LR			TC			DM			#
CC	N = 000 to 003	N = 004																																					
000	Masks and unmasks interrupt bits for the designated Unit (N) according to the data in D. Bits corresponding to ON bits in D are masked, those corresponding to OFF bits are unmasked. Masked bits are recorded and will be executed when they are unmasked (unless previously cleared).	The interrupt time interval is set according to the data in D (00.01 to 99.99 s) The decimal point is not entered. The interrupt is cancelled if D is 00.00.																																					
001	Clears the masked interrupt bits of the designated Unit (N) according to the corresponding ON bits in D. The subroutines corresponding to bits cleared in this manner will not be executed when the bit is unmasked.	The time to the first interrupt is set according to the data in D (00.01 to 99.99 s) The decimal point is not entered. The interrupt is cancelled if D is 00.00.																																					
002	Copies the mask status of the designated IIU to D.	Copies the time interval data to D.																																					
<b>CC:</b>	<b>N:</b>	<b>D:</b>																																					
000 to 002	000 to 004	IR																																					
		HR																																					
		AR																																					
		LR																																					
		TC																																					
		DM																																					
		#																																					

**Data Areas**

These footnote tables show the actual ranges of all data areas. Bit numbers are provided (except for DM and TC areas); remove the rightmost two digits for word numbers.

IR	SR	HR	TR	AR	LR	TC	DM	#
00000 to 23515	23600 to 25507	HR 0000 to 9915	TR 0 to 7	AR 0000 to 2715	LR 0000 to 6315	TC 000 to 511	Read/Wr: DM 0000 to DM 0999 Rd only: DM 1000 to DM 1999	0000 to 9999 or 0000 to FFFF

Name Mnemonic	Symbol	Function	Operand Data Areas																								
<b>NETWORK SEND</b> (@)SEND(90) (CPU11-E)		<p>Transfers data from n source words (S is the starting word) to the destination words (D is the first address) in node N of the specified network (in a SYSMAC LINK or NET Link System). The format of the control words varies depending on the type of system. In both types of systems, the first control word (C) gives the number of words to be transferred.</p> <p>For NET Link Systems, in word C+1, bit 14 specifies the system (0 for system 1, and 1 for system 0), and the rightmost 7 bits define the network number. The left half of word C+2 specifies the destination port (00: NSB, 01/02: NSU), and the right half specifies the destination node number. If the destination node number is set to 0, data is transmitted to all nodes.</p> <p>For SYSMAC LINK Systems, the right half of C+1 specifies the response monitoring time (default 00: 2 s, FF: monitoring disabled), the next digit to the left gives the maximum number of re-transmissions (0 to 15) that the PC will attempt if no response signal is received. Bit 13 specifies whether a response is needed (0) or not (1), and bit 14 specifies the system number (0 for system 1, and 1 for system 0). The right half of C+2 gives the destination node number. If this is set to 0, the data will be sent to all nodes.</p> <p><b>NET Link</b></p> <table border="1" data-bbox="753 1092 1177 1218"> <tr> <td>C</td> <td colspan="3">n: no. of words to be transmitted (0 to 1000)</td> </tr> <tr> <td>C+1</td> <td>0X00</td> <td>0000</td> <td>Network no. (0 to 127)</td> </tr> <tr> <td>C+2</td> <td colspan="2">Destination port no.</td> <td>Destination node no. (0 to 126)</td> </tr> </table> <p><b>SYSMAC LINK</b></p> <table border="1" data-bbox="753 1276 1177 1423"> <tr> <td>C</td> <td colspan="3">n: no. of words to be transmitted, 0 to 1000</td> </tr> <tr> <td>C+1</td> <td>0XX0</td> <td>Re-transmissions</td> <td>Response monitor time (0.1 to 25.4 s)</td> </tr> <tr> <td>C+2</td> <td>0000</td> <td>0000</td> <td>Destination node no. (0 to 62)</td> </tr> </table> <p style="text-align: center;">Source N                      Destination node N</p> 	C	n: no. of words to be transmitted (0 to 1000)			C+1	0X00	0000	Network no. (0 to 127)	C+2	Destination port no.		Destination node no. (0 to 126)	C	n: no. of words to be transmitted, 0 to 1000			C+1	0XX0	Re-transmissions	Response monitor time (0.1 to 25.4 s)	C+2	0000	0000	Destination node no. (0 to 62)	<p><b>S:</b>                      IR                      SR                      HR                      AR                      LR                      TC                      DM</p> <p><b>D/C:</b>                      IR                      HR                      AR                      LR                      TC                      DM</p>
C	n: no. of words to be transmitted (0 to 1000)																										
C+1	0X00	0000	Network no. (0 to 127)																								
C+2	Destination port no.		Destination node no. (0 to 126)																								
C	n: no. of words to be transmitted, 0 to 1000																										
C+1	0XX0	Re-transmissions	Response monitor time (0.1 to 25.4 s)																								
C+2	0000	0000	Destination node no. (0 to 62)																								
<b>SUBROUTINE ENTER</b> (@)SBS(91)		Calls subroutine N. Moves program operation to the specified subroutine.	<p><b>N:</b>                      00 to 99</p>																								

**Data Areas**

These footnote tables show the actual ranges of all data areas. Bit numbers are provided (except for DM and TC areas); remove the rightmost two digits for word numbers.

IR	SR	HR	TR	AR	LR	TC	DM	#
00000 to 23515	23600 to 25507	HR 0000 to 9915	TR 0 to 7	AR 0000 to 2715	LR 0000 to 6315	TC 000 to 511	Read/Wr: DM 0000 to DM 0999 Rd only: DM 1000 to DM 1999	0000 to 9999 or 0000 to FFFF

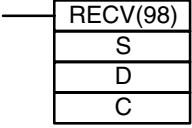
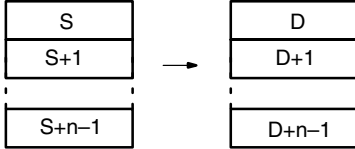


Name Mnemonic	Symbol	Function	Operand Data Areas			
<b>SUBROUTINE START</b> SBN(92)	— <table border="1" style="display: inline-table; vertical-align: middle;"><tr><td>SBN(92)</td><td>N</td></tr></table>	SBN(92)	N	Marks the start of subroutine N.	<b>N:</b> 00 to 99	
SBN(92)	N					
<b>RETURN</b> RET(93)	— <table border="1" style="display: inline-table; vertical-align: middle;"><tr><td>RET(93)</td></tr></table>	RET(93)	Marks the end of a subroutine and returns control to the main program.	None		
RET(93)						
<b>WATCHDOG TIMER REFRESH</b> (@)WDT(94)	— <table border="1" style="display: inline-table; vertical-align: middle;"><tr><td>WDT(94)</td><td>T</td></tr></table>	WDT(94)	T	Sets the maximum and minimum limits for the watchdog timer (normally 0 to 130 ms). New limits: Maximum time = 130 + (100 x T) Minimum time = 130 + (100 x (T-1))	<b>T:</b> 0 to 63	
WDT(94)	T					
<b>I/O REFRESH</b> (@)IORF(97)	— <table border="1" style="display: inline-table; vertical-align: middle;"><tr><td>IORF(97)</td></tr><tr><td>St</td></tr><tr><td>E</td></tr></table>	IORF(97)	St	E	Refreshes all I/O words between the start (St) and end (E) words. Only I/O words may be designated. Normally these words are refreshed only once per cycle, but refreshing words before use in an instruction can increase execution speed. St must be less than or equal to E.	<b>St/E:</b> IR
IORF(97)						
St						
E						

**Data Areas**

These footnote tables show the actual ranges of all data areas. Bit numbers are provided (except for DM and TC areas); remove the rightmost two digits for word numbers.

IR	SR	HR	TR	AR	LR	TC	DM	#
00000 to 23515	23600 to 25507	HR 0000 to 9915	TR 0 to 7	AR 0000 to 2715	LR 0000 to 6315	TC 000 to 511	Read/Wr: DM 0000 to DM 0999 Rd only: DM 1000 to DM 1999	0000 to 9999 or 0000 to FFFF

Name Mnemonic	Symbol	Function	Operand Data Areas																																								
<b>NETWORK RECEIVE</b> (@)RECV(98) (CPU11-E)		<p>Transfers data from the source words (S is the first word) from node N of the specified network (in a SYSMAC LINK or NET Link System) to the destination words starting at D. The format of the control words varies depending on the type of system. In both types of systems, the first control word (C) gives the number of words to be transferred.</p> <p>For NET Link Systems, in the second word (C+1), bit 14 specifies the system (0 for system 1, and 1 for system 0), and the rightmost 7 bits define the network number. The left half of word C+2 specifies the source port (00: NSB, 01/02: NSU), and the right half specifies the source node number.</p> <p>For SYSMAC LINK Systems, the right half of C+1 specifies the response monitoring time (default 00: 2 s, FF: monitoring disabled), the next digit to the left gives the maximum number of re-transmissions (0 to 15) that the PC will attempt if no response signal is received. Bit 13 specifies whether a response is needed (0) or not (1), and bit 14 specifies the system number (0 for system 1, and 1 for system 0). The right half of C+2 gives the source node number.</p> <p><b>NET Link</b></p> <table border="1" data-bbox="746 1031 1182 1157"> <tr> <td>C</td> <td colspan="3">n: no. of words to be transmitted (0 to 1000)</td> </tr> <tr> <td>C+1</td> <td>0X00</td> <td>0000</td> <td>Network no. (0 to 127)</td> </tr> <tr> <td>C+2</td> <td colspan="2">Source port no. (NSB: 00, NSU: 01/02)</td> <td>Source node no. (0 to 126)</td> </tr> </table> <p><b>SYSMAC LINK</b></p> <table border="1" data-bbox="746 1220 1182 1360"> <tr> <td>C</td> <td colspan="3">n: no. of words to be transmitted, 0 to 1000</td> </tr> <tr> <td>C+1</td> <td>0XX0</td> <td>Re-transmissions</td> <td>Response monitor time (0.1 to 25.4 s)</td> </tr> <tr> <td>C+2</td> <td>0000</td> <td>0000</td> <td>Source node no. (0 to 62)</td> </tr> </table> <p>Source node N      Destination node</p> 	C	n: no. of words to be transmitted (0 to 1000)			C+1	0X00	0000	Network no. (0 to 127)	C+2	Source port no. (NSB: 00, NSU: 01/02)		Source node no. (0 to 126)	C	n: no. of words to be transmitted, 0 to 1000			C+1	0XX0	Re-transmissions	Response monitor time (0.1 to 25.4 s)	C+2	0000	0000	Source node no. (0 to 62)	<table border="0"> <tr> <td><b>S:</b></td> <td><b>C/D:</b></td> </tr> <tr> <td>IR</td> <td>IR</td> </tr> <tr> <td>SR</td> <td>HR</td> </tr> <tr> <td>HR</td> <td>AR</td> </tr> <tr> <td>AR</td> <td>LR</td> </tr> <tr> <td>LR</td> <td>TC</td> </tr> <tr> <td>TC</td> <td>DM</td> </tr> <tr> <td>DM</td> <td></td> </tr> </table>	<b>S:</b>	<b>C/D:</b>	IR	IR	SR	HR	HR	AR	AR	LR	LR	TC	TC	DM	DM	
C	n: no. of words to be transmitted (0 to 1000)																																										
C+1	0X00	0000	Network no. (0 to 127)																																								
C+2	Source port no. (NSB: 00, NSU: 01/02)		Source node no. (0 to 126)																																								
C	n: no. of words to be transmitted, 0 to 1000																																										
C+1	0XX0	Re-transmissions	Response monitor time (0.1 to 25.4 s)																																								
C+2	0000	0000	Source node no. (0 to 62)																																								
<b>S:</b>	<b>C/D:</b>																																										
IR	IR																																										
SR	HR																																										
HR	AR																																										
AR	LR																																										
LR	TC																																										
TC	DM																																										
DM																																											

**Data Areas**

These footnote tables show the actual ranges of all data areas. Bit numbers are provided (except for DM and TC areas); remove the rightmost two digits for word numbers.

IR	SR	HR	TR	AR	LR	TC	DM	#
00000 to 23515	23600 to 25507	HR 0000 to 9915	TR 0 to 7	AR 0000 to 2715	LR 0000 to 6315	TC 000 to 511	Read/Wr: DM 0000 to DM 0999 Rd only: DM 1000 to DM 1999	0000 to 9999 or 0000 to FFFF




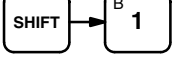
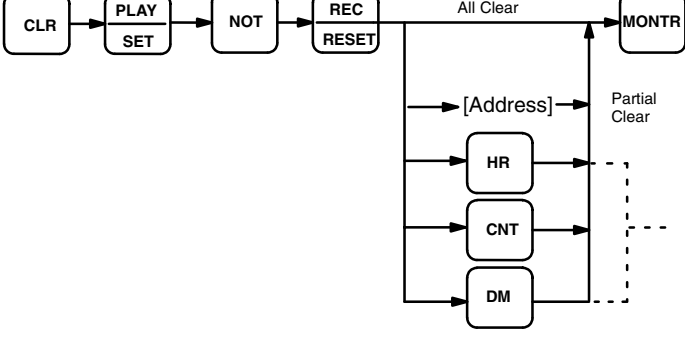
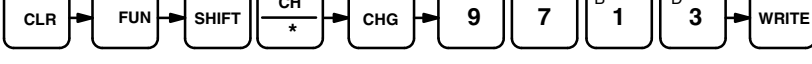
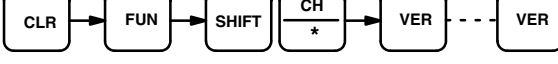
## Appendix C

### Programming Console Operations

The table below lists the Programming Console operations, a brief description, and the page on which they appear in the body of this manual. All operations are described briefly, and the key sequence for inputting them given, in the tables which form the second part of this appendix.

Name	Function	Reference page
Password Input	Prompts the user for the access password.	62
Buzzer ON/OFF	Controls whether the buzzer will sound for keystroke inputs.	63
Data Clear	Used to erase data, either selectively or totally, from the Program Memory and the IR, AR, HR, DM, and TC areas.	63
I/O Table Register	Registers the I/O table after initial entry or subsequent amendments.	65
I/O Table Verify	Checks the I/O Table against the actual arrangement of I/O Units.	66
I/O Table Read	Displays the Unit type, location, allocated I/O word, and word multiplier (where applicable).	67
NET Link Table Transfer	Transfers a copy of the NET Link System's Link Table to the user memory (UM) area.	70
I/O Table Delete	Deletes the entire I/O Table.	69
Address Designation	Displays the specified address.	72
Program Input	Used to edit or input program instructions.	73
Program Read	Allows the user to scroll through the program address-by-address. In RUN and MONITOR modes, status of bits is also given.	72
Program Search	Searches a program for the specified data address or instruction.	79
Instruction Insert Instruction Delete	Allows a new instruction to be inserted before the displayed instruction, or deletes the displayed instruction (respectively).	73
Program Check	Checks the completed program for syntax errors (up to three levels in H-type PCs).	76
Error Message Read	Displays error messages in sequence, starting with the most severe messages.	264
Bit/Word Monitor	Displays the specified address whose operand is to be monitored. In RUN or MONTR mode it will show the status of the operand for any bit or word in any data area.	238
3-word Monitor	Simultaneously monitors three consecutive words.	246
Forced Set/Reset	Set: Used to turn ON bits or timers, or to increment counters currently displayed on the left of the screen. Reset: Used to turn OFF bits, or to reset timers or counters.	241
Clear Forced Set/Reset	Simultaneously clears all forced bits within the currently displayed word.	243
Hex/BCD Data Change	Used to change the value of the leftmost BCD or hexadecimal word displayed during a Bit/Word Monitor operation.	244
Binary Data Change	Changes the value of 16-bit words bit-by-bit. Bits can be changed temporarily or permanently to the desired status.	249
SV Change/SV Reset	Alters the SV of a timer or counter either by incrementing or decrementing the value, or by overwriting the original value with a new one.	251
3-word Change	Used to change the value of a word displayed during a 3-word Monitor operation.	247
Cycle Time Display	Measures the duration of the current cycle. Cycle times will vary according to the execution conditions which exist in each cycle.	78
Hex-ASCII Display Change	Converts 4-digit hexadecimal data in the DM area to ASCII and vice-versa.	245
Binary Monitor	Displays the monitored area in binary format.	248
Program Memory Save	Saves Program Memory to tape.	254
Program Memory Restore	Reads Program Memory from tape.	256
Program Memory Compare	Compares Program Memory data on tape with that in the Program Memory area.	256
DM Data Save, Restore, Compare	The save, restore, and compare tape operations for DM area data.	258

# System Operations

Operation/Description	Modes*	Key sequence
<p><b>Password Input</b> Controls access to the PC's programming functions. To gain access to the system once "PASSWORD" has been displayed, press CLR, MONTR, and then CLR.</p>	R M P	
<p><b>Buzzer ON/OFF</b> The buzzer can be switched to operate whenever Programming Console keys are pressed (as well as for the normal error indication). BZ is displayed in the upper right corner when the buzzer is operative. The buzzer can be enabled by pressing SHIFT and then 1 immediately after entering the password, or after changing the mode.</p>	R M P	
<p><b>Data Clear</b> Unless otherwise specified, this operation will clear all erasable memory in Program Memory and IR, HR, AR, DM, and TC areas. To clear EPROM memory the write enable switch must be ON (i.e., enabled). The branch lines shown are used only when performing a partial memory clear, with each of the memory areas entered being retained. Specifying an address will result in the Program Memory after and including that address being deleted. All memory up to that address will be retained.</p>	P	
<p><b>I/O Table Register</b> Whenever I/O Unit changes are made that affect the operation of the system, the I/O table needs to be corrected to reflect the changes. This includes the initial registration once the system has been established.</p>	P	
<p><b>I/O Table Verify</b> Used to check that the registered I/O Table matches the actual arrangement of I/O Units. Pressing VER displays the next inconsistency.</p>	R P M	

\*Modes in which the given instruction is applicable: R = RUN, M = MONITOR, P = PROGRAM

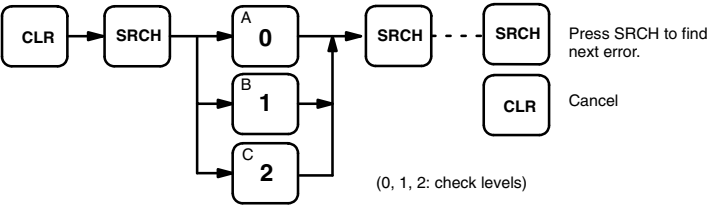
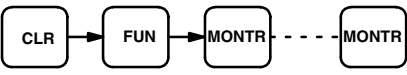
Operation/Description	Modes*	Key sequence
<p><b>I/O Table Read</b> Used to read the I/O Table. The display gives the Unit type, location, I/O word allocation, and word multiplier (where applicable). Rack and unit numbers will vary according to the system in use. The EXT key can be pressed to allow Remote I/O Slave Racks and Optical I/O Units to be selected. If shift is pressed before the arrow key, the Rack and unit numbers need not be specified.</p>	<p>R P M</p>	
<p><b>NET Link Link Table Transfer</b> Copies the Data Link Table to program memory, either RAM or EPROM. This allows the user program and the Data Link Table to be written to EPROM together (for the CPU11-E only). When power is applied to a PC with Data Link Tables stored in program memory, the table will automatically overwrite the CPU Data Link Table. Changes made to the table do not affect the copy in program memory. To update the copy in program memory, the transfer operation must be repeated. Transfer will not work if: a) the memory is not RAM or EPROM, or if the memory is write-protected. b) there is no END(01) instruction. c) the contents of the program memory exceeds 2.3K for a 4K word memory, or 6.4K for an 8K word memory.</p>	<p>P</p>	
<p><b>I/O Table Delete</b> Clears the entire I/O table. The cursor should be at the program address of the table.</p>	<p>P</p>	

\*Modes in which the given instruction is applicable: R = RUN, M = MONITOR, P = PROGRAM

# Programming Operations

Operation/Description	Modes*	Key sequence
<p><b>Address Designation</b>                      Displays the specified address. Can be used to start programming from a non-zero address or to access an address for editing. Leading zeros need not be entered. The contents of the address will not be displayed until the down key is pressed. The up and down keys can then be used to scroll through the Program Memory.</p>	<p>R P M</p>	
<p><b>Program Input</b>                      Used to enter or edit program instructions. This operation over-writes the contents of the memory at the displayed address. Once at the desired address, enter the new instruction word and then press WRITE (preceded by NOT for differentiated instructions). Input the required operands, and press WRITE after each.</p>	<p>P</p>	
<p><b>Program Read</b>                      Allows the user to scroll through the program address-by-address. If the Program Memory is read in RUN or MONITOR mode, the ON/OFF status of each displayed bit is also shown.</p>	<p>R P M</p>	
<p><b>Program Search</b>                      Allows the program to be searched for occurrences of any designated instruction or data area address. To designate a bit address, press SHIFT, CONT/#, and then input the address. Then press SRCH. Pressing SRCH again will find the next occurrence. For multi-word instructions, the up and down keys can be used to scroll through the words before continuing the search. In RUN or MONITOR mode, the ON/OFF status of each monitored bit will also be displayed. Applicable data areas vary according to the PC being used.</p>	<p>R P M</p>	

\*Modes in which the given instruction is applicable: R = RUN, M = MONITOR, P = PROGRAM

Operation/Description	Modes*	Key sequence
<p><b>Instruction Insert and Instruction Delete</b>                      The displayed instruction can be deleted, or another instruction can be inserted before it. Care should be taken to avoid inadvertent deletions as there is no way of recovering the instructions other than to re-enter them. When an instruction is deleted all subsequent instruction addresses are automatically adjusted so that there are no empty addresses, or instructions without addresses.</p>	<p>P</p>	<p>At the desired position in program:</p> <p><b>Insert</b> [Enter new instruction] → <b>INS</b> → <b>↓</b></p> <p><b>Delete</b> Instruction currently displayed → <b>DEL</b> → <b>↑</b></p>
<p><b>Program Check</b>                      Once a program has been entered, it should be checked for errors. This program check can be used to search for three levels of syntax errors. Details of the errors covered by each level are given in the relevant manuals. The address where the error was generated will also be displayed.</p>	<p>P</p>	 <p>(0, 1, 2: check levels)</p>
<p><b>Error Message Read</b>                      Displays error messages in sequence with most severe messages displayed first. Press monitor to access remaining messages. In PROGRAM mode, pressing MONTR clears the displayed message from memory and the next message is displayed.</p>	<p>R P M</p>	


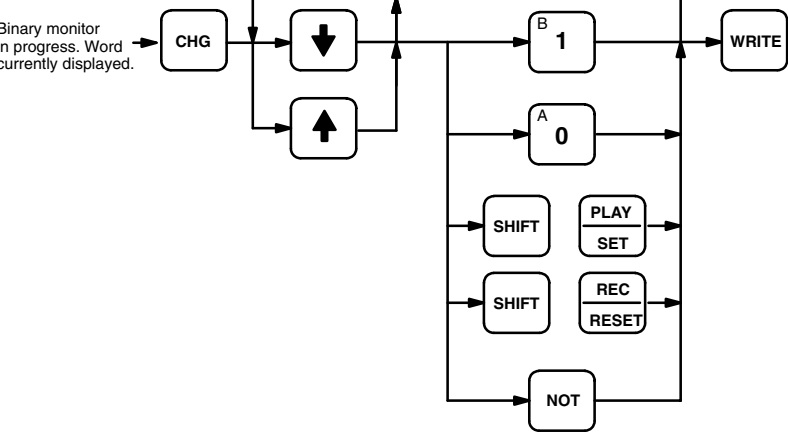
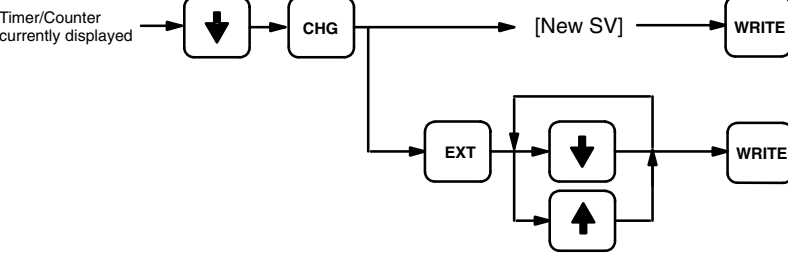
\*Modes in which the given instruction is applicable: R = RUN, M = MONITOR, P = PROGRAM



# Monitoring and Data Changing Operations

Operation/Description	Modes*	Key sequence
<p><b>Bit/Word Monitor</b></p> <p>Up to six memory addresses, containing either words or bits, or a combination of the two, can be monitored at once. Only three can be displayed at any one time. If operated in RUN or MONITOR mode, the status of monitored bits will also be displayed.</p> <p>The operation can be started from a cleared display by entering the address of the first word or bit to be monitored and pressing MONTR, or from any address in the program by displaying the address of the bit or word to be monitored and pressing MONTR.</p> <p>When a timer or counter is monitored, its PV will be displayed and a box is displayed in the bottom left hand corner if the Completion Flag is ON.</p>	<p>R P M</p>	
<p><b>3-word Monitor</b></p> <p>Monitors three consecutive words simultaneously. Specify the lowest valued address of the three words, press MONTR, and then press EXT to display the data contents of the specified word and the two words that follow. Pressing CLR will change the three-word monitor operation into a single-word display.</p>	<p>R P M</p>	<p>Bit/Word monitor in progress. Currently monitored words appear on the left of the screen.</p>
<p><b>Forced Set/Reset</b></p> <p>If a bit, timer, or counter address is leftmost on the screen during a Bit/Word Monitor operation, pressing PLAY/SET will turn ON the bit, start the timer, or increment the counter. Pressing REC/RESET will turn OFF the bit, or reset the timer or counter. These force-sets and force-resets are effective while the key is held down.</p> <p>Permanent sets and resets can be implemented by pressing SHIFT first, the force operations will be effective until NOT is pressed, or until a Clear Forced Set/Reset operation is performed. Timers will not operate in PROGRAM mode. SR bits are not affected by this operation.</p>	<p>P M</p>	<p>Bit/Word monitor in progress. Bit or Timer/Counter currently monitored appears on left of the screen.</p>
<p><b>Clear Forced Set/Reset</b></p> <p>Simultaneously clears all forced set and forced reset bits within the word currently displayed.</p>	<p>P M</p>	

\*Modes in which the given instruction is applicable: R = RUN, M = MONITOR, P = PROGRAM

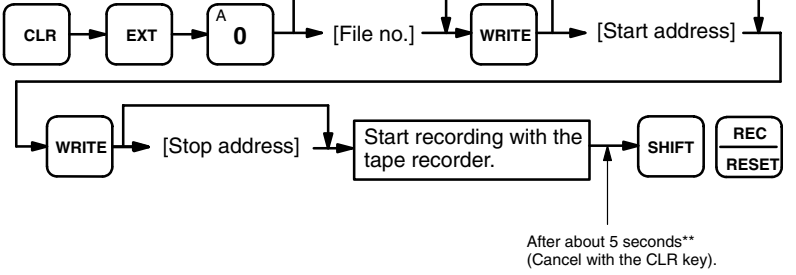
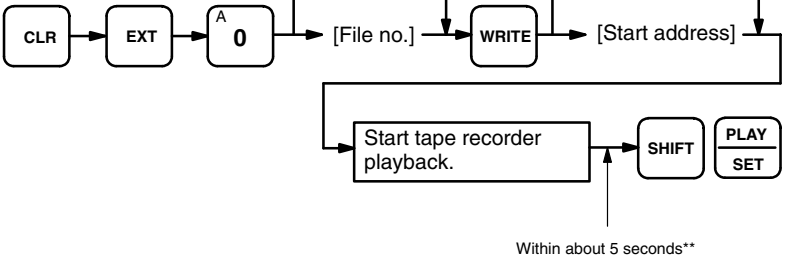
Operation/Description	Modes*	Key sequence
<p><b>Hex/BCD Data Change</b> Used to edit the leftmost BCD or hexadecimal value displayed during a Bit/Word Monitor operation. If a timer or counter is leftmost on the display, the PV will be the value displayed and affected by this operation. It can only be changed in MONITOR mode and only while the timer or counter is operating. SR words cannot be changed using this operation.</p>	<p>P M</p>	<p>Bit/Word monitor in progress. Currently monitored word appears on the left of the screen.</p> 
<p><b>Binary Data Change</b> This operation is used to change the value of IR, HR, AR, LR, or DM words bit-by-bit. The cursor can be moved left by using the up key, and right by using the down key. The position of the cursor is the bit that will be overwritten.</p> <p>There are two types of changes on the C200H, temporary and permanent. Temporary changes result if 1 or 0 is entered. Permanent changes are made by pressing SHIFT and SET, or SHIFT and RESET. The former will result in an S being displayed in that bit position. Similarly, SHIFT and RESET will produce an R in the display.</p> <p>During operation of the PC, the bits having 1 or 0 values will change according to the program conditions. Bits with S or R, however, will always be treated as a 1 or 0, respectively. NOT cancels S and R settings and the bits will become 1 or 0, respectively.</p>	<p>P M</p>	<p>Binary monitor in progress. Word currently displayed.</p> 
<p><b>SV Change, SV Reset</b> There are two ways of modifying the SVs for timers and counters. One method is to enter a new value. The second is to increment or decrement the existing SV. In MONITOR mode the SV can be changed while the program is being executed. Incrementing and decrementing can only be carried out if the SV has been entered as a constant.</p>	<p>P M M</p>	<p>Timer/Counter currently displayed</p> 

\*Modes in which the given instruction is applicable: R = RUN, M = MONITOR, P = PROGRAM

Operation/Description	Modes*	Key sequence
<p><b>3-word Change</b> This operation changes the value of a word displayed during a 3-word Monitor operation. The blinking cursor indicates the word that will be affected by the operation. The cursor can be moved by using the up and down keys. When the cursor is at the desired location, press CHG. After entering the new data, pressing WRITE causes the original data to be overwritten.</p>	<p>P M</p>	
<p><b>Cycle Time Display</b> This operation should be performed after all syntax errors have been corrected. The cycle time can only be checked in RUN or MONITOR mode and while the program is being executed. The cycle time displayed after pressing CLR and MONTR is that for the current cycle. Pressing MONTR again will display a new cycle time. Any difference between successive cycle times is due to the different execution conditions that exist during each cycle.</p>	<p>R M</p>	
<p><b>Hex/ASCII Display Change</b> Converts 4-digit hexadecimal DM data to ASCII and vice-versa.</p>	<p>R P M</p>	
<p><b>Binary Monitor</b> The contents of a monitored word can be specified to be displayed in binary by pressing SHIFT and MONTR after entering the word address. Words can be scrolled by pressing the up and down keys to increment and decrement the displayed address. To terminate the binary display, press CLR. To terminate all monitor operations, press SHIFT and CLR.</p>	<p>R P M</p>	

\*Modes in which the given instruction is applicable: R = RUN, M = MONITOR, P = PROGRAM

# Cassette Tape Operations

Operation/Description	Modes*	Key sequence
<p><b>Program Memory Save</b> Copies data from the Program Memory to tape. The file no. specified in the instructions provides an identifying address for the information within the tape. Each file number should be used only once per tape. If only a part of the Program Memory is to be stored, the appropriate start and stop addresses must be entered. Each C60 tape can store approximately 16K words on each side of the tape. When the start address is entered, the maximum stop address is set as the default. Do not set a stop address greater than this one. If you wish to record past this address the additional information will need to be recorded either on the flip side of the tape or on a separate tape. After starting the tape recorder, wait about 5 seconds before pressing SHIFT REC/RESET. This is to allow the leader tape to pass before the data transmission starts.</p>	<p>P</p>	 <pre> graph TD     CLR[CLR] --&gt; EXT[EXT]     EXT --&gt; A0[A 0]     A0 --&gt; FileNo["[File no.]"]     FileNo --&gt; WRITE1[WRITE]     WRITE1 --&gt; StartAddr["[Start address]"]     StartAddr --&gt; WRITE2[WRITE]     WRITE2 --&gt; StopAddr["[Stop address]"]     StopAddr --&gt; StartRecording[Start recording with the tape recorder.]     StartRecording --&gt; ShiftRec[SHIFT REC/RESET]     Note["After about 5 seconds** (Cancel with the CLR key)."] -.-&gt; StartRecording     </pre>
<p><b>Program Memory Restore</b> To read Program Memory data which has been recorded on a cassette tape, the keystrokes are as given here. The file number must be the same as the one entered when the data was recorded. The read operation will proceed from the specified start address up to the end of the tape, unless halted by a CLR command. The instruction must be completed before the required data is reached on the tape, i.e., usually before the leader tape finishes.</p>	<p>P</p>	 <pre> graph TD     CLR[CLR] --&gt; EXT[EXT]     EXT --&gt; A0[A 0]     A0 --&gt; FileNo["[File no.]"]     FileNo --&gt; WRITE1[WRITE]     WRITE1 --&gt; StartAddr["[Start address]"]     StartAddr --&gt; StartPlayback[Start tape recorder playback.]     StartPlayback --&gt; ShiftPlay[SHIFT PLAY/SET]     Note["Within about 5 seconds**"] -.-&gt; StartPlayback     </pre>

\*Modes in which the given instruction is applicable: R = RUN, M = MONITOR, P = PROGRAM

\*\*These times take the cassette leader tape into consideration according to the following:

- a) When recording to tape, the leader tape needs to be allowed to pass before the data transmission to the tape player starts.
- b) When restoring from tape or comparing data, the Programming Console needs to be ready to receive data before the data is transferred from the tape.

Operation/Description	Modes*	Key sequence
<p><b>Program Memory Compare</b>                      The procedure to compare Program Memory data stored on a tape with that in the PC's Program Memory area is the same as that for reading it (see above), except that after starting the tape playback, VER should be pressed instead of SHIFT and PLAY/SET.</p>	<p>P</p>	<pre>                     graph LR                         CLR[CLR] --&gt; EXT[EXT]                         EXT --&gt; A0[A 0]                         A0 --&gt; FileNo["[File no.]"]                         FileNo --&gt; WRITE[WRITE]                         WRITE --&gt; StartAddr["[Start address]"]                         StartAddr --&gt; Playback[Start tape recorder playback.]                         Playback --&gt; VER[VER]                     </pre> <p style="text-align: center;">Within about 5 seconds**</p>
<p><b>DM Data Save, Restore, Compare</b>                      The procedures for transferring DM area data to and from tape, and for comparing it, are basically the same as for the Program Memory, given above. The exceptions are that start and stop addresses are not required, and the DM area is specified instead of the Program Memory. Each operation will continue through to the end of the tape unless cancelled by pressing CLR.</p>	<p>P</p>	<pre>                     graph TD                         CLR[CLR] --&gt; EXT[EXT]                         EXT --&gt; B1[B 1]                         B1 --&gt; FileNo["[File no.]"]                         FileNo --&gt; Recording[Start tape recorder recording.]                         Recording --&gt; Saving["Saving SHIFT REC/RESET"]                         Saving --&gt; Playback[Start tape recorder playback.]                         Playback --&gt; Restoring["Restoring SHIFT PLAY/SET"]                         Restoring --&gt; Comparing[VER]                     </pre> <p style="text-align: center;">5 second leader tape**</p>

\*Modes in which the given instruction is applicable: R = RUN, M = MONITOR, P = PROGRAM

\*\*These times take the cassette leader tape into consideration according to the following:

- a) When recording to tape, the leader tape needs to be allowed to pass before the data transmission to the tape player starts.
- b) When restoring from tape or comparing data, the Programming Console needs to be ready to receive data before the data is transferred from the tape.

## Appendix D

### Error and Arithmetic Flag Operation

The following table shows the instructions that affect the ER, CY, GT, LT and EQ flags. In general, ER indicates that operand data is not within requirements. CY indicates arithmetic or data shift results. GT indicates that a compared value is larger than some standard, LT that it is smaller, and EQ, that it is the same. EQ also indicates a result of zero for arithmetic operations. Refer to *Section 5 Instruction Set* for details.

Vertical arrows in the table indicate the flags that are turned ON and OFF according to the result of the instruction.

Although ladder diagram instructions, TIM, and CNT are executed when ER is ON, other instructions with a vertical arrow under the ER column are not executed if ER is ON. All of the other flags in the following table will also not operate when ER is ON.

These flags are turned OFF with the END instruction and so cannot be monitored from the Programming Device.

The statuses of the flags will show the results of the most recently executed instruction. With a differentiated instruction, flag statuses will be changed only in the first scan when the execution condition of the instruction is satisfied; during all other scans, the differentiated instruction will not affect the statuses of the flags determined by the previous instruction (i.e., until the execution condition is satisfied again.)

Instructions not shown do not affect any of the flags in the table. Although only the non-differentiated form of each instruction is shown, differentiated instructions affect flags in exactly the same way.

Instructions	25503 (ER)	25504 (CY)	25505 (GR)	25506 (EQ)	25507 (LE)
TIM	↕	Unaffected	Unaffected	Unaffected	Unaffected
CNT		Unaffected	Unaffected	Unaffected	Unaffected
END(01)	OFF	OFF	OFF	OFF	OFF
STEP(08)	Unaffected	Unaffected	Unaffected	Unaffected	Unaffected
SNXT(09)					
CNTR(12)	↕	Unaffected	Unaffected	Unaffected	Unaffected
TIMH(15)					
WSFT(16)					
RWS(17)					
SCAN(18)					
MCMP(19)	↕	Unaffected	↕	↕	↕
CMP(20)					
MOV(21)	↕	Unaffected	Unaffected	↕	Unaffected
MVN(22)					
BIN(23)					
BCD(24)					
ASL(25)	↕	↕	Unaffected	↕	Unaffected
ASR(26)					
ROL(27)					
ROR(28)					
COM(29)	↕	Unaffected	Unaffected	↕	Unaffected
ADD(30)					
SUB(31)					

Instructions	25503 (ER)	25504 (CY)	25505 (GR)	25506 (EQ)	25507 (LE)
MUL(32)	↕	Unaffected	Unaffected	↕	Unaffected
DIV(33)					
ANDW(34)					
ORW(35)					
XORW(36)					
XNRW(37)					
INC(38)					
DEC(39)					
STC(40)	Unaffected	ON	Unaffected	Unaffected	Unaffected
CLC(41)	Unaffected	OFF	Unaffected	Unaffected	Unaffected
MSG(46)	↕	Unaffected	Unaffected	Unaffected	Unaffected
LMSG(47)					
TERM(48)	Unaffected	Unaffected	Unaffected	Unaffected	Unaffected
SYS(49)					
ADB(50)	↕	↕	Unaffected	↕	Unaffected
SBB(51)					
MLB(52)	↕	Unaffected	Unaffected	↕	Unaffected
DVB(53)					
ADDL(54)	↕	↕	Unaffected	↕	Unaffected
SUBL(55)					
MULL(56)	↕	Unaffected	Unaffected	↕	Unaffected
DIVL(57)					
BINL(58)					
BCDL(59)					
CMPL(60)	↕	Unaffected	↕	↕	↕
CTW(63)	↕	Unaffected	Unaffected	↕	Unaffected
WTC(64)					
HTS(65)					
STH(66)					
BCNT(67)					
BCMP(68)					
VCAL(69)					
XFER(70)					
BSET(71)					
ROOT(72)	↕	Unaffected	Unaffected	↕	Unaffected

<b>Instructions</b>	<b>25503 (ER)</b>	<b>25504 (CY)</b>	<b>25505 (GR)</b>	<b>25506 (EQ)</b>	<b>25507 (LE)</b>
XCHG(73)	↕	Unaffected	Unaffected	Unaffected	Unaffected
SLD(74)					
SRD(75)					
MLPX(76)					
DMPX(77)					
SDEC(78)					
FDIV(79)					
DIST(80)					
COLL(81)					
MOVB(82)					
MOVD(83)					
SFTR(84)	↕	↕	Unaffected	Unaffected	Unaffected
TCMP(85)	↕	Unaffected	Unaffected	↕	Unaffected
ASC(86)	↕	Unaffected	Unaffected	Unaffected	Unaffected
INT(89)					
SEND(90)					
SBS(91)					
SBN(92)	Unaffected	Unaffected	Unaffected	Unaffected	Unaffected
RET(93)					
WDT(94)					
BPRG(96)					
IORF(97)					
RECV(98)	↕	Unaffected	Unaffected	Unaffected	Unaffected





## Appendix E

### Data Areas

The data areas in the C200H are summarized below. Prefixes are included with bit and word addresses when inputting them is required to designate the area, i.e., bits/words input without a prefix are considered to be IR or SR bits/words.

Area	Bits	Words	Notes
IR	00000 to 23515	000 to 235	Words 000 through 029 are allocated to I/O Units on the CPU and Expansion I/O Racks as needed. Words 050 through 231 are allocated to Special I/O Units and Units on Remote I/O Racks as needed. Any of these words and the remainder of the IR area is available for used as work bits.
SR	23600 to 25507	236 to 255	Bits 25200 to 25507 are dedicated for specific purposes and can not be used for other purposes. Bits 23600 to 25115 are available when not used for their assigned purposes. In designating operands, the SR area is considered as a continuation of the IR area. See tables of dedicated bits following this table.
HR	HR 0000 to HR 9915	HR 00 to HR 99	HR bits are available for general data storage and manipulation. The HR area maintains bit status when PC power is turned off.
AR	AR 0000 to AR 2715	AR 00 to AR 27	AR bits are mostly dedicated for specific purposes. Unused AR bits may be used as works bits. See tables of dedicated bits following this table.
LR	LR 0000 to LR 6315	LR 00 to LR 63	LR bits are used for data exchange in PC Link Systems. When the PC does not include a PC Link System, LR bits may be used for SYSMAC LINK or SYSMAC NET Link Systems. LR bits may be used as work bits when not used for data links.
DM	Not accessible as bits.	Read/write: DM 0000 to DM 0999 Read only: DM 1000 to DM 1999	DM 0000 through DM 0999 are generally used for data storage. DM 0969 through DM 0999 are used in the Error History function with the CPU11-E. DM 1000 through DM 1999 are used for Special I/O Units.
TC	(TC 000 to TC 511)	(TC 000 to TC 511)	The TC area consists of TC numbers used to manipulate and access timers and counters. When used as a bit operand, a TC number accesses the Completion Flag for the timer or counter defined using the TC number. When used as a word operand, the TC number accesses the present value of the timer or counter.
TR	(TR 0 to TR 7)	Not accessible as words.	TR bits can only be used in the LOAD and OUTPUT instructions to store and retrieve execution conditions. Storing and retrieving execution conditions is necessary when programming certain types of branching ladder diagrams.

## Dedicated Bits

Most of the bits in the SR and AR area are dedicated for specific purposes. These are summarized in the following tables. Refer to 3-4 *SR Area* and 3-5 *AR Area* for details.

### SR Allocations

As a rule, SR area bits can be used only for the purposes for which they are dedicated. The SR area contains flags and control bits used for monitoring PC operation, accessing clock pulses, and signalling errors. SR area word addresses range from 236 through 255; bit addresses, from 23600 through 25507.

Word(s)	Bit(s)	Function
236	00 to 07	Node loop status output area for operating level 0 of SYSMAC NET Link System
	08 to 15	Node loop status output area for operating level 1 of SYSMAC NET Link System
237	00 to 07	Completion code output area for operating level 0 following execution of SEND(90)/RECV(98) SYSMAC LINK/SYSMAC NET Link System
	08 to 15	Completion code output area for operating level 1 following execution of SEND(90)/RECV(98) SYSMAC LINK/SYSMAC NET Link System
238 to 241	00 to 15	Data link status output area for operating level 0 of SYSMAC LINK or SYSMAC NET Link System
242 to 245	00 to 15	Data link status output area for operating level 1 of SYSMAC LINK or SYSMAC NET Link System
246	00 to 15	Not used.
247 to 250	00 to 07	PC Link Unit Run Flags or data link status for operating level 1
	08 to 15	PC Link Unit Error Flags or data link status for operating level 1
251	00 to 15	Remote I/O Error Flags
252	00	SEND(90)/RECV(98) Error Flag for operating level 0 of SYSMAC LINK/SYSMAC NET Link System
	01	SEND(90)/RECV(98) Enable Flag for operating level 0 of SYSMAC LINK/SYSMAC NET Link System
	02	Operating Level 0 Data Link Operating Flag
	03	SEND(90)/RECV(98) Error Flag for operating level 1 of SYSMAC LINK/SYSMAC NET Link System
	04	SEND(90)/RECV(98) Enable Flag for operating level 1 of SYSMAC LINK/SYSMAC NET Link System
	05	Operating Level 1 Data Link Operating Flag
	06	Host Computer to Rack-mounting Host Link Unit Level 1 Error Flag
	07	Rack-mounting Host Link Unit Level 1 Restart Bit
	08	CPU-mounting Host Link Unit Error Flag
	09	CPU-mounting Host Link Unit Restart Bit
	10	Not used.
	11	Forced Status Hold Bit (CPU11-E only)
	12	I/O Status Hold Bit
	13	Rack-mounting Host Link Unit Level 0 Restart Bit
	14	Not used.
15	Output OFF Bit	
253	00 to 07	FAL number output area.
	08	Low Battery Flag
	09	Cycle Time Error Flag
	10	I/O Verification Error Flag
	11	Host Computer to rack-mounting Host Link Unit Level 0 Error Flag

Word(s)	Bit(s)	Function
253	12	Remote I/O Error Flag
	13	Normally ON Flag
	14	Normally OFF Flag
	15	First cycle
254	00	1-minute clock pulse bit
	01	0.02-second clock pulse bit
	02 to 06	Reserved for function expansion. Do not use.
	07	Step Flag
	08 to 14	Reserved for function expansion. Do not use.
	15	Special Unit Error Flag (Special I/O, PC Link, Host Link, Remote I/O Master, SYSMAC NET Link, and SYSMAC LINK)
255	00	0.1-second clock pulse bit
	01	0.2-second clock pulse bit
	02	1.0-second clock pulse bit
	03	Instruction Execution Error (ER) Flag
	04	Carry (CY) Flag
	05	Greater Than (GR) Flag
	06	Equals (EQ) Flag
	07	Less Than (LE) Flag

### AR Word Allocations

AR word addresses extend from AR 00 to AR 27; AR bit addresses extend from AR 0000 to AR 2715. Most AR area words and bits are dedicated to specific uses, such as transmission counters, flags, and control bits, and words AR 00 through AR 06 and AR 23 through AR 27 cannot be used for any other purpose. Words and bits from AR 07 to AR 22 are available as work words and work bits if not used for the following assigned purposes.

Word	Use
AR 07	Error History Area (CPU11-E only)
AR 07 to 15	SYSMAC LINK Units
AR 16, AR 17	SYSMAC LINK and SYSMAC NET Link Units
AR 18 to AR 21	Calendar/Clock Area (CPU11-E only)
AR 07, AR 22	TERMINAL Mode Key Bits (CPU11-E only)

### AR Bit Allocations

Word(s)	Bit(s)	Function
00	00 to 09	Error Flags for Special I/O Units 0 to 9 (also function as Error Flags for PC Link Units)
	10	Error Flag for operating level 1 of SYSMAC LINK or SYSMAC NET Link System
	11	Error Flag for operating level 0 of SYSMAC LINK or SYSMAC NET Link System
	12	Host Computer to Rack-mounting Host Link Unit Level 1 Error Flag
	13	Host Computer to Rack-mounting Host Link Unit Level 0 Error Flag
	14/15	Remote I/O Master Unit 1/Unit 0 Error Flags
01	00 to 09	Restart Bits for Special I/O Units 0 to 9 (also function as Restart Bits for PC Link Units)
	10	Restart Bit for operating level 1 of SYSMAC LINK or SYSMAC NET Link System
	11	Restart Bit for operating level 0 of SYSMAC LINK or SYSMAC NET Link System
	12, 13	Not used.

Word(s)	Bit(s)	Function
01	14/15	Remote I/O Master Unit 1/Unit 0 Restart Bits
02	00 to 04	Error Flags for Slave Racks 0 to 4
	05 to 15	Not used.
03	00 to 15	Error Flags for Optical I/O Units 0 to 7
04	00 to 15	Error Flags for Optical I/O Units 8 to 15
05	00 to 15	Error Flags for Optical I/O Units 16 to 23
06	00 to 15	Error Flags for Optical I/O Units 24 to 31
07	00 to 03	Data Link setting for operating level 0 of SYSMAC LINK System
	04 to 07	Data Link setting for operating level 1 of SYSMAC LINK System
	08	TERMINAL Mode Input Cancel Bit (CPU11-E only)
	09 to 12	Not used.
	13 to 15	Error History Area (13: Overwrite Bit, 14: Reset Bit, 15: Enable Bit) (CPU11-E only)
08 to 11	00 to 15	Active Node Flags for SYSMAC LINK System nodes of operating level 0
12 to 15	00 to 15	Active Node Flags for SYSMAC LINK System nodes of operating level 1
16	00 to 15	SYSMAC LINK/SYSMAC NET Link System operating level 0 service time per cycle
17	00 to 15	SYSMAC LINK/SYSMAC NET Link System operating level 1 service time per cycle
18 to 21	00 to 15	Calendar/Clock Area (CPU11-E only)
22	00 to 15	TERMINAL Mode Key Bits (CPU11-E only)
23	00 to 15	Power-OFF Counter
24	00 to 03	Not used.
	04	CPU Unit Low Battery Flag (CPU11-E only)
	05	Cycle Time Flag
	06	SYSMAC LINK System Network Parameter Flag for operating level 1
	07	SYSMAC LINK System Network Parameter Flag for operating level 0
	08	SYSMAC LINK/SYSMAC NET Link Unit Level 1 Mounted Flag
	09	SYSMAC LINK/SYSMAC NET Link Unit Level 0 Mounted Flag
	10 to 12	Not used.
	13	Rack-mounting Host Link Unit Level 1 Mounted Flag
	14	Rack-mounting Host Link Unit Level 0 Mounted Flag
15	CPU-mounting Device Mounted Flag	
25	00 to 15	FALS-generating Address
26	00 to 15	Maximum Cycle Time
27	00 to 15	Present Cycle Time

# **Appendix F**

## **Word Assignment Recording Sheets**

This appendix contains sheets that can be copied by the programmer to record I/O bit allocations and terminal assignments, as well as details of work bits, data storage areas, timers, and counters.

# I/O Bits

Programmer:

Program:

Date:

Page:

Word:		Unit:
Bit	Field device	Notes
00		
01		
02		
03		
04		
05		
06		
07		
08		
09		
10		
11		
12		
13		
14		
15		

Word:		Unit:
Bit	Field device	Notes
00		
01		
02		
03		
04		
05		
06		
07		
08		
09		
10		
11		
12		
13		
14		
15		

Word:		Unit:
Bit	Field device	Notes
00		
01		
02		
03		
04		
05		
06		
07		
08		
09		
10		
11		
12		
13		
14		
15		

Word:		Unit:
Bit	Field device	Notes
00		
01		
02		
03		
04		
05		
06		
07		
08		
09		
10		
11		
12		
13		
14		
15		

# Work Bits

Programmer:

Program:

Date:

Page:

Area:		Word:
Bit	Usage	Notes
00		
01		
02		
03		
04		
05		
06		
07		
08		
09		
10		
11		
12		
13		
14		
15		

Area:		Word:
Bit	Usage	Notes
00		
01		
02		
03		
04		
05		
06		
07		
08		
09		
10		
11		
12		
13		
14		
15		

Area:		Word:
Bit	Usage	Notes
00		
01		
02		
03		
04		
05		
06		
07		
08		
09		
10		
11		
12		
13		
14		
15		

Area:		Word:
Bit	Usage	Notes
00		
01		
02		
03		
04		
05		
06		
07		
08		
09		
10		
11		
12		
13		
14		
15		









# Appendix G

## Program Coding Sheet

The following page can be copied for use in coding ladder diagram programs. It is designed for flexibility, allowing the user to input all required addresses and instructions.

When coding programs, be sure to specify all function codes for instructions and data areas (or # for constant) for operands. These will be necessary when inputting programs through a Programming Console or other Peripheral Device.



## Appendix H

### Data Conversion Table

Decimal	BCD	Hex	Binary
00	00000000	00	00000000
01	00000001	01	00000001
02	00000010	02	00000010
03	00000011	03	00000011
04	00000100	04	00000100
05	00000101	05	00000101
06	00000110	06	00000110
07	00000111	07	00000111
08	00001000	08	00001000
09	00001001	09	00001001
10	00010000	0A	00001010
11	00010001	0B	00001011
12	00010010	0C	00001100
13	00010011	0D	00001101
14	00010100	0E	00001110
15	00010101	0F	00001111
16	00010110	10	00010000
17	00010111	11	00010001
18	00011000	12	00010010
19	00011001	13	00010011
20	00100000	14	00010100
21	00100001	15	00010101
22	00100010	16	00010110
23	00100011	17	00010111
24	00100100	18	00011000
25	00100101	19	00011001
26	00100110	1A	00011010
27	00100111	1B	00011011
28	00101000	1C	00011100
29	00101001	1D	00011101
30	00110000	1E	00011110
31	00110001	1F	00011111
32	00110010	20	00100000



# Appendix I

## Extended ASCII

### Programming Console and Data Access Console Displays

Bits 0 to 3		Bits 4 to 7													
BIN	HEX	0000	0001	0010	0011	0100	0101	0110	0111	1010	1011	1100	1101	1110	1111
		0	1	2	3	4	5	6	7	A	B	C	D	E	F
0000	0	NUL	DLE	Space	0	@	P	`	Ɔ		0	@	P	`	Ɔ
0001	1	SOH	DC <sub>1</sub>	!	1	A	Q	a	Ɔ	!	1	A	Q	a	Ɔ
0010	2	STX	DC <sub>2</sub>	"	2	B	R	b	Ɔ	"	2	B	R	b	Ɔ
0011	3	ETX	DC <sub>3</sub>	#	3	C	S	c	Ɔ	#	3	C	S	c	Ɔ
0100	4	EOT	DC <sub>4</sub>	\$	4	D	T	d	Ɔ	\$	4	D	T	d	Ɔ
0101	5	ENQ	NAK	%	5	E	U	e	Ɔ	%	5	E	U	e	Ɔ
0110	6	ACK	SYN	&	6	F	V	f	Ɔ	&	6	F	V	f	Ɔ
0111	7	BEL	ETB	'	7	G	W	g	Ɔ	'	7	G	W	g	Ɔ
1000	8	BS	CAN	<	8	H	X	h	Ɔ	<	8	H	X	h	Ɔ
1001	9	HT	EM	)	9	I	Y	i	Ɔ	)	9	I	Y	i	Ɔ
1010	A	LF	SUB	*	:	J	Z	j	Ɔ	*	:	J	Z	j	Ɔ
1011	B	VT	ESC	+	;	K	[	k	Ɔ	+	;	K	[	k	Ɔ
1100	C	FF	FS	,	<	L	¥	l	Ɔ	,	<	L	¥	l	Ɔ
1101	D	CR	GS	-	=	M	]	m	Ɔ	-	=	M	]	m	Ɔ
1110	E	S0	RS	.	>	N	^	n	Ɔ	.	>	N	^	n	Ɔ
1111	F	S1	US	/	?	O	_	o	Ɔ	/	?	O	_	o	Ɔ





# Glossary

<b>address</b>	The location in memory where data is stored. For data areas, an address consists of a two-letter data area designation and a number that designates the word and/or bit location. For the UM area, an address designates the instruction location (UM area). In the FM area, the address designates the block location, etc.
<b>allocation</b>	The process by which the PC assigns certain bits or words in memory for various functions. This includes pairing I/O bits to I/O points on Units.
<b>AND</b>	A logic operation whereby the result is true if and only if both premises are true. In ladder-diagram programming the premises are usually ON/OFF states of bits or the logical combination of such states called execution conditions.
<b>APF</b>	Acronym for all plastic fiber-optic cable.
<b>AR area</b>	A PC data area allocated to flags, control bits, and work bits.
<b>arithmetic shift</b>	A shift operation wherein the carry flag is included in the shift.
<b>ASCII</b>	Short for American Standard Code for Information Interchange. ASCII is used to code characters for output to printers and other external devices.
<b>ASCII Unit</b>	An Intelligent I/O Unit used to program in BASIC. When connected to an NSU on a Net Link System, commands can be sent to other nodes.
<b>Backplane</b>	A base onto which Units are mounted to form a Rack. Backplanes provide a series of connectors for these Units along with wiring to connect them to the CPU. Backplanes also provide connectors used to connect them to other Backplanes. In some Systems, different Backplanes are used for different Racks; in other Systems, Racks differ only according to the Units mounted to them.
<b>BCD</b>	Short for binary-coded decimal.
<b>BCD calculation</b>	An arithmetic calculation that uses numbers expressed in binary-coded decimal.
<b>binary</b>	A number system where all numbers are expressed to the base 2, i.e., any number can be written using only 1's or 2's. Each group of four binary bits is equivalent to one hexadecimal digit.
<b>binary calculation</b>	An arithmetic calculation that uses numbers expressed in binary.
<b>binary-coded decimal</b>	A system used to represent numbers so that each group of four binary bits is numerically equivalent to one decimal digit.
<b>bit</b>	A binary digit; hence a unit of data in binary notation. The smallest unit of information that can be electronically stored in a PC. The status of a bit is either ON or OFF. Different bits at particular addresses are allocated to spe-

cial purposes, such as holding the status input from external devices, while other bits are available for general use in programming.

<b>bit address</b>	The location in memory where a bit of data is stored. A bit address must specify (sometimes by default) the data area and word that is being addressed, as well as the number of the bit.
<b>bit designator</b>	An operand that is used to designate the bit or bits of a word to be used by an instruction.
<b>bit number</b>	A number that indicates the location of a bit within a word. Bit 00 is the rightmost (least-significant) bit; bit 15 is the leftmost (most-significant) bit.
<b>buffer</b>	A temporary storage space for data in a computerized device.
<b>building-block PC</b>	A PC that is constructed from individual components, or "building blocks." With building-block PCs, there is no one Unit that is independently identifiable as a PC. The PC is rather a functional assembly of components.
<b>bus bar</b>	The line leading down the left and sometimes right side of a ladder diagram. Instruction execution proceeds down the bus bar, which is the starting point for all instruction lines.
<b>call</b>	A process by which instruction execution shifts from the main program to a subroutine. The subroutine may be called by an instruction or by an interrupt.
<b>carry flag</b>	A flag that is used with arithmetic operations to hold a carry from an addition or multiplication operation, or to indicate that the result is negative in a subtraction operation. The carry flag is also used with certain types of shift operations.
<b>clock pulse</b>	A pulse available at a certain bit in memory for use in timing operations. Various clock pulses are available with different pulse widths.
<b>clock pulse bit</b>	A bit in memory that supplies a pulse that can be used to time operations. Various clock pulse bits are available with different pulse widths, and therefore different frequencies.
<b>common data</b>	Data that is stored in the LR Area of a PC and which is shared by other PCs in the same the same system. Each PC has a specified section of the LR Area allocated to it. This allocation is the same in each LR Area of each PC.
<b>condition</b>	An message placed in an instruction line to direct the way in which the terminal instructions, on the right side, are to be executed. Each condition is assigned to a bit in memory that determines its status. The status of the bit assigned to each condition determines, in turn, the execution condition for each instruction up to a terminal instruction on the right side of the ladder diagram.
<b>constant</b>	An operand for which the actual numeric value is specified by the user, and which is then stored in a particular address in the data memory.
<b>control bit</b>	A bit in a memory area that is set either through the program or via a Programming Device to achieve a specific purpose, e.g., a Restart bit is turned ON and OFF to restart a Unit.

<b>Control System</b>	All of the hardware and software components used to control other devices. A Control System includes the PC System, the PC programs, and all I/O devices that are used to control or obtain feedback from the controlled system.
<b>controlled system</b>	The devices that are being controlled by a PC System.
<b>control signal</b>	A signal sent from the PC to effect the operation of the controlled system.
<b>counter</b>	A dedicated group of digits or words in memory used to count the number of times a specific process has occurred, or a location in memory accessed through a TC bit and used to count the number of times the status of a bit or an execution condition has changed from OFF to ON.
<b>CPU</b>	An acronym for central processing unit. In a PC System, the CPU executes the program, processes I/O signals, communicates with external devices, etc.
<b>CPU Backplane</b>	A Backplane which is used to create a CPU Rack.
<b>CPU Rack</b>	Part of a building-block PC, the CPU Rack contains the CPU, a power supply, and other Units. With most PCs, the CPU Rack is the only Rack that provides linkable slots.
<b>CTS</b>	An acronym for clear-to-send, a signal used in communications between electronic devices to indicate that the receiver is ready to accept incoming data.
<b>cycle</b>	The process used to execute a ladder-diagram program. The program is examined sequentially from start to finish and each instruction is executed in turn based on execution conditions.
<b>cycle time</b>	The time required for a single cycle of the ladder-diagram program.
<b>data area</b>	An area in the PC's memory that is designed to hold a specific type of data, e.g., the LR area is designed to hold common data in a PC Link System. Memory areas that hold programs are not considered data areas.
<b>data area boundary</b>	The highest address available within a data area. When designating an operand that requires multiple words, it is necessary to ensure that the highest address in the data area is not exceeded.
<b>data sharing</b>	An aspect of PC Link Systems and of Data Links in Net Link Systems in which common data areas or common data words are created between two or more PCs.
<b>debug</b>	A process by which a draft program is corrected until it operates as intended. Debugging includes both the removal of syntax errors, as well as the fine-tuning of timing and coordination of control operations.
<b>decimal</b>	A number system where all numbers are expressed to the base 10. In a PC all data is ultimately stored in binary form, four binary bits are often used to represent one decimal digit, via a system called binary-coded decimal.
<b>decrement</b>	Decreasing a numeric value.

<b>default</b>	A value automatically set by the PC when the user omits to set a specific value. Many devices will assume such default conditions upon the application of power.
<b>definer</b>	A number used as an operand for an instruction but that serves to define the instruction itself, rather than the data on which the instruction is to operate. Definers include jump numbers, subroutine numbers, etc.
<b>delay</b>	In tracing, a value that specifies where tracing is to begin in relationship to the trigger. A delay can be either positive or negative, i.e., can designate an offset on either side of the trigger.
<b>destination</b>	The location where an instruction is to place the data on which it is operating, as opposed to the location from which data is taken for use in the instruction. The location from which data is taken is called the source.
<b>differentiated instruction</b>	An instruction that is executed only once each time its execution condition goes from OFF to ON. Nondifferentiated instructions are executed each cycle as long as the execution condition stays ON.
<b>differentiation instruction</b>	An instruction used to ensure that the operand bit is never turned ON for more than one cycle after the execution condition goes either from OFF to ON for a Differentiate Up instruction or from ON to OFF for a Differentiate Down instruction.
<b>digit</b>	A unit of storage in memory that consists of four bits.
<b>digit designator</b>	An operand that is used to designate the digit or digits of a word to be used by an instruction.
<b>distributed control</b>	An automation concept in which control of each portion of an automated system is located near the devices actually being controlled, i.e., control is decentralized and 'distributed' over the system. Distributed control is one of the fundamental concepts of PC Systems.
<b>DM area</b>	A data area used to hold only word data. Words in the DM area cannot be accessed bit by bit.
<b>download</b>	The process of transferring a program or data from a higher-level computer to a lower-level computer or PC.
<b>electrical noise</b>	Random variations of one or more electrical characteristics such as voltage, current, and data, which might interfere with the normal operation of a device.
<b>error code</b>	A numeric code generated to indicate that an error exists, and something about the nature of the error. Some error codes are generated by the system; others are defined in the program by the operator.
<b>exclusive OR</b>	A logic operation whereby the result is true if one, and only one, of the premises is true. In ladder-diagram programming the premises are usually the ON/OFF states of bits, or the logical combination of such states, called execution conditions.
<b>exclusive NOR</b>	A logic operation whereby the result is true if both of the premises are true or both of the premises are false. In ladder-diagram programming the premises

are usually the ON/OFF states of bits, or the logical combination of such states, called execution conditions.

<b>exection condition</b>	The ON or OFF status under which an instruction is executed. The execution condition is determined by the logical combination of conditions on the same instruction line and up to the instruction currently being executed.
<b>execution time</b>	The time required for the CPU to execute either an individual instruction or an entire program.
<b>Expansion I/O Backplane</b>	A Backplane which is used to create an Expansion I/O Rack.
<b>Expansion I/O Rack</b>	Part of a building-block PC, an Expansion I/O Rack is connected to either a CPU Rack or another Expansion I/O Rack to increase the number of slots available for mounting Units.
<b>extended counter</b>	A counter created in a program by using two or more count instructions in succession. Such a counter is capable of counting higher than any of the standard counters provided by the individual instructions.
<b>extended timer</b>	A timer created in a program by using two or more timers in succession. Such a timer is capable of timing longer than any of the standard timers provided by the individual instructions.
<b>Factory Intelligent Terminal</b>	A programming device provided with advanced programming and debugging capabilities to facilitate PC operation. The Factory Intelligent Terminal also provides various interfaces for external devices, such as floppy disk drives.
<b>fatal error</b>	An error that stops PC operation and requires correction before operation can continue.
<b>FIT</b>	Abbreviation for Factory Intelligent Terminal.
<b>flag</b>	A dedicated bit in memory that is set by the system to indicate some type of operating status. Some flags, such as the carry flag, can also be set by the operator or via the program.
<b>flicker bit</b>	A bit that is programmed to turn ON and OFF at a specific frequency.
<b>floating point decimal</b>	A decimal number expressed as a number between 0 and 1 (the mantissa) multiplied by a power of 10, e.g., $0.538 \times 10^{-5}$ .
<b>Floppy Disk Interface Unit</b>	A Unit used to interface a floppy disk drive to a PC so that programs and/or data can be stored on floppy disks.
<b>force reset</b>	The process of forcibly turning OFF a bit via a programming device. Bits are usually turned OFF as a result of program execution.
<b>force set</b>	The process of forcibly turning ON a bit via a programming device. Bits are usually turned ON as a result of program execution.
<b>function code</b>	A two-digit number used to input an instruction into the PC.
<b>GPC</b>	Acronym for Graphic Programming Console.

<b>Graphic Programming Console</b>	A programming device with advanced programming and debugging capabilities to facilitate PC operation. A Graphic Programming Console is provided with a large display onto which ladder-diagram programs can be written directly in ladder-diagram symbols for input into the PC without conversion to mnemonic form.
<b>hardware error</b>	An error originating in the hardware structure (electronic components) of the PC, as opposed to a software error, which originates in software (i.e., programs).
<b>hexadecimal</b>	A number system where all numbers are expressed to the base 16. In a PC all data is ultimately stored in binary form, however, displays and inputs on Programming Devices are often expressed in hexadecimal to simplify operation. Each group of four binary bits is numerically equivalent to one hexadecimal digit.
<b>Host Link System</b>	A system with one or more host computers connected to one or more PCs via Host Link Units so that the host computer can be used to transfer data to and from the PC(s). Host Link Systems enable centralized management and control of PC Systems.
<b>Host Link Unit</b>	An interface used to connect a PC to a host computer in a Host Link System.
<b>host computer</b>	A computer that is used to transfer data or programs to from a PC in a Host Link System. The host computer is used for data management and overall system control. Host computers are generally personal or business computers.
<b>HR area</b>	A data area used to store and manipulate data, and to preserve data when power to the PC is turned OFF.
<b>increment</b>	Increasing a numeric value.
<b>indirect address</b>	An address whose contents indicates another address. The contents of the second address will be used as the operand. Indirect addressing is possible in the DM area only .
<b>initialization error</b>	An error that occurs either in hardware or software during the PC System startup, i.e., during initialization.
<b>initialize</b>	Part of the startup process whereby some memory areas are cleared, system setup is checked, and default values are set.
<b>input</b>	The signal coming from an external device into the PC. The term input is often used abstractly or collectively to refer to incoming signals.
<b>input bit</b>	A bit in the IR area that is allocated to hold the status of an input.
<b>input device</b>	An external device that sends signals into the PC System.
<b>input point</b>	The point at which an input enters the PC System. Input points correspond physically to terminals or connector pins.
<b>input signal</b>	A change in the status of a connection entering the PC. Generally an input signal is said to exist when, for example, a connection point goes from low to high voltage or from a nonconductive to a conductive state.

<b>instruction</b>	A direction given in the program that tells the PC of an action to be carried out, and which data is to be used in carrying out the action. Instructions can be used to simply turn a bit ON or OFF, or they can perform much more complex actions, such as converting and/or transferring large blocks of data.
<b>instruction block</b>	A group of instructions that is logically related in a ladder-diagram program. Although any logically related group of instructions could be called an instruction block, the term is generally used to refer to blocks of instructions called logic blocks that require logic block instructions to relate them to other instructions or logic blocks.
<b>instruction execution time</b>	The time required to execute an instruction. The execution time for any one instruction can vary with the execution conditions for the instruction and the operands used within it.
<b>instruction line</b>	A group of conditions that lie together on the same horizontal line of a ladder diagram. Instruction lines can branch apart or join together to form instruction blocks.
<b>interface</b>	An interface is the conceptual boundary between systems or devices and usually involves changes in the way the communicated data is represented. Interface devices such as NSBs perform operations like changing the coding, format, or speed of the data.
<b>interlock</b>	A programming method used to treat a number of instructions as a group so that the entire group can be reset together when individual execution is not required. An interlocked program section is executed normally for an ON execution condition and partially reset for an OFF execution condition.
<b>interrupt (signal)</b>	A signal that stops normal program execution and causes a subroutine to be run.
<b>Interrupt Input Unit</b>	A Rack-mounting Unit used to input external interrupts into a PC System.
<b>inverse condition</b>	A condition that produces an ON execution condition when the bit assigned to it is OFF, and an OFF execution condition when the bit assigned to it is ON.
<b>I/O capacity</b>	The number of inputs and outputs that a PC is able to handle. This number ranges from around one hundred for smaller PCs to two thousand for the largest ones.
<b>I/O Control Unit</b>	A Unit mounted to the CPU Rack in certain PCs to monitor and control I/O points on Expansion I/O Units.
<b>I/O devices</b>	The devices to which terminals on I/O Units, Special I/O Units, or Intelligent I/O Units are connected. I/O devices may be either part of the Control System, if they function to help control other devices, or they may be part of the controlled system.
<b>I/O Interface Unit</b>	A Unit mounted to an Expansion I/O Rack in certain PCs to interface the Expansion I/O Rack to the CPU Rack.
<b>I/O Link</b>	Created in an Optical Remote I/O System to enable input/output of one or two IR words directly between PCs. The words are input/output between the



	PC controlling the Master and a PC connected to the Remote I/O System through an I/O Link Unit or an I/O Link Rack.
<b>I/O Link Unit</b>	A Unit used with certain PCs to create an I/O Link in an Optical Remote I/O System.
<b>I/O point</b>	The place at which an input signal enters the PC System, or at which an output signal leaves the PC System. In physical terms, I/O points correspond to terminals or connector pins on a Unit; in terms of programming, an I/O points correspond to I/O bits in the IR area.
<b>I/O response time</b>	The time required for an output signal to be sent from the PC in response to an input signal received from an external device.
<b>I/O table</b>	A table created within the memory of the PC that lists the IR area words allocated to each Unit in the PC System. The I/O table can be created by, or modified from, a Programming Device.
<b>I/O Unit</b>	The most basic type of Unit mounted to a backplane to create a Rack. I/O Units include Input Units and Output Units, each of which is available in a range of specifications. I/O Units do not include Special I/O Units, Link Units, etc.
<b>I/O word</b>	A word in the IR area that is allocated to a Unit in the PC System.
<b>IR area</b>	A data area whose principal function is to hold the status of inputs coming into the system and that of outputs that are to be set out of the system. Bits and words in the IR that are used this way are called I/O bits and I/O words. The remaining bits in the IR area are work bits.
<b>JIS</b>	Acronym for Japanese Industrial Standards.
<b>jump</b>	A type of programming where execution moves directly from one point in a program to another, without sequentially executing any instructions in-between. Jumps are usually conditional on an execution condition.
<b>jump number</b>	A definer used with a jump that defines the points from and to which a jump is to be made.
<b>ladder diagram (program)</b>	A form of program arising out of relay-based control systems that uses circuit-type diagrams to represent the logic flow of programming instructions. The appearance of the program is similar to a ladder, and thus the name.
<b>ladder diagram symbol</b>	A symbol used in a ladder-diagram program.
<b>ladder instruction</b>	An instruction that represents the 'rung' portion of a ladder-diagram program. The other instructions in a ladder diagram fall along the right side of the diagram and are called terminal instructions.
<b>Ladder Support Software</b>	A software package that provides most of the functions of the Factory Intelligent Terminal on an IBM AT, IBM XT, or compatible computer.
<b>LAN</b>	An acronym for local area network.
<b>leftmost (bit/word)</b>	The highest numbered bits of a group of bits, generally of an entire word, or the highest numbered words of a group of words. These bits/words are often called most-significant bits/words.

<b>Link Adapter</b>	A Unit used to connect communications lines, either to branch the lines or to convert between different types of cable. There are two types of Link Adapter: Branching Link Adapters and Converting Link Adapters.
<b>link</b>	A hardware or software connection formed between two Units. "Link" can refer either to a part of the physical connection between two Units (e.g., optical links in Wired Remote I/O Systems) or a software connection created to data existing at another location (Network Data Links).
<b>linkable slot</b>	A slot on either a CPU or Expansion I/O Backplane to which a Link Unit can be mounted. Backplanes differ in the slots to which Link Units can be mounted.
<b>Link System</b>	A system that includes one or more of the following systems: Remote I/O System, PC Link System, Host Link System, or Net Link System.
<b>Link Unit</b>	Any of the Units used to connect a PC to a Link System. These are Remote I/O Units, I/O Link Units, PC Link Units, Host Link Units, and Net Link Units.
<b>load</b>	The processes of copying data either from an external device or from a storage area to an active portion of the system such as a display buffer. Also, an output device connected to the PC is called a load.
<b>local area network</b>	A network consisting of nodes or positions in a loop arrangement. Each node can be any one of a number of devices, which can transfer data to and from each other.
<b>logic block</b>	A group of instructions that is logically related in a ladder-diagram program and that requires logic block instructions to relate it to other instructions or logic blocks.
<b>logic block instruction</b>	An instruction used to locally combine the execution condition resulting from a logic block with a current execution condition. The current execution condition could be the result of a single condition, or of another logic block. AND Load and OR Load are the two logic block instructions.
<b>logic instruction</b>	Instructions used to logically combine the content of two words and output the logical results to a specified result word. The logic instructions combine all the same-numbered bits in the two words and output the result to the bit of the same number in the specified result word.
<b>loop</b>	A group of instructions that can be executed more than once in succession (i.e., repeated) depending on an execution condition or bit status.
<b>LR area</b>	A data area that is used in a PC Link System so that data can be transferred between two or more PCs. If a PC Link System is not used, the LR area is available for use as work bits.
<b>LSS</b>	Abbreviation for Ladder Support Software.
<b>main program</b>	All of a program except for the subroutines.
<b>masking</b>	'Covering' an interrupt signal so that the interrupt is not effective until the mask is removed.

<b>Master</b>	Short for Remote I/O Master Unit.
<b>memory area</b>	Any of the areas in the PC used to hold data or programs.
<b>mnemonic code</b>	A form of a ladder-diagram program that consists of a sequential list of the instructions without using a ladder diagram. Mnemonic code is required to input a program into a PC when using a Programming Console.
<b>MONITOR mode</b>	A mode of PC operation in which normal program execution is possible, and which allows modification of data held in memory. Used for monitoring or debugging the PC.
<b>most-significant (bit/word)</b>	See <i>leftmost (bit/word)</i> .
<b>NC input</b>	An input that is normally closed, i.e., the input signal is considered to be present when the circuit connected to the input opens.
<b>nest</b>	Programming one loop within another loop, programming a call to a subroutine within another subroutine, or programming an IF-ELSE programming section within another IF-ELSE section.
<b>Net Link System</b>	An optical LAN formed from PCs connected through Net Link Units. A Net Link System also normally contains nodes interfacing computers and other peripheral devices. PCs in the Net Link System can pass data back and forth, receive commands from any interfaced computer, and share any interfaced peripheral device.
<b>Net Link Unit</b>	The Unit used to connect PCs to a Net Link System. The full name is "SYS-MAC Net Link Unit."
<b>Network Service Board</b>	A device with an interface to connect devices other than PCs to a Net Link System.
<b>Network Service Unit</b>	A Unit that provides two interfaces to connect peripheral devices to a Net Link System.
<b>node</b>	One of the positions in a LAN. Each node incorporates a device that can communicate with the devices at all of the other nodes. The device at a node is identified by the node number. One loop of a Net Link System (OMRON's LAN) can consist of up to 126 nodes. Each node is occupied by a Net Link Unit mounted to a PC or a device providing an interface to a computer or other peripheral device.
<b>NO input</b>	An input that is normally open, i.e., the input signal is considered to be present when the circuit connected to the input closes.
<b>noise interference</b>	Disturbances in signals caused by electrical noise.
<b>nonfatal error</b>	A hardware or software error that produces a warning but does not stop the PC from operating.
<b>normal condition</b>	A condition that produces an ON execution condition when the bit assigned to it is ON, and an OFF execution condition when the bit assigned to it is OFF.

<b>NOT</b>	A logic operation which inverts the status of the operand. For example, AND NOT indicates an AND operation with the opposite of the actual status of the operand bit.
<b>NSB</b>	An acronym for Network Service Board.
<b>NSU</b>	An acronym for Network Service Unit.
<b>OFF</b>	The status of an input or output when a signal is said not to be present. The OFF state is generally represented by a low voltage or by non-conductivity, but can be defined as the opposite of either.
<b>OFF delay</b>	The delay between the time when a signal is switched OFF (e.g., by an input device or PC) and the time when the signal reaches a state readable as an OFF signal (i.e., as no signal) by a receiving party (e.g., output device or PC).
<b>ON</b>	The status of an input or output when a signal is said to be present. The ON state is generally represented by a high voltage or by conductivity, but can be defined as the opposite of either.
<b>ON delay</b>	The delay between the time when an ON signal is initiated (e.g., by an input device or PC) and the time when the signal reaches a state readable as an ON signal by a receiving party (e.g., output device or PC).
<b>one-shot bit</b>	A bit that is turned ON or OFF for a specified interval of time which is longer than one cycle.
<b>on-line removal</b>	Removing a Rack-mounted Unit for replacement or maintenance during PC operation.
<b>operand</b>	Bit(s) or word(s) designated as the data to be used for an instruction. An operand can be input as a constant expressing the actual numeric value to be used or as an address to express the location in memory of the data to be used.
<b>operand bit</b>	A bit designated as an operand for an instruction.
<b>operand word</b>	A word designated as an operand for an instruction.
<b>operating error</b>	An error that occurs during actual PC operation as opposed to an initialization error, which occurs before actual operations can begin.
<b>Optical I/O Unit</b>	A Unit that is connected in an Optical Remote I/O System to provide 8 I/O points. Optical I/O Units are not mounted to a Rack.
<b>Optical Slave Rack</b>	A Slave Rack connected through an Optical Remote I/O Slave Unit.
<b>OR</b>	A logic operation whereby the result is true if either of two premises is true, or if both are true. In ladder-diagram programming the premises are usually ON/OFF states of bits or the logical combination of such states called execution conditions.
<b>output</b>	The signal sent from the PC to an external device. the term output is often used abstractly or collectively to refer to outgoing signals.

<b>output bit</b>	A bit in the IR area that is allocated to hold the status to be sent to an output device.
<b>output device</b>	An external device that receives signals from the PC System.
<b>output point</b>	The point at which an output leaves the PC System. Output points correspond physically to terminals or connector pins.
<b>output signal</b>	A signal being sent to an external device. Generally an output signal is said to exist when, for example, a connection point goes from low to high voltage or from a nonconductive to a conductive state.
<b>overseeing</b>	Part of the processing performed by the CPU that includes general tasks required to operate the PC.
<b>overwrite</b>	Changing the content of a memory location so that the previous content is lost.
<b>parity</b>	Adjustment of the number of ON bits in a word or other unit of data so that the total is always an even number or always an odd number. Parity is generally used to check the accuracy of data after being transmitted by confirming that the number of ON bits is still even or still odd.
<b>PC</b>	An acronym for Programmable Controller.
<b>PCB</b>	An acronym for printed circuit board.
<b>PC configuration</b>	The arrangement and interconnections of the Units that are put together to form a functional PC.
<b>PCF</b>	Acronym for plastic-clad optical fiber cable.
<b>PC Link System</b>	A system in which PCs are connected through PC Link Units to enable them to share common data areas, i.e., each of the PCs writes to certain words in the LR area and receives the data of the words written by all other PC Link Units connected in series with it.
<b>PC Link Unit</b>	The Unit used to connect PCs in a PC Link System.
<b>PC System</b>	With building-block PCs, all of the Racks and independent Units connected directly to them up to, but not including the I/O devices. The boundaries of a PC System are the PC and the program in its CPU at the upper end; and the I/O Units, Special I/O Units, Optical I/O Units, Remote Terminals, etc., at the lower end.
<b>peripheral device</b>	Devices connected to a PC System to aid in system operation. Peripheral devices include printers, programming devices, external storage media, etc.
<b>port</b>	A connector on a PC or computer that serves as a connection to an external device.
<b>present value</b>	The current value registered in a device at any instant during its operation. Present value is abbreviated as PV.
<b>printed circuit board</b>	A board onto which electrical circuits are printed for mounting into a computer or electrical device.

<b>Printer Interface Unit</b>	A Unit used to interface a printer so that ladder diagrams and other data can be printed out.
<b>program</b>	The list of instructions that tells the PC the sequence of control actions to be carried out.
<b>Programmable Controller</b>	A computerized device that can accept inputs from external devices and generate outputs to external devices according to a program held in memory. Programmable Controllers are used to automate control of external devices. Although single-component Programmable Controllers are available, building-block Programmable Controllers are constructed from separate components. Such building-block Programmable Controllers are formed only when enough of these separate components are assembled to form a functional assembly, i.e., no one individual Unit is called a PC.
<b>programmed alarm</b>	An alarm given as a result of execution of an instruction designed to generate the alarm in the program, as opposed to one generated by the system.
<b>programmed error</b>	An error arising as a result of the execution of an instruction designed to generate the error in the program, as opposed to one generated by the system.
<b>programmed message</b>	A message generated as a result of execution of an instruction designed to generate the message in the program, as opposed to one generated by the system.
<b>Programming Console</b>	The simplest form of programming device available for a PC. Programming Consoles are available both as hand-held models and as CPU-mounting models.
<b>Programming Device</b>	A peripheral device used to input a program into a PC or to alter or monitor a program already held in the PC. There are dedicated programming devices, such as Programming Consoles, and there are non-dedicated devices, such as a host computer.
<b>PROGRAM mode</b>	A mode of operation that allows inputting and debugging of programs to be carried out, but that does not permit normal execution of the program.
<b>PROM Writer</b>	A peripheral device used to write programs and other data into a ROM for permanent storage and application.
<b>prompt</b>	A message or symbol that appears on a display to request input from the operator.
<b>PV</b>	Acronym for present value.
<b>Rack</b>	An assembly of various Units on a Backplane that forms a functional unit in a building-block PC System. Racks include CPU Racks, Expansion I/O Racks, I/O Racks, and Slave Racks.
<b>refresh</b>	The process of updating output status sent to external devices so that it agrees with the status of output bits held in memory and of updating input bits in memory so that they agree with the status of inputs from external devices.
<b>relay-based control</b>	The forerunner of PCs. In relay-based control, groups of relays are interconnected to form control circuits. In a PC, these are replaced by programmable circuits.

<b>Remote I/O Master Unit</b>	The Unit in a Remote I/O System through which signals are sent to all other Remote I/O Units. The Remote I/O Master Unit is mounted either to a CPU Rack or an Expansion I/O Rack connected to the CPU Rack. Remote I/O Master Unit is generally abbreviated to Master.
<b>Remote I/O Slave Unit</b>	A Unit mounted to a Backplane to form a Slave Rack. Remote I/O Slave Unit is generally abbreviated to Slave.
<b>Remote I/O System</b>	A system in which remote I/O points are controlled through a Master mounted to a CPU Rack or an Expansion I/O Rack connected to the CPU Rack.
<b>Remote I/O Unit</b>	Any of the Units in a Remote I/O System. Remote I/O Units include Masters, Slaves, Optical I/O Units, I/O Link Units, and Remote Terminals.
<b>remote I/O word</b>	An I/O word allocated to a Unit in a Remote I/O System.
<b>reset</b>	The process of turning a bit or signal OFF or of changing the present value of a timer or counter to its set value or to zero.
<b>return</b>	The process by which instruction execution shifts from a subroutine back to the main program (usually the point from which the subroutine was called).
<b>reversible counter</b>	A counter that can be both incremented and decremented depending on the specified conditions.
<b>reversible shift register</b>	A shift register that can shift data in either direction depending on the specified conditions.
<b>right-hand instruction</b>	Another term for terminal instruction.
<b>rightmost (bit/word)</b>	The lowest numbered bits of a group of bits, generally of an entire word, or the lowest numbered words of a group of words. These bits/words are often called least-significant bits/words.
<b>rotate register</b>	A shift register in which the data moved out from one end is placed back into the shift register at the other end.
<b>RUN mode</b>	The operating mode used by the PC for normal control operations.
<b>scheduled interrupt</b>	An interrupt that is automatically generated by the system at a specific time or program location specified by the operator. Scheduled interrupts result in the execution of specific subroutines that can be used for instructions that must be executed repeatedly for a specified period of time.
<b>self diagnosis</b>	A process whereby the system checks its own operation and generates a warning or error if an abnormality is discovered.
<b>self-maintaining bit</b>	A bit that is programmed to maintain either an OFF or ON status until set or reset by specified conditions.
<b>servicing</b>	The process whereby the PC provides data to or receives data from external devices or remote I/O Units, or otherwise handles data transactions for Link Systems.

<b>set</b>	The process of turning a bit or signal ON.
<b>set value</b>	The value from which a decrementing counter starts counting down or to which an incrementing counter counts up (i.e., the maximum count), or the time from which or for which a timer starts timing. Set value is abbreviated SV.
<b>shift register</b>	One or more words in which data is shifted a specified number of units to the right or left in bit, digit, or word units. In a rotate register, data shifted out one end is shifted back into the other end. In other shift registers, new data (either specified data, zero(s) or one(s)) is shifted into one end and the data shifted out at the other end is lost.
<b>Slave</b>	Short for Remote I/O Slave Unit.
<b>Slave Rack</b>	A Rack containing a Remote I/O Slave Unit and controlled through a Remote I/O Master Unit. Slave Racks are generally located away from the CPU Rack.
<b>slot</b>	A position on a Rack (Backplane) to which a Unit can be mounted.
<b>software error</b>	An error that originates in a software program.
<b>software protect</b>	A means of protecting data from being changed that uses software as opposed to a physical switch or other hardware setting.
<b>source</b>	The location from which data is taken for use in an instruction, as opposed to the location to which the result of an instruction is to be written. The latter is called the destination.
<b>Special I/O Unit</b>	A dedicated Unit that is designed for a specific purpose. Special I/O Units include Position Control Units, High-Speed Counter Units, Analog I/O Units, etc.
<b>SR area</b>	A data area in a PC used mainly for flags, control bits, and other information provided about PC operation. The status of only certain SR bits may be controlled by the operator, i.e., most SR bits can only be read.
<b>subroutine</b>	A group of instructions placed after the main program and executed only if called from the main program or activated by an interrupt.
<b>subroutine number</b>	A definer used to identify the subroutine that a subroutine call or interrupt activates.
<b>SV</b>	Abbreviation for set value.
<b>switching capacity</b>	The maximum voltage/current that a relay can safely switch on and off.
<b>syntax error</b>	An error in the way in which a program is written. Syntax errors can include 'spelling' mistakes (i.e., a function code that does not exist), mistakes in specifying operands within acceptable parameters (e.g., specifying reserved SR bits as a destination), and mistakes in actual application of instructions (e.g., a call to a subroutine that does not exist).
<b>system configuration</b>	The arrangement in which Units in a system are connected.



<b>system error</b>	An error generated by the system, as opposed to one resulting from execution of an instruction designed to generate an error.
<b>system error message</b>	An error message generated by the system, as opposed to one resulting from execution of an instruction designed to generate a message.
<b>TC area</b>	A data area that can be used only for timers and counters. Each bit in the TC area serves as the access point for the SV, PV, and Completion flag for the timer or counter defined with that bit.
<b>TC number</b>	A definer that corresponds to a bit in the TC area and used to define the bit as either a timer or a counter.
<b>terminal instruction</b>	An instruction placed on the right side of a ladder diagram that uses the final execution conditions of an instruction line.
<b>terminator</b>	The code comprising an asterisk and a carriage return (* CR) which indicates the end of a block of data, whether it is a single-frame or multi-frame block. Frames within a multi-frame block are separated by delimiters.
<b>timer</b>	A location in memory accessed through a TC bit and used to time down from the timer's set value. Timers are turned ON and reset according to their execution conditions.
<b>TM area</b>	A memory area used to store the results of a trace.
<b>transmission distance</b>	The distance that a signal can be transmitted.
<b>TR area</b>	A data area used to store execution conditions so that they can be reloaded later for use with other instructions.
<b>trace</b>	An operation whereby the program is executed and the resulting data is stored in TM memory to enable step-by-step analysis and debugging.
<b>transfer</b>	The process of moving data from one location to another within the PC, or between the PC and external devices. When data is transferred, generally a copy of the data is sent to the destination, i.e., the content of the source of the transfer is not changed.
<b>trigger address</b>	An address in the program that defines the beginning point for tracing. The actual beginning point can be altered from the trigger by defining either a positive or negative delay.
<b>UM area</b>	The memory area used to hold the active program, i.e., the program that is being currently executed.
<b>Unit</b>	In OMRON PC terminology, the word Unit is capitalized to indicate any product sold for a PC System. Though most of the names of these products end with the word Unit, not all do, e.g., a Remote Terminal is referred to in a collective sense as a Unit. Context generally makes any limitations of this word clear.
<b>unit number</b>	A number assigned to some Link Units and Special I/O Units to facilitate identification when assigning words or other operating parameters to it.

<b>watchdog timer</b>	A timer within the system that ensures that the cycle time stays within specified limits. When limits are reached, either warnings are given or PC operation is stopped depending on the particular limit that is reached.
<b>Wired Slave Rack</b>	A Slave Rack connected through a Wired Remote I/O Slave Unit.
<b>word</b>	A unit of data storage in memory that consists of 16 bits. All data areas consists of words. Some data areas can be accessed only by words; others, by either words or bits.
<b>word address</b>	The location in memory where a word of data is stored. A word address must specify (sometimes by default) the data area and the number of the word that is being addressed.
<b>word multiplier</b>	A value between 0 and 3 that is assigned to a Master in a Remote I/O System so that words can be allocated to non-Rack-mounting Units within the System. The word setting made on the Unit is added to 32 times the word multiplier to arrive at the actual word to be allocated.
<b>work bit</b>	A bit in a work word.
<b>work word</b>	A word that can be used for data calculation or other manipulation in programming, i.e., a 'work space' in memory. A large portion of the IR area is always reserved for work words. Parts of other areas not required for special purposes may also be used as work words, e.g., LR words not used in a PC Link or Net Link System.



# Index

## A

addresses, in data area, 17  
applications, precautions, xv  
AR area, 32–37  
arithmetic flags, 98  
arithmetic operations, flags, 31  
ASCII, converting data, 161

## B

backup  
  DM area data, 258  
  program, 254–256  
battery  
  CPU11-E Low Battery Flag, 37  
  Low Battery Flag, 30  
BCD  
  calculations, 162–178  
  converting, 17  
  definition, 17  
binary  
  calculations, 179  
  definition, 17  
bits  
  controlling, 104  
  forced set/reset, 241  
  monitoring, 238–241  
buzzer, 63

## C

calendar/clock, dedicated bits, 35  
canceling, forced set/reset, 243  
cassette tape operation, 254–261  
  comparing Program Memory data, 256–258  
  error messages, 254  
  restoring Program Memory data, 256–258  
  saving Program Memory data, 254  
channel. *See* word  
clock pulse bits, 30  
comparing Program Memory data, 256–258  
constants, operands, 98  
control bit  
  definition, 16  
  Output OFF, 29  
Control System, definition, 3  
controlled system, definition, 3

counters  
  bits in TC area, 40  
  changing SV, 251  
  conditions when reset, 118, 122  
  creating extended timers, 120  
  extended, 119  
  inputting SV, 74  
  Power-OFF, 36  
  reversible counters, 121  
CPU  
  device mounted flag, 37  
  operational flow, 220–221  
CPU indicators, 12  
CPU Rack, definition, 12  
cycle, First Cycle flag, 30  
cycle time, 220–226  
  calculating, 226–228  
  controlling, 203  
  CPU01-E, 03-E, 221  
  CPU11-E, 224  
  Cycle Time Indicators, 37  
  displaying on Programming Console, 78  
  error flag, 30  
  flag for SCAN(18), 37

## D

data  
  comparison instructions, 141–148  
  converting, 18, 149–162  
  decrementing, 163  
  incrementing, 163  
  modifying, 247  
  modifying binary data, 249  
  modifying hex/BCD, 244  
  moving, 132–140  
data area, definition, 15  
data areas, structure, 16  
Data Link table, transferring, 70  
data retention  
  in AR area, 32  
  in HR area, 40  
  in IR area, 18  
  in LR area, 41  
  in SR area, 20  
  in TC area, 40  
  in TR area, 42  
decrementing, 163  
definers, definition, 97  
differentiated instructions, 99  
  function codes, 97  
digit, monitoring, 238  
digit numbers, 17–18

displays  
  converting between hex and ASCII, 245  
  I/O Unit designations, 68  
  Programming Console, English/Japanese switch, 62  
DM area, saving, restoring, and comparing, 258–261

## E

ER. *See* flag, Instruction Execution Error  
error codes, programming, 202  
error history, dedicated bits, 34  
error messages, programming, 204, 205  
errors  
  cassette tape operations, 254  
  clearing messages, 66  
  fatal, 266  
  history area, 38  
  initialization, 265  
  Instruction Execution Error flag, 31  
  message tables, 265–268  
  messages when inputting programs, 75  
  non-fatal, 265  
  programming indications, 264  
  programming messages, 204, 205  
  reading and clearing messages, 264  
  resetting, 203  
  SR and AR area flags, 268  
execution condition, definition, 46  
execution time  
  instructions, 228–233  
  program, 222  
Expansion I/O Rack, definition, 12

## F

Factory Intelligent Terminal. *See* peripheral devices  
FAL area, 30, 202  
FAL code, FALS-generating Address, 37  
fatal operating errors, 266  
FIT. *See* peripheral devices  
flag  
  AR and SR area error flags, 268  
  arithmetic, 31  
    programming example, 143, 145  
  CPU-mounting Device, 37  
  CY  
    clearing, 164  
    setting, 163  
  Cycle Time Error, 30  
  definition, 16  
  First Cycle, 30  
  I/O Verification Error, 30  
  Instruction Execution Error, 31  
  Link Units, 37  
  Low Battery, 30  
  Low Battery (CPU11-E), 37

  Network Parameter, 37  
  Optical Transmitting I/O Error, 33  
  Step, 31

floating-point decimal, division, 174  
Floppy Disk Interface Unit. *See* peripheral devices  
forced set/reset, 241  
  canceling, 243–244  
  Forced Status Hold Bit, 27  
function codes, 97

## G–H

GPC. *See* peripheral devices  
Graphic Programming Console. *See* peripheral devices  
hexadecimal, definition, 17  
Host Link Systems, error bits and flags, 23  
HR area, 40

## I

I/O bit  
  definition, 18  
  limits, 18  
I/O points, refreshing, 211  
I/O refreshing, time required, 222  
I/O response times, 234  
I/O status, maintaining, 28  
I/O table  
  clearing, 69  
  reading, 67  
  registration, 65  
  verification, 66  
  Verification Error flag, 30  
I/O Units. *See* Units  
I/O word  
  allocation, 19  
  definition, 18  
  limits, 18  
incrementing, 163  
indirect addressing, 98  
input bit  
  application, 19  
  definition, 3  
input device, definition, 3  
input point, definition, 3  
input signal, definition, 3  
installation, precautions, xv  
instruction set  
  ADB(50), 179  
  ADD(30), 164  
  ADDL(54), 165  
  AND, 48, 102

- combining with OR, 49
  - AND LD, 51, 103
    - combining with OR LD, 54
    - use in logic blocks, 52
  - AND NOT, 48, 102
  - ANDW(34), 185
  - ASC(86), 161
  - ASL(25), 127
  - ASR(26), 127
  - BCD(24), 150
  - BCDL(59), 151
  - BCMP(68), 146
  - BCNT(67), 207
  - BIN(23), 149
  - BINL(58), 149
  - BSET(71), 135
  - CLC(41), 164
  - CMP(20), 142
  - CNT, 118
  - CNTR(12), 121
  - COLL(81), 138
  - COM(29), 184
  - CTW(63), 133
  - DEC(39), 163
  - DIFD(14), 89, 105–106
    - using in interlocks, 109
    - using in jumps, 111
  - DIFU(13), 89, 105–106
    - using in interlocks, 109
    - using in jumps, 111
  - DIST(80), 138
  - DIV(33), 172
  - DIVL(57), 173
  - DMPX(77), 155
  - DVB(53), 184
  - END(01), 50, 102, 111
  - execution times, 228–233
  - FAL(06), 202
  - FALS(07), 202
  - FDIV(79), 174
  - FUN(89), 190
  - HTS(65), 151
  - IL(02), 85, 108–110
  - ILC(03), 85, 108–110
  - INC(38), 163
  - IORF(97), 211
  - JME(05), 110
  - JMP(04), 110
  - JMP(04) and JME(05), 87
  - KEEP(11), 106
    - in controlling bit status, 89
  - ladder instructions, 47
  - LCMP(60), 144
  - LD, 47, 102
  - LD NOT, 47, 102
  - LMSG(47), 205
  - MCMP(19), 141
  - MLB(52), 183
  - MLPX(76), 153
  - MOV(21), 132
  - MOVB(82), 139
  - MOVD(83), 140
  - MSG(46), 204
  - MUL(32), 171
  - MULL(56), 172
  - MVN(22), 133
  - NOP(00), 112
  - NOT, 45
  - operands, 44
  - OR, 48, 103
    - combining with AND, 49
  - OR LD, 52, 103
    - combining with AND LD, 54
    - use in logic blocks, 53
  - OR NOT, 48, 103
  - ORW(35), 185
  - OUT, 50, 104
  - OUT NOT, 50, 104
  - RECV(98), 213
  - RET(93), 188
  - ROL(27), 128
  - ROOT(72), 177
  - ROR(28), 128
  - RWS(17), 131
  - SBB(51), 181
  - SBN(92), 188
  - SBS(91), 189
  - SCAN(18), 203
  - SDEC(78), 158
  - SEND(90), 211
  - SFT(10), 123
  - SFTR(84), 125
  - SLD(74), 129
  - SLR(75), 129
  - SNXT(09), 193
  - STC(40), 163
  - STEP(08), 193
  - STH(66), 152
  - SUB(31), 166
  - SUBL(55), 169
  - SYS(49), 206
    - maintaining forced status, 28
    - maintaining I/O status, 28
  - TCMP(85), 147
  - TERM(48), 61, 206
  - terminology, 44
  - TIM, 113
  - TIMH(15), 117
  - VCAL(69), 207
  - WDT(94), 210
  - WSFT(16), 130
  - WTC(64), 134
  - XCHG(73), 137
  - XFER(70), 137
  - XNRW(37), 187
  - XORW(36), 186
- instructions, designations when inputting, 74
- interlocks, 108–110
  - using self-maintaining bits, 90
- interrupts, 187
  - control, 190
  - scheduled interrupt, 191–192
    - example, 192
- IR area, 18–20

## J-L

jump numbers, 110

jumps, 110–111

ladder diagram

- branching, 83
  - IL(02) and ILC(03), 85
  - using TR bits, 83
- controlling bit status
  - using DIFU(13) and DIFD(14), 89, 105–106
  - using KEEP(11), 106–112
  - using OUT and OUT NOT, 50
- converting to mnemonic code, 46–58
- display via GPC, FIT, or LSS, 45
- instructions
  - combining, AND LD and OR LD, 54
  - controlling bit status
    - using KEEP(11), 89
    - using OUT and OUT NOT, 104
  - format, 97
  - notation, 97
  - structure, 45
  - using logic blocks, 51

ladder diagram instructions, 102–104

Ladder Support Software

- See also* peripheral devices
- capabilities. *See* peripheral devices

LEDs. *See* CPU indicators

leftmost, definition, 17

Link System

- flags and control bits, 23–27
- servicing, 222

Link Units

- See also* Units
- flags, 37
- PC cycle time, 227

logic block instructions, converting to mnemonic code, 51–58

logic blocks. *See* ladder diagram

logic instructions, 184–187

LR area, 41

LSS

- See also* peripheral devices
- capabilities. *See* peripheral devices

## M

memory all clear, 64

memory areas

- clearing, 63
- definition, 15

memory partial clear, 64

messages, programming, 204, 205

mnemonic code, converting, 46–58

modifying data, hex/binary, 244

monitoring

- binary, 248
- monitoring 3 words, 246

mounting Units, location, 13

## N

nesting, subroutines, 189

NET Link System, LR area application. *See* SYSMAC NET Link System

non-fatal operating errors, 265

normally closed condition, definition, 45

NOT, definition, 45

## O

operand bit, 46

operands, 97

- allowable designations, 97
- requirements, 97

operating environment, precautions, xv

operating modes, 60

operating parameters, setting, 206

operation, preparations, 62–71

Optical Transmitting I/O Unit, Error flag, 33

output bit

- application, 19
- controlling, via Output OFF bit, 29
- controlling ON/OFF time, 104
- controlling status, 89, 90
- definition, 3

output device, definition, 3

output point, definition, 3

output signal, definition, 3

## P

password, entering on Programming Console, 62

PC

- configuration, 12
- definition, 3

PC Link Systems

- error bits and flags, 25–27
- LR area application, 41

peripheral devices, 5

- Factory Intelligent Terminal (FIT), 6
- Floppy Disk Interface Unit, 6
- Graphic Programming Console (GPC), 6
- Ladder Support Software (LSS), 6
  - capabilities, 7
- Printer Interface Unit, 6
- Programming Console, 6, 58–62

PROM Writer, 6  
servicing, 222

power supply, Power-OFF Counter, 36

precautions, xiii  
  applications, xv  
  general, xiv  
  operating environment, xv  
  safety, xiv

present value. *See* PV

Printer Interface Unit. *See* peripheral devices

program execution, 94

Program Memory, 42  
  backup and restore, 256–258  
  setting address and reading content, 72–73  
  structure, 46

programming  
  backup onto cassette tape, 254–261  
  checks for syntax, 76–78  
  entering and editing, 73  
  example, using shift register, 124  
  inputting, modifying and checking, 72–88  
  inserting and deleting instructions, 80–82  
  jumps, 87  
  precautions, 92  
  preparing data in data areas, 135  
  searching, 79–80  
  setting and reading from memory address, 72  
  simplification with differentiated instructions, 106  
  writing, 44

Programming Console, 58–62  
  *See also* peripheral devices

PROM Writer. *See* peripheral devices

PV  
  accessing via PC area, 41  
  CNTR(12), 122  
  timers and counters, 112

## R–S

Racks, types, 12

Remote I/O Systems, error bits and flags, 22

response times, I/O, 234–235

rightmost, definition, 17

safety precautions. *See* precautions

self-maintaining bits, using KEEP(11), 107

set value. *See* SV

seven-segment displays, converting data, 158

shift registers, 123–132  
  controlling individual bits, 124

Special I/O Units. *See* Units

SR area, 20–31

status indicators. *See* CPU indicators

step execution, Step flag, 31

step instructions, 193–202

subroutine number, 188

subroutines, 187–192

SV  
  accessing via TC area, 41  
  changing, 251  
  CNTR(12), 122  
  timers and counters, 112

SYSMAC LINK System  
  Active Node Flags, 34  
  communications completion code, 24  
  data link settings, 34  
  data link status, 25  
  flags, 23  
  instructions, 211  
  LR area application, 41  
  Network Parameter Flag, 37  
  routing table and monitor timer, 40  
  service time, 35

SYSMAC NET Link System  
  data link status, 25  
  Data Link Table transferring, 70  
  instructions, 211  
  service time, 35

## T–W

TC area, 40–41

TC numbers, 40, 112

TERMINAL mode, 61  
  Key Bits, 36

timers  
  bits in TC area, 40  
  changing SV, 251  
  conditions when reset, 113, 117  
  example using CMP(20), 143  
  extended timers, 114  
  flicker bits, 116  
  inputting SV, 74  
  ON/OFF delays, 114  
  one-shot bits, 115

TR area, 42

TR bits, use in branching, 83

Units  
  definition, 4  
  I/O Units, definition, 4  
  Link Units, definition, 4  
  Special I/O Units, definition, 4

watchdog timer, 225  
  extending, 210

word bit, definition, 16

work word, definition, 16

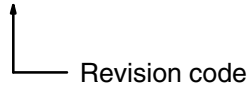




## Revision History

A manual revision code appears as a suffix to the catalog number on the front cover of the manual.

Cat. No. W130-E1-05



The following table outlines the changes made to the manual during each revision. Page numbers refer to the previous version.

Revision code	Date	Revised content
2	July 1990	Complete update. Information on the CPU11 added, including SYSMAC LINK/SYSMAC NET Link Systems, Error History and Calendar/clock functions, and 14 additional instructions.
3	November 1991	<i>Sections 7-1 through 7-4</i> have been incorporated into the present <i>Section 4</i> . Condition and inverse condition have been changed to <b>normally open condition</b> and <b>normally closed condition</b> . References to block instructions have been deleted. Page 6: FIT has <b>two</b> floppy disk drives. Page 19: For the SYSMAC LINK/SYSMAC NET Link Level error flags 25200 through 255203, link levels 0 and 1 have been interchanged. Page 29: <b>First</b> and <b>second</b> interchanged in GR and LE flag descriptions. Page 34: The instruction for entering TERMINAL mode is <b>TERM(48)</b> . MVFC(63), MVTC(64), and TRIG(69) have been changed to <b>CTW(63)</b> and <b>WTC(64)</b> , and <b>VCAL(69)</b> . Page 95: <b>Bit descriptions</b> for the RWS(17) control word have been corrected. Pages 114/5: In the examples for HTS(65) and STH(66), the execution condition is for <b>00000</b> and it should be <b>OFF</b> . Page 117: CNT 000 replaced with <b>CNT 002</b> and 00200 replaced with <b>00201</b> in fourth branch of first diagram. Page 148: In SBS(91), nesting can be performed up to <b>16 levels</b> . Pages 189/90: SEND(90) added to instruction execution times table and OFF times for instructions (47) through (49) have been corrected. Sec 6-3: FAL(06) divided into <b>00 and 01 to 99</b> . Page 309: Word 19 corrected to <b>255</b> in table heading.
3A	September 1992	Page 33: Reset bit AR2114 corrected to AR2115 in the procedure.
3B	December 1992	Page 33: The possible values for bits AR 1800 to 1807 have been changed to "00 to 59" in the table.
3C	January 1994	Multipoint I/O changed to High-density I/O throughout the manual. Scan time changed to cycle time throughout the manual. <b>Page 7:</b> Available manuals updated. <b>Pages 7 to 10:</b> LSS operations added. <b>Page 23:</b> Top row in SYSMAC NET Link Systems table corrected. <b>Page 33:</b> Note added. <b>Page 122:</b> Limitations corrected. <b>Pages 220 and 223:</b> Time required for Host Link Unit servicing clarified in the tables. <b>Page 221:</b> Units added to the Special I/O Unit Refresh table. <b>Page 252:</b> Note added. <b>Page 269 to 274:</b> Appendix A completely updated.
4	August 2000	<i>Precautions</i> added. CPU01, 03, and 11 changed to CPU01-E, 03-E, and 11-E throughout the manual. <b>Page 7:</b> Available manuals updated. <b>Page 31:</b> AR words in the table changed. <b>Page 99:</b> Note added to the end of <i>5-4 Differentiated Instructions</i> . <b>Page 113:</b> Description about SV settings added to <i>Limitations</i> . <b>Page 117:</b> Description about SV settings added to <i>Precautions</i> . <b>Page 265:</b> CPU error message corrected. <b>Page 323:</b> Description about flag statuses added.

---

### *Revision History*

---

Revision code	Date	Revised content
05	June 2003	<b>Page xiv:</b> Precautions added. <b>Pages 21, 28, and 330:</b> "Data Retention Control Bit" unified to "I/O Status Hold Bit." <b>Pages 28 and 29:</b> Section added on operation without a battery.



## OMRON ELECTRONICS LLC

1 Commerce Drive  
Schaumburg, IL 60173  
847.843.7900  
For US technical support or  
other inquiries: 800.556.6766

## OMRON CANADA, INC.

885 Milner Avenue  
Toronto, Ontario M1B 5V8  
416.286.6465

## OMRON ON-LINE

Global - <http://www.omron.com>  
USA - <http://www.omron.com/oei>  
Canada - <http://www.omron.ca>

### UNITED STATES

To locate a Regional Sales Office, local Distributor or  
to obtain product information, call: 847.843.7900

### CANADA REGIONAL SALES OFFICES

<b>Ontario</b>	Toronto	416.286.6465
	Kitchener	519.896.1144
	Kingston	613.376.3968
<b>Quebec</b>	Montreal	514.636.6676
<b>British Columbia</b>	Vancouver	604.522.8855
<b>Alberta</b>	Edmonton	403.440.0818
	Calgary	403.257.3095

### BRAZIL SALES OFFICE

**Sao Paulo** 55.11.5564.6488

### ARGENTINA SALES OFFICE

**Cono Sur** 54.114.787.1129

### MEXICO SALES OFFICES

**Florida** 954.227.2121      **Ciudad Juarez** 656.623.7083  
**Mexico, D.F.** 555.534.1195      **Monterrey, N.L.** 818.377.4281