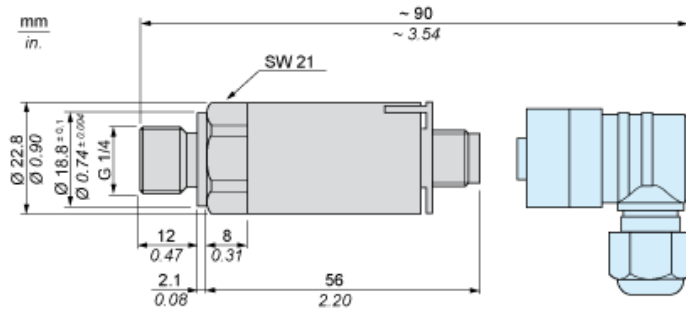


## Dimensions



---

## Wiring Diagram

---

### 2-Wire Technique (4-20 mA)

