

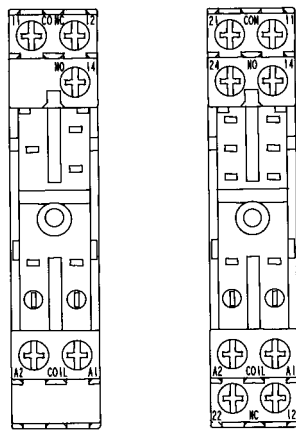
Approved models, 

DIN mounting

PCB mounting

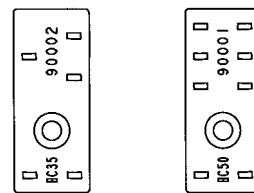
JW1SI

JW2SI

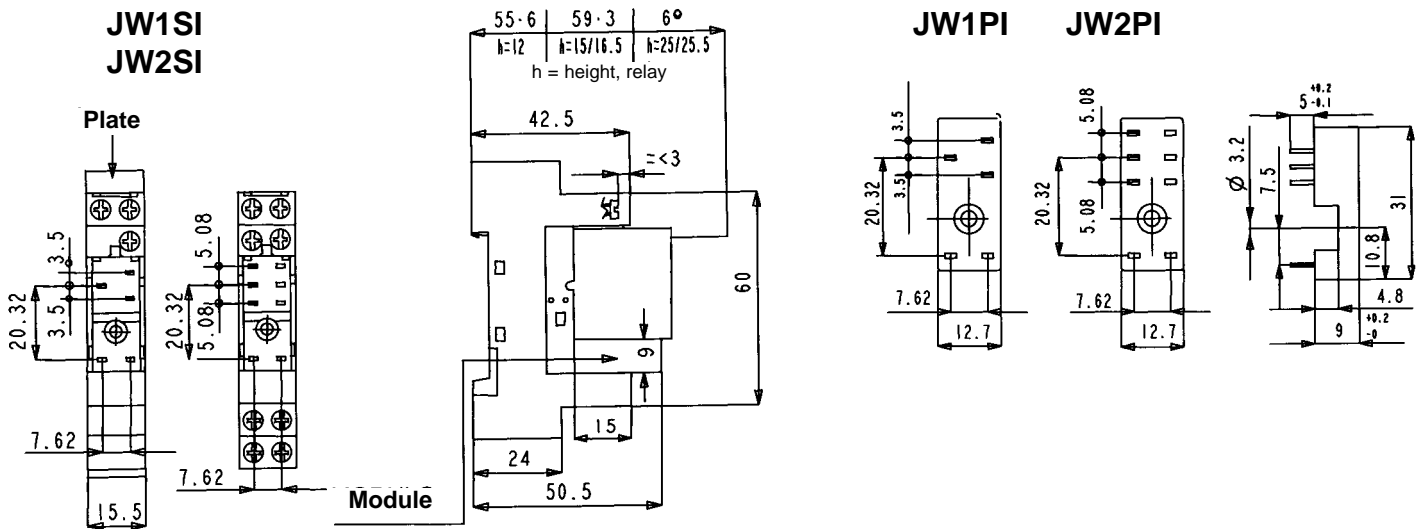


JW1PI

JW2PI



Dimensions



Accessories

Retaining spring, relay JWHFSI



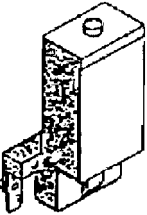
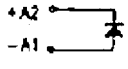
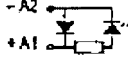
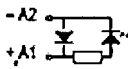
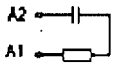
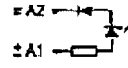
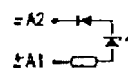
H (height relay) = 20,4 mm

Retaining spring, relay JWHFI

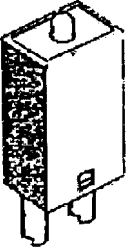
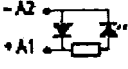
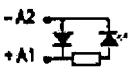
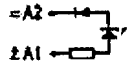
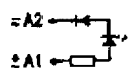


H (height relay) = 20,4 mm

MODULES supporting the relays HJ / HC

|  | Description | Voltage | Schematic | LED color | Type | |
|---|---|--|--|---|--|-----|
| | Module with diode. Protection against inverting polarity. | 5/230 V DC |  | 1 | | |
| | | 6/230 V DC | | | | |
| | Module with diode and LED. Protection against inverting polarity plus illuminated signal. | 6/24 V DC |  | 4 | LED red | |
| | | 24/60 V DC | | |  | 4 B |
| Module "RC" series. Without signal. RC circuit. | 5/24 V DC |  | 5 B | | | |
| Module with signal LED. No protection against inverting polarity. AC or DC power supply possible. | 5/24 V AC / DC |  | 5 | LED red | | |
| | 110/230 V AC / DC | | |  | 9 | |

MODULES supporting the relay JW

|  | Description | Voltage | Schematic | LED color | Type |
|---|---|--|--|--|--|
| | Module with diode and LED. Protection against inverting polarity plus illuminated signal. | 6/24 V DC |  | 42 | LED red |
| | | 24/60 V DC | | |  |
| Module with signal LED. No protection against inverting polarity. AC or DC power supply possible. | 6/24 V AC / DC |  | 62 | LED red | |
| | 24/60 V AC / DC | | |  | 62 E |