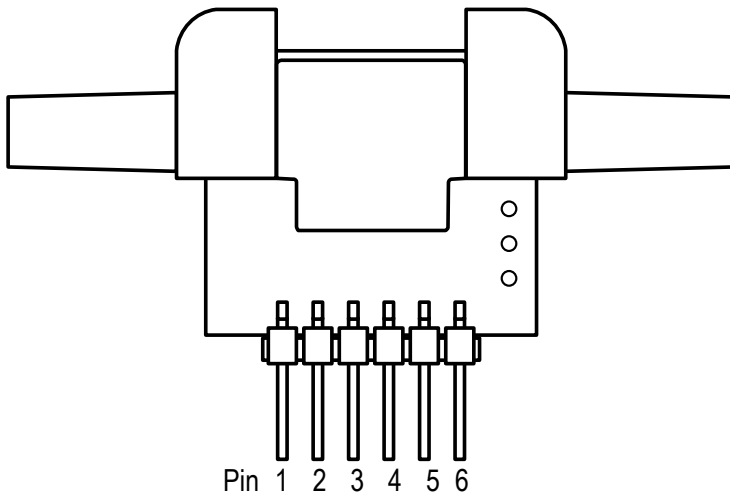


## 1. Pin Assignments

**Figure 1. Pin Assignments for Module – Top View**



## 2. Pin Descriptions

**Table 1. Pin Descriptions**

Pin Number	Pad Name	Type	Description
1	V <sub>IN</sub>	Input	Supply voltage
2	SDA	Input/Output	Serial data
3	SCL	Input	Serial clock
4	GND	Ground	Ground
5	MOSI		Do not connect
6	V <sub>OUT</sub>	Output	Analog output

### 3. Absolute Maximum Ratings

The absolute maximum ratings are stress ratings only. Stresses greater than those listed below can cause permanent damage to the device. Functional operation of the FS2012 at absolute maximum ratings is not implied. Exposure to absolute maximum rating conditions may affect device reliability.

**Table 2. Absolute Maximum Ratings**

Symbol	Parameter	Conditions	Minimum	Maximum	Units
$V_{IN}$	Supply Voltage		-0.3	5.5	V
$T_{STOR}$	Storage Temperature		-50	130	°C

### 4. Operating Conditions

**Table 3. Operating Conditions**

Symbol	Parameter	Minimum	Typical	Maximum	Units
$V_{IN}$	Supply Voltage	4.75	5.0	5.25	V
$T_{AMB}$	Ambient Operating Temperature	0	–	85	°C