

**Flange mount/Faston 250
16 A Power relay**

- Faston 250 (6.3 x 0.8 mm) termination Flange or optional mounting adaptors
- 2 & 3 Pole changeover contacts or NO (≥ 3 mm contact gap)
- AC coils & DC coils
- LED, mechanical indicator & test button options
- Reinforced insulation between coil and contacts according to EN 60335-1, with 6 mm clearance & 8 mm creepage distance
- SELV coil-contact separator option
- Cadmium free contact material options
- European Patent

62.82/62.83



- 2 & 3 pole changeover contact
- Flange mount/Faston 250

62.82-0300/62.83-0300

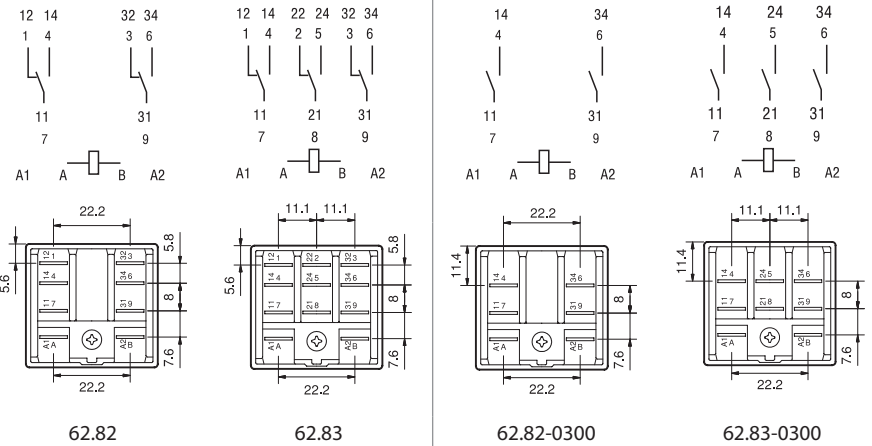


- 2 & 3 pole normally open contact (≥ 3 mm contact gap)
- Flange mount/Faston 250

* Distance between contacts ≥ 3 mm (EN 60730-1).
** With the AgSnO₂ material the maximum peak current is 120 A - 5 ms (NO contact).

FOR UL RATINGS SEE:
"General technical information" page V

For outline drawing see page 10



Contact specification

| | | | | | |
|---|-----------|--------------|-------------|-------------------------|-------------------------|
| Contact configuration | | 2 CO (DPDT) | 3 CO (3PDT) | 2 NO (DPST-NO), ≥ 3 mm* | 3 NO (3PST-NO), ≥ 3 mm* |
| Rated current/Maximum peak current | A | 16/30** | | 16/30** | |
| Rated voltage/ Maximum switching voltage | V AC | 250/400 | | 250/400 | |
| Rated load AC1 | VA | 4000 | | 4000 | |
| Rated load AC15 (230 V AC) | VA | 750 | | 750 | |
| Motor rating (230/400 V AC) | kW | 0.8/— | 0.8/1.5 | 0.8/— | 0.8/1.5 |
| Breaking capacity DC1: 30/110/220 V | A | 16/0.6/0.4 | | 16/1.1/0.7 | |
| Minimum switching load | mW (V/mA) | 1000 (10/10) | | 1000 (10/10) | |
| Standard contact material | | AgCdO | | AgCdO | |

Coil specification

| | | | | | |
|-----------------------------------|-----------------|---|--|---|--|
| Nominal voltage (U _N) | V AC (50/60 Hz) | 6 - 12 - 24 - 48 - 60 - 110 - 120 - 230 - 240 - 400 | | | |
| | V DC | 6 - 12 - 24 - 48 - 60 - 110 - 125 - 220 | | | |
| Rated power AC/DC | VA (50 Hz)/W | 2.2/1.3 | | 3/3 | |
| Operating range | AC | (0.8...1.1)U _N | | (0.85...1.1)U _N | |
| | DC | (0.8...1.1)U _N | | (0.85...1.1)U _N | |
| Holding voltage | AC/DC | 0.8 U _N / 0.6 U _N | | 0.8 U _N / 0.6 U _N | |
| Must drop-out voltage | AC/DC | 0.2 U _N / 0.1 U _N | | 0.2 U _N / 0.1 U _N | |

Technical data

| | | | | | |
|--|--------|--|--|--|--|
| Mechanical life AC/DC | cycles | 10 · 10 ⁶ /30 · 10 ⁶ | | 10 · 10 ⁶ /30 · 10 ⁶ | |
| Electrical life at rated load AC1 | cycles | 100 · 10 ³ | | 100 · 10 ³ | |
| Operate/release time | ms | 11/4 | | 15/3 | |
| Insulation between coil and contacts (1.2/50 μs) | kV | 6 | | 6 | |
| Dielectric strength between open contacts | V AC | 1500 | | 3000 | |
| Ambient temperature range | °C | -40...+70 | | -40...+50 | |
| Environmental protection | | RT I | | RT I | |

Approvals (according to type)



**Plug-in mount/Faston 187
Magnetic blow power relay**

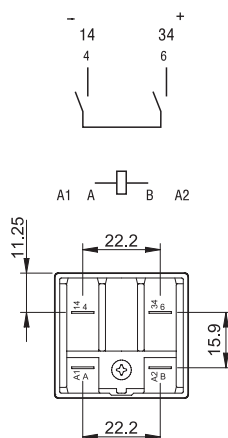
- Plug-in (92 series sockets) or Faston 187 (4.8 x 0.5 mm) with optional mounting adaptors
- 1 & 2 Pole NO contacts
- High DC load (resistive and inductive) switching capability
- DC coils
- Reinforced insulation between coil and contacts according to EN 60335-1, with 6 mm clearance & 8 mm creepage distance
- Cadmium free contact material
- Sockets and accessories

NEW 62.31-4800

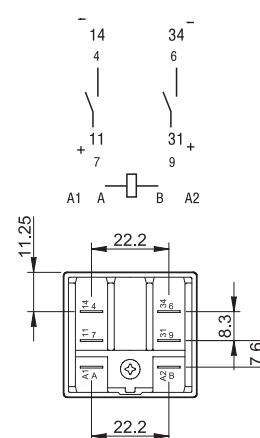

- 1 pole normally open contact (double break, ≥ 4.2 mm contact gap)
- Plug-in/Faston 187

NEW 62.32-4800


- 2 pole normally open contact (≥ 2.1 mm contact gap)
- Plug-in/Faston 187



62.31-4800



62.32-4800

* Maximum peak current 120 A - 5 ms.

For outline drawing see page 10

Contact specification

| | | | |
|---|-----------|--|-------------------------------|
| Contact configuration | | 1 NO (SPST-NO) double break, ≥ 4.2 mm | 2 NO (DPST-NO), ≥ 2.1 mm |
| Rated current/Maximum peak current | A | 16/30* | 16/30* |
| Rated voltage/ Maximum switching voltage | V AC | 250/400 | 250/400 |
| Rated load AC1 | VA | 4000 | 4000 |
| Breaking capacity DC1: 30/125/220 V | A | 16/16/12 | 16/12/6 |
| Breaking capacity DC inductive (L/R = 40 ms): 30/125/220 V | A | 16/5/3 | 10/2/1.2 |
| Minimum switching load | mW (V/mA) | 1000 (10/10) | 1000 (10/10) |
| Standard contact material | | AgSnO ₂ | AgSnO ₂ |

Coil specification

| | | | |
|-----------------------------------|------|---|----------------------------|
| Nominal voltage (U _N) | V DC | 6 - 12 - 24 - 48 - 60 - 110 - 125 - 220 | |
| Rated power DC | W | 1.3 | 1.3 |
| Operating range | DC | (0.85...1.1)U _N | (0.85...1.1)U _N |
| Holding voltage | DC | 0.6 U _N | 0.6 U _N |
| Must drop-out voltage | DC | 0.1 U _N | 0.1 U _N |

Technical data

| | | | |
|---|--------|-----------------------|-----------------------|
| Mechanical life DC | cycles | 10 · 10 ⁶ | 10 · 10 ⁶ |
| Electrical life at rated load DC1 | cycles | 100 · 10 ³ | 100 · 10 ³ |
| Operate/release time | ms | 16/5 | 16/5 |
| Insulation between coil and contacts (1.2/50 μs) | kV | 6 | 6 |
| Dielectric strength between open contacts | V AC | 3000 | 2000 |
| Ambient temperature range | °C | -40...+70 | -40...+70 |
| Environmental protection | | RT I | RT I |

Approvals (according to type)

