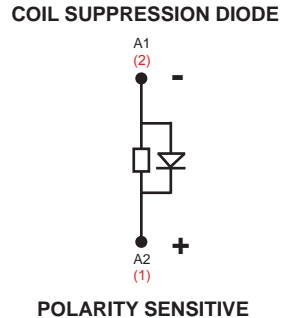
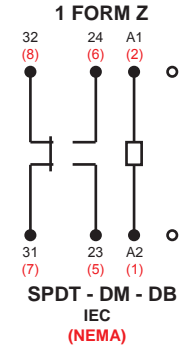
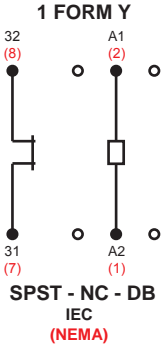
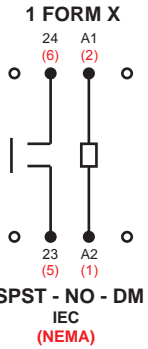
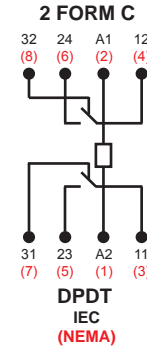
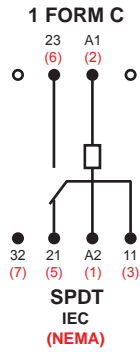
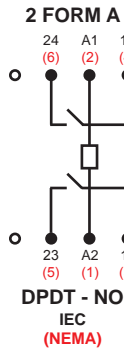




450 SERIES HEAVY DUTY POWER RELAY

WIRING DIAGRAMS



PART NUMBERING INFORMATION

Series Part Number: 450 XBX 40 C 69 Q L V 90 120VAC

Contact Combination:

- XAX (SPDT) (1 Form C)
- XBX (DPDT) (2 Form C)
- BXX (DPST) (2 Form A)
- HXX (SPST-NO-DM) (1 Form X)
- XXH (SPST-NC-DB) (1 Form Y)
- XHX (SPDT-DM-DB) (1 Form Z)

Contact Type :

- 40 Amp Silver Alloy – 40
- 50 Amp Silver Alloy – 50
- (Tungsten Contacts Also Available)

Enclosure:

- No Cover Standard – No Code
- Polycarbonate Protective Cover – C

Din-rail

- Standard Din Rail Mount Base – No Code

Other Options:

- Blowout Magnet – 69 (not available with a XXH contact combination)
- 3/8" Quick Connect Terminals – Q
- LED indicator – L
- Coil Suppression Diode – V (VDC version only)
- Auxiliary Switch – 90 *
- Dual Auxiliary Switch - 91 *

Coil Voltage – Class F, 155°C

- VAC – 6, 12, 24, 120, 208, 220, 240, 277, 480
- VDC - 6, 12, 24, 48, 110/125, 250
- (Other Coil Voltages Available Upon Request)

***NOTE: Covers cannot be used on relays with QC Terminals, Auxiliary Switches or 50A Relays with AC Coils.**

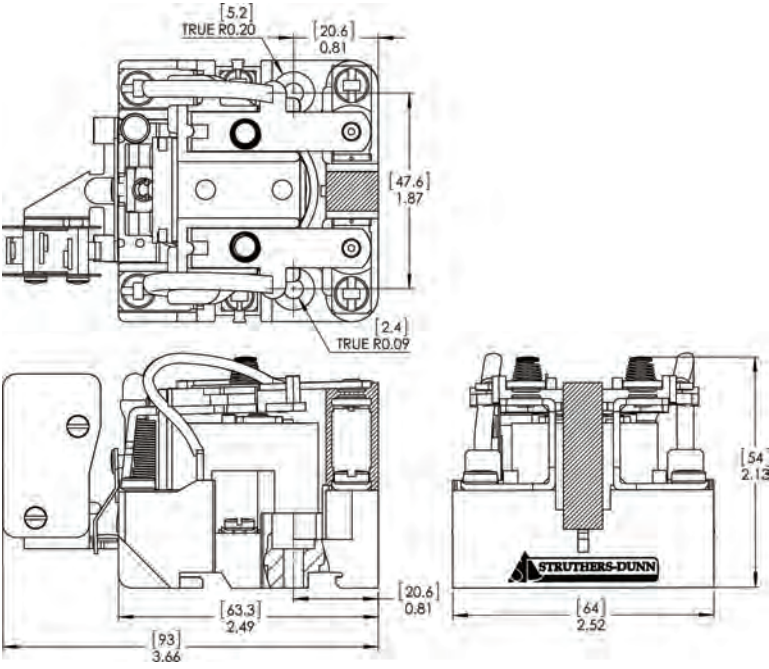
***NOTE: Covers cannot be used on relays with QC Terminals Auxiliary Switches or 50A relays with AC Coils.**



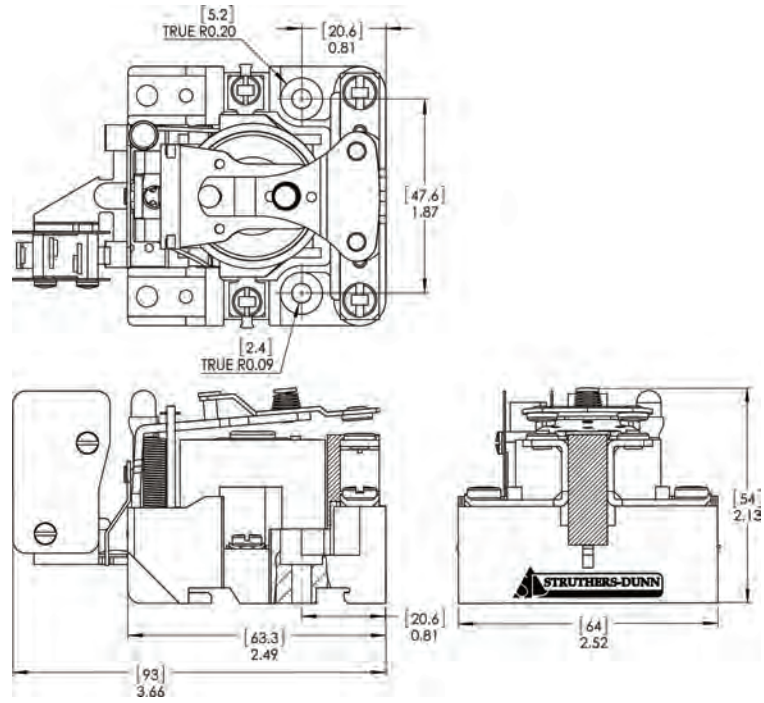
450 SERIES HEAVY DUTY POWER RELAY

OUTLINE DIMENSIONS

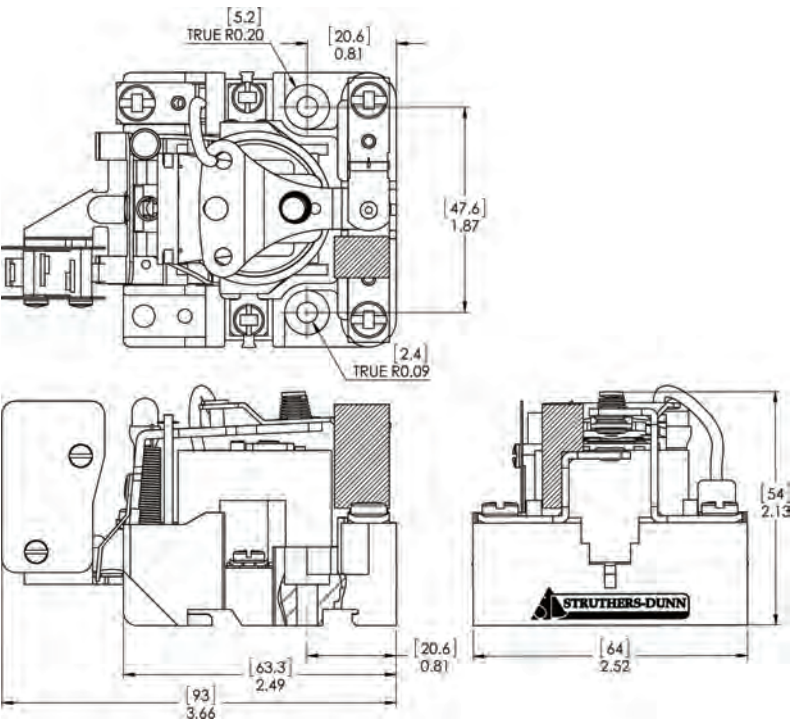
450BXX (DPST - 2 FORM A)



450HXX (SPST-NO-DM - 1 FORM X)



450XAX (SPDT - 1 FORM C)



450XBX (DPDT - 2 FORM C)

