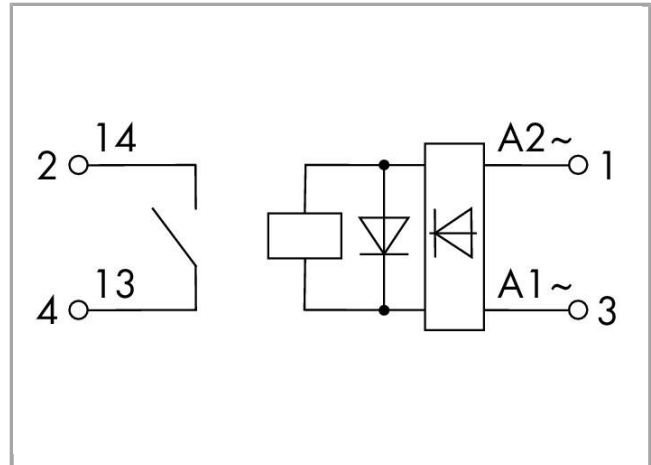


Data sheet | Item number: 2042-3809

Relay module; 230 VAC/VDC; Relay with 1 changeover contact (1u)

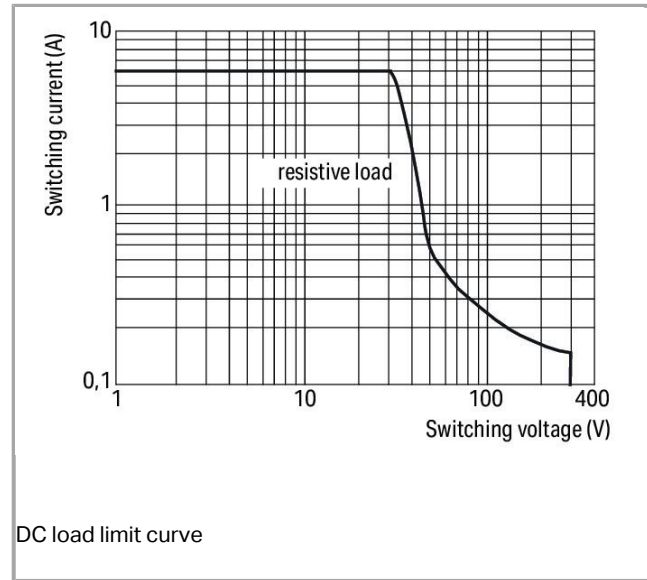
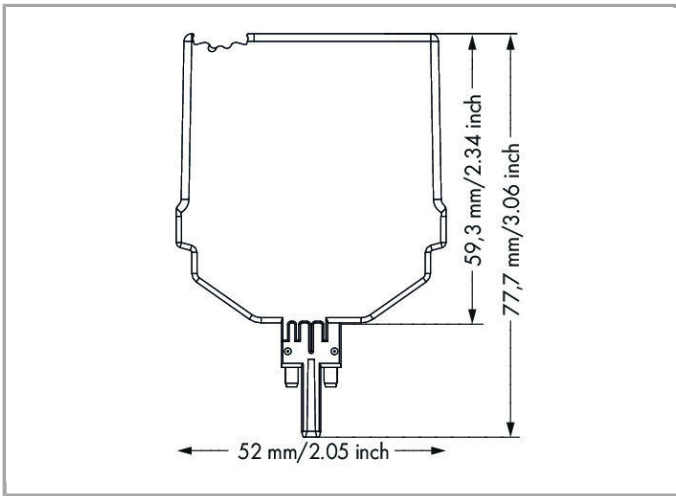
[www.wago.com/2042-3809](http://www.wago.com/2042-3809)



RoHS  Compliant

[BOMcheck.net](http://BOMcheck.net)

Similar to picture



DC load limit curve

**Data**

**Technical Data**

**Control circuit**

Nominal input voltage $U_N$	AC/DC 24 ... 230 V
Input voltage range	$\pm 10\%$
Nominal input current at $U_N$	1.7 mA (230 V); 26.3 mA (24 V)

**Load circuit:**

Number of make contacts/switch on contacts	1
Contact material (relay)	AgSnO <sub>2</sub>
Limiting continuous current	3 A
Max. switching voltage	AC 250 V
Max. switching power (resistive)	AC 750 VA; DC see load limit curve
Recommended minimum load	10 V / 10 mA; 24 V / 1 mA
Min. switching current	0 $\mu$ A
Pull-in time (typ.)	8 ms
Drop-out time (typ.)	4 ms
Drop-out time	$\leq 0 \mu$ s
Electrical life (N.O.; resistive load; 23 °C)	$50 \times 10^3$ switching operations
Mechanical life (N.O.; resistive load; 23 °C)	$5 \times 10^6$ switching operations

**Signaling**

Status indication	LED green
-------------------	-----------