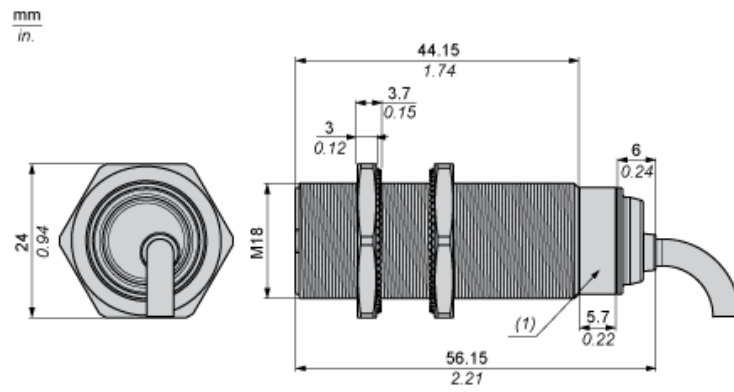


Dimensions



(1) LED

Minimum Mounting Distances

Side by side



$e (1) \geq 20 \text{ mm}/0.79 \text{ in.}$

Face to face



$e (2) \geq 6 \text{ mm}/3.78 \text{ in.}$

Facing a metal object



$e (3) \geq 30 \text{ mm}/1.18 \text{ in.}$

Mounted in a metal support



$d \geq 28 \text{ mm}/1.10 \text{ in.}$

$h \geq 3.6 \text{ mm}/0.14 \text{ in.}$