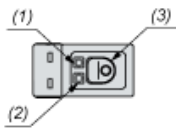


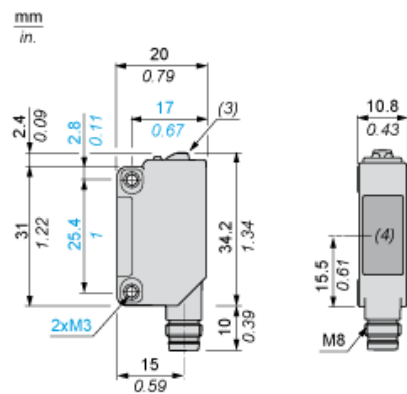
Dimensions

Receiver. Connector Version

Description



Dimensions



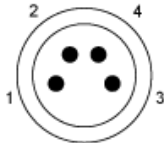
- (1) Output indicator (orange)
- (2) Stability indicator (green)
- (3) Setting pushbutton
- (4) Reception

---

Connections and Schema

---

M8 Connector



- 3 : (-)
- 1 : (+)
- 4 : OUT/Output