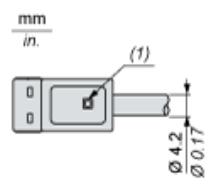


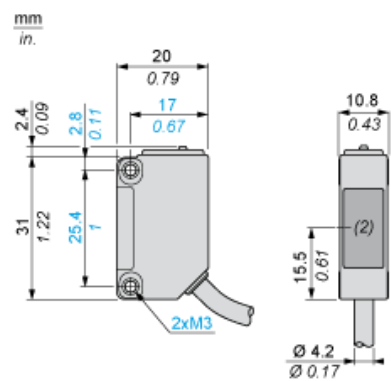
Dimensions

Transmitter. Pre-cable Version

Description



Dimensions



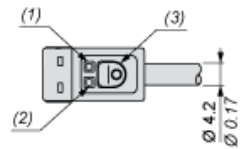
- (1) Power supply indicator (orange)
- (2) Transmission

Dimensions

Receiver. Pre-cable Version

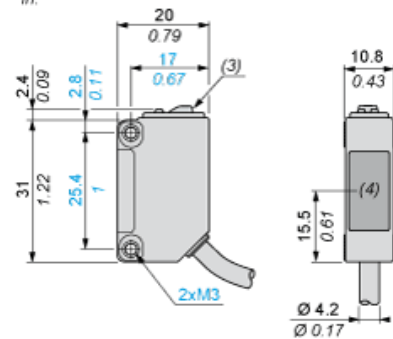
Description

$\frac{\text{mm}}{\text{in.}}$



Dimensions

$\frac{\text{mm}}{\text{in.}}$



- (1) Output indicator (orange)
- (2) Stability indicator (green)
- (3) Setting pushbutton
- (4) Reception