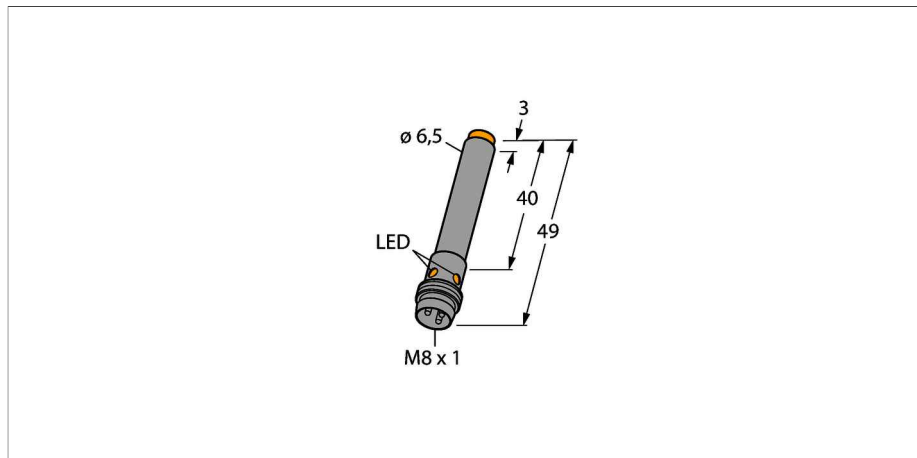


NI6U-EH6.5-AP6X-V1131

Inductive sensor



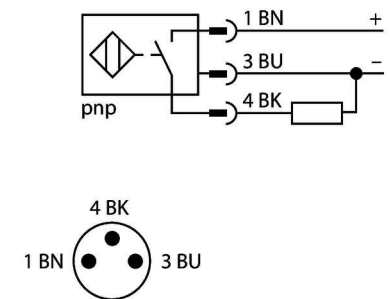
Features

- Smooth barrel, Ø 6.5 mm
- Stainless steel, 1.4404
- Factor 1 for all metals
- Protection class IP68
- Resistant to magnetic fields
- Large switching distance
- High switching frequency
- Integrated protection against pre-attenuation
- Little metal-free spaces
- DC 3-wire, 10...30 VDC
- NO contact, PNP output
- M8 x 1 male connector

Technical data

Type	NI6U-EH6.5-AP6X-V1131
ID number	4631510
Rated switching distance	6 mm
Mounting conditions	Non-flush
Secured operating distance	$\leq (0,81 \times S_n)$ mm
Repeat accuracy	$\leq 2\%$ of full scale
Temperature drift	$\leq \pm 10\%$
Hysteresis	3...15 %
Ambient temperature	-25...+70 °C
Operating voltage	10...30 VDC
Residual ripple	$\leq 10\% U_{is}$
DC rated operational current	≤ 150 mA
No-load current	≤ 15 mA
Residual current	≤ 0.1 mA
Isolation test voltage	≤ 0.5 kV
Short-circuit protection	yes / Cyclic
Voltage drop at	≤ 1.8 V
Wire breakage/Reverse polarity protection	yes / Complete
Output function	3-wire, NO contact, PNP
Protection class	☐
Switching frequency	1 kHz
Design	Smooth barrel, 6.5 mm
Dimensions	49 mm
Housing material	Metal, V2A (1.4301)
Active area material	Plastic, PA12-GF20
Electrical connection	Connector, M8 x 1
Vibration resistance	55 Hz (1 mm)

Wiring diagram

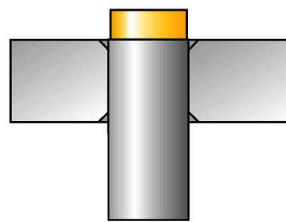
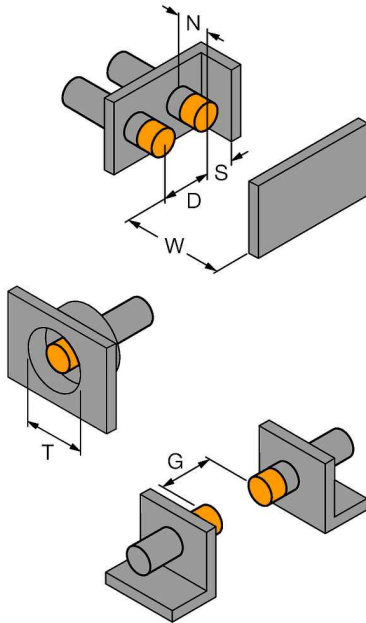


Inductive sensors detect metal objects contactless and wear-free. Due to the patented multi-coil system, *uprox*[®] sensors have distinct advantages over conventional sensors. They excel in largest switching distances, maximum flexibility and operational reliability as well as efficient standardization.

Technical data

Shock resistance	30 g (11 ms)
Protection class	IP68
MTTF	874 years acc. to SN 29500 (Ed. 99) 40 °C
Switching state	LED yellow

Mounting instructions/Description



Distance D	26 mm
Distance W	18 mm
Distance T	26 mm
Distance S	10 mm
Distance G	36 mm
Distance N	12 mm
Diameter active area B	Ø 6.5 mm

All non-flush mountable cylindrical *uprox*[®]+ sensors can be screwed to the upper edge of the barrel. Safe operation of the Ø 6.5 mm version is guaranteed with reduced switching distance of max. 30%.

Wiring accessories

Type	ID number
PKGV3M-2/TEL	6625385

Connection cable, female M8, straight, 3-pin, stainless steel coupling nut, cable length: 2 m, sheath material: PVC, black; cULus approval; other cable lengths and qualities available, see www.turck.com

