

DPS Series 30W, 60W AC/DC DIN Rail Power Supplies



AC - DC DIN rail mountable 30W and 60W class 2 power supplies

- UL, cUL, CE
- Universal input 85~264VAC
- High efficiency
- Short circuit protection
- Internal input filter
- 3 Year warranty



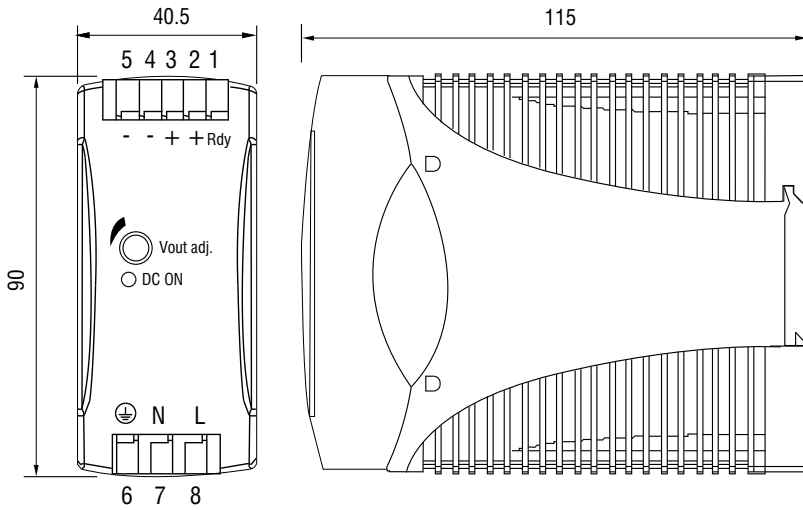
Specifcaton

| Model | DPS-1-030-24 | DPS-1-060-24 |
|---------------------------------------|---------------------------------------------------------|----------------------------|
| Input Voltage | 85~264VAC | |
| Output Wattage | 30W | 60W |
| Output Voltage | 24VDC (Other output voltages available on request) | |
| Output Current | 1250mA | 2500mA |
| Efficiency (min/typ) | 83/86% | 86/89% |
| General Specification | | |
| Isolation voltage | 3000VAC | |
| Isolation resistance | 100MΩ @ 500VDC | |
| Ambient temperature | -10 to +71°C | |
| Derating (from 61 to 71°C) | 2.5%/°C | |
| Storage temperature | -25 to +85°C | |
| Relative humidity | 20 to 90% RH | |
| Cooling | Free air convection | |
| Dimensions | L90 x W40.5 x D115 mm | |
| Weight | 290g | 360g |
| Case material | Plastic | |
| Input Specifications | | |
| Rated input voltage | 100 to 240VAC | |
| Input voltage range | 85 to 264VAC, 90 to 375VDC | |
| Line frequency | 47 to 63Hz | |
| Inrush current | 20A @ 115VAC, 40A @ 230VAC | 30A @ 115VAC, 60A @ 230VAC |
| Output Specifications | | |
| Output voltage accuracy | ±1% | |
| Minimum load | 0% | |
| Line regulation | 0.5% | |
| Load regulation | 0.5% | |
| Turn on time | 1000mS after AC applied to input at full resistive load | |
| Voltage fall time | 150mS | |
| Voltage rise time | 150mS at full resistive load | |
| Hold up time | 20mS @ 115VAC, 30mS @ 230VAC | |
| Temperature coefficient | ±0.02%/°C | |
| Ripple & noise | 50mV | |
| Voltage trim range | 24 to 28VDC | |
| DC ON indicator threshold at start up | 19.2VDC | |
| Control and Protection | | |
| Rated over load protection | 110 to 140% | 110 to 150% |
| Over voltage protection | 30 to 33VDC | |
| Output short circuit | Fold forward | |
| Approvals and Standards | | |
| CE, UL/cUL | | |

DPS Series 30W, 60W AC/DC DIN Rail Power Supplies



Dimensions (mm)



Pin connections

| Key | Description |
|-----------|------------------------------------------------------------------|
| Rdy (1) | DC OK output for relay (24V models only) |
| + | (2) Positive output terminal |
| + | (3) Positive output terminal |
| - | (4) Negative output terminal |
| - | (5) Negative output terminal |
| ⊕ | (6) Ground terminal to minimize high-frequency emissions |
| N | (7) Input terminals (neutral conductor, no polarity at DC input) |
| L | (8) Input terminals (phase conductor, no polarity at DC input) |
| DC ON | Operation indicator LED |
| Vout adj. | Trimmer-potentiometer for Vout adjustment |

Installation

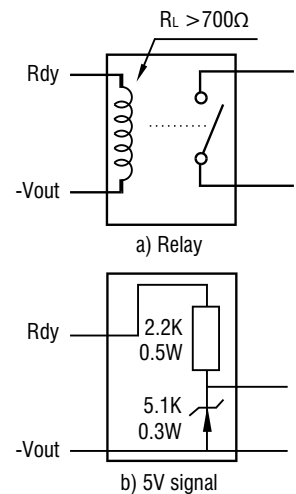
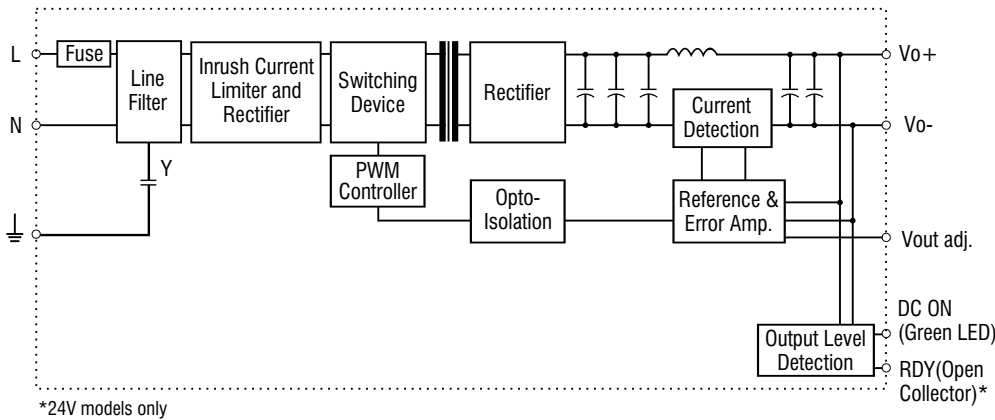
Ventilation/Cooling
Normal convection
All sides 25mm free space
for cooling recommended

Terminal size range
2 Solid: 0.2-2.0mm (AWG24-14)
(use copper conductors only)

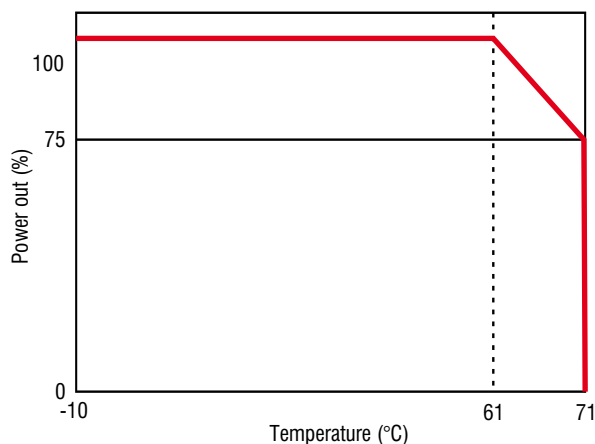
Construction

Easy, safe and secure
snap-on, snap-off
DIN-Rail mounting
(TS35/7.5 or TS35/15)

Connections



Derating



Rdy connections