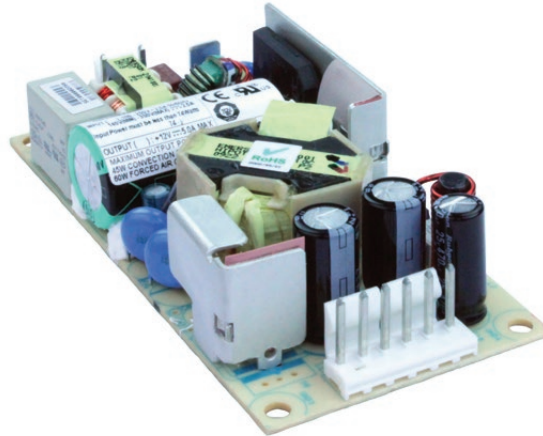


## NPS40-M Series

60 Watts

### Data Sheet

**Total Power:** 40 - 60 Watts  
**Input Voltage:** 90 - 264 Vac  
 127 - 300 Vdc  
**# of Outputs:** Single



### SPECIAL FEATURES

- Medical and ITE safety approvals
- Universal input
- Less than 1U high
- 2" x 4" footprint
- Remote sense
- Overload and short circuit protection
- Adjustable output voltage
- High efficiency
- High MTBF
- Built in EMI filter (CISPR 22 Class B)
- International Efficiency Level V, Energy Star 2.0 & CeC compliant (except NPS42-M)
- Less than 300 mW no-load power consumption
- 0 °C to +80 °C operation
- Input power < 74 watts
- Complies with EN61000-3-2
- Class I approved
- Class II approved (with Class A EMI)
- LPX100 enclosure kit available
- Dual AC fuses
- RoHS compliant

### SAFETY

- TUV: 60950, 60601-1
- UL: 60950, 60601-1
- CSA: 60950, 60601-1
- NEMKO: 60950, 60601-1
- CB: Certificate and report
- CE: Mark (LVD)
- CQC: Mark

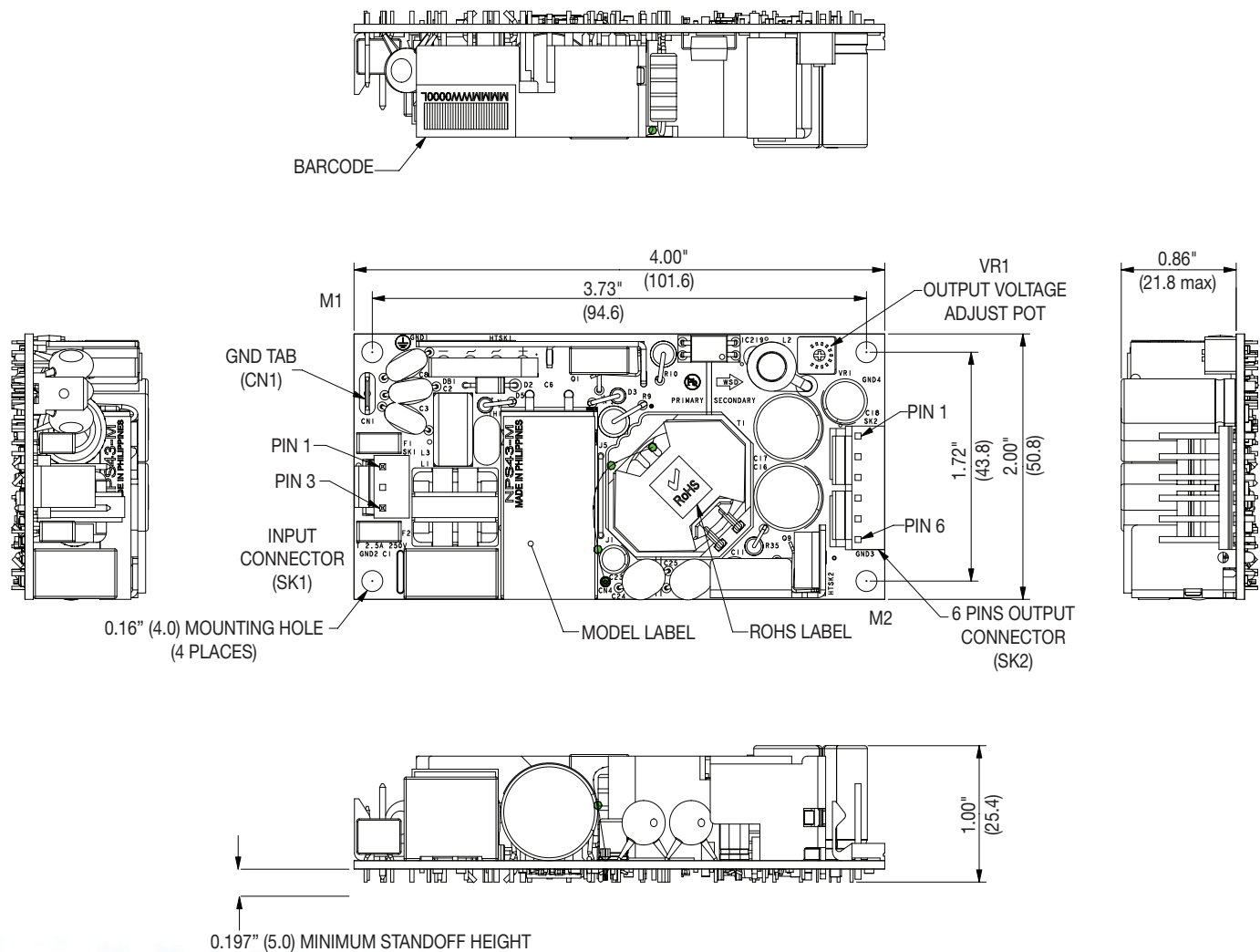
### Electrical Specifications

Input	
Input range	90 - 264 Vac (wide range) 127 - 300 Vdc
Frequency	47 - 63 Hz
Inrush current	< 50 A peak @ 230 Vac, cold start @ 25° C
Input power	< 74 Watts
Efficiency	87% average (as per Energy Star 2.0 standard) (NPS42-M, 80%)
EMI/RFI	FCC Class B conducted; CISPR 22 Class B conducted; EN55022 Class B conducted, VDE0878PT3 Class B conducted
Safety ground leakage current	275 µA @ 50/60 Hz; 264 Vac input
Output	
Maximum power	45 W for convection (NPS42-M, 40 W). 60 W with 200LFM forced air (NPS42-M, 55 W)
Adjustment range	±20% minimum (-10%, +20% for NPS42-M)
Hold-up time	13/75 ms 115/230 Vac input line
Overload protection	Short circuit protection on all outputs. Case overload protected @ 110-160% of normal rating
Overvoltage protection	30-50% above nominal output
Remote sense	Compensated for 0.5 V lead drop max. Will operate without remote sense connected. Reverse connection protected.

### Environmental Specifications

Operating temperature	0° to 50 °C ambient derate each output at 2.5% per degree from 50° to 80 °C. -20 °C start up
Storage temperature	-45 °C to +85 °C
Electromagnetic susceptibility	Designed to meet EN61000-4; -2, -3, -4, -5, -6, -8, -11 Level 3
Humidity	Operating; non-condensing 10% to 90% RH
Vibration	IEC68-2-6 to the levels of IEC721-3-2
MTBF demonstrated	> 550,000 hours at full load and 25 °C ambient conditions

### Mechanical Drawing



## Ordering Information

Model Number	Output Voltage	Minimum Load	Maximum Load with Convection Cooling	Maximum Load with 200LFM Forced Air	Peak Load <sup>1</sup>	Regulation <sup>2</sup>	Ripple P/P (PARD) <sup>3</sup>
NPS42-M	5 V	0 A	8 A	11 A	13 A	± 2%	50 mV
NPS43-M	12 V	0 A	3.75 A	5 A	5.5 A	± 2%	120 mV
NPS44-M	15 V	0 A	3 A	4 A	4.4 A	± 2%	150 mV
NPS45-M	24 V	0 A	1.9 A	2.5 A	2.75 A	± 2%	240 mV
NPS48-M	48 V	0 A	0.94 A	1.25 A	1.38 A	± 2%	480 mV

1. Peak current lasting < 15 seconds with a maximum 10% duty cycle.
2. At 25 °C including initial tolerance, line voltage, load currents and output voltages adjusted to factory settings.
3. Peak-to-peak with 20 MHz bandwidth and 10 µF (tantalum capacitor) in parallel with a 0.1 µF capacitor at rated line voltage and load ranges.
4. This product is a Component Power Supply and is only for inclusion by professional installers within other equipment and must not be operated as a standalone product. EMC compliance to appropriate standards must be verified at the system level. This product is for sale to OEMs and System Integrators, including through Distribution Channels. It is not intended for sale to End Users.

## Pin Assignments

Connector	NPS42-M	NPS43-M	NPS44-M	NPS45-M	NPS48-M
SK1-1	Line	Line	Line	Line	Line
SK1-3	Neutral	Neutral	Neutral	Neutral	Neutral
CN1	Ground	Ground	Ground	Ground	Ground
SK2-1	+5 V	+12 V	+15 V	+24 V	+48 V
SK2-2	+5 V	+12 V	+15 V	+24 V	+48 V
SK2-3	Common	Common	Common	Common	Common
SK2-4	Common	Common	Common	Common	Common
SK2-5	-Sense	-Sense	-Sense	-Sense	-Sense
SK2-6	+Sense	+Sense	+Sense	+Sense	+Sense

## Mating Connectors

<b>AC Input</b>	Molex 09-50-8031 (USA) 09-91-0300 (UK) PINS: 08-52-0113
<b>DC Outputs</b>	Molex 09-50-8061 (USA) 09-93-0600 (UK) PINS: 08-52-0113
Artesyn Embedded Technologies Connector Kit #70-841-006, includes all of the above	

### Notes:

1. Specifications subject to change without notice.
2. All dimensions in inches (mm), tolerance is ±0.02" (±0.5mm)
3. Mounting holes M1 and M2 should be grounded for EMI purposes.
4. Mounting hole M1 is safety ground connection.
5. Specifications are for convection rating at factory settings at 115 VAC input, 25 °C unless otherwise stated.
6. For DC input an external DC safety rated fuse must be used
7. Warranty: 2 year
8. Weight: 0.26lbs/0.118kg

## WORLDWIDE OFFICES

### Americas

2900 S.Diablo Way  
Tempe, AZ 85282  
USA  
+1 888 412 7832

### Europe (UK)

Waterfront Business Park  
Merry Hill, Dudley  
West Midlands, DY5 1LX  
United Kingdom  
+44 (0) 1384 842 211

### Asia (HK)

14/F, Lu Plaza  
2 Wing Yip Street  
Kwun Tong, Kowloon  
Hong Kong  
+852 2176 3333

**ARTESYN**  
EMBEDDED TECHNOLOGIES

[www.artesyn.com](http://www.artesyn.com)

Artesyn Embedded Technologies, Artesyn and the Artesyn Embedded Technologies logo are trademarks and service marks of Artesyn Embedded Technologies, Inc. All other names and logos referred to are trade names, trademarks, or registered trademarks of their respective owners. © 2016 Artesyn Embedded Technologies, Inc. All rights reserved. For full legal terms and conditions, please visit [www.artesyn.com/legal](http://www.artesyn.com/legal).

For more information: [www.artesyn.com/power](http://www.artesyn.com/power)  
For support: [productsupport.ep@artesyn.com](mailto:productsupport.ep@artesyn.com)