

Specifications			
Model		CUS30M	CUS60M
<b>Output</b>			
Line Regulation	mV	See model selector	
Load Regulation	mV	See model selector	
Ripple & Noise	mV	See model selector	
Temperature Coefficient	%/°C	<0.02%/°C	
Minimum Load	-	No minimum load required	
Overcurrent Protection	-	>105% of rated current. Class 2 Limited Power Source (4)	
Overvoltage Protection (5)	V	> 115% of nominal output	>120% of nominal output
Remote Sense		No	
Indicators	-	None	
Parallel Operation	-	Not possible	
Series Operation	-	Possible, see installation manual	
<b>Environmental</b>			
Operating Temperature (-30°C start-up)		-20 to +70°C. Derate linearly to 50% load from +50 to +70°C (6)	
Storage Temperature	°C	-40° to +85°C	
Humidity (non condensing)	%RH	10 - 95%RH (Operating & Storage)	
Cooling	-	Convection	
Altitude	m	5,000m, derate operating ambient by 5°C/1000m above 3,000m	
Withstand Voltage (For 1 minute)	VAC	Input to Ground 2kVAC (1xMOPP), Input to Output 4kVAC (2xMOPPs), Output to Ground 1.5kVAC (1xMOPP) suitable for B & BF rated equipment	
Isolation Resistance	MΩ	>100MΩ at 25°C, 70%RH & 500VDC	
Vibration (Non Operating)	-	10 - 55Hz: 19.6m/s <sup>2</sup> constant sweep 1 min X, Y, Z for 1 hour	
Shock	-	< 196.1 m/s <sup>2</sup> , MIL-STD-810F	
<b>Other</b>			
Size (WxLxH)	mm	50.8 x 76.2 x 24.2	50.8 x 76.2 x 26.7
Size (WxLxH)	Inches	2 x 3 x 0.95	2 x 3 x 1.05
Connectors (JST)		Input (CN1): B2P3-VH(LF)(SN) (Mates with VHR-3N housing).	
Option code /M for Molex	-	Output (CN-51): B4P-VH(LF)(SN) (Mates with VHR-4N)	
MTBF - Telcordia SR-332 issue 3 (7)	Hours	8,008,742	6,324,138
Warranty	yrs	3 years	

## Notes

See website for detailed specifications, test methods and installation manual

See installation manual for terminal pin and hand tool information

(1) Ripple level increases at light loading to meet new efficiency standards

(2) 115/230VAC. Average efficiency measured at 25, 50, 75 and 100% load

(3) CUS30M: Derate linearly to 80% load from 115VAC to 85VAC. CUS60M-12, 18 & 48: Derate linearly to 80% load from 100VAC to 85VAC. CUS60M-15 derate linearly to 60% load from 100Vac

(4) All models except CUS60M-5

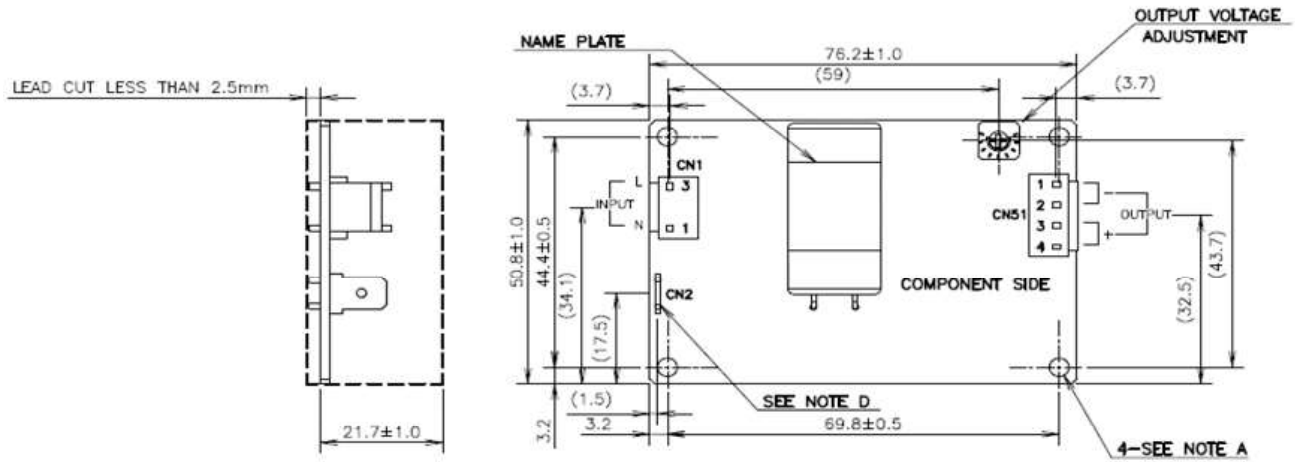
(5) Cycle AC input to reset

(6) CUS30M-48 and CUS60M-12: Derate linearly to 50% load from +45 to +70°C. CUS60M-15: 50% load from +40 to +70°C. Models with /A cover have additional derating, see website.

(7) 24V output model, 25°C ambient, full load, 230VAC input

## Mechanical Specification

### Outline Drawing CUS30M Series (Open Frame)



## Mechanical Specification

### Outline Drawing CUS60M Series (Open Frame)

