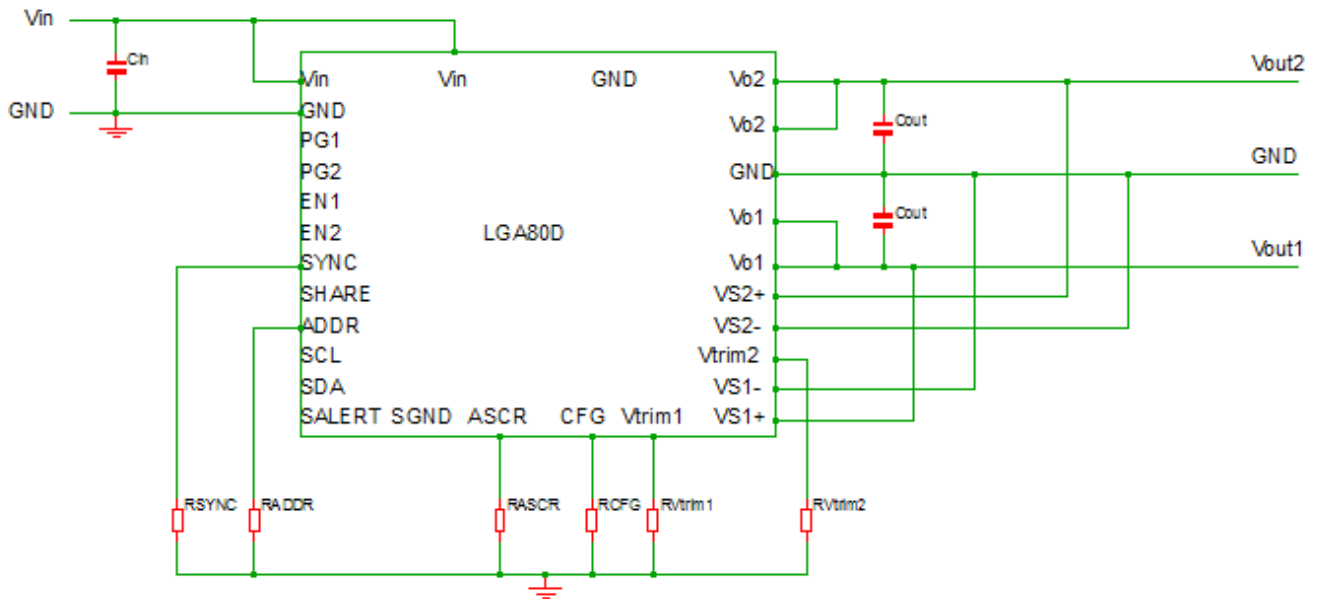
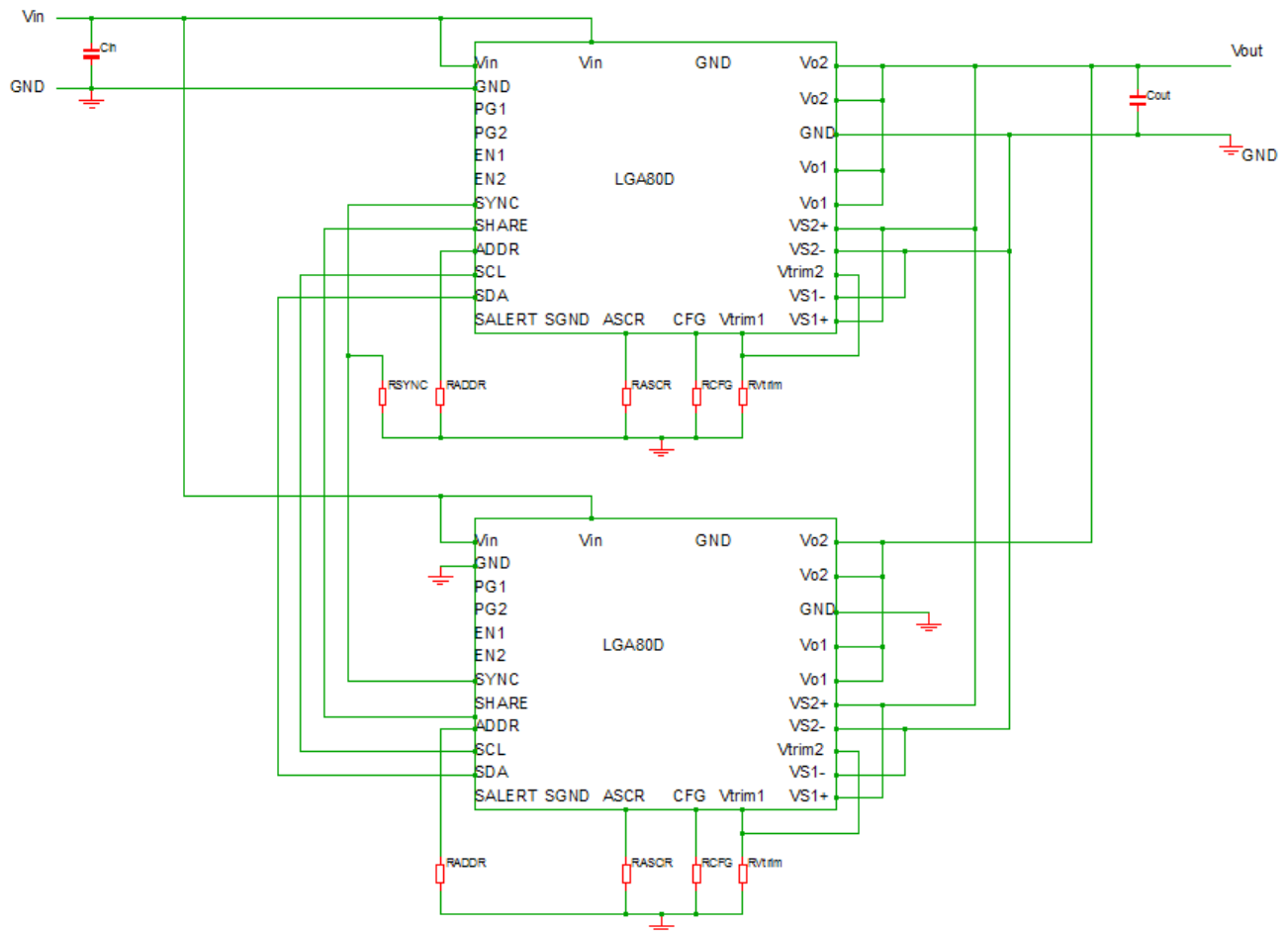


Block Diagram - One Module Two Outputs



Block Diagram - Two Modules One Output



Vout & Address Settings

Vout Setting	
RVtrim (k Ω)	Vout (V)
LOW	1
OPEN	1.2
HIGH	0.9
10	0.6
11	0.65
12.1	0.7
13.3	0.75
14.7	0.8
16.2	0.85
17.8	0.9
19.6	0.95
21.5	1
23.7	1.05
26.1	1.1
28.7	1.15
31.6	1.2
34.8	1.25
38.3	1.3
42.2	1.4
46.4	1.5
51.1	1.6
56.2	1.7
61.9	1.8
68.1	1.9
75	2
82.5	2.1
90.9	2.2
100	2.3
110	2.5
121	2.8
133	3
147	3.3
162	4
178	5

Address Setting	
RADDR (k Ω)	SMbus ADDRESS
LOW	40h
OPEN	42h
10	41h
11	43h
12.1	44h
13.3	45h
14.7	46h
16.2	47h
17.8	48h
19.6	49h
21.5	4Ah
23.7	4Bh
26.1	4Ch
28.7	4Dh
31.6	4Eh
34.8	4Fh
42.2	51h
46.4	52h
51.1	53h
56.2	54h
61.9	55h
68.1	56h
75	57h
82.5	58h
90.9	59h
100	5Ah
110	5Bh
121	5Ch
133	5Dh
147	5Eh
162	5Fh
178	60h