

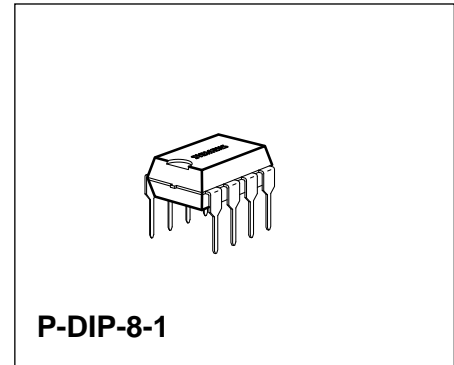
Control IC for Switched-Mode Power Supplies using MOS-Transistors

TDA 4605

Bipolar IC

Features

- Fold-back characteristic provides overload protection for external components
- Burst operation under short-circuit conditions
- Loop error protection
- Switch-off if line voltage is too low (undervoltage switch-off)
- Line voltage compensation of overload point
- Soft-start for quiet start-up
- Chip-over temperature protection (thermal shutdown)
- On-chip parasitic transformer oscillation suppression circuitry



Type	Ordering Code	Package
TDA 4605	Q67000-A8078	P-DIP-8-1

The IC TDA 4605-1 controls the MOS-power transistor and performs all necessary regulation and monitoring functions in free running flyback converters. Since good load regulation over a wide load range is attained, this IC is applicable for consumer and industrial power supplies.

The serial circuit of power transistor and primary winding of the flyback transformer is connected to the input voltage. During the switch - on period of the transistor, energy is stored in the transformer and during the switch - off period it is fed to the load via the secondary winding. By varying switch-on time of the power transistor, the IC controls each portion of energy transferred to the secondary side such that the output voltage remains nearly independent of load variations.

The required control information is taken from the input voltage during the switch-on period and from a regulation winding during the switch-off period.

In the different load ranges the switched-mode power supply (SMPS) behaves as follow:

No load operation:

The power supply unit oscillates at its resonant frequency typ. 100 kHz to 200 kHz. Depending upon the transformer windings the output voltage can be slightly above nominal value.

Nominal operation:

The switching frequency declines with increasing load and decreasing AC-voltage. The duty factor primarily depends on the AC-voltage. The output voltage is load-dependent only.

Overload point:

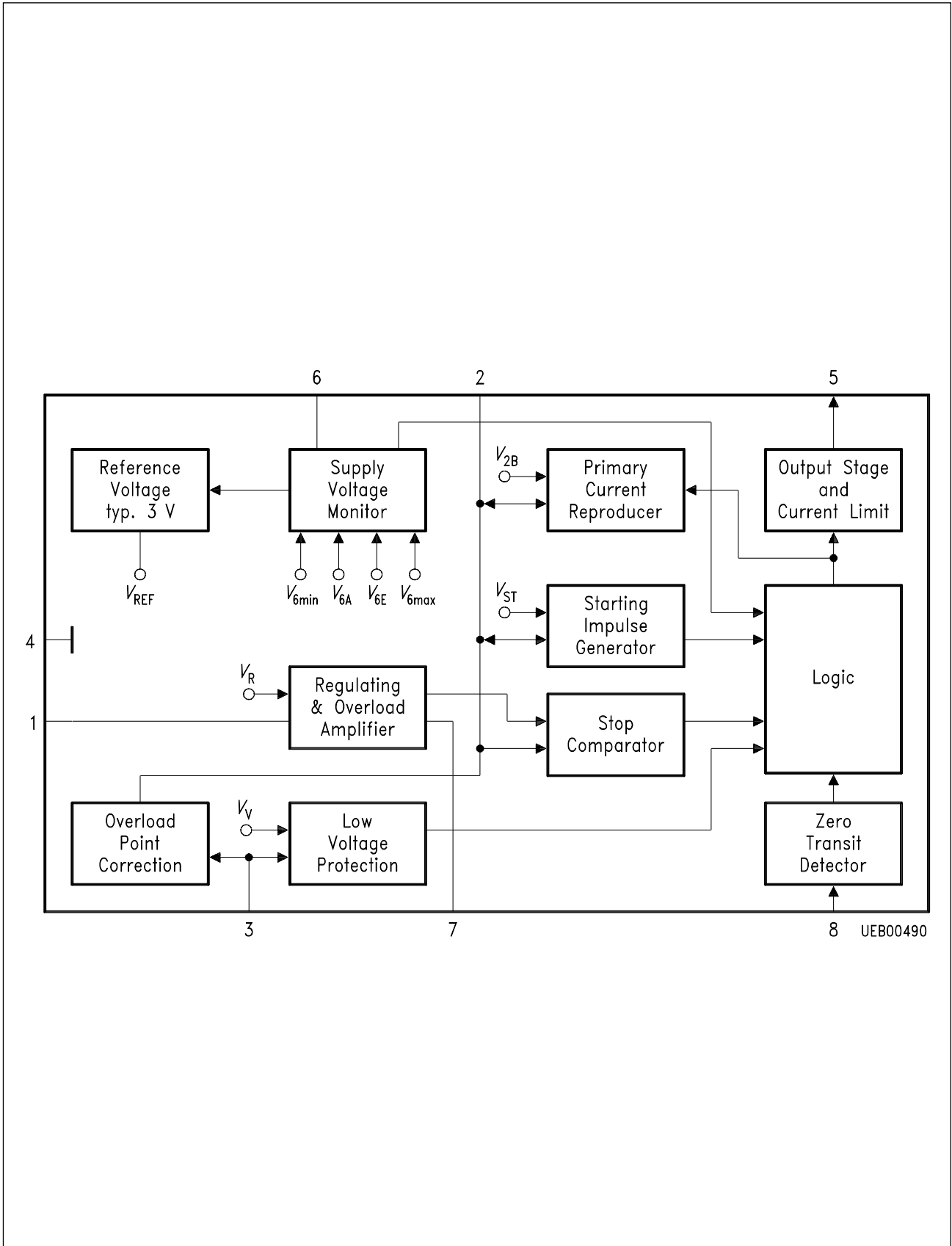
Maximal output power is available at this point of the output characteristic.

Overload:

The energy transferred per operation cycle is limited at the top. Therefore the output voltage declines by secondary overloading.

Pin Definitions and Functions

Pin No.	Function
1	Regulating Voltage: Information input concerning secondary voltage. By comparing the regulating voltage - obtained from the regulating winding of the transformer - with the internal reference voltage, the output impulse width on pin 5 is adapted to the load of the secondary side (normal, overload, short-circuit, no load).
2	Primary Current Simulation: Information input regarding the primary current. The primary current rise in the primary winding is simulated at pin 2 as a voltage rise by means of external RC-element. When a value is reached that is derived from the regulating voltage at pin 1, the output impulse at pin 5 is terminated. The RC-element serves to set the maximum power at the overload point set.
3	Input for Primary Voltage Monitoring: In the normal operation V_3 is moving between the thresholds V_{3H} and V_{3L} ($V_{3H} > V_3 > V_{3L}$). $V_3 < V_{3L}$: SMPS is switched OFF (line voltage too low). $V_3 > V_{3H}$: Compensation of the overload point regulation (controlled by pin 2) starts at V_{3H} : $V_{3L} = 1.7$.
4	Ground
5	Output: Push-pull-output provides ± 1 A for rapid charge and discharge of the gate capacitance of the power MOS-transistor.
6	Supply Voltage Input: A stable internal reference voltage V_{REF} is derived from the supply voltage also the switching thresholds V_{6A} , V_{6E} , $V_{6\max}$ and $V_{6\min}$ for the supply voltage detector. If $V_6 > V_{6E}$ then V_{REF} is switched on and switched off when $V_6 < V_{6A}$. In addition the logic is only enable for $V_{6\min} < V_6 < V_{6\max}$.
7	Soft-Start: Input for soft-start. Start-up will begin with short pulses by connecting a capacitor from pin 7 to ground.
8	Zero Detector: Input for the oscillation feedback. After starting oscillation, every zero transit of the feedback voltage (falling edge) triggers an output impulse at pin 5. The trigger threshold is at + 50 mV typical.



Block Diagram

Circuit Description

Application Circuit

Application circuit shows a flyback converter for video recorders with a power rating of 50 W. The circuit is designed as a wide-range power supply for AC-line voltages of 90 to 270 V. The AC-input voltage is rectified by bridge rectifier GR1 and smoothed by C_1 . The NTC limits the rush in current.

In the period before the switch-on threshold is reached the IC is supplied via resistor R_1 ; during the start-up phase it uses the energy stored in C_2 , under steady-state conditions the IC receives its supply voltage from transformer winding n_1 via diode D1. The switching transistor T1 is a BUZ 90. The parallel-connected capacitor C_3 and the inductance of primary winding 112 determine the system resonance frequency. The $R_2 - C_4 - D2$ circuitry limits overshoot peaks, and R_3 protects the gate of T1 against static charges.

While T1 conducts, the current rise in the primary winding depends on the winding's inductance and the V_{C1} voltage. A voltage reproduction of the current rise is tapped using the $R_4 - C_5$ network and forwarded into pin 2 of the IC. The RC-time constant of R_4 , R_5 must be dimensioned correctly in order to prevent driving the transformer core into saturation.

The R_{10}/R_{11} divider ratio provides the line voltage threshold controlling the undervoltage control circuit in the IC. The voltage present at pin 3 also determines the overload. Detection of overload together with the current characteristic at pin 2 controls the on period of T1. This keeps the cut-off point stable even with higher AC-line voltages.

Regulation of the switched-mode power supply is via pin 1. The control voltage of winding n_1 during the off-period of T1 is rectified by D3, smoothed by C_6 and stepped down at an adjustable ratio by R_5 , R_6 and R_7 . The $R_6 - C_7$ network suppresses parasitic overshoots (transformer oscillation). The peak voltage at pin 2, and thus the primary peak current, is adjusted by the IC so that the voltage applied across the control winding, and hence the output voltages, are at the desired level.

When the transformer has supplied its energy to the load, the control voltage passes through zero. The IC detects the zero crossing via series resistors R_9 connected to pin 8. But zero crossings are also produced by transformer oscillation after T1 has turned off if output is short-circuited. Therefore the IC ignores zero crossings occurring within a specified period of time after T1 turn-off.

The capacitor C_8 connected to pin 7 causes the power supply to be started with shorter pulses to keep the operating frequency outside the audible range during start-up.

On the secondary side, five output voltages are produced across winding n_3 to n_7 rectified by D4 to D8 and smoothed by C_9 to C_{13} . Resistors R_{12} , R_{14} and R_{19} to R_{21} are used as bleeder resistors. Fusible resistors R_{15} to R_{18} protect the rectifiers against short circuits in the output circuits, which are designed to supply only small loads.

Block Diagram

Pin 1

The regulating voltage forwarded to this pin is compared with a stable internal reference voltage V_R in the **regulating and overload amplifier**. The output of this stage is tied to the stop comparator.

Pin 2

A voltage proportional to the drain current of the switching transistor is generated there by the external RC-combination in conjunction with the **primary current transducer**. The output of this transducer is controlled by the logic and referenced to the internal stable voltage V_{2B} . If the voltage V_2 exceeds the output voltage of the regulating amplifier, the logic is reset by the stop comparator and consequently the output of pin 5 is switched to low potential. Further inputs for the logic stage are the output for the **start impulse generator** with the stable reference potential V_{ST} and the **supply voltage monitor**.

Pin 3

The down-divide primary voltage applied there stabilizes the overload point. In addition the logic is disabled in the event of low voltage by comparison with the internal stable voltage V_V in the primary voltage monitor block.

Pin 4

Ground

Pin 5

In the output stage the output signals produced by the logic are shifted to a level suitable for MOS-power transistors.

Pin 6

From the supply voltage V_6 are derived a stable internal reference V_{REF} and the switching threshold V_{6A} , V_{6E} , $V_{6\max}$ and $V_{6\min}$ for the supply voltage monitor. All reference values (V_R , V_{2B} , V_{ST}) are derived from V_{REF} . If $V_6 > V_{VE}$ the V_{REF} is switched on and switched off when $V_6 < V_{6A}$. In addition, the logic is released only for $V_{6\min} < V_6 < V_{6\max}$.

Pin 7

The output of the overload amplifier is connected to pin 7. A load on this output causes a reduction in maximal impulse duration. This function can be used to implement a soft start, when pin 7 is connected to ground by a capacitor.

Pin 8

The zero detector controlling the logic block recognizes the transformer being discharged by positive to negative zero crossing of pin 8 voltage and enables the logic for a new pulse. Parasitic oscillations occurring at the end of a pulse cannot lead to a new pulse (double-pulsing), because an internal circuit inhibits the zero detector for a finite time t_{UL} after the end of each pulse.

Start-Up Behaviour

The start-up behaviour of the application circuit per sheet 48 is represented on sheet 50 for a line voltage barely above the lower acceptable limit voltage value (without soft-start). After applying the line voltage at the time t_0 to the following voltages built up:

- V_6 corresponding to the half-wave charge current over R_1
- V_2 to $V_{2\max}$ (typically 6.6 V)
- V_3 to the value determined by the divider R_{10}/R_{11} .

The current drawn by the IC in this case is less than 1.6 mA. If V_6 reaches the threshold V_{6E} (time point t_1), the IC switches on the internal reference voltage. The current draw max. rises to 12 mA. The primary current- voltage reproducer regulates V_2 down to V_{2E} and the starting impulse generator generates the starting impulses from time point t_5 to t_6 . The feedback to pin 8 starts the next impulse and so on. All impulses including the starting impulse are controlled in width by regulating voltage of pin 1. When switching on this corresponds to a short-circuit event, i.e. $V_1 = 0$. Hence the IC starts up with "short-circuit impulses" to assume a width depending on the regulating voltage feedback (the IC operates in the overload range). The maximum pulse width is reached at time point t_2 ($V_2 = V_{2\max}$). The IC operates at the overload point. Thereafter the peak values of V_2 decrease rapidly, as the IC is operating within the regulation range. The regulating loop has built up. If voltage V_6 falls below the switch-off threshold $V_{6\min}$ before the reversal point is reached, the starting attempt is aborted (pin 5 is switched to low). As the IC remains switched on, V_6 further decreases to V_6 . The IC switches off; V_6 can rise again (time point 14) and a new start-up attempt begins at time point t_1 . If the rectified alternating line voltage (primary voltage) collapses during load, V_3 can fall below V_{3A} , as is happening at time point t_3 (switch-on attempt when voltage is too low). The primary voltage monitor then clamps V_3 to V_{3S} until the IC switches off ($V_6 < V_{6A}$). Then a new start-up attempt begins at time point t_1 .

Regulation, Overload and No-Load Behaviour

When the IC has started up, it is operating in the regulation range. The potential at pin 1 typically is 400 mV. If the output is loaded, the regulation amplifier allows broader impulses ($V_5 = H$). The peak voltage value at pin 2 increases up to $V_{2S \max}$. If the secondary load is further increased, the overload amplifier begins to regulate the pulse width downward. This point is referred to as the overload point of the power supply. As the IC supply voltage V_6 is directly proportional to the secondary voltage, it goes down in accordance with the overload regulation behaviour. If V_6 falls below the value $V_{6 \min}$, the IC goes into burst operation. As the time constant of the half-wave charge-up is relatively large, the short-circuit power remains small. The overload amplifier cuts back to the pulse width t_{pk} . This pulse width must remain possible, in order to permit the IC to start-up without problems from the virtual short circuit, which every switching on with $V_1 = 0$ represents. If the secondary side is unloaded, the loading impulses ($V_5 = H$) become shorter. The frequency increases up to the resonance frequency of the system. If the load is further reduced, the secondary voltages and V_6 increase. When $V_6 = V_{6 \max}$, the logic is blocked. The IC converts to burst operation. This renders the circuit absolutely safe under no-load conditions.

Behaviour when Temperature Exceeds Limit

An integrated temperature protection disables the logic when the chip temperature becomes too high. The IC automatically interrogates the temperature and starts as soon as the temperature decreases to permissible values.

Absolute Maximum Ratings

$T_A = 25\text{ °C}$

Parameter		Symbol	Limit Values		Unit	Remarks
			min.	max.		
Voltages	pin 1	V_1	- 0.3	3	V	Supply voltage
	pin 2	V_2	- 0.3		V	
	pin 3	V_3	- 0.3		V	
	pin 5	V_5	- 0.3	V_6	V	
	pin 6	V_6	- 0.3	20	V	
	pin 7	V_7	- 0.3	6	V	
Currents	pin 1	V_1		3	mA	$t_p \leq 50\ \mu\text{s}; v \leq 0.1^*$ $t_p \leq 50\ \mu\text{s}; v \leq 0.1$ $t_p \leq 50\ \mu\text{s}; v \leq 0.1$
	pin 2	V_2		3	mA	
	pin 3	V_3		3	mA	
	pin 4	V_4	- 1.5		A	
	pin 5	V_5	- 1.5	1.5	A	
	pin 6	V_6		1.5	A	
	pin 7	V_7		3	mA	
	pin 8	V_8	- 3	3	mA	
Junction temperature		T_j		125	°C	
Storage temperature		T_{stg}	- 40	125	°C	

Operating Range

Supply voltage	V_6	8	14	V	IC "on"
Ambient temperature	T_A	- 20	85	°C	
Heat resistance					
Junction environment	$R_{\text{th JE}}$		100	K/W	measured at pin 4
Junction case	$R_{\text{th JC}}$		70	K/W	

*) t_p = pulse width
v = duty circle

Characteristics

$T_A = 25\text{ °C}$

Parameter	Symbol	Limit Values			Unit	Test Condition	Test Circuit
		min.	typ.	max.			

Start-Up Hysteresis

Start-up current	I_{6E0}	0.5	1.1	1.6	mA	$V_6 = V_{6E}$	1
Switch-on voltage	V_{6E}	11	12	13	V		1
Switch-off voltage	V_{6A}	6.4	6.9	7.4	V		1
Switch-on current	I_{6E1}	7	9	12	mA	$V_6 = V_{6E}$	1
Switch-off current	I_{6A1}	6.5	8	10	mA	$V_6 = V_{6A}$	1

Voltage Clamp ($V_6 = 10\text{ V}$, IC switched off)

At pin 2 ($V_6 \leq V_{6E}$)	$V_{2\text{ max}}$	5.6	6.6	7.6	V	$I_2 = 1\text{ mA}$	1
At pin 3 ($V_6 \leq V_{6E}$)	$V_{3\text{ max}}$	5.6	6.6	7.6	V	$I_3 = 1\text{ mA}$	1

Regulation Range

Regulation input voltage	V_{1R}	370	400	430	mV		2
Voltage gain regulation range	$-V_R$	47	50	53	dB	$V_R = d(V_{2S} - V_{2B}) / -dV_1$	2
Regulation transmittance	R_R		20		k Ω	$R_R = d(V_{2S} - V_{2B}) / -dI_1$	2

Primary Current Reproducer

Basic value	V_{2B}	0.90	1.00	1.15	V		2
Input resistance $R_{2B} = \Delta V_{2B} / \Delta I_{2B}$	R_{2B}		25	40	Ω	$V_3 = 1.5\text{ V};$ $1.2\text{ V} < V_2 < 3\text{ V}$ $0.1\text{ mA} < I_{2B} < 3\text{ mA}$	2
Slew rate falling edge	dV_2/dt		-1		V		2

Characteristics (cont'd)

$T_A = 25\text{ °C}$

Parameter	Symbol	Limit Values			Unit	Test Condition	Test Circuit
		min.	typ.	max.			

Overload Range and Short-Circuit Operation

Overload range lower limit	V_{1U}	60	230	290	mV		2
Voltage gain in overload range	$V_{\ddot{U}}$	1	2	3		$V_{\ddot{U}} = d(V_{2S} - V_{2B})/dV_1$	2
Input current in short circuit operation	$-I_1$	90	120	180	μA	$V_1 = 0\text{ V}$	2
Peak value in overload range	$V_{2\ddot{U}}$		3.0		V	$V_1 = V_{1R} - 10\text{ mV}$	2
Peak value in short circuit operation	V_{2K}	2.2	2.6	3.0	V	$V_1 = 0\text{ V}$	2

Generally Valid Data ($V_6 = 10\text{ V}$)

Overload Point Correction

Overload point correction current	$-I_2$	400	660	850	μA	$V_3' = 4\text{ V}; V_2' = 0\text{ V}$	1
-----------------------------------	--------	-----	-----	-----	---------------	----------------------------------------	---

Zero Transition Detector Voltage

Positive clamp	V_{8P}	0.70	0.75	0.80	V	$I_8 = 1\text{ mA}$	2
Negative clamp	V_{8N}	-0.15	-0.22	-0.25	V	$I_8 = -1\text{ mA}$	2
Threshold value	V_{8S}	40	50		mV		2
Input current	$-I_8$		2	4	μA	$V_8 = 0$	2
Delay time between V_8 and V_5	t_{d2}	0.2	0.4	0.7	μs		2
Zero detector disable time	t_{UL}	2	2	6	μs		

Characteristics (cont'd)

$T_A = 25\text{ °C}$

Parameter	Symbol	Limit Values			Unit	Test Condition	Test Circuit
		min.	typ.	max.			

Output Stage

Saturation voltages S in position 1							
Output sourcing	V_{Sat0}		1.5	2.0	V	$I_5 = -0.1\text{ A}$	1
Output sourcing	V_{Sat0}		2.5	3.0	V	$I_5 = -1\text{ A}$	1
Output sinking	V_{SatV}		1.0	1.2	V	$I_5 = 0.1\text{ A}$	1
Output sinking	V_{SatV}		1.4	1.8	V	$I_5 = 0.5\text{ A}$	1
Output slew rate							
Rising slope	$+ dV_5/dt$		50		V/ μ s		2
Falling slope	$+ dV_5/dt$		80		V/ μ s		2

Soft-Start

Open-circuit	V_7	2.2	2.6	2.9	V	$V_1 = 0$	2
Input resistance	R_{7L}	4	6	9	k Ω	$0.5\text{ V} \leq V_7 \leq 3\text{ V}$	2
Peak voltage	V_{2S}	1.0	1.2	1.4	V	$V_7 = 0$	2

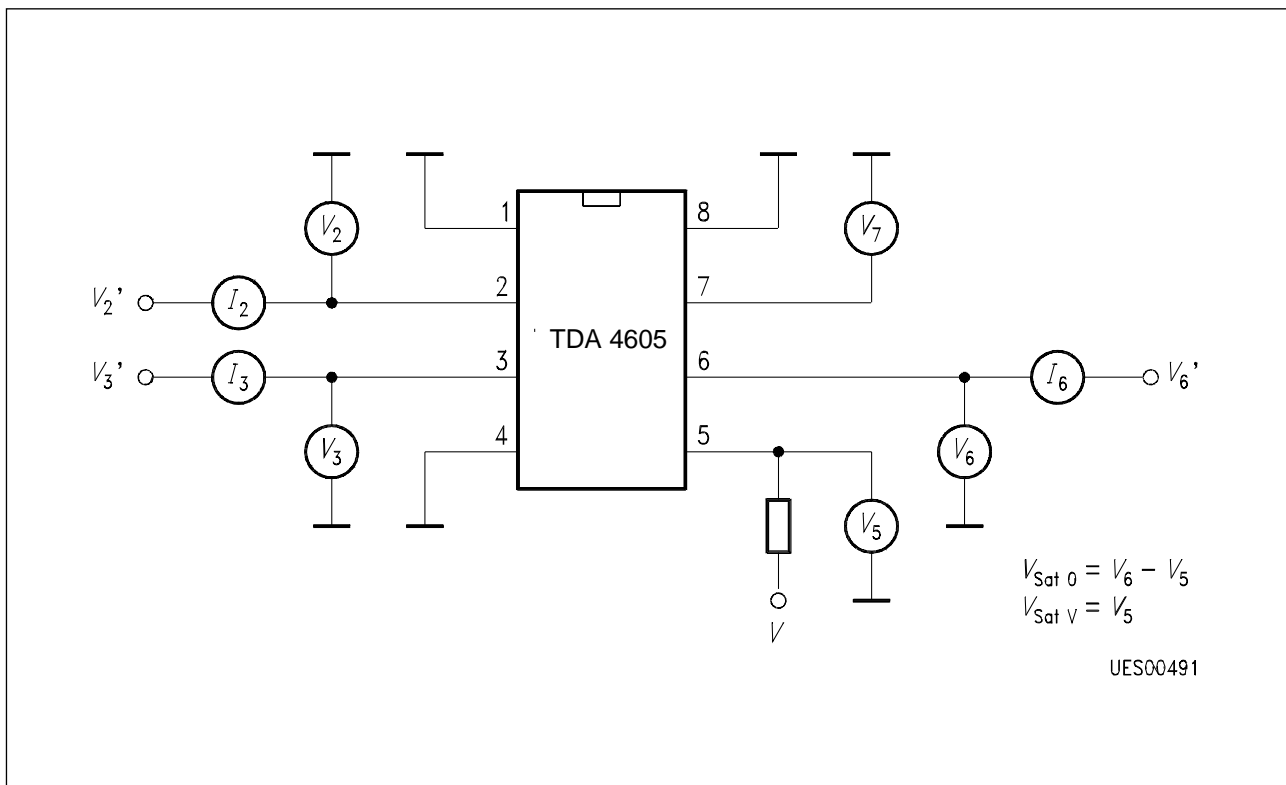
Protection Circuit

Undervoltage protection for V_6 at pin 5 = $V_{5\text{ min}}$ if $V_6 < V_{6\text{ min}}$ (definition: $V_{6\text{ min}} = V_{6A} + \Delta V_6$)	ΔV_6		100		mV		2
Overvoltage protection for V_6 voltage at pin 5 = $V_{5\text{ min}}$ if $V_6 > V_{6\text{ max}}$	$V_{6\text{ max}}$	14	15	16	V		2
Undervoltage protection for V_{AC} voltage at pin 5 = $V_{5\text{ min}}$ if $V_3 < V_{3A}$	V_{3A}	925	1000	1075	mV	$V_{2'} = 0\text{ V}$	1
Over temperature chip temperature for $V_{5\text{ min}}$	T_j		125		$^{\circ}\text{C}$	–	2

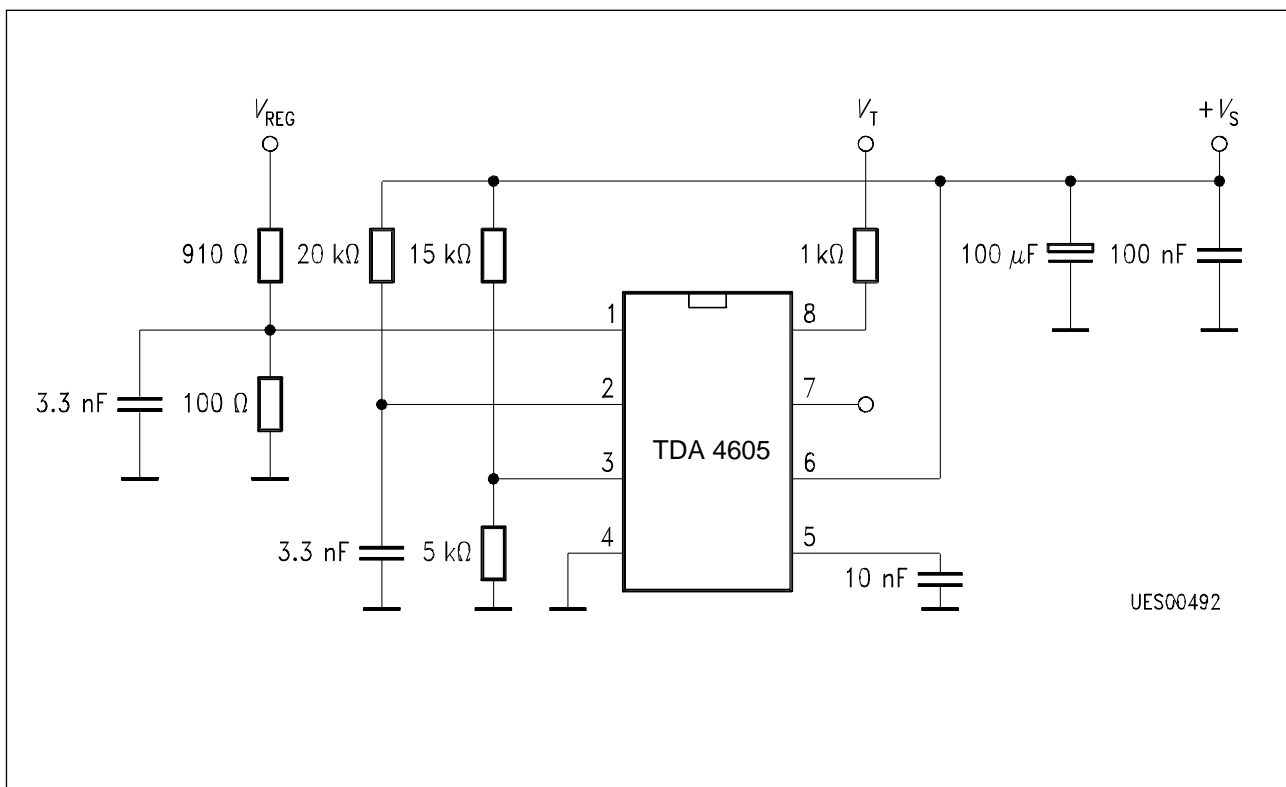
Characteristics (cont'd)

$T_A = 25\text{ °C}$

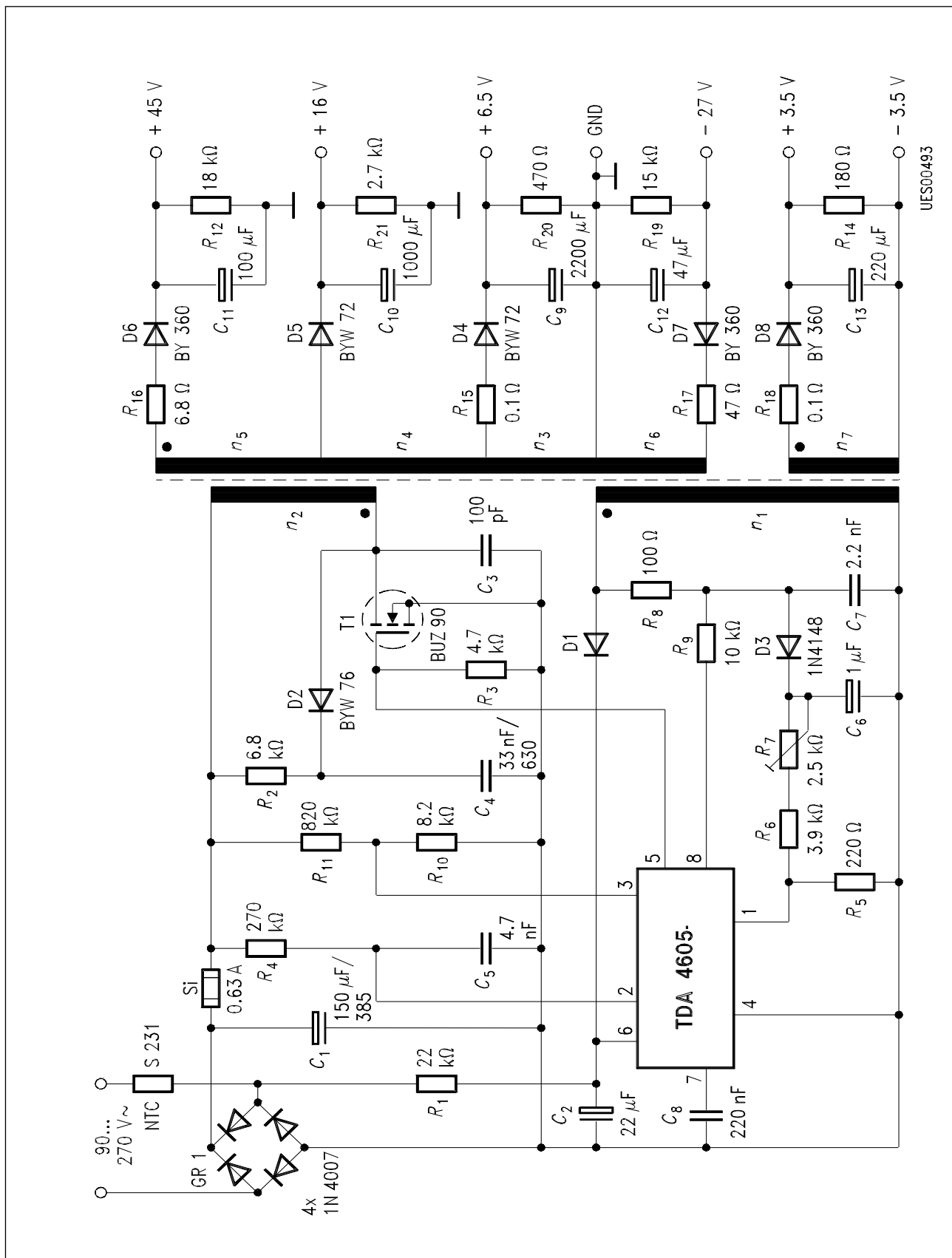
Parameter	Symbol	Limit Values			Unit	Test Condition	Test Circuit
		min.	typ.	max.			
Voltage at pin 3 when protection function occurred; (V_3 will be clamped until $V_6 < V_{6A}$)	V_{3S}		0.4	0.8	V	$I_3 = 1\text{ mA}$	1
Burst operation quiescent current	I_6		8		mA	$V_3 = V_2 = 0\text{ V}$	1



Test Circuit 1



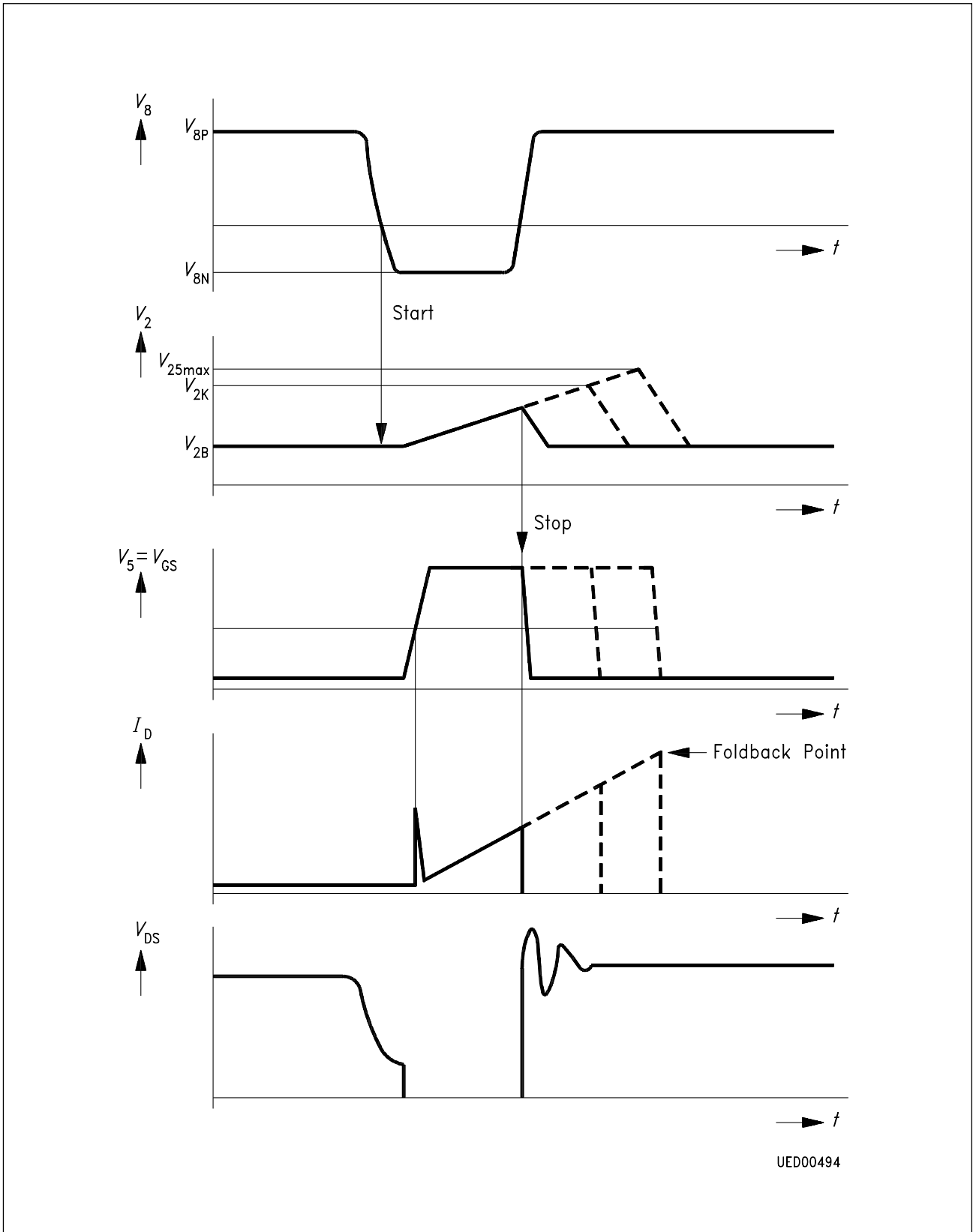
Test Circuit 2

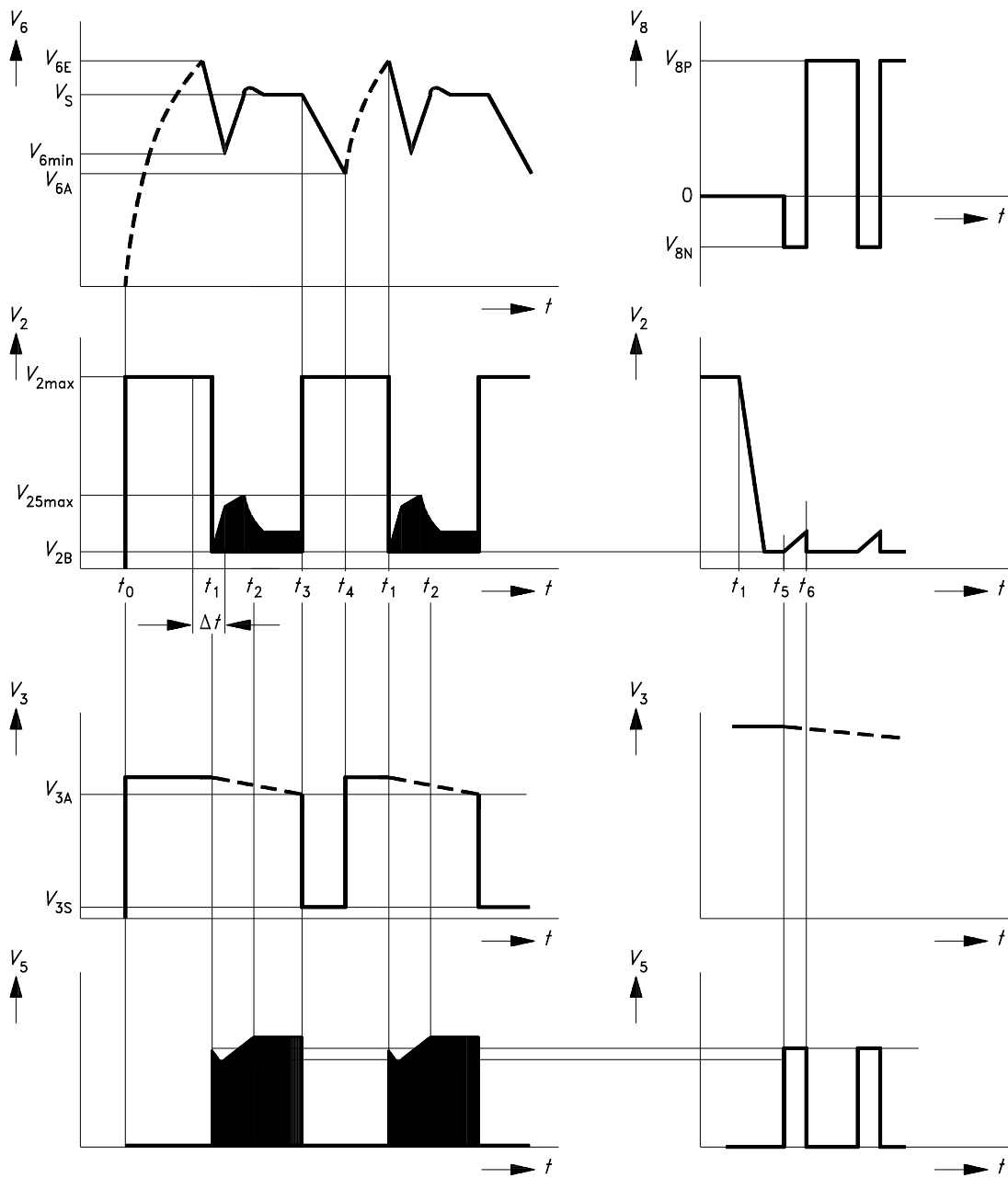


UES00493

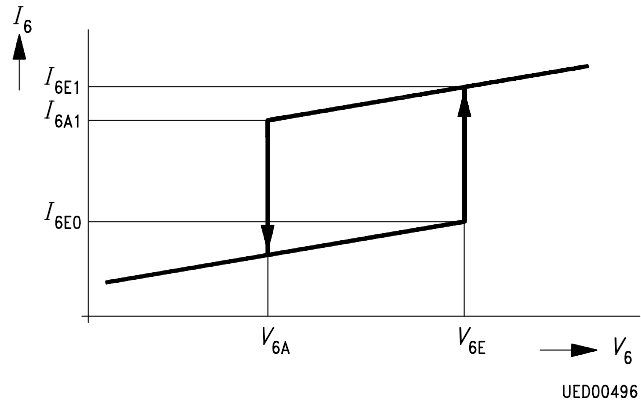
Application Circuit

Diagrams

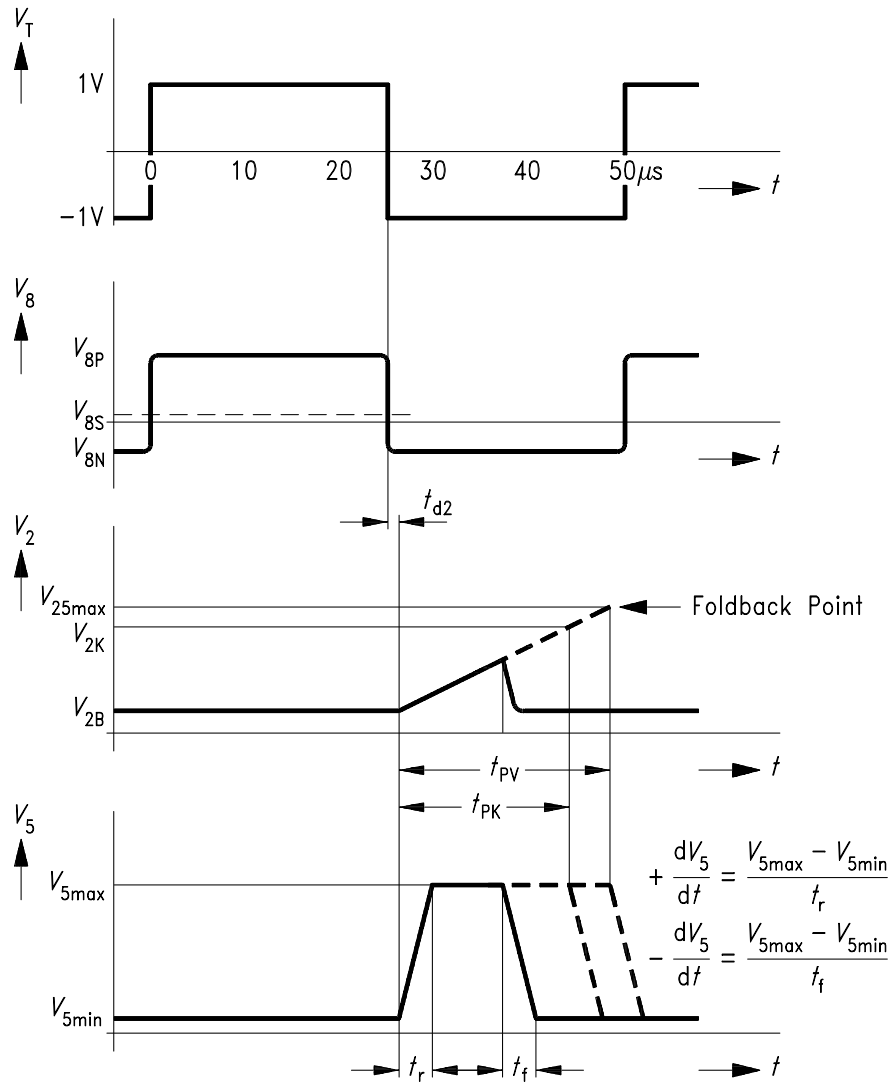




UED00495



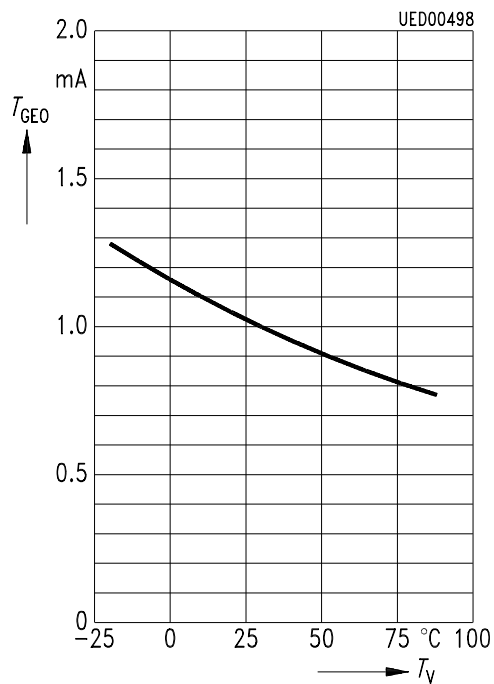
Start-Up Hysteresis



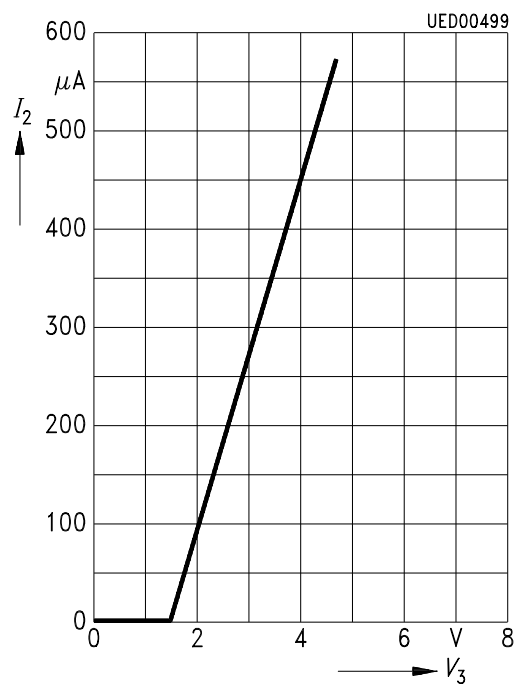
UED03859

Operation in Test Circuit 2

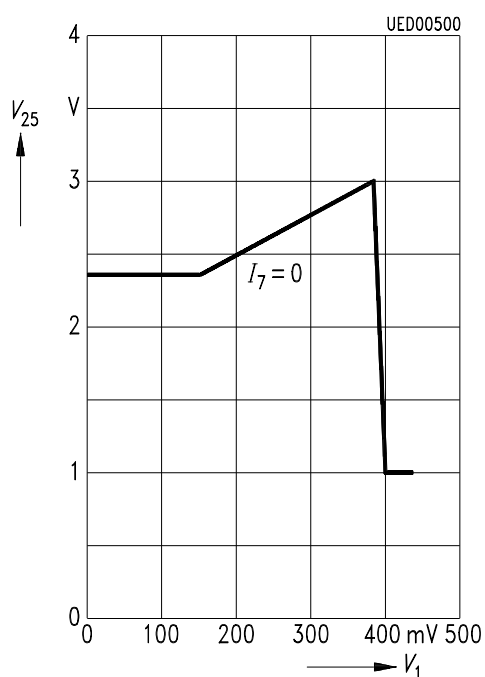
Start-Up Current as a Function of the Ambient Temperature



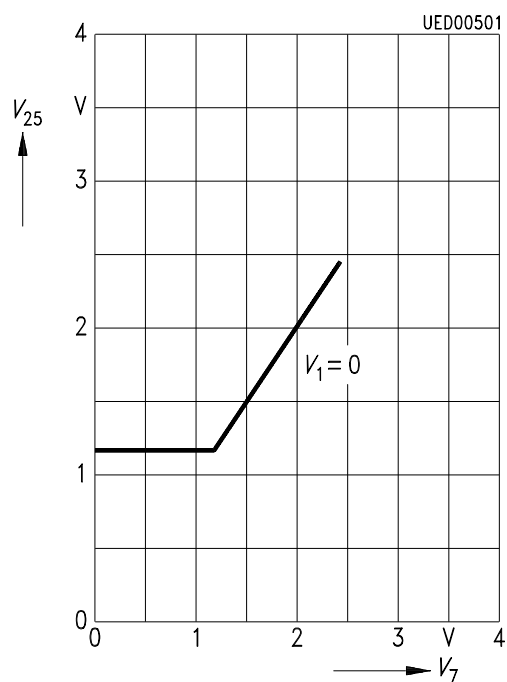
Overload Point Correction as a Function of the Voltage at Pin 3



Peak Value of the Primary Current Reproduction Voltage as a Function of the Regulating Voltage

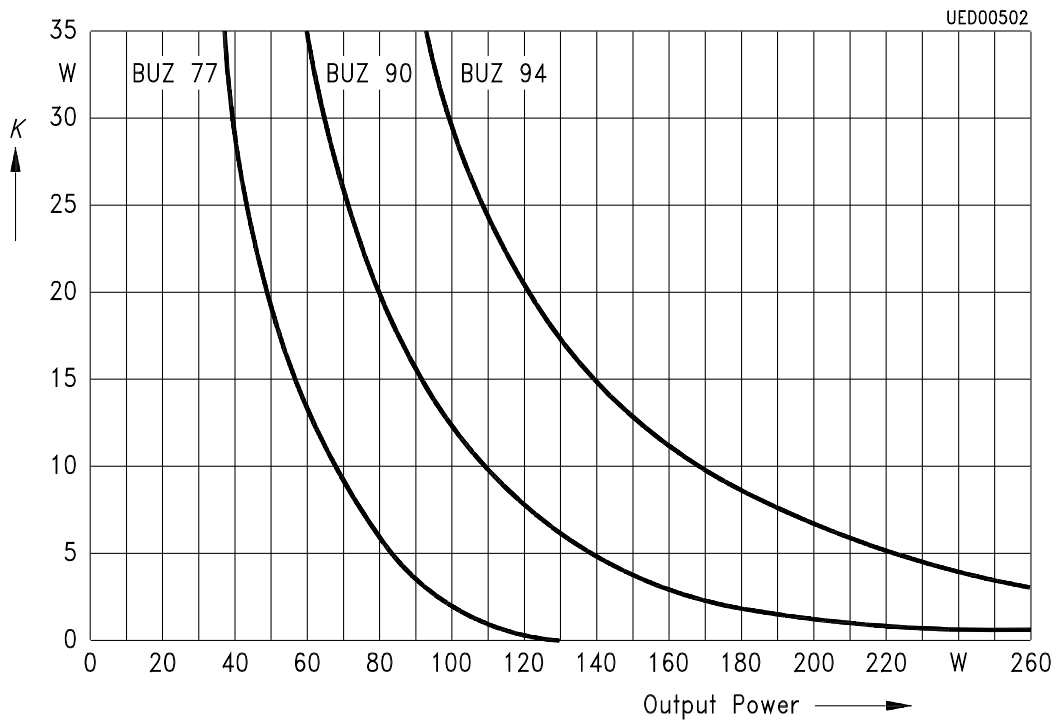


Peak Value of the Primary Current Reproduction Voltage by Loading Pin 7

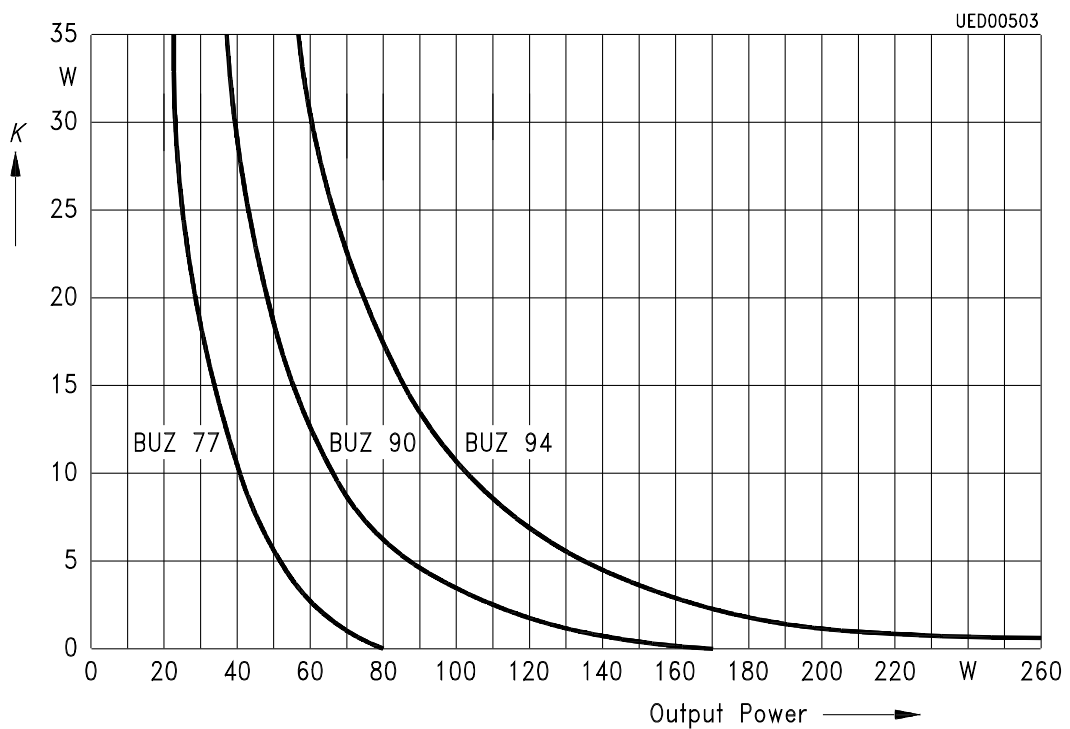


Recommended Heat Sink by 60 °C Ambient Temperature

Narrow Range 180 V ... 270 V ~



Narrow Range 180 V ... 270 V ~



This datasheet has been download from:

www.datasheetcatalog.com

Datasheets for electronics components.