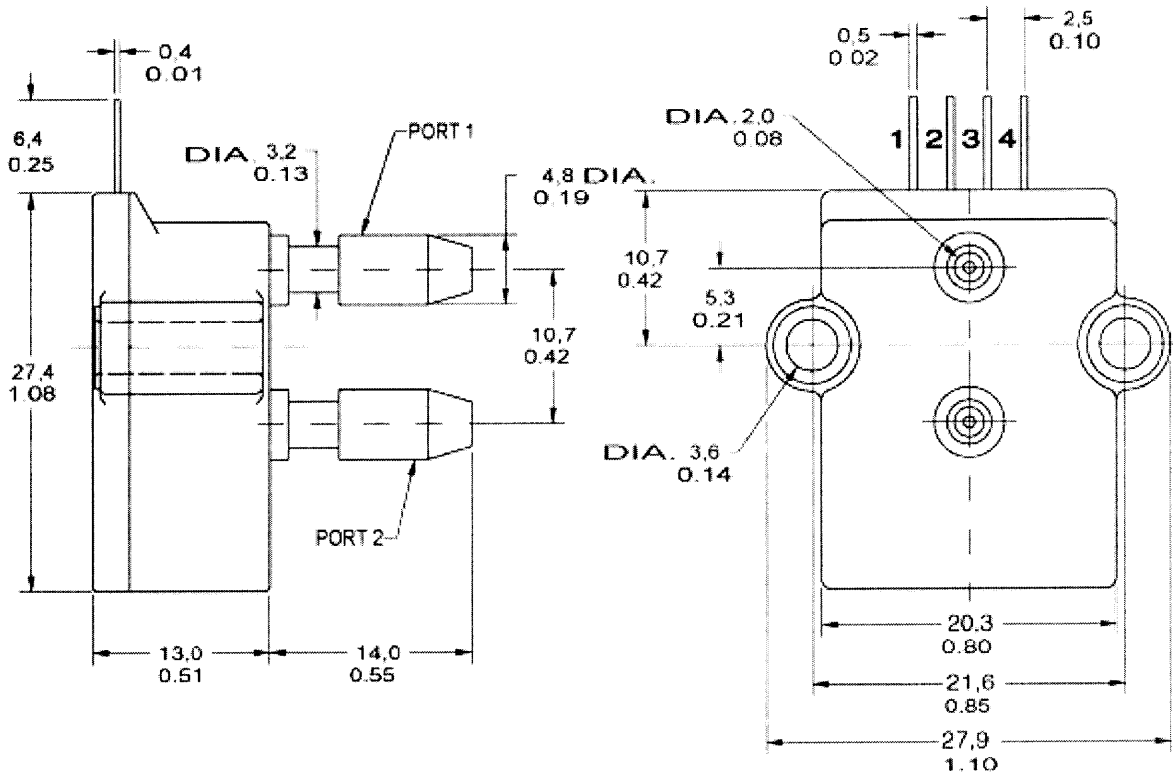


Note 2	hysteresis, and repeatability
Series Name	DC Series

Honeywell

DC001NDC4

Pressure Sensors: Measurement Type: Bidirectional Gage, Differential; Signal Conditioning: Amplified; Pressure Range: ± 1.0 in H₂O; Port Style: Barbed



Honeywell

DC001NDC4

Pressure Sensors: Measurement Type: Bidirectional Gage, Differential; Signal Conditioning: Amplified; Pressure Range: ± 1.0 in H₂O; Port Style: Barbed

