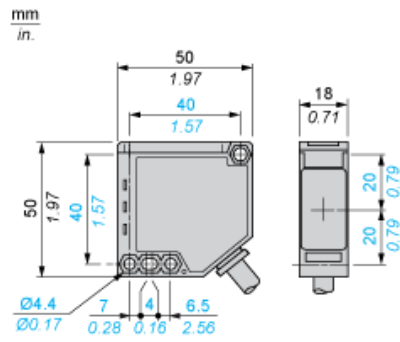
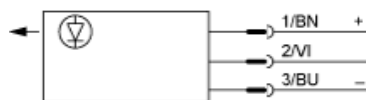


Dimensions



Wiring Schemes

Transmitter



BN : Brown

BU : Blue

VI : Violet

Input 2/VI:

- not connected: beam made

- connected to -: beam broken