

## 8911 WIRELESS ACCELEROMETER

LoRaWAN™ 868/915MHz

### ENVIRONMENTAL SPECIFICATIONS

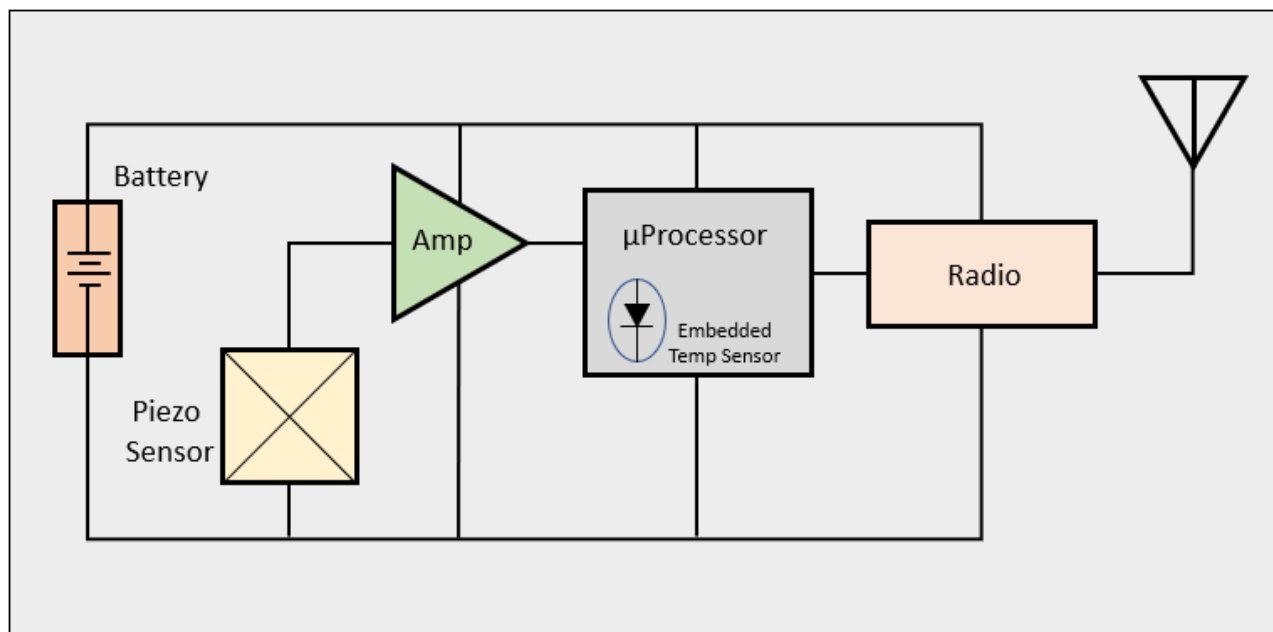
Parameter	Symbol	Min	Typ	Max	Unit	Notes/Conditions
Operating temperature		-20		60	°C	
Storage temperature		-40		120	°C	Without battery
Ambient humidity		0		95	%	Non-condensing
EMI/RFI/ESD protection			IEC61000-4-2, ICE61000-4-6			
Ingress protection	IP			66		
Media compatibility			External exposed surfaces: 316L stainless steel POM polymer EPDM o-ring			
Weight			200		grams	

### COMMUNICATION SPECIFICATIONS

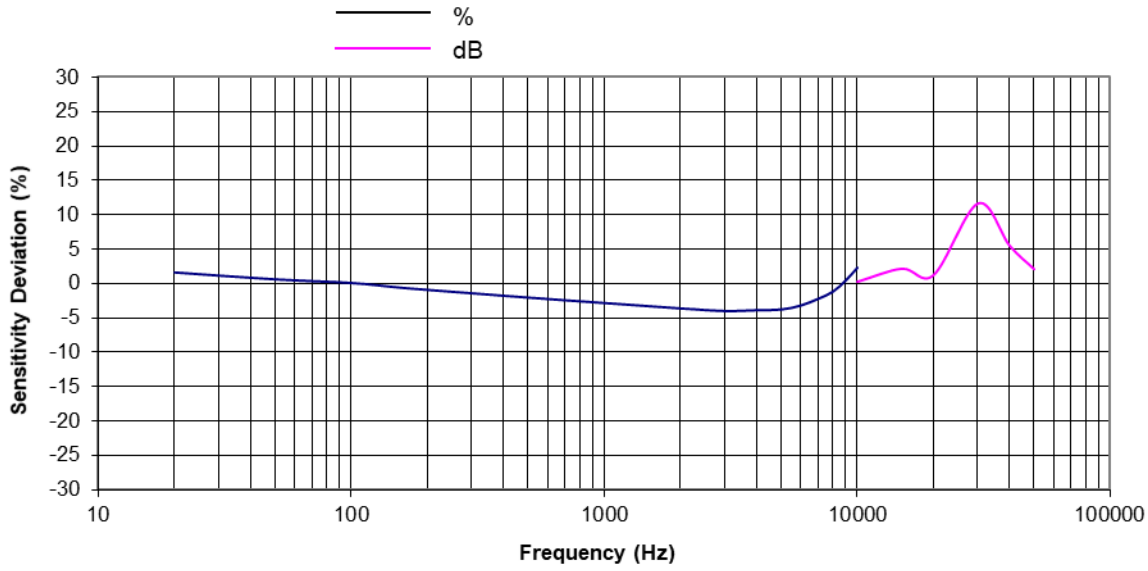
Parameter	Symbol	Min	Typ	Max	Unit	Notes/Conditions
Wireless protocol		LoRaWAN™ Class A				
Operating freq (region) <sup>(1)</sup>			868 (EU) 915 (USA)		MHz	Other frequencies available Contact factory
Transmit power			12	14	dBm	
Receiver sensitivity			-131	-137	dBm	
Activation		OTAA				
Activation keys		Factory defined				Custom keys available Contact factory

<sup>(1)</sup>Each operating frequency is part number specific

### BLOCK DIAGRAM



**TYPICAL ACCELEROMETER FREQUENCY RESPONSE CURVE**



**TYPICAL TEMPERATURE RESPONSE CURVE**

